



FEATURES

Indoor and outdoor usage
IP66 rated wet location
>50,000 hours

APPLICATIONS

Landscape areas
Wall applications
Commercial areas
Industrial areas
Office Buildings
Shopping Malls



CONSTRUCTION

Housing is aluminum and glass. Die-cast aluminum cooling design, high quality, and better cooling for LED Tj <85°C

MOUNTING

Knuckle or trunnion mount options.

ELECTRICAL AND OPTICAL

Lumileds LED chips. Excellent optics design for light utilization.

CERTIFICATION AND WARRANTY

5-year warranty. cUL, DLC, FCC, CE, RoHS





ORDERING EXAMPLE: 235-FL-70-50 BRZ-K

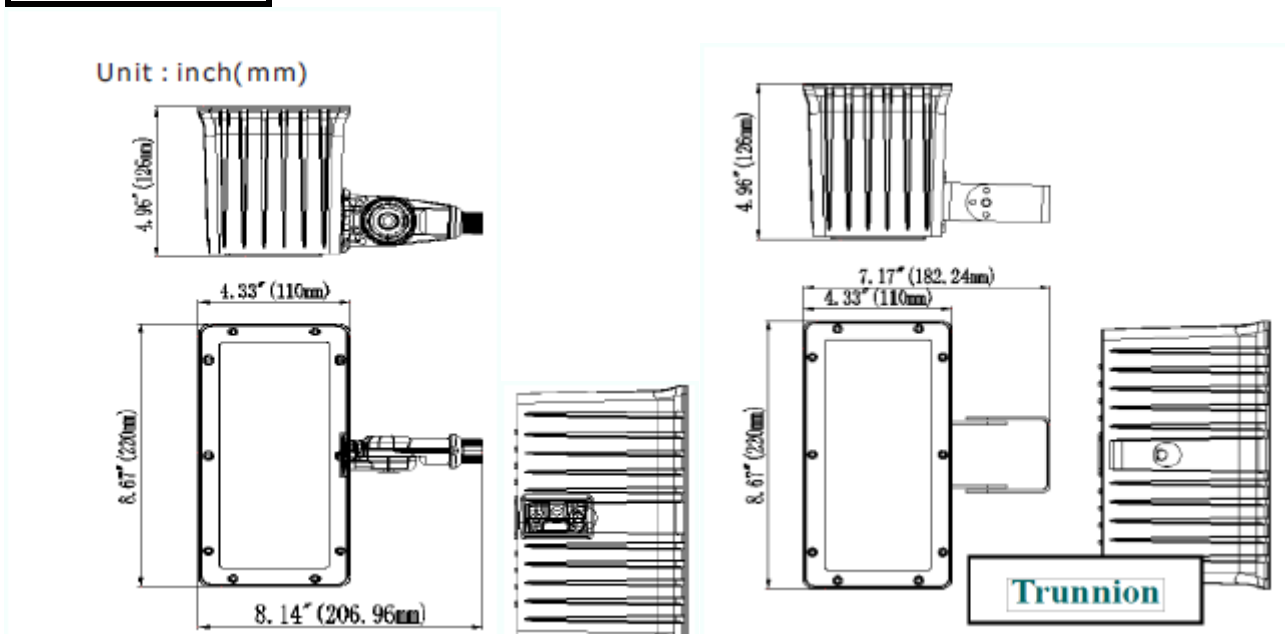
FORM FACTOR	WATTAGE (TUNABLE)	CCT (TUNABLE)	VOLTAGE	COLOR	MOUNT
235-FL=Flood Light	70=70W	40=4000K 50=5000K	[Blank]=100-277V	BRZ=Dark Bronze BLK=Black WH=White	K=Knuckle T=Trunnion

TECHNICAL PARAMETERS

FIXTURE	235-FL-70
Wattage	70W
Input Voltage (AC)	100-270V
Luminous Flux	8400lm
Lighting Angle	80°
CRI	Ra>70
CCT	4000K / 5000K
Power Factor	>.95
IP66 Rating	Dust tight and protected against strong jets of water
Operating Temperature	-22°F to 113°F (-30°C to 45°C).

PRODUCT DIMENSIONS (with mount types)

Knuckle Mount





PHOTOMETRIC

