



LED LINEAR HIGH BAY LUMINAIRE



FEATURES

- IP40 Rated
- Default CCT 5000K
- DC 12V auxiliary
- Easy installation
- Easy maintenance
- 100,000 hours lifetime

APPLICATIONS

- Exhibition Halls
- Factories
- Logistic Centers
- Supermarkets
- Warehouses

CONSTRUCTION

Die formed galvanized steel, white paint. Isolated driver with wide voltage input option. Frosted PMMA lens. Clean lens special order.

ELECTRICAL

Available as 120-277V input. Operating temperature -4°F to 104°F (-20°C to 40°C).

OPTICAL SYSTEM

LED chips. 120° beam angle options.

INSTALLATION AND MOUNTING

Surface mount, hanging hook, or pendant mount

CONTROLS AND DIMMING

0-10V dimming comes standard. Suitable for use with LED dimmers. Optional emergency battery backup, microwave motion sensor, and remote control.

CERTIFICATION AND WARRANTY

DLC Listed Premium and UL Certified. 5-year limited warranty. Actual performance may differ as a result of end-user environment and application.





ORDERING EXAMPLE: 120-2LHB-160-50-27V-DIM

FORM FACTOR	WATTAGE	CCT	VOLTAGE	DIMMING	MOUNT TYPE	ACCESSORIES
120-2LHB=2 FT Linear High Bay	110=110W 160=160W	50=5000K	27V=120-277V	DIM=0-10V Continuous Dimming	[Blank]=No Mount SM=Surface Mount RM=Recessed Mount HK=Hanging Kit	[Blank]=No Accessory EM=Emergency Driver MS= Motion Sensor RC=Remote Control
120-4LHB=4 FT Linear High Bay	160=160W 220=220W 320=320W					

TECHNICAL PARAMETERS

2 FT LINEAR HIGH BAY

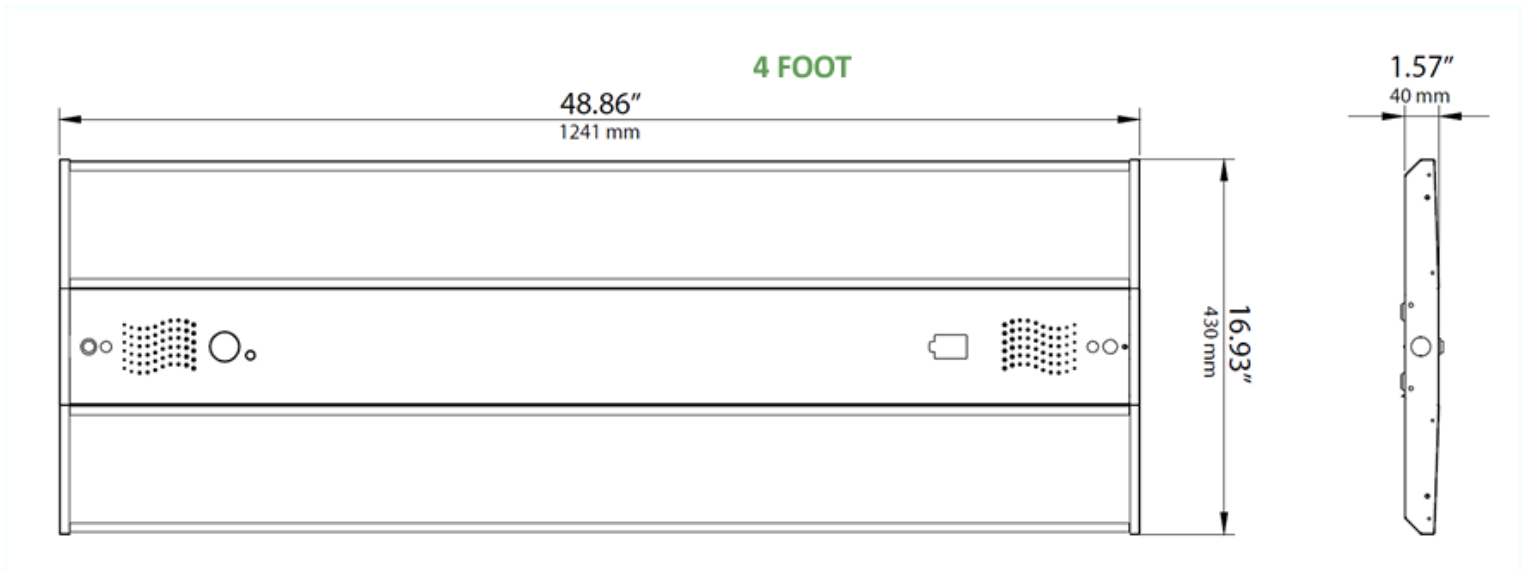
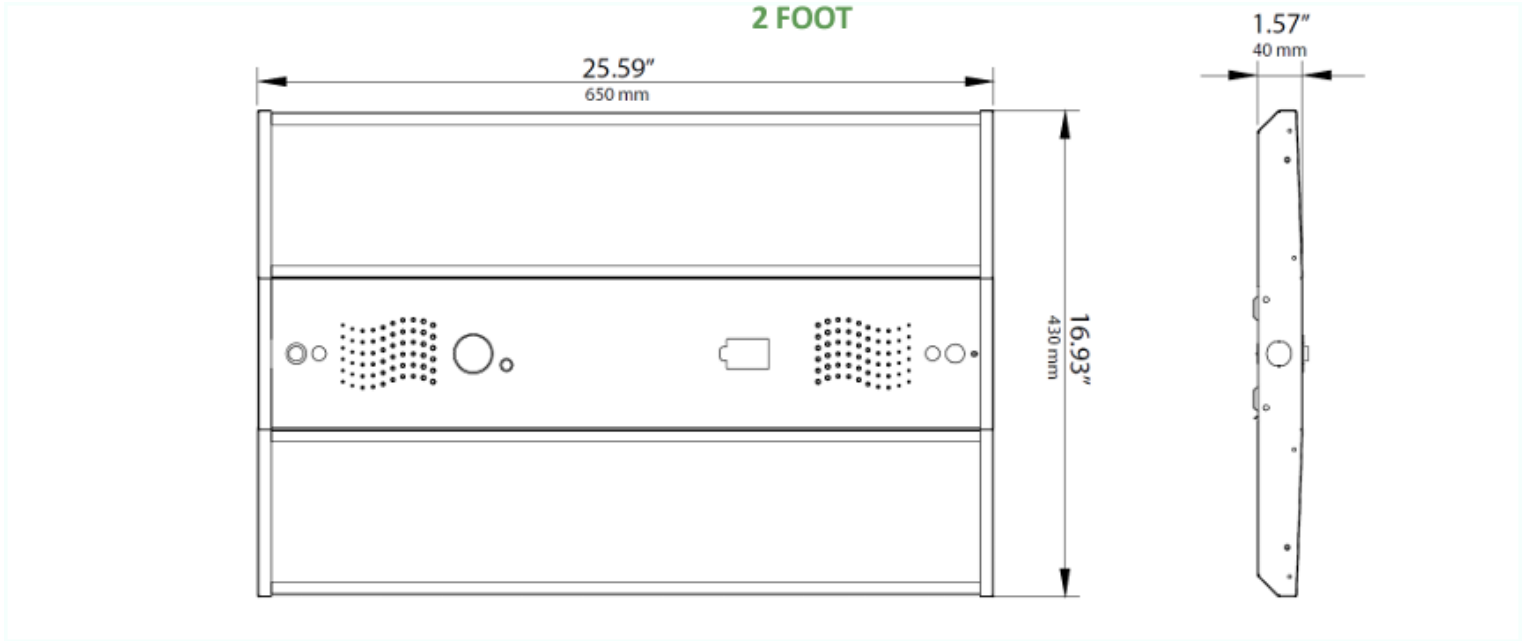
FIXTURE	120-2LHB-110-50-27V-DIM	120-2LHB-160-50-27V-DIM
Input Voltage (AC)	120V-277V	120V-277V
Rated Wattage	110W	160W
Delivered Lumens	15,290lm	22,080lm
Efficacy	139lm/W	138lm/W
CRI	80	80
CCT	5000K	5000K
Lifespan (Hours)	100,000	100,000
Power Factor	.90	.90
THD	20%	20%
Dimming	0-10V Continuous Dimming	
IP40 Rating	Protected from tools and small wires greater than 1 mm	
Operating Temperature	-4°F to 104°F (-20°C to 40°C).	

4 FT LINEAR HIGH BAY

FIXTURE	120-4LHB-160-50-27V-DIM	120-4LHB-220-50-27V-DIM	120-4LHB-320-50-27V-DIM
Input Voltage (AC)	120V-277V	120V-277V	120V-277V
Rated Wattage	160W	220W	320W
Delivered Lumens	22,240lm	30,580lm	44,160lm
Efficacy	139lm/W	139lm/W	138lm/W
CRI	80	80	80
CCT	5000K	5000K	5000K
Lifespan (Hours)	100,000	100,000	100,000
Power Factor	.90	.90	.90
THD	20%	20%	20%
Dimming	0-10V Continuous Dimming		
IP40 Rating	Protected from tools and small wires greater than 1 mm		
Operating Temperature	-4°F to 104°F (-20°C to 40°C).		



PRODUCT DIMENSIONS



MOUNTING OPTIONS

Pendant Mount



Chain & Hook

