



LED Troffer Multi Wattage Multi CCT



1x4 – 15W / 19W / 24W / 29W



2x2 – 15W / 19W / 24W / 29W



2x4 – 24W / 29W / 32W / 39W

FEATURES

- IP20 rated
- Glare-free lighting
- 100,000 hours lifetime

APPLICATIONS

- Offices
- Schools
- Supermarkets
- Schools
- Warehouses
- Logistic Centers
- Exhibition Halls

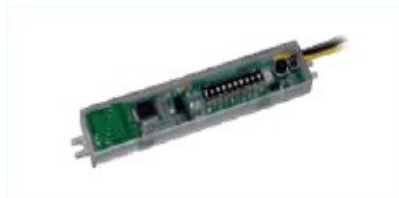


CONSTRUCTION Steel and aluminum frame. Matte white finish. The entire fixture functions as a heat sink to keep the LED's cooler to prolong the life of the light.	CONTROLS AND DIMMING 0-10V dimming. Suitable for use with LED dimmers.
OPTICAL SYSTEM Samsung 2835 LED chips. 110° beam angle.	INSTALLATION AND MOUNTING Fits most pre-existing troffers. Surface mount kit and recessed kit.
ELECTRICAL 120-277V input. -20°C to 50°C (-4°F to 122°F).	WARRANTY 5-year limited warranty. Actual performance may differ as a result of end-user environment and application.

OPTIONAL ACCESSORIES



Built-in Emergency Back-up Driver
120-EMBU-15W-050



Bi-level Daylight
Harvesting Microwave
120-MS-TR-ACDHM

MOUNTING OPTIONS



Surface Mount
120-MTU-FP/TR-S14
120-MTU-FP/TR-S22
120-MTU-FP/TR-S24



Recessed Mount
120-MT-TR-R14
120-MTU-FP/TR-R22
120-MT-TR-R24



LED Troffer Multi Wattage Multi CCT

Part Number 120-14TRXX-29-50-DIM

WATTAGE SELECTABLE	CCT SELECTABLE	LUMENS	EFFICACY	VOLTAGE	CRI	POWER FACTOR	THD	REPLACES
15W	3500K/4000K/5000K	1,938LM	129.2lm/W	120-277V	80	.9	20%	150W HID
19W	3500K/4000K/5000K	2,454.8LM	129.2lm/W	120-277V	80	.9	20%	150W HID
24W	3500K/4000K/5000K	3,100.8LM	129.2lm/W	120-277V	80	.9	20%	150W HID
29W	3500K/4000K/5000K	3,746.8LM	129.2lm/W	120-277V	80	.9	20%	150W HID

Part Number 120-22TRXX-29-50-DIM

WATTAGE SELECTABLE	CCT SELECTABLE	LUMENS	EFFICACY	VOLTAGE	CRI	POWER FACTOR	THD	REPLACES
15W	3500K/4000K/5000K	1,942.5LM	129.5lm/W	120-277V	80	.9	20%	150W HID
19W	3500K/4000K/5000K	2,460.5LM	129.5lm/W	120-277V	80	.9	20%	150W HID
24W	3500K/4000K/5000K	3,108LM	129.5lm/W	120-277V	80	.9	20%	150W HID
29W	3500K/4000K/5000K	3,755.5LM	129.5lm/W	120-277V	80	.9	20%	150W HID

Part Number 120-24TRXX-39-50-DIM

WATTAGE SELECTABLE	CCT SELECTABLE	LUMENS	EFFICACY	VOLTAGE	CRI	POWER FACTOR	THD	REPLACES
24W	3500K/4000K/5000K	3,040.8LM	126.7lm/W	120-277V	80	.9	20%	200W HID
29W	3500K/4000K/5000K	3,674.3LM	126.7lm/W	120-277V	80	.9	20%	200W HID
32W	3500K/4000K/5000K	4,054.4LM	126.7lm/W	120-277V	80	.9	20%	200W HID
39W	3500K/4000K/5000K	4,941.3LM	126.7lm/W	120-277V	80	.9	20%	200W HID

Part Number 120-22TRXX-29-50-DIM-VEM

WATTAGE SELECTABLE	CCT SELECTABLE	LUMENS	EFFICACY	VOLTAGE	CRI	POWER FACTOR	THD	REPLACES
15W	3500K/4000K/5000K	1,942.5LM	129.5lm/W	120-277V	80	.9	20%	150W HID
19W	3500K/4000K/5000K	2,460.5LM	129.5lm/W	120-277V	80	.9	20%	150W HID
24W	3500K/4000K/5000K	3,108LM	129.5lm/W	120-277V	80	.9	20%	150W HID
29W	3500K/4000K/5000K	3,755.5LM	129.5lm/W	120-277V	80	.9	20%	150W HID

Part Number 120-24TRXX-39-50-DIM-VEM

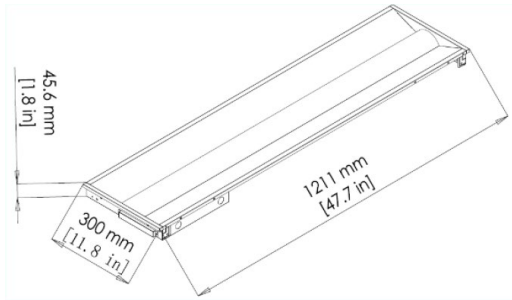
WATTAGE SELECTABLE	CCT SELECTABLE	LUMENS	EFFICACY	VOLTAGE	CRI	POWER FACTOR	THD	REPLACES
24W	3500K/4000K/5000K	3,040.8LM	126.7lm/W	120-277V	80	.9	20%	200W HID
29W	3500K/4000K/5000K	3,674.3LM	126.7lm/W	120-277V	80	.9	20%	200W HID
32W	3500K/4000K/5000K	4,054.4LM	126.7lm/W	120-277V	80	.9	20%	200W HID
39W	3500K/4000K/5000K	4,941.3LM	126.7lm/W	120-277V	80	.9	20%	200W HID



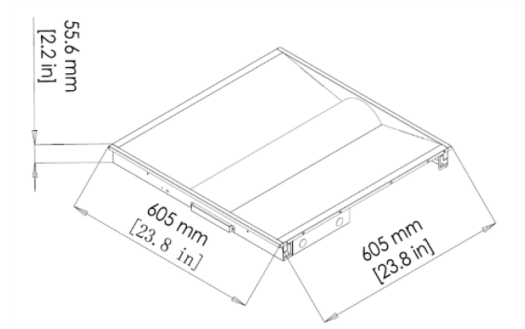
LED Troffer Multi Wattage Multi CCT

PRODUCT DIMENSIONS

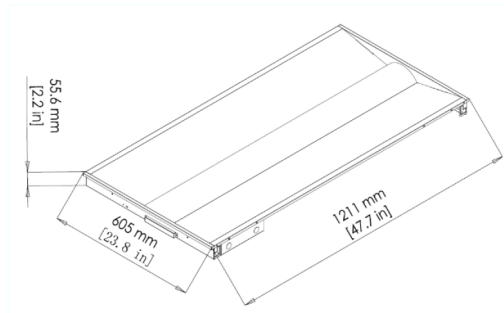
1x4



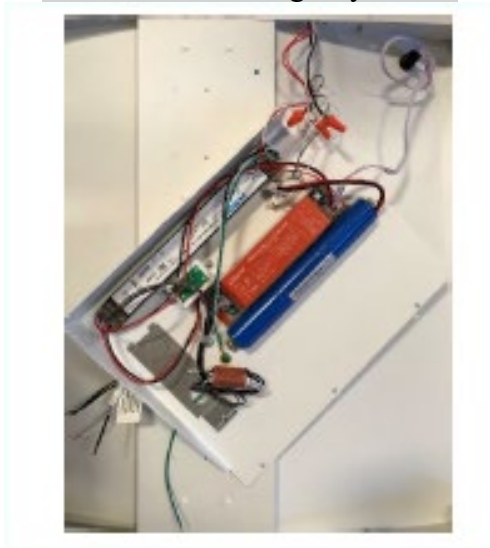
2x2



2x4



Built-in 15W Emergency Driver



Emergency Test Button

