



FEATURES

Eliminates the need to replace existing luminaire housing.
 Reduces install time.
 Reduces disposal and removal costs.
 Default wattage is the highest wattage

- 1x4 – 29W
- 2x2 – 29W
- 2x4 – 39W

Default CCT: 5,000K
 Glare-free lighting.
 100,000 hours

APPLICATIONS

- Exhibition Halls
- Factories
- Hospitals
- Logistic Centers
- Office Buildings
- Schools
- Supermarkets

CONSTRUCTION

Steel and aluminum frame. Matte white finish. The entire luminaire functions as a heat sink to keep the LEDs cooler to prolong the life of the light.

ELECTRICAL

Universal voltage 120-277V. 4°F to 122°F (-20°C to 50°C).

OPTICAL SYSTEM

Samsung 2835 LED chips. 150° beam angle.

INSTALLATION AND MOUNTING

Fits most pre-existing troffers. Surface mount kit and recessed kit.

CONTROLS AND DIMMING

0-10V dimming comes standard. Suitable for use with LED dimmers. 15W and 20W Emergency Drivers available.

CERTIFICATION AND WARRANTY

DLC Premium, UL Listed. 5-year limited warranty. Actual performance may differ as a result of end-user environment and application.





ORDERING EXAMPLE: 120-24TRKXX-39-50-DIM-EM15

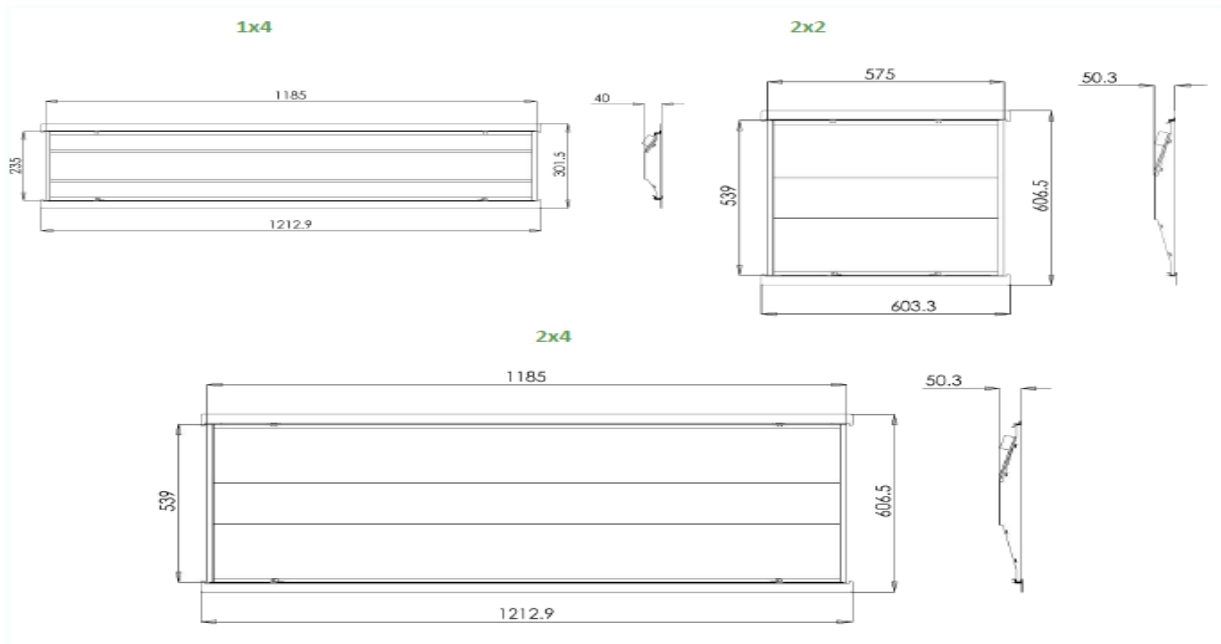
FORM FACTOR	WATTAGE (TUNABLE)	CCT (TUNABLE)	DIMMING	VOLTAGE	MOUNT TYPE	ACCESSORIES
14TRKXX=1x4 Troffer Retrofit Kit	29=15/19/24/29W	50=3500K 4000K 5000K	DIM=0-10V	[Blank]=120-277V	[Blank]=None SM=Surface mount RM=Recessed mount	[Blank]=None EM15=15W Emergency Backup Driver EM20=20W Emergency Backup Driver
22TRKXX=2x2 Troffer Retrofit Kit	29=15/19/24/29W					
24TRKXX=2x4 Troffer Retrofit Kit	39=24/29/32/39W					

*Please contact sales rep. for information regarding the emergency back-up driver.

TECHNICAL PARAMETERS

FIXTURE	14TRKXX-TW-29-TK-DIM				22TRKXX-TW29-TK-DIM				24TRKXX-TW39-TK-DIM			
Rated Wattage	15W	19W	24W	29W	15W	19W	24W	29W	24W	29W	32W	39W
Delivered Lumens (lm)	2103	2664	3365	4066	2103	2664	3365	4066	3247	3923	4329	5277
Efficacy	140.24lm/W				140.24lm/W				135.29lm/W			
CRI	80				82.6				82.7			
Lifespan (Hours)	100,000											
Operating Temperature	4°F to 122°F (-20°C to 50°C).											
Power Factor	.9				.9758				.966			
THD	10%				10.78%				7.03%			

PRODUCT DIMENSIONS



PHOTOMETRIC DATA will be provided on request.