



### FEATURES

Indoor or outdoor use. Suitable for dimmers, emergency battery backups, motion sensors, and remote control for sensors.

### APPLICATIONS

- Limitless*
- Factories
- Gymnasiums
- Manufacturing
- Retail
- Storage Areas
- Warehouse Spaces

### CONSTRUCTION

Heavy gauge die-cast round aluminum alloy housing. Hinged aluminum door frame with stainless steel hardware. Corrosion resistant electrocoat matt black finish. Advanced aluminum heat sink which provides excellent thermal transfer to extend component life. Built rugged for outdoor environment

### ELECTRICAL

Luminaire is built with the highest quality UL Class 1 AC 120-277V Universal Drivers and 200-480V Drivers with constant current. High power factor, low THD driver with 6kV/3kA surge protection. Water-resistant LED chips. Instant on/off flicker-free, Cold Start and Hot Restart.

### OPTICAL SYSTEM

Philips SMD 3030 LED chips. Anti-UV clear polycarbonate lens. Available 90° aluminum (as shown above) or acrylic (polycarbonate) reflector.

### INSTALLATION AND MOUNTING

Fixture comes standard hook for suspension mount. Optional fixed lamp body mount available.

### CONTROLS AND DIMMING

Suitable for use with dimmers (0-10V) and Remote Monitoring and ON/OFF Control. Optional IR Motion Sensor and 0kv/10Ka Surge Protector. Optional 90-minute 200-480V Microwave Emergency Battery Backup useful in aisle ways and exits.

### CERTIFICATION AND WARRANTY

DLC Premium and ETL (wet listed on QPL), FCC, IP65 Rated and RoHS. 7-year warranty.





ORDERING EXAMPLE: 076-UFO-150-50-27V-EM  
 FORM FACTOR: 076-UFO

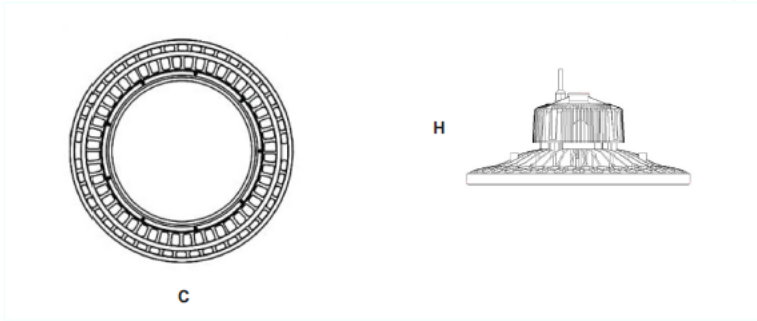
WATTAGE	CCT	VOLTAGE	OPTIONAL CONTROLS	*SURGE PROTECTOR	REFLECTOR	MOUNT	COLOR
100=100W 150=150W 200=200W 240=240W	40=4000K 50=5000K 60=6000K	27V=120-277V 48V=200-480V	[Blank]=None EM=Emergency Battery Back-up IR=Infrared Motion Sensor	[Blank]=6kV Surge Protector SP10=10kV Surge Protector SP20=20kV Surge Protector	[Blank]=No Reflector AC=Acrylic 90° AL9=Alum 90°	[Blank]=Hook U= Surface Mount Bracket	[Blank]=Black BR=Bronze WH=White

\*SP10 & SP20 not included in UL, DLC certification

TECHNICAL PARAMETERS

FIXTURE	100W	150W	200W	240W
Input Voltage (AC)	120-277V	120-277V / 200-480V	120-277V	120-277V / 200-480V
Power Frequency	50/60 Hz	50/60 Hz	50/60 Hz	50/60 Hz
Efficacy	130lm/W	130lm/W	130lm/W	130lm/W
Delivered Lumens	14,428lm	20,780lm	27,257lm	33,095lm
CCT (Kelvin)	4000K / 5000K / 6000K	4000K / 5000K / 6000K	4000K / 5000K / 6000K	4000K / 5000K / 6000K
CRI	>80	>80	>80	>80
Beam Angle	60° / 80° / 130°	60° / 80° / 130°	60° / 80° / 130°	60° / 80° / 130°
Working Temperature	-40°C to 50°C	-40°C to 50°C	-40°C to 50°C	-40°C to 50°C
Storage Temperature	-40°C to 60°C	-40°C to 60°C	-40°C to 60°C	-40°C to 60°C
IP Rating	IP65	IP65	IP65	IP65
LED Driver	Sosen dimmable	Sosen dimmable	Sosen dimmable	Sosen dimmable
Dimmable (if, installed)	0-10V	0-10V	0-10V	0-10V
LED Driver Rating	IP67	IP67	IP67	IP67
LED Chip Type / Quantity	Philips SMD 3030 / 161	Philips SMD 3030 / 224	Philips SMD 3030 / 322	Philips SMD 3030 / 364
LED Optics IP Rating	IP68	IP68	IP68	IP68
Lifespan (Hours)	80,000	80,000	80,000	80,000
Power Factor	>0.95	<0.95	>0.95	>0.95
THD	≥10%	≥10%	≥10%	≥10%
Certification	ETL, CE, FCC, DLC Premium	ETL, CE, FCC, DLC Premium	ETL, CE, FCC, DLC Premium	ETL, CE, FCC, DLC Premium
Laboratory Testing	LM79 / LM 80 / LM 90	LM79 / LM 80 / LM 90	LM79 / LM 80 / LM 90	LM79 / LM 80 / LM 90
Warranty	7-year	7-year	7-year	7-year
Optional Accessories	IR Motion Sensor, 0Ka/10Ka Surge Protector, Reflector (Acrylic or Aluminum), and Emergency Battery Back-up.	IR Motion Sensor, 0Ka/10Ka Surge Protector, Reflector (Acrylic or Aluminum), and Emergency Battery Back-up.	IR Motion Sensor, 0Ka/10Ka Surge Protector, Reflector (Acrylic or Aluminum), and Emergency Battery Back-up.	IR Motion Sensor, 0Ka/10Ka Surge Protector, Reflector (Acrylic or Aluminum), and Emergency Battery Back-up.

PRODUCT DIMENSIONS – All Models 16.53”C x 8.66”H (with mount)



MOUNTING OPTIONS



Standard



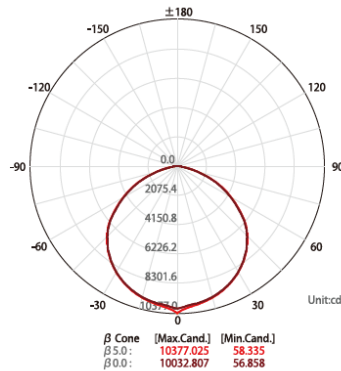
U Adjustable Bracket for Surface Mount

REFLECTOR OPTIONS



Acrylic 90°  
Aluminum 90°

PHOTOMETRICS



H Cone Distribution Diagram