



SPECIFICATION SHEET LED UFO EMERGENCY BACK-UP DRIVER 100-347V

FEATURES

- 100-347V
- 90-minute Emergency Operation
- One Piece Design with Metal Housing
- Integrated Junction Box
- Emergency Output to LED Driver AC Input
- Low Energy Consumption
- Constant Output Power
- Self-Testing

ORDERING INFORMATION

144-LEDEMB-UFO347

ACCESSORIES (sold separately)

144-RC-UFO Remote Control

144-PGC-UFO



Application: 25W for 100W and 150W UFO High Bay with Dimming

Application: 40W for 10W-300W UFO High Bay with Dimming

SPECIFICATION

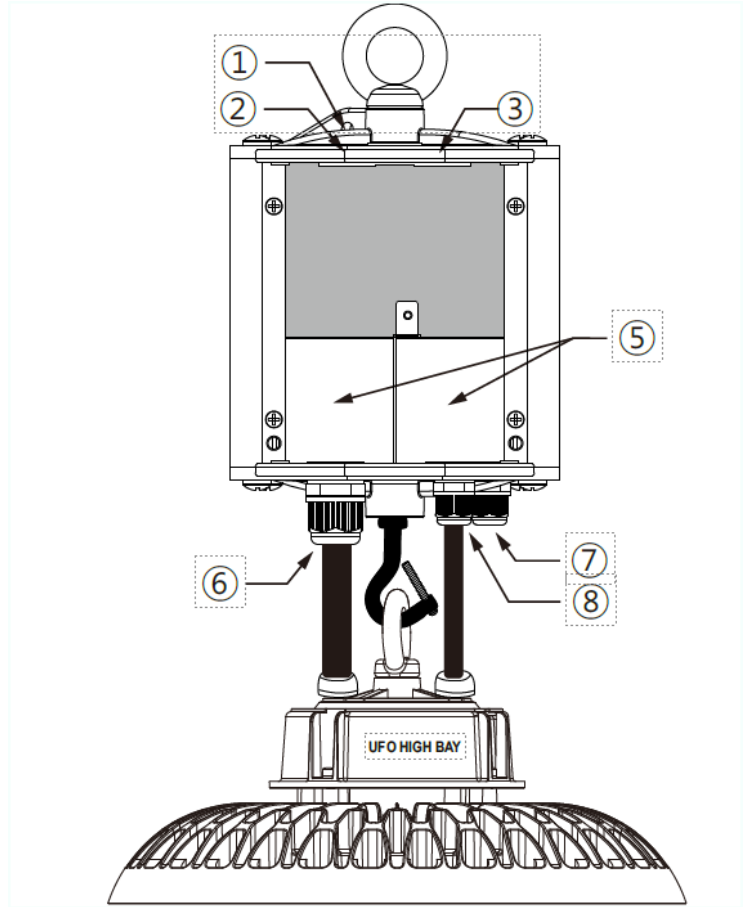
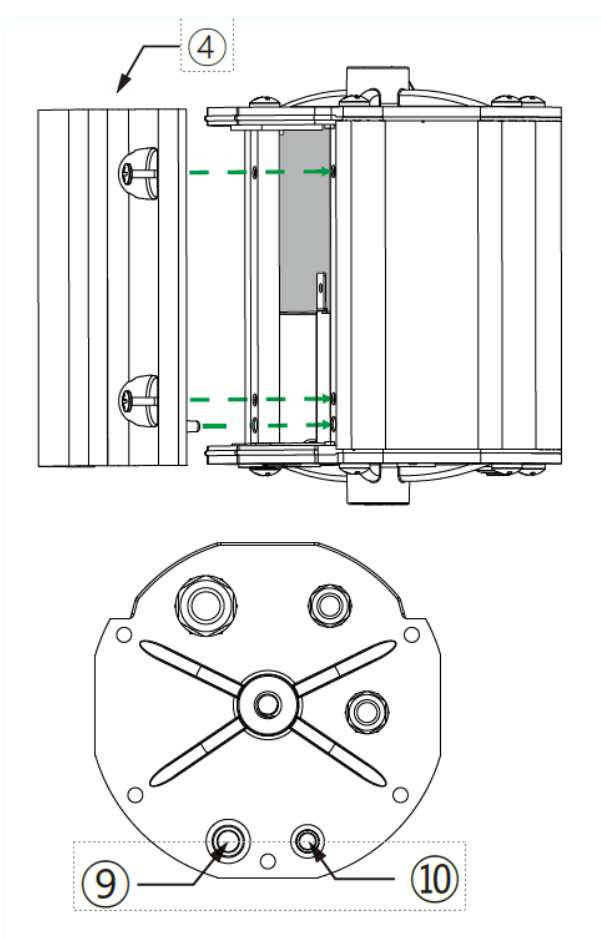
Input Voltage	100-347V, 50/60Hz
Input Power	12Watts Max.
Power Voltage	170Vdc
EMI (Radiated and Conducted)	FCC Class A (charge and emergency modes)
Input Current	200mA Maximum
Emergency Power	25W 40W
Recharge Time	24 Hours
Surge Protection	ANSI/EEE C62.41.2-2002
Battery	Lithium
Operating Temperature	0-50°C (32-122°F)
Size	L6.8" x H5.47" (173mm x 139mm)
Warranty	5 Year Full Warranty

CERTIFICATION - COMPLIANCE - RATINGS

- UL924
- CEC Title 20
- NFPA 70
- NFPA 101



AVAILABLE IN 277-480V



EMERGENCY LED BACK-UP DRIVER DIAGRAM

- ① Safety Rope Interface
- ② AC Input Wire Interface
- ③ Dimming Wire Interface
- ④ Integrated Junction Box Cover
- ⑤ Junction Box
- ⑥ Sensor Wire Interface
- ⑦ LED Driver Input Wire
- ⑧ LED Driver Dimming Wire
- ⑨ 1/2" NPT - Charge Indicator and Test Switch
- ⑩ 1/2" NPT - Signal Receiver

ACCESSORIES

144-RC-UFO



144-PGC-UFO

2pcs 0.118-0.248"(3-6.3mm)

3pcs 0.196-0.393"(5-10mm)

