



# SPECIFICATION SHEET LED UFO EMERGENCY BACK-UP DRIVER 277V-480V

## FEATURES

- 277V-480V
- 90-minute Emergency Operation
- One Piece Design with Metal Housing
- Integrated Junction Box
- Emergency Output to LED Driver AC Input
- Low Energy Consumption
- Constant Output Power
- Self-Testing

## ORDERING INFORMATION

144-EMB-UFO-480

## ACCESSORIES (sold separately)

144-RC-UFO-RC

144-CO-UFO-PGC Connectors

## SPECIFICATION

|                              |  |
|------------------------------|--|
| Input Voltage                | 277-480V, 50/60Hz                        |
| Input Power                  | 12Watts Max.                             |
| Power Voltage                | 310-500Vdc                               |
| EMI (Radiated and Conducted) | FCC Class A (charge and emergency modes) |
| Input Current                | 200mA Max.                               |
| Recharge Power               | 12W                                      |
| Emergency Power              | 40W                                      |
| Recharge Time                | 24 Hours                                 |
| Surge Protection             | ANSI/EEE C62.41.2-2002                   |
| Battery                      | Lithium                                  |
| Operating Temperature        | 0-50°C (32-122°F)                        |
| Size                         | L6.8" x H5.47" (173mm x 139mm)           |
| Warranty                     | 5 Year Full Warranty                     |

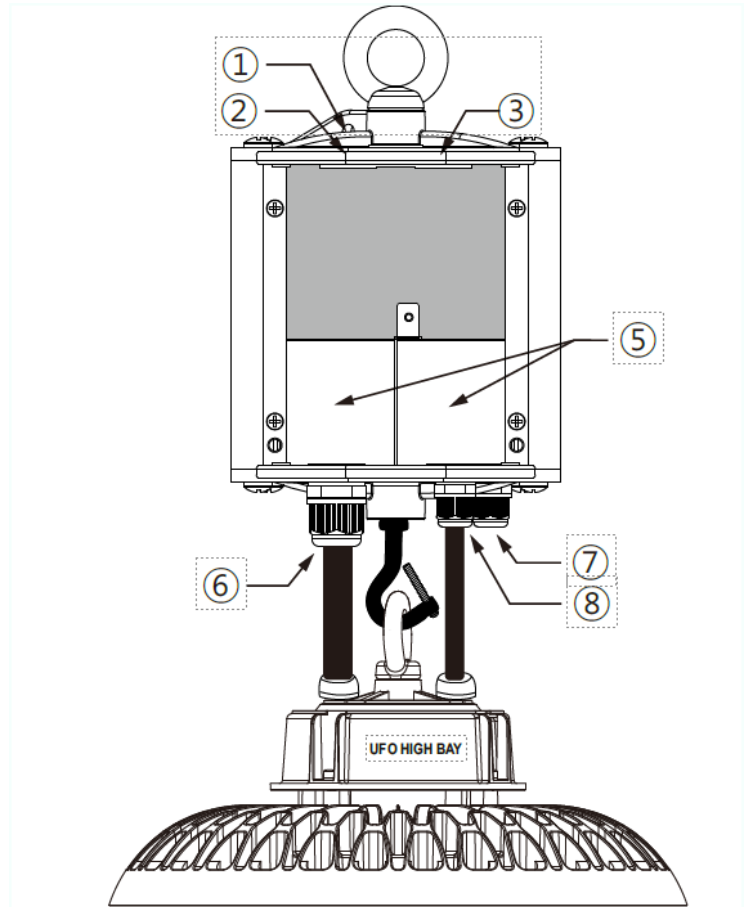
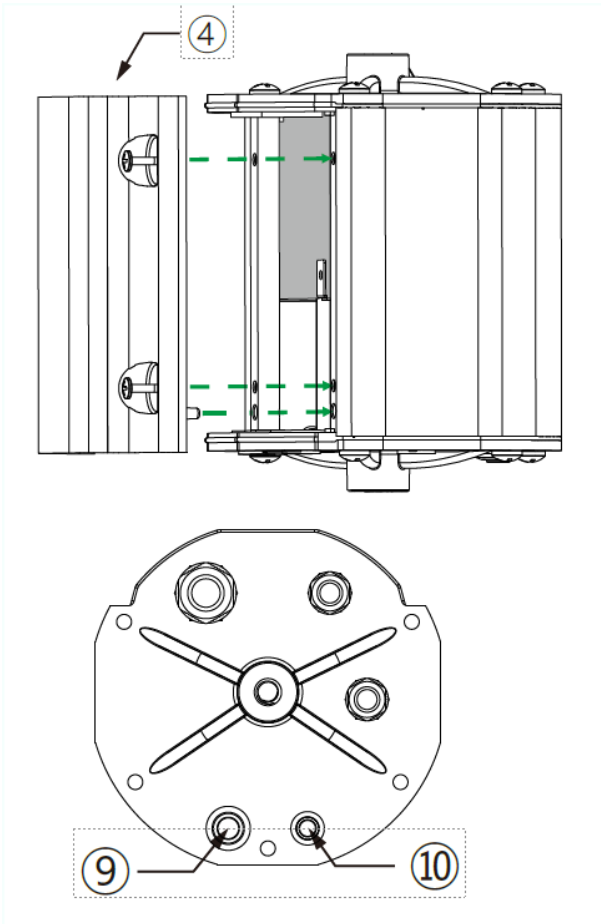


Application: 10-300W UFO High Bay Light with Dimming

## CERTIFICATION – COMPLIANCE - RATINGS

- UL924
- CEC Title 20
- NFPA 70





**EMERGENCY LED BACK-UP DRIVER DIAGRAM**

- ① Safety Rope Interface
- ② AC Input Wire Interface
- ③ Dimming Wire Interface
- ④ Integrated Junction Box Cover
- ⑤ Junction Box
- ⑥ Sensor Wire Interface
- ⑦ LED Driver Input Wire
- ⑧ LED Driver Dimming Wire
- ⑨ 1/2" NPT - Charge Indicator and Test Switch
- ⑩ 1/2" NPT - Signal Receiver

**ACCESSORIES**

144-RC-UFO



144-CO-UFO-PGC

2pcs 0.118-0.248"(3-6.3mm)

3pcs 0.196-0.393"(5-10mm)

