



US00D956524S

(12) **United States Design Patent**
Templeman

(10) **Patent No.:** **US D956,524 S**

(45) **Date of Patent:** **** Jul. 5, 2022**

(54) **STICKER EXTRUSION FOR SPACING WOOD**

(71) Applicant: **Imagineering Werks, LLC**, West Palm Beach, FL (US)

(72) Inventor: **Steven W. Templeman**, West Palm Beach, FL (US)

(73) Assignee: **Imagineering Werks, LLC**, West Palm Beach, FL (US)

(**) Term: **15 Years**

(21) Appl. No.: **29/774,390**

(22) Filed: **Mar. 16, 2021**

(51) **LOC (13) Cl.** **08-05**

(52) **U.S. Cl.**
USPC **D8/354**

(58) **Field of Classification Search**
USPC D8/354, 376, 16, 17, 19, 37, 47, 71, 89, D8/101, 353, 373, 377, 390, 391, 404; D6/512, 524, 528, 534, 672, 680.1, 680.2, D6/705.7, 708.25; D25/68-69, 122, 125, D25/120, 164, 119, 199
CPC A47G 33/004; A47H 1/00; A47H 13/00; A47H 15/00
See application file for complete search history.

(56) **References Cited**

U.S. PATENT DOCUMENTS

D22,187 S *	1/1893	Harsha	D8/376
D216,014 S	11/1969	Dupont		
4,199,870 A *	4/1980	Arsenault	F26B 25/185 34/518
4,811,516 A *	3/1989	Anderson	E01F 13/06 49/141
D343,350 S	1/1994	Gold		
5,461,836 A *	10/1995	Yang	E04F 11/16 52/312
D372,539 S	8/1996	Davies		

D378,347 S *	3/1997	Bain	D8/354
5,813,137 A *	9/1998	Townsend	B27F 1/02 248/346.02
6,134,803 A *	10/2000	Gilchrist	F26B 25/185 34/239
D451,612 S	12/2001	Thibault et al.		
6,517,926 B1 *	2/2003	Therrien	B65G 1/14 428/113
7,003,898 B2 *	2/2006	Aaron	F26B 25/185 34/518
D538,219 S	3/2007	Rakow		
D569,655 S *	5/2008	Williams	D6/682.2
D664,025 S *	7/2012	Horn	D8/354

(Continued)

Primary Examiner — Keli L Hill

Assistant Examiner — Harold E Blackwell, II

(74) *Attorney, Agent, or Firm* — Martin & Associates, LLC; Derek P. Martin

(57) **CLAIM**

The ornamental design for an sticker extrusion for spacing wood, as shown and described.

DESCRIPTION

FIG. 1 is a perspective view of the sticker extrusion for spacing wood showing the new design;

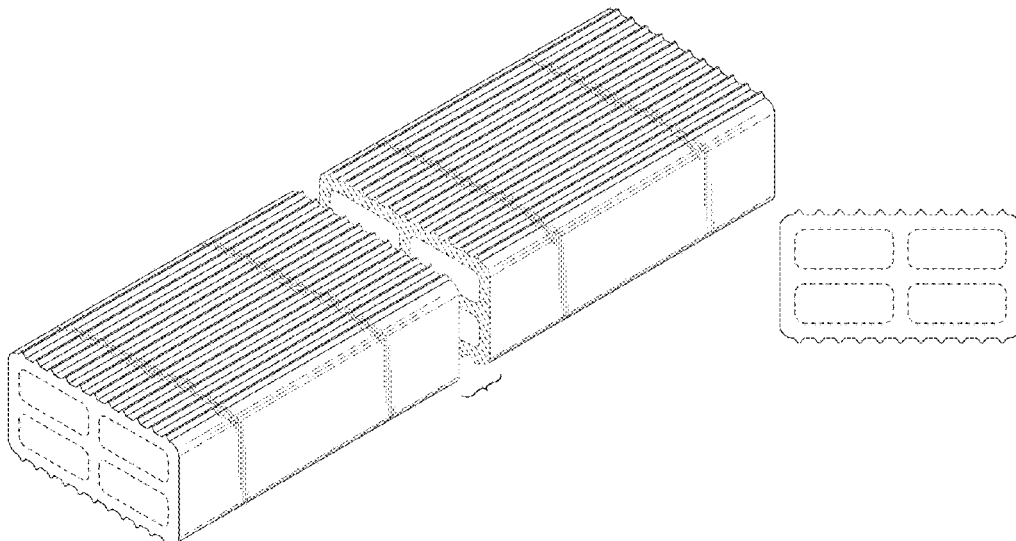
FIG. 2 is a top view thereof, with the opposing bottom view being identical;

FIG. 3 is an end view thereof, with the opposing end view being identical; and,

FIG. 4 is a side view thereof, with the opposing side view being identical.

The broken lines in the drawings illustrate portions of the sticker extrusion for spacing wood which form no part of the claimed design. The sticker extrusion for spacing wood is shown in FIGS. 1, 2 and 4 with a symbolic break in its length. The appearance of any portion of the article between the break lines forms no part of the claimed design.

1 Claim, 3 Drawing Sheets



(56)

References Cited

U.S. PATENT DOCUMENTS

D664,921	S	8/2012	Stone et al.	
D689,206	S	9/2013	Ellsworth	
8,556,976	B2 *	10/2013	Jacofsky	A61F 2/4611 606/86 A
D744,666	S	12/2015	Weber	
9,309,714	B2 *	4/2016	Nieminen	E06B 3/67326
D796,344	S *	9/2017	Paulick	D25/115
9,851,148	B2	12/2017	Templeman et al.	
D807,153	S	1/2018	Templeman et al.	
D826,694	S	8/2018	Templeman et al.	
10,365,041	B2	7/2019	Templeman et al.	
D902,695	S *	11/2020	Petty	D25/119
D939,331	S *	12/2021	Comalander	D8/380
2018/0099319	A1 *	4/2018	Petty	B21C 23/142

* cited by examiner

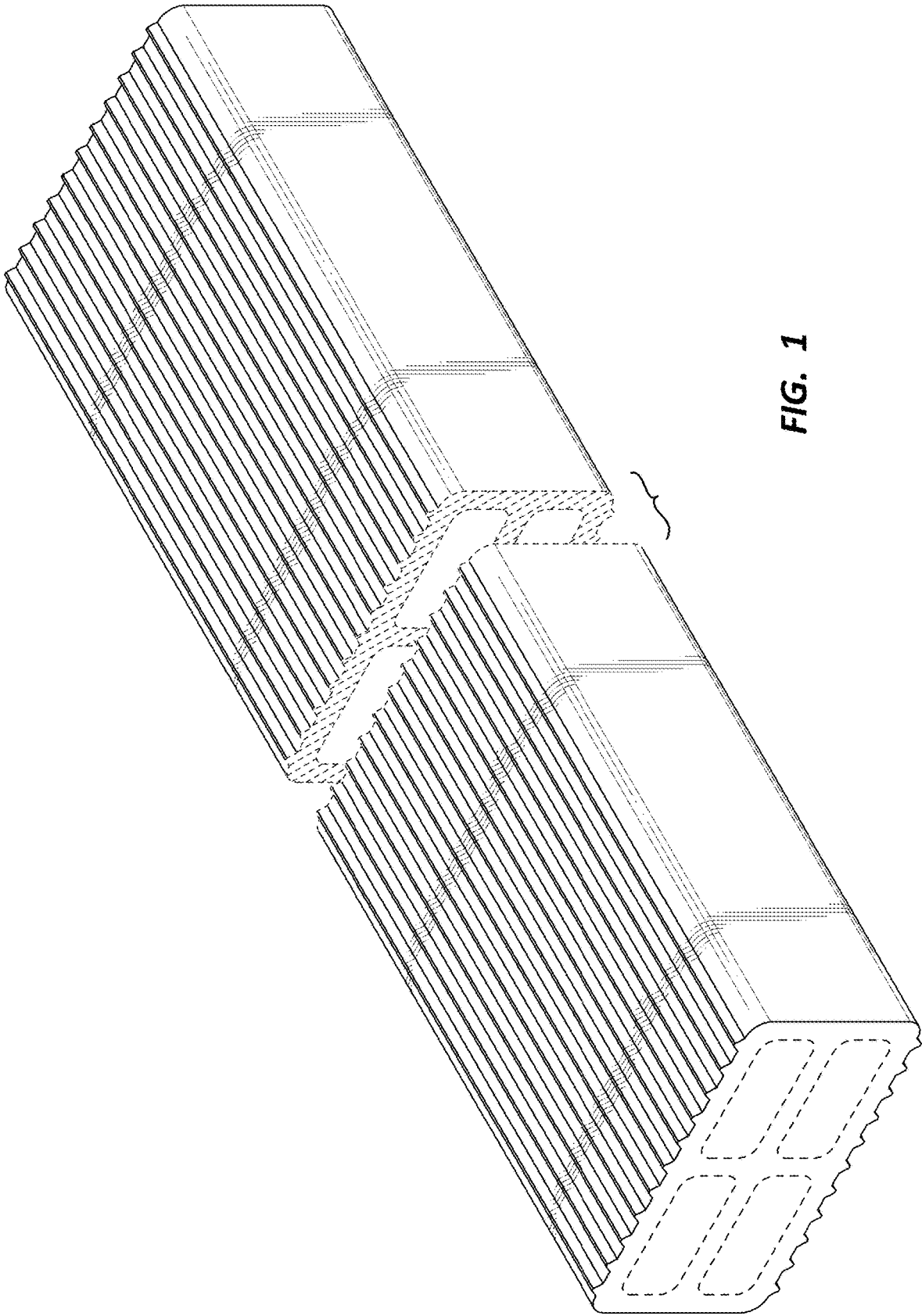


FIG. 1

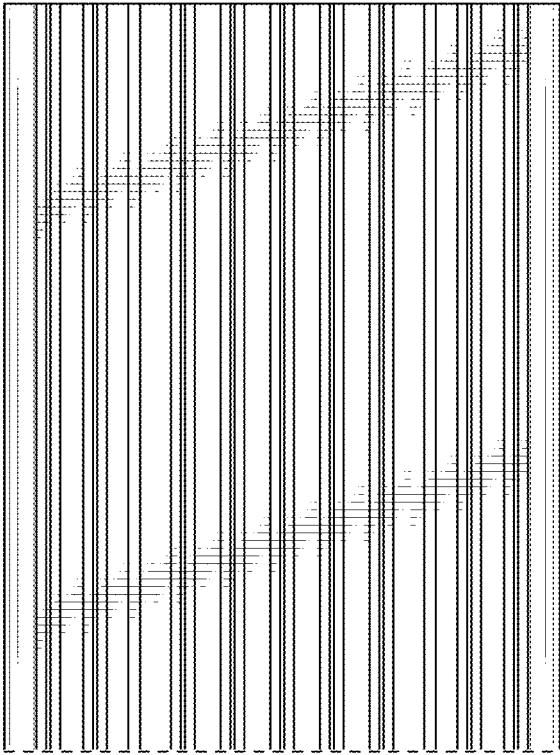


FIG. 2

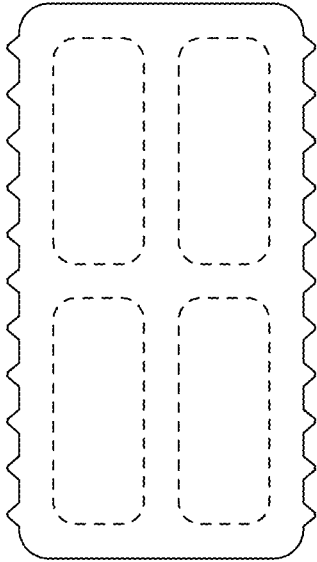
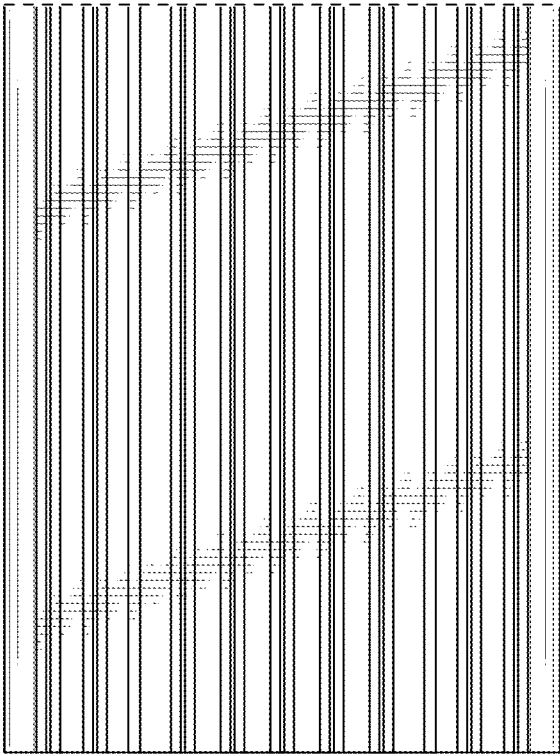


FIG. 3

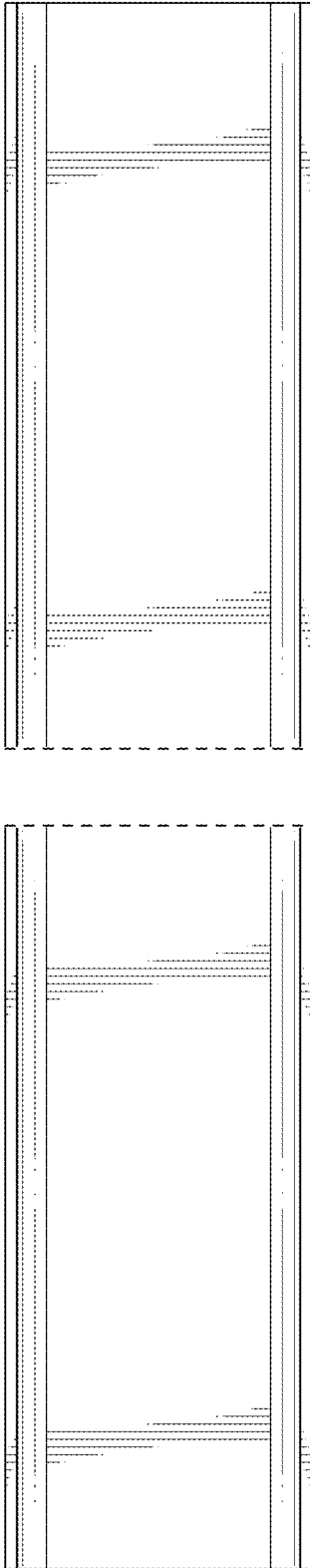


FIG. 4