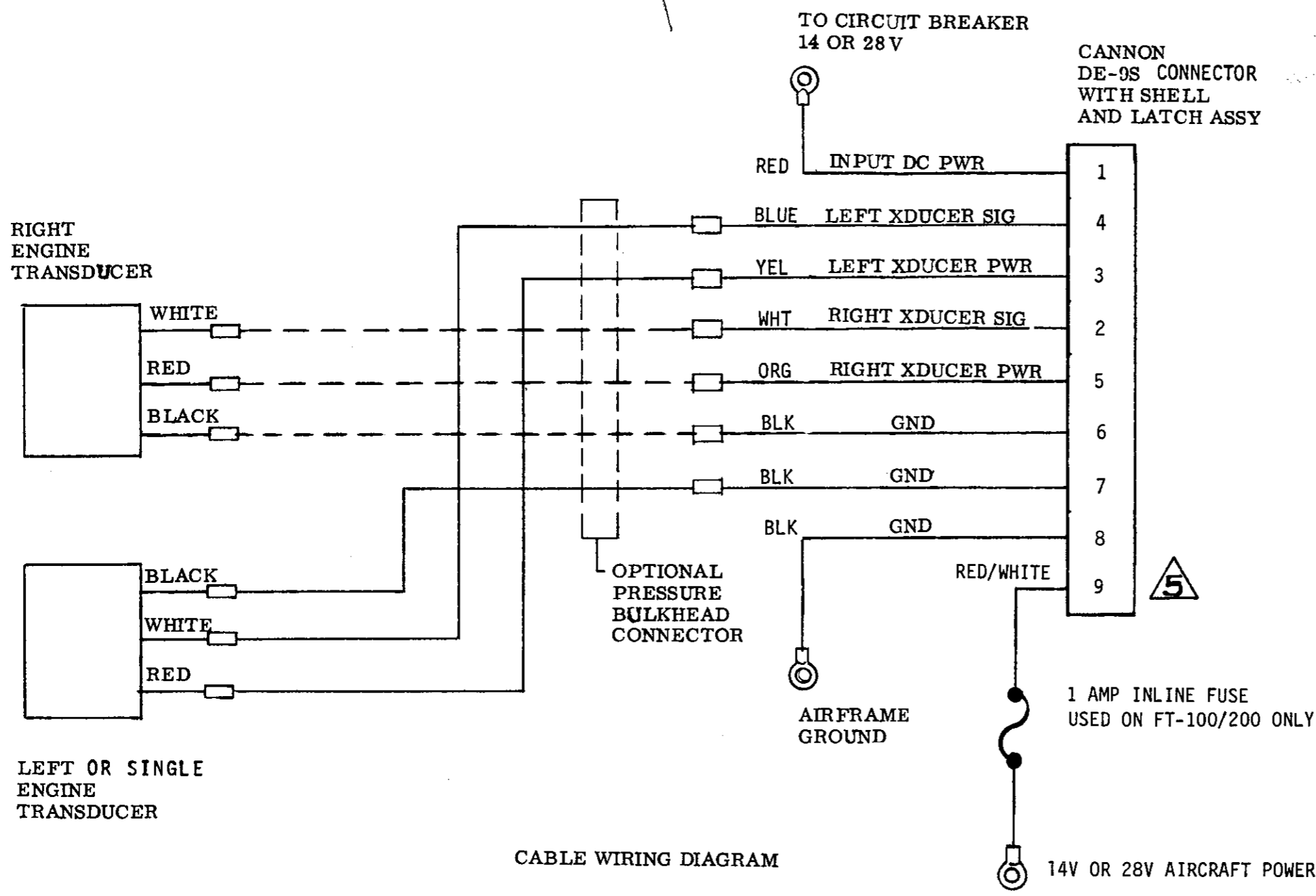


REVISIONS			
LTR	DESCRIPTION	DATE	APPROVED
N/C	ORIGINAL RELEASE	1-27-8	OKC
A	SEE EO 11621	3/15/8	OKC
B	SEE EO 11992	6-28-8	OKC
C	SEE EO 12082	7-27-8	OKC
D	SEE EO 12556	11-3-78	OKC
E	SEE EO 12884	2-7-79	OKC



CABLE WIRING DIAGRAM

- 5 CONNECTOR PIN 9 IS FUNCTIONAL FOR FT-100/200 ONLY
4. SHIELDING 3 CONDUCTOR OPTIONAL (MIL - W - 5086)
3. USE AWG 20 5086A WIRE OR EQUIV.
2. BARREL OR SCISSOR CONNECTOR No. 31777 AMP or Equiv.
1. ALL WIRING MUST COMPLY WITH A.C. 43.13-1, CH. 11,

NOTE: UNLESS OTHERWISE SPECIFIED SECTS 2, 3, 7 REQUIREMENTS

This document contains proprietary information and designs owned by Symbolic Displays, Inc., except as specific rights are granted to the United States Government, other Government agencies or other person or firm as defined by contract or other document executed by Symbolic Displays, Inc. Neither this document nor its contents may be disclosed or reproduced in whole or in part without the written permission of Symbolic Displays, Inc.

ITEM NO.	DWG SIZE	PART NO.	DESCRIPTION
QTY REQD		LIST OF MATERIAL	
UNLESS OTHERWISE SPECIFIED		<b>SYMBOLIC DISPLAYS INC</b> 1762 MCGAW AVE IRVINE CALIFORNIA 92705	
DIMENSIONS ARE IN INCHES AND INCLUDE CHEMICAL, PLATED, OR PAINTED FINISHES.			
TOLERANCES ON		DRAWN <i>KAMON</i> DATE 1-23-78 CHECKED <i>R. Carlow</i> DATE 1-27-78 DESIGN ENG. <i>William Abtine</i> DATE 1-27-78 APPROVED <i>OKC</i> DATE 1/27/78	TITLE CABLE WIRING DIAGRAM FOR CFS-1000/2000, CFS-1001/2001, FT-100/200
FRAC	2 PLACE	3 PLACE	ANGLES
+ / -	+ / -	+ / -	+ / -
<input checked="" type="checkbox"/> SURFACE FINISH PER MIL-STD-10		BREAK ALL SHARP EDGES	
N/A		USED ON	SIZE <b>B</b> CODE IDENT NO. 19565 DRAWING NO. <b>204200</b> REV <b>E</b>
		SCALE: NONE	SHEET / OF /