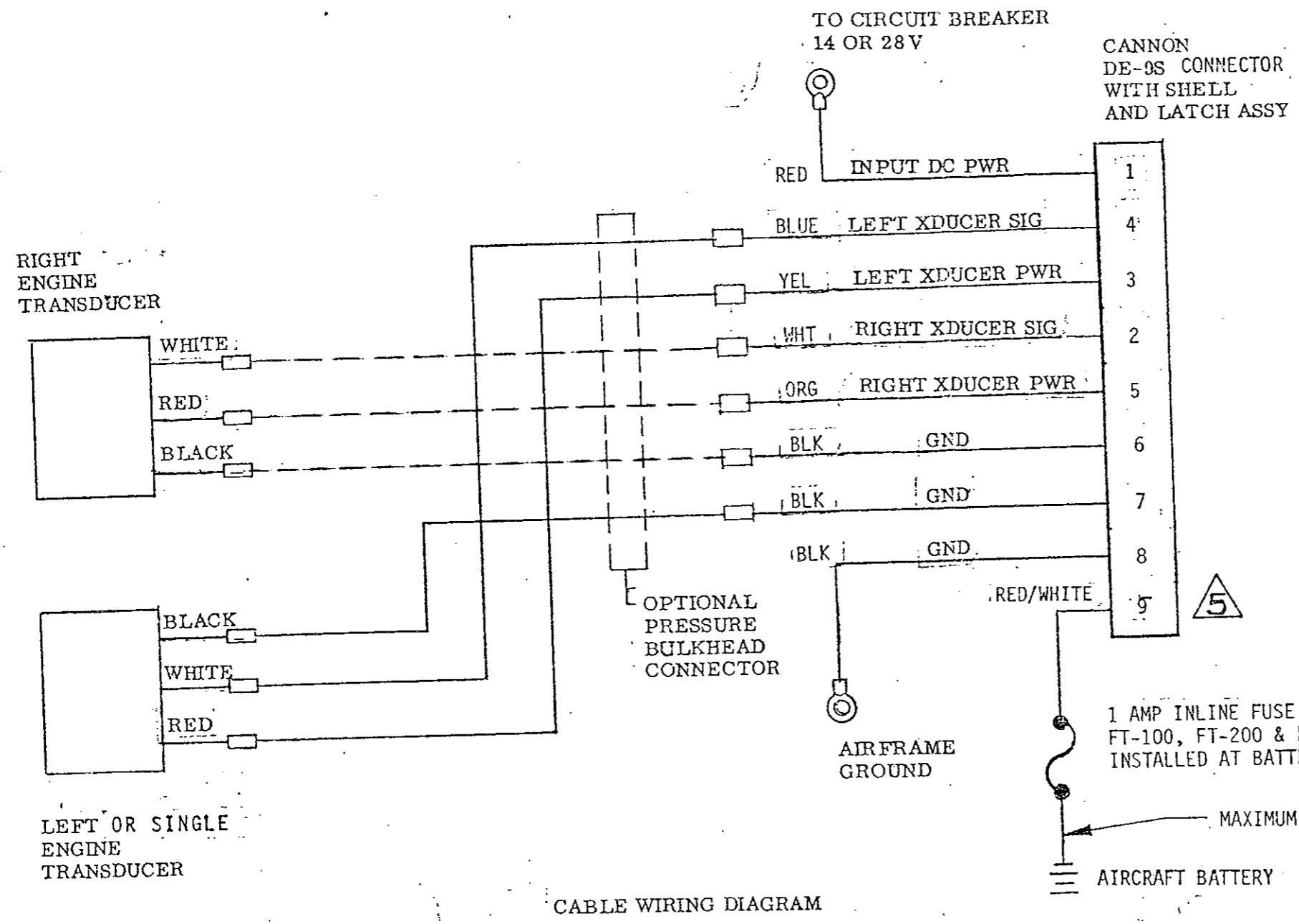


REVISIONS			
LTR	DESCRIPTION	DATE	APPROVED
N/C	ORIGINAL RELEASE,	1-27-8	OJC
A	SEE EO 11621	3/15/8	OJC
B	SEE EO 11992	6-28-8	OJC
C	SEE EO 12082	7-27-8	OJC
D	SEE EO 12556	11-3-78	OJC
E	SEE EO 12884	2-7-79	OJC
F	SEE E.O.50021	12/23/80	OJC
G	ADD CFS-1000A, 1001A, 2000A, 2001A	5-31-81	OJC



CABLE WIRING DIAGRAM

5. CONNECTOR PIN 9 IS FUNCTIONAL FOR FT-100/200 & FT-101 ONLY
4. SHIELDING 3 CONDUCTOR OPTIONAL (MIL - W - 5086)
3. USE AWG 20 5086A WIRE OR EQUIV.
2. BARREL OR SCISSOR CONNECTOR No. 31777 AMP or Equiv.
1. ALL WIRING MUST COMPLY WITH A.C. 43.13-1, CH. 11.

NOTE: UNLESS OTHERWISE SPECIFIED SECTS 2, 3, 7 REQUIREMENTS

SANDIA aerospace
Proprietary and Confidential

ITEM NO.	DWG SIZE	PART NO.	DESCRIPTION
QTY REQD		LIST OF MATERIALS	
UNLESS OTHERWISE SPECIFIED		SANDIA aerospace 5445 Edith Blvd. NE, Suite I, Albuquerque, NM 87107	
DIMENSIONS ARE IN INCHES AND INCLUDE CHEMICAL, PLATED, OR PAINTED FINISHES.		DRAWN KAMION	DATE 1-23-78
TOLERANCES ON		CHECKED K. Carlson	DATE 1-27-78
FRAC	2 PLACE	3 PLACE	ANGLES
+ -	+ -	+ -	+ -
DESIGN ENG K. Carlson		DATE 1-27-78	SIZE B
APPROVED		DATE	CAGE CODE
NHA		USED OR	DRAWING NO. 204200
SURFACE FINISH PER MIL-STD-10		BREAK ALL SHARP EDGES	
SCALE: NONE		SHEET 1 OF 1	