

TORQUE INSTALLATION NOTE:

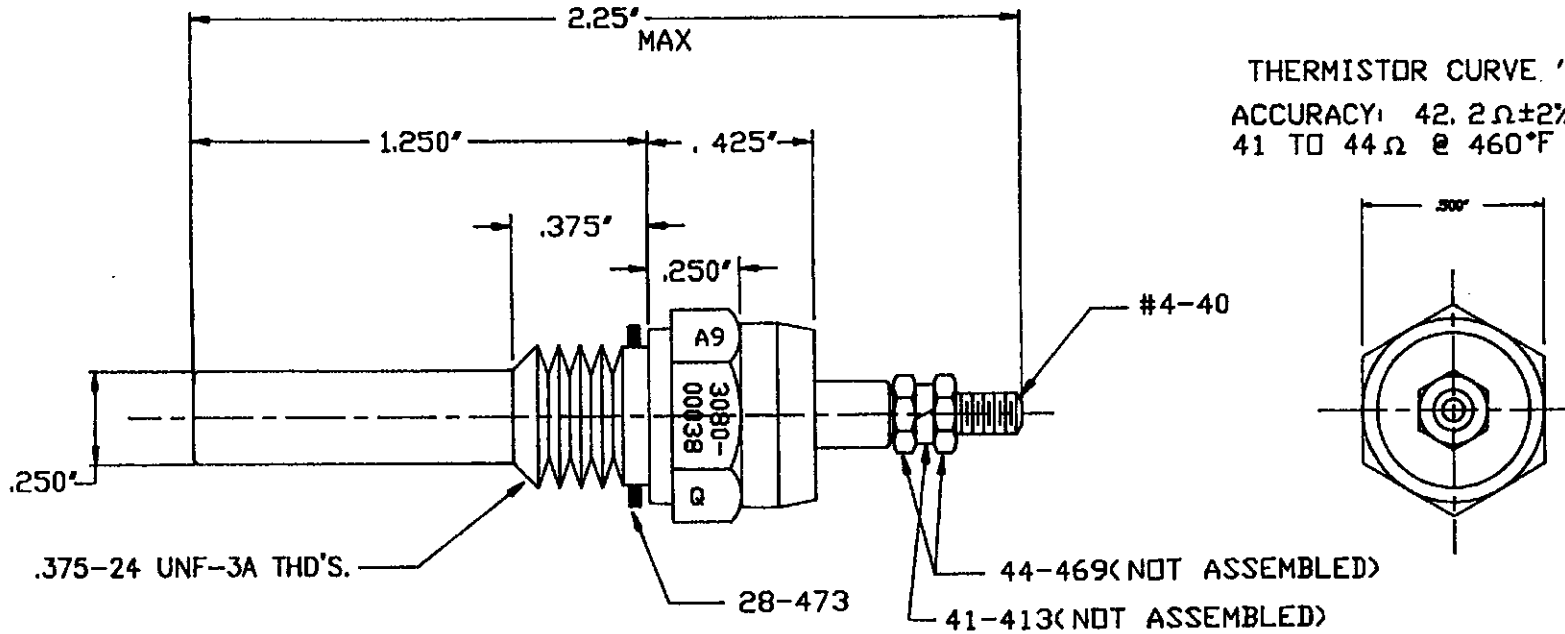
TERMINAL NUT TORQUE: 3.0 IN-LB

BODY INSTALLATION TORQUE: 75 IN-LB

THERMISTOR CURVE: 'Q'

ACCURACY:  $42.2 \Omega \pm 2\%$  @  $237.78^\circ\text{C}$

$41$  TO  $44 \Omega$  @  $460^\circ\text{F}$



FOR USE AT 200°F TO 500°F SERVICE

200°F = 745  $\Omega$

475°F = 38  $\Omega$

500°F = 32  $\Omega$