

APP-904 Rack Mount Monitor & Keyboard Console™

P/N: APP00904

Standard Specifications

Console, 1RU, (1.75") 19" Rack Mount, 13" Deep if Flush Mount

Three Available Mounting Depth, Flush Mount, 2" Mount, 3.5" Mount, cont'd
2", and 3.5" allow for greater monitor tilt angle and less depth into panel.

Rear Ports: 1 USB Type A, 1 LVI-D, 1 VGA, 1 Three Pos Power Terminal Block

Universal Power Input 86-370Vdc, or 88-264Vac, 17W @ 125VDC

Power Input Frequency Range 47Hz to 63Hz

Operating Temperature Range -25C to 70C

Storage Temperature Range -30C to 80C

Humidity 0 to 85% Non-Condensing

Pull out drawer with 12.1" flip up Industrial TFT, High Brightness, cont'd
XGA Monitor, 1024 x 768 Res

Waterproof, Washable Membrane, 104 Key US Layout, cont'd
with Touchpad

Auto Power-Off via Windows OS

Convenient Front Grip Handle

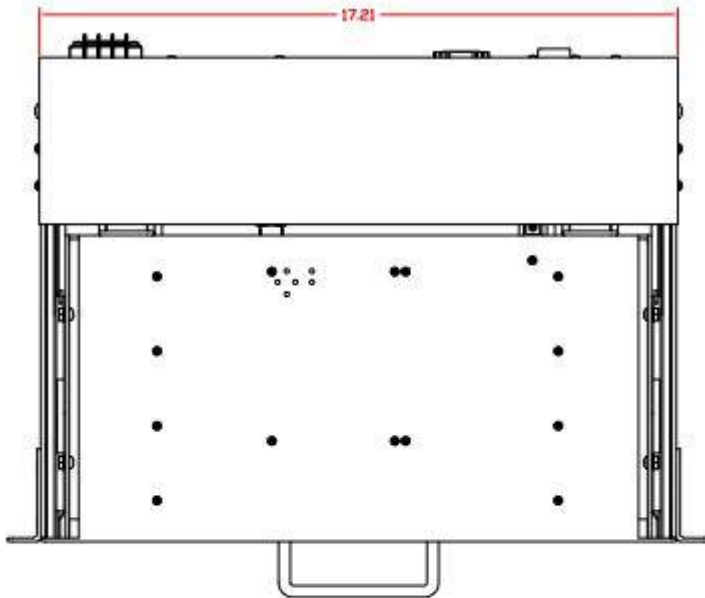
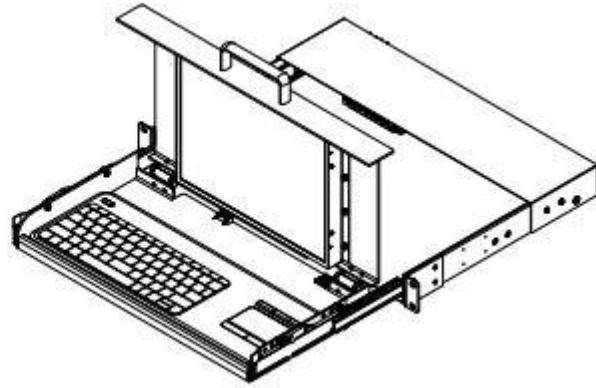
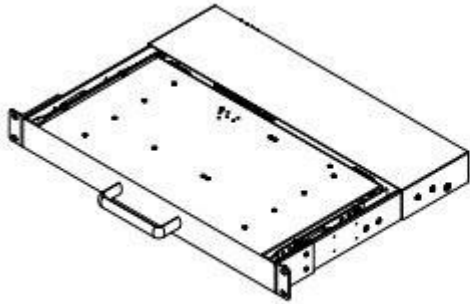
Easy Glide Ball Bearing Slides

See Dimensions on next page

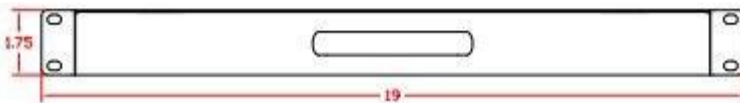
APP-904™



APP-904 Rack Mount Monitor & Keyboard, cont'd



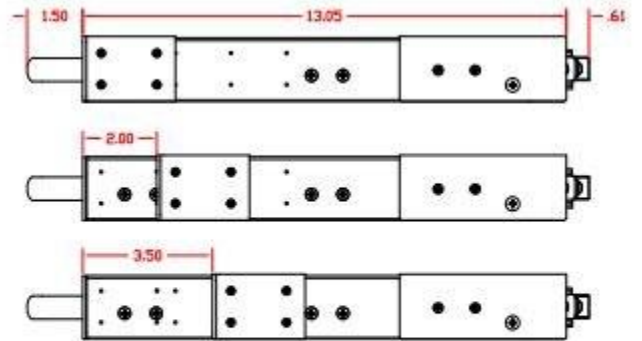
TOP VIEW



FRONT VIEW



REAR VIEW



SIDE VIEW

(MULTIPLE MOUNTING DEPTHS SHOWN)