

# Unicub

## Air Operated High Pressure Pumps

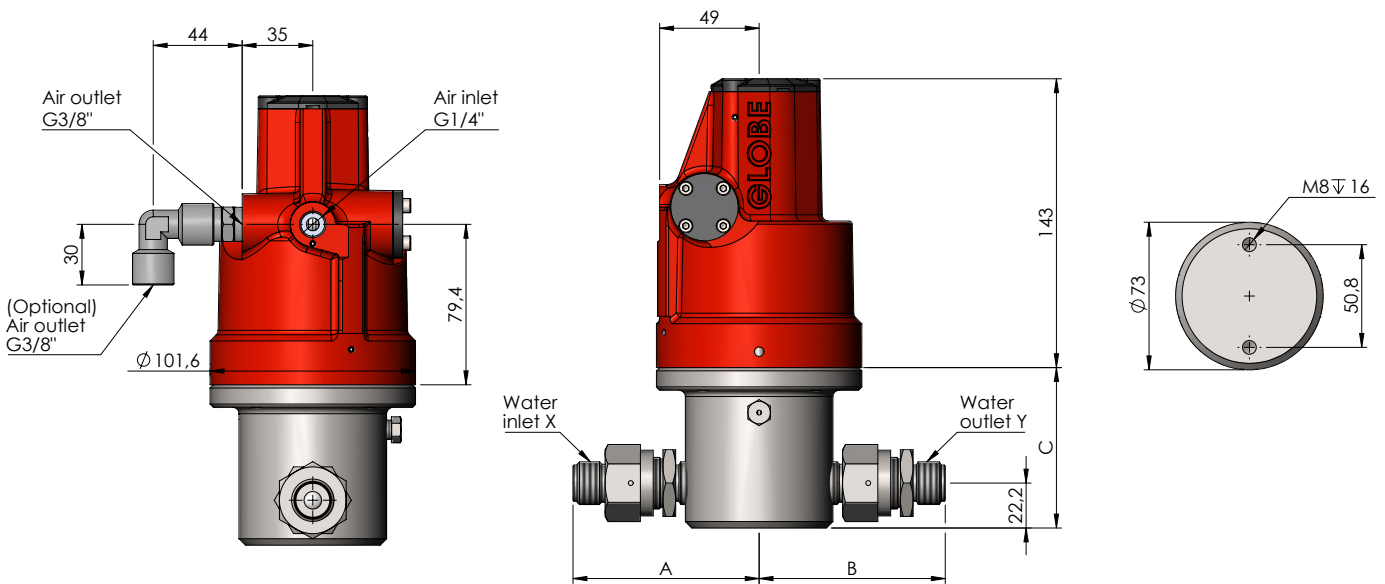
Up to 14,250 psi / 982 Bar

GLOBE Test Equipment is the specialist in everything that has to do with high pressure. The air driven MK-7 high pressure pumps are designed to deliver a wide range of fluids up to pressures of 982 BAR (14.250 PSI). They are suitable for pumping water, oil and a wide range of fluids with a minimum air pressure for start up up to 1 BAR. Common applications include pressure testing, general hydraulics (for instance: bolt tensioning), process industry and construction and mining.

Our Unicub high pressure pumps are commonly used with our APU High Pressure Systems. The high pressure systems consists of a high pressure pump in combination with all the necessary couplings and connections, built into a compact stainless steel frame. The system is easy to control, portable and ready for immediate use. Our systems are made in a stainless steel (inox) frame and mainly consist of stainless steel parts. This way we provide a high quality product with a long life span.

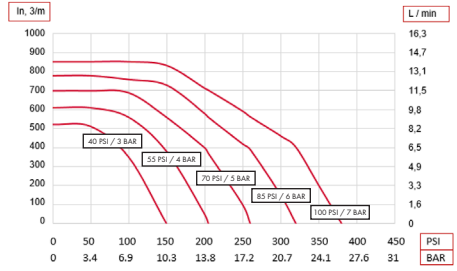
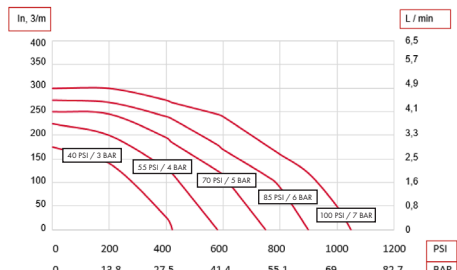
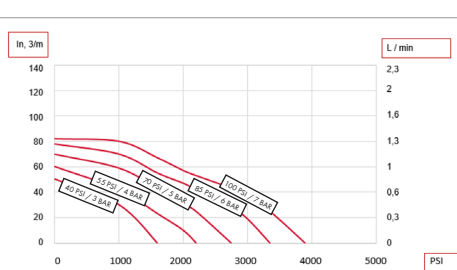
- Maintains pressure with minimal power consumption (Non-load holding).
- Usable in hazardous areas (per ATEX II 2G Ex h IIC T5 Gb X).
- Only 15 psi / 1 bar air pressure required to start pump.
- Requires flooded inlet. vertical mount.
- Can operate on gases other than air.
- Suitable for continuous and start/stop applications.
- Pumps oil, water, and other fluids.
- Stainless steel pump and check valves standard.
- Quiet operation
- Simple to install and maintain with a compact, rugged design.

## Dimensions



type	RAM/ Dia.		A		B		C		Connection PUA...U		Connection PUA...U	
	(in.)	mm	(in.)	mm	(in.)	mm	(in.)	mm	Inlet	Outlet	Inlet	Outlet
PUA26U	1.25	32					3.6	90.5	1/2" BSP		1/2" NPT	
PUA70U	0.75	19										
PUA157U	0.50	12,7	3.6	92	3.6	92						
PUA275U	0.38	9,7										
PUA430U	0.31	7,9										
PUA655U	0.25	6,35										
PUA982U	0.20	5,1	3.7	93.1	3.7	93.1						

# Specifications & Performance Unicub

type	Ratio	Outlet Pres.		Outlet Per Cycle		Max. Flow at 0 Pressure		Performance
		1:	PSI	Bar	cu.in.	ml	cu. in./min.	
PUA26U	4.3	380	26	1.680	27,5	850	13,9	
PUA70U	11.9	1010	70	0.607	9,9	305	5	
PUA157U	26.7	2280	157	0.270	4,4	146	2,4	
PUA275U	47.5	3990	275	0.151	2,5	85	1,4	



## Wide product program

We are here to help you with all your questions about high pressure equipment, high pressure systems and everything that is related.



## In-house engineering and production

As a team of experts with lots of experience we do not just exactly know what we sell, we can also provide customization for all our products.



## GLOBE Service

Whether you are looking for customization, high pressure couplings, maintenance of your existing system or the calibration of your pressure gauges.

We are happy to help.

# Specifications & Performance Unicub

type	Ratio	Outlet Pres.		Outlet Per Cycle		Max. Flow at 0 Pressure		Performance
		PSI	Bar	cu.in.	ml	cu. in./min.	l/min.	
PUA430U	68.4	6230	430	0.105	1,7	55	0,9	<p>Performance graph for PUA430U. The y-axis represents flow rate in L/min (0 to 1) and in.3/m (0 to 64). The x-axis represents pressure in PSI (0 to 8000) and BAR (0 to 551.6). Five curves are shown for different pump models: 100PSI/2.0BAR, 150PSI/2.0BAR, 200PSI/2.0BAR, 250PSI/2.0BAR, and 300PSI/2.0BAR. Flow rate decreases as pressure increases.</p>
PUA655U	107	9500	655	0.670	11	36	0,6	<p>Performance graph for PUA655U. The y-axis represents flow rate in L/min (0 to 0.7) and in.3/m (0 to 45). The x-axis represents pressure in PSI (0 to 100000) and BAR (0 to 689.5). Five curves are shown for different pump models: 100PSI/2.0BAR, 150PSI/2.0BAR, 200PSI/2.0BAR, 250PSI/2.0BAR, and 300PSI/2.0BAR. Flow rate decreases as pressure increases.</p>
PUA982U	163.8	14250	982	0.044	0,7	24	0,4	<p>Performance graph for PUA982U. The y-axis represents flow rate in L/min (0 to 0.46) and in.3/m (0 to 28). The x-axis represents pressure in PSI (0 to 16000) and BAR (0 to 1103.2). Five curves are shown for different pump models: 100PSI/2.0BAR, 150PSI/2.0BAR, 200PSI/2.0BAR, 250PSI/2.0BAR, and 300PSI/2.0BAR. Flow rate decreases as pressure increases.</p>

Order your  
**HIGH PRESSURE PUMP:**  
[info@globe-benelux.nl](mailto:info@globe-benelux.nl)