

MODEL: UM1EGA



STANDARD FEATURES

- Downdraft Recirculating Filtration System
- Grade 304 Stainless Steel Cooktop
- Edge-to-Edge Heating with three (3) Zones
- Patent-Pending Moveable Platform Design
- Metallic Gray Finish on Aluminum panels
- HMI Touch Screen
- Casters with Adjustable Heights
- Apertures for 100% Smoke Capture
- Trough with Trash Drawer
- Auto Detection Fire Links
- Manual Fire Pull Station
- Pre-engineered Buckeye UL 300 fire suppression system
- One-Year Limited Warranty for parts and labor

SMART INVESTMENT

Eco-Friendly dual stage filtration system utilizing wool baffle filter and a pioneered combo filter (MERV + Carbon) to capture grease-laden air, odors, and other small particulates creating not only a better environment for dining, but better air quality than standard updraft hoods.

Hood/Duct Free because of the downdraft recirculating system. There is no need to spend thousands of dollars on construction and installation fees; not to mention, heavy maintenance fees.

SMART (Self-Monitoring Analytical Response Technology) provides automatic adjustments for the blower's speed in respect to the amount of smoke taken in prolonging the filter life while saving energy. The heat recovery on the cooktop can also be catered to the user's preference (automatically or manually).



ETL US & Canada

This item meets the electrical product safety standards imposed by the ETL, a division of the Intertek Group, for use in the United States and Canada.



ETL Sanitation

This item meets the sanitation standards imposed by the ETL, a division of the Intertek Group.

Designed and manufactured in U.S.A

CERTIFICATIONS

- ETL Sanitation Mark (ANSI / NSF 4:2019)
- ETL Listed by Intertek
- Buckeye UL 300 fire suppression system

OPTIONAL ACCESSORIES

- Baffle Filter Frame
- Wool Insert
- Combo Filter
- Push Air Filter
- Granite Coutertop
- Quartz Coutertop
- Dekton Coutertop
- Coutertop Frame
- Sneeze Guard
- Fuse Kit
- Tool Kit
- Grill Starter Kit

MODEL: UM1EGA

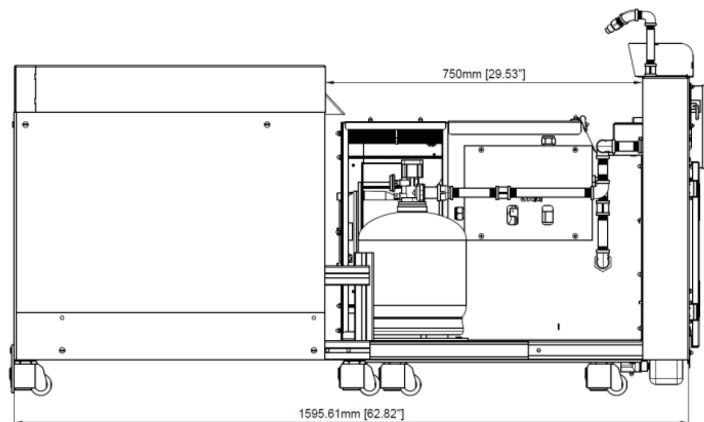
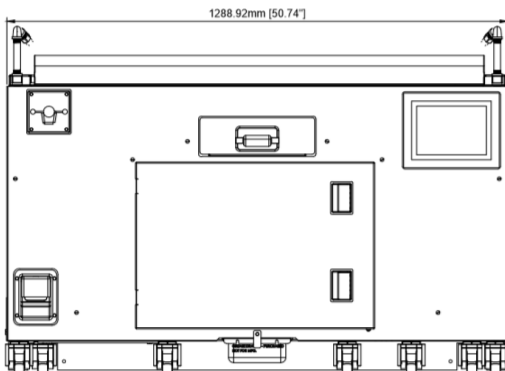
DIMENSIONS

ELECTRICAL SPECIFICATIONS



HEIGHT	30.13"
WIDTH	50.74"
DEPTH	33.29"
DEPTH (Extended)	62.82"
COOKTOP	22" x 46"
WEIGHT	777 lbs

VOLTAGE	208 V
PHASE	3 Ø
FREQUENCY	60 Hz
AMP	32 A
MAX AMP	40 A
HEAT	36,851 BTU (10.8 kW)



INSTALLATION REQUIREMENTS

- There must be at least 96" clearance with the ceiling for the unit.
- There must be at least 12" clearance with the back and sides for the unit.
- There must be at least 30" clearance with the front of the unit.
- Fire protection system must be activated & certified by a Buckeye authorized installer before use.
- Air exchange at the installation site must comply with requirements of the local jurisdictional authority.
- The APACE filtration system is designed to remove smoke and grease-laden air as well as filtering the aromas that come from the cooktop. A minimum of 80 CFM (cubit feet) of fresh air per minute both in and out of the cooking area is recommended for the dilution of odor buildup.