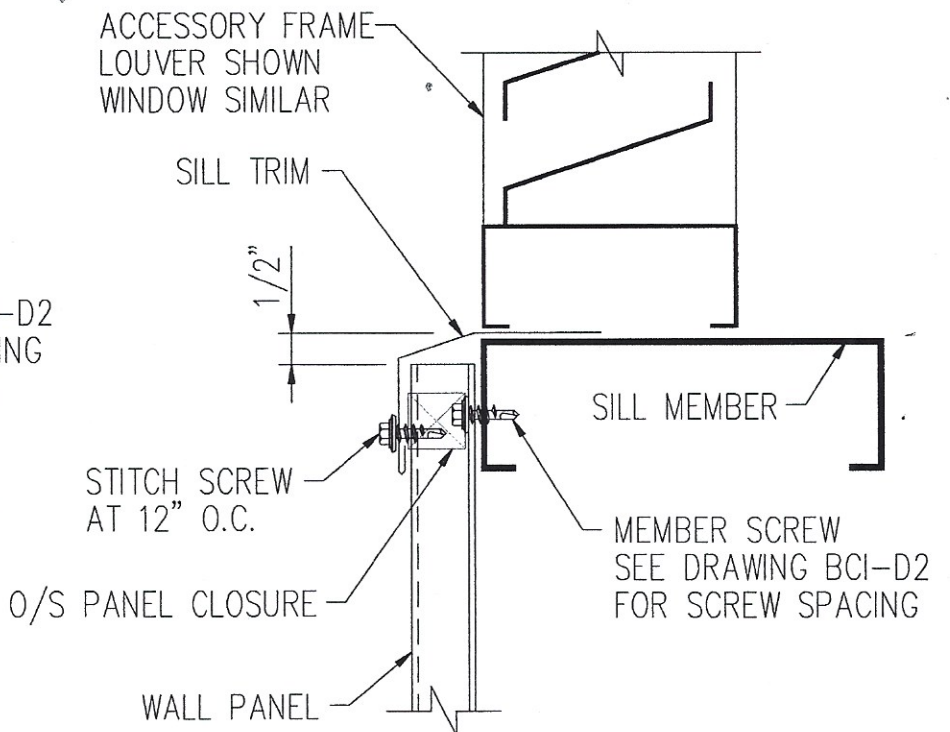
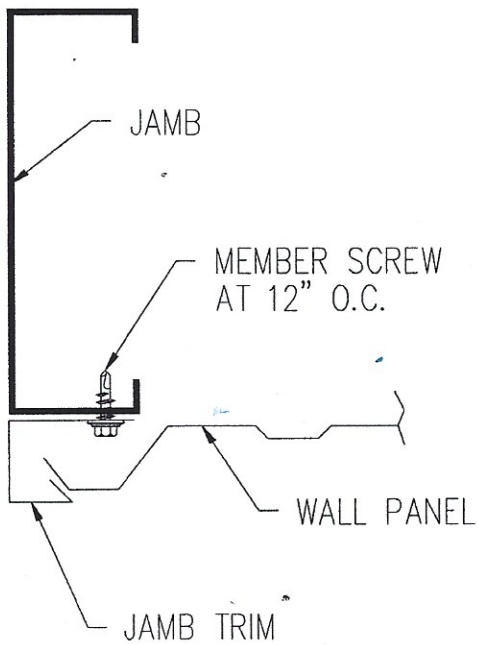


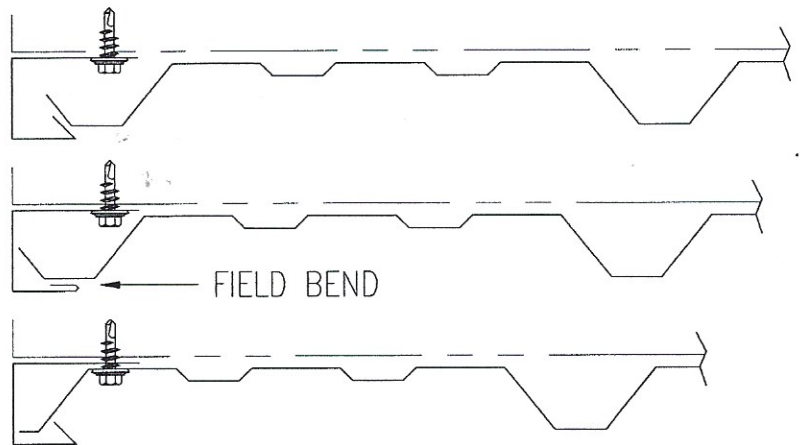
HEAD DETAIL



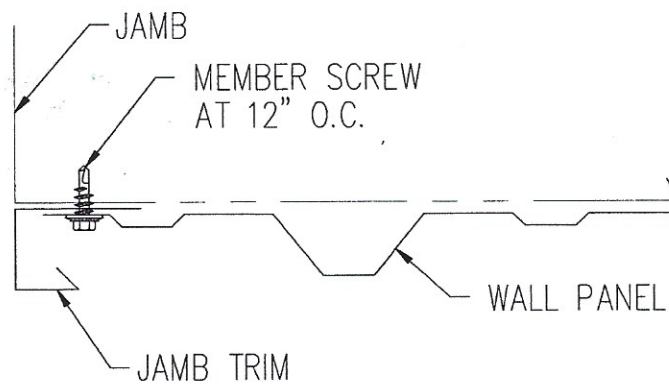
SILL DETAIL



JAMB DETAIL



PANEL RIB TO JAMB VARIATIONS



TITLE

R PANEL F.O. DETAILS

DWG No.

BCI-D16

BCI

BUILDING COMPONENTS, INC.
11919 NORTH GARDEN PHONE: 713-995-9224
HOUSTON, TEXAS 77071 FAX: 713-995-5482