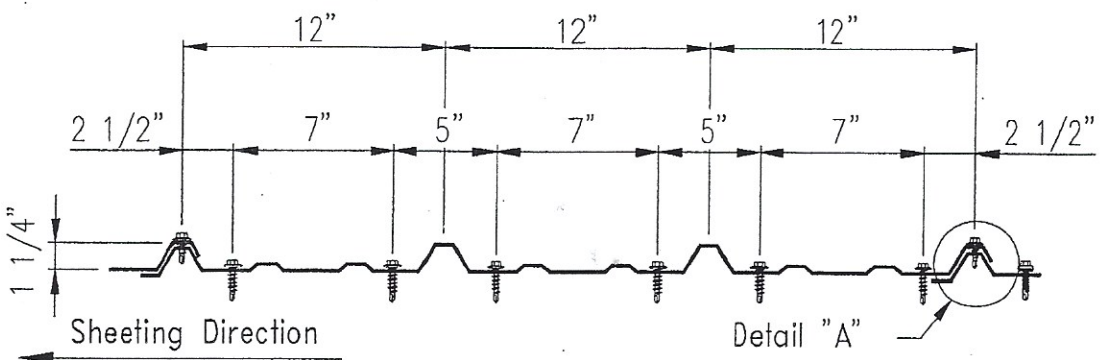
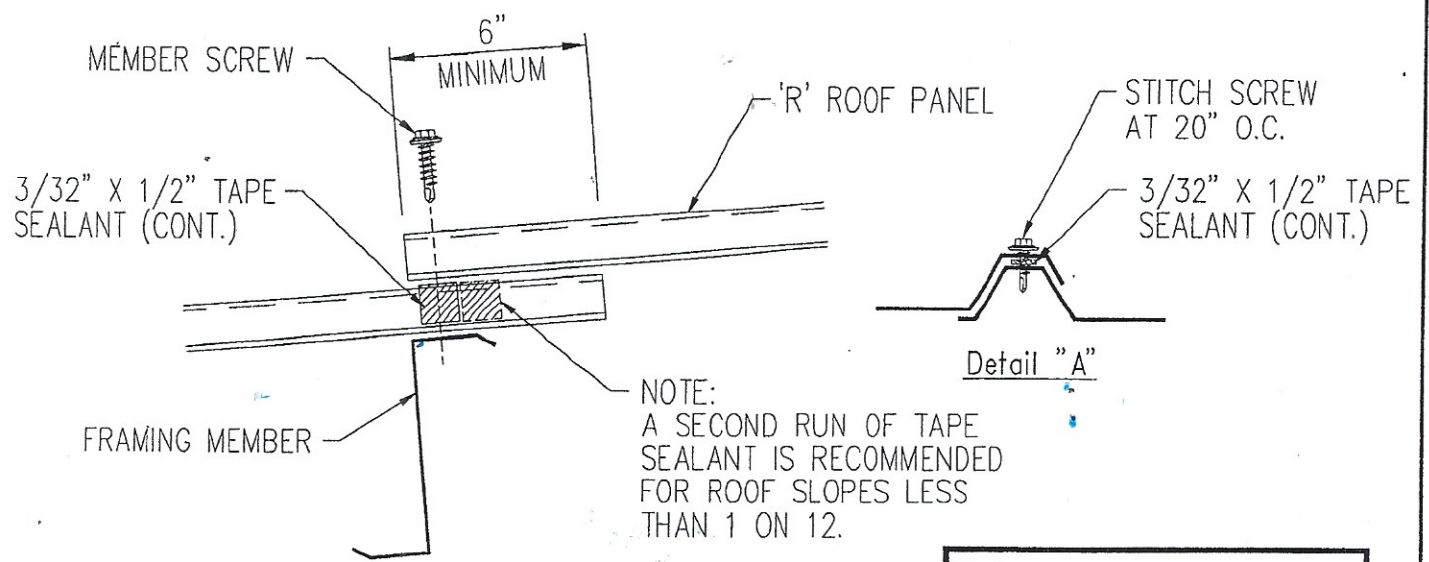


All Roof Members Except As Noted Below



At Eave Strut, Panel End Lap, and Peak Purlin




Section Thru Panel End Laps

NOTE:  
A SECOND RUN OF TAPE  
SEALANT IS RECOMMENDED  
FOR ROOF SLOPES LESS  
THAN 1 ON 12.

Note:  
Screw Patterns Shown  
Satisfy U.L. 90 Requirements  
For Roof

Fastener Location For "PBR" Roof Panel

TITLE <b>ROOF FASTENER PLACEMENT</b>	DWG No. BCI-D1	 BUILDING COMPONENTS, INC. 11919 NORTH GARDEN    PHONE: 713-995-9224 HOUSTON, TEXAS 77071    FAX: 713-995-5482
---	-------------------	--