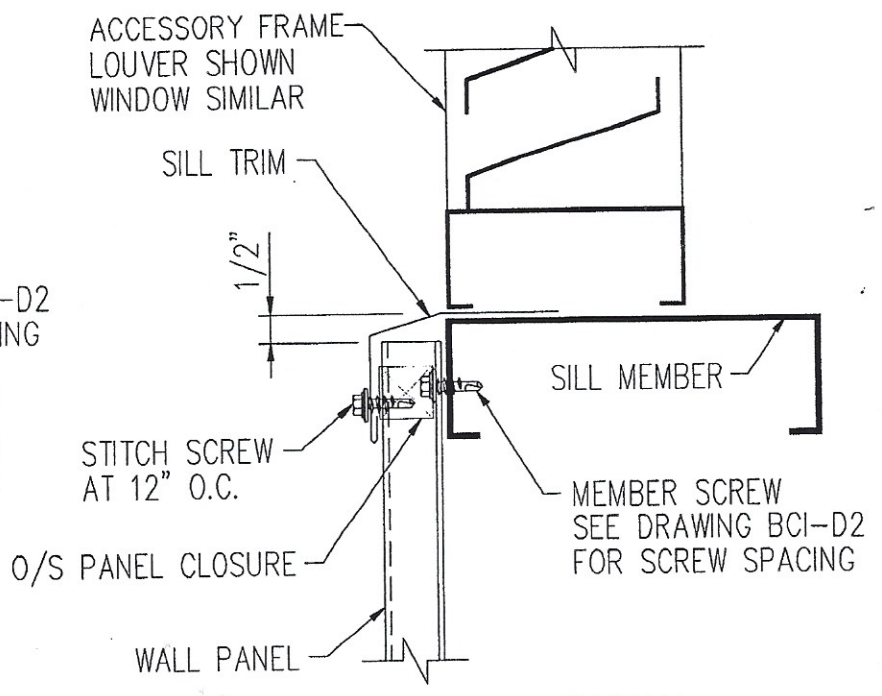
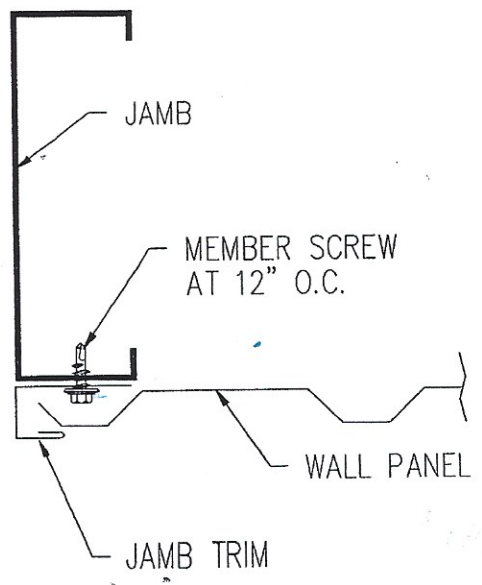


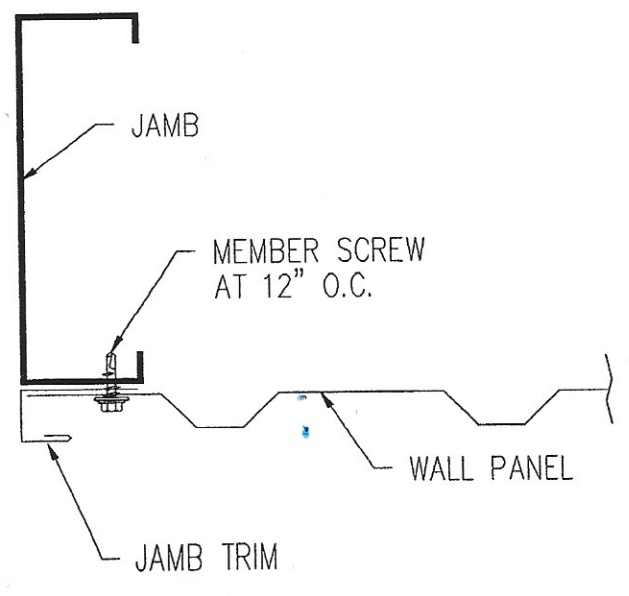
HEAD DETAIL



SILL DETAIL



AT PANEL HIGH



AT PANEL LOW

JAMB DETAIL

TITLE

U PANEL F.O. DETAILS

DWG No.
BCI-D17



BUILDING COMPONENTS, INC.
11919 NORTH GARDEN PHONE: 713-995-9224
HOUSTON, TEXAS 77071 FAX: 713-995-5482