

New 2021

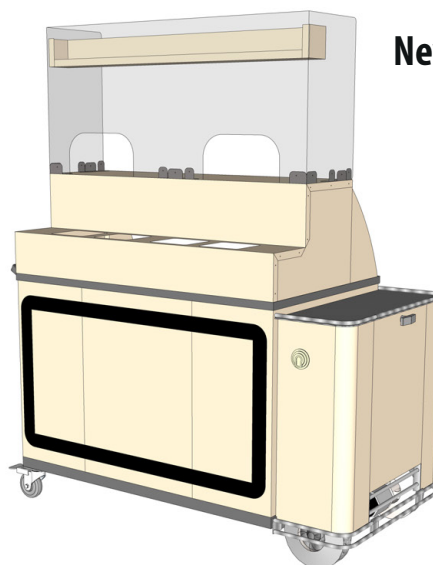
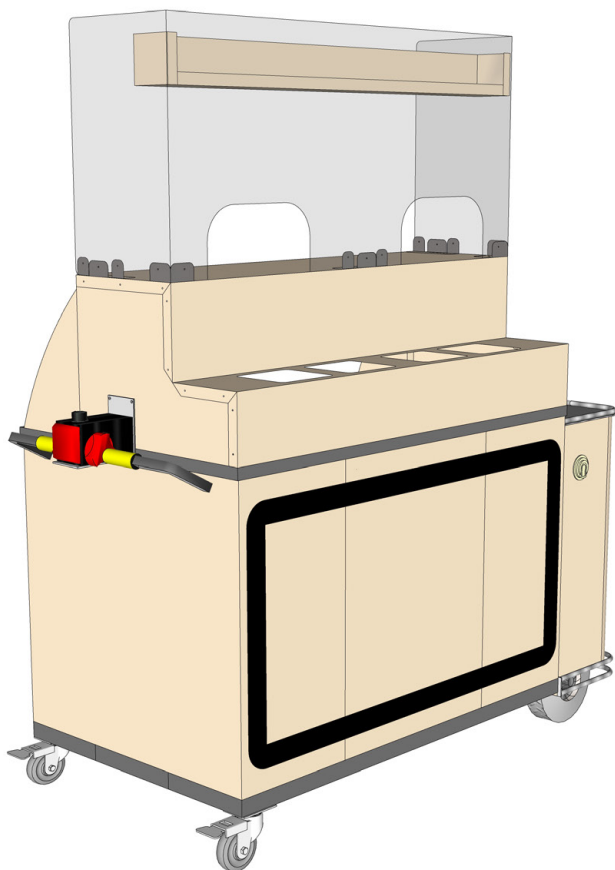
DAISY FOOD CART



The Ultimate **ELECTRIC** Cart



- Designed specifically for meals. **Breakfast And Lunch**
- Electric Powered. Charge With Standard Power Outlet**
- Internal Pan Racks Included
- Transparent Barrier With Product Display Included
- Custom Graphics Included
- Cash Drawer Included
- Fruit /Condiment Ports Included



New Design For 2021!

2020 Version



The **Daisy Cart** is designed for transporting across campus with ease. The functional design can be used for breakfast or lunch with plenty of capacity to serve remotely with one trip. Increase meal distribution or a la carte sales.

Your staff injuries are a thing of the past.

K-12 Food Service Point of Sale



Pricing

Electric Powered Daisy Cart

\$8210-Qty Discounts Available

Options

Umbrella-\$440

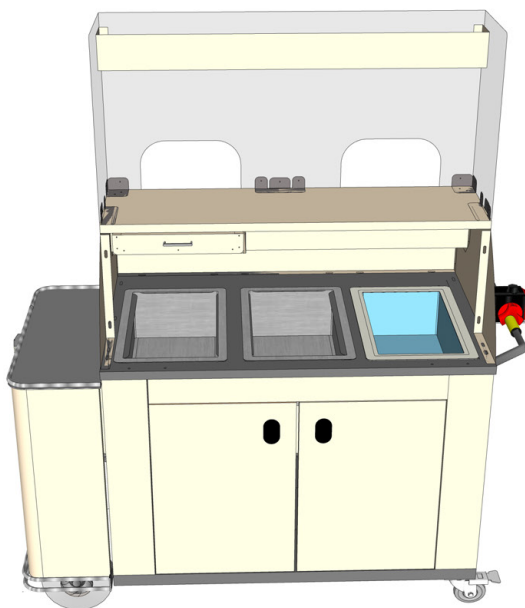
Food Warming Bags

(Includes) Electric Heating Plate-\$325

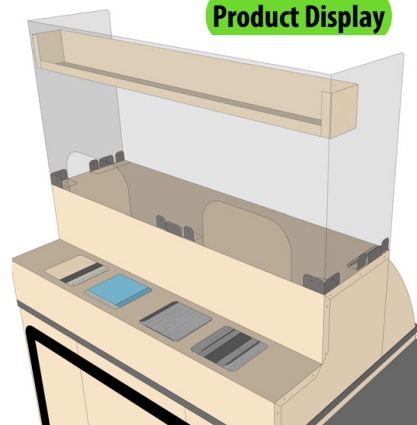
Recharge Freezable Hotel Pans- \$179

Inverter

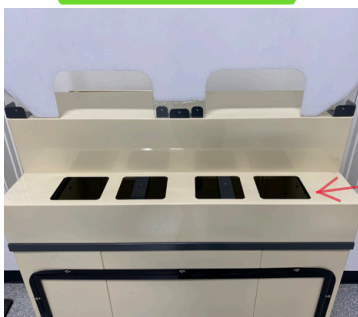
(to power POS system)-\$1210



(3) Sided Clear Barrier With Product Display



Hotel Pan Ports-
For Condiments Or Fruit



Cash Drawer(included)



Umbrella Option



Internal Pan Racks(included)



Interchangeable
Graphic Panels

Custom Graphics
Included



Contact:

(619) 562-1486

www.servesmart.net



Add the optional Daisy Food Cart components to create a self-contained point of sale:

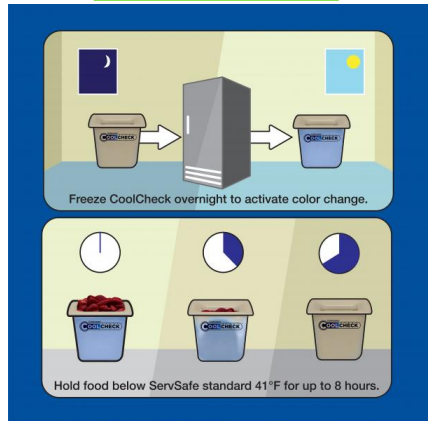
- Heated Food Warming Bags(with Heat Plates)
- Gel Refrigerant Pans



Optional Heated Warming Bags With Heating Plate Keep Food Warm For 4 Hours



Optional Gel Refrigerant Pans- Keep Food/Beverages Cold



Custom Graphics Included



Interchangeable Graphic Panels

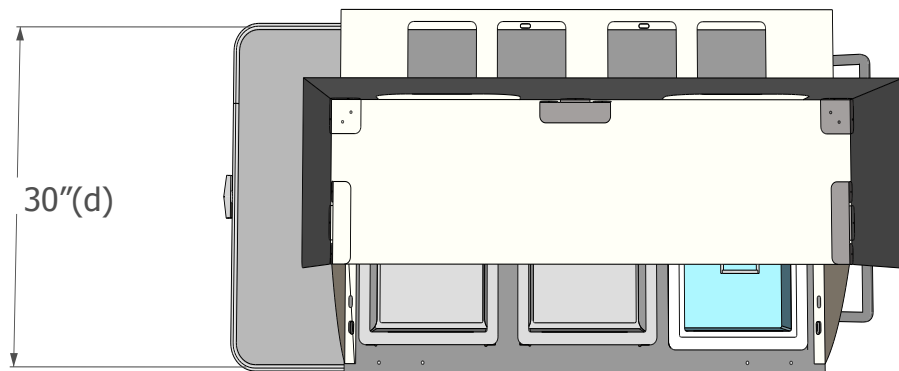
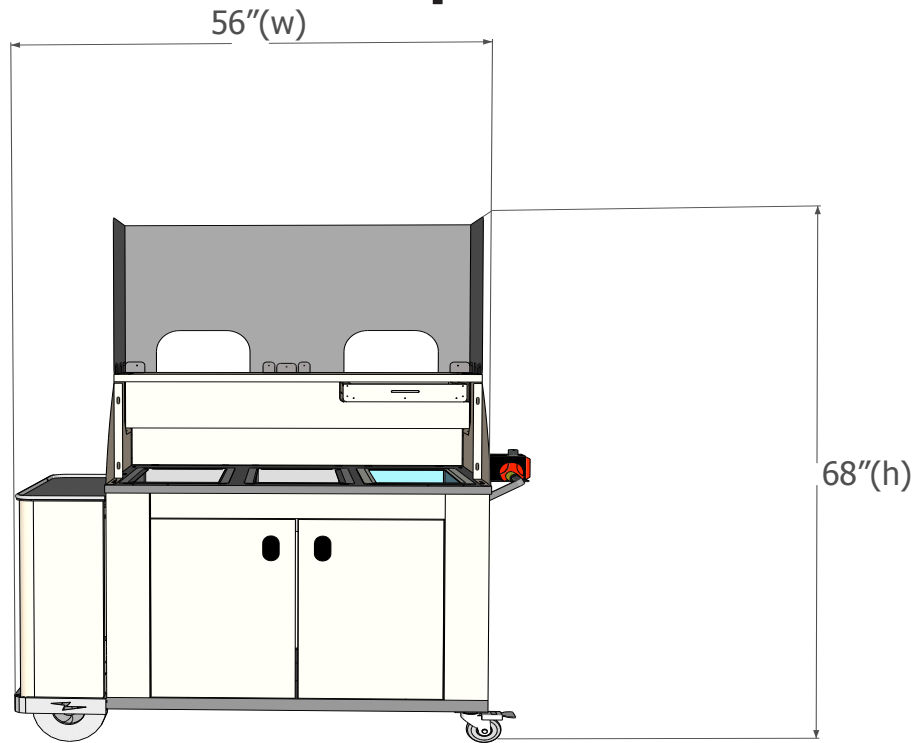


SERVESMART K-12 PRODUCTS
© 2014 Washington USD
 10.25.15
 Westfield Village Dairy Cart

Contact:
 (619) 562-1486
 www.servesmart.net



Specifications



Daisy Cart Standard Features:

- 24 volt electrical system
- Durable trans-axle drive
- Maintenance Free Batteries with Built-in Charger (2-33 AH) Automatic braking (dynamic regenerative)
- Automatic parking brake
- Stop Switch (Belly Bump)
- Variable Speed Control (Curtis 110 AMP)
- LED Battery level gauge
- 4-Wheel Unit, Pneumatic Drive Tires, Poly Casters
- Key switch-Maximum Travel Speed: 2.6 MPH