

# Quick Cafe MiniMAX

## The Portable Equipment Storage Solution

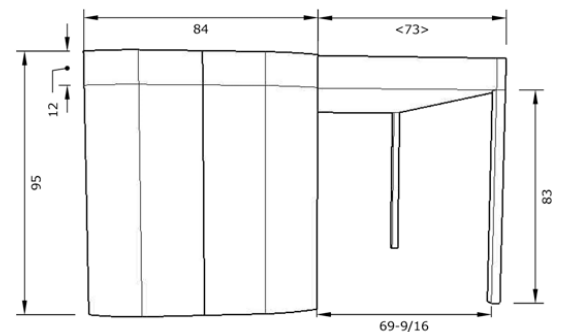
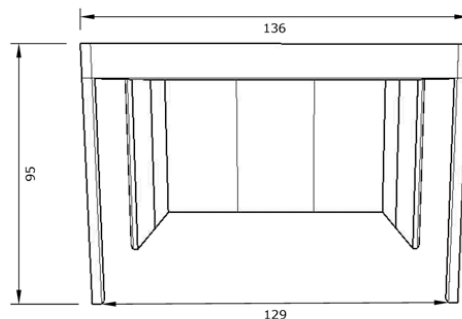
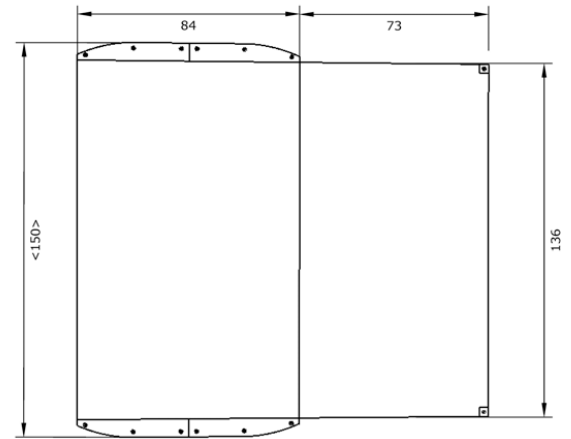
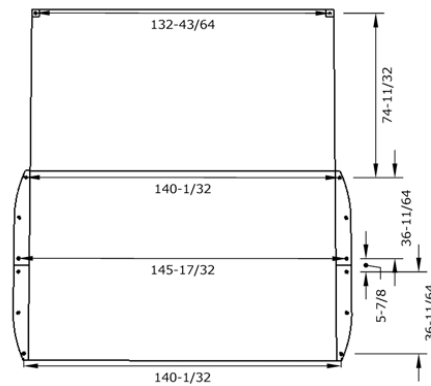
**Door Operator:** LiftMaster  
**Safety Standards**

- Meets UL 325 Safety Standards
  - Commercial Safety Sensors
  - Safeguard facility access with Security + 2.0 technology, opening for registered devices only
    - Battery back-up included
  - Mechanical door release included
    - Commercial Power Current Rating
- 120V AC, 60Hz Voltage, 1.5A Current Rating  
 UL® Listed



### Specifications:

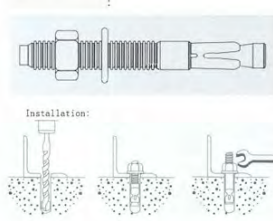
- Steel panel construction: 16ga Elctro Galvanize (EG)
- Aluminum panel construction: 5052-H32
- Molding construction: 5052-H32 Aluminum
- Door construction: G96 galvanize. max WL 80mph
- Finish: Polyurethane powder coat.
- Ad Panels: Lexan .125
- Stainless Exterior Hardware
- Max WL: 848.16lbs (rear) (52.9mph wind gust)
- Max WL: 1293lbs (side) (115mph wind gust)
- Snow load: 18.8 PSF
- Weight: 1290lbs



# Quick Cafe MiniMAX

## The Portable Equipment Storage Solution

**Anchor Detail-Standard Quick Cafe:**  
**CONFAST® Galvanized Wedge Anchors**  
**HOT-DIPPED GALVANIZED**  
**STAINLESS STEEL CLIP**  
**Qty(8)- 5 1/2" Wedge Anchors-Enclosure**  
**Qty(2)-5 1/2" Wedge Anchors-Awning**



### Products specifications

BIT SIZE	1/2"
BOX QTY	25
MINIMUM EMBEDMENT	2-1/4"
WRENCH SIZE FOR NUT	3/4"
PRIMARY	Concrete only
THREAD TYPE	1/2" - 13
MINIMUM EDGE DISTANCE	2-1/2"
MAXIMUM FIXTURE THICKNESS	2-3/4"
MINIMUM FIXTURE HOLE DIAMETER (IN PLACE)	5/8"
MINIMUM FIXTURE HOLE DIAMETER (HOLE SPOTTED)	1/2"
LENGTH ID CODE	1
BRAND NAME	CONFAST®
MINIMUM SPACING	5"
MAXIMUM TORQUE	50 - 60 ft./lbs.
THREAD LENGTH	4"
2000 PSI CONCRETE - PULL-OUT (LBS.) *	2999
2000 PSI CONCRETE - SHEAR (LBS.) *	5564
LENGTH MEASUREMENT	End to End
DIAMETER	1/2"
LENGTH	5-1/2"
MATERIAL	Hot-Dipped Galvanized
ENVIRONMENT	Damp
TYPE	Male

