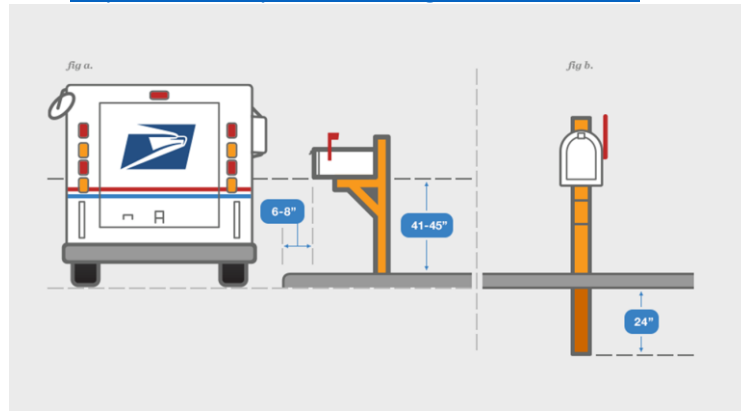


Brookside of Superior Township  
Mailbox Standards  
November 2019

- All mailboxes will be metal boxes. No plastic material will be acceptable.
- The use of square boxes is no longer needed however can be utilized at the co-owner discretion.
- Colors are as follows:
  - **Mailbox – Sherwin Williams SW 6074 Spalding Grey Exterior**
  - **Mailbox Stands – Sherwin Williams 3040 Cottonwood Exterior Solid Color Stain**
- Measurements are between 41 – 45 inches from the top of the curb to the bottom of the mailbox. The mailboxes should be at least 6 – 8 inches to the curb.
- Many posts are rotten at the base (new hole can be located next to the original post), thus need to be replaced
- If the condition of the original mailboxes is still good (no doors missing or large dents), they can still be used.
- Many homeowners have eliminated the box but have not raised the post. According to the USPS mailbox regulations, there is a requirement of 41 – 45 inches from the top of the curb to bottom of the box. Please see <https://www.usps.com/manage/mailboxes.htm> for more details.



**Material List:**

**Wood (notes that approximate costs have been obtained from Home Depot/Lowe's. Costs may vary depending on location)**

- 1 – 4 x 4, 8 ft. treated wood (approx. cost ~ \$8.27)
- 1 – 1 x 4, 6 ft. treated wood (approx. cost ~ \$4.97)
- 1 – 1 x 6, 6 ft. treated wood (approx. cost ~ \$7.08)
- Mailbox mounting board steel (approx. cost ~ \$10.97) or wood (approx. cost ~ \$3.38)
- 1 small sheet Plywood 4 x 4 x 1 inch (approx. cost ~ \$5.00)

**Screws**

- Wood screws 3 inch or 2 ½ inch

**Cement**

- Quickrete (red bag) 50 lb. bag (approx. cost ~ \$ 5.80)

**New Mailbox**

- Home Depot – Gibraltar mailbox approx. \$19.88
- Lowes – Gibraltar mailbox 7 inch x 9.5 inch approx. \$15.98

**Mailbox Numbers**

- Mailbox numbers approx. \$0.20 each

**Paint**

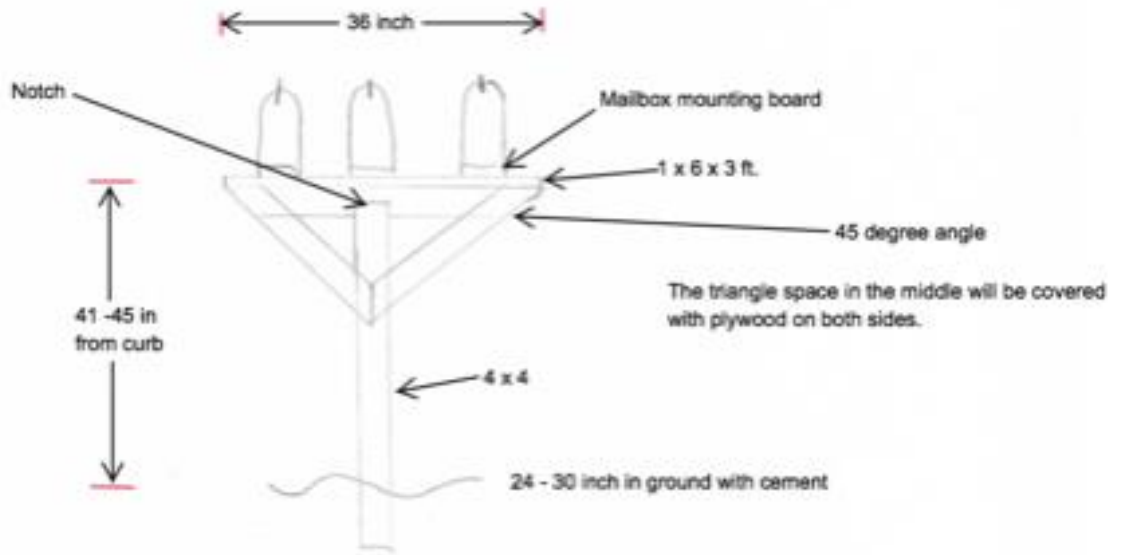
**Mailbox – Sherwin Williams SW 6074 Spalding Grey Exterior**

**Mailbox Post – Sherwin Williams 3040 Cottonwood Exterior Solid Color Stain**

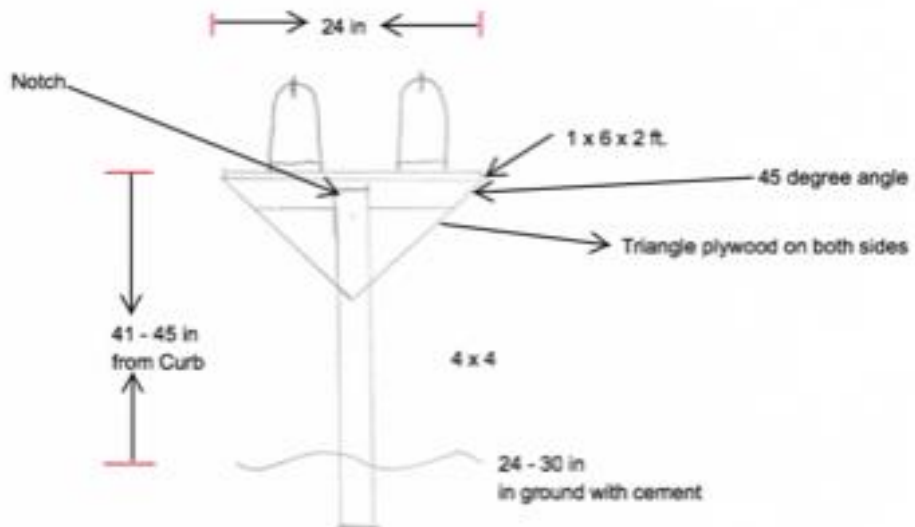
**Mailbox Numbers – Hillman 1-1/2-Reflective Black at Lowes \$0.78 each**

Brookside of Superior Township  
Mailbox Standards  
November 2019

Measurements for a 3 mailbox system



Measurements for a 2 box mailbox system



Brookside of Superior Township  
Mailbox Standards  
November 2019

**Acceptable**



Brookside of Superior Township  
Mailbox Standards  
November 2019

**Not Acceptable**

