

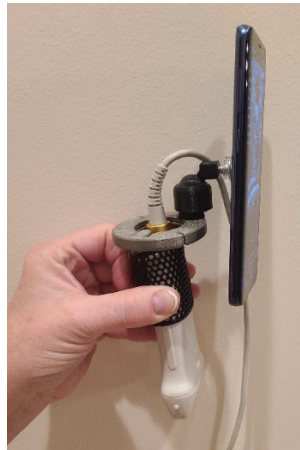
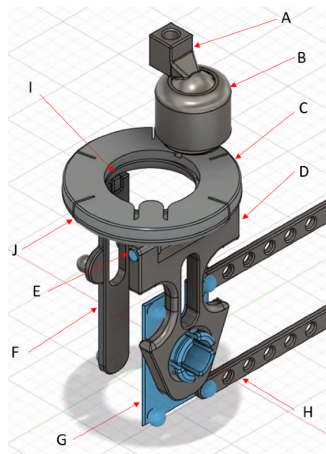


POCUS PLUS, LLC

POCUS PLUS, LLC was established with the mission to develop accessory hardware, software, and educational material for the rapidly expanding field of point of care ultrasound (POCUS). As part of its mission POCUS PLUS, LLC, has developed a revolutionary device that enhances the performance of any hand-held point of care ultrasound probe. The DLS 360 securely couples the display screen to the ultrasound probe, allowing 360 degrees rotation in both portrait and landscape positions. Our patented device provides, never before available, direct-line-of-sight views of the desired region of interest in all planes during scanning.

By eliminating the awkward practice of holding the display screen in the opposing hand or the use of an assistant, scan performance is enhanced, and cost reduced. With the DLS 360, there is no need to place the display on the bedside or on a nearby table to capture an image or make screen adjustments.

In addition to full 360 degrees rotation, the display may also be angled during use for optimal screen positioning. Ultrasound guided procedures including injections, nerve blocks, biopsies, drainage procedures and vascular access are greatly facilitated by the direct line-of-sight and single-hand use. The design is elegantly simple and ultra-light weight, permitting the DLS 360 to be easily used in all sterile and non-sterile settings. Although designed for single use, it can be reused if desired and is disposable or recyclable. The DLS 360 improves the performance of ALL point-of-care ultrasound exams and procedures and will become a must have for anyone performing handheld point of care ultrasound.



DLS 360

POCUS PLUS, LLC has also developed training blocks for vascular, nervous system and organ specific procedures. These training blocks are made of ultrasound compatible material and can be used by healthcare professionals to obtain proficiency in basic as well as more complex POCUS guided procedures. We have worked with software engineers to develop applications which guide and instruct the healthcare provider during the performance of POCUS procedures. In addition, POCUS PLUS, LLC has also worked with Rachel Hall RN MSN PhD to write educational material "Vascular Intervention and Education for Nursing" (V.E.I.N.) specific to POCUS. We look forward to the opportunity to further discuss our products.

Please visit our website at: pocusplusllc.com or dls360.com