

Suitable to pack Food, Beverage, Pharmaceutical and Consumer Electronic Products

Vision-parallel robot



Basic construction:

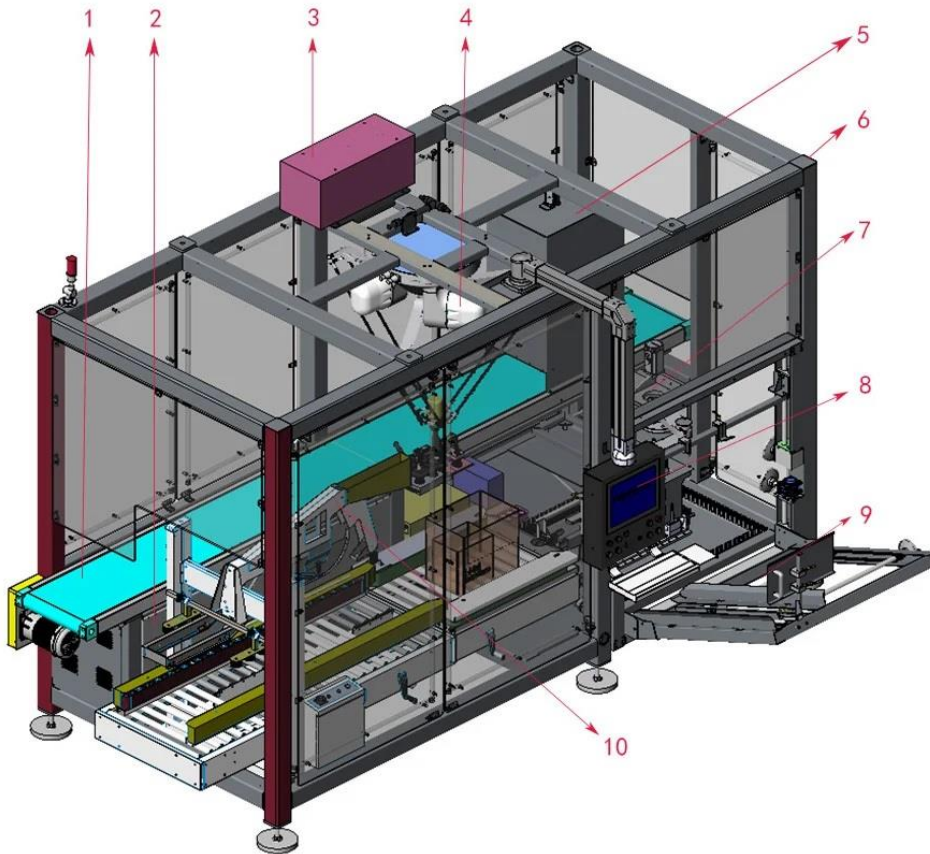
Mild steel or stainless-steel construction, designed to provide maximum flexibility, performance, and reliability in an extremely small footprint. The CWL – WSC-1200 robotic case packer is suitable for the most demanding and space – conscious production environments.

Our top load case and tray packer can be customized to meet your case load pattern and is designed for loading flexible or rigid products. They allow for efficient case packing and come in a variety of layouts to accommodate almost any product.

Vision - Based Robot Load Flexible Products into Cases Efficiently.

The CWL – WSC-1200 robotic case packer is the perfect machine for contract packagers and manufacturers serving the food Industry.

Case Packer with Single Robot Speed up to 120 ppm



3 in 1 Case packing system
Machine details

1. Infeed conveyor
2. Electronic box
3. Vacuum pump
4. Delta robot
5. Vision system
6. Frame
7. Case erector
8. HMI
9. Case storage area
10. Case sealer

Case Packer can be Integrated into your Packing Line

Our Robotic Case Packers are expertly crafted to handle a wide range of products, from cartons and trays to bottles, bags, chubs, and even stacks of paper. Our in-house team of Engineers has designed custom end - of – arm tooling to ensure seamless handling. With our vast experience in successful robotic application, we can help you design a tailored solution that perfectly meets your unique package requirements.



Case Erector

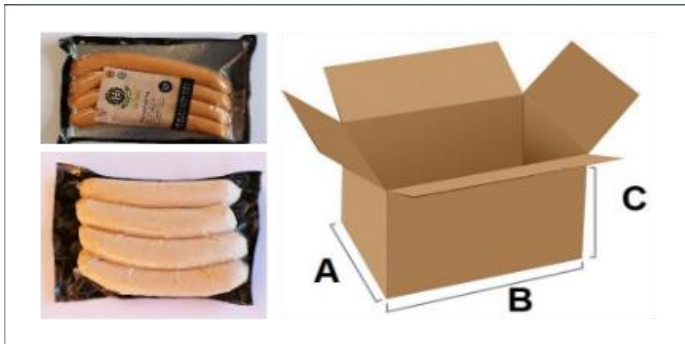
Case Packer

Case Sealer

3 in 1 Case Packing System

Case Size Range:

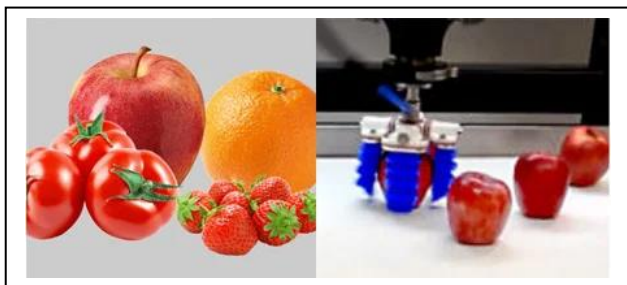
- A = 100 - 400 mm
- B = 100 - 400 mm
- C = 150 - 300 mm



DELTA ROBOT



A Perfect Solution for Packaging Various Products.



Simple Control

Austrian KEBA Control System is used in 3-in-1 packaging system, stressing on **USABILITY** and visualization. Packing plan can be setup by operator in a matter of minutes.



Product Random Orientation

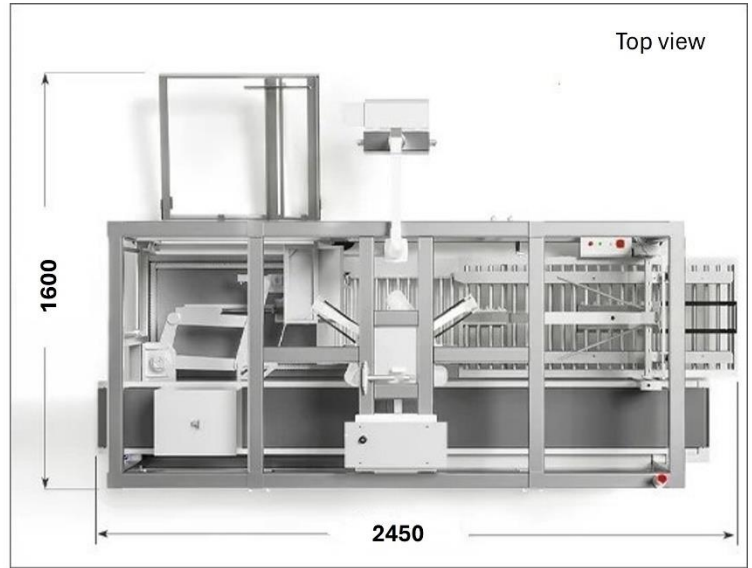
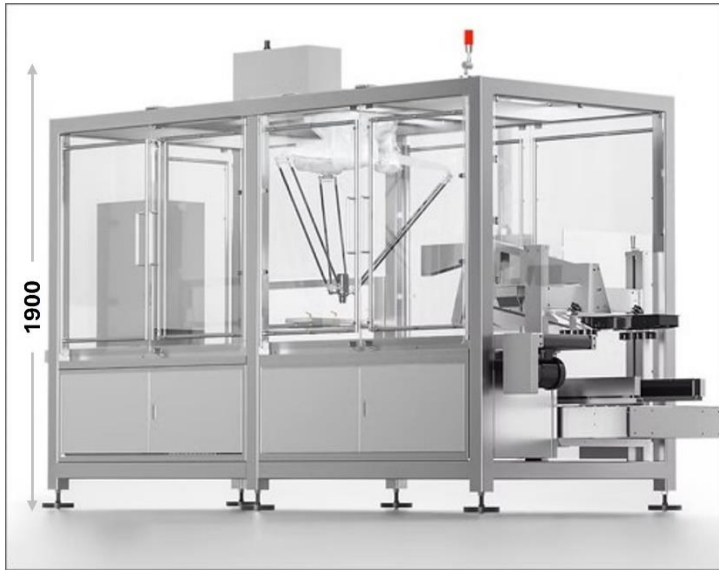
Pouches coming from conveyor in random placement can be quickly recognized, picked accurately, and placed orderly.

Easy Maintenance

Our machine is stable and reliable with few vulnerable parts. We also provide certain spare parts freely enough for you to use 2+ years, super cost-effective price to you if want more spare parts.



DIMENSION



SPECIFICATION

Name	CWL- WSC M 1200 Top Load Case Packer	CWL Top Load Case Packer
Allowable Bags Size	L50-500*W50-450*H5-100 (mm)	Dual /Option
Allowable Cases Size	L260-500*W200-450*H150-400 (mm)	
Case Material Requirements	≥ 3-layer corrugated paper	
Robot Speed	40-120PPM, different products, (speed may vary.)	Up to 220PPM
Case Erector Speed	8 per min (depend on product)	
Conveyor Belt Height	Infeed:H950mm; Outfeed:H540mm	
Robot Payload	5kg, include EOAT	
Controller	KEBA	
instruction Types	PTP、LINE、PLACE	
Pressure	0.6-0.8Mpa	
Protocol	Ether CAT, Modbus TCP/IP, CAN, RS485	
Frame Material	Carbon Steel / SUS304#Stainless Steel	
IP Level	IP- 64	
OAT	5-45°C	
Ambient Humidity	≤75% (No condensation)	
Voltage	3 phase,380V/Customization	
Power	8KW	
Noise Level	≤85 dB	
Overall size one Robot	L 2450 x W 1600 x H 1900 mm	L 4250 x W 1680 x H 420 mm
Weight	1680 kg	1900 kg

Baumann Provide Global Remote Technical Support.

Our local team offer Door-to-Door Installation and Maintenance Services.

Trial testing welcome.