



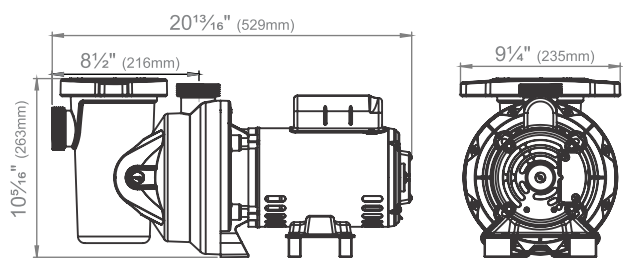
swimming pool
PUMPS



SEASTAR

HydraFLOW 75 / 100

Self-priming pumps ¾HP / 1HP



Features:

- Open Drip Proof - ODP
- Induction Squirrel cage motor.
- Advanced hydraulic design.
- Pump housing and impeller made of high reinforced plastic.
- Voltage: 115VCA -230VCA Selectable - 60Hz.
- One Year warranty.
- 1 per case.

Ergonomic lid handles with quick-release quarter turn 4-point locking lid.



High resistance, self-aligning PP strainer basket.

High efficiency design.

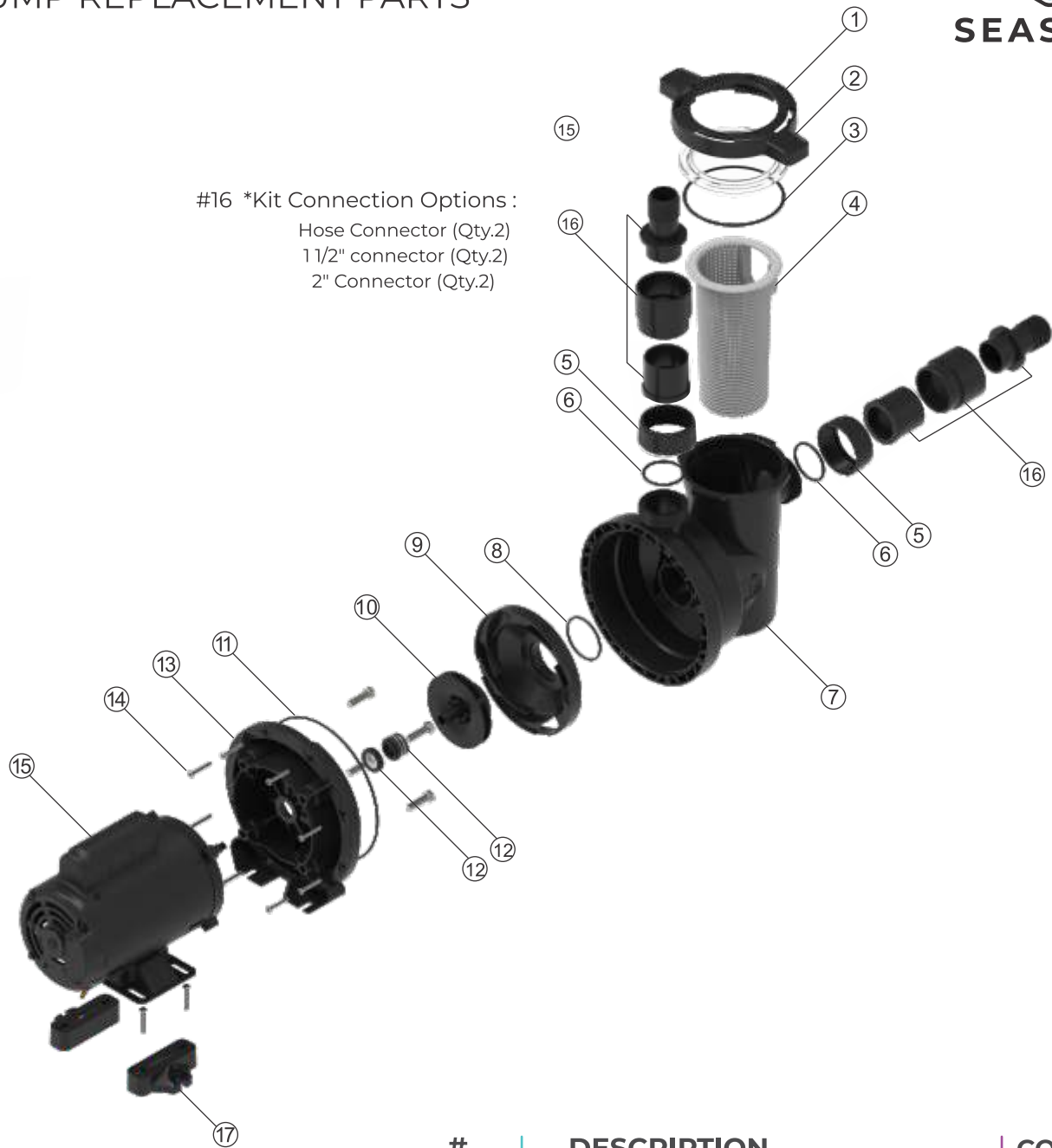


D= 2" and 1½" adapters supplied.



Two 1.5" Hose connector included

PUMP REPLACEMENT PARTS



#16 *Kit Connection Options :
 Hose Connector (Qty.2)
 1 1/2" connector (Qty.2)
 2" Connector (Qty.2)

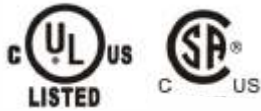
| # | DESCRIPTION | CODE |
|----|--|------------|
| 1 | Strainer Cover Kit (Includes Strainer Cover, Lock Ring & O-Ring) | 5200002 |
| 2 | Pump Locking ring visor | 5200003 |
| 3 | O´Ring | 5210009 |
| 4 | Pump Basket | 5200004 |
| 5 | Nut (Qty. 2) | 5200005 |
| 6 | O´Ring #223 (Qty. 2) | 52000096 |
| 7 | Body | 5200011 |
| 8 | O´Ring #222 | 52000196 |
| 9 | Difuser | 5200007 |
| 10 | Impeller | 5200012/13 |
| 11 | O´Ring | 5220009 |
| 12 | Seal, ceramic | 5200014 |
| 13 | Seal plate | 5200015 |
| 14 | Screws (Qty.16) | 5100001 |
| 15 | Pump motor | 5200000 |
| 16 | Kit Connection Options * (Qty. 6) | 12002060 |
| 17 | Base (Qty. 2) | 5200016 |



SEASTAR

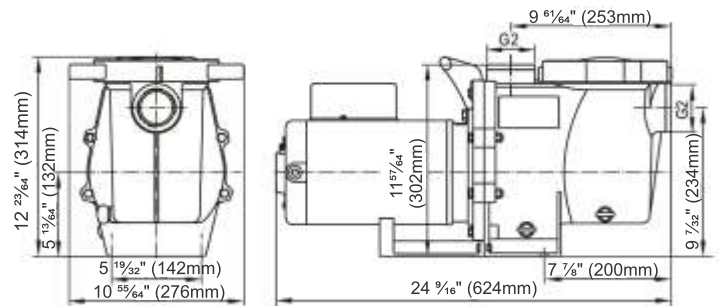
HydraFlow 150

1.5 HP



Features:

- Standard dimensions.
- Stainless Steel inlet and outlet reinforcements.
- One-piece handle, easier to carry and install.



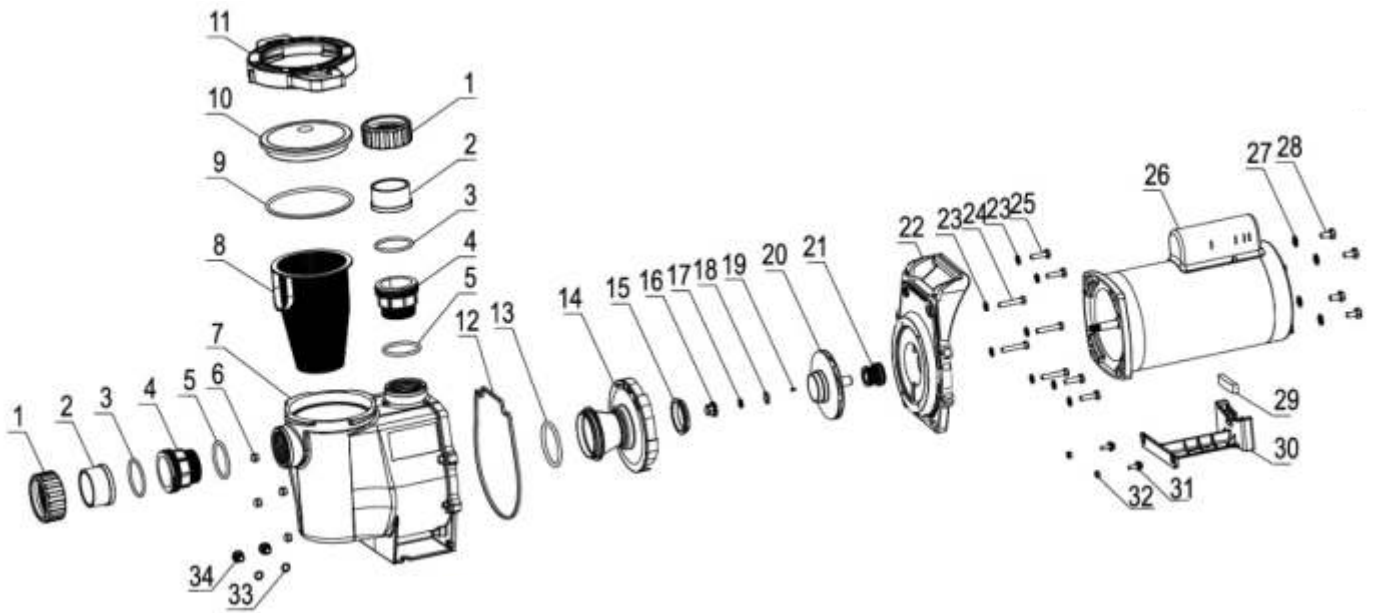
Stainless Steel Rings
on discharge and
intake ports



Reducer Union

| Model | (V) | (Hz) | (Amps) | Fitting Size | Hmax (ft) | Qmax (gal/min) | Power Kw | HP | G.W (lbs) |
|---------------|-------------|------|----------------|--------------|-----------|----------------|----------|-----|-----------|
| Hydraflow 150 | 110/220-230 | 60 | 13.8/6.9 - 6.6 | 2" | 68.9 | 113.6 | 1.1 | 1.5 | 46.3 |

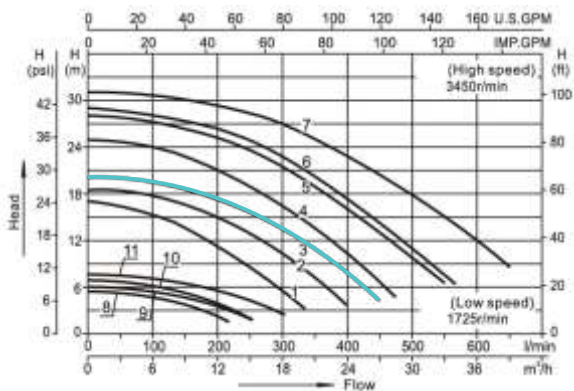
PUMP REPLACEMENT PARTS



| # | DESCRIPTION |
|----|----------------------------------|
| 1 | Tie-in Nut |
| 2 | Tie |
| 3 | O´Ring |
| 4 | Transition Union |
| 5 | O´Ring |
| 6 | Acorn nut |
| 7 | Pump Casing |
| 8 | Filter |
| 9 | O´Ring |
| 10 | Transparent Cover |
| 11 | Gland cover of transparent cover |
| 12 | Gasket |
| 13 | O´Ring |
| 14 | Guide vane assembly |
| 15 | Impeller activity ring |
| 16 | Impeller nut |
| 17 | Spring washer |

| # | DESCRIPTION |
|----|--|
| 18 | O´Ring |
| 19 | Flat key |
| 20 | Impeller |
| 21 | Mechanical seal |
| 22 | Difusser |
| 23 | Washer |
| 24 | Hexagon bolt |
| 25 | Hexagon bolt |
| 26 | Motor |
| 27 | Washer |
| 28 | Hexagon bolt |
| 29 | Plastic strips |
| 30 | Base |
| 31 | Hexagon head bolt and plain washer assy. |
| 32 | Hexagon nut |
| 33 | O´Ring |
| 34 | Plug |

PERFORMANCE CURVE #3





SEASTAR

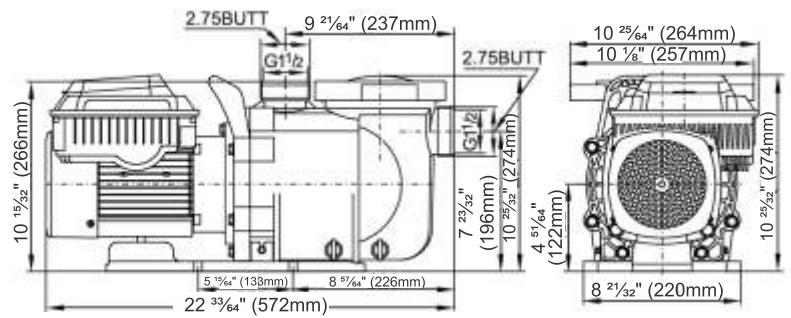
HydraFlow 220 VSP

Variable Speed Pump 2.2HP



Features:

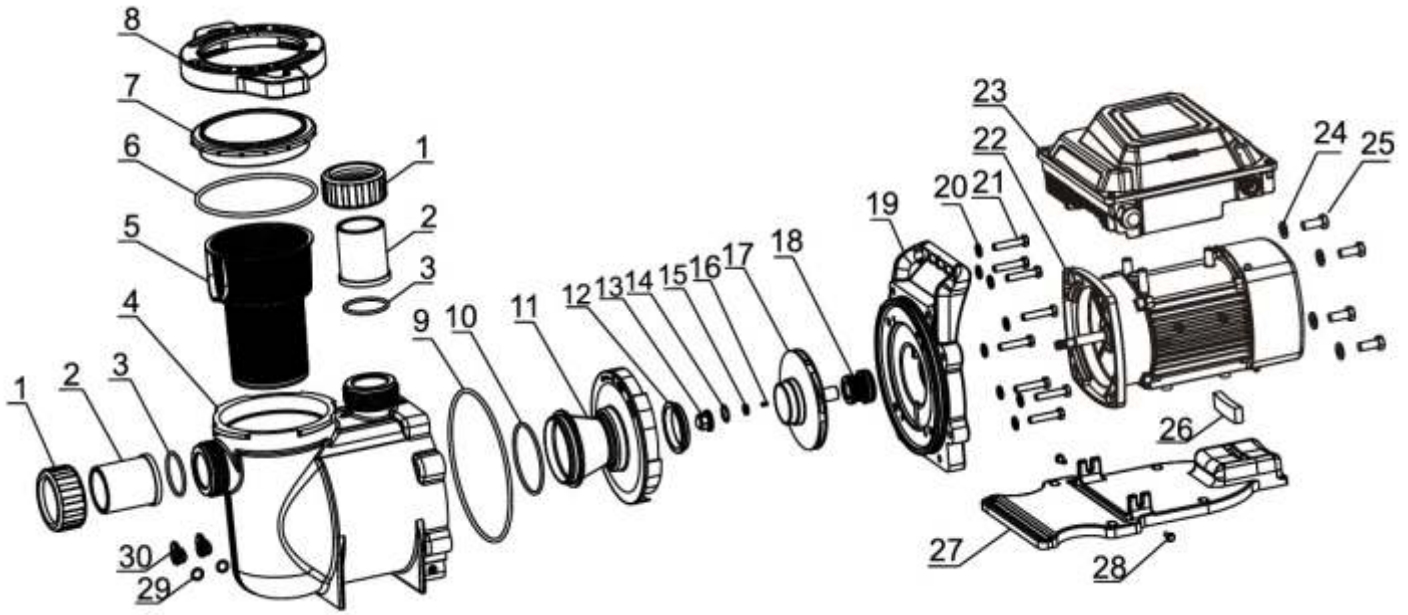
- V/F Speed Control: Precise regulation via a cell phone app or display keypad. The unit features a rotatable design for flexible installation.
- Dual Operating Modes: Select between Manual (default) or Automatic modes.
- Customizable Speeds: * Presets: 3000, 1400, and 2200 RPM. Range: Fully adjustable between 450–3450 RPM.
- Remote Operation: Supports control via external keyboard or RS485 communication (one at a time).
- Efficiency & Safety: Energy-saving design with built-in electronic protection.



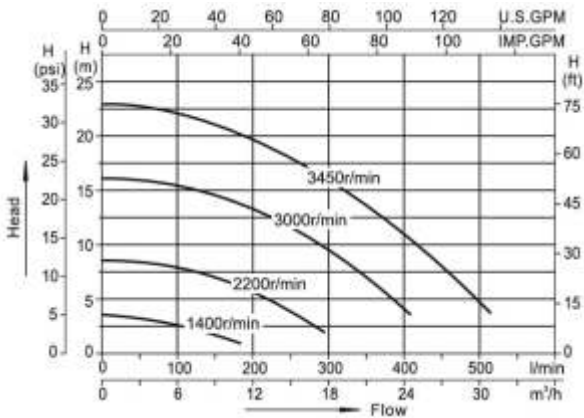
2"

| Model | (V) | (Hz) | (THP) | (Amps) | (WEF) | Hmax (ft) | Qmax (gal/min) | Fitting Size (inches) | G.W (lbs) |
|------------------|--------------------|-------|-------|---------------------------|-------|-----------|----------------|-----------------------|-----------|
| Hydraflow220 VSP | 110 110/220-230 | 50/60 | 2.2 | 14.43 14.43/8.03 -7.40 | 8.8 | 75.4 | 134.7 | 2" | 39.7 |

PUMP REPLACEMENT PARTS



PERFORMANCE CURVE



DESCRIPTION

| | |
|----|--|
| 1 | Tie-in Nut |
| 2 | Tie |
| 3 | O´ Ring |
| 4 | Pump Casing |
| 5 | Filter |
| 6 | O´ Ring |
| 7 | Transparent Cover |
| 8 | Gland cover of transparent cover |
| 9 | O´ Ring |
| 10 | O´ Ring |
| 11 | Guide vane Assembly |
| 12 | Activities Ring |
| 13 | Impeller Nut |
| 14 | O´ Ring |
| 15 | Spring washer |
| 16 | Flat Key |
| 17 | Impeller |
| 18 | Mechanical seal |
| 19 | Pump Cover |
| 20 | Washer |
| 21 | Hexagon bolt |
| 22 | Motor |
| 23 | Controller |
| 24 | Washer |
| 25 | Hexagon bolt |
| 26 | Plastic strips |
| 27 | Base |
| 28 | Hexagon head bolt and plain washer assy. |
| 29 | O´ Ring |
| 30 | Plug |



SEASTAR

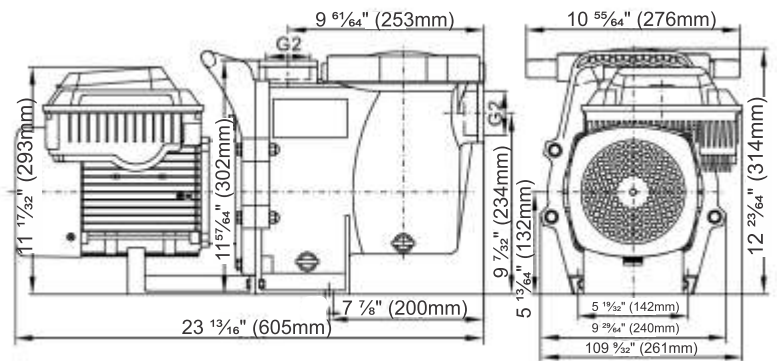
HydraFlow 390 VSP

Variable Speed Pump 3.9 HP



Features:

- V/F Speed Control: Features a V/F mode controller for precise speed management. Includes an optional cell phone app or display keypad and a rotatable installation design.
- Dual Modes: Offers Manual (factory default) and Automatic operating modes.
- Speed Settings: * Automatic Presets: 3000, 1400, and 2200 RPM. Custom Range: Fully adjustable between 450–3450 RPM.
- Manual Control: Allows users to select and modify speed.
- Remote Operation: Can be controlled via cell phone app or RS485 communication (one method at a time).
- Efficiency & Safety: Energy-efficient design with integrated electronic protection.



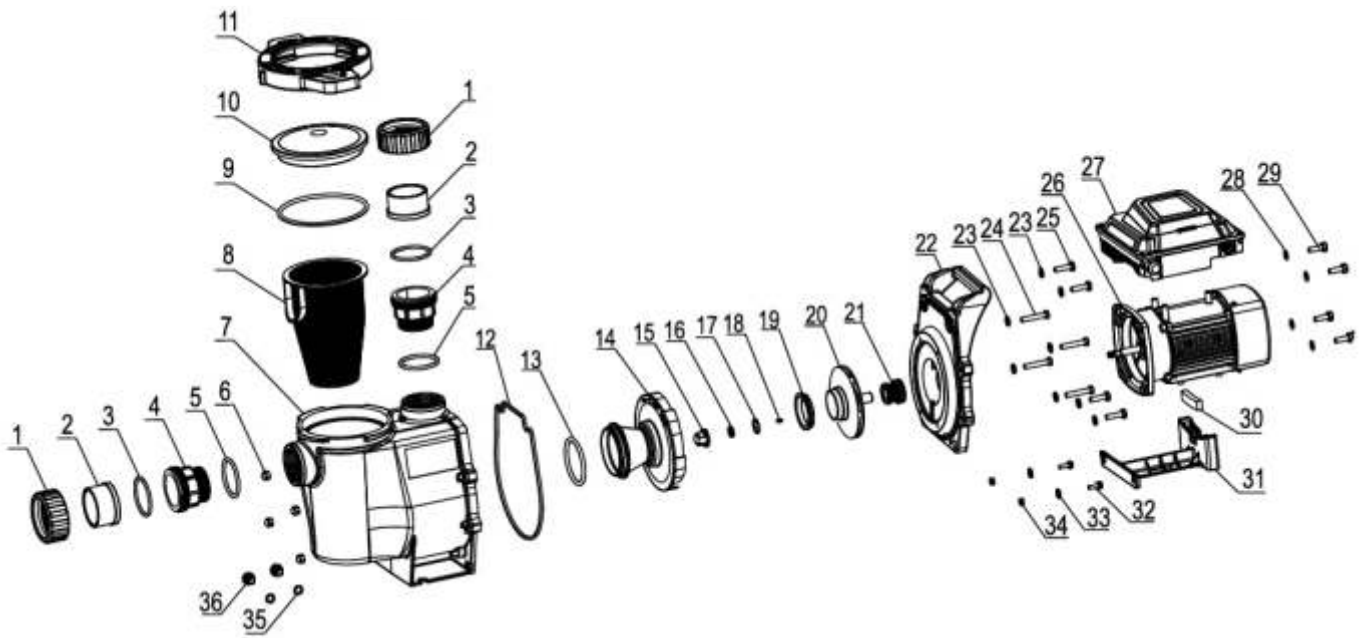
Stainless Steel Rings on discharge and intake ports



Reducer Union

| Model | (V) | (Hz) | (THP) | (Amps) | (WEF) | Hmax (ft) | Qmax (gal/min) | Fitting Size (inches) | G.W (lbs) |
|-------------------|-----|-------|-------|--------|-------|-----------|----------------|-----------------------|-----------|
| Hydraflow 390 VSP | 220 | 50/60 | 3.9 | 13.59 | 7.3 | 88.6 | 171.7 | 2" | 52.03 |

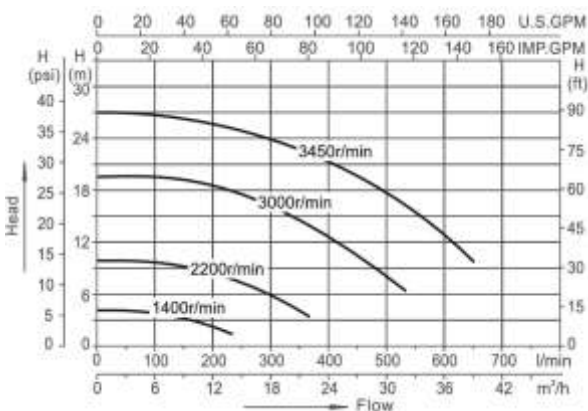
PUMP REPLACEMENT PARTS



| # | DESCRIPTION |
|----|----------------------------------|
| 1 | Tie-in Nut |
| 2 | Tie |
| 3 | O´Ring |
| 4 | Transition Union |
| 5 | O´Ring |
| 6 | Acorn nut |
| 7 | Pump Casing |
| 8 | Filter |
| 9 | O´Ring |
| 10 | Transparent Cover |
| 11 | Gland cover of transparent cover |
| 12 | Gasket |
| 13 | O´Ring |
| 14 | Guide vane assembly |
| 15 | Impeller nut |
| 16 | Spring washer |
| 17 | O´Ring |
| 18 | Flat key |

| # | DESCRIPTION |
|----|-----------------|
| 19 | Activities ring |
| 20 | Impeller |
| 21 | Mechanical seal |
| 22 | Pump Cover |
| 23 | Washer |
| 24 | Hexagon screw |
| 25 | Hexagon screw |
| 26 | Motor |
| 27 | Controller |
| 28 | Washer |
| 29 | Hexagon Screw |
| 30 | Plastic Strips |
| 31 | Base |
| 32 | Hexagon screw |
| 33 | Washer |
| 34 | Hexagon nut |
| 35 | O´Ring |
| 36 | Drainage plug |

PERFORMANCE CURVE





SEASTAR[®]

www.seastarpoolaccessories.com