

PRODUCT CATALOG

BOARD TEST PRODUCTS



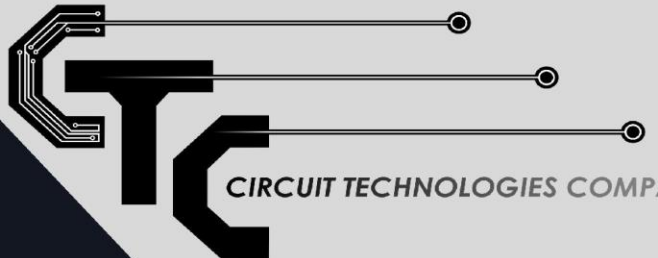
1-815-439-1662



www.circuittek.com



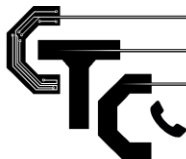
sales@circuittek.com



CIRCUIT TECHNOLOGIES COMPANY

Table of Contents

About	3
Test Pins	4
1.1" Test Pins	4
2.02" Test Pins	6
3.75" Music Wire Test Pins	8
Spring Probes and Receptacles	11
.187 Centers	11
.125 Centers	13
.100 Centers	15
.075 Centers	21
.050 Centers	23
.039 Centers	27
Kynar Wire	29
Spacers	30
Posts and Rods	31
Threaded Posts	31
Solid Rods	31
Tool Pins	32
Steel Button Tool Pins	32
Steel Cone Tip Tool Pins	33
Metal Tool Pins with Brass* Housing, Ni Plated	33
Steel Spring Loaded Tool Pins with Delrin Housing	35
Spring Loaded Delrin Tool Pins	36
Fasteners	37
SAE Screws	37
Metric Screws	37
Metric Nuts	37
Luther & Maelzer Hardware	38
Standard Pitch Spacers	38
Standard Pitch Tooling Pins	38

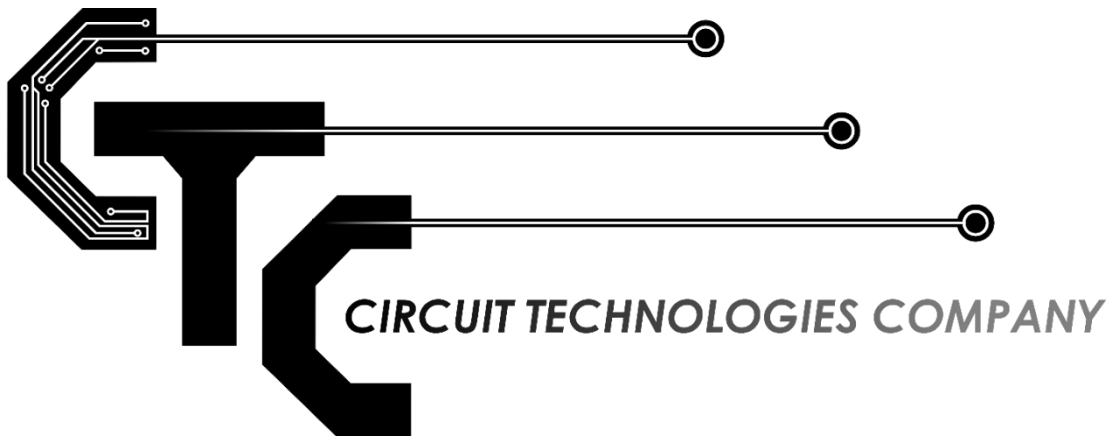


Fine Pitch Spacers	39
Fine Pitch Tooling Pins	39
Mania Accessories	41
Printing Supplies	42

For more than 25 years, Circuit Technologies has proudly served and innovated the printed circuit board test industry. This is in part to not only the superb customer relations, stellar supplier relationships, and the flexibility to meet any need at any time, but also due to the dynamic and technical sales team.

The staff, led by Al Bickner, contains 25+ years of industry experience. Coupled with PCB technical knowledge and expertise in printed circuit board testing, CTC consistently continues to deliver advanced, quality, and integral testing solutions and related products.

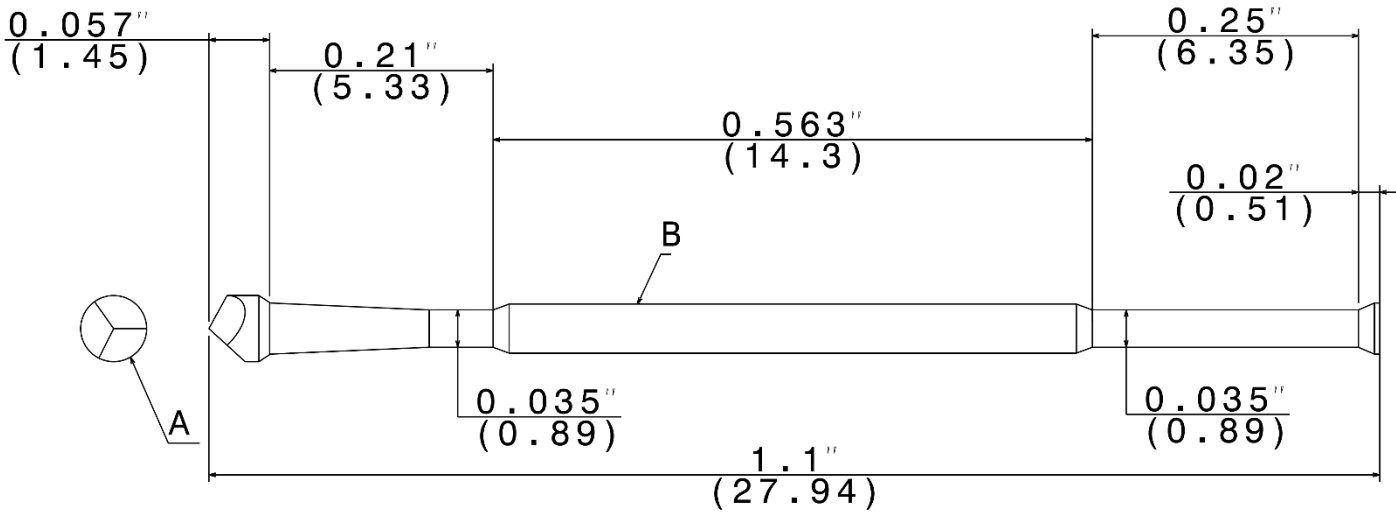
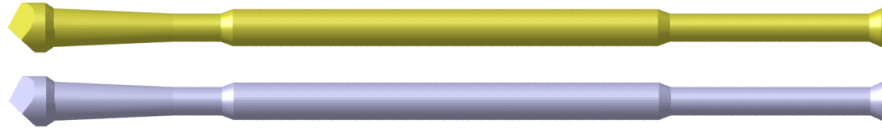
With exceptional and personal customer service as the centerpiece, CTC is poised to not only adapt to the ever-changing industry environments but maintain itself as a leader in the PCB Test field.



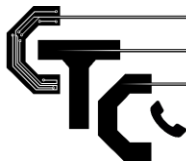
Test Pins

1.1" Test Pins

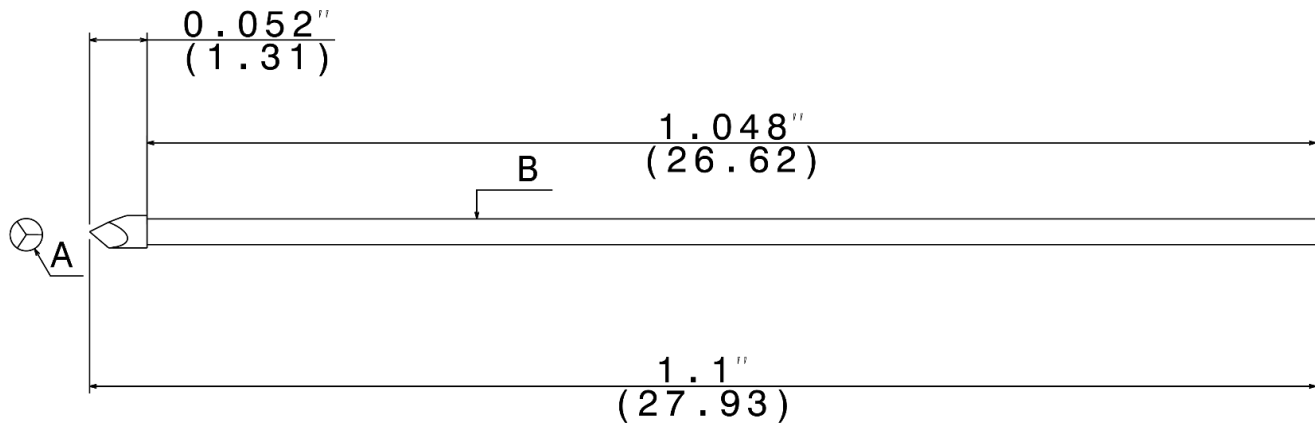
.046" & .050" Shaft



Part No.	'A' Dia. - IN (mm)	Head Style	'B' Size - IN (mm)	Plating
1-046-062-BU	.062 (1.58)	Bullet	.046 (1.17)	Nickel
1-046-060-CH	.060 (1.50)	Chisel	.046 (1.17)	Nickel
1-046-060-CH-G	.060 (1.50)	Chisel	.046 (1.17)	Gold
1-046-060-CO	.060 (1.50)	Cone	.046 (1.17)	Nickel
1-046-060-CO-G	.060 (1.50)	Cone	.046 (1.17)	Gold
1-046-075-CH-G	.075 (1.90)	Chisel	.046 (1.17)	Gold
1-046-100-CH-G	.100 (2.54)	Chisel	.046 (1.17)	Gold
1-046-130-CH-G	.130 (3.30)	Chisel	.046 (1.17)	Gold
1-046-157-CH-G	.156 (3.96)	Chisel	.050 (1.27)	Gold
1-046-200-CH-G	.200 (5.08)	Chisel	.050 (1.27)	Gold



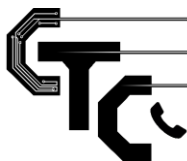
1.1'' Test Pins, .023'' Shaft



Part No.	'A' Dia. - IN (mm)	Head Style	'B' Size - IN (mm)	Plating
1-023-029-CH	.029 (.74)	Chisel	.023 (.60)	Nickel
1-023-029-CH-G	.029 (.74)	Chisel	.023 (0.60)	Gold
1-023-029-CO-G	.029 (.74)	Cone	.023 (0.60)	Gold

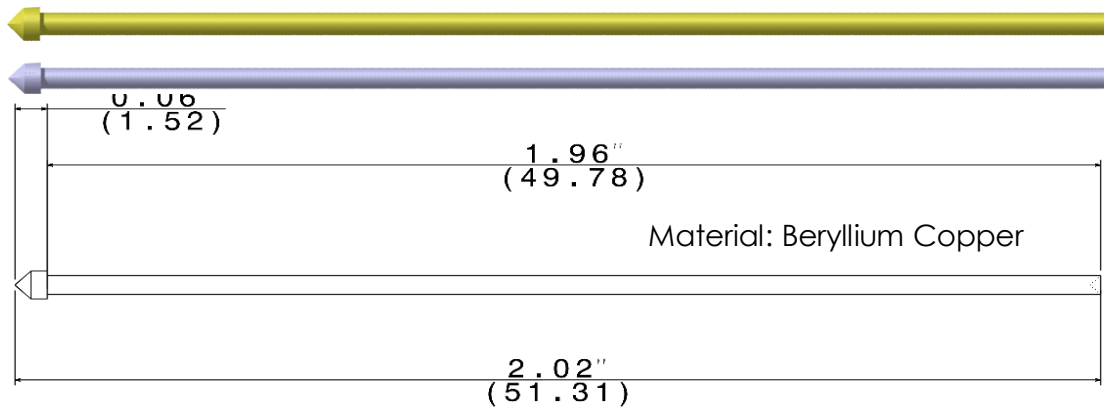
1.1'' Test Pins, .040 Shaft

Part No.	'A' Dia. - IN (mm)	Head Style	'B' Size - IN (mm)	Plating
1-040-048-BU	.048 (1.22)	Bullet	.040 (1.02)	Nickel
1-040-048-CH	.048 (1.22)	Chisel	.040 (1.02)	Nickel
1-040-029-CO	.048 (1.22)	Cone	.040 (1.02)	Nickel



2.02'' Test Pins

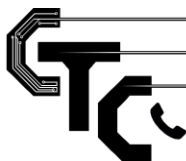
.040'' Shaft



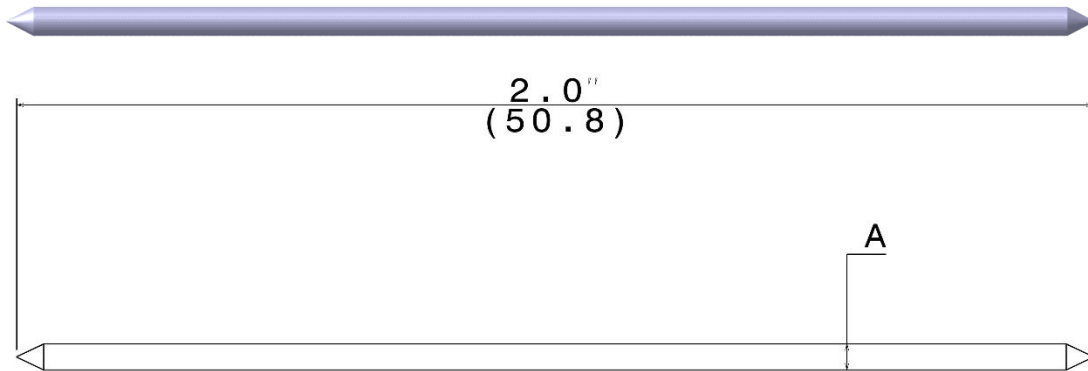
Part No.	Shaft Size - IN (mm)	Head Size - IN (mm)	Head Style	Plating
2-040-060-BU	.040 (1.016)	.060 (1.50)	Bullet	Nickel
2-040-060-BU-G	.040 (1.016)	.060 (1.50)	Bullet	Gold
2-040-060-CH-G	.040 (1.016)	.060 (1.50)	Chisel	Gold
2-040-060-CO	.040 (1.016)	.060 (1.50)	Cone	Nickel
2-040-060-CO-G	.040 (1.016)	.060 (1.50)	Cone	Gold
2-040-060-WA-G	.040 (1.016)	.060 (1.50)	Waffle	Gold
2-040-080-CH-G	.040 (1.016)	.080 (2.00)	Chisel	Gold
2-040-100-CH-G	.040 (1.016)	.100 (2.54)	Chisel	Gold
2-040-130-CH-G	.040 (1.016)	.130 (3.30)	Chisel	Gold
2-040-156-CH-G	.040 (1.016)	.156 (3.96)	Chisel	Gold
2-040-187-CH-G	.040 (1.016)	.187 (4.75)	Chisel	Gold
2-040-232-CH-G	.040 (1.016)	.232 (5.89)	Chisel	Gold

2.02'' Pins with .016'', .023'', .026'', .034'' Shaft

Part No.	Shaft Size - IN (mm)	Head Size - IN (mm)	Head Style	Plating
2-016-N-G	.016 (.41)	.016 (.41)	Needle	Gold
2-016-023-SP-G	.016 (.41)	.023 (.58)	Spear	Gold
2-023-029-BU-G	.023 (.58)	.029 (.74)	Bullet	Gold
2-023-029-CO-G	.023 (.58)	.029 (.74)	Cone	Gold
2-026-035-BU-G	.026 (.66)	.035 (.89)	Bullet	Gold
2-026-035-CO-G	.026 (.66)	.035 (.89)	Cone	Gold
2-026-035-CU-G	.026 (.66)	.035 (.89)	Cup	Gold
2-026-041-CH-G	.026 (.66)	.041 (1.04)	Chisel	Gold
2-034-042-CH-G	.034 (.86)	.042 (1.07)	Chisel	Gold

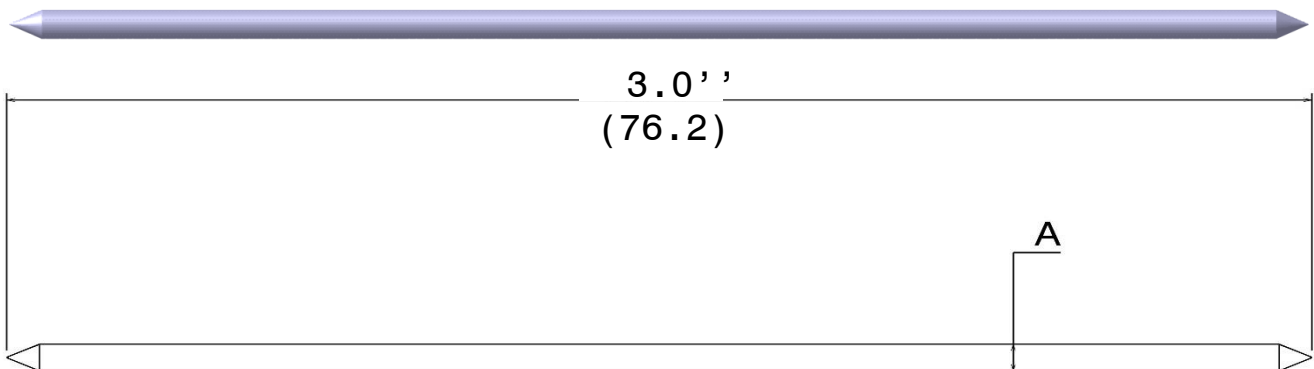


2.00'' Music Wire Test Pins

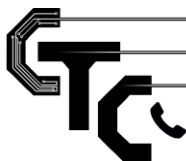


Part No.	Shaft Size (A) - IN (mm)	Material	Plating
200-032-NC	0.032 (.81)	Music Wire	Nickel
200-039-NC	0.039 (.99)	Music Wire	Nickel
200-051-NC	0.051 (1.30)	Music Wire	Nickel

3.00'' Music Wire Test Pins

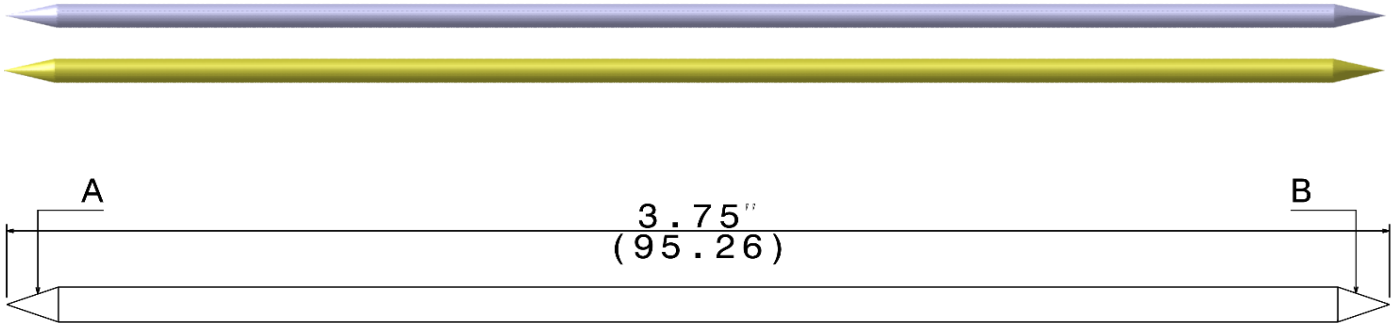


Part No.	Shaft Size (A) - IN (mm)	Material	Plating
300-032-NC	0.032 (.81)	Music Wire	Nickel
300-039-NC	0.039 (.99)	Music Wire	Nickel
300-051-NC	0.051 (1.30)	Music Wire	Nickel

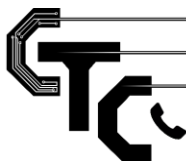


3.75'' Music Wire Test Pins

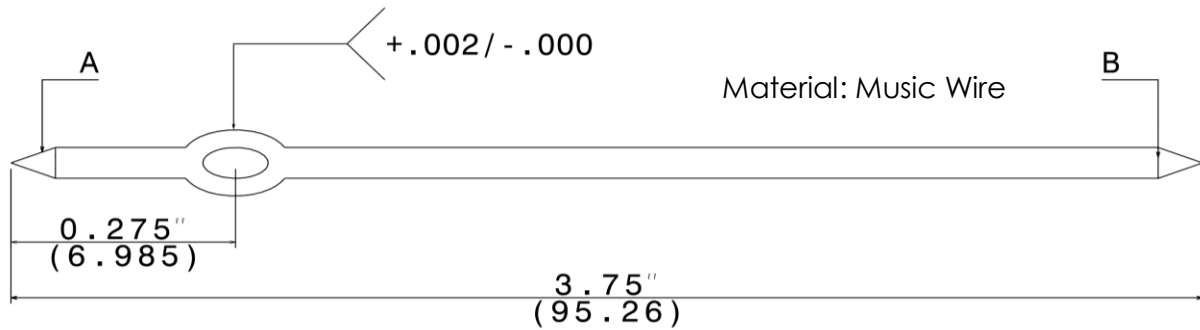
Non-Crimped



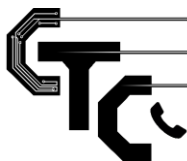
Part No.	Shaft Size - IN (mm)	Tip A	Tip B	Plating
375-006-NC	.006 (.15)	Conical	Conical	Nickel
375-008-NC	.008 (.20)	Conical	Conical	Nickel
375-010-NC	.010 (.25)	Conical	Conical	Nickel
375-010-NC-G	.010 (.25)	Conical	Conical	Gold
375-012-NC	.012 (.30)	Conical	Conical	Nickel
375-012-NC-G	.012 (.30)	Conical	Conical	Gold
375-016-NC	.016 (.40)	Conical	Conical	Nickel
375-016-NC-G	.016 (.40)	Conical	Conical	Gold
375-018-NC	.018 (.45)	Conical	Conical	Nickel
375-019-NC	.019 (.50)	Conical	Conical	Nickel
375-023-NC	.023 (.60)	Conical	Conical	Nickel
375-032-NC	.032 (.80)	Conical	Conical	Nickel
375-039-NC	.039 (1.0)	Conical	Conical	Nickel
375-051-NC	.051 (1.3)	Conical	Conical	Nickel
375-051-NC-J	.051 (1.3)	Conical	Dome	Nickel



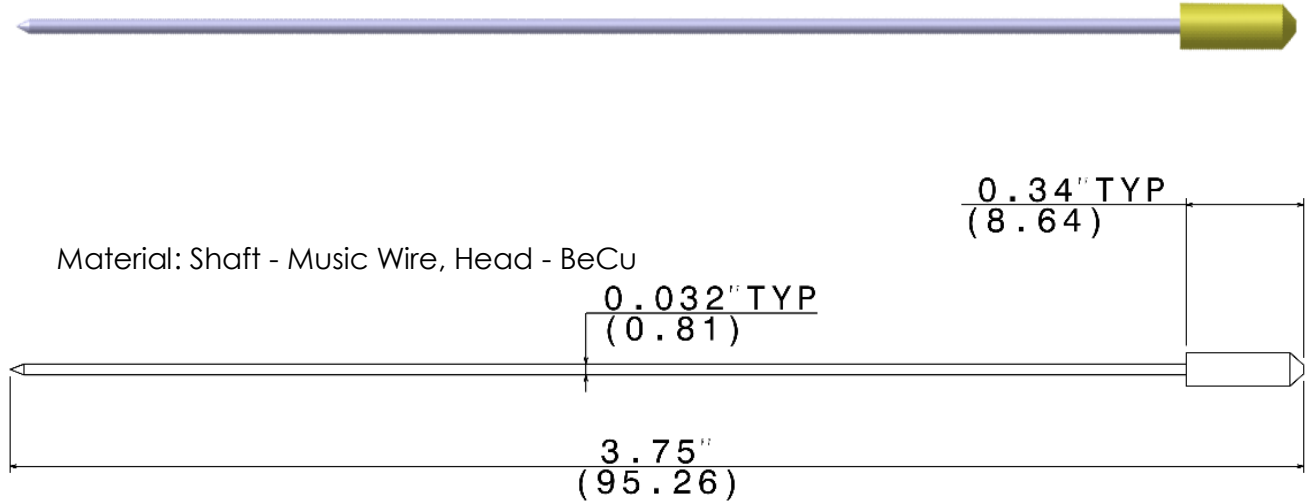
Crimped



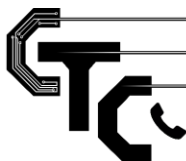
Part No.	Shaft Size - IN (mm)	Tip A	Tip B	Plating
375-012-CR	.012 (.30)	Conical	Conical	Nickel
375-016-CR	.016 (.40)	Conical	Conical	Nickel
375-018-CR	.018 (.45)	Conical	Conical	Nickel
375-020-CR	.020 (.50)	Conical	Conical	Nickel
375-023-CR	.023 (.60)	Conical	Conical	Nickel
375-023-CR-J	.023 (.60)	Conical	Dome	Nickel
375-032-CR	.031 (.80)	Conical	Conical	Nickel
375-039-CR	.039 (1.0)	Conical	Conical	Nickel
375-051-CR	.051 (1.3)	Conical	Conical	Nickel
375-051-CR-J	.051 (1.3)	Conical	Dome	Nickel



3.75'' Pins Headed



Part No.	Head Size - IN (mm)	Head Style	Plating
375-032-059-CO	.059 (1.5)	Conical	Shaft: Nickel Head: Gold
375-032-071-CO	.071 (1.8)	Conical	Shaft: Nickel Head: Gold
375-032-098-CO	.098 (2.5)	Conical	Shaft: Nickel Head: Gold
375-032-138-CO	.138 (3.5)	Conical	Shaft: Nickel Head: Gold
375-032-157-CO	.157 (4.0)	Conical	Shaft: Nickel Head: Gold
375-032-236-CO	.236 (6.0)	Conical	Shaft: Nickel Head: Gold
375-032-250-CO	.250 (6.35)	Conical	Shaft: Nickel Head: Gold

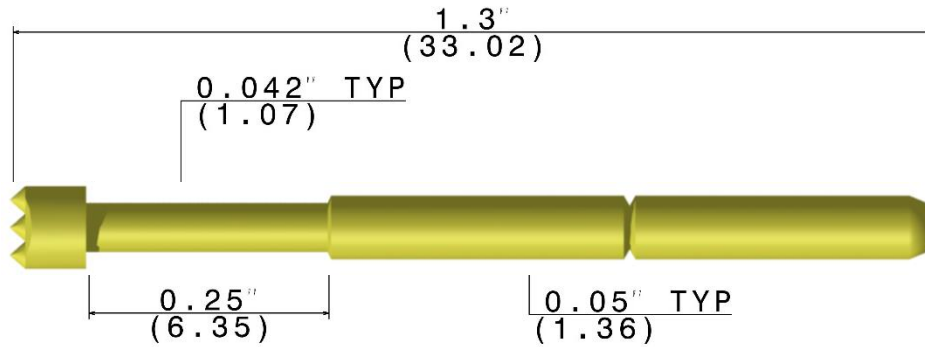


Spring Probes and Receptacles

P187-250 Series

.187 centers, .250 stroke

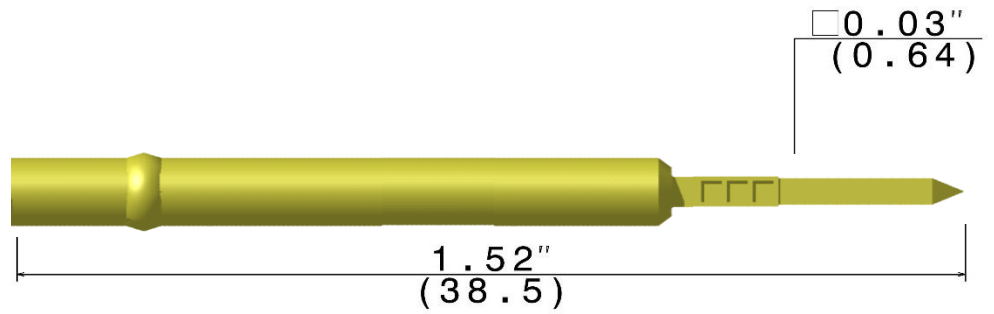
Probes



Receptacles

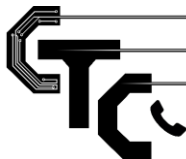
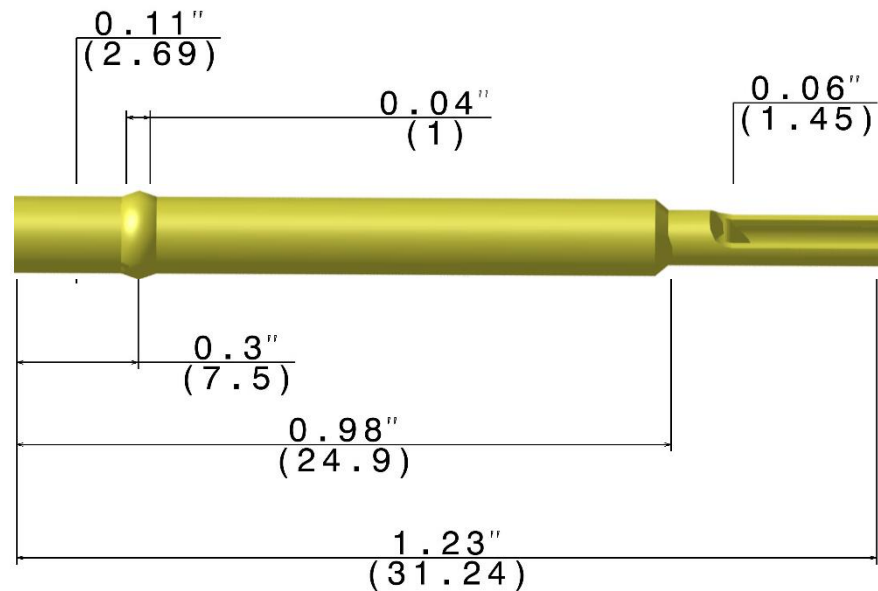
Wire Wrap

R-187-WW



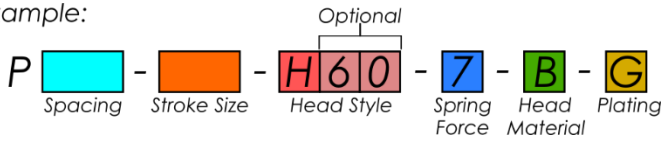
Solder Cup

R-187-SC



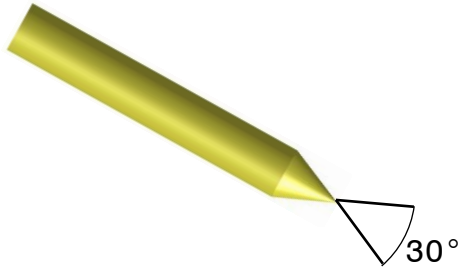
P187-250 Series Probe Style Selection:

Example:

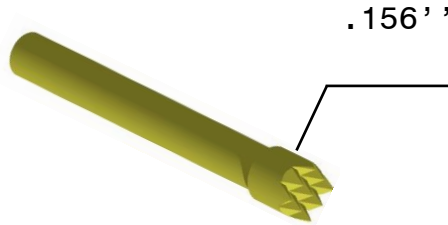


Spring Type	At 2/3 Travel
4	4.0 oz
7	7.0 oz
9	9.0 oz
10	10.0 oz

Letter	Material
S	Steel
B	BeCu
G	Gold
N	Nickel



-B



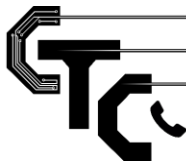
-H56



-J

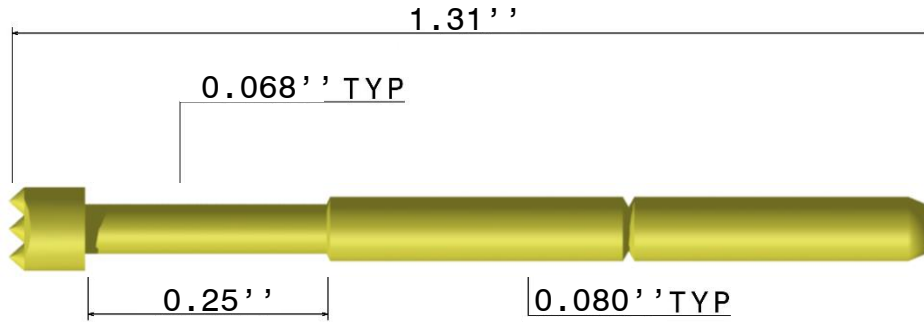


-V



P125-250 Series
.125 centers, .250 stroke

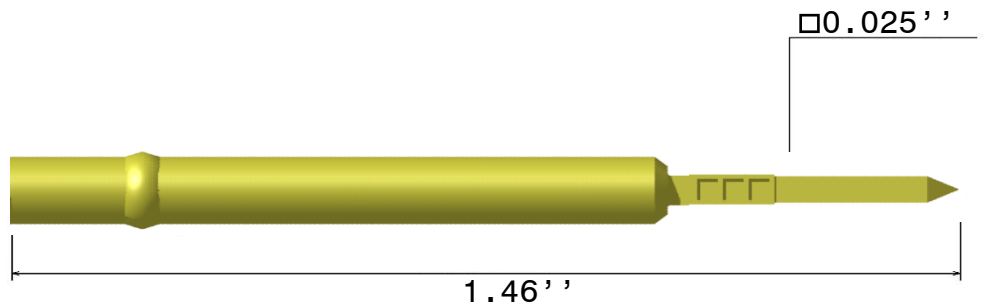
Probes



Receptacles

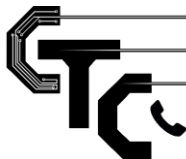
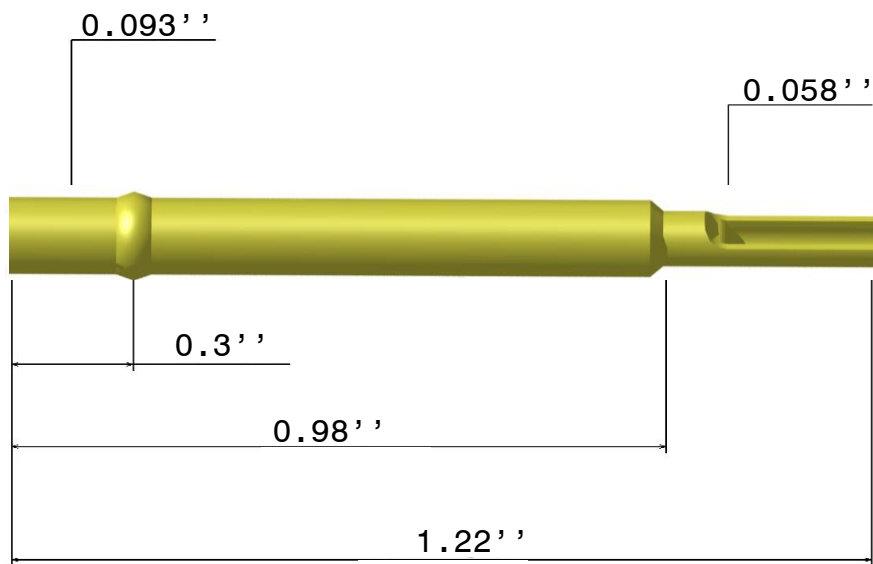
Wire Wrap

R125-250-WW



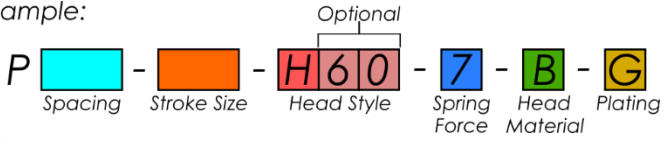
Solder Cup

R125-250-SC



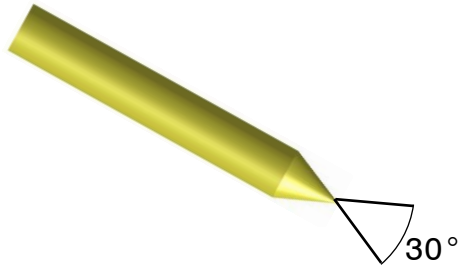
P125-250 Series Probe Style Selection:

Example:

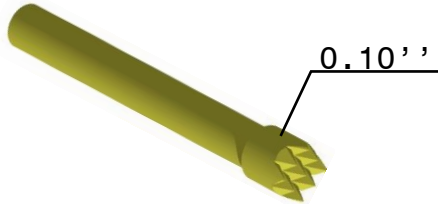


Spring Type	At 2/3 Travel
4	4.0 oz
7	7.0 oz
9	9.0 oz
10	10.0 oz

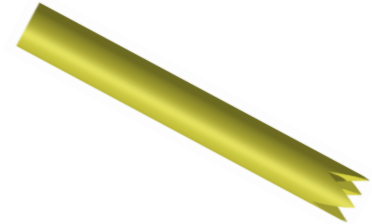
Letter	Material
S	Steel
B	BeCu
G	Gold
N	Nickel



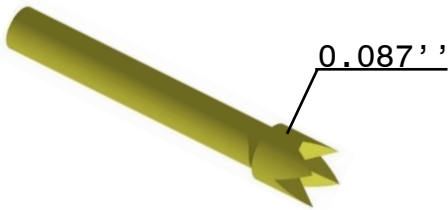
-B



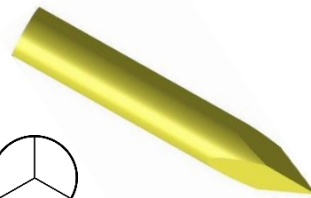
-H10



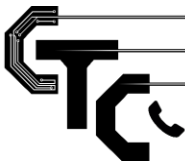
-L68



-L87

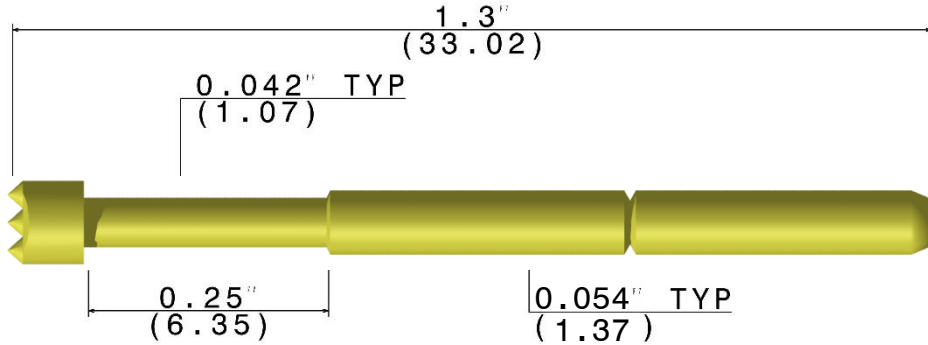


-T68



P100-250 Series
 .100 centers, .250 stroke

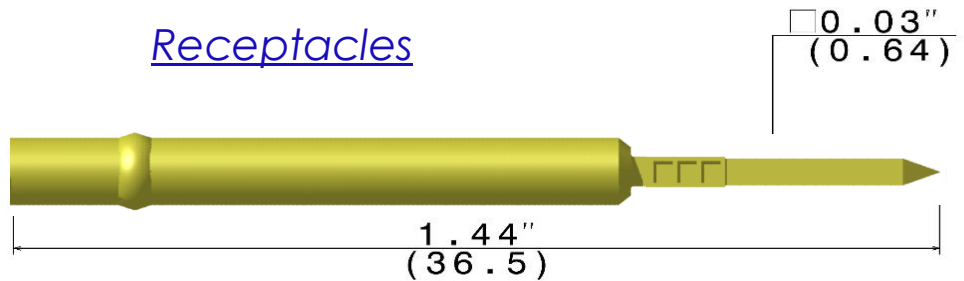
Probes



Receptacles

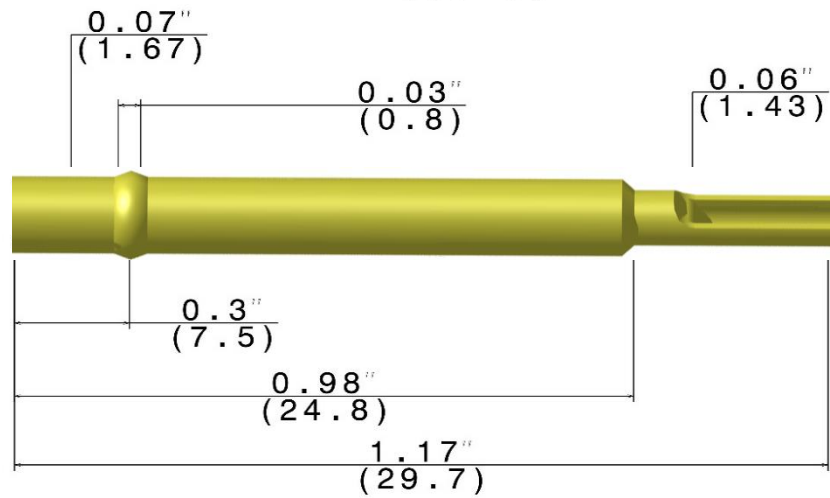
Wire Wrap

R-250-WW



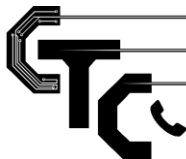
Solder Cup

R-250-SC



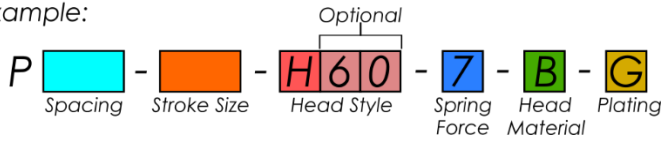
Crimp

R-250-CR



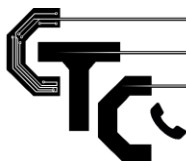
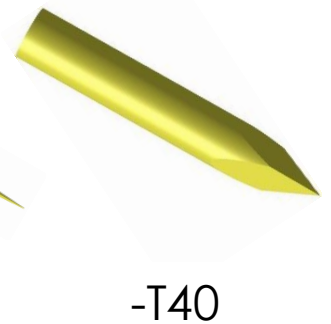
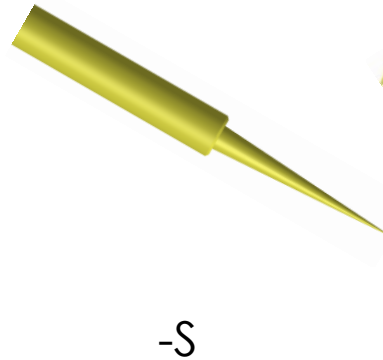
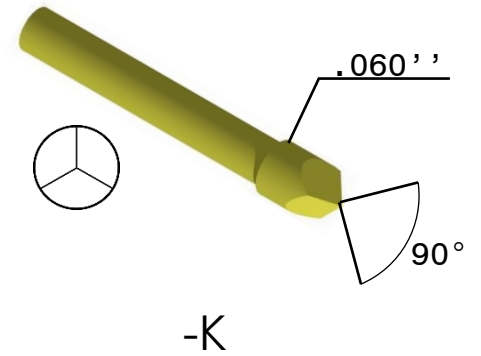
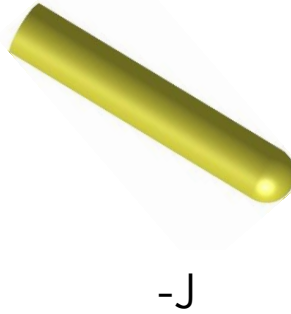
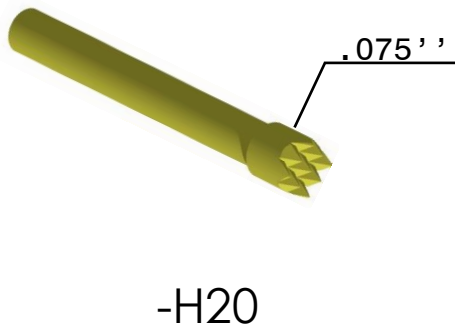
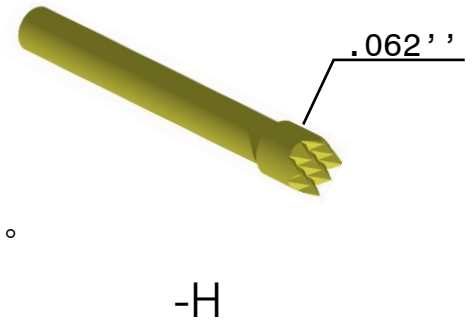
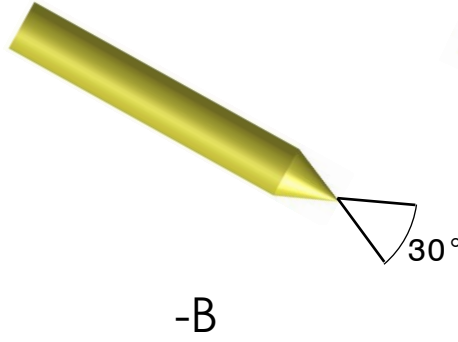
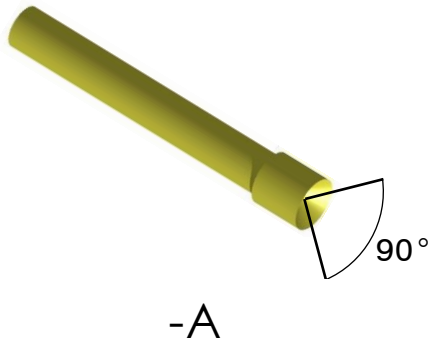
P100-250 Series Probe Style Selection:

Example:



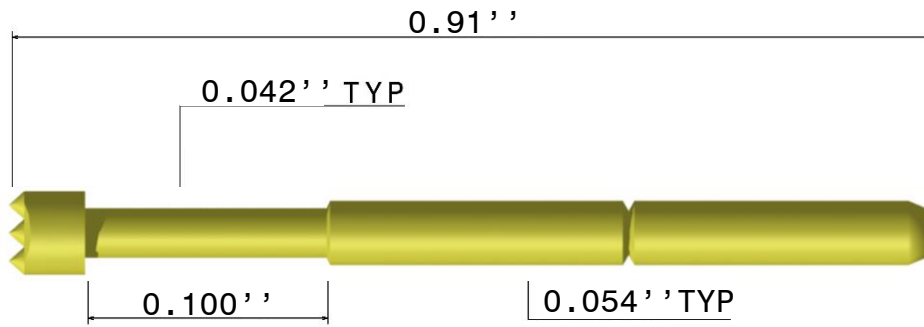
Spring Type	At 2/3 Travel
4	4.0 oz
7	7.0 oz
9	9.0 oz
10	10.0 oz

Letter	Material
S	Steel
B	BeCu
G	Gold
N	Nickel



P100-100 Series
.100 centers, .100 stroke

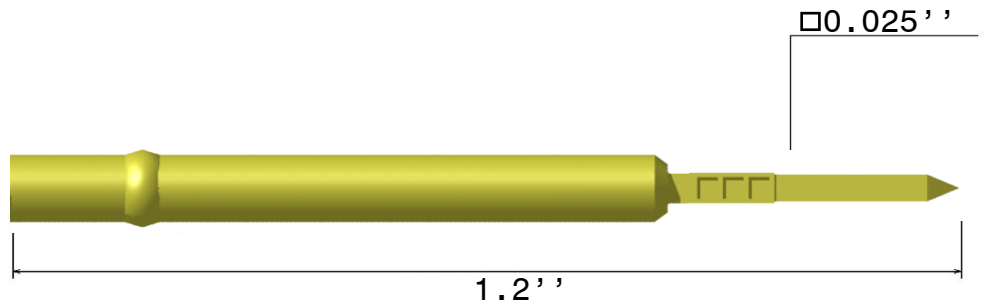
Probes



Receptacles

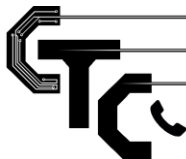
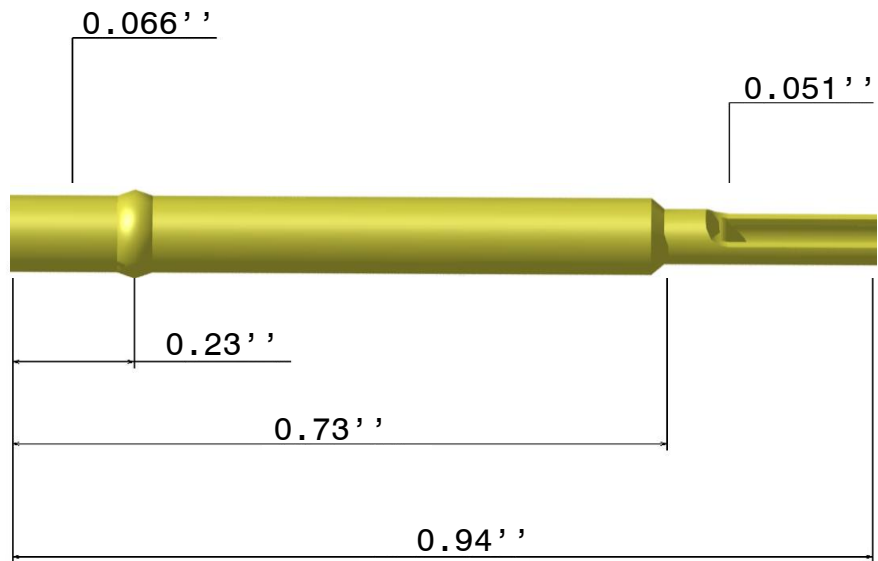
Wire Wrap

R100-100-WW



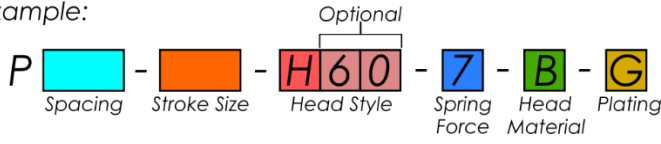
Solder Cup

R100-100-SC



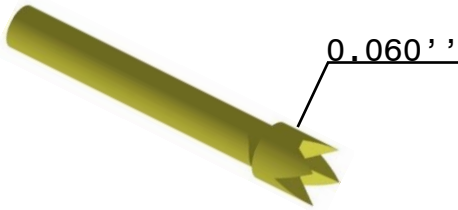
P100-100 Series Probe Style Selection:

Example:

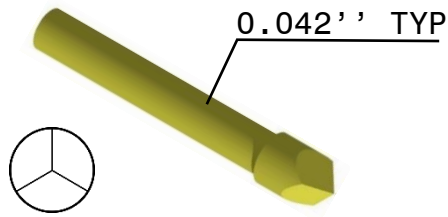


Spring Type	At 2/3 Travel
3	3.0 oz
3.5	3.5 oz
7	7.0 oz

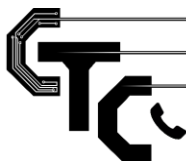
Letter	Material
S	Steel
B	BeCu
G	Gold
N	Nickel



-L60



-T



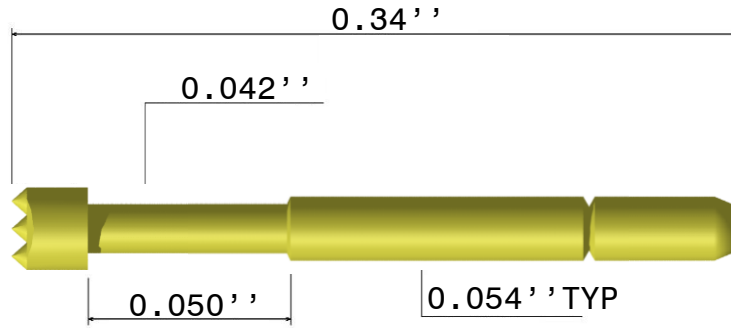
1-(815)-439-1662

1-815-439-1663

sales@circuittek.com

P100-50 Series
.100 centers, .050 stroke

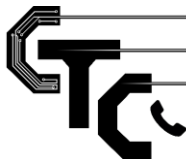
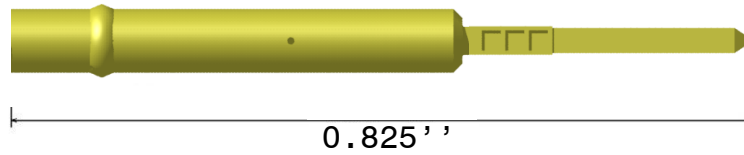
Probes



Receptacles

Wire Wrap

R100-50-WW



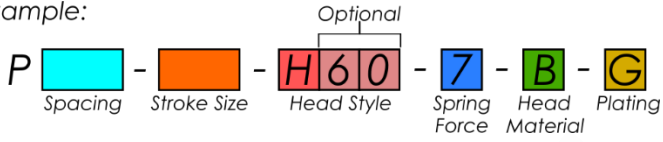
1-(815)-439-1662

1-815-439-1663

sales@circuittek.com

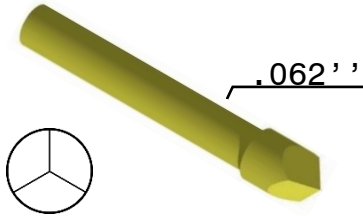
P100-50 Series Probe Style Selection:

Example:

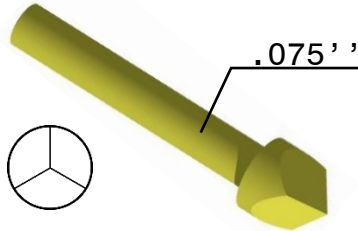


Spring Type	At 2/3 Travel
4	4.0 oz
7	7.0 oz
9	9.0 oz
10	10.0 oz

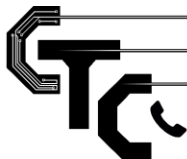
Letter	Material
S	Steel
B	BeCu
G	Gold
N	Nickel



-T62

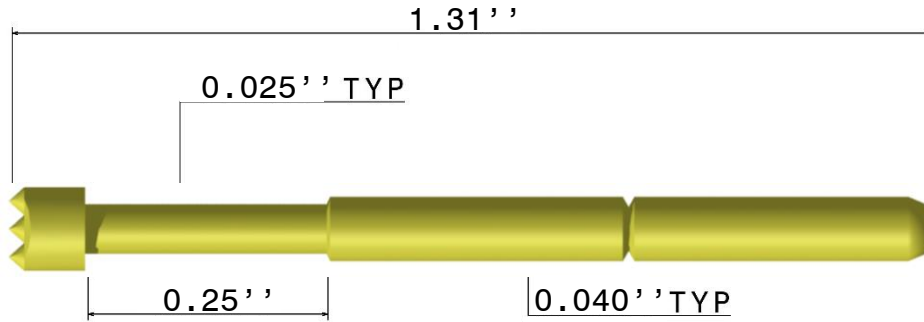


-T75



P75-250 Series
.075 centers, .250 stroke

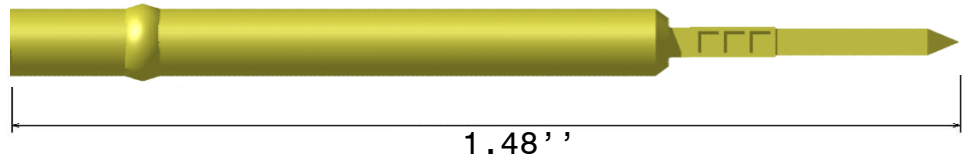
Probes



Receptacles

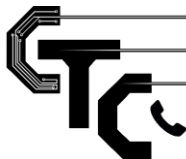
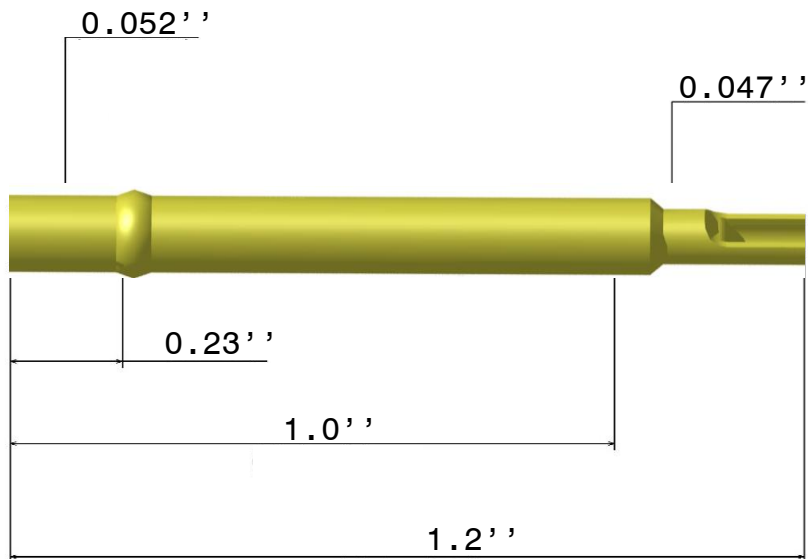
Wire Wrap

R75-250-WW



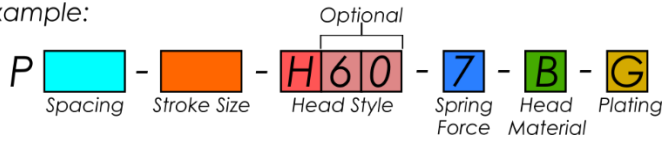
Solder Cup

R75-250-SC



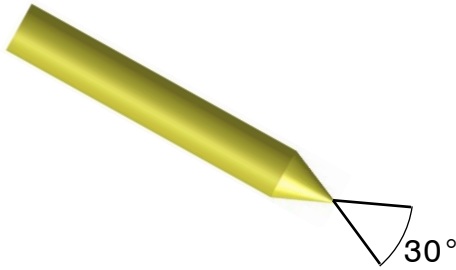
P75-250 Series Probe Style Selection:

Example:

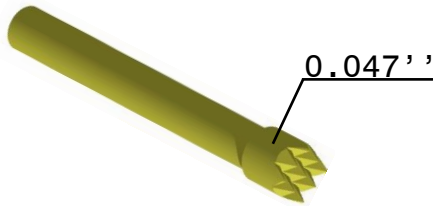


Spring Type	At 2/3 Travel
4	4.0 oz
7	7.0 oz
9	9.0 oz
10	10.0 oz

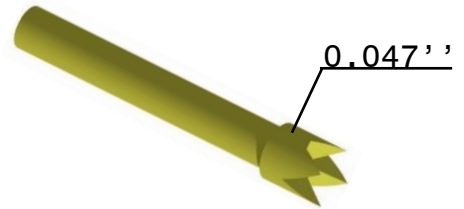
Letter	Material
S	Steel
B	BeCu
G	Gold
N	Nickel



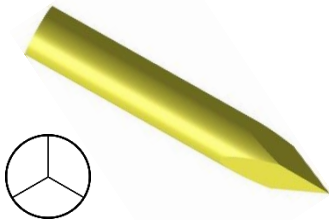
-B



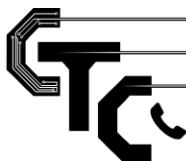
-H47



-L47



-T25



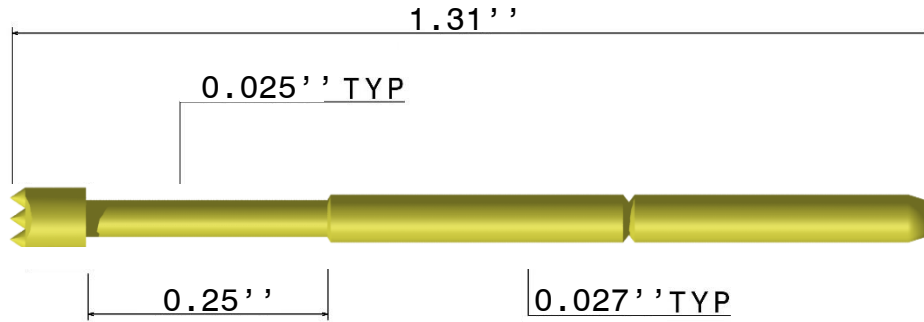
1-(815)-439-1662

1-815-439-1663

sales@circuittek.com

P50-250 Series
.050 centers, .250 stroke

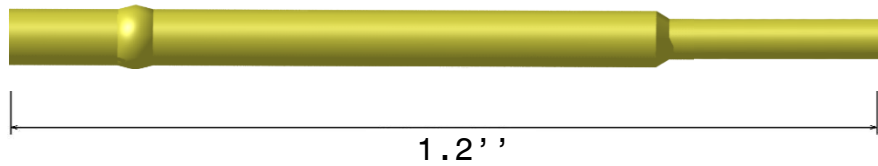
Probes



Receptacles

Crimp

R50-250-CRW

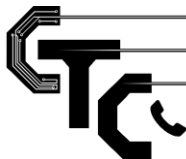
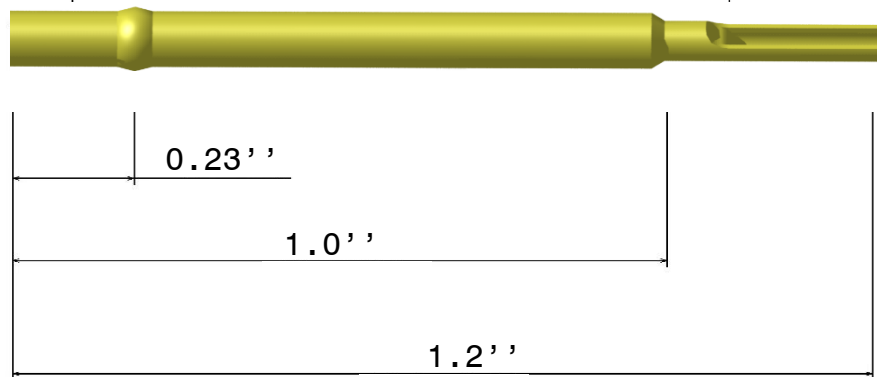


0.039''

0.047''

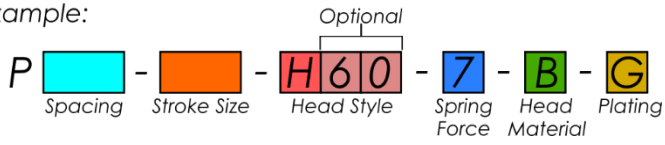
Solder Cup

R50-250-SC



P50-250 Series Probe Style Selection:

Example:

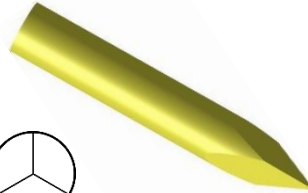


Spring Type	At 2/3 Travel
4	4.0 oz
7	7.0 oz
9	9.0 oz
10	10.0 oz

Letter	Material
S	Steel
B	BeCu
G	Gold
N	Nickel



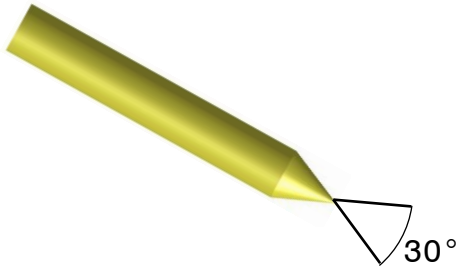
-V



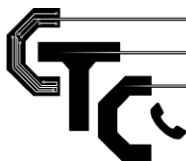
-T25



-H40



-B



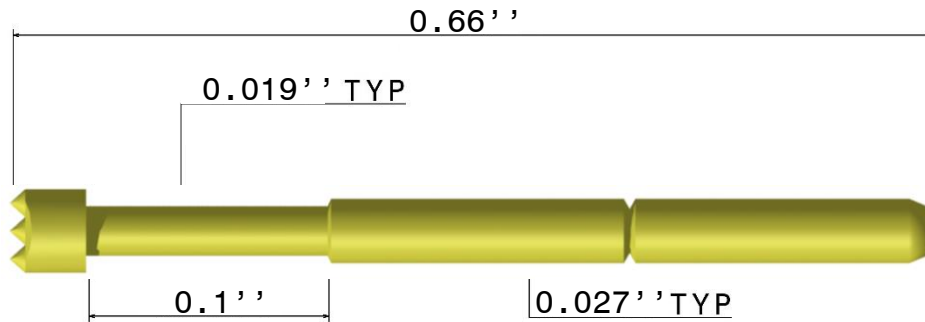
1-(815)-439-1662

1-815-439-1663

sales@circuittek.com

P50-100 Series
.050 centers, .100 stroke

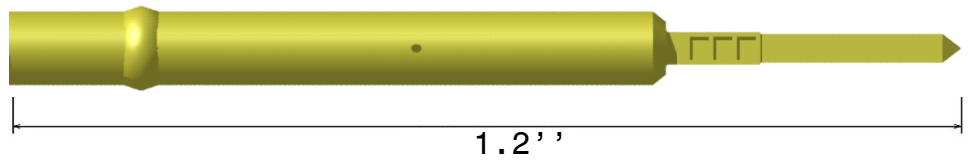
Probes



Receptacles

Wire Wrap

R100-WW

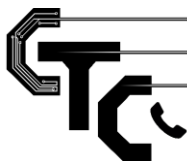
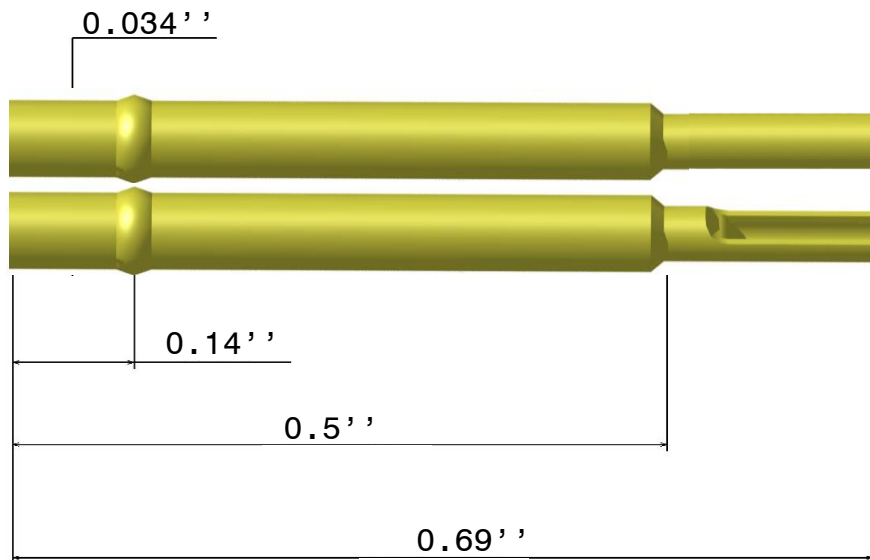


Crimp

R100-CRW

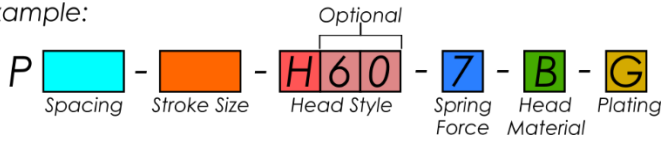
Solder Cup

R100-SC



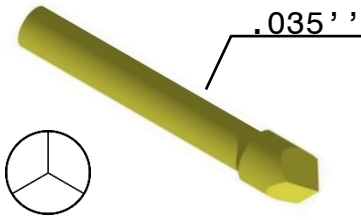
P50-100 Series Probe Style Selection:

Example:

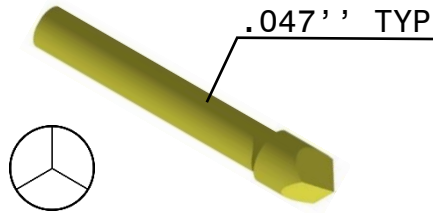


Spring Type	At 2/3 Travel
3	3.0 oz
3.5	3.5 oz
7	7.0 oz

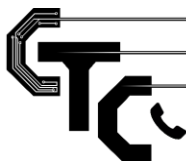
Letter	Material
S	Steel
B	BeCu
G	Gold
N	Nickel



-T35



-T47



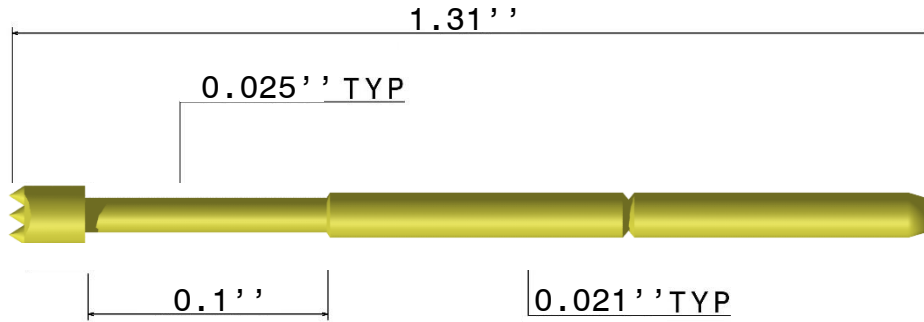
1-(815)-439-1662

1-815-439-1663

sales@circuittek.com

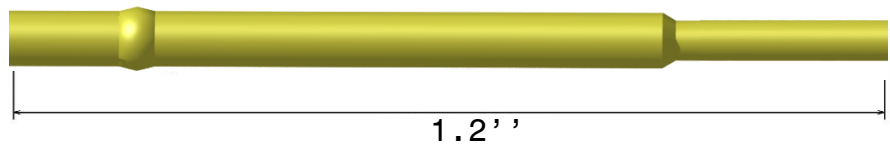
P39-250 Series
.039 centers, .250 stroke

Probes



Receptacles

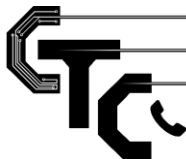
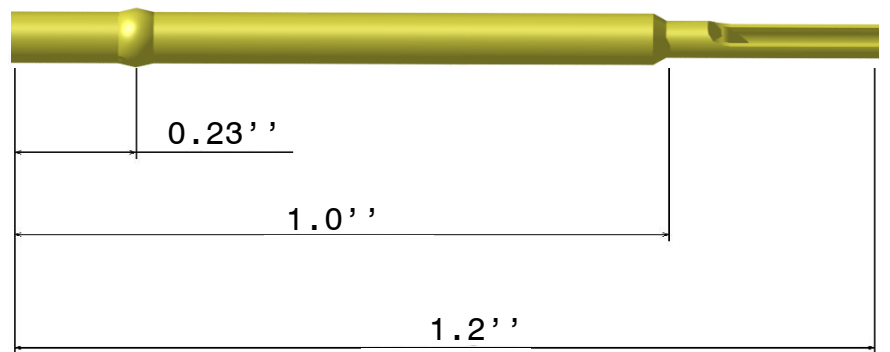
R75-250-WW



0.026''

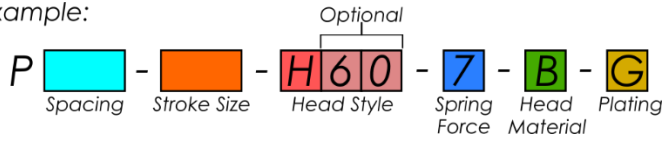
0.047''

R75-250-SC



P39-250 Series Probe Style Selection:

Example:

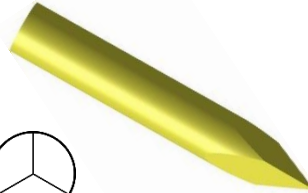


Spring Type	At 2/3 Travel
4	4.0 oz
7	7.0 oz
9	9.0 oz
10	10.0 oz

Letter	Material
S	Steel
B	BeCu
G	Gold
N	Nickel



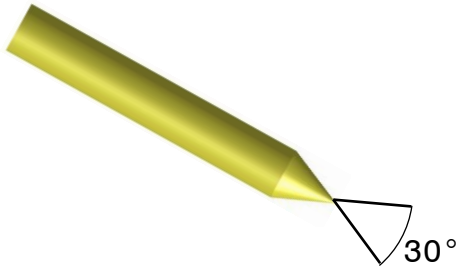
-V



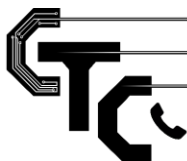
-T17



-H

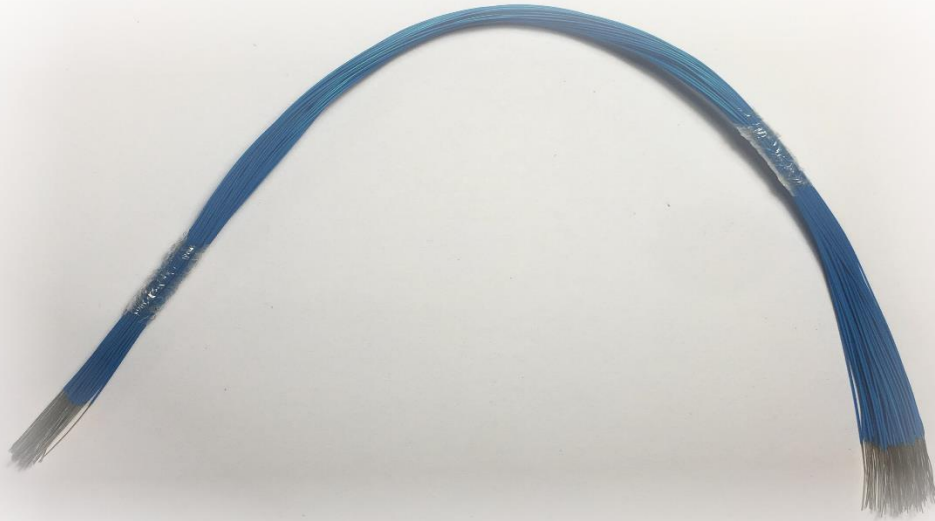


-B

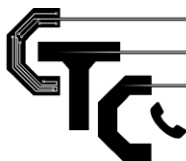


Kynar Wire

Cut and Stripped - Blue



30 Gauge	30 Gauge Cut & Stripped .075" Both Ends
30G14-CSB2-B	14" Length, 30 AWG Wire, Cut & Stripped .75" Both Sides- Blue
30G16-CSB2-B	16" Length, 30 AWG Wire, Cut & Stripped .75" Both Sides- Blue
30G18-CSB2-B	18" Length Wire, 30 AWG, Cut & Stripped .75" Both Sides- Blue
30G24-CSB2-B	24" Length Wire, 30 AWG, Cut & Stripped 3/4" Both Sides- Blue
30G34-CSB2-B	34" Length, 30 AWG Wire, Cut & Stripped 2 cm Both Sides- Blue



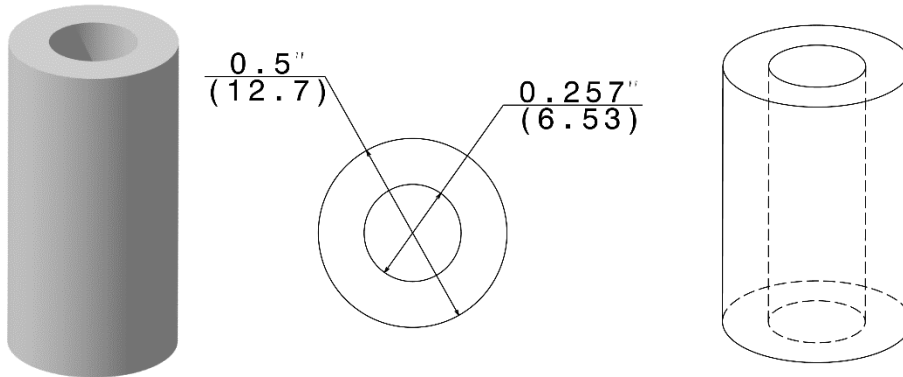
1-(815)-439-1662

1-815-439-1663

sales@circuittek.com

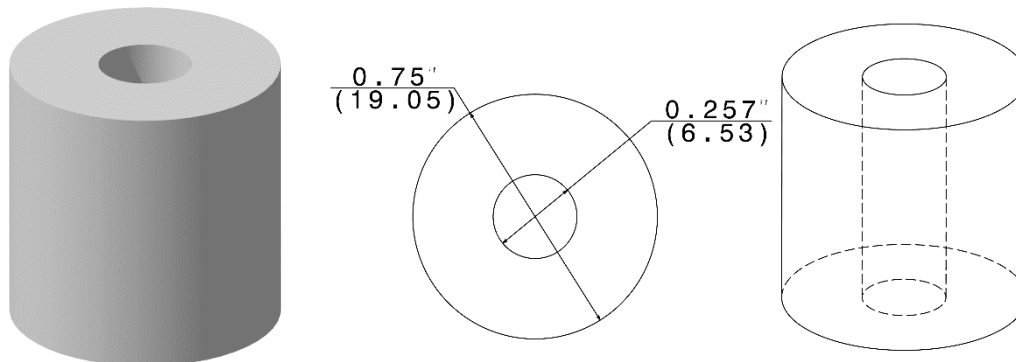
Spacers

.5" Diameter Molded Spacers

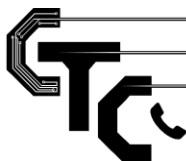


Part No.	Length - IN (mm)	I.D. - IN (mm)	O.D. - IN (mm)	Material
MS125-500/257	.125 (3.78)	.257 (6.53)	.500 (12.70)	White Nylon
MS250-500/257	.250 (6.35)	.257 (6.53)	.500 (12.70)	White Nylon
MS500-500/257	.500 (12.7)	.257 (6.53)	.500 (12.70)	White Nylon
MS750-500/257	.750 (19.05)	.257 (6.53)	.500 (12.70)	White Nylon
MS1000-500/257	1.000 (25.40)	.257 (6.53)	.500 (12.70)	White Nylon

.75" Diameter Molded Spacers

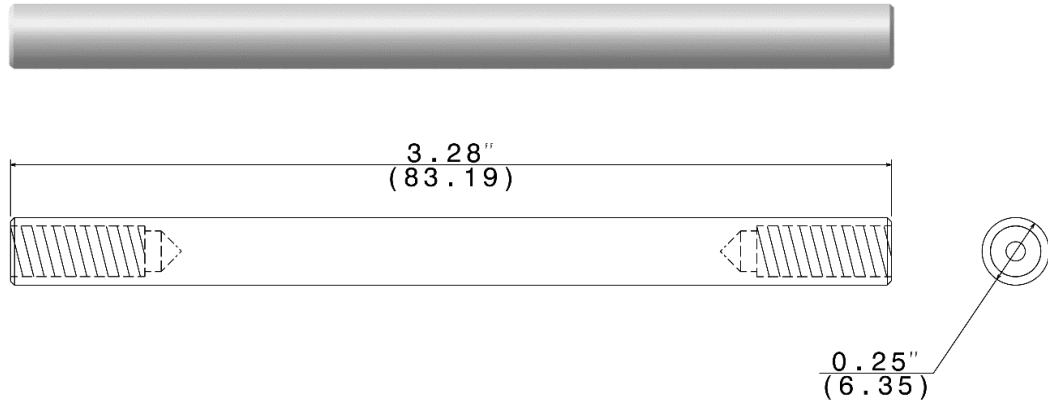


Part No.	Length - IN (mm)	I.D. - IN (mm)	O.D. - IN (mm)	Material
MS125-750/257	.125 (3.78)	.257 (6.53)	.750 (19.05)	White Nylon
MS250-750/257	.250 (6.35)	.257 (6.53)	.750 (19.05)	White Nylon
MS500-750/257	.500 (12.7)	.257 (6.53)	.750 (19.05)	White Nylon
MS750-750/257	.750 (19.05)	.257 (6.53)	.750 (19.05)	White Nylon
MS1000-750/257	1.000 (25.40)	.257 (6.53)	.750 (19.05)	White Nylon



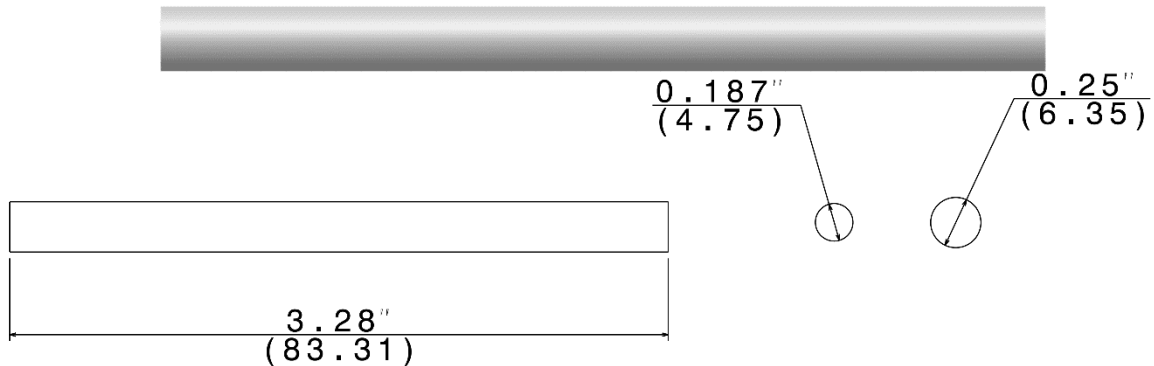
Posts and Rods

Threaded Posts

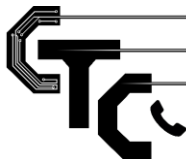


Part No.	Length - IN (mm)	O.D. - IN (mm)	Tap	Material
DP1550-250/632	1.550 (39.37)	0.25 (6.35)	6-32	White Delrin
DP3275-250/632	3.275 (83.18)	0.25 (6.35)	6-32	White Delrin
DP3275-250/832	3.275 (83.18)	0.25 (6.35)	8-32	White Delrin

Solid Rods

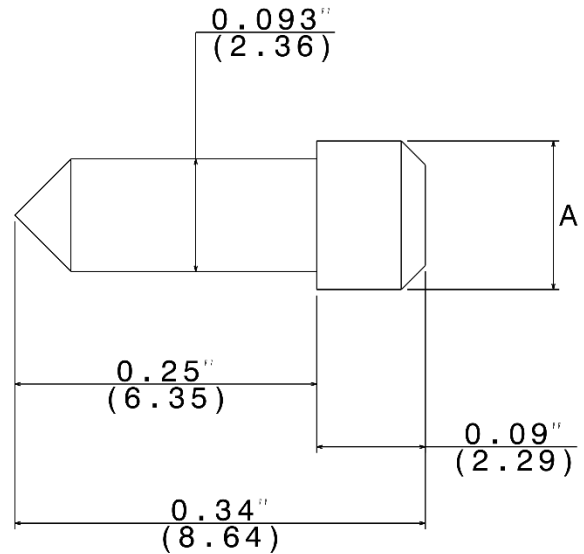
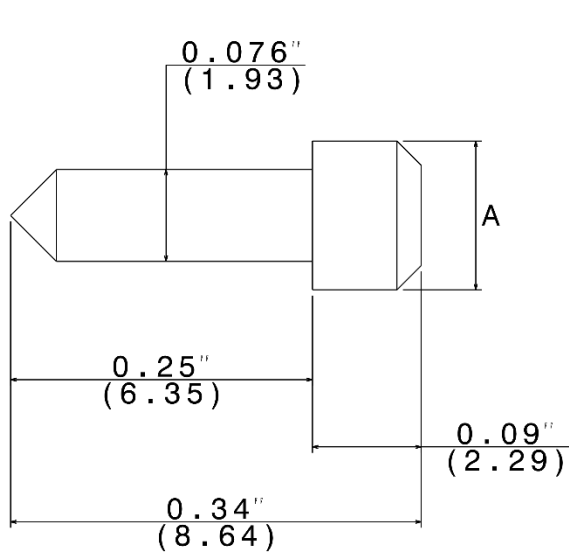
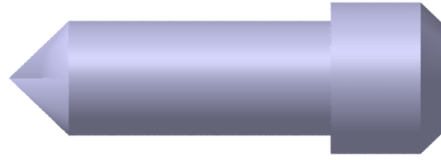
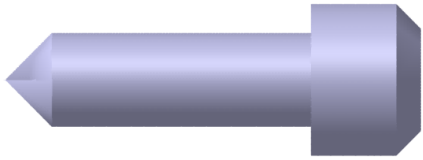


Part No.	Length - IN (mm)	O.D. - IN (mm)	Material
NR3280-187	3.280 (83.31)	.187 (4.75)	White Delrin
NR3280-250	3.280 (83.31)	.250 (6.35)	White Delrin
NR3400-189	3.280 (83.31)	.189 (4.80)	Red Delrin

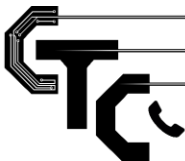


Tool Pins

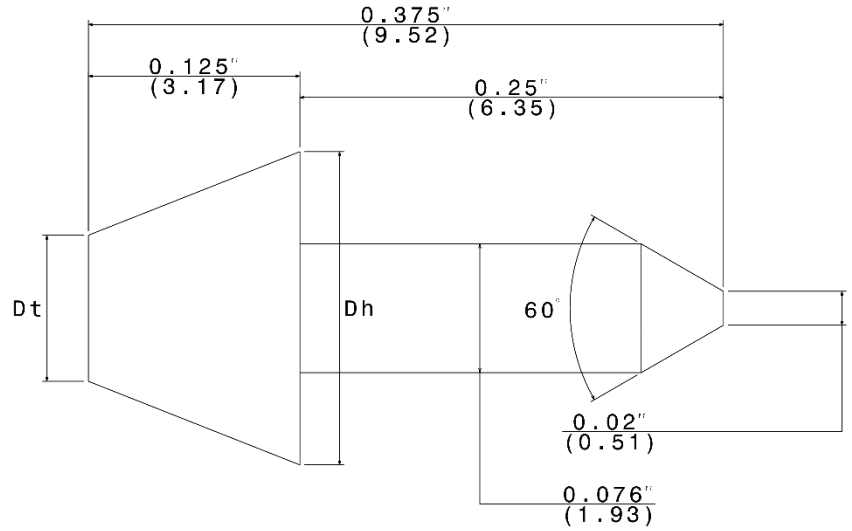
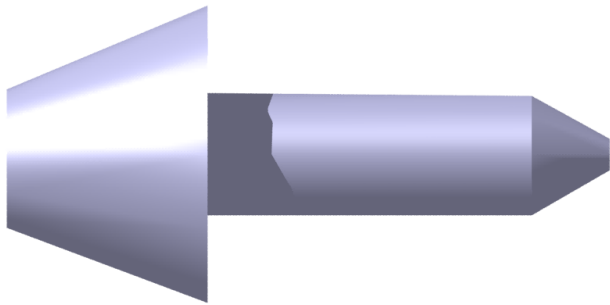
Steel Button Tool Pins



Part No.	Head Dia. - IN (mm)	Shaft Size - In (mm)
SBTP-340-123/076	.123 (3.12)	.076 (1.93)
SBTP-340-124/076	.124 (3.15)	.076 (1.93)
SBTP-340-186/076	.186 (4.72)	.076 (1.93)
SBTP-340-248/076	.248 (6.30)	.076 (1.93)
SBTP-340-095/093	.095 (2.41)	.093 (2.36)
SBTP-340-124/093	.124 (3.15)	.093 (2.36)
SBTP-340-155/093	.155 (3.94)	.093 (2.36)
SBTP-340-186/093	.186 (4.72)	.093 (2.36)

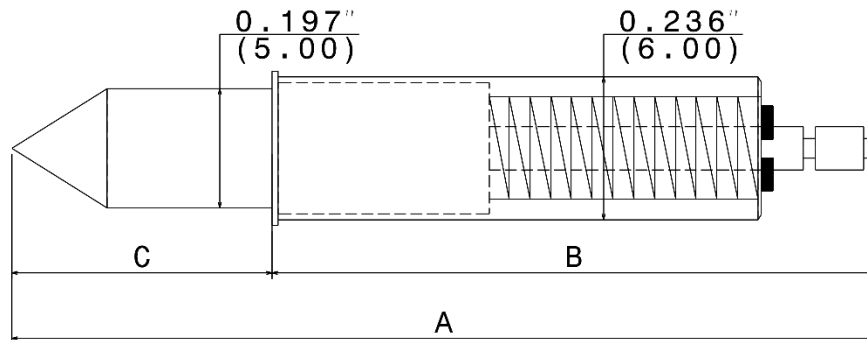


Steel Cone Tip Tool Pins

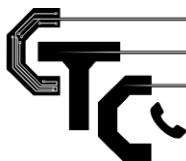


Part No.	Dt Diameter - IN (mm)	Dh Diameter - IN (mm)	Shaft Size - IN (mm)	Shaft Length - IN (mm)
CTP375-060/125	0.060 (1.52)	0.125 (3.18)	0.076 (1.93)	0.250 (6.35)
CTP375-090/155	0.090 (2.29)	0.155 (3.94)	0.076 (1.93)	0.250 (6.35)
CTP375-120/185	0.120 (3.05)	0.185 (6.70)	0.076 (1.93)	0.250 (6.35)

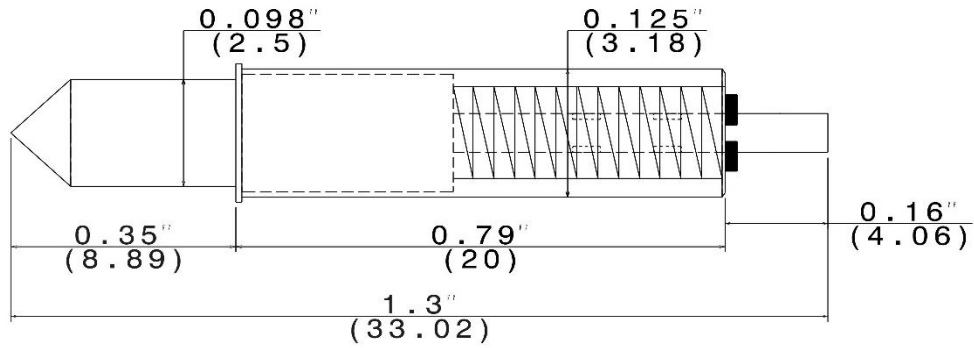
Metal Tool Pins with Brass* Housing, Ni Plated



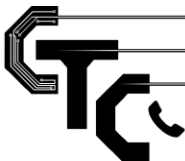
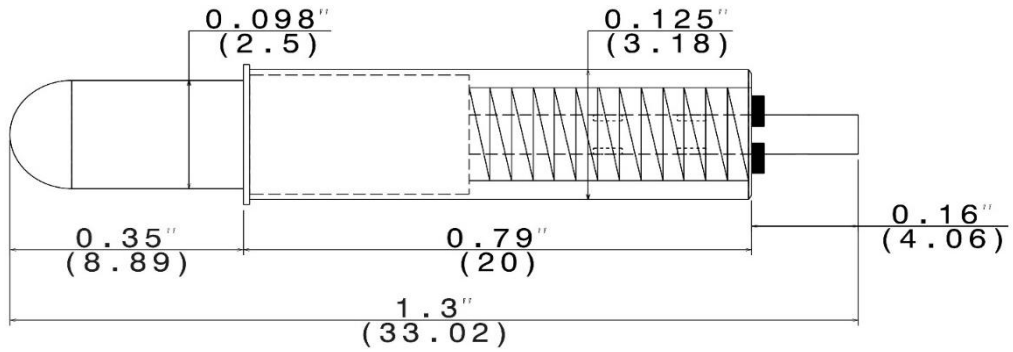
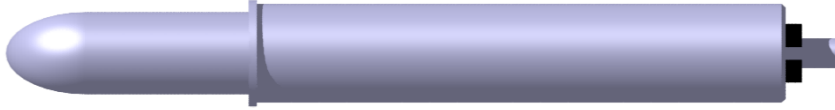
Part No.	A: Length - IN (mm)	Head Dia. - IN (mm)	B: Length - IN (mm)	C: Length - IN (mm)
GP075*	1.540 (39.12)	.197 (5.00)	.430 (10.92)	1.000 (25.40)
GP066	1.890 (48.01)	.197 (5.00)	.450 (11.43)	1.440 (36.58)
GP016	2.630 (66.80)	.197 (5.00)	.870 (22.10)	1.760 (44.70)



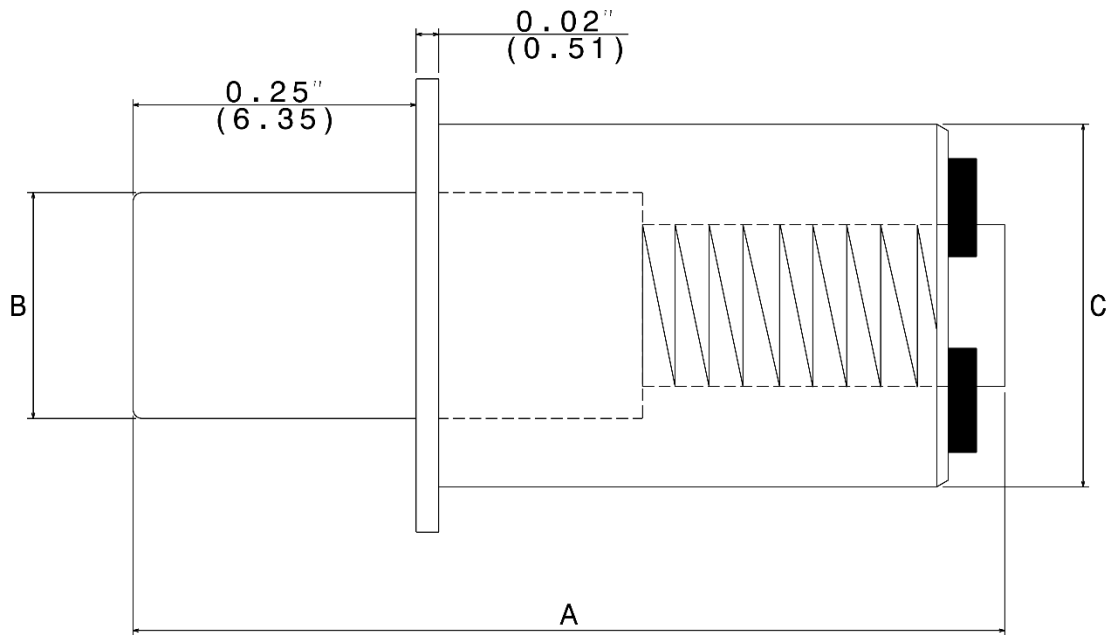
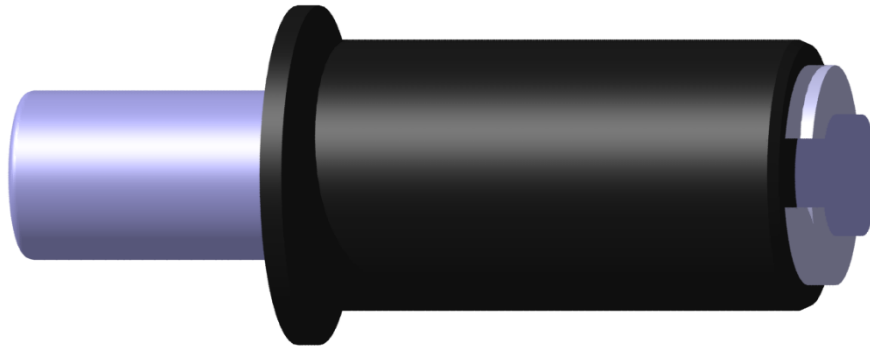
GP005



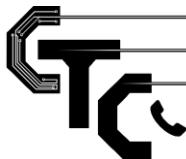
GP006



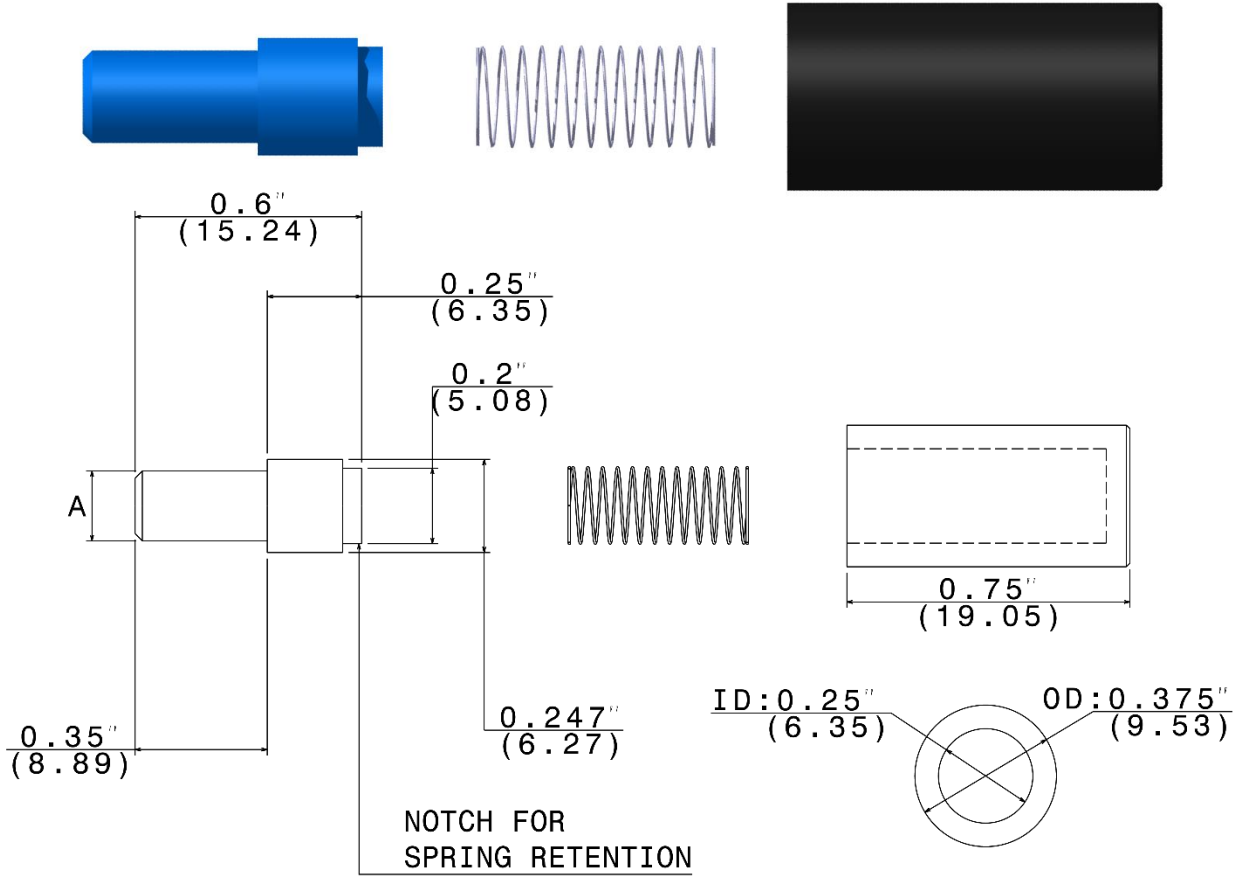
Steel Spring Loaded Tool Pins with Delrin Housing



Part No.	A: O.A.L. - IN (mm)	B: Head Dia. - IN (mm)	C: HSG. Dia. - IN (mm)
SS81-250320-110	.810 (20.57)	.110 (2.80)	.320 (8.13)
SS81-250320-122	.810 (20.57)	.122 (3.10)	.320 (8.13)
SS81-250320-138	.810 (20.57)	.138 (3.51)	.320 (8.13)
SS88-250171-090	.880 (22.35)	.090 (2.29)	.171 (4.34)
SS88-250171-110	.880 (22.35)	.110 (2.80)	.171 (4.34)
SS88-250171-122	.880 (22.35)	.122 (3.10)	.171 (4.34)
SS93-125250-122	.930 (23.62)	.122 (3.10)	.171 (4.34)

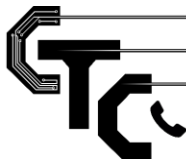


Spring Loaded Delrin Tool Pins



Part No.	Head Dia. - IN (mm)	Color
DTP600-054	.054 (1.37)	BLACK
DTP600-087	.087 (2.21)	WHITE
DTP600-090	.090 (2.29)	RED
DTP600-108	.108 (2.74)	PINK
DTP600-122	.122 (3.10)	PURPLE
DTP600-154	.154 (3.91)	YELLOW
DTP600-185	.185 (4.70)	GREEN
DTP600-242	.242 (6.15)	BLUE

SPR-1-TPHS	SPRING FOR ABOVE TOOL PINS
DTPH-750/250	DELKIN HOUSING FOR ABOVE TOOL PINS





Fasteners



SAE Screws

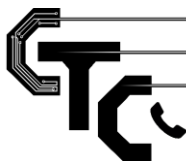
Part No.	Length	Head Type	Thread	Material
NFS-375-632	3/8"	Flat / Slotted	6-32	Nylon
NFS-500-632	1/2"	Flat / Slotted	6-32	Nylon
NFS-375/832	3/8"	Flat / Slotted	8-32	Nylon
NFS-500-832	1/2"	Flat / Slotted	8-32	Nylon
SFS-375-632	3/8"	Flat / Slotted	6-32	Steel, Zinc Plate
SFS-500-632	1/2"	Flat / Slotted	6-32	Steel, Zinc Plate
SFS-625-632	5/8"	Flat / Phillips	6-32	Stainless Steel
SFS-375/832	3/8"	Flat / Slotted	8-32	Steel, Zinc Plate
SFS-500-832	1/2"	Flat / Slotted	8-32	Steel, Zinc Plate
SFS-625-832	5/8"	Flat / Phillips	8-32	Stainless Steel
SPS-500-440	1/2"	Pan / Phillips	4-40	Steel, Zinc Plate
SPS-500-832	1/2"	Pan / Phillips	8-32	Steel, Zinc Plate
SPS-1000-1032	1"	Pan / Phillips	10-32	Steel, Zinc Plate
SPS-1500-1024	1-1/2"	Pan / Phillips	10-24	Steel, Zinc Plate

Metric Screws

Part No.	Length	Head Type	Thread	Material
LM-01747	5mm	Flat / Phillips	M3	Steel, Zinc Plate
LM-09560	6mm	Flat / Phillips	M3	Steel, Zinc Plate
FPS-M3X8	8mm	Flat / Phillips	M3	Steel, Zinc Plate
SFP-M4X12	12mm	Flat / Phillips	M4	Steel, Zinc Plate

Metric Nuts

Part No.	Length	Head Type	Thread	Material
SSN-M4	-	Square	M4	Steel, Zinc Plate



Luther & Maelzer Hardware

Standard Pitch Spacers

Part No.	Description
LM-09560	Screw, M3 X 6
LM-10771	M/F Spacer, M3 X 8
LM-12879	Spring Washer
LM-10395	Screw, M3x2.5, Brass
LM-12872	Screw, M2.5x4x8, stainless
LM-'09572	Spacer Tube, 6 X 8.3
LM-12874	Spacer, 23.6mm Dual Tap
LM-'08221	Spacer Post (Brass), 4 X 37.5

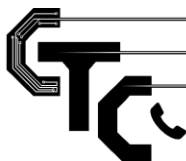
Standard Pitch Tooling Pins

6 mm Housing Assy.

Part No.	Description
LM30-60-GP	3mm/6mm Guide Pin
LM40-60-GP	4mm/6mm Guide Pin
LM45-60-GP	4.5mm/6mm Guide pin
SPR-L-60	Spring For 6mm Guide Pin
LM60-HSG	6mm Guide Pin Housing
LMXX-60-PSH	Complete Assy. (Pin, Spring, Housing)

8 mm Housing Assy.

Part No.	Description
LM50-80-GP	5.0mm/8mm Guide Pin
LM55-80-GP	5.5mm/8mm Guide Pin
SPR-L-80	Spring For 8mm Guide Pin
LM80-HSG	8mm Guide Pin Housing
LMXX-80-PSH	Complete Assy. (Pin, Spring, Housing)



Luther & Maelzer Hardware

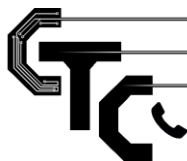
Fine Pitch Spacers

Part No.	Description
LM-01747	Screw, M3 X 5
LM-15139	Spacer, 33.9mm, Hex Head
LM-15140	Spacer Tube, 6 x 17mm
LM-15142	Spacer Tube, 6 x 7mm
LM-10395	Screw, M3x2.5, Brass
LM-16579	Spacer Tube, 7 x 4.2mm
LM-14418	Spacer, 2.5 x 35mm

Fine Pitch Tooling Pins

Part No.	Description
LM40-60-3M-TP	4.0mm Guide Pin
LM45-60-3M-TP	4.5mm Guide Pin
SPR-L-60-3M	Spring For 6mm Guide Pin
LM60-3M-HSG	6mm Guide Pin Housing W/ 3mm Tap
LMXX60-3T-PSH	Complete Assy. (Pin, Spring, Housing)

Figures on next page >>

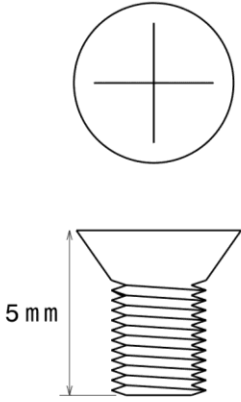
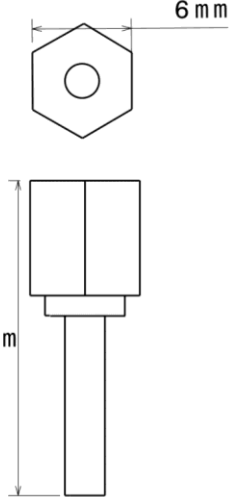
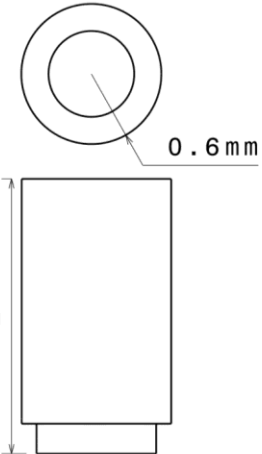
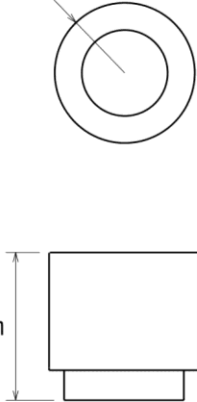
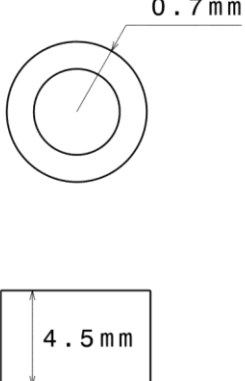
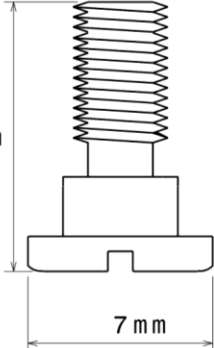
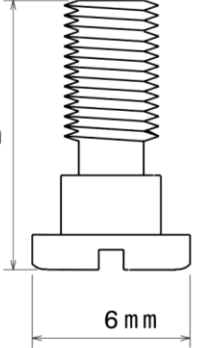
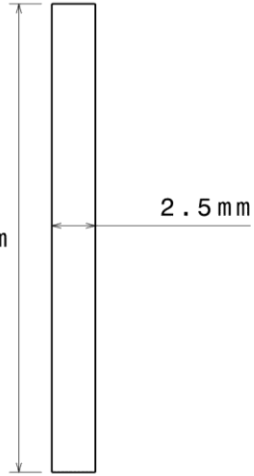


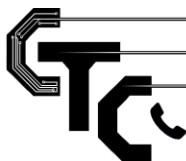
1-(815)-439-1662

1-815-439-1663

sales@circuittek.com

Luther & Maelzer Hardware

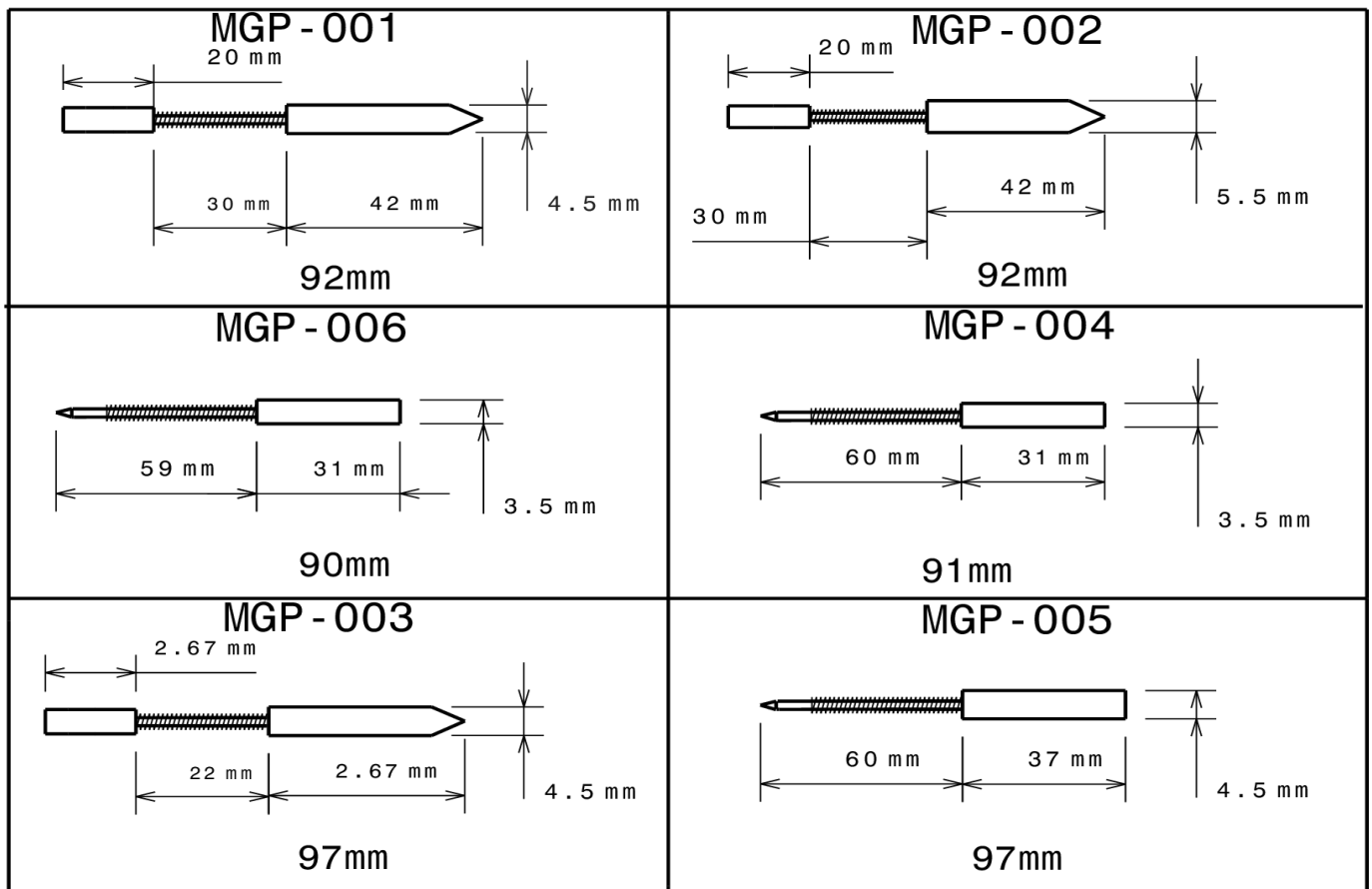
 <p>5 mm</p> <p>LM-01747</p>	 <p>6 mm</p> <p>33.9 mm</p> <p>LM-15139</p>	 <p>0.6 mm</p> <p>0.6 mm</p> <p>17 mm</p> <p>LM-15140</p>	 <p>0.6 mm</p> <p>7 mm</p> <p>LM-15142</p>
 <p>0.7 mm</p> <p>4.5 mm</p> <p>LM-15141</p>	 <p>9 mm</p> <p>7 mm</p> <p>LM-10395</p>	 <p>9 mm</p> <p>6 mm</p> <p>LM-14914</p>	 <p>35 mm</p> <p>2.5 mm</p> <p>LM-14418</p>



Mania Accessories

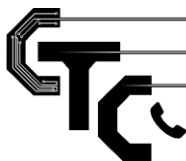
Tooling Pins

Part No.	Type	Length	Dia.	Head Tip
MGP-001	Spring Tool Pin	92mm	4.5mm	Cone
MGP-002	Spring Tool Pin	92mm	5.5mm	Cone
MGP-003	Spring Tool Pin	97mm	4.5mm	Cone
MGP-004	Spring Tool Pin	91mm	3.5mm	Flat
MGP-005	Spring Tool Pin	97mm	4.5mm	Flat

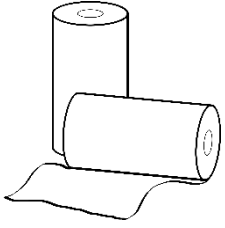


Miscellaneous

Part No.	Type	Condition
MAN-005	Compression Ring	Recycled
MAN-009	Cassette Spring	New

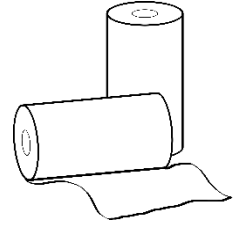


Printing Supplies



Printer Tape Rolls

Part No.	Width	Dia.	Printer Type
MT10315	1 1/2"	2 3/8"	Electro-Sensitive (Silver)



Printer Paper Tape Rolls (1Ply)

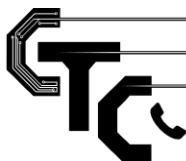
Part No.	Width	Dia.	Length	Tester / Printer
PTP-3305	2 1/4"	2 5/8"	150'	-
PTP-3512	2 3/4"	3"	194'	-
PTP-3500	3"	3"	165'	Star Sp200
PTP-4503	4 1/2"	3"	-	Star Dp8340 / Trace

Thermal Printer Tape Rolls

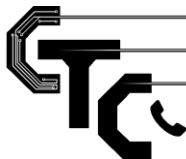
Part No.	Width	Dia.	Length	Tester / Printer
PTT-3000	1 3/4"	2 3/8"	150'	Datel / E/C 50
PTT-3108	1 3/4"	3"	220'	-
PTT-2418	2 1/4"	1 7/8"	80'	Microcraft
PTT-3512	2 3/4"	-	194'	-
PTT-3110	3"	3"	220'	-
PTT-3111	3"	2"	-	-
PTT-3012	3 1/8"	2"	-	Star / Tti
PTT-3014	3 1/8"	3"	220'	Star Tsp 650 / Microcraft
PTT-4108	4 1/8"	1 7/8"	80'	Eltron 20, Tandy Tp-10
PTT-4119	4 9/32"	2 1/4"	119'	Printrx / Ect 9090

Video-graphic Printer Film Roll

Part No.	Width	Dia.	Length	Printer Type
UPP-110HD	110mm	20mm	-	Sony UP890 Video Graphic High Density Printer Film Roll, XRAY



Notes

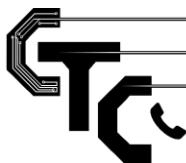


1-(815)-439-1662

1-815-439-1663

sales@circuittek.com

Notes

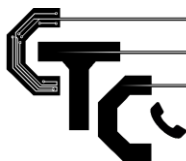


1-(815)-439-1662

1-815-439-1663

sales@circuittek.com

Notes



1-(815)-439-1662

1-815-439-1663

sales@circuittek.com



Circuit Technologies Company

 1-815-439-1662

 www.circuittek.com

 Plainfield, Illinois

 sales@circuittek.com

