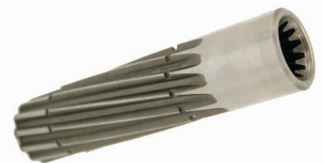
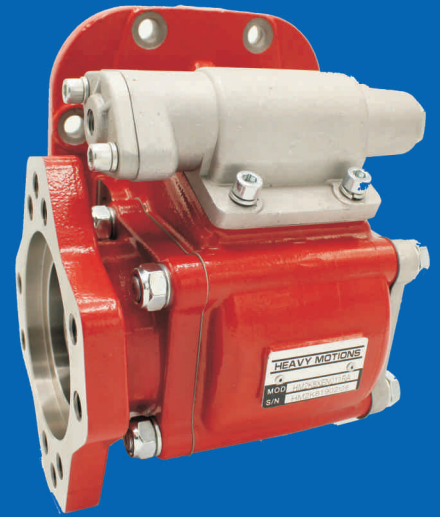
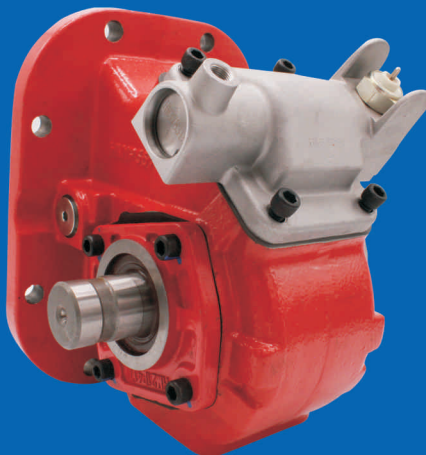
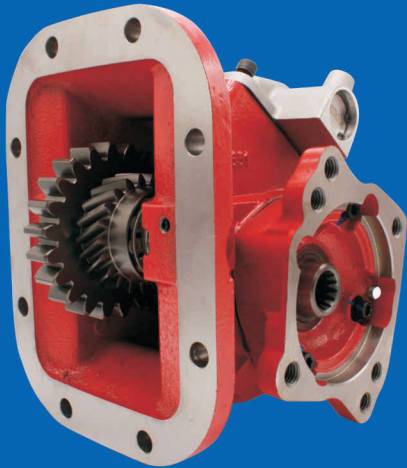
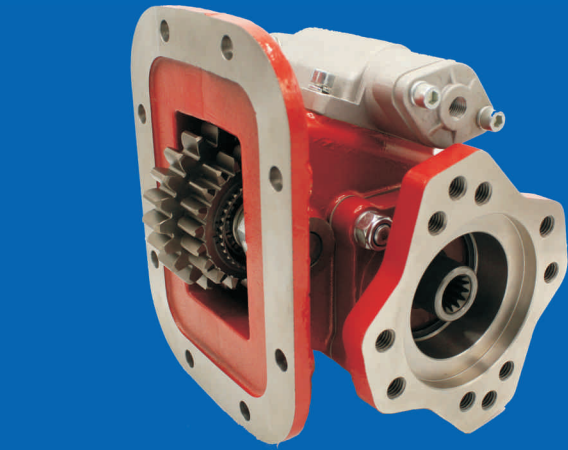


Power Take-offs

Series Hm589 Series Hm542



your source for your mobile hydraulic needs



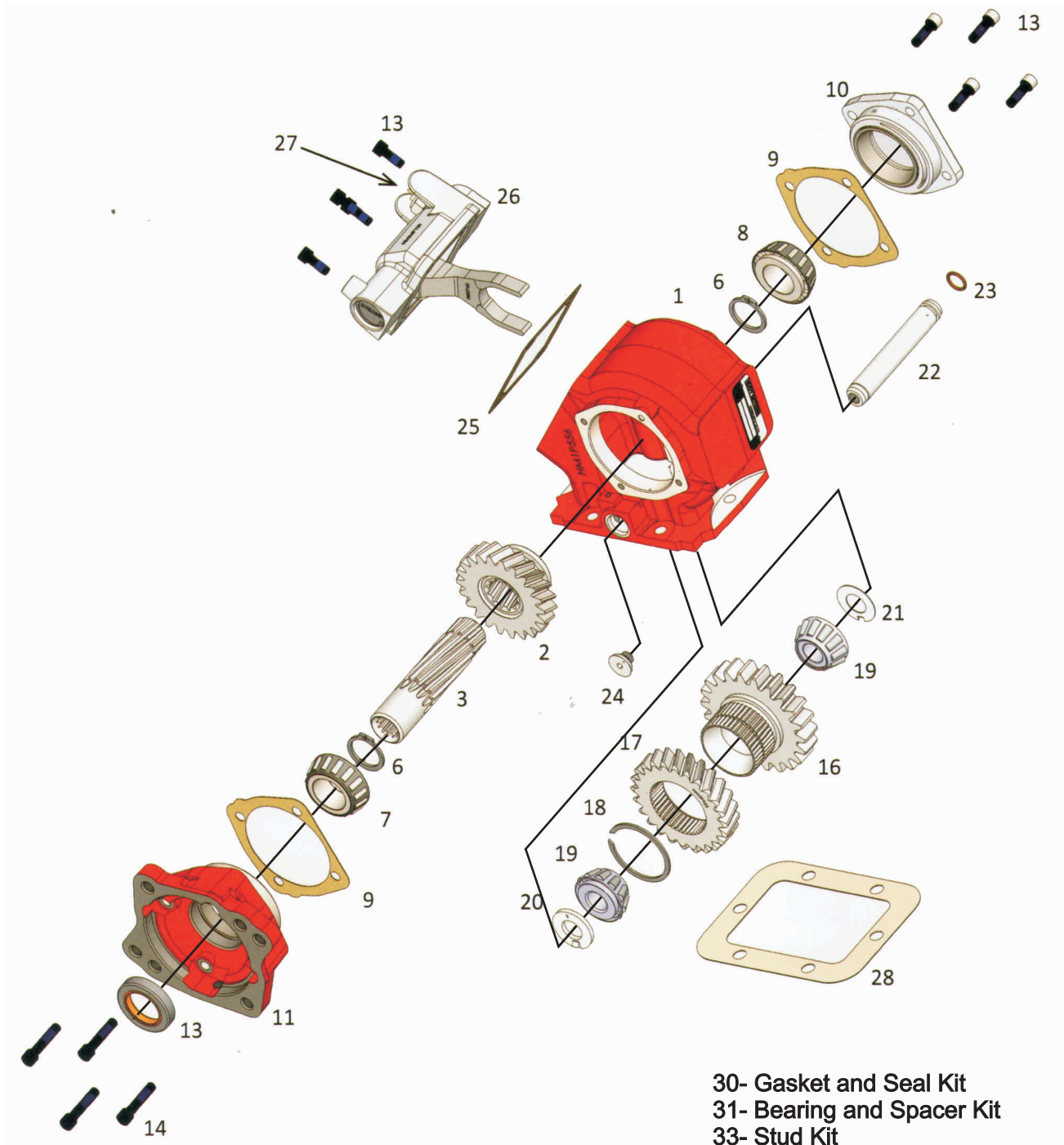
HM HIDRÁULICA S.A. DE C.V.

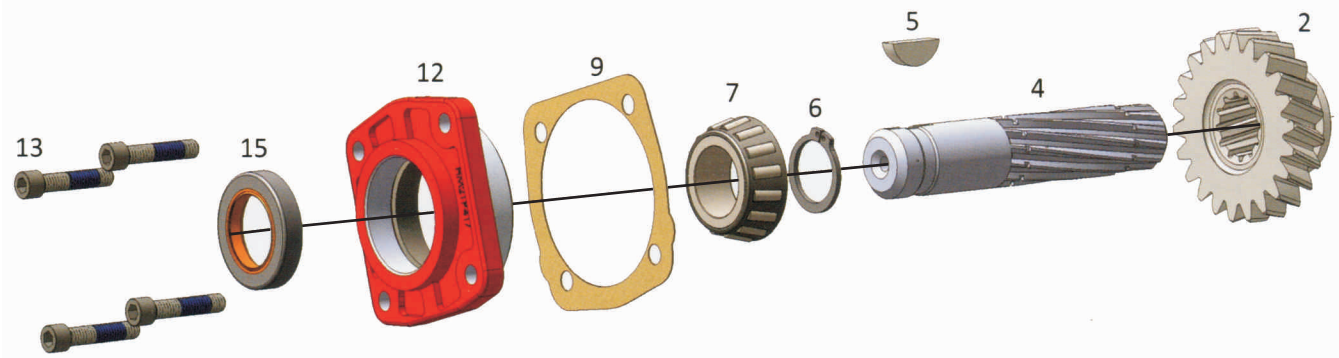
CONTENTS

Exploded View - Six Bolt PTOs	2
Parts List - Six Bolt PTOs	3-4
Input and Ratio Gears - Six Bolt PTOs	5-6
Exploded View - Eight Bolt PTOs	7
Parts List - Eight Bolt PTOs	8-9
Input and Ratio Gears - Eight Bolt PTOs	10
Air Controls	11-12
PTO Conversion Kit	13
Replacement Parts for Chealsea 277	14
Replacement Parts for Muncie TG6-TG8	
Specifications	15
Selecting a PTO	16
Suggested PTO percentages	
Arrangement Options	17
Assembly Options	18
Exploded View - Eight Bolt PTOs	19
HM2K8, HM2G8 , HM2N8 MODELS	
Parts List - Eight Bolt PTOs	20-21
HM2K8, HM2G8 , HM2N8 MODELS	
Table 2 - Ratio and Oitput Gears	22
Conversion Kits	
Warranty	23
Notes	24

EXPLODED VIEW - SIX BOLT PTOs

Serie HM542 (442)





PARTS LIST- SIX BOLT PTOs

Item	Part Number	Replacement for	Description
1	HM1P557X	1-P-557X	Standard Mounting Housing Assembly
	HM1P558X	5-P-558X	Deep Mount Housing Assembly
2	HM2P559	2-P-559	Output Ratio Gear (Q/R)
	HM2P726	2-P-726	Output Ratio Gear (F)
	HM2P560	2-P-560	Output Ratio Gear (U)
	HM2P561	2-P-561	Output Ratio Gear (W)
	HM2P637	2-P-637	Output Ratio Gear (S)
	HM2P727	2-P-727	Output Ratio Gear (L)
	HM2P728	2-P-728	Output Ratio Gear (X)
	3	HM3P282	3-P-282
4	HM3P202	3-P-202	Output 1-1/4" Keyed
5	HM500007-29	500007-29	Key, Woodruff
6	HM378391	378391	Reating Ring
7	HM550397	550397	Bearing Cone
8	HM550532	550532	Bearing Cone
9	HM22P127-1	22-P-127-1	Gasket 0.010"
	HM22P127-2	22-P-127-2	Gasket 0.020"
	HM22P127-3	22-P-127-3	Gasket 0.015"
10	HM328274X	328274X	Bearing Cap Assembly
11	HM328333X	328333X	Flange Assembly
12	HM328273X	328273X	Bearing Cap Open End
13	HM378447-6	378447-6	Capscrew
14	HM378447-8	378447-8	Capscrew
15	HM28P216	28-P-216	Shaft Seal
16	HM5P1004	5-P-1004	Input Gear (AH)
	HM5P1015	5-P-1015	Input Gear (BG)
	HM5P1037	5-P-1037	Input Gear (DA)
	HM5P1059	5-P-1059	Input Gear (ES)
	HM5P1077	5-P-1077	Input Gear (FAH)

PARTS LIST- SIX BOLT PTOs CONT.

Item	Part Number	Replacement for	Description
17	HM5P964X	5-P-964X	Input Ratio Gear (L)
	HM5P965X	5-P-965X	Input Ratio Gear (Q)
	HM5P966X	5-P-966X	Input Ratio Gear (S)
	HM5P967X	5-P-967X	Input Ratio Gear (U)
	HM5P968X	5-P-968X	Input Ratio Gear (W)
	HM5P969X	5-P-969X	Input Ratio Gear (X)
	HM5P1214X	5-P-1214X	Input Ratio Gear (R)
18	HM379522	379522	Reating Ring
19	HM550439	550439	Bearing Cone
20	HM14P73-1	14-P-73-1	Spacer 0.149"-0.151"
	HM14P73-2	14-P-73-2	Spacer 0.152"-0.154"
	HM14P73-3	14-P-73-3	Spacer 0.155"-0.157"
21	HM31P102	31-P-102	Thrust Washer
22	HM9P88	9-P-88	Idler Shaft
23	HM28P191	28-P-191	O-Ring
24	HM379672	379672	Plug
25	HM35P8	35-P-8	Gasket
26	HM329361X	329361X	Air Shifter
27	HM379639	379639	Indicator Switch
28	HM35P9-1	35-P-9-1	Mounting Gasket 0.010"
	HM35P9-2	35-P-9-2	Mounting Gasket 0.020"
29	HM379640	379640	Connector
30	HM328356-13X	328356-13X	Gasket and Seal Kit
31	HM328594-13X	328594-13X	Bearing and Spacer Kit
32	HM328948-6X	328948-6X	Gasket and Installation Instructions
33	HM328170-76X	328170-76X	Standard Stud Kit
	HM7171-72X	7170-72X	Metric Stud Kit
	HM328170-77X	328170-77X	Deep Mount Stud Kit

INPUT GEARS

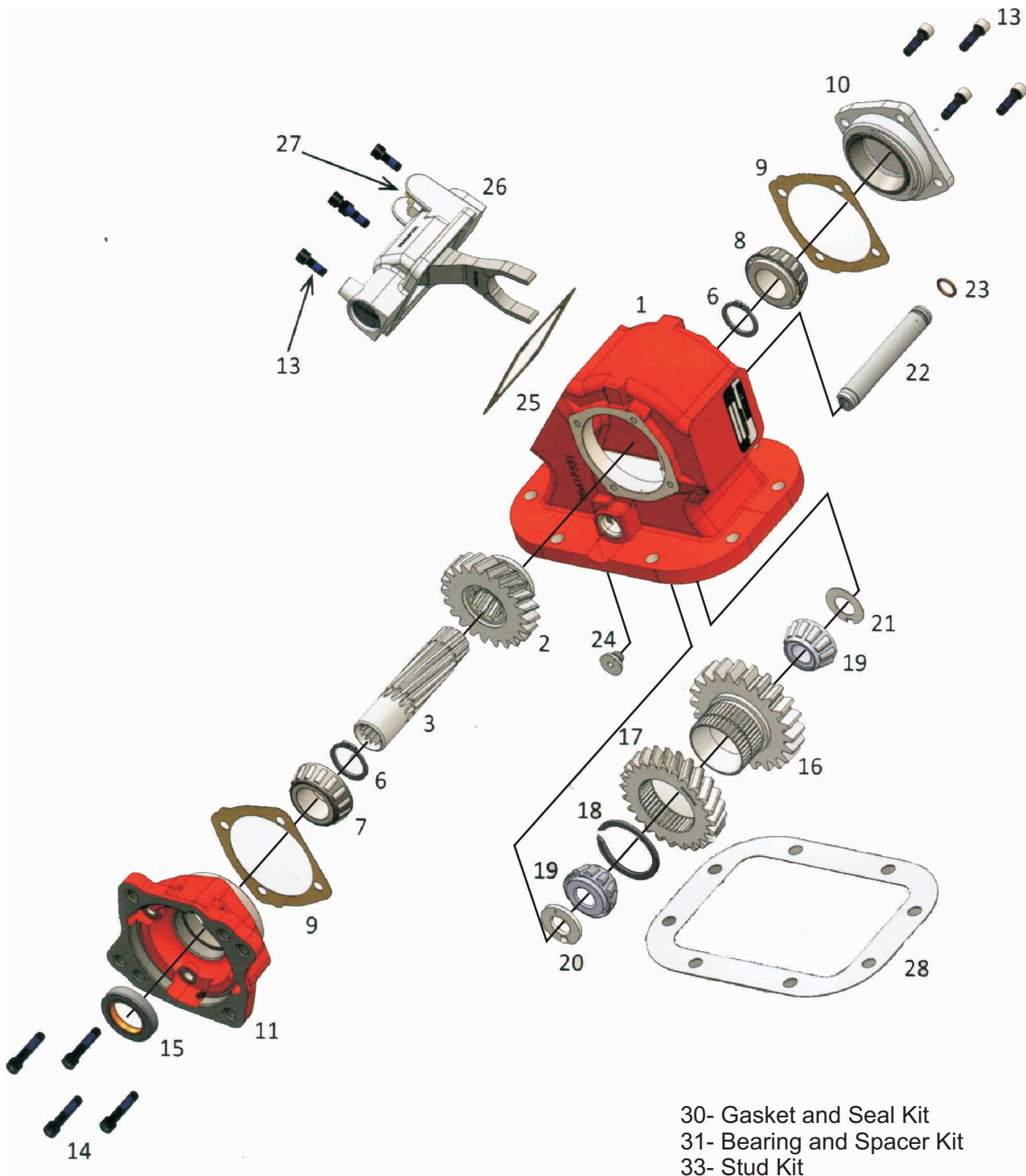
Heavy Motions® Model Number	Chelsea Model Number	Part Number	Type	Input	Teeth Ratio
HM542*FAH	442*FAH	HM5P1077	Spur	22	21
HM542**AH	442**AH	HM5P1004	Spur	22	
HM542**BG	442**BG	HM5P1015	Left Helix	23	
HM542**DA	442**DA	HM5P1037	Spur	23	
HM542**ES	442**ES	HM5P1059	Left Helix	22	

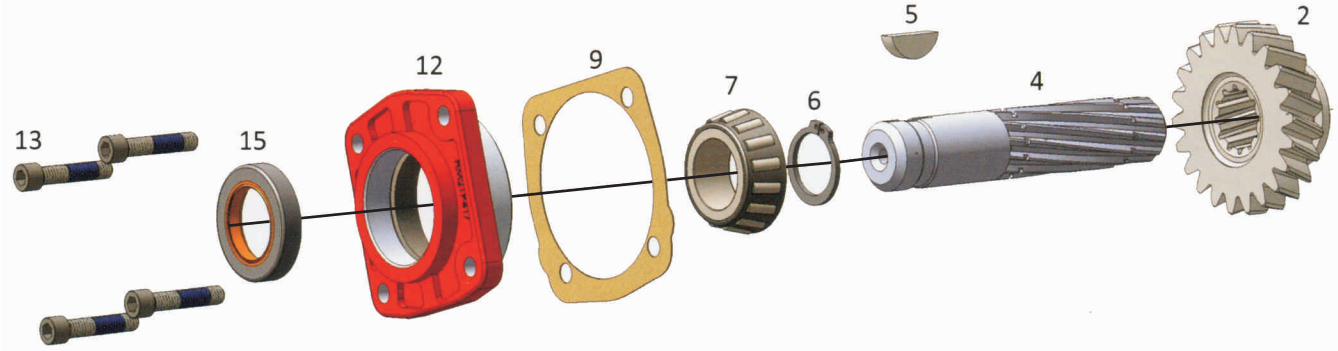
RATIO GEARS

Heavy Motions® Model Number	Chelsea Model Number	INPUT RATIO GEAR		OUTPUT GEAR	
		Part Number	Teeth	Part Number	Teeth
HM542*F	442*F			HM2P726	37
HM542*L	442*L	HM5P964	25	HM2P727	34
HM542*Q	442*Q	HM5P965	19	HM2P559	24
HM542*R	442*R	HM5P1214	22	HM2P559	24
HM542*S	442*S	HM5P966	24	HM2P637	22
HM542*U	442*U	HM5P967	26	HM2P560	20
HM542*W	442*W	HM5P968	26	HM2P561	17
HM542*X	442*X	HM5P969	38	HM2P728	21

EXPLODED VIEW - EIGHT BOLT PTOs

Serie HM589 (489)





PARTS LIST- EIGHT BOLT PTOs

Item	Part Number	Replacement for	Description
1	HM1P552X	1-P-552X	Standard Mounting Housing Assembly
	HM1P562X	5-P-562X	Deep Mount Housing Assembly
2	HM2P559	2-P-559	Output Ratio Gear (Q/R)
	HM2P726	2-P-726	Output Ratio Gear (F)
	HM2P560	2-P-560	Output Ratio Gear (U)
	HM2P561	2-P-561	Output Ratio Gear (W)
	HM2P637	2-P-637	Output Ratio Gear (S)
	HM2P727	2-P-727	Output Ratio Gear (L)
	HM2P728	2-P-728	Output Ratio Gear (X)
	3	HM3P282	3-P-282
4	HM3P202	3-P-202	Output 1-1/4" Keyed
5	HM500007-29	500007-29	Key, Woodruff
6	HM378391	378391	Reating Ring
7	HM550397	550397	Bearing Cone
8	HM550532	550532	Bearing Cone
9	HM22P127-1	22-P-127-1	Gasket 0.010"
	HM22P127-2	22-P-127-2	Gasket 0.020"
	HM22P127-3	22-P-127-3	Gasket 0.015"
10	HM328274X	328274X	Bearing Cap Assembly
11	HM328333X	328333X	Flange Assembly
12	HM328273X	328273X	Bearing Cap Open End
13	HM378447-6	378447-6	Capscrew
14	HM378447-8	378447-8	Capscrew
15	HM28P216	28-P-216	Shaft Seal
16	HM5P1004	5-P-1004	Input Gear (AH)
	HM5P1015	5-P-1015	Input Gear (BG)
	HM5P1037	5-P-1037	Input Gear (DA)
	HM5P1059	5-P-1059	Input Gear (ES)
	HM5P1077	5-P-1077	Input Gear (FAH)

PARTS LIST- EIGHT BOLT PTOs CONT.

Item	Part Number	Replacement for	Description
17	HM5P964X	5-P-964X	Input Ratio Gear (L)
	HM5P965X	5-P-965X	Input Ratio Gear (Q)
	HM5P966X	5-P-966X	Input Ratio Gear (S)
	HM5P967X	5-P-967X	Input Ratio Gear (U)
	HM5P968X	5-P-968X	Input Ratio Gear (W)
	HM5P969X	5-P-969X	Input Ratio Gear (X)
	HM5P1214X	5-P-1214X	Input Ratio Gear (R)
18	HM379522	379522	Reating Ring
19	HM550439	550439	Bearing Cone
20	HM14P73-1	14-P-73-1	Spacer 0.149"-0.151"
	HM14P73-2	14-P-73-2	Spacer 0.152"-0.154"
	HM14P73-3	14-P-73-3	Spacer 0.155"-0.157"
21	HM31P102	31-P-102	Thrust Washer
22	HM9P88	9-P-88	Idler Shaft
23	HM28P191	28-P-191	O-Ring
24	HM379672	379672	Plug
25	HM35P8	35-P-8	Gasket
26	HM329361X	329361X	Air Shifter
27	HM379639	379639	Indicator Switch
28	HM35P15-1	35-P-15-1	Mounting Gasket 0.010"
	HM35P15-2	35-P-15-2	Mounting Gasket 0.020"
29	HM379640	379640	Connector
30	HM328356-50X	328356-50X	Gasket and Seal Kit
31	HM328594-13X	328594-13X	Bearing and Spacer Kit
32	HM328948-8X	328948-8X	Gasket and Installation Instructions
33	HM328170-200X	328170-200X	Standard Stud Kit
	HM328170-201X	328170-201X	Metric Stud Kit

INPUT GEARS

Heavy Motions® Model Number	Chelsea Model Number	Part Number	Type	Input	Teeth Ratio
HM589*FAH	489*FAH	HM5P1077	Spur	22	21
HM589**AH	489**AH	HM5P1004	Spur	22	
HM589**BG	489**BG	HM5P1015	Left Helix	23	
HM589**DA	489**DA	HM5P1037	Spur	23	

RATIO GEARS

Heavy Motions® Model Number	Chelsea Model Number	Part Number	INPUT RATIO GEAR		OUTPUT GEAR	
			Teeth	Part Number	Teeth	
HM589*F	489*F			HM2P726	37	
HM589*L	489*L	HM5P964	25	HM2P727	34	
HM589*Q	489*Q	HM5P965	19	HM2P559	24	
HM589*R	489*R	HM5P1214	22	HM2P559	24	
HM589*S	489*S	HM5P966	24	HM2P637	22	
HM589*U	489*U	HM5P967	26	HM2P560	20	
HM589*W	489*W	HM5P968	26	HM2P561	17	
HM589*X	489*X	HM5P969	38	HM2P728	21	

PTO KITS - AIR CONTROLS

HM101V

PTO Shift Valve Assembly

Replacement for

Chelsea

329648X

- * Positive Locking Two Position, Three way
- * Spring Loaded Lockout Safety Knob
- * Push-to-Connect Fittings
- * Includes Indicator Light



HM101S-LH

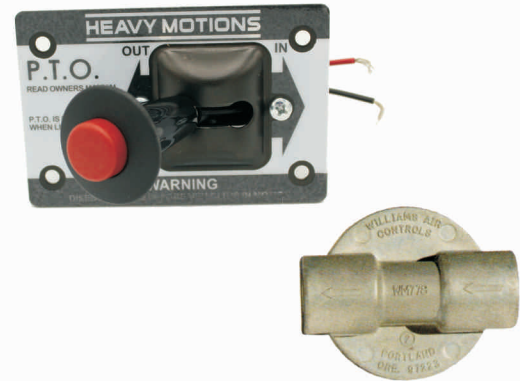
PTO Shift Valve Kit

Contains :

HM101V
HM1PPV

PTO Shift Valve Assembly
Pressure Protection Valve

- * Positive Locking Two Position, Three way
- * Spring Loaded Lockout Safety Knob
- * Push-to-Connect Fittings
- * Includes Indicator Light



HM103WK

PTO Combo Valve

Replacement for

Chelsea

329358X

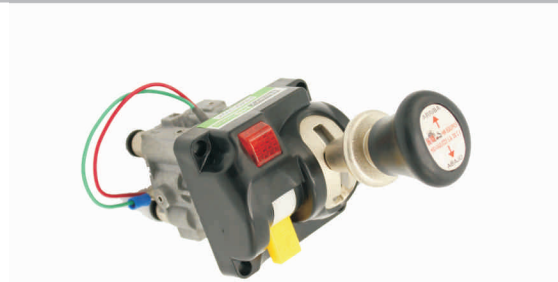
- * Prevents accidental PTO engagement
- * With kick out function
- * Controlled lowering of the body
- * Push-to-Connect Fittings



HM503WK

PTO Combo Valve - Small Design

- * Prevents accidental PTO engagement
- * With kick out function
- * Controlled lowering of the body
- * Push-to-Connect Fittings



PTO KITS - AIR CONTROLS Cont.

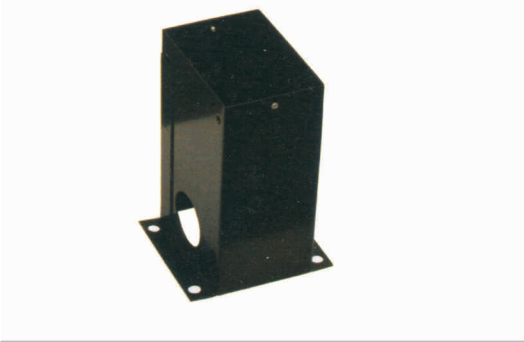
HM1PPV	PTO Shift Valve Assembly
Replacement for	
Chelsea	378414
Muncie	31M15759
	328863X
	* Opens at 60-70 psi



HM103WKT	PTO Combo Valve W/Tower
Replacement for	
Apsco	AV295C
Contains :	
HM103WK	PTO Combo Valve
HMTOWER-8	Tower / Console
	* With Kick out Function
	* Controlled lowering of the body
	* Psh-to-Connect Fittings
	* Universal 8" Tower



HMTOWER-8	Tower / Console
Replacement for	
Chelsea	329219X
	* Use with PTO Combo Valve
	* Universal 8" Tower
	* Dimensions: 8" x 4 5/8" x 3 1/4"
	* Base: 4 5/8" x 5"



HM503WK	PTO Combo Valve - Small Design
Replacement for	
Chelsea	379044-7
Muncie	45M4430
	* 1/4" Diameter
	* 30 ft. Long



HM11L	Indicator Light
	* Fits Valve HM101V



HM379640

PTO Wire for Ball Switch Connector

Replacement for
Chelsea

379640

* Used with Hm329361 Air Shifter



PTO CONVERSION KIT

HM328591-16X

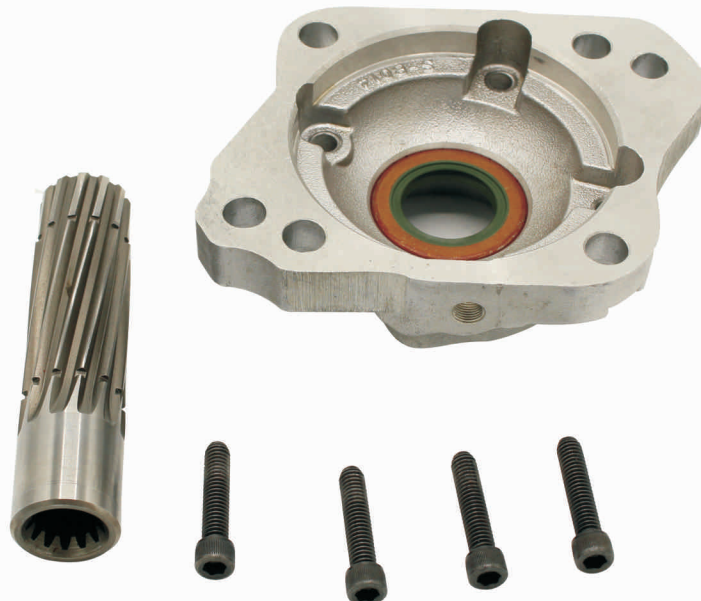
328591-16X

Replacement for
Chelsea

Converts remote mount HM589 and Chelsea 442 an 489 series PTO to a direct mount PTO.

Contains :

HM32833X	Flange Assembly	Qty:1
HM3P282	Output Shaft 7/8"	Qty:1
HM28P216	Shaft Seal	Qty:1
HM378447-8	Cascrew	Qty:4
HM378391	Retaining Ring	Qty:2
HM379688A	Spline Lubricant	Qty:2
HM22P127-1	Gasket 0.010"	Qty:2
HM22P127-2	Gasket 0.020"	Qty:2
HM22P127-3	Gasket 0.015"	Qty:1



FEATURED PRODUCTS

REPLACEMENT PARTS FOR CHELSEA® 277

FRICITION DISK

Heavy Motions	Replaces P/N	Description
HM379485	379485	Friction Disk

CLUTCH PLATE

Heavy Motions	Replaces P/N	Description
HM379595	379595	Clutch Plate

SHAFT

Heavy Motions	Replaces P/N	Description
HM3P1051	3-P-1051	Output Shaft 7/8" Tooth

REPLACEMENT PARTS FOR MUNCIE® TG6 & TG8

Parts are 100% interchangeable with those used in Muncie's® TG Series PTOs.

GEARS

Heavy Motions	Replaces P/N	Description	Pitch	Teeth
HM03T34284	03T34284	Input Gear	U68	24
HM03T34453	03T34453	Input Gear	C70	24
HM03T38546	03T38546	Input Gear	T81	29

SHAFTS

Heavy Motions	Replaces P/N	Description	Output Type	Dimensions
HM06T33963	06T33963	Output Shaft	"B" Remote Mount	1 1/4" Round
HM06T39143	06T39143	Output Shaft	"M", "K", "6" Hyd Shaft	7/8"-13 Tooth

GASKETS

Heavy Motions	Replaces P/N	Description	Holes	Thickness
HMGA6010	13M35091	Mounting Gasket	6	0.10"
HMGA6015	13M35092	Mounting Gasket	6	0.20"
HMGA8010	13M35151	Mounting Gasket	8	0.10"
HMGA8015	13M35152	Mounting Gasket	8	0.20"

STUD KITS

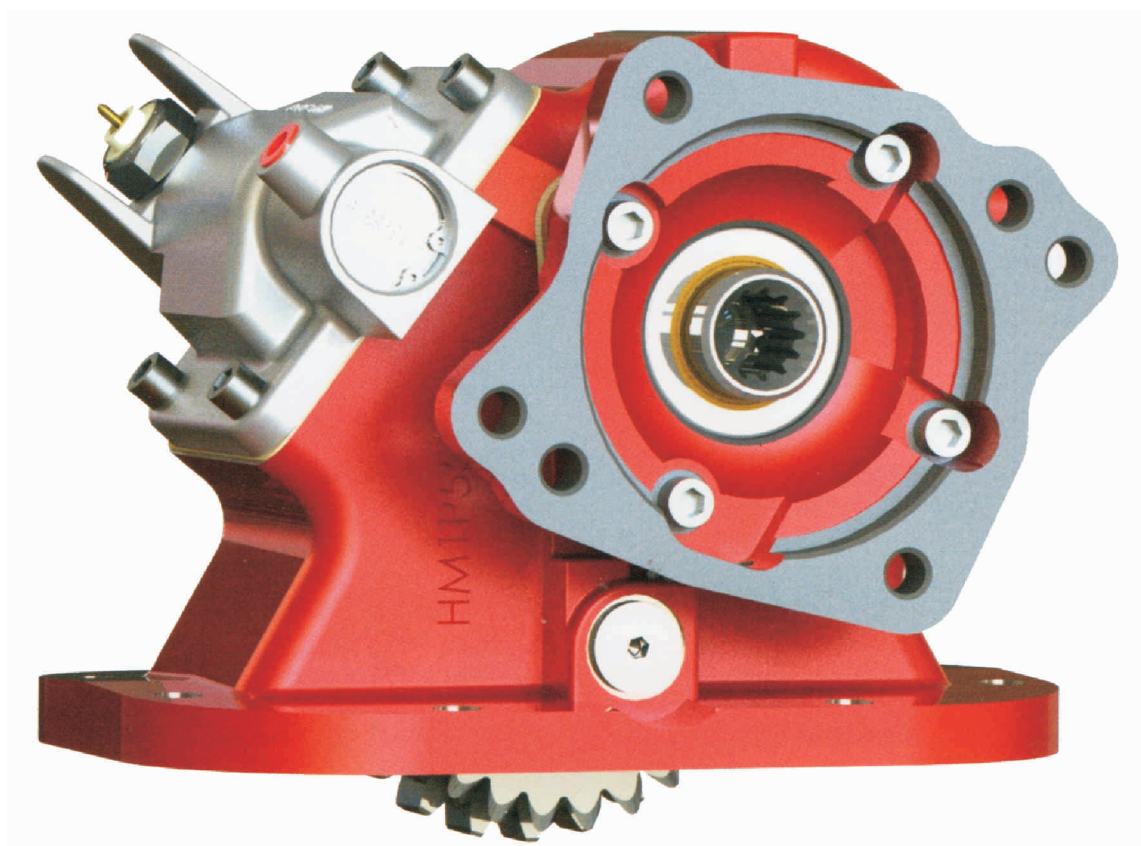
Heavy Motions	Replaces P/N	Description	Models
HM6SKS	20MK6700	6 bolt Std Mounting Kit	TG6S, TG6D
HM6SKM	20MKM602	6 bolt Metric Mounting Kit	TG6B, TG6C
HM8SKS	20MK8801	8 bolt Std Mounting Kit	TG8S, TG8D, TG8M
HM8SKM	20MKM801	8 bolt Metric Mounting Kit	TG8B, TG8C

MISCELLANEOUS

Heavy Motions	Replaces P/N	Description
HM1PPV	31M15759	Pressure Protection Valve
HM1TB	45M44430	Air Tubing 1/4-30 ft

SPECIFICATIONS

Ratio	F	Q	R
Torque Intermittent Service (LB. ft)	250	225	225
Torque Intermittent Service (N.m)	339	305	305
Power @ 500 RPM (HP)	24	21	21
Power @ 1,000 RPM (HP)	48	43	43
Power @ 500 RPM (KW)	18	16	16
Power @ 1,000 RPM (KW)	36	32	32
Approximate Weight (KG)		30lbs (13.6 kg)	



SELECTING A PTO

Please have the following information ready when selecting a new or replaced PTO.

TRANSMISSION MAKE AND MODEL: _____

MOUNTING LOCATION: BOTTOM, SIDE

PERCENTAGE OF ENGINE SPEED: ___% (See below for suggestions)

OUTPUT TYPE: SPLINED 13T 1/1-4" Round Shaft

SHIFTER: AIR SHIFT

IF AIR, CAB CONTROL : PTO ONLY , DUAL (PTO/PUMP)

CONTROL TOWER : YES ,

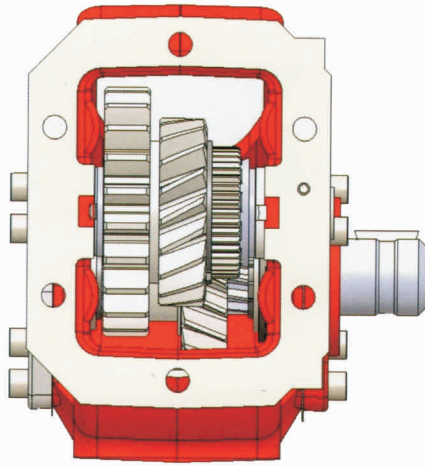
SUGGESTED PTO PERCENTAGES

Common uses are suggested below. Please be sure to match the PTO with the right pump flow requirements

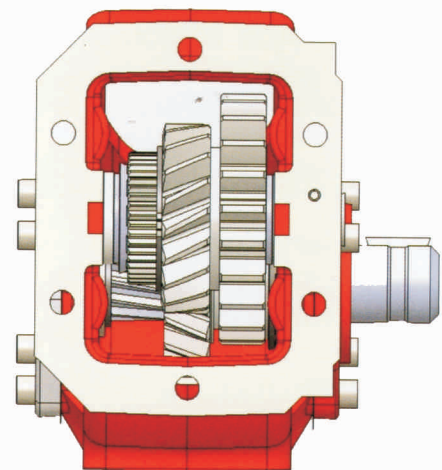
APPLICATION	PTO%
Dump Body - Small Single Axle	60%-90%
Dump Body - Medium Double Axle	80%-100%
Dump Body - Large, Tri-Axle	100%-120%
Dump Trailers	100%-120%
Moving Floors	90%-120%

ARRANGEMENT OPTIONS

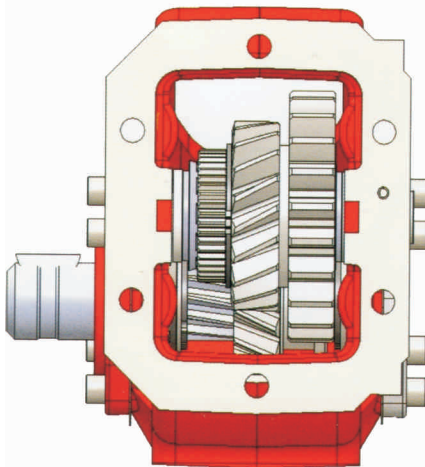
To identify the proper arrangement, place the PTO with the input gear facing you and the shifter up.



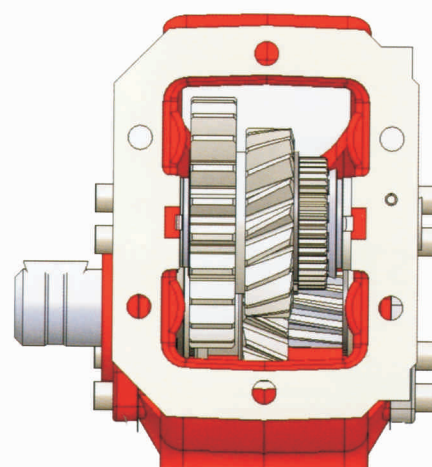
3
Right Side Output
Forward Input Gear



4
Right Side Output
Rear Input Gear



5
Left Side Output
Forward Input Gear



6
Left Side Output
Rear Input Gear

Series Hm589	Chelsea	Muncie
3	3	1
4	4	2
5	5	3
6	6	4

ASSEMBLY OPTIONS

HM589 X F AH X - A 3 XK

Model

HM589	8 Bolt
HM542	8 Bolt

Output Options

XK	SAE "B" 2/4 Bolt 7/8" 13T
XD	1-1/4" Standard Shaft

Assembly, Arrangement

3	Right, Forward
4	Right, Rear
5	Left, Forward
6	Left, Rear

Mounting

X	Standard Mount
K	Standard Mount Less Stud Kit
G	Standard Mount with Metric Stud Kit
L	Deep Mount Less Stud Kit
Z	Deep Mount

Shift Option

A	Air Shift with Cab Control
V	Air Shift No Cab Control
S	Air Shift with PTO/Dump Pump Combo valve

Ratio

F	21/37
L	25/34
Q	19/24
R	22/24
S	24/22
U	26/20
W	26/17
X	38/21

Lube Options

X	No Pressure Lubrication
---	-------------------------

Input Gear

IT	Without Gear
AH	Fuller Series
BG	TTC Transmission
DA	Mack Transmission
ES	Eaton Transmission

ASSEMBLY OPTIONS - EIGHT BOLT PTOs

HM2K8 X E A 01 1 RA

Model

HM2K8	Standard Mount
HM2M8	Standard Mount w/ Metric Stud Kit
HM2N8	Standard Mount Less Stud Kit

Lubrication Option

X	No Pressure Lubrication
---	-------------------------

Ratio

A	50%
B	55%
C	73%
E	86%
J	95%
O	125%
R	137%
S	150%
T	165%

Shift Option

A	Air Shift w/ Cab Control
C	Cable Shift
N	Air Shift No Cab Control
S	Air Shift w/PTO/Dump Pump Combo Valve
W	With 10" Cable
H	No Cover

Output Options

RA	SAE "B" 2/4 Bolt 7/8" 13T
RB	SAE "B" 2/4 Bolt 1" 15T
SD	SAE "B" 2 Bolt 7/8" 13T
SE	1-1/4" Std Round Shaft

Assembly, Arrangement

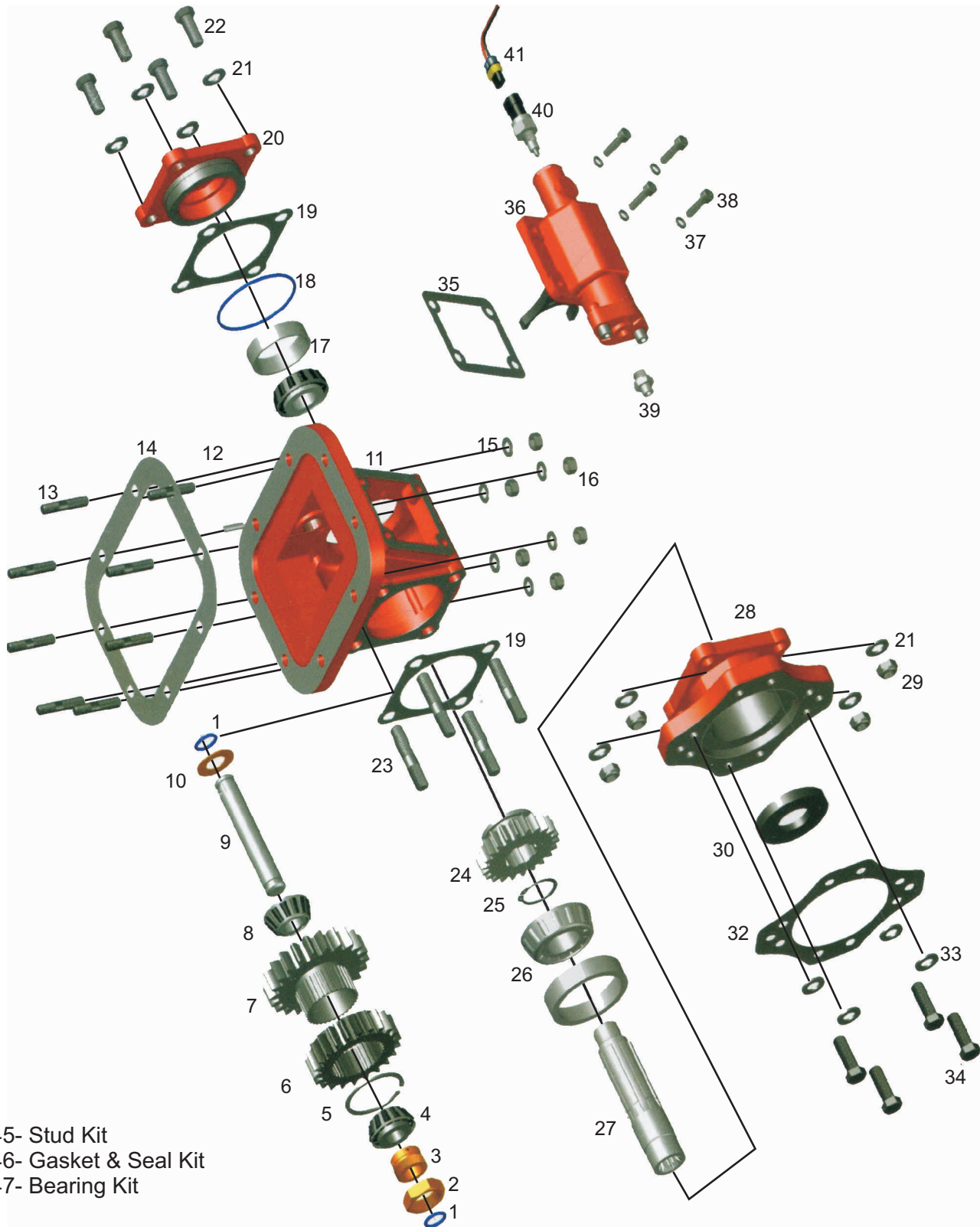
1	Right, Forward
2	Right, Rear
3	Left, Forward
4	Left, Rear

Ratio

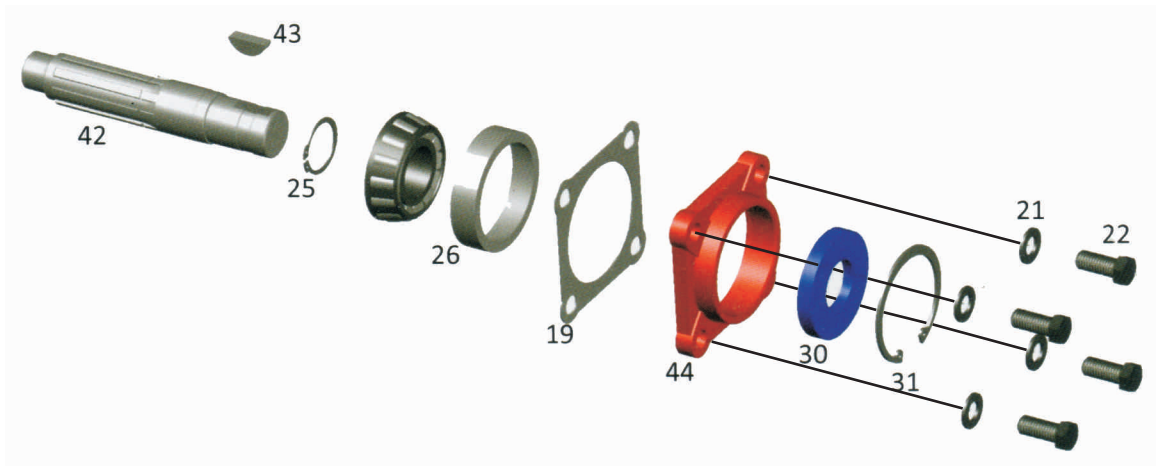
00	Without Gear
01	Fuller Series
02	Universal
05	Spicer
06	Tremec
08	Spicer
11	Spicer
17	Eaton 6305A
21	ZF S5-42/5.72
24	Mack
27	Eaton/Fuller
28	Fuller
33	Spicer
34	Spicer
50	ZF
52	ZED/F
68	Tremec

EXPLODED VIEW - EIGHT BOLT PTOs

HM2K8, HM2G8 , HM2N8 MODELS



45- Stud Kit
46- Gasket & Seal Kit
47- Bearing Kit



PARTS LIST- EIGHT BOLT PTOs

HM2K8, HM2G8, HM2N8 MODELS

Item	Part Number	Replacement for	Description
1	HMOR22	OR022	O-Ring
2	HMPN851	PN851	Adjusting Nut
3	HMPN841	PN841	Adjusting Bush
4	HMRB023	RB023	Bearing Cone
	HMR035	RB035	Bearing Cone- "B" Ratio Only
5	HMSR001	SR001	Snap Ring
6	Table 2 - Pg. 13		Ratio Gear
7	Table 1 - Pg. 13		Input Gear
8	HMRB023	RB023	Bearing Cone
9	HMIP531		Idler Shaft
10	HMWA008	WA008	Spacer
11	HMHS2000		8 Hole Housing Std Mounting
12	HMCP01		Cylindrical Pin
	HMST026	ST026	Stud
13	HMCS020	CS020	Cascrew
	HMGA8010	GA8010	Gasket 0.010"/0.3 mm
14	HMGA8015	GA8015	Gasket 0.020"/0.5 mm
	HMGA8020	GA8020	Gasket 0.040"/1.0 mm
15	HMWA009	WA009	Washer
16	HMNU003	NU003	Hex Nut
17	HMRB003	RB003	Bearing Cone and Cup
18	HMOR093	OR093	O-Ring
19	HMGA4015EC	GA4015EC	Gasket

PARTS LIST- EIGHT BOLT PTOs Cont.

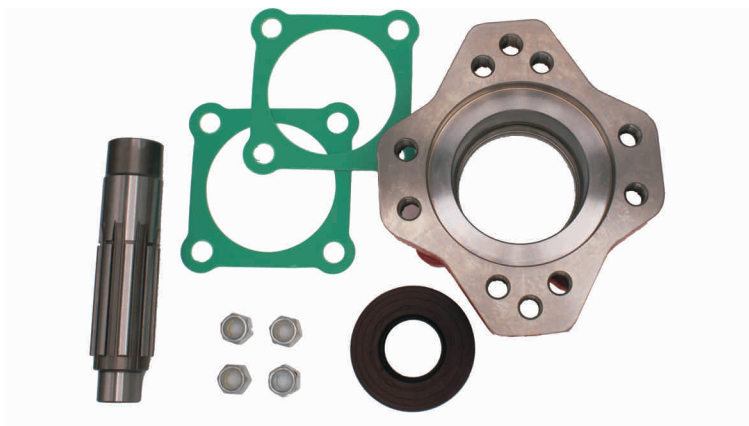
Item	Part Number	Replacement for	Description
20	HMEC931	EC391	Bearing Cover Assembly
21	HMWA009	WA009	Washer
22	HMCS011	CS011	Capscrew
23	HMST096	ST096	Stud
24	<i>Table 2 - Page 13</i>		Output Gear
25	HMSR005	SR005	Snap Ring
26	HMRB004	RB004	Bearing Cone And Cup
27	HMOS791	OS791	Output Shaft - Direct Mount SAE B 13 T
28	HMFL904X	FL904X	Flange - Remote Mount
29	HMNU003	NU003	Hex Nut, Self- Locking
30	HMSE007	SE007	Oil Seal
31	HMSR013	SR013	Snap Ring
32	HMGA091	GA091	Gasket
33	HMWA012	WA012	Washer
34	HMCS025	CS025	Capscrew
35	HMGA4015SC	GA4015SC	Gasket - Shifter
36	HM902299	902299	Air Shifter Kit - Arrangements 1 & 4
	HM903899	903899	Air Shifter Kit - Arrangements 2 & 3
	HM902099	902099	Mechanical Shifter Kit - Arrangements 1 & 4
	HM903599	903599	Mechanical Shifter Kit - Arrangements 2 & 3
37	HMW4S009		Washer
38	HMAS009	AS009	Screw - Allen Head
39	HMFI216-S	FI216-S	Straight Push-to-connect Fitting
	HMFI216-E	FI216-E	Elbow Push-to-connect Fitting
40	HMSW012		Indicator Switch
41	HMSWK599		Switch Connector
42	HMOS235	OS235	Output Shaft- Remote Mount 1 1/4" Rnd Keyed
43	HMWK516	WK516	Key Woodruff
44	HMOC662X	OC662X	Open End Cover
45	HM8SKS		Stud Kit - Standard Mount
	HM8SKM		Stud Kit - Metric
46	HM2K-GSK-01		Gasket And Seal Kit
47	HM-BRG-01		Bearing Kit

TABLE 2 - RATIO AND OUTPUT GEARS

Ratio	Percentage	RATIO GEAR		OUTPUT GEAR	
		Part Number	Replacement for	Part Number	Replacement for
A	50%	<i>see table 1</i>		HMR734	R/734
B	55%	<i>see table 1</i>		HMR705	R/705
C	73%	HMR686	R/686	HMR687	R/687
E	86%	HMR653-2	R/653-2	HMR654-1	R/654-1
J	95%	HME655-2	R/655-2	HMR656-1	R/656-1
O	125%	HME567-2	R/657-2	HMR658-1	R/658-1
R	137%	HME729	R/729	HMR730	R/730
S	150%	HME731	R/731	HMR732	R/732
T	165%	HME659-2	R/659-2	HMR660-1	R/660-1

CONVERSION KITS

HM-1K2K-DMK-01 Direct Mount Conversion Kit



Converts any HM1 and HM2 PTO to Direct Mount:

SAE B 2/4 Bolt - 7/8 Flange
7/8"- Teetg Output Shaft

HM-1K2K-DMK-01 Remote Mount Conversion Kit



Converts any HM1 and HM2 PTO to Remote Mount:

1 1/4" Round Output Shaft
5/16" Woodruff Key

HEAVY MOTIONS, INC. PTO WARRANTY

The Heavy Motions PTOs and other parts covered in this catalog are warranted for a period of (2) two years from the date of installation against any defect in material and workmanship which existed at the time of sale by Heavy Motions Inc., according to the following provisions, subject to the requirements that the PTO must be used only in the appropriate applications and following the installation and Owner's Manual instructions.

If during the warranty period the PTO fails due to a defect in any part in material or workmanship that existed at the time of sale by Heavy Motions Inc., the defective part will be repaired or replaced, at the discretion of Heavy Motions Inc., at no charge, if the defective is required to initiate the warranty.

WARNING: The above warranty shall terminate if any alterations or repairs are made to the PTO other than at Heavy Motions Inc.

The foregoing warranty is in lieu of all other obligations and liabilities, including negligence and all warranties of merchantability and suitability, expressed or implied, and state Heavy Motions' entire and exclusive liability and buyer's exclusive remedy for any claim of damages in connection with the sale, repair or replacement of the above goods, their design, installation or operation. Heavy Motions Inc. will in no event be liable for any direct, indirect, special, incidental or consequential damages whatsoever, and our liability under no circumstances will exceed the contract price for the goods for which liability is claimed.

Heavy Motions Inc. is not liable for any repair related cost incurred to the Buyer at any time if the repair is conducted by the buyer without written authorization from Heavy Motions Inc.



HM HIDRÁULICA S.A. DE C.V.

www.hmhidraulica.com

**Juan Antonio # 53,
Col. Las Pintas de Abajo C.P. 45619
Tlaquepaque, Jalisco, México**



**De Lunes a Viernes
de 9:00 A.M. a 2:00 P.M.
y de 3:00 a 6:00 P.M.**

Sábado de 9:00 A.M. a 1:00 P.M.

☎ 33 3606 3314 y 33 1657 7138

ventas@hmhidraulica.com

**Magnolia # 2844,
Jardines de la Moderna C.P. 64530
Monterrey, Nuevo León, México**



**De Lunes a Viernes
de 9:00 A.M. a 2:00 P.M.
y de 3:00 a 6:00 P.M.**

Sábado de 9:00 A.M. a 1:00 P.M.

☎ 81 1104 3209

ventas@hmhidraulica.com