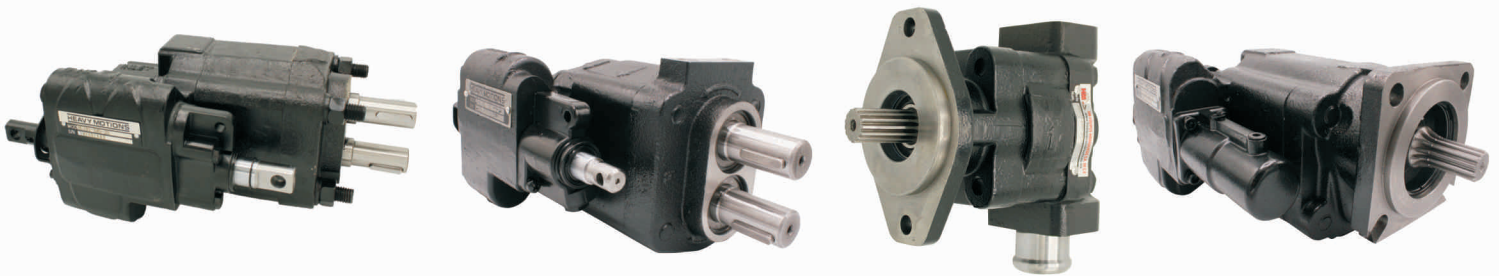
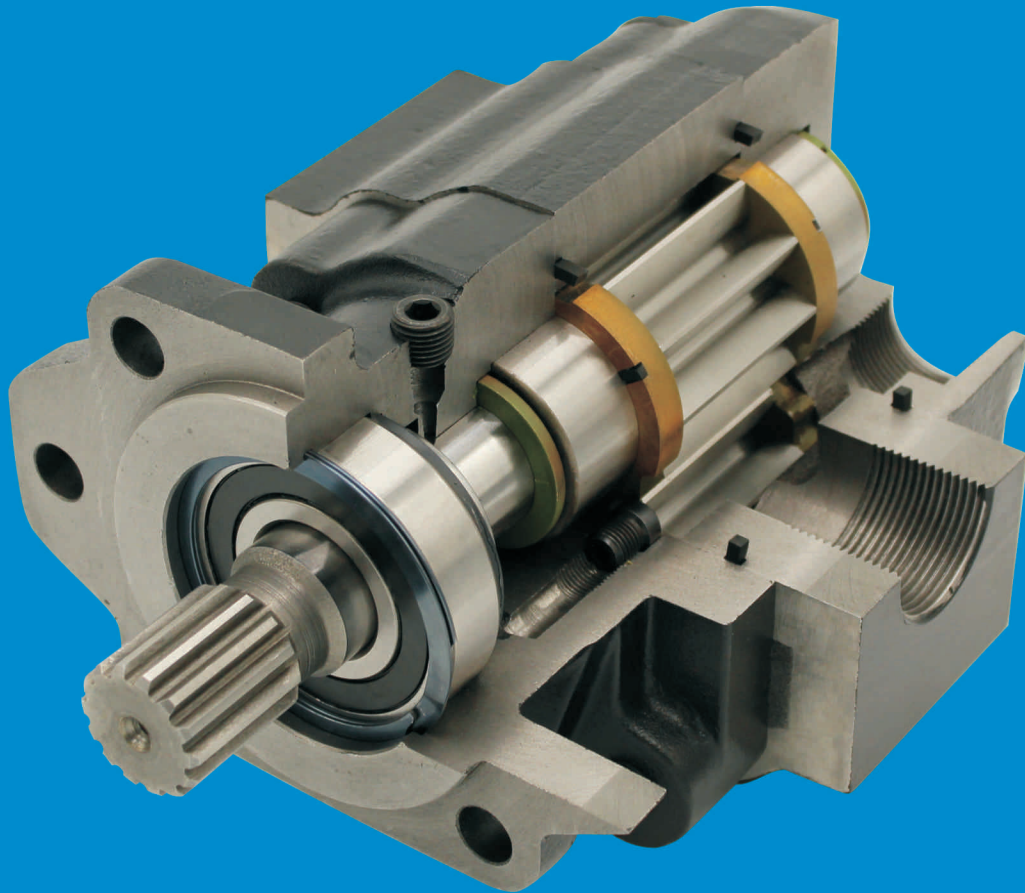


PUMPS & MOTORS



your source for your mobile hydraulic needs

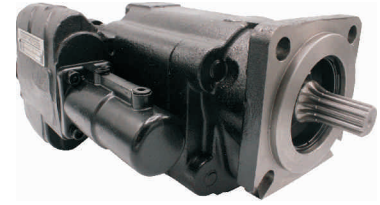


HM HIDRÁULICA S.A. DE C.V.

CONTENTS

Dump Pumps	1-2
* “C” Series, “G” Series and Accesories	
Hc102 Exploded View and Break Down	3-4
Hg102 Exploded View and Break Down	5-6
P21 Exploded View and Break Down	7-9
P31 Exploded View and Break Down	10-12
P50/51 Exploded View and Break Down	13-16
Gear Pumps	17-20
* H21, H35, H51, H55, H7 and H62	
Dry Valve	20
In-line Accesories/Flow Control Valve	21
Warranty Policy	22

DUMP PUMPS



"C" SERIES DIRECT MOUNT

replacement for Parker/Commercial C102 series

Part Number	Description	Shaft	Gear	Inlet	Pressure & Return Port
HC102-LMS-20	Left hand rotation manual shift	7/8"-13 Tooth	2"	1-1/4" NPT	1" NPT
HC102-LMS-25	Left hand rotation manual shift	7/8"-13 Tooth	2.5"	1-1/4" NPT	1" NPT
HC102-LAS-25	Left hand rotation with air shift cylinder	7/8"-13 Tooth	2.5"	1-1/4" NPT	1" NPT
HC102-RMS-25	Right hand rotation manual shift	7/8"-13 Tooth	2.5"	1-1/4" NPT	1" NPT
HC 02-RAS-25	Right hand rotation whit air shift	7/8"-13 Tooth	2.5"	1-1/4" NPT	1" NPT



"C" SERIES REMOTE MOUNT

replacement for Parker/Commercial C101 series

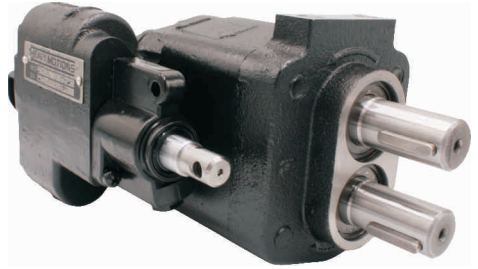
Part Number	Description	Shaft	Gear	Inlet	Pressure & Return Port
HC101-XMS-20	Either shaft rotation manual shift	1" Keyed	2"	1-1/4" NPT	1" NPT
HC101-XMS-25	Either shaft rotation manual shift	1" Keyed	2.5"	1-1/4" NPT	1" NPT



"G" SERIES DIRECT MOUNT

replacement for Parker/Commercial G102 series

Part Number	Description	Shaft	Gear	Inlet	Pressure & Return Port
HG102-LAS-20 (4B)	Left hand rotation, with air shift direct mount, 4 bolt mount	7/8"-13 Tooth	2"	1-1/4" NPT	3/4" NPT
HG102-LMS-20 (4B)	Left hand rotation, manual shift direct mount, 4 bolt mount	7/8"-13 Tooth	2"	1-1/4" NPT	3/4" NPT
HG102-LMS-20 (2B)	Left hand rotation, manual shift direct mount, 2 bolt mount	7/8"-13 Tooth	2"	1-1/4" NPT	3/4" NPT
HG102-RAS-20 (4B)	Left hand rotation, with air shift direct mount, 4 bolt mount	7/8"-13 Tooth	2"	1-1/4" NPT	3/4" NPT
HG102-RMS-20 (4B)	Left hand rotation, manual shift direct mount, 4 bolt mount	7/8"-13 Tooth	2"	1-1/4" NPT	3/4" NPT



"G" SERIES REMOTE MOUNT
 replacement for Parker/Commercial G101 series

Part Number	Description	Shaft	Gear	Inlet	Pressure & Return Port
HG101-XMS-20	Either shaft rotation manual shift	1" Keyed	2"	1-1/4" NPT	3/4" NPT

Accessories

MOUNTING BRACKET

Part Number	Description
HM314-0100-005	For C101



AIRSHIFT VALVE

Part Number	Description
AKC102-4	C101/C102, Air shift kit, 4 bolt pattern
AKG102	G101/G10, 2 bolt pattern

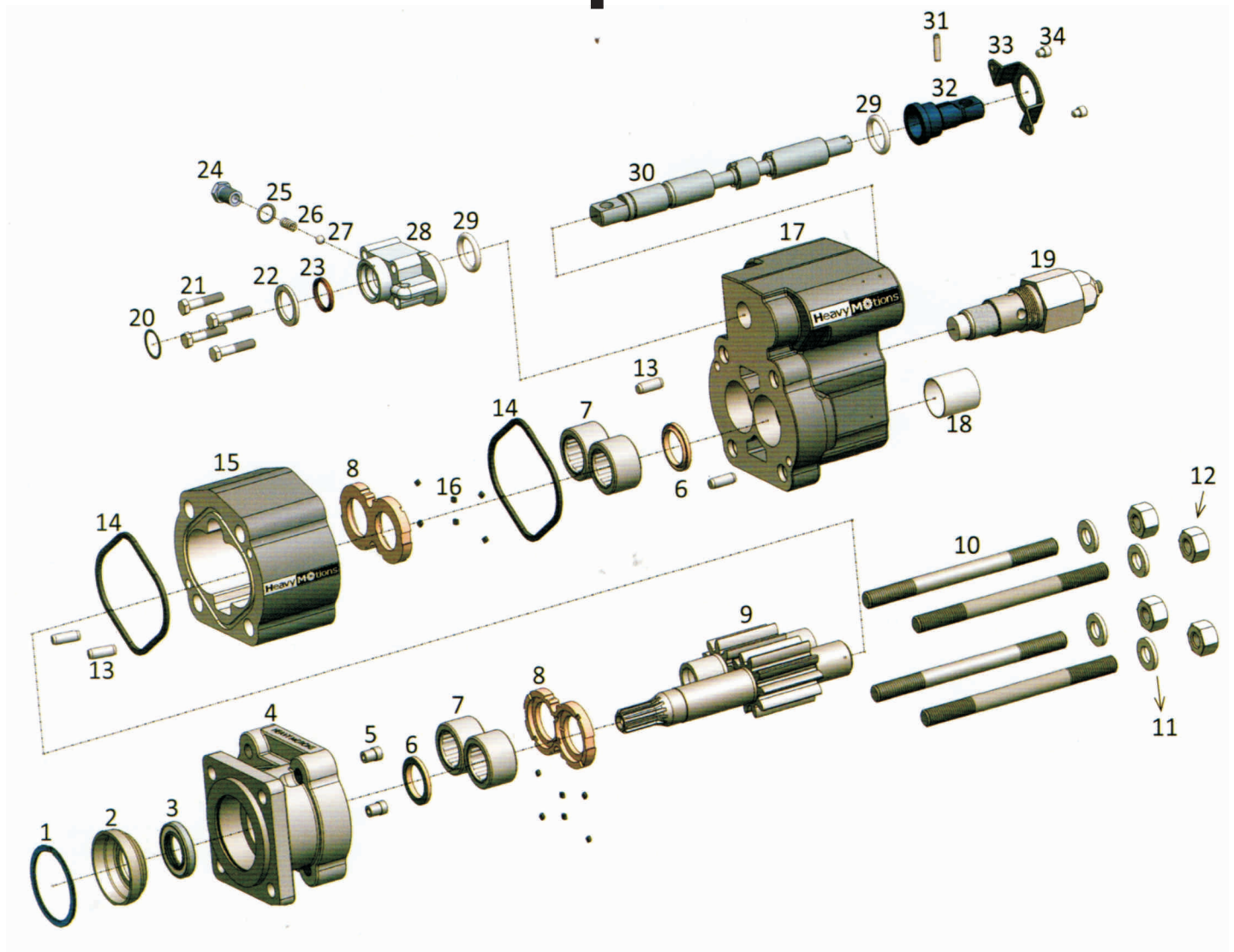
15 Gal.



27 Gal.



HC102 Exploded View

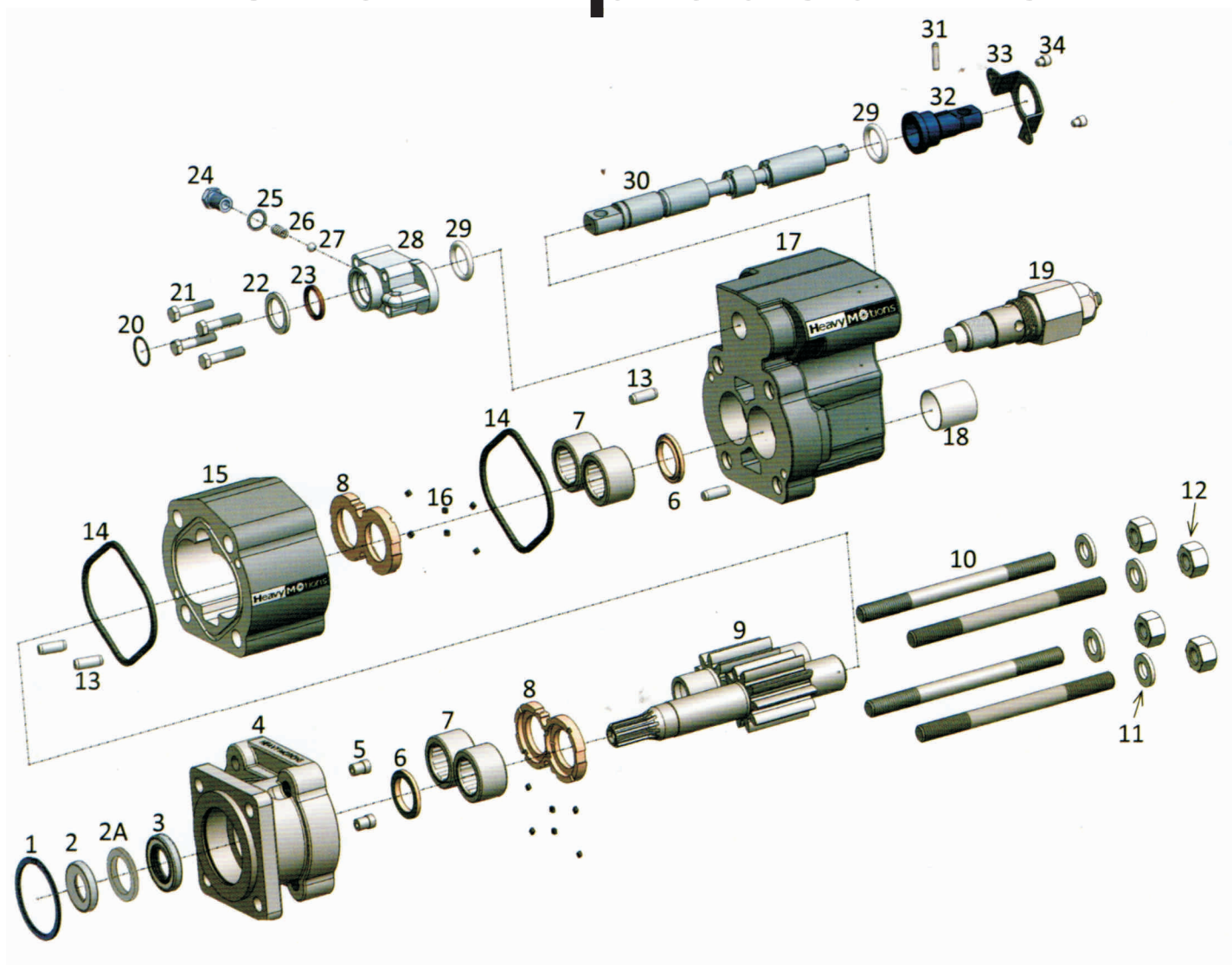


HC102 Parts Break Down

Item	Heavy Motions®	Req. *per stage	Parker®	Description
1	HM391-2686-065	1	391-2686-065	Spiral Ring
2	HM391-3383-087	1	391-3383-087	Seal Retainer
3	HM391-2883-115	1	391-2883-115	Shaft Seal
4	51M-SEC-4B	1	313-5037-401	Shaft End Cover
5	HM391-3681-001	2	391-3681-001	Check Valves
6	HM391-2585-009	2	391-2585-009	Ring Seals
7	WS1032	4	391-0381-059	Roller Bearings
8	P51-THRUST	2	391-2185-012	Thrust Plates
9	50-GS-14S-25	1	313-2925-230	Shaft & Gear Set 2-1/2"
10	****	4		Studs
11	HM391-3784-028	4	391-3784-028	Washers
12	HM391-1451-076	4	391-1451-076	Hex Nuts
13	HM391-2081-032	4	391-2082-032	Dowels
14	HM391-2884-021	2	391-2884-021	Gasket Seals
15	102-H-25	1	314-8225-100	Gear Housing 2-1/2"
16	HM391-2882-051	1	391-2882-051	Pocket Seal Strip
17	****	1		*Port End Cover
18	HM391-3283-052	1	391-3283-052	Sleeve(optional)
19	HM355-9001-067	1	355-9001-067	Relief Valve
20	HM391-2688-003	1	391-2688-003	Snap Ring
21	HM391-1401-082	4	391-1401-082	Cap Screws
22	HM391-3782-126	1	391-3782-126	Retainer Ring
23	HM391-2883-147	1	391-2883-147	Wiper Ring
24	HM391-2583-079	1	391-2583-079	Detent Retainer
25	HM391-3788-002	1	391-3788-002	Lock Washer
26	HM391-3581-383	1	391-3581-383	Detent Spring
27	HM391-0282-009	1	391-0282-009	Detent Ball
28	HM314-0100-003	1	314-0100-003	Detent Cap
29	HM391-2881-103	2	391-2881-103	O-ring
30	****	1		Valve Spool
31	HM391-2085-009	1	391-2085-009	Sheer Pin
32	HM391-1881-073	1	391-1881-073	Spool End Cap
33	HM391-0981-010	1	391-0981-010	End Cap Bracket
34	HM391-1402-063	2	391-1402-063	Socket Head Bracket Screws

NOTE: *Item 17 and 30 are non-serviceable parts, item 10 is a non stocking item.
Please call us for futher details

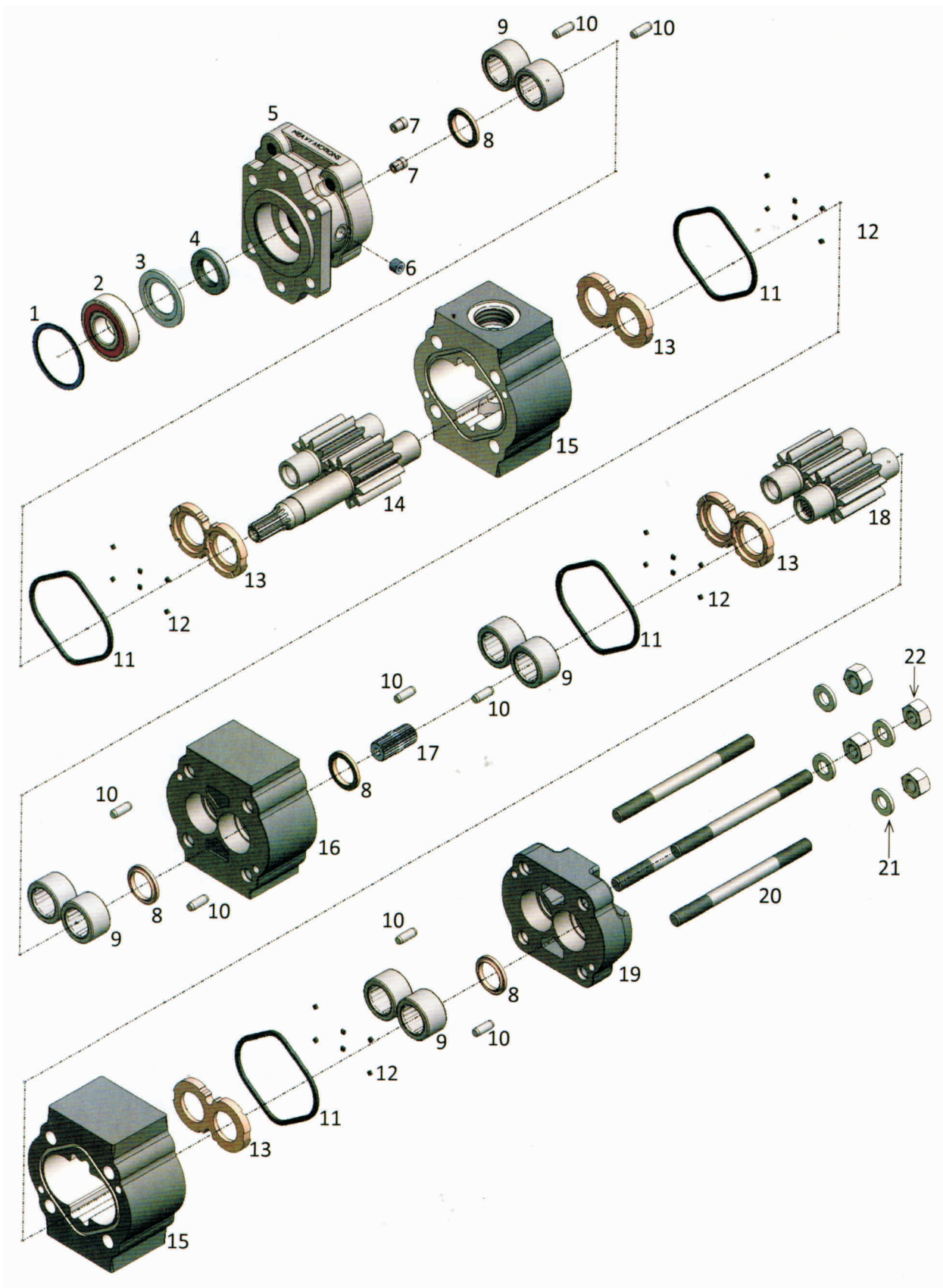
HG102 Exploded View



HG102 Parts Break Down

Item	Heavy Motions®	Req. *per stage	Parker®	Description
1	HM391-2686-063	1	391-2686-063	Snap Ring
2	HM391-3383-069	1	391-3383-069	Spacer
2A	HM391-3381-040	1	391-3381-040	Seal Retainer
3	HM391-2883-119	1	391-2883-119	Shaft Seal
4	21M-SEC-4B	1	308-5030-401	Shaft End Cover
5	HM391-3681-001	2	391-3681-001	Check Valve
6	HM391-2585-006	2	391-2585-006	Ring Seal
7	WY1032	4	391-0381-906	Roller Bearing
8	P31-THRUST	2	391-2185-013	Thrust Plate
9	30-GS-14S-20	1	312-2920-230	Shaft/gear Set
10	n/a	n/a	n/a	n/a
11	n/a	n/a	n/a	n/a
12	n/a	n/a	n/a	n/a
13	HM391-2082-071	4	391-2082-071	Dowl
14	HM391-2884-019	2	391-2884-019	Body Gasket
15	G102-H-20	1	308-8020-901	Geat Housing
16	HM391-2882-051	12	391-2882-051	Thrust Plate Pocket Seal
17	n/a	n/a	n/a	n/a
18	HM391-3283-052	1	391-3283-052	Optional Sleeve
19	HM355-9001-197	1	355-9001-197	Relief Valve
20	n/a	n/a	n/a	n/a
21	n/a	n/a	n/a	n/a
22	n/a	n/a	n/a	n/a
23	HM391-2883-152	1	391-2883-152	Wiper Seal
24	HM391-2583-079	1	391-2583-079	Detent Retainer
25	HM391-3788-002	1	391-3788-002	Lock Washer
26	HM391-3571-383	1	391-3581-383	Detent Spring
27	HM391-0282-009	1	391-0282-009	Detent Ball
28	HM308-4000-102	1	308-4000-102	Detent Cap
29	HM391-1985-014	2	391-1985-014	Quad Ring
30	n/a	n/a	n/a	n/a
31	HM391-2085-009	1	391-2085-009	Spiral Pin
32	HM391-1881-072	1	391-1881-072	Spool End Cap
33	HM391-0981-007	1	391-0981-007	Stop Bracket
34	HM391-1402-063	2	391-1402-063	Capscrew

P21 Exploded View



P21 Parts Break Down

Item	Heavy Motions®	Req. *per stage	Parker®	Description
1	HM312-0100-002	1	391-2686-063	21/31/330,Shaft Bearing Snap Ring,(Spirolox),X97-100
2	30-SHFTBRG	1	391-0381-040	X69-40,6205-2RS-16
3	HM391-3381-040	1	391-3381-040	21/31,Seal Retainer, AE-1669
4	HM391-2883-058	1	391-2883-058	21/31/330, Pump Shaft Seal, Integral ,X73-37-16
	HM391-2883-119	1	391-2883-119	21/31/M330, Motor Shaft Seal, Integral, X73-50-9
5	21M-SEC-2/4B	or 1	308-5053-402	21,Shaft End Cover,2/4 Bolt "B" w/Case Drain, DB-020D,Doweled
	21M-SEC-2A	1	308-5020-404	21,Shaft End Cover,2 Bolt "A" w/Case Drain, WD-020D,Doweled
	21M-SEC-2B		308-5020-401	21,Shaft End Cover,2 Bolt "B" w/Case Drain, GD-020D,Doweled
	21M-SEC-2BS		308-5029-405	21,Shaft End Cover,2 Bolt "B" Short, GD-020DS,Doweled
	21M-SEC-4B		308-5030-401	21,Shaft End Cover,4 Bolt "B" w/Case Drain, EB-020D,Doweled
6	N/a		N/a	1/14-18 Pipe Plug
7	HM391-2286-004	1	391-2286-004	Plug, T1391
	HM391-3681-001	or 2	391-3681-001	Check Valve, M1391K
8	HM391-2585-006	2*	391-2585-006	31,Ring Seal, LB-1009-1
9	WY1032	4*	391-0381-906	21/31,Roller Bearing, Y-1032
10	HM391-2082-071	4*	391-2082-071	21,315 Dowel Pin, .25 x 5/8"
11	HM391-2884-019	2*	391-2884-019	21,Body Gasket, UB-3006-239
12	HM391-2882-051	1*	391-2882-051	31/51, Thrust Plate Pocket Seal Strip
13	P31-THRUST	2*	391-2185-013	21/31, Thrust Plate, AA-1058-TC
14	30-GS-14K-07	1	312-2907-730	Shaft/Gear Set 7/8 Keyed, DD-1135M-3-07, 3/4"
	30-GS-14K-10		312-2910-730	Shaft/Gear Set 7/8 Keyed, DD-1135M-3-10, 1"
	30-GS-14K-12		312-2912-730	Shaft/Gear Set 7/8 Keyed, DD-1135M-3-12, 1-1/4"
	30-GS-14K-15		312-2915-730	Shaft/Gear Set 7/8 Keyed, DD-1135M-3-15, 1-1/2"
	30-GS-14K-17		312-2917-730	Shaft/Gear Set 7/8 Keyed, DD-1135M-3-17, 1-3/4"
	30-GS-14K-20		312-2920-730	Shaft/Gear Set 7/8 Keyed, DD-1135M-3-20, 2"
	30-GS-14S-07		312-2907-230	Shaft/Gear Set 7/8 Tooth, BD-1135M-3-07, 3/4"
	30-GS-14S-10		312-2910-230	Shaft/Gear Set 7/8 Tooth, BD-1135M-3-10, 1"
	30-GS-14S-12		312-2912-230	Shaft/Gear Set 7/8 Tooth, BD-1135M-3-12, 1-1/4"
	30-GS-14S-15		312-2915-230	Shaft/Gear Set 7/8 Tooth, BD-1135M-3-15, 1-1/2"
	30-GS-14S-17		312-2917-230	Shaft/Gear Set 7/8 Tooth, BD-1135M-3-17, 1-3/4"
	30-GS-14S-20		312-2920-230	Shaft/Gear Set 7/8 Tooth, BD-1135M-3-20, 2"
	30-GS-14S-25		312-2925-230	Shaft/Gear Set 7/8 Tooth, BD-1135M-3-25, 2-1/2"
	30-GS-14SS-07		231-2907-430	Shaft/Gear Set 7/8 Tooth Short, BD-1135M-4-07, 3/4"
	30-GS-14SS-10		312-2910-430	Shaft/Gear Set 7/8 Tooth Short, BD-1135M-4-10, 1"
	30-GS-14SS-12		312-2912-430	Shaft/Gear Set 7/8 Tooth Short, BD-1135M-4-12, 1-1/4"
	30-GS-14SS-15		312-2915-430	Shaft/Gear Set 7/8 Tooth Short, BD-1135M-4-15, 1-1/2"
	30-GS-14SS-17		312-2917-430	Shaft/Gear Set 7/8 Tooth Short, BD-1135M-4-17, 1-3/4"
	30-GS-14SS-20		312-29-20-430	Shaft/Gear Set 7/8 Tooth Short, BD-1135M-4-20, 2"
	30-GS-16K-05		312-2905-740	Shaft/Gear Set 7/8 Keyed, ED-1135M-3-05, 1/2"
	30-GS-16K-07		312-2907-740	Shaft/Gear Set 7/8 Keyed, ED-1135M-3-07, 3/4"
	30-GS-16K-10		312-2910-740	Shaft/Gear Set 7/8 Keyed, ED-1135M-3-10, 1"
	30-GS-16K-12		312-2912-740	Shaft/Gear Set 7/8 Keyed, ED-1135M-3-12, 1-1/4"

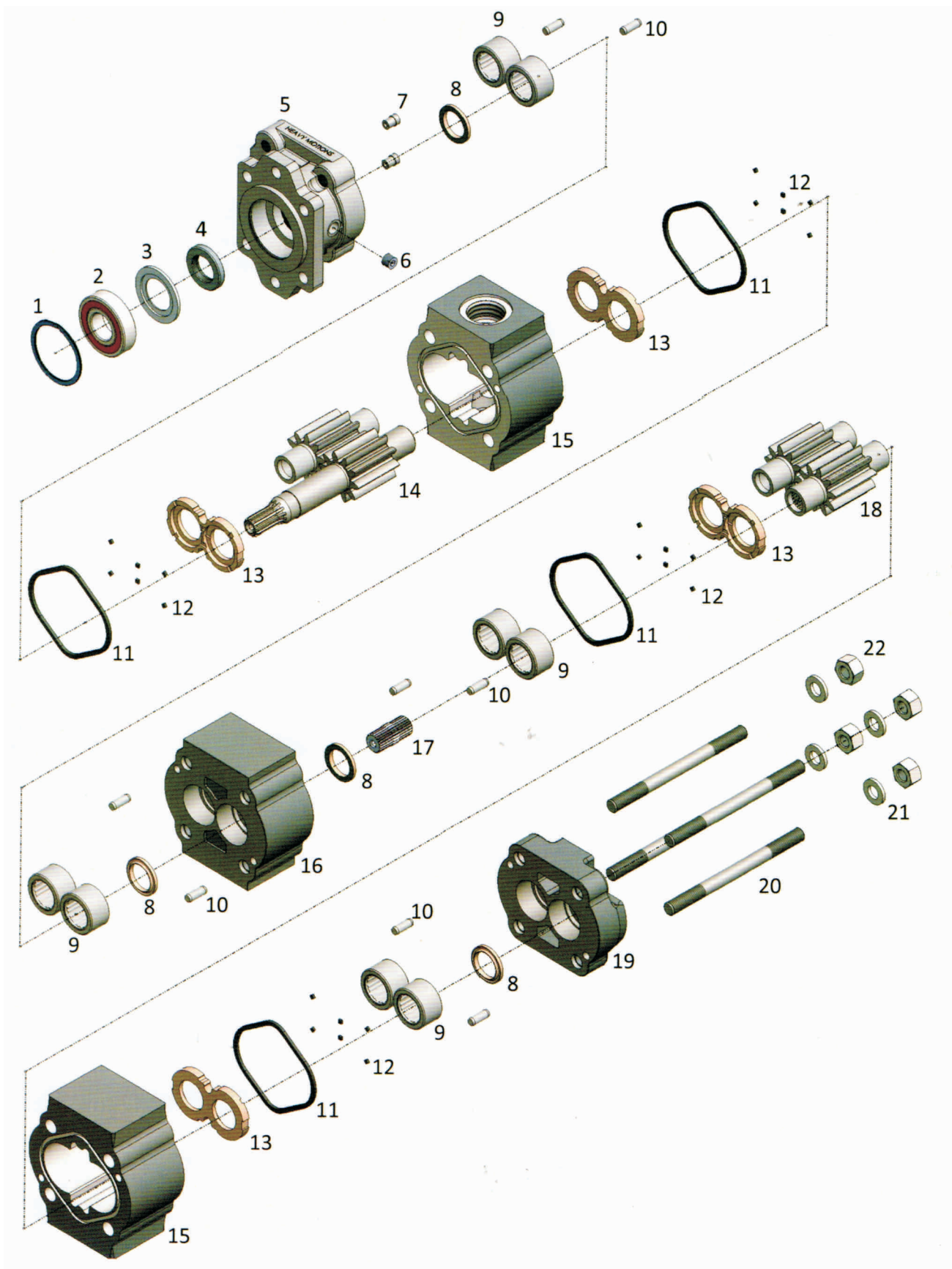
Item	Heavy Motions®	Req. *per stage	Parker®	Description
	30-GS-16K-15		312-2915-740	Shaft/Gear Set 1" Keyed, ED-1135M-3-15, 1-1/2"
	30-GS-16K-17		312-2917-740	Shaft/Gear Set 1" Keyed, ED-1135M-3-17, 1-3/4"
	30-GS-16K-20		312-2920-740	Shaft/Gear Set 1" Keyed, ED-1135M-3-20, 2"
	30-GS-16S-10		312-2910-240	Shaft/Gear Set 1"-15 Tooth, ED-1135M-3-10, 1"
	30-GS-16S-12		312-2912-240	Shaft/Gear Set 1"-15 Tooth, ED-1135M-3-10, 1-1/4"
	30-GS-16S-15		312-2915-240	Shaft/Gear Set 1"-15 Tooth, ED-1135M-3-10, 1-1/2"
	30-GS-16S-17		312-2917-240	Shaft/Gear Set 1"-15 Tooth, ED-1135M-3-10, 1-3/4"
	30-GS-16S-20		312-2920-240	Shaft/Gear Set 1"-15 Tooth, ED-1135M-3-10, 2"
15	21-H-05	1"	308-8205-100	21, 1/2" Gear Housing, RD-020-05D, Doweled, Blank
	21-H-07		308-8207-100	21, 3/4" Gear Housing, RD-020-07D, Doweled, Blank
	21-H-10		308-8210-100	21, 1" Gear Housing, RD-020-10D, Doweled, Blank
	21-H-12		308-8212-100	21, 1-1/4" Gear Housing, RD-020-12D, Doweled, Blank
	21-H-15		308-8215-100	21, 1-1/2" Gear Housing, RD-020-15D, Doweled, Blank
	21-H-17		308-8217-100	21, 1-3/4" Gear Housing, RD-020-17D, Doweled, Blank
	21-H-20		308-8220-100	21, 2" Gear Housing, RD-020-20D, Doweled, Blank
16	21M-BC	1"	308-7300-100	21, Bearing Carrier Blank Motor, VD-020D, Doweled
	21P-BC	or 1"	308-7363-100	21, Bearing Carrier w/ Common Suction Pump, Doweled
17	30-COMM	1"	312-1133-001	21/31, Connecting Shaft, ZA-1133, Tandem Only
18	30-G-05	1"	312-2805-000	Gear Set, V-1007M-05, 1/2", Tandem Only
	30-G-07		312-2807-000	Gear Set, V-1007M-07, 3/4", Tandem Only
	30-G-10		312-2810-000	Gear Set, V-1007M-10, 1", Tandem Only
	30-G-12		312-2812-000	Gear Set, V-1007M-12, 1-1/4", Tandem Only
	30-G-15		312-2815-000	Gear Set, V-1007M-15, 1-1/2", Tandem Only
	30-G-17		312-2817-000	Gear Set, V-1007M-17, 1-3/4", Tandem Only
	30-G-20		312-2820-000	Gear Set, V-1007M-20, 2", Tandem Only
	30-G-25		312-2825-000	Gear Set, V-1007M-25, 2-1/2", Tandem Only
19	21-PEC	1	308-3100-100	21, Port End Cover, XD-020D, Doweled
	21-PEC-FE		308-3100-316	21, Port End Cover, Doweled, 3/4" ORB X 3/4" ORB Rear Ported
	21-PEC-JE		308-3100-327	21, Port End Cover, Doweled, 1" ORB X 1" ORB Rear Ported
	21-PEC-ME		308-3100-116	21, Port End Cover, Doweled, 3/4" NPT X 3/4" NPT Rear Ported
	21-PEC-QU		308-3100-127	21, Port End Cover, Doweled, 1" NPT X 1" NPT Rear Ported
20	n/a	4	n/a	n/a
21	n/a	4	n/a	n/a

P31 Parts Break Down

Item	Heavy Motions®	Req. *per stage	Parker®	Description
1	HM391-2686-063	1	391-2686-063	Snap Ring (Spirolox)
2	30-SHFTBRG	1	391-0381-040	Shaft Bearing
3	HM391-3381-040	1	391-3391-040	Seal Retainer
4	HM391-2883-107	1	391-2883-107	Shaft Seal (Pump) Continental Shaft
	HM391-2883-058		391-2883-058	Shaft Seal (Pump) Integral Gear Set
	HM391-2883-126		391-2883-126	Shaft Seal (Motor) Continental Shaft
	HM391-2883-119		391-2883-119	Shaft Seal (Motor) Integral Gear Set
5	31M-SEC-2/4B	1	312-5057-401	31,2/4 Bolt "B" Shaft End Cover w Case Drain, GEB-1685-3, Doweled
	31M-SEC-2A		312-5027-404	31,2 Bolt "A" Shaft End Cover w Case Drain, WB-1685-3, Doweled
	31M-SEC-2B		312-5027-401	31,2 Bolt "B" Shaft End Cover w Case Drain, GB-1685-3, Doweled
	31M-SEC-4B		312-5037-401	31,4 Bolt "B" Shaft End Cover w Case Drain, EB-1685-3, Doweled
	31-SEC-4C		312-5037-402	31,4 Bolt "C" Shaft End Cover w Case Drain, PB-1685-3, Doweled
	31M-SEC-PAD		312-5017-401	31, Pad Mount Shaft End Cover w Case Drain, AC-1685-3, Doweled
	31-SEC-ROUND	1	312-5047-401	31,6 Bolt Round Shaft End Cover w Case Drain, FB-1685-3, Doweled
6	N/A	N/A	N/A	1/4-18 Pipe Plug
7	HM391-3681-001	2	391-3681-001	Check Valve
8	HM391-2585-006	2*	391-2585-006	Ring Seal
9	Wy1032	4*	391-0381-906	Roller Bearing
10	HM391-2082-032	4*	391-2082-032	Dowel Pin
11	HM391-2884-050	2*	391-2884-050	Body Gasket
12	HM391-2882-051	1*	391-2882-051	Thrust Plate Pocket Seal Strip
13	P31-THRUST	2*	391-2185-013	Thrust Plate
14	30-GS-14K-07	1	312-2907-730	Shaft/Gear Set 7/8 Keyed, DD-1135-3-07, 3/4"
	30-GS-14K-10		312-2910-730	Shaft/Gear Set 7/8 Keyed, DD-1135M-3-10, 1"
	30-GS-14K-12		312-2912-730	Shaft/Gear Set 7/8 Keyed, DD-1135M-3-12, 1-1/4"
	30-GS-14K-15		312-2915-730	Shaft/Gear Set 7/8 Keyed, DD-1135M-3-15, 1-1/2"
	30-GS-14K-17		312-2917-730	Shaft/Gear Set 7/8 Keyed, DD-1135M-3-17, 1-3/4"
	30-GS-14K-20		312-2920-730	Shaft/Gear Set 7/8 Keyed, DD-1135M-3-20, 2"
	30-GS-14KS-10		312-2910-930	Shaft/Gear Set 7/8 Keyed Short, 1"(Special), Code 66
	30-GS-14S-07		312-2907-230	Shaft/Gear Set 7/8-13 Tooth, BD-1135M-3-07, 3/4"
	30-GS-14S-10		312-2910-230	Shaft/Gear Set 7/8-13 Tooth, BD-1135M-3-10, 1"
	30-GS-14S-12		312-2912-230	Shaft/Gear Set 7/8-13 Tooth, BD-1135M-3-12, 1-1/4"
	30-GS-14S-15		312-2915-230	Shaft/Gear Set 7/8-13 Tooth, BD-1135M-3-15, 1-1/2"
	30-GS-14S-17		312-2917-230	Shaft/Gear Set 7/8-13 Tooth, BD-1135M-3-17, 1-3/4"
	30-GS-14S-20		312-2920-230	Shaft/Gear Set 7/8-13 Tooth, BD-1135M-3-20, 2"
	30-GS-14S-25		312-2925-230	Shaft/Gear Set 7/8-13 Tooth, BD-1135M-3-25, 2-1/2"
	30-GS-14SS-07		312-2907-430	Shaft/Gear Set 7/8-13 Tooth Short, BD-1135M-4-07, 3/4"
	30-GS-14SS-10		312-2910-430	Shaft/Gear Set 7/8-13 Tooth Short, BD-1135M-4-10, 1"
	30-GS-14SS-12		312-2912-430	Shaft/Gear Set 7/8-13 Tooth Short, BD-1135M-4-12, 1-1/4"
	30-GS-14SS-15		312-2915-430	Shaft/Gear Set 7/8-13 Tooth Short, BD-1135M-4-15, 1-1/2"
	30-GS-14SS-15		312-2915-430	Shaft/Gear Set 7/8-13 Tooth Short, BD-1135M-4-15, 1-1/2"
	30-GS-14SS-17		312-2917-430	Shaft/Gear Set 7/8-13 Tooth Short, BD-1135M-4-17, 1-3/4"

Item	Heavy Motions®	Req. *per stage	Parker®	Description
	30-GS-14SS-20		312-2920-430	Shaft/Gear Set 7/8-13 Tooth Short, BD-1135M-4-20, 2"
	30-GS-16K-05		312-2905-740	Shaft/Gear Set 1" Keyed, ED-1135M-3-05, 1/2"
	30-GS-16K-07		312-2907-740	Shaft/Gear Set 1" Keyed, ED-1135M-3-07, 3/4"
	30-GS-16K-10		312-2910-740	Shaft/Gear Set 1" Keyed, ED-1135M-3-10, 1"
	30-GS-16K-12		312-2912-740	Shaft/Gear Set 1" Keyed, ED-1135M-3-12, 1-1/4"
	30-GS-16K-15		312-2915-740	Shaft/Gear Set 1" Keyed, ED-1135M-3-15, 1-1/2"
	30-GS-16K-17		312-2917-740	Shaft/Gear Set 1" Keyed, ED-1135M-3-17, 1-3/4"
	30-GS-16K-20		312-2920-740	Shaft/Gear Set 1" Keyed, ED-1135M-3-20, 2"
14A	HM312-1000-200	1	312-1000-200	21/31 Continental Shaft, 5/8-9 Tooth, AI-1135
	HM312-1000-401		312-1000-401	21/31 Continental Shaft, 1"-15 Tooth, AU-1135
	HM312-1133-002		312-1133-002	30 to 30 Piggyback Connecting Shaft, AF1133
	HM312-1133-003		312-1133-003	30 to 50 Piggyback Connecting Shaft, AD1133
	HM312-1135-133		312-1135-133	21/31 Continental Shaft 1-1/4"-14 Tooth, AH-1135
	HM312-1135-133sh		312-1135-133	21-31 Continental Shaft 1-1/4"-14 Tooth, AH-1135
	HM12-1135-138		312-1135-138	21/31 Continental Shaft 7/8-13 Tooth, AJ-1135
	HM312-1135-152		312-1135-152	21/31 Continental Shaft 3/4" Keyed, AV-1135
	HM312-1135-192		312-1135-192	21/31 Continental Shaft 7/8" Keyed X-Long, AK-1135-XL
	HM312-1500-400		312-1500-400	21/31 Continental Shaft 1" Keyed, ED-1135
	HM312-1500-500		312-1500-500	21/31 Continental Shaft 1-1/4" Keyed, LS-1135
15	31-H-05	1*	312-8205-100	31, 1/2" Gear Housing, RA-1688-05, Doweled
	31-H-07		312-8207-100	31, 3/4" Gear Housing, RA-1688-07, Doweled
	31-H-10		312-8210-100	31, 1" Gear Housing, RA-1688-10, Doweled
	31-H-12		312-8212-100	31, 1-1/4" Gear Housing, RA-1688-12, Doweled
	31-H-15		312-8215-100	31, 1-1/2" Gear Housing, RA-1688-15, Doweled
	31-H-17		312-8217-100	31, 1-3/4" Gear Housing, RA-1688-17, Doweled
	31-H-20		312-8220-100	31, 2" Gear Housing, RA-1688-20, Doweled
	31-H-25		312-8225-100	31, 2-1/2" Gear Housing, RA-1688-25, Doweled
16	31M-BC	1	312-7740-100	Motor Bearing Carrier Blank, Doweled
	31P-BC	or 1	312-7723-100	Pump Bearing Carrier w/ Common Suction, Doweled
17	30-CONN	1*	312-1133-001	Shaft Connector
18	30-G-05	1*	312-2805-000	Gear Set, V-1007M-05, 1/2"
	30-G-07		312-2807-000	Gear Set, V-1007M-07, 3/4"
	30-G-10		312-2810-000	Gear Set, V-1007M-10, 1"
	30-G-12		312-2812-000	Gear Set, V-1007M-12, 1-1/4"
	30-G-15		312-2815-000	Gear Set, V-1007M-15, 1-1/2"
	30-G-17		312-2817-000	Gear Set, V-1007M-17, 1-3/4"
	30-G-20		312-2820-000	Gear Set, V-1007M-20, 2"
	30-G-25		312-2825	Gear Set, V-1007M-25, 2-1/2"
19	31-PEC	1	312-3120-100	31, Port End Cover, Doweled, XA-1603
	31-PEC-L		312-3420-100	31, Port End Cover, Large Ports XA-163 RP, Doweled
	31-31-PEC-PB		312-5027-212	31-31, Port End Cover Piggyback, DC-1685-24, Doweled
20	n/a	N/A	N/A	n/a
21	HM391-3784-028	4	391-3784-028	Washer 5/8
22	HM391-1451-076	4	391-1451-076	Nuts 5/8

P50/51 Exploded View



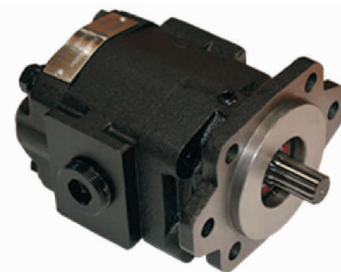
P50/51 Parts Break Down

Item	Heavy Motions®	Req. *per stage	Parker®	Description
1	HM391-2686-065	1	391-2686-065	Snap Ring (Spirolox)
2	50-SHFTBRG	1	391-0381-077	Shaft Bearing
3	HM391-3383-020	1	391-3383-020	Seal Retainer
4	HM391-2883-103	1	391-2883-103	Pump Shaft Seal
	HM391-2883-115		391-2883-115	Motor Shaft Seal
5	51M-SEC-2/4B	1	313-5057-401	51, 2/4 Bolt "B" Shaft End Cover w/ Case Drain, Doweled
	51M-SEC-2/4BS	1	313-5057-404	51, 2/4 Bolt "B" Short Shaft End Cover w/ Case Drain, Doweled
	51M-SEC-2B		313-5027-401	51, 2 Bolt "B" Shaft End Cover w/ Case Drain, RB-1685-3, Doweled
	51M-SEC-2C		313-5027-402	51, 2 Bolt "C" Shaft End Cover w/ Case Drain, NB-1685-3, Doweled
	51-M-SEC-4B		313-5037-401	51, 4 Bolt "B" Shaft End Cover w/ Case Drain, HB-1685-3, Doweled
	51-M-SEC-4C		313-5037-402	51, 4 Bolt "C" Shaft End Cover w/ Case Drain, KB-1685-3, Doweled
	51-M-SEC-PAD		313-5017-401	51, Pad Mount Shaft End Cover w Case Drain, MB-1685-3, Doweled
	51P-SEC-2CS		313-5027-206	51, 2 Bolt "C" Short Shaft End Cover, LB-1685-3, Doweled
	51-SEC-ROUND	1	313-5047-201	51, 6 Bolt Round Shaft End Cover, 2-5/8" Pilot, Doweled
6	n/a	n/a	n/a	1/4-18 Pipe Plug
7	HM391-3681-001	2	391-3681-001	Check Valve
8	HM391-2585-009	2*	391-2585-009	Ring Seal
9	WS1032	4*	391-0381-905	Roller Bearing
10	HM391-2082-032	4*	391-2082-032	Dowel Pin
11	HM391-2884-021	2*	391-2884-021	Body Gasket
12	HM391-2882-051	1*	391-2882-051	Thrust Plate Pocket Seal Strip
13	P51-THRUST	2*	391-2185-012	Thrust Plate
14	50-GS-14S-10	1	313-2910-230	Shaft/Gear Set 7/8-13 Tooth, VD-1135M-3-10, 1"
	50-GS-14S-12		313-2912-230	Shaft/Gear Set 7/8-13 Tooth, VD-1135M-3-12, 1-1/4"
	50-GS-14S-15		313-2915-230	Shaft/Gear Set 7/8-13 Tooth, VD-1135M-3-15, 1-1/2"
	50-GS-14S-17		313-2917-230	Shaft/Gear Set 7/8-13 Tooth, VD-1135M-3-17, 1-3/4"
	50-GS-14S-20		313-2920-230	Shaft/Gear Set 7/8-13 Tooth, VD-1135M-3-20, 2"
	50-GS-14S-22		313-2922-230	Shaft/Gear Set 7/8-13 Tooth, VD-1135M-3-22, 2-1/4"
	50-GS-14S-25		313-2925-230	Shaft/Gear Set 7/8-13 Tooth, VD-1135M-3-25, 2-1/2" (C102)
	50-GS-14SS-17		313-2917-430	Shaft/Gear Set 7/8-13 Tooth Short, VD-1135M-4-17, 1-3/4"
	50-GS-14SS-20		313-2920-430	Shaft/Gear Set 7/8-13 Tooth Short, VD-1135M-4-20, 2"
	50-GS-14SS-25		313-2925-430	Shaft/Gear Set 7/8-13 Tooth Short, VD-1135M-4-25m, 2-1/2"
	50-GS-16K-07		313-2907-740	Shaft/Gear Set, 1" Keyed, TD-1135M-3-07, 3/4"
	50-GS-16K-10		313-2910-740	Shaft/Gear Set, 1" Keyed, TD-1135M-3-10, 1"
	50-GS-16K-12		313-2912-740	Shaft/Gear Set, 1" Keyed, TD-1135M-3-12, 1-1/4"
	50-GS-16K-15		313-2915-740	Shaft/Gear Set, 1" Keyed, TD-1135M-3-15, 1-1/4"
	50-GS-16K-17		313-2917-740	Shaft/Gear Set, 1" Keyed, TD-1135M-3-17, 1-3/4"
	50-GS-16K-20		313-2920-740	Shaft/Gear Set, 1" Keyed, TD-1135M-3-20, 2"
	50-GS-16K-22		313-2922-740	Shaft/Gear Set, 1" Keyed, TD-1135M-3-22, 2-1/4"
	50-GS-16K-25		313-2925-740	Shaft/Gear Set, 1" Keyed, TD-1135M-3-25, 2-1/2"
	50-GS-16S-25		313-2925-240	Shaft/Gear Set, 1"-15 Tooth, (Special), 2-1/2"
	50-GS-20K-10		313-2910-750	Shaft/Gear Set, 1-1/4" Keyed, SD-1135M-3-10, 1"

Item	Heavy Motions®	Req. *per stage	Parker®	Description
	50-GS-20K-12		313-2912-750	Shaft/Gear Set 1-1/4" Keyed, SD-1135M-3-12, 1-1/4"
	50-GS-20K-15		313-2915-750	Shaft/Gear Set 1-1/4" Keyed, SD-1135M-3-15, 1-1/2"
	50-GS-20K-17		313-2917-750	Shaft/Gear Set 1-1/4" Keyed, SD-1135M-3-17, 1-3/4"
	50-GS-20K-20		313-2920-750	Shaft/Gear Set 1-1/4" Keyed, SD-1135M-3-20, 2"
	50-GS-20K-22		313-2922-750	Shaft/Gear Set 1-1/4" Keyed, SD-1135M-3-22, 2-1/4"
	50-GS-20K-25		313-2925-750	Shaft/Gear Set 1-1/4" Keyed, SD-1135M-3-25, 2-1/2"
	50-GS-20S-10		313-2910-250	Shaft/Gear Set 1-1/4"-14 Tooth, PD-1135M-3-10, 1"
	50-GS-20S-12		313-2912-250	Shaft/Gear Set 1-1/4"-14 Tooth, PD-1135M-3-12, 1-1/4"
	50-GS-20S-15		313-2915-250	Shaft/Gear Set 1-1/4"-14 Tooth, PD-1135M-3-15, 1-1/2"
	50-GS-20S-17		313-2917-250	Shaft/Gear Set 1-1/4"-14 Tooth, PD-1135M-3-17, 1-3/4"
	50-GS-20S-20		313-2920-250	Shaft/Gear Set 1-1/4"-14 Tooth, PD-1135M-3-20, 2"
	50-GS-20S-22		313-2922-250	Shaft/Gear Set 1-1/4"-14 Tooth, PD-1135M-3-22, 2-1/4"
	50-GS-20S-25		313-2925-250	Shaft/Gear Set 1-1/4"-14 Tooth, PD-1135M-3-25, 2-1/2"
	50-GS-20SS-12		313-2912-450	Shaft/Gear Set 1-1/4"-14 Tooth Short, PD-1135M-4-12, 1-1/4"
	50-GS-20SS-15		313-2915-450	Shaft/Gear Set 1-1/4"-14 Tooth Short, PD-1135M-4-15, 1-1/2"
	50-GS-20SS-17		313-2917-450	Shaft/Gear Set 1-1/4"-14 Tooth Short, PD-1135M-4-17, 1-3/4"
	50-GS-20SS-20		313-2920-450	Shaft/Gear Set 1-1/4"-14 Tooth Short, PD-1135M-4-20, 2"
	50-GS-20SS-22		313-2922-450	Shaft/Gear Set 1-1/4"-14 Tooth Short, PD-1135M-4-22, 2-1/4"
	50-GS-20SS-25		313-2925-450	Shaft/Gear Set 1-1/4"-14 Tooth Short, PD-1135M-4-25, 2-1/2"
15	51-H-05	1*	313-8205-100	25/51, 1/2" Gear Housing, MA-1688-05, Doweled
	51-H-07		313-8207-100	25/51, 3/4" Gear Housing, MA-1688-07, Doweled
	51-H-10		313-8210-100	25/51, 1" Gear Housing, MA-1688-10, Doweled
	51-H-12		313-8212-100	25/51, 1-1/4" Gear Housing, MA-1688-12, Doweled
	51-H-15		313-8215-100	25/51, 1-1/2" Gear Housing, MA-1688-15, Doweled
	51-H-17		313-8217-100	25/51, 1-3/4" Gear Housing, MA-1688-17, Doweled
	51-H-20		313-8220-100	25/51, 2" Gear Housing, MA-1688-20, Doweled
	51-H-22		313-8222-100	25/51, 2-1/4" Gear Housing, MA-1688-22, Doweled
	51-H-25		313-8225-100	25/51, 2-1/2" Gear Housing, MA-1688-25, Doweled
	51-H-30		313-8230-100	25/51, 3" Gear Housing, MA-1688-30, Doweled
16	51M-BC	or 1	313-7740-100	51 Moto, Bearing Carrier Blank, TA-1687, Doweled
	51P-BC	1	313-7723-100	51 Pump, Bearing Carrier w/Common Suction TA-1687-11, Doweled
17	50-CONN	1*	313-1133-001	Connecting Shaft
	HM313-1133-003		313-1133-003	50 to 75 Piggyback Connecting Shaft, AJ1133
	HM313-1133-004		313-1133-004	50 to 50 Piggyback Connecting Shaft, AG1133
	50-G-05	1	313-2805-000	Gear Set, MA-1006M-05, 1/2"
	50-G-07		313-2807-000	Gear Set, MA-1006M-07, 3/4"
	50-G-10		313-2810-000	Gear Set, MA-1006M-10, 1"
	50-G-12		313-2812-000	Gear Set, MA-1006M-12, 1-1/4"
	50-G-15		313-2815-000	Gear Set, MA-1006M-15, 1-1/2"
	50-G-17		313-2817-000	Gear Set, MA-1006M-17, 1-3/4"
	50-G-20		313-2820-000	Gear Set, MA-1006M-20, 2"
	50-H-22		313-2822-000	Gear Set, MA-1006M-22, 2-1/4"

Item	Heavy Motions®	Req. *per stage	Parker®	Description
	50-G-25		313-2825-000	Gear Set, MA-1006M-25, 2-1/2"
	50-G-30		313-2830-000	Gear Set, MA-1006M-30, 3"
	51-PEC	1	313-3120-100	51, Port End Cover, ZA-1603, Doweled
	51-PEC-L		313-3420-100	51, Port End Cover, wil accept ports up to 1-1/4", ZA-1603-RP Doweled
	51-PEC-L-1.25NPT		313-3420-132	51, Port End Cover, Doweled, 1-1/4" NPT X 1-1/4" NPT Rear Ported
	51-PEC-L-1.25ORB		313-3420-332	51, Port End Cover, Doweled, 1-1/4" ORB X 1-1/4" ORB Rear Ported
	n/a	n/a	n/a	n/a
	HM391-3784-028	4	391-3784-028	Washers 5/8
	HM391-1451-076	4	391-1451-076	Nuts 5/8

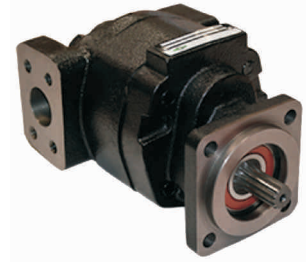
GEAR PUMPS



H21

Note: Box pumps below are bi-rotational

Heavy Motions® Part #	Commercial	Flange	Shaft	GPM@ 1000 RPM	Gear Size	Cu. In.	Max Pressure (psi)	Rear Ports	Side Parts
	Permco								
	Muncie								
H2B6B14SB21DI	P21A646JEAB07-25	2x4 B	7/8-13 Tooth	6.4	3/4"	1.48	3000	1" ORB	Blank
	P2100A290IDZA07-14								
	PK6-2BSBB								
H2B6B14SC20DI	P21A646QUAB10-25	2x4 B	7/8-13 Tooth	8.5	1"	1.97	3000	1" NPT	Blank
	P2100A290MDZA10-14								
	PK8-2BPBB								
H2B6B14SC21DI	P21A646JEAB10-25	2x4 B	7/8-13 Tooth	8.5	1"	1.97	3000	1" ORB	Blank
	P2100A290IDZA10-14								
	PK8-2BSBB								
H2B6B14SD20DI	P21A646QUYF12-25	2x4 B	7/8-13 Tooth	10.6	1-1/4"	2.46	3000	1" NPT	1" NPT
	P2100A290MDXE12-14								
	PK11-2BPBB								
H2B6B14SD21DI	P21A646JEAF12-25	2x4 B	7/8-13 Tooth	10.6	1-1/4"	2.46	3000	1" ORB	1" ORB
	P2100A290IDZE12-14								
	PK11-2BSBB								
H2B6B14SE12DI	P21A646QUYF15-25	2x4 B	7/8-13 Tooth	12.6	1-1/2"	2.95	3000	1" NPT	1" NPT
	P2100A290MDXE15-14								
	PK13-2BPBB								
H2B6B14SE21DI	P21A646JEAL15-25	2x4 B	7/8-13 Tooth	12.8	1-1/2"	2.95	3000	1" ORB	1" ORB
	P2100A290IDZE15-14								
	PK13-2BSBB								
H2B6B14SF20DI	P21A646QUYL17-25	2x4 B	7/8-13 Tooth	14.9	1-3/4"	3.44	3000	1" NPT	1-1/4" NPT
	P2100A290MDXK17-14								
	PK15-2BPBB								
H2B6B14SF21DI	P21A646JEAL17-25	2x4 B	7/8-13 Tooth	14.9	1-3/4"	3.44	3000	1" ORB	1-1/4" ORB
	P2100A290IDZK17-14								
	PK15-2BSBB								
H2B6B14SG20DI	P21A646QUYL20-25	2x4 B	7/8-13 Tooth	17	2"	3.94	3000	1" NPT	1-1/4" NPT
	P2100A290MDXK20-14								
	PK17-2BPBB								
H2B6B14SG21DI	P21A646JEAL20-25	2x4 B	7/8-13 Tooth	17	2"	3.94	3000	1" ORB	1-1/4" ORB
	P2100A290IDZK20-14								
	PK17-2BSBB								
H2B6B14SGG20DI	P21B64BYAL2025BAL20-1	2x4 B	7/8-13 Tooth	17/17	2"/2"	3.94/ 3.94	3000	Blank	1-1/4" ORB
	P2100B290AXZK20-14BZK20-0								
	N/A								



H35

Note: Box pumps below are counter clockwise

Heavy Motions® Part #	Commercial	Flange	Shaft	GPM@ 1000 RPM	Gear Size	Cu. In.	Max Pressure (psi)	Rear Ports	Side Parts
	Permco								
	Muncie								
H35L4B14SF21DI	P350A542KEAB17-25	4 B	7/8-13 Tooth	19.4	1-3/4"	4.46	3000	1"x 1-1/2" SF	Blank
	P350A431JDZA17-14								
	N/A								



H51

Note: Box pumps below are bi-rotational

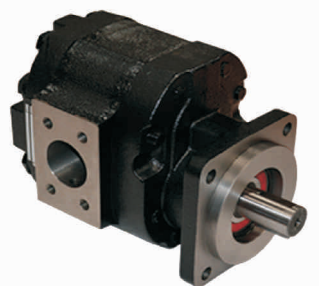
Heavy Motions® Part #	Commercial	Flange	Shaft	GPM@ 1000 RPM	Gear Size	Cu. In.	Max Pressure (psi)	Rear Ports	Side Parts
	Permco								
	Muncie								
H5B6B14SF20DILB	P51A646TEYL17-25	2x4 B	7/8-13 Tooth	19.4	1-3/4"	4.46	3000	1-1/4" NPT	1-1/4" NPT
	P5100AA735OFXK17-14								
	PL19-2BPBB								
H5B6B14SG20DILB	P51A64TEYL20-25	2x4 B	7/8-13 Tooth	22.2	2"	5.10	2500	1-1/4" NPT	1-1/4" NPT
	P5100A735OFXK20-14								
	PL23-2BPBB								
H5B6B14SH20DILB	P51A646TEYR22-25	2x4 B	7/8-13 Tooth	25	2-1/4"	5.73	2500	1-1/4" NPT	1-1/2" NPT
	P5100A735OFXQ22-14								
	PL25-2BPBB								
H5B6B14S110DILB	P51A646ONAB25-25	2x4 B	7/8-13 Tooth	27.8	2-1/2"	6.375	2500	1-1/4" ORB	Blank
	P5100A735NMZA25-14								
	PL27-2BS*B								
H5B6B14S120DILB	P51A64TEYR25-25	2x4 B	7/8-13 Tooth	27.8	2-1/2"	6.375	2500	1-1/4" NPT	1-1/2" NPT
	P5100A735OFXQ25-14								
	PL27-2BPBB								
H5B2B14SI22DI	P51A697BEYL25-25	2 B	7/8-13 Tooth	27.8	2-1/2"	6.375	2500	Blank	1-1/4" NPT
	P5100A586ADXK25-14								
	N/A								
H5B4B14SI22DI	P51A642BEYL25-25	4 B	7/8-13 Tooth	27.8	2-1/2"	6.375	2500	Blank	1-1/4" NPT
	P5100A531ADXK25-14								
	N/A								
H5B4B20KI23DILB	P51A642TEYL25-11	4 B	1-1/4" Keyed	27.8	2-1/2"	6.375	2500	1-1/4" NPT	1-1/4" NPT
	P5100A531OFX25-00								
	N/A								
H5L4B14SI20DIRV (with relief)	P51A6421RYSR25-25	4 B	7/8-13 Tooth	27.8	2-1/2"	6.375	2500	1" NPT	1-1/2" NPT
	N/A								
	N/A								



H55

Note: Box pumps below are bi-rotational

Heavy Motions® Part #	Commercial	Flange	Shaft	GPM@ 1000 RPM	Gear Size	Cu. In.	Max Pressure (psi)	Rear Ports	Side Parts
	Permco								
	Muncie								
H55B4B14SI26DI	P5151A642ONAB25-25	4 B	7/8-13 Tooth	27.8	2-1/2"	6.375	3000	1-1/4" ORB	Blank
	P5151A531NMZA25-14								
	PL27-2BS*B								
H55B4B16SI27DI	P5151A642BTAB25-98	4 B	1"-15 Tooth	27.8	2-1/2"	6.375	2500	1-1/2" NPT	Blank
	P5151A531AAZA25-87								
	N/A								
H55B6B14SI25DI	P5151A646BTYR25-25	2x4 B	7/8-13 Tooth	27.8	2-1/2"	6.375	2500	1-1/2" NPT	1-1/2" NPT
	P5151A535AAXQ25-14								
	PL27-2BPBB								
H55B6B14SI30DI	P5151A646BTAB25-25	2x4 B	7/8-13 Tooth	27.8	2-1/2"	6.375	2500	1-1/2" NPT	Blank
	P5151A535AAZA25-14								
	N/A								
H55B6B14SI31DI	P5151A646TEAB25-25	2x4 B	7/8-13 Tooth	27.8	2-1/2"	6.375	2500	1-1/4" NPT	Blank
	P5151A535OFZA25-14								
	N/A								

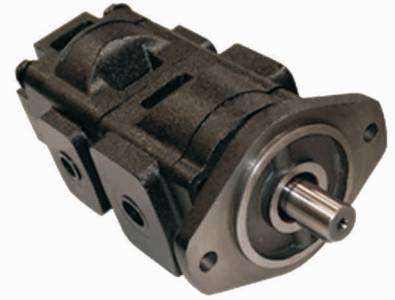


H7

Note: Box pumps below are counter clockwise

Note: Unit is without dry valve

Heavy Motions® Part #	Commercial	Flange	Shaft	GPM@ 1000 RPM	Gear Size	Cu. In.	Max Pressure (psi)	Rear Ports	Side Parts
	Permco								
	Muncie								
H7L4C20KH20DIDV	P76A578DEON22-11DV	4 C	1-1/4" Keyed	39.4	2-1/4"	9.22	2500	#12 ORB	1-1/4"x2" SF
	P7600A467CDNM22-00DV								
	N/A								

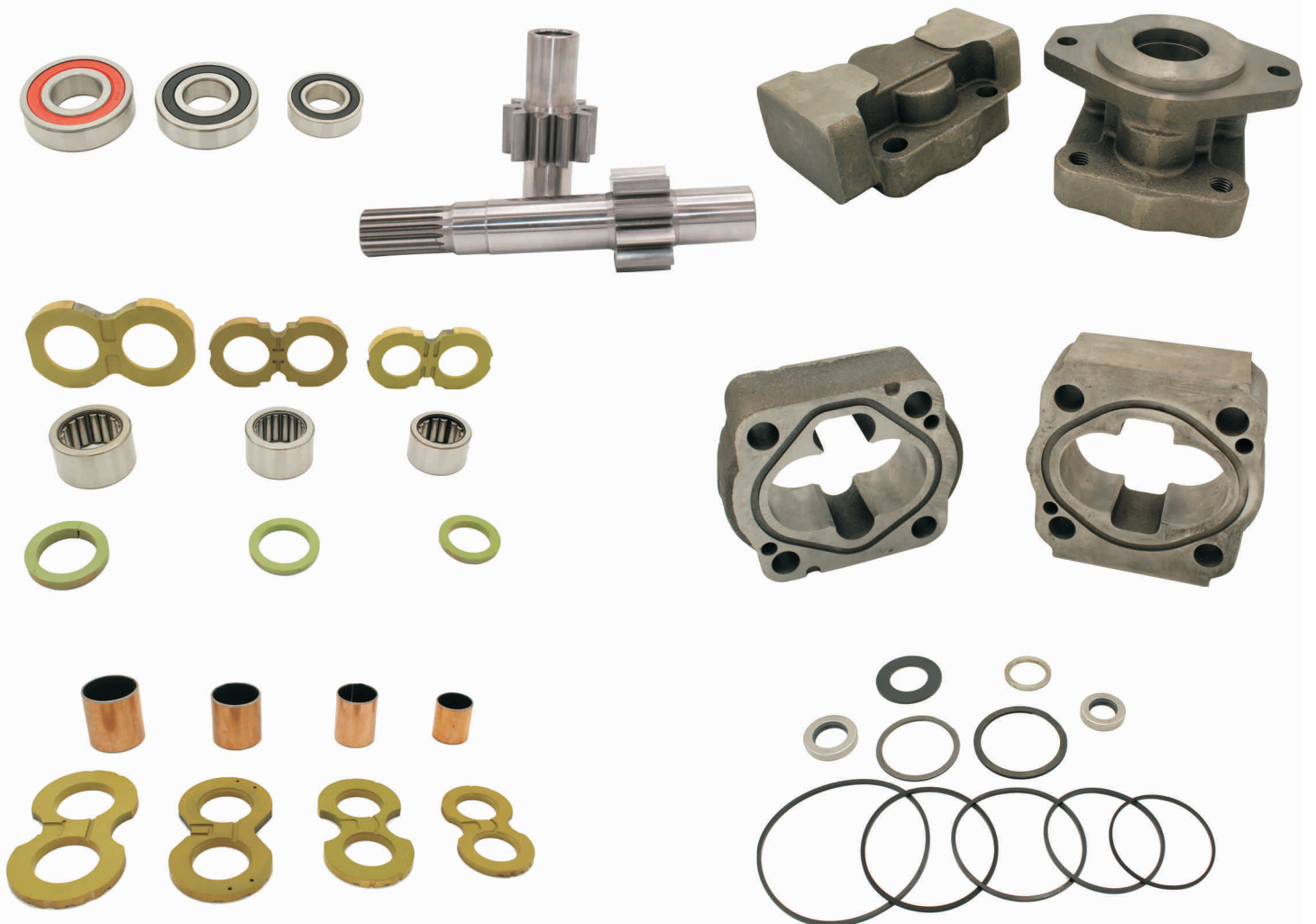


H62

Heavy Motions® Part #	Commercial	Flange	Shaft	Cu. Cm.	Max Pressure (psi)
H62B330/230-20	PG620B0330AM3H3N-N6D5C6200230AB1D4	2 B	1" Keyed	330 / 230	3600 / 4000
H62B360/290-20	PG620B0330CE1H3N-N6D5C6200290AB1D4	2 B	1"-15 Tooth	360 / 290	3600 / 4000

Parts are available for the followin series:

15, 21, 25, 31, 37, 51, 76, 315, 330, 350, and 365

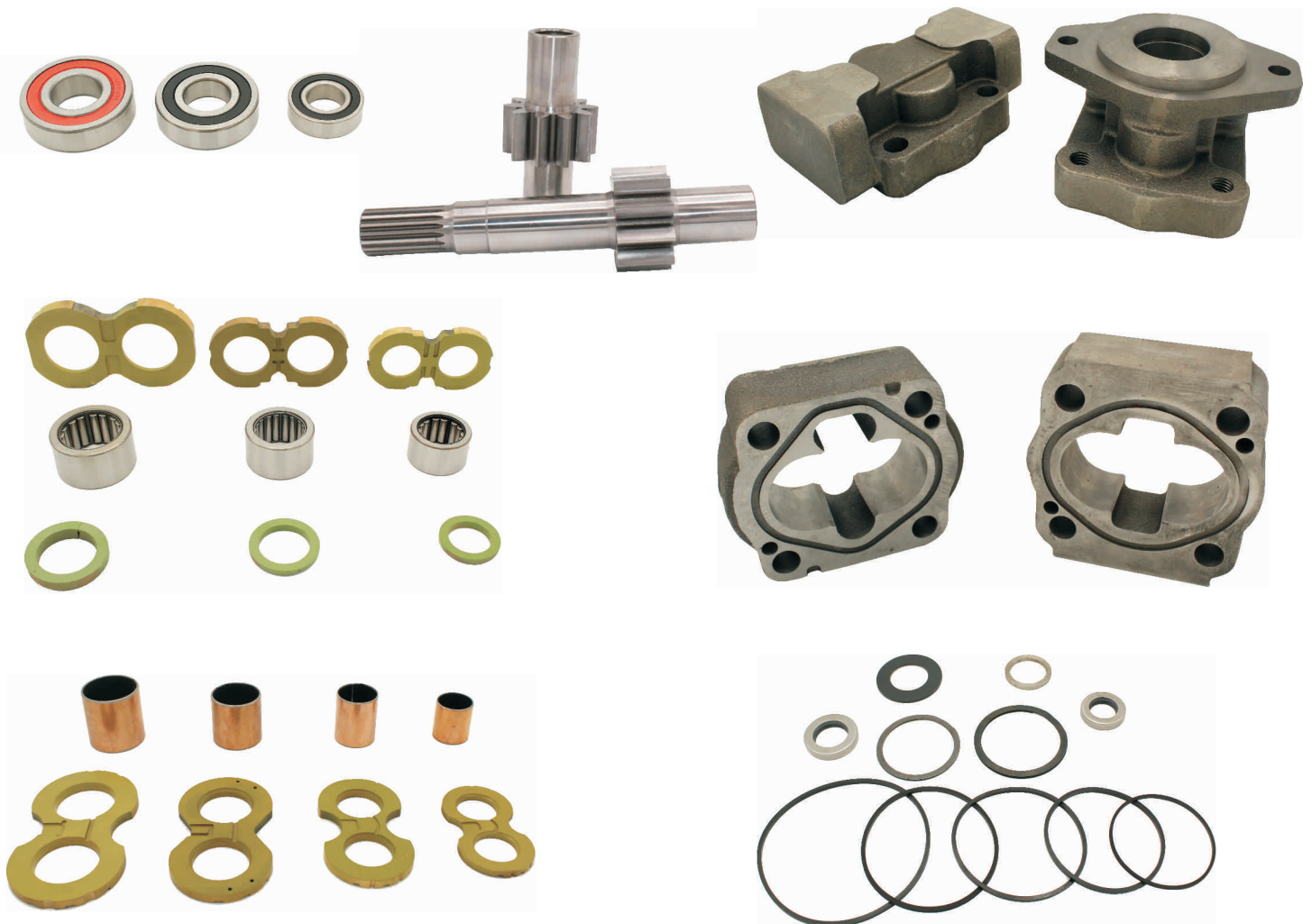




H62

Heavy Motions® Part #	Commercial	Flange	Shaft	Cu. Cm.	Max Pressure (psi)
H62B330/230-20	PG620B0330AM3H3N-N6D5C6200230AB1D4	2 B	1" Keyed	330 / 230	3600 / 4000
H62B360/290-20	PG620B0330CE1H3N-N6D5C6200290AB1D4	2 B	1"-15 Tooth	360 / 290	3600 / 4000

Parts are available for the followin series:
15, 21, 25, 31, 37, 51, 76, 315, 330, 350, and 365



Warranty Policy

Heavy Motions pump is warranted against any defect in material and workmanship which existed at the time of sale by Heavy Motions, according to the following provisions, subject to the requirements that the pump must be used only in accordance with catalog and package instructions.

Heavy Motions pump is warranted for a period of one year from the date of installation, if during the warranty period the pump fails to operate to Heavy Motions' specifications due to a defect in any part in material or workmanship that existed at the time of sale by Heavy Motions, the defect part will be repaired or replaced, at Heavy Motions election, at no charge, if the defective part is returned to Heavy Motions with the transportation prepaid.

WARNING: The above warranty shall terminate if any alterations or repairs are made to the pump other than at Heavy Motions, or if the pump is used on any equipment other than the equipment upon which it is first installed.

The foregoing warranties are in lieu of all other obligations and liabilities, including negligence and all warranties of merchantability and suitability, expressed or implied, and state Heavy Motions' entire and exclusive liability and buyer's exclusive remedy for any claim of damages in connection with the sale, repair or replacement of the above goods, their design, installation or operation. Heavy Motions will in no event be liable for any direct, indirect, special, incidental or consequential damages whatsoever, and our liability under no circumstances will exceed the contract price for the goods for which liability is claimed.

Heavy Motions is not liable for any repair related cost incurred to the buyer at any time if the repair is conducted by the buyer without written authorization from Heavy Motions.

Warranty Procedure

- Step 1.** Check your installation date and see if your pump is still within the warranty period.
- Step 2.** Call your sales representative at Heavy Motions to report the issue, get the written authorization as well as the address to ship the pump back.
- Step 3.** Ship the problem pump to the address you get from your sales representative at Heavy Motions, freight prepaid by the buyer.
- Step 4.** Once the problem pump has been received, Heavy Motions will conduct a detailed analysis of the problem pump and provide the buyer with a report, if the problem is caused by Heavy Motions' material or workmanship, Heavy Motions will either send a new pump or issue a credit memo to the buyer at the choice of the buyer. The freight prepaid by the buyer will also be reimbursed by Heavy Motions to the buyer.

However, if report shows the problem is not caused by Heavy Motions' material or workmanship, Heavy Motions will not be liable for the problem and the related cost.



HM HIDRÁULICA S.A. DE C.V.

www.hmhidraulica.com

**Juan Antonio # 53,
Col. Las Pintas de Abajo C.P. 45619
Tlaquepaque, Jalisco, México**



Google Maps

**De Lunes a Viernes
de 9:00 A.M. a 2:00 P.M.
y de 3:00 a 6:00 P.M.**

Sábado de 9:00 A.M. a 1:00 P.M.

☎ 33 3606 3314 y 33 1657 7138

ventas@hmhidraulica.com

**Magnolia # 2844,
Jardines de la Moderna C.P. 64530
Monterrey, Nuevo León, México**



Google Maps

**De Lunes a Viernes
de 9:00 A.M. a 2:00 P.M.
y de 3:00 a 6:00 P.M.**

Sábado de 9:00 A.M. a 1:00 P.M.

☎ 81 1104 3209

ventas@hmhidraulica.com