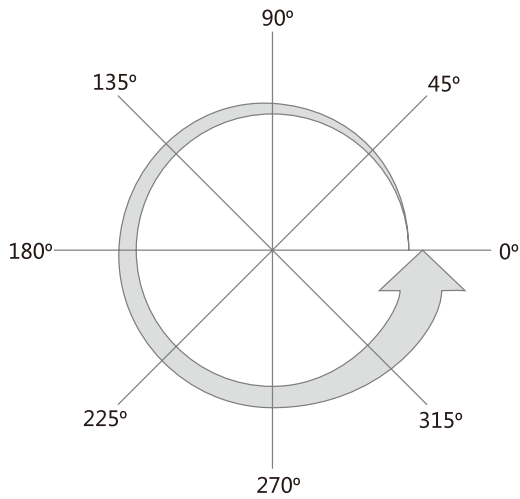


AFAB MACHINERY AND TOOLS LTD

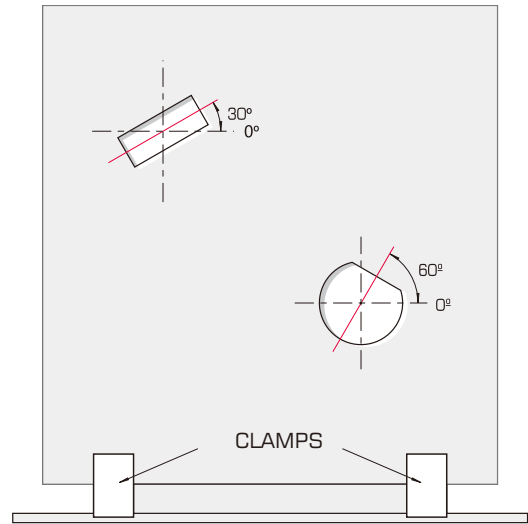
SALVAGNINI STYLE TOOLING

THICK TURRET
TRUMPF TYPE
MURATA TYPE
SALVAGNINI
THIN TURRET





SHAPE ANGLE DIRECTION



SHAPE POSITION AT SHEET METAL FROM TOP OF MACHINE

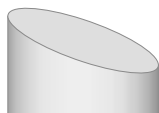
SHAPE ANGLE AT 0°



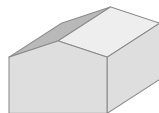
SHAPE ANGLE AT 90°



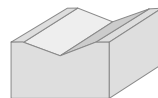
PUNCH TIP TYPE



Whisper



Rooftop



Inverted Rooftop



4 way concave



2 way concave

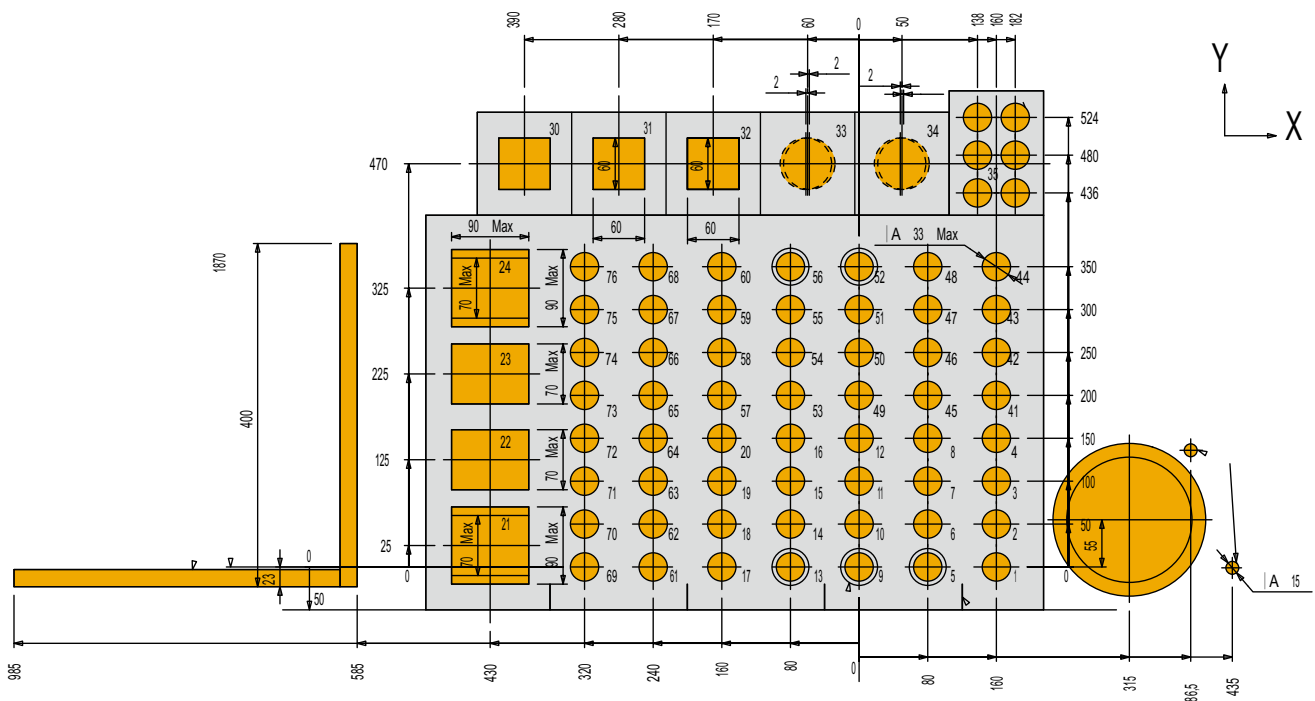


Cup concave

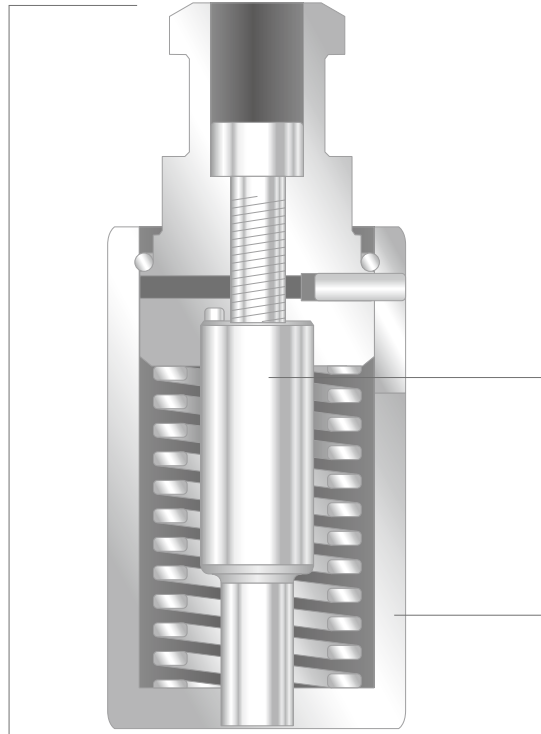
TECHNICAL INFORMATION

POSITION	TYPE	STATION	MAX SIZE	REMARK
1-20,41-76 7 tons	P0	33mm	10mm	Fully Guided
	P3	33mm	26mm	90° Rotation
30-35 12tons	P5	60mm	42.5mm	Continous Ro.
	S6	60mm	60mm	180° Rotation
1-20,41-76 7 tons	P9	33mm	26.5mm	Fully Guided
	S4	33mm	33mm	90° Rotation
21-24 26tons	S8	70x90	70x90mm	Type70

H3 HEAD LAYOUT



Punch Ass'y
 Round: SPO-PARO
 Shape: SPO-PA**



Punch Body
 Round: SPO-PBRO
 Shape: SPO-PB**

Blank Holder
 Round: SPO-GURO
 Shape: SPO-GU**



Die
 Round: SPO-DIRO
 Shape: SPO-DI**

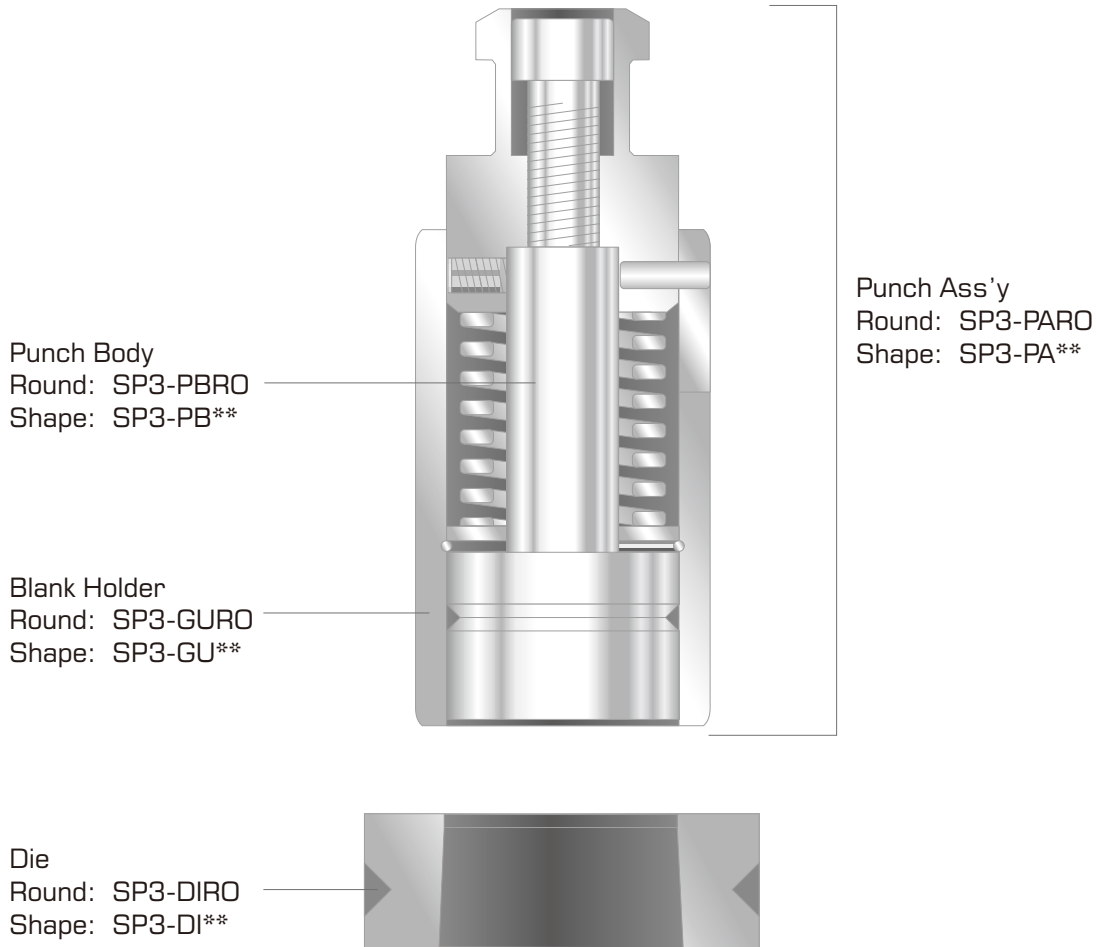
H3 HEAD

	30	31	32	33	34	35	
24 90 x 90	76	68	60	56	52	48	44
	75	67	59	55	51	47	43
23 70 x 90	74	66	58	54	50	46	42
	73	65	57	53	49	45	41
22 70 x 90	72	64	20	16	12	8	4
	71	63	19	15	11	7	3
21 90 x 90	70	62	18	14	10	6	2
	69	61	17	13	9	5	1

HEAD POSITIONS

1-20, 41-76 7 TON

- *Max size: 10mm, Max tonnage: 70KN
- *Material thickness to punch: 0.5mm--3.5mm
- *Punch Length: 42mm, Die Length: 15mm
- *Punch Grinding life: 1.5mm, Die Grinding life: 1.2mm


H3 HEAD

	30	31	32	33	34	35
24 90 x 90	76	68	60	56	52	48
23 70 x 90	75	67	59	55	51	47
22 70 x 90	74	66	58	54	50	46
21 90 x 90	73	65	57	53	49	45
	72	64	20	16	12	8
	71	63	19	15	11	7
	70	62	18	14	10	6
	69	61	17	13	9	5

HEAD POSITIONS

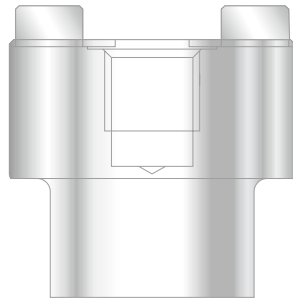
1-20, 41-76 7 TON

*Max size:26mm, Max tonnage: 70KN

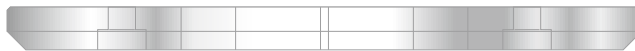
*Material thickness to punch: 0.5mm--3mm

*Punch Length: 52.7mm, Die Length: 15mm

*Punch Grinding life: 1.5mm, Die Grinding life: 1.2mm



Punch Body
Round: SP5-PBRO
Shape: SP5-PB**



Stripper
Round: SP5-GURO
Shape: SP5-GU**



Die
Round: SP5-DIRO
Shape: SP5-DI**

H3 HEAD

	30	31	32	33	34	35
24 90 x 90	76	68	60	56	52	48
	75	67	59	55	51	47
23 70 x 90	74	66	58	54	50	46
	73	65	57	53	49	45
22 70 x 90	72	64	20	16	12	8
	71	63	19	15	11	7
21 90 x 90	70	62	18	14	10	6
	69	61	17	13	9	5

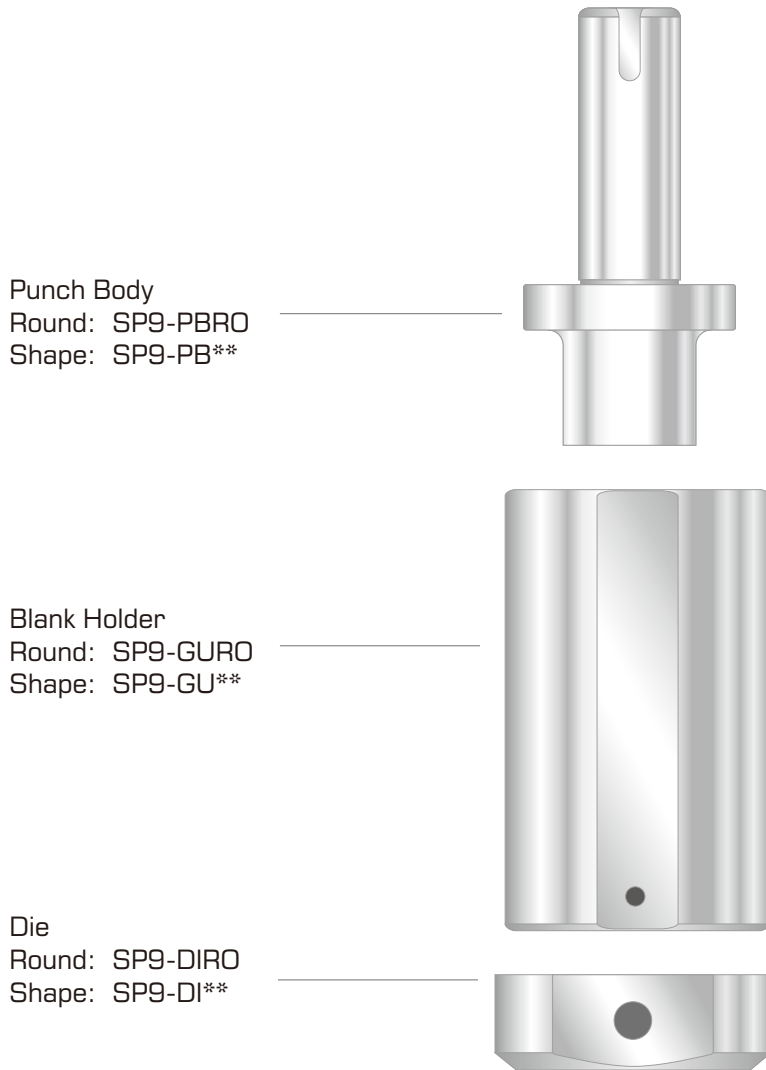
HEAD POSITIONS
30-35 12 TON

*Max size:42.4mm, Max tonnage: 12KN

*Material thickness to punch: 0.5--3mm

*Punch Length: 43mm, Die Length: 18mm

*Punch Grinding life: 1.5mm, Die Grinding life:1.2mm


H3 HEAD

	30	31	32	33	34	35
24 90 x 90	76	68	60	56	52	48
	75	67	59	55	51	47
23 70 x 90	74	66	58	54	50	46
	73	65	57	53	49	45
22 70 x 90	72	64	20	16	12	8
	71	63	19	15	11	7
21 90 x 90	70	62	18	14	10	6
	69	61	17	13	9	5

HEAD POSITIONS

1-20, 41-76 7 TON

*Max size:26.5mm, Max tonnage: 70KN

*Material thickness to punch: 0.5--3mm

*Punch Length: 52.7mm, Die Length:15mm

*Punch Grinding life: 1.5mm, Die Grinding life:1.2mm



Punch Body
 Round: SS4-PBRO
 Shape: SS4-PB**



Stripper
 Round: SS4-GURO
 Shape: SS4-GU**



Die
 Round: SS4-DIRO
 Shape: SS4-DI**

H3 HEAD

	30	31	32	33	34	35	
24 90 x 90	76	68	60	56	52	48	44
	75	67	59	55	51	47	43
23 70 x 90	74	66	58	54	50	46	42
	73	65	57	53	49	45	41
22 70 x 90	72	64	20	16	12	8	4
	71	63	19	15	11	7	3
21 90 x 90	70	62	18	14	10	6	2
	69	61	17	13	9	5	1

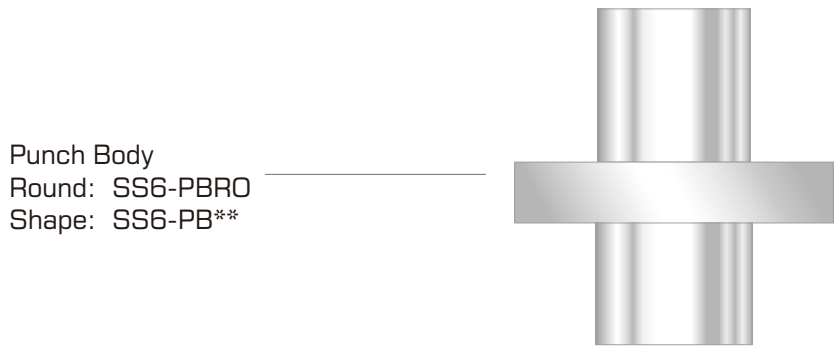
HEAD POSITIONS
 1-20,41-76, 7 TON

*Max size:33mm, Max tonnage: 70KN

*Material thickness to punch: 0.5--3.5mm

*Punch Length: 81.5mm, Die Length: 15mm

*Punch Grinding life: 2mm, Die Grinding life: 1.2mm



Punch Body
 Round: SS6-PBRO
 Shape: SS6-PB**



Blank Holder
 Round: SS6-GURO
 Shape: SS6-GU**



Die
 Round: SS6-DIRO
 Shape: SS6-DI**

H3 HEAD

	30	31	32	33	34	35	
24 90 x 90	76	68	60	56	52	48	44
23 70 x 90	75	67	59	55	51	47	43
22 70 x 90	74	66	58	54	50	46	42
21 90 x 90	73	65	57	53	49	45	41
	72	64	20	16	12	8	4
	71	63	19	15	11	7	3
	70	62	18	14	10	6	2
	69	61	17	13	9	5	1

HEAD POSITIONS

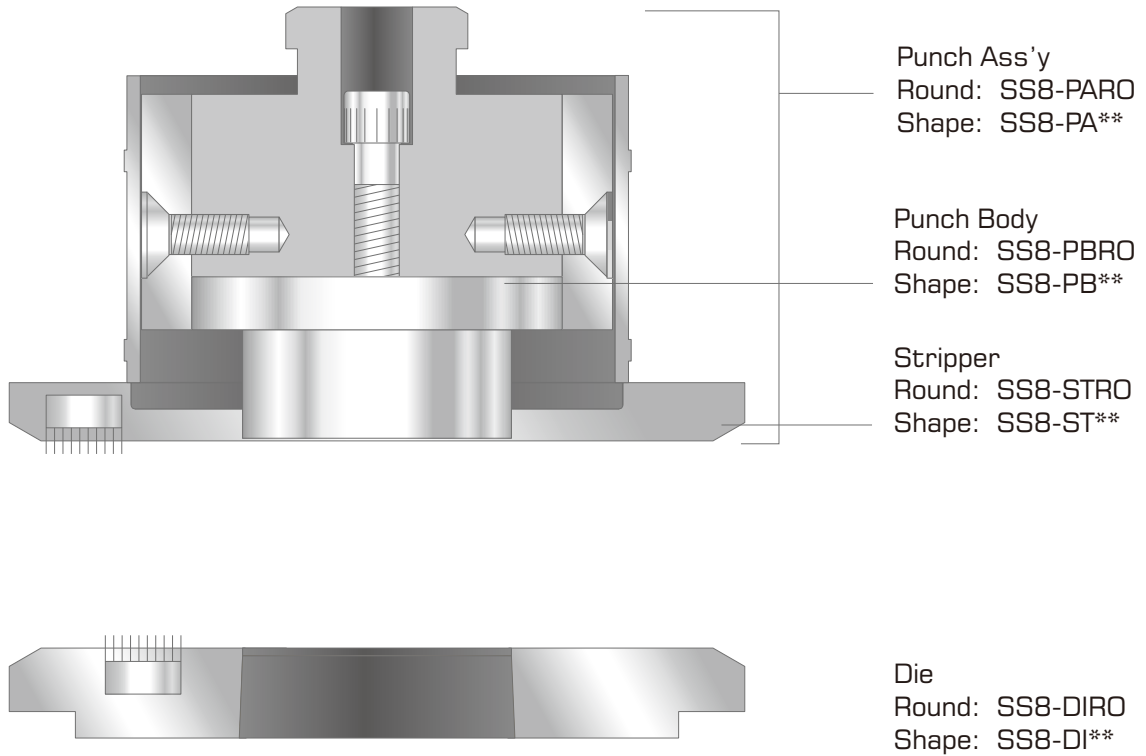
30-35 12 TON

*Max size:60mm, Max tonnage: 120KN

*Material thickness to punch: 0.5--3.5mm

*Punch Length: 44mm, Die Length: 15mm

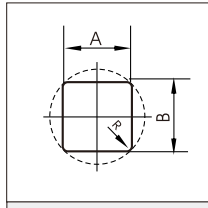
*Punch Grinding life: 2mm, Die Grinding life: 1.2mm


70 Type

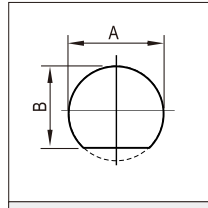
	30	31	32	33	34	35	
24 70 x 90	76	68	60	56	52	48	44
	75	67	59	55	51	47	43
23 70 x 90	74	66	58	54	50	46	42
	73	65	57	53	49	45	41
22 70 x 90	72	64	20	16	12	8	4
	71	63	19	15	11	7	3
21 70 x 90	70	62	18	14	10	6	2
	69	61	17	13	9	5	1

HEAD POSITIONS
 21-24, 26 TON

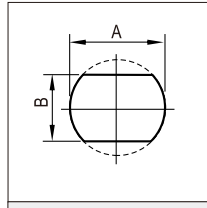
- *Max size: 70X90mm, Max tonnage: 260KN
- *Material thickness to punch: 0.5--3.5mm
- *Punch Length: 30mm, Die Length: 17mm
- *Punch Grinding life: 2mm, Die Grinding life: 1.2mm



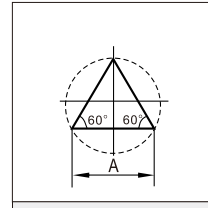
Code: QR
Name: Quad R



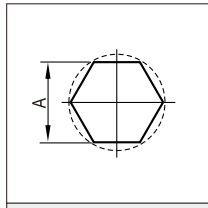
Code: SD
Name: Single D



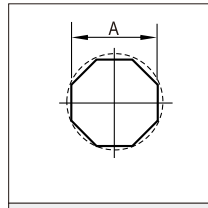
Code: DD
Name: Double D



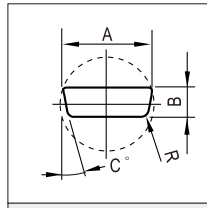
Code: ET
Name: Equi.triangle



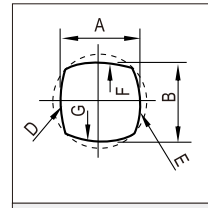
Code: HX
Name: Hexagon



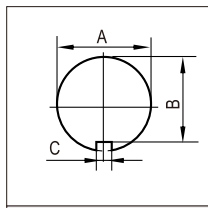
Code: OT
Name: Octagon



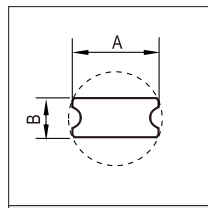
Code: A4
Name: Cable connector



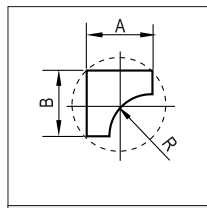
Code: B2
Name: Quad-R



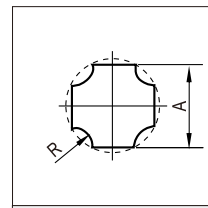
Code: C0
Name: Keyway



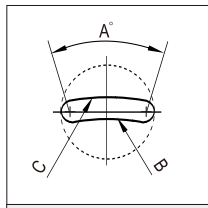
Code: C7
Name: Micro-joint



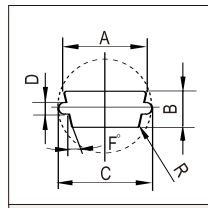
Code: D1
Name: One way radius



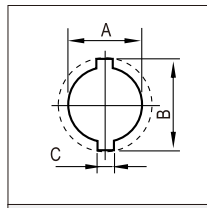
Code: D2
Name: Four way radius



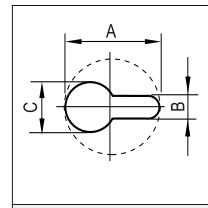
Code: E2
Name: Banana



Code: E4
Name: Connector



Code: E7
Name: Keyhole



Code: F3
Name: Keyhole

PUNCH DIE GRINDER

Punch die grinder specification.



Grinding accuracy: $\pm 0.005\text{mm}$	Tool setting mode: Automatic
Grinding mode: Automatic	Grinding type: Rough, Precision, Polishing
Wheel: Boronizing wheel	Grinding area: 150mm
3-jaw chuck fixture Dia. 1-180mm	Max. feed speed: 900mm/min (adjustable)
PLC controller: Mitsubishi	Screen: Touch screen Interface
Spindle motor: 2.2KW, 3600R/PM	Motor for rotating table: 0.375KW, 1800R/PM
Motor for cooling : 0.125KW, 1800R/PM	Electrical: AC380/400V (50/60 HZ)
Size: 600x700x1650mm	Weight: 600KG

AFAB MACHINERY AND TOOLS LTD.
Email:sales@afabtool.com
Website:www.afabtool.com