

AFAB MACHINERY AND TOOLS LTD

THIN TURRET TOOLING

THICK TURRET
TRUMPF TYPE
MURATA TYPE
SALVAGNINI
THIN TURRET

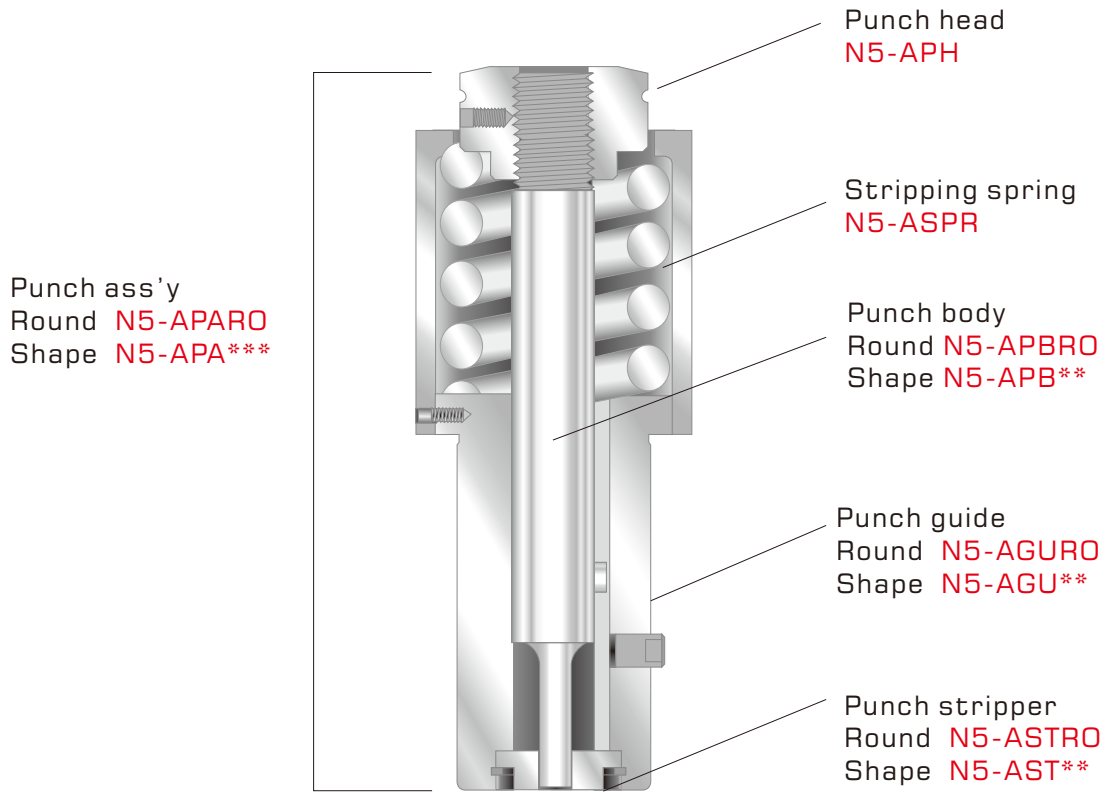




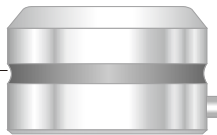
THIN TURRET TOOLING

Drop In Type 5/8" Station (max.Diameter/diagonal 15.8mm)

DROP IN



DIE
Round **N8-BDIRO**
Shape **N8-BDI****



STANDARD SHAPES



RE-rectangle



OB-Oround



SQ-square



SD-single-D



DD-double-D



QD-quad-D



HX-hexagon



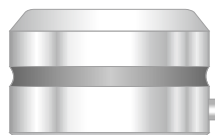
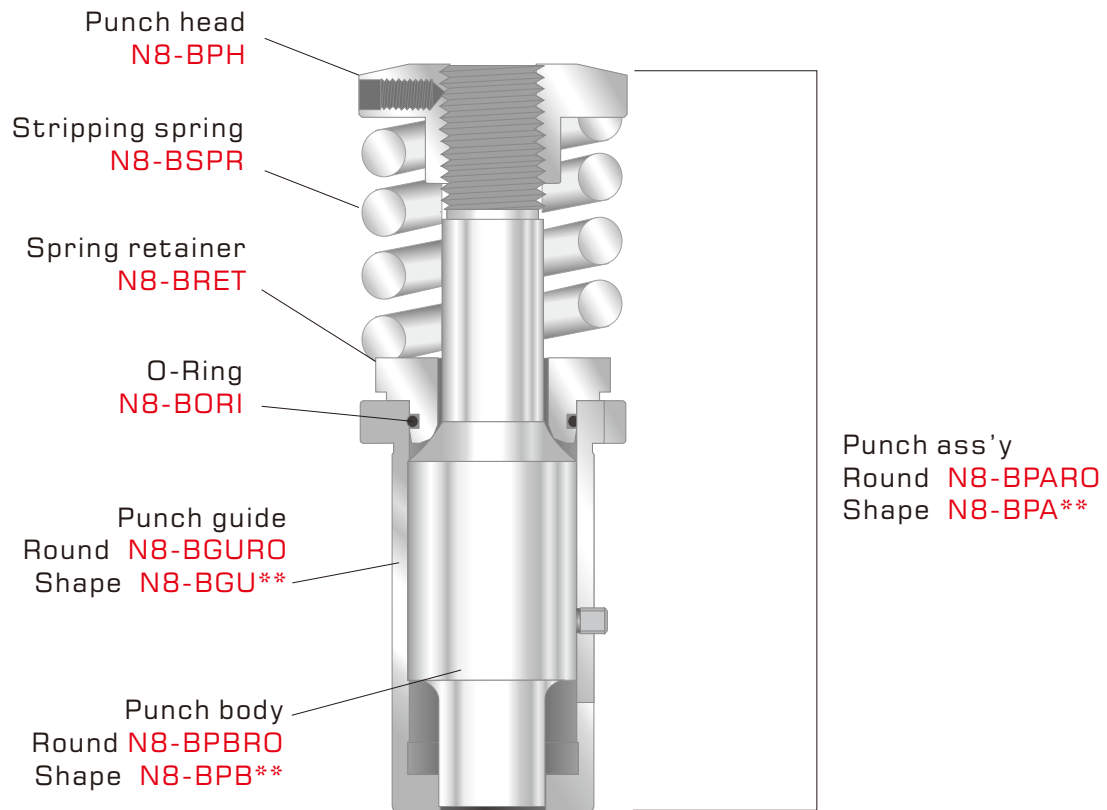
OT-octagon



DM-diamond



ET-triangle



DIE
 Round N8-BDIRO
 Shape N8-BDI**

STANDARD SHAPES



RE-rectangle



OB-Oround



SQ-square



SD-single-D



DD-double-D



QD-quad-D



HX-hexagon



OT-octagon



DM-diamond



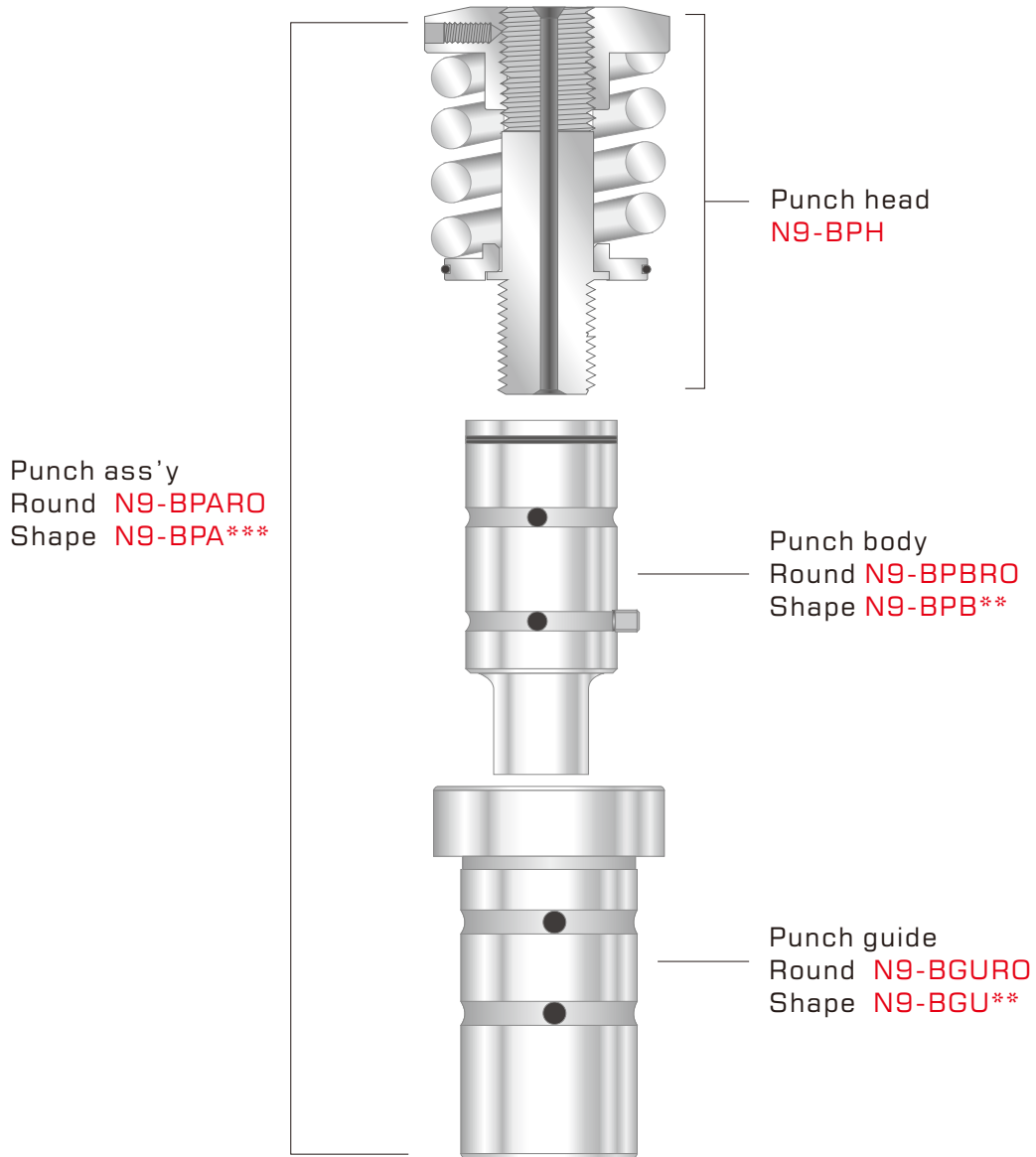
ET-triangle



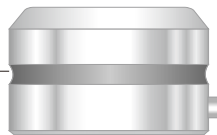
THIN TURRET TOOLING

S90 Type 1-1/4" Station (max.Diameter/diagonal 31.7mm)

S90 B STN



DIE
Round **N8-BDIRO**
Shape **N8-BDI****



STANDARD SHAPES



RE-rectangle



OB-Oround



SQ-square



SD-single-D



DD-double-D



QD-quad-D



HX-hexagon



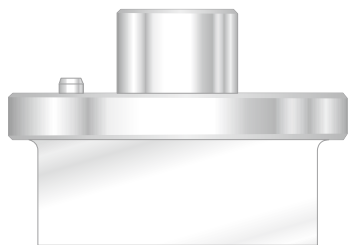
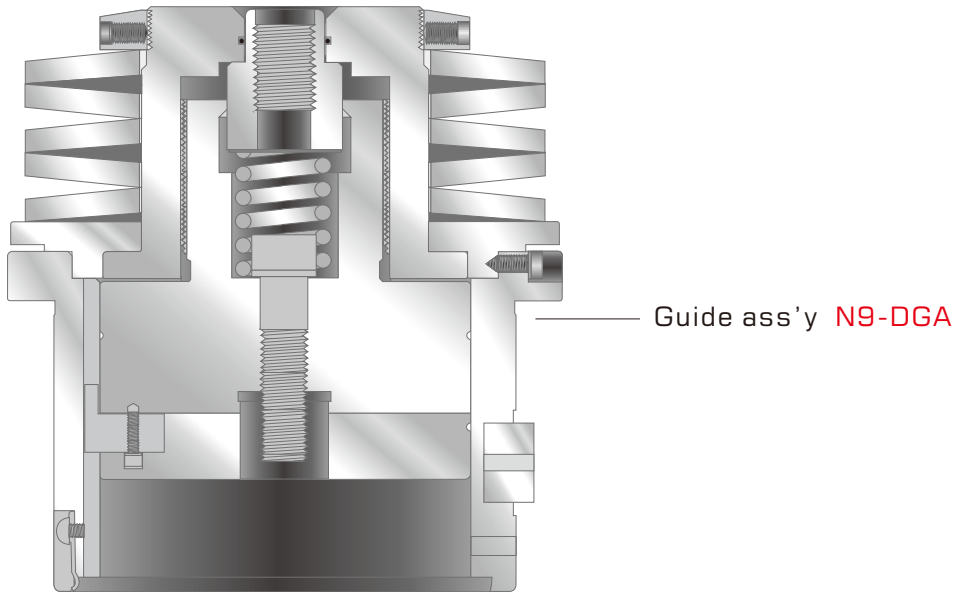
OT-octagon



DM-diamond



ET-triangle



Punch body < 50.8mm
Round **N9-DPB1RO**
Shape **N9-DPB1****



Punch body < 88.9mm
Round **N9-DPB1RO**
Shape **N9-DPB1****

Stripper
Round **N9-DSTRO**
Shape **N9-DST****



Die
Round **N8-DDIRO**
Shape **N8-DDI****

STANDARD SHAPES



RE-rectangle



OB-obround



SQ-square



SD-single-D



DD-double-D



QD-quad-D



HX-hexagon



OT-octagon



DM-diamond



ET-triangle

AFAB MACHINERY AND TOOLS LTD.
Email:sales@afabtool.com
Website:www.afabtool.com