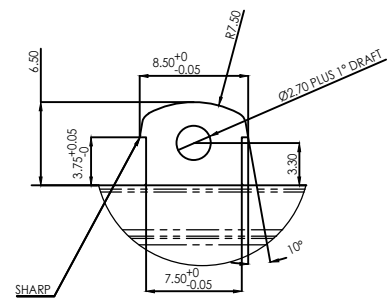
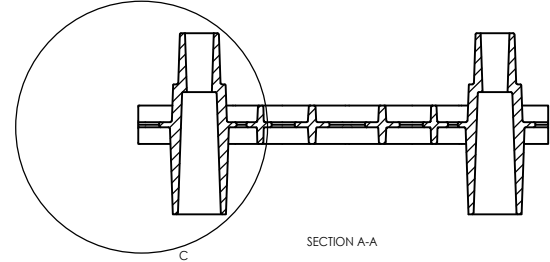


ENGRAVING DETAILS AS PER 3D CAD



DETAIL D SCALE 5 : 1

All drawing dimensions supplied by Daldorado are for reference only. All drawings are saved in a (*.dwg) file format and a provided as a service to our customers. Errors on occasion may occur when opening a file due to software incompatibility. Daldorado or any authorized distributor of our products will not be held responsible from files which have been converted and does not warranty the documents against deficiencies or typographical errors of any kind. We recommend that all mesurements are verified with the actual physical product before any custom fabrication in the field occurs.

COPYRIGHT: THIS DOCUMENT IS THE PROPERTY OF DALDORADO S.R.L. AND IS PROVIDED ON AN "AS-IS" BASIS. IT MAY NOT BE COPIED OR REPRODUCED WITHOUT THE WRITTEN PERMISSION OF DALDORADO OR ITS AUTHORIZED AGENT. ALL DIMENSIONS IN mm UNLESS STATED OTHERWISE.

DRAWN: JMS
DATE: Oct. 26, 2017

MATERIAL: PVC



DESCRIPTION: DPARS 14"