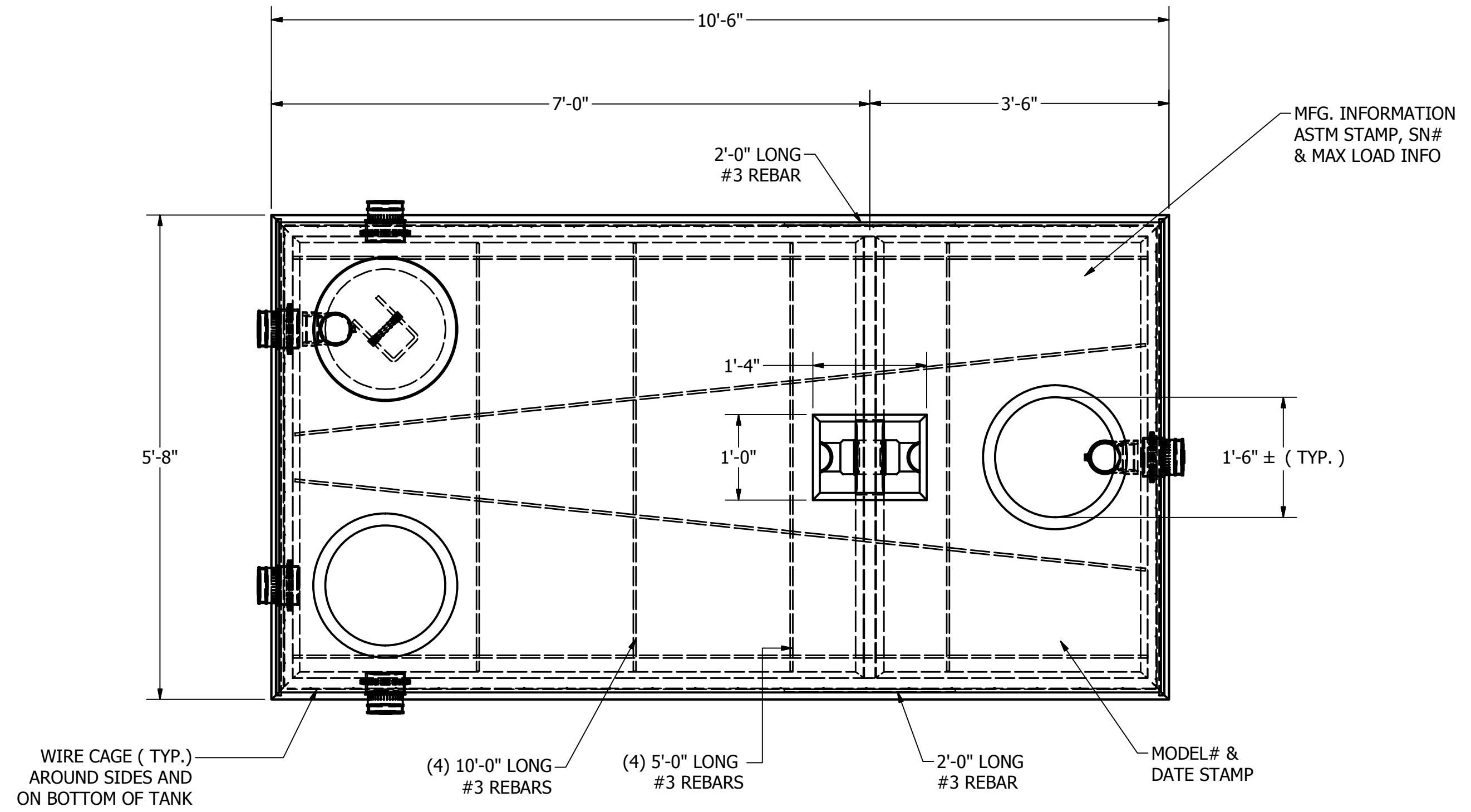
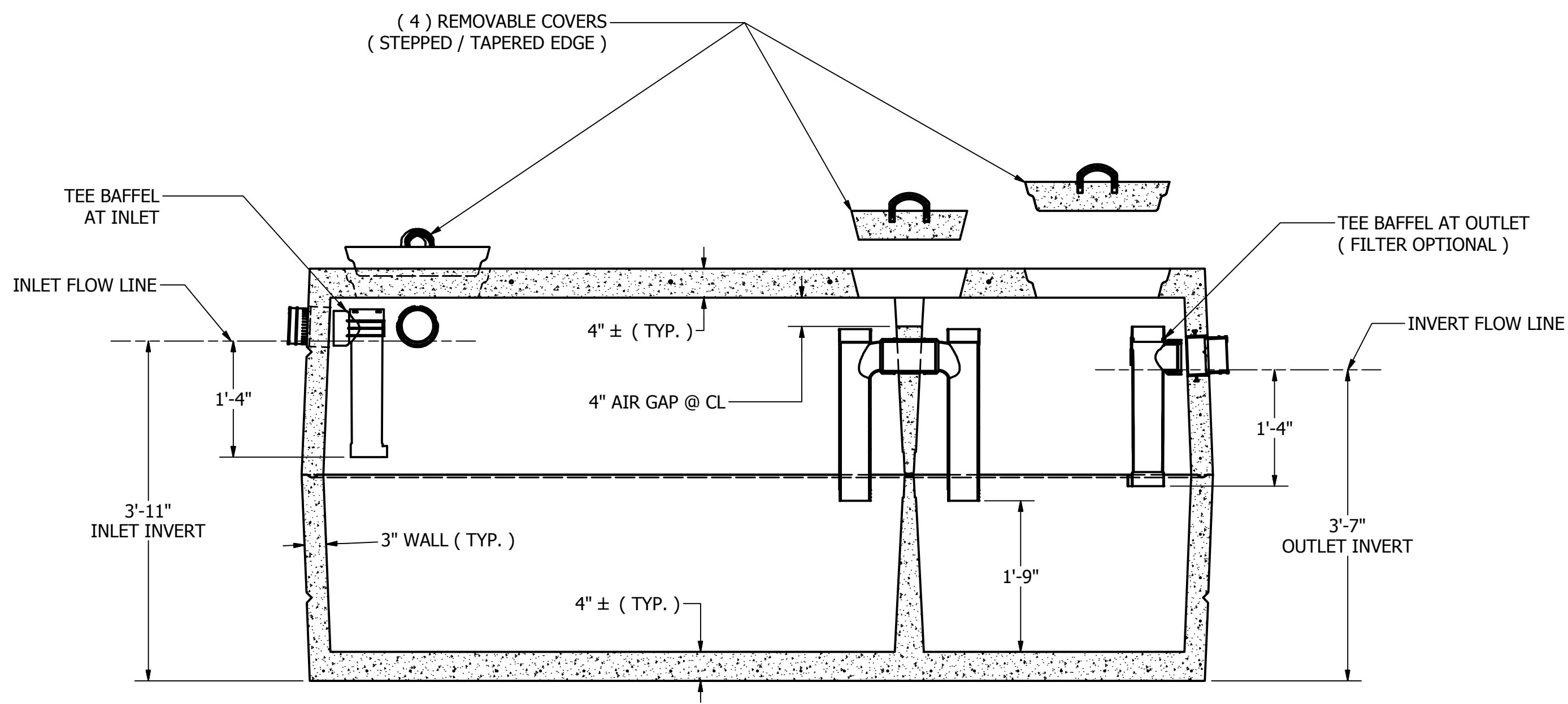
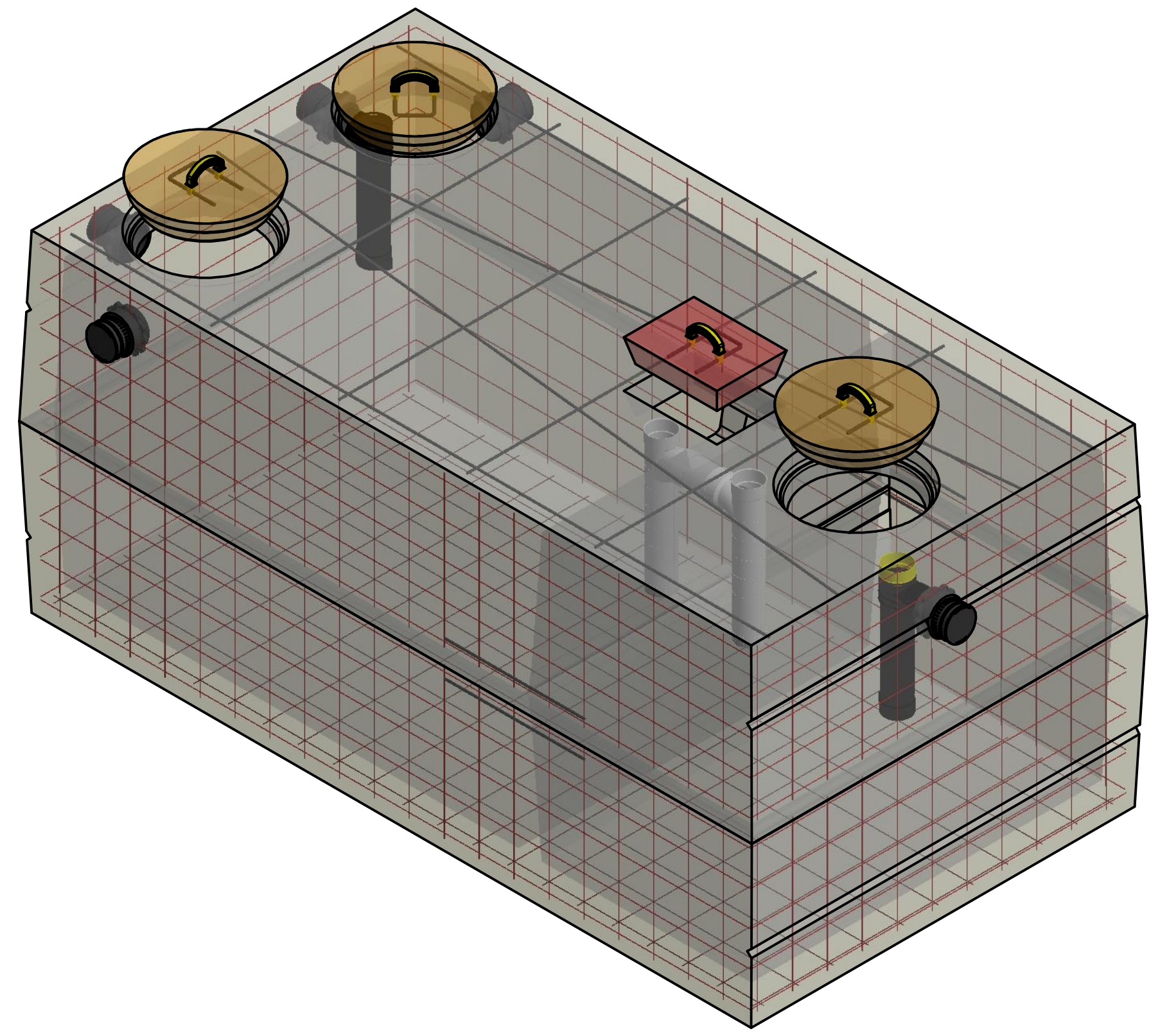


**TANK DESIGN SPECIFICATION CONFORMS TO LATEST ASTM DESIGNATION C1227.**

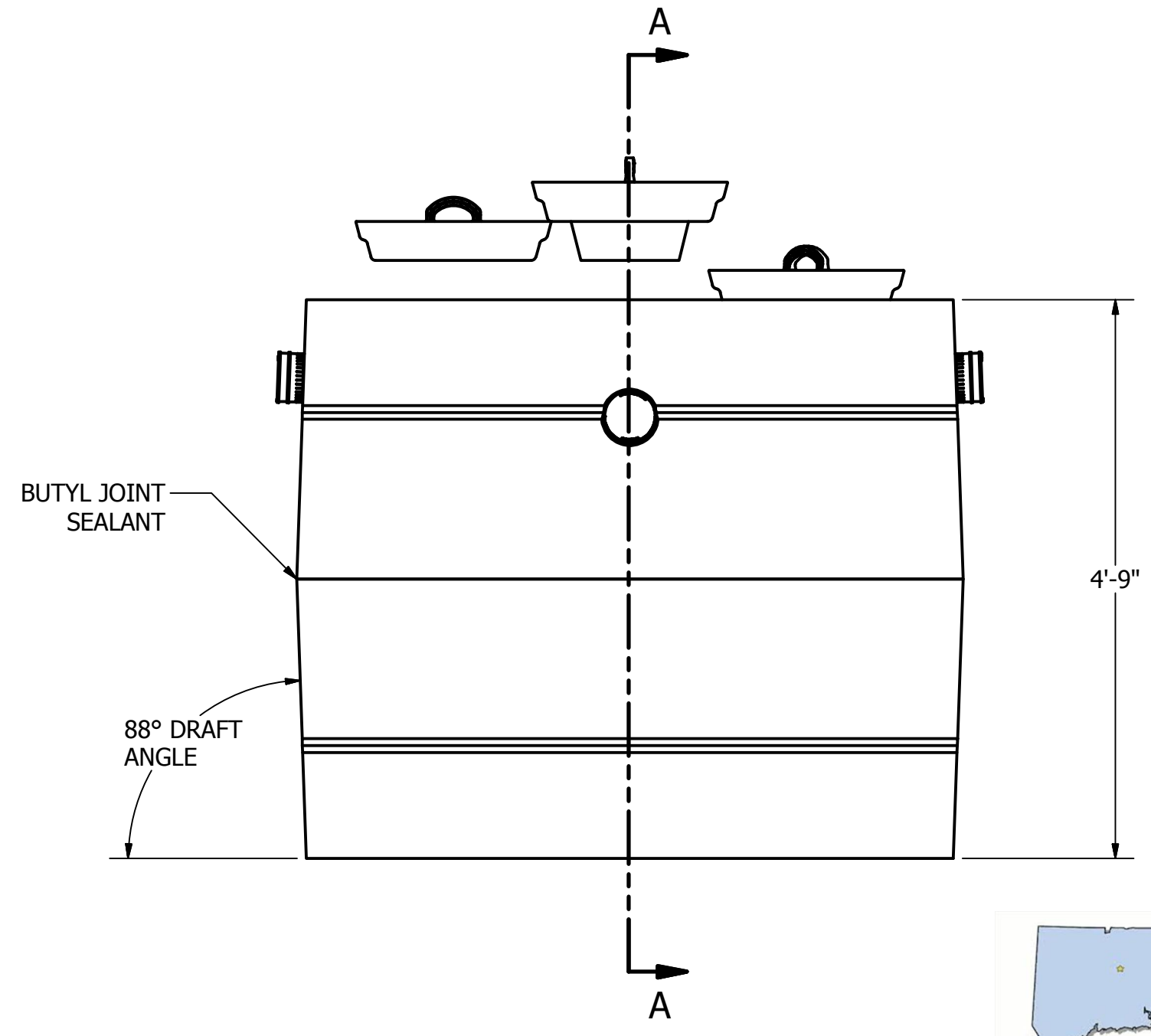


**TOP VIEW  
( TWO STEPPED & TAPERED CONCRETE COVERS REMOVED )**

- NOTES**
1. JOINT SEALANT IS BUTYL RUBBER MASTIC TYPE SEAL THAT CONFORMS TO LATEST AASHTO SPECIFICATION M-198. MEETS FEDERAL SPECIFICATION SS-S-0021(210-A).
  2. REINFORCING STEEL REBAR CONFORMS TO LATEST ASTM SPECIFICATION A615.
  3. REINFORCING STEEL WELDED WIRE FABRIC CONFORMS TO LATEST ASTM SPECIFICATION A185.
  4. CONCRETE COMPRESSIVE STRENGTH - 4500 PSI AT 28 DAYS.
  5. METHOD OF MANUFACTURE: WET CAST.
  6. SECTIONS ARE MONOLITHIC.
  7. PIPE INLET AND OUTLET SEALS CONFORM TO ASTM C 1944 OR 923
  8. ALL CONCRETE AND PLASTIC COVERS HAVE TANK ENTRY WARNING PLACARDS. ( TWO COMPARTMENT TANK AND DANGER POISON GAS )
  9. ALL PLASTIC HANDLES HAVE REBAR ATTACHED
  10. MAXIMUM 4 FEET OF COVER OVER TANK
  11. OUTLET FILTER CAN BE ORDERED FOR ADDITIONAL COST.



**SECTION A-A**



SCALE: 1 / 15  
ALL VIEWS



CONNECTICUT STATE APPROVED TANK

**CONNECTICUT CONCRETE PRODUCTS, LLC**

THIRD ANGLE PROJECTION 	DIMENSIONS ARE IN INCHES TOLERANCES UNLESS NOTED: XX ± 0.1 XXX ± 0.02 XXXX ± 0.005	DRAWN <b>R Campbell</b> CHECKED	1/9/2017	10 MEADOW LANE, STAFFORD SPRINGS, CT 06076 PHONE 860-851-9132 Visit: precastct.com
	ANGLES ± 0.5 BEND ± 2.0	PROPRIETARY AND CONFIDENTIAL THE INFORMATION CONTAINED IN THIS DRAWING IS THE SOLE PROPERTY OF MILROY & COMPANY, LLC. ANY REPRODUCTION IN PART OR AS A WHOLE WITHOUT THE WRITTEN PERMISSION OF MILROY & COMPANY, LLC IS PROHIBITED.	QA MFG APPROVED	TITLE <b>1250 GALLON REGULAR SEPTIC TANK</b> Cast in Removable Concrete Covers
	DRILLED HOLES +0.010/-0.000 SURFACE FINISH AS REQUIRED BY TOLERANCE UNLESS NOTED OTHERWISE	EST MASS LBS. <b>10,500</b> +- 5%	DWG NO <b>1250 GAL- C</b>	REV <b>A</b>
		SCALE	SHEET 1 OF 1	