



REGALE
—★—
SWIMMING POOLS
POLYMER DIG BOOK

RICHMOND, VA
804-798-6046

GREENSBORO, NC
336-275-7747

CHARLOTTE, NC
704-375-7573

NASHVILLE, TN
615-636-9129

N. MYRTLE BEACH, SC
843-399-2400

GREENVILLE, SC
864-879-8881

ATLANTA, GA
770-441-3600

POINT HARBOR, NC
252-491-2167

Table of Contents

Assembly Drawing..	Pg. 1		
Rectangle 2' Radius			
12' X 24'	Pg. 2		
14' X 28'	Pg. 3		
16' X 26'	Pg. 4		
16' X 32'	Pg. 5		
16' X 36'	Pg. 6		
16' X 40'	Pg. 7		
18' X 36'	Pg. 8		
18' X 40'	Pg. 9		
20' X 40'	Pg. 10		
Rectangle 4' Radius			
12' X 24'	Pg. 11		
14' X 28'	Pg. 12		
16' X 32'	Pg. 13		
16' X 36'	Pg. 14		
16' X 40'	Pg. 15		
18' X 36'	Pg. 16		
18' X 40'	Pg. 17		
20' X 40'	Pg. 18		
25' X 50'	Pg. 19		
Grecian			
12' X 24'	Pg. 20		
14'-6" X 28'-6"	Pg. 21		
16'-6" X 32'-6"	Pg. 22		
16'-6" X 35'-6"	Pg. 23		
18'-6" X 35'-6"	Pg. 24		
20'-6" X 40'-6"	Pg. 25		
Oval			
15' X 30'	Pg. 26		
16' X 32'	Pg. 27		
18' X 28'	Pg. 28		
18' X 36'	Pg. 29		
18' X 42'	Pg. 30		
		Lazy L 2' Radius	
		16' X 40' Left.....	Pg. 31
		16' X 40' Right.....	Pg. 32
		18' X 44' Left.....	Pg. 33
		18' X 44' Right.....	Pg. 34
		Lazy L 4' Radius	
		20' X 40' Left.....	Pg. 35
		20' X 40' Right.....	Pg. 36
		True L 2' Radius	
		18' X 36' X 26' Left.....	Pg. 37
		18' X 36' X 26' Right.....	Pg. 38
		18' X 38' X 30' Left.....	Pg. 39
		18' X 38' X 30' Right.....	Pg. 40
		20' X 40' X 28' Left.....	Pg. 41
		20' X 40' X 28' Right.....	Pg. 42
		20' X 46' X 30' Left.....	Pg. 43
		20' X 46' X 30' Right.....	Pg. 44
		True L 4' Radius	
		16' X 40' X 24' Left.....	Pg. 45
		16' X 40' X 24' Right.....	Pg. 46
		16' X 40' X 26' Left.....	Pg. 47
		16' X 40' X 26' Right.....	Pg. 48
		16' X 40' X 32' Left.....	Pg. 49
		16' X 40' X 32' Right.....	Pg. 50
		20' X 46' X 30' Left.....	Pg. 51
		20' X 46' X 30' Right.....	Pg. 52
		Lazy L Grecian	
		16'-6" X 40' X 20' Left.....	Pg. 53
		16'-6" X 40' X 20' Right.....	Pg. 54
		18'-6" X 40' X 22' Left.....	Pg. 55
		18'-6" X 40' X 22' Right.....	Pg. 56

Table of Contents Cont.

True L Grecian

16'-6" X 40'-6" X 23'-9" Left Pg. 57
 16'-6" X 40'-6" X 23'-9" Right Pg. 58
 16'-6" X 40'-6" X 31'-9" Left Pg. 59
 16'-6" X 40'-6" X 31'-9" Right Pg. 60

Tee

16' X 28' X 42' Pg. 61

Kidney

16'-11" X 31'-4" Left..... Pg. 62
 16'-11" X 31'-4" Right..... Pg. 63
 20' X 34' Left..... Pg. 64
 20' X 34' Right..... Pg. 65
 18' X 35' SS Kidney Left..... Pg. 66
 18' X 35' SS Kidney Right..... Pg. 67
 18' X 34' Fig. 8..... Pg. 68
 18' X 38' Fig. 8..... Pg. 69
 18' X 36' Fig. 8 SS Left..... Pg. 70
 18' X 36' Fig. 8 SS Right..... Pg. 71

Double Roman

16'-6" X 31'-2" Pg. 72
 18'-6" X 36'-2" Pg. 73
 20'-6" X 39'-2" Pg. 74

Single Roman

18'-6" X 36'-7" Pg. 75

Lagoon

18' X 29' X 35' Left..... Pg. 76-77
 18' X 29' X 35' Right..... Pg. 78-79

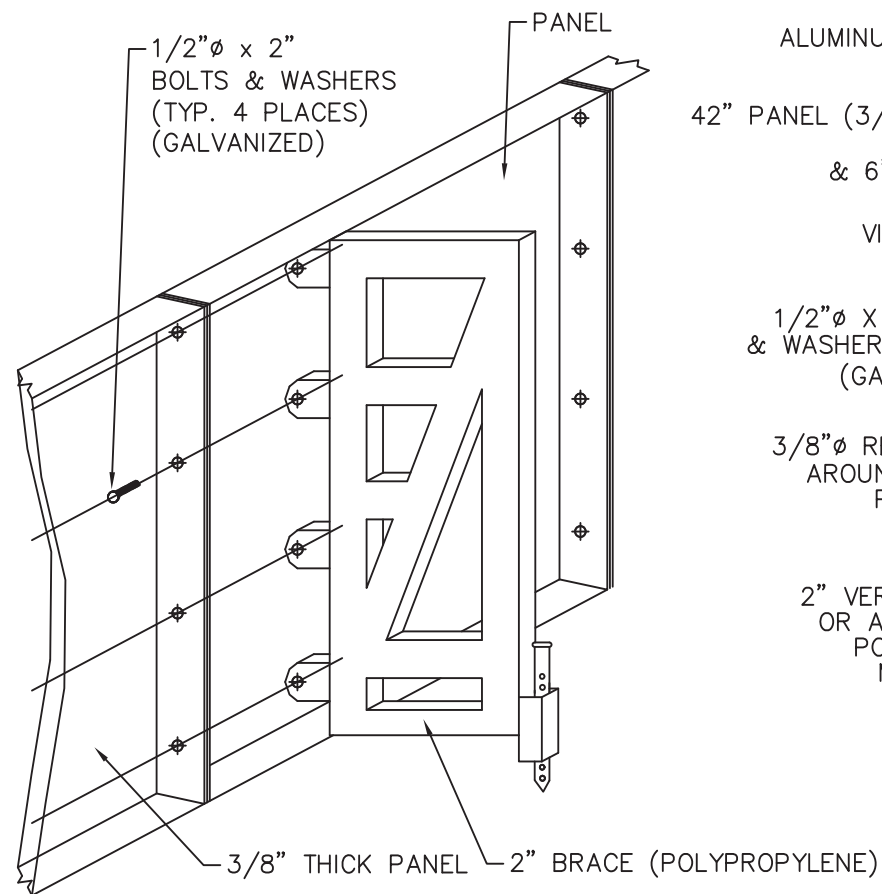
Mountain Pond

18' X 42' Left..... Pg. 80-82
 18' X 42' Right..... Pg. 83-85
 18' X 48' Left..... Pg. 86-88
 18' X 48' Right..... Pg. 89-91

Deer Creek

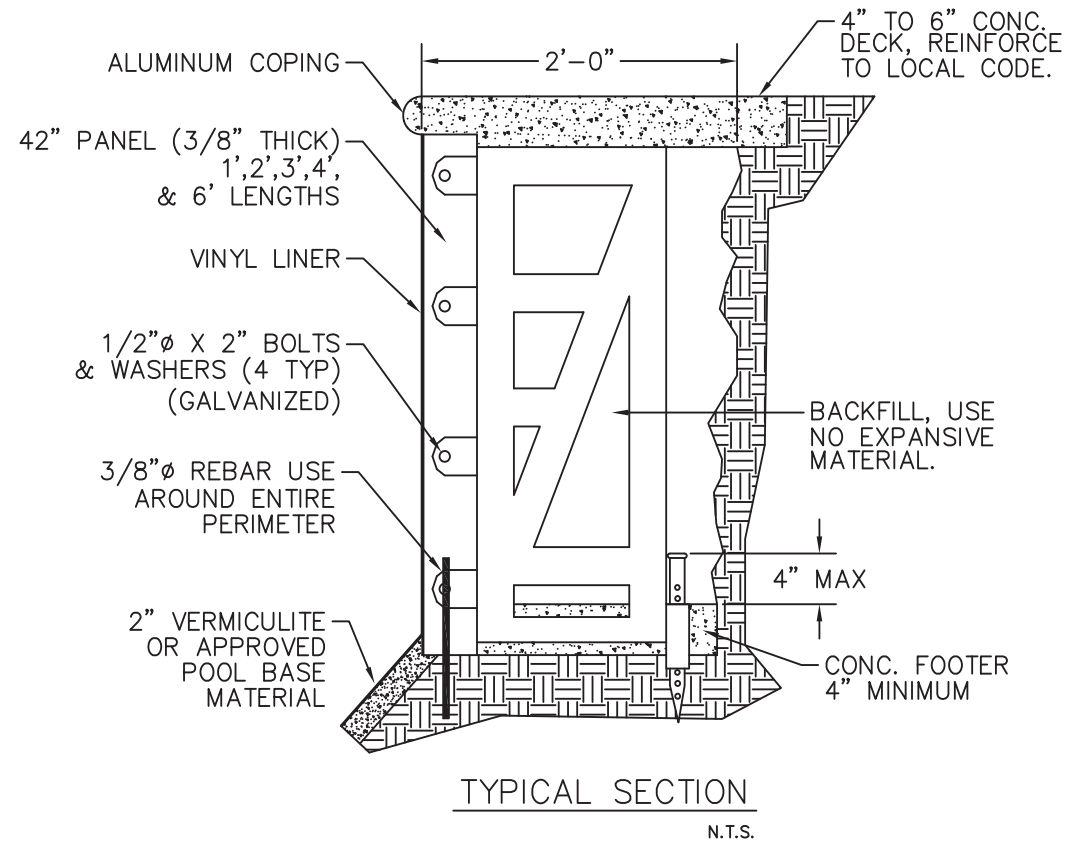
21' X 36' Left..... Pg. 92-94
 21' X 36' Right..... Pg. 95-97

NOTES



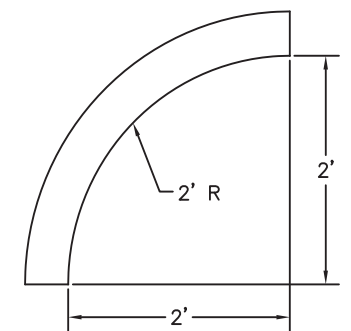
STANDARD BRACE & PANEL ASSEMBLY

(NOTE: INTERNAL PANEL BRACING OMITTED FOR CLARITY) N.T.S.



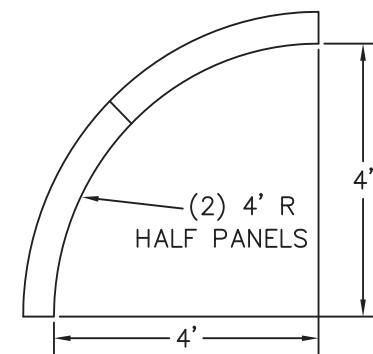
TYPICAL SECTION

N.T.S.



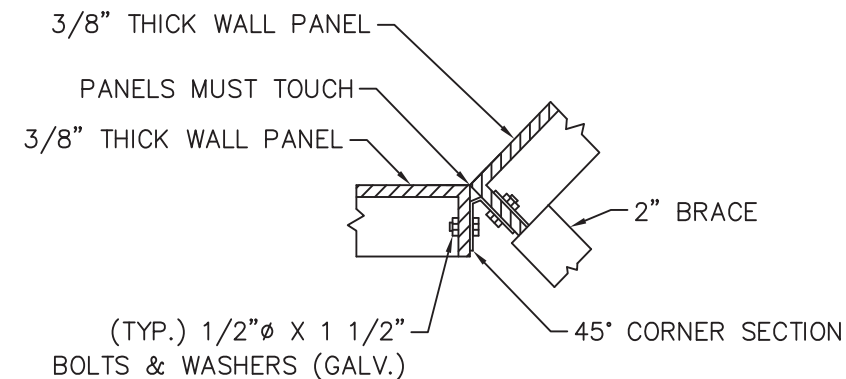
2' RADIUS CORNER

N.T.S.



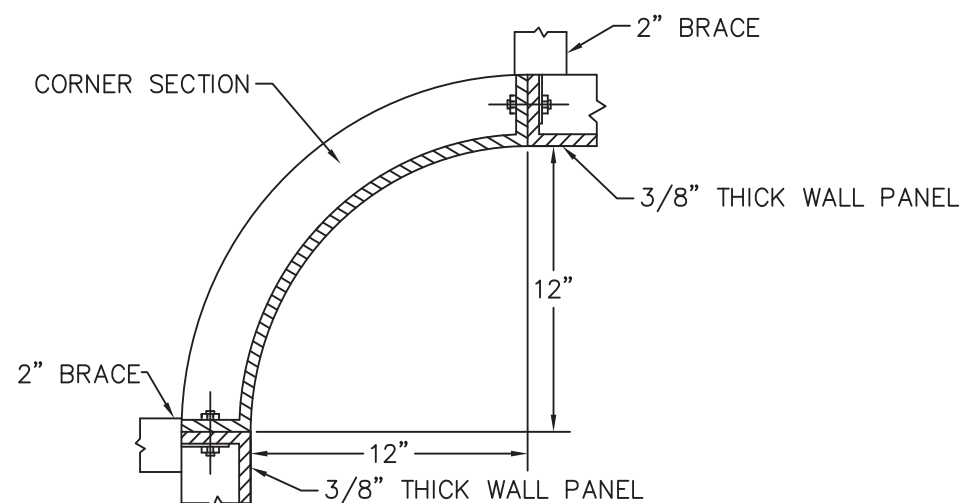
4' RADIUS CORNER

N.T.S.



TYPICAL (45°) CORNER ASSEMBLY

N.T.S.



**TYPICAL (90°) CORNER ASSEMBLY
w/ 6" RADIUS, 1' x 1' PANEL**

N.T.S.

GENERAL NOTES:

1. All pools are N.P.S.I. Type II and only Type II equipment is to be used, unless otherwise noted.
2. Vertical dimensions on all pools are from liner extrusions.

EXCAVATION NOTES:

1. Surrounding land elevation to be 6" lower than top of pool.
2. 2' to be allowed all around pool for working area in excavation. All voids under panels to be filled and compacted in 6" to 8" layers.
3. At no time should compacted backfill exceed water level or vice versa more than 12".
4. Use non-expansive material (no clay content) for backfill (i.e. sand, gravel, etc.)

FOUNDATION NOTES:

1. Footing design based on 1500 PSF soil bearing capacity (minimum).
2. Regale Pools shall not be responsible for local foundation design, as local conditions must be investigated to determine proper soil bearing capacity.

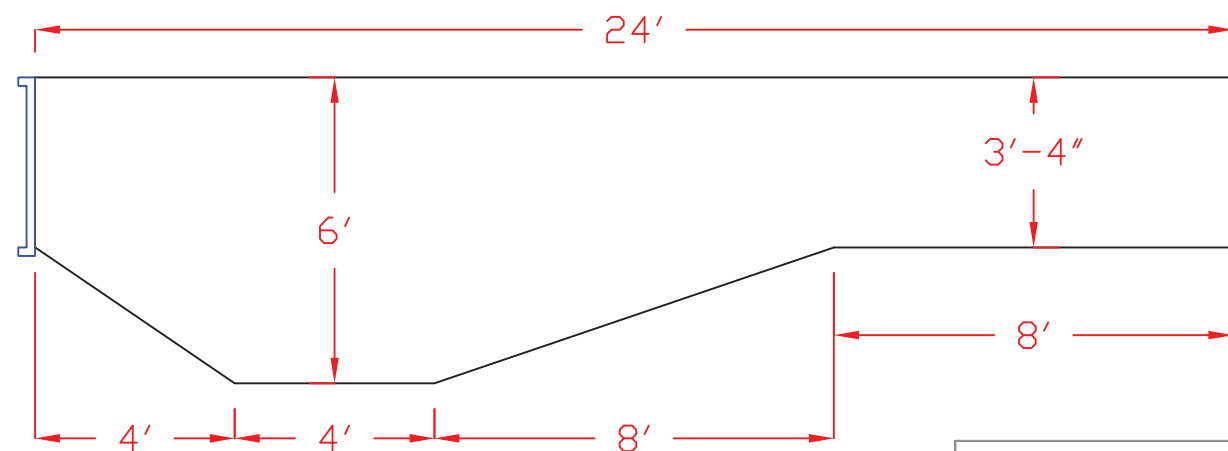
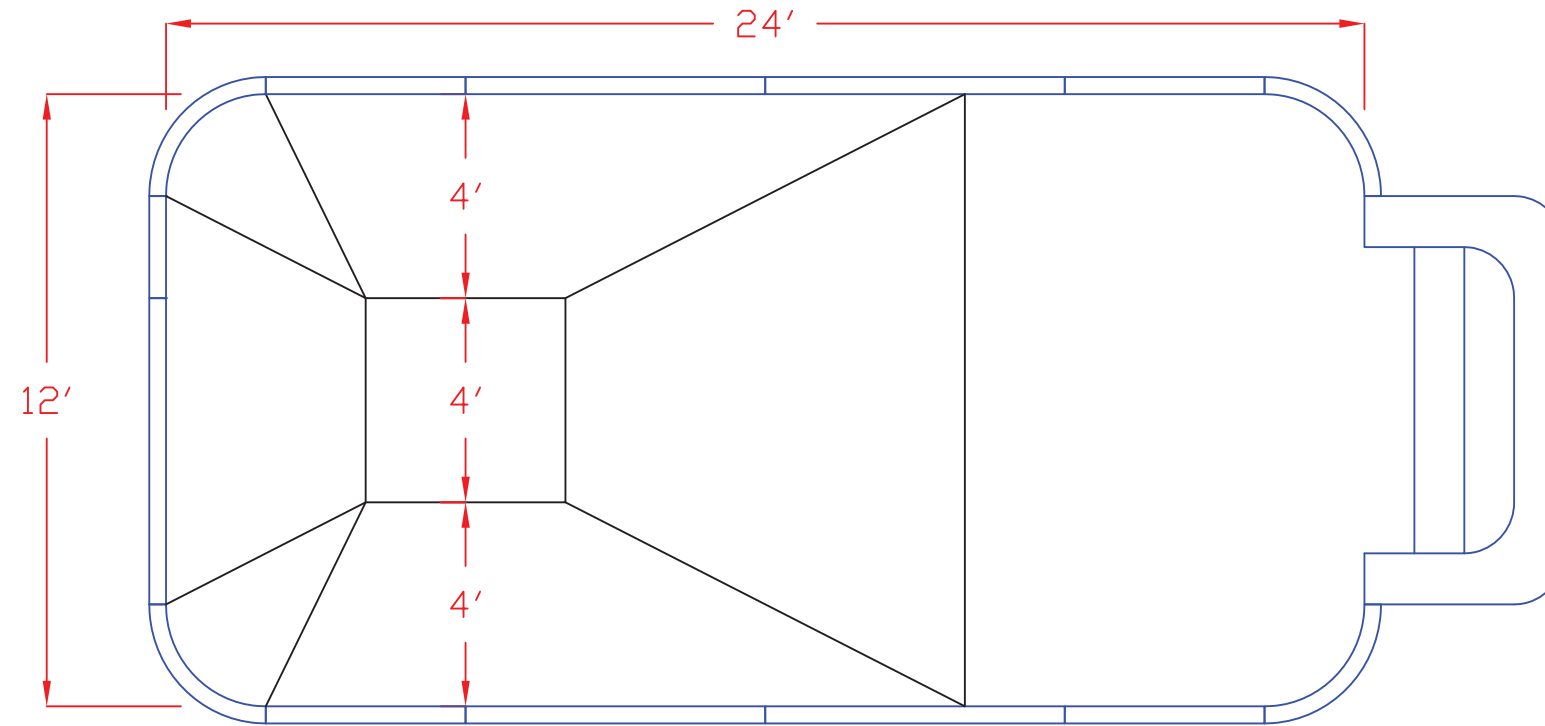
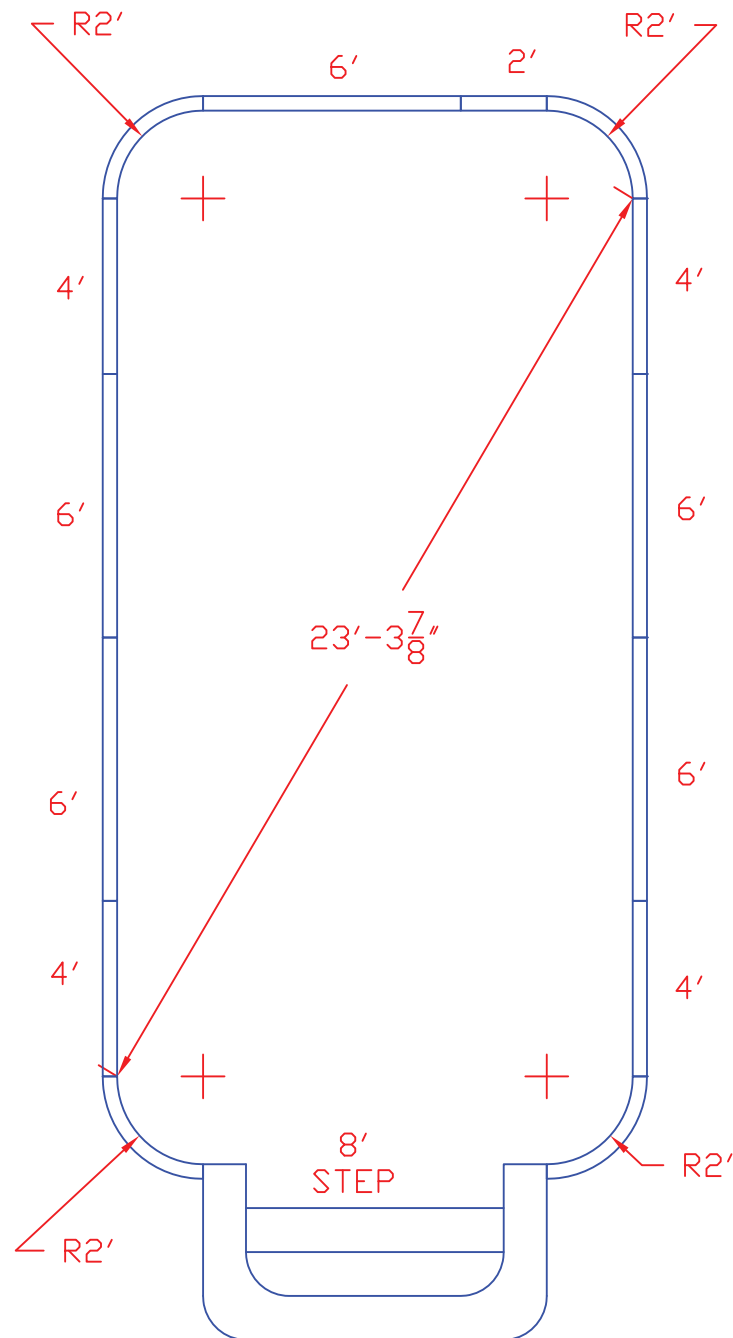
MATERIAL SPECIFICATIONS:

- | | |
|---------------------------|---|
| <u>Pool Panels:</u> | Polystyrene PS 331 |
| <u>Pool Braces:</u> | 2-inch Polypropylene |
| <u>Pool Liner:</u> | 20 MIL PVC Liner |
| <u>Concrete:</u> | f'c=2500PSI, 28days |
| <u>Reinforcing Steel:</u> | ASTM-A615-GR 60 |
| <u>Vermiculite:</u> | Light-weight aggregate concrete conforming to ACI 613A & ACI 318-83 Standard specifications |
| | Concrete wt. = 75 PCF |

Pool Builders Supply 1124 CENTRAL AVE. CHARLOTTE, NC 28204		THIS DRAWING IS THE PROPERTY OF POOL BUILDERS SUPPLY POOLS AND IS LOANED FOR CONFIDENTIAL USE ONLY, AND SHOULD NOT BE COPIED OR USED FOR ANY PURPOSE DETRIMENTAL TO THE INTEREST OF POOL BUILDERS SUPPLY POOLS.				
		STANDARD ASSEMBLY DRAWING & POOL CORNERS				
DATE	DRAWN BY	SIZE	SCALE	DWG NO.	REV	
04/20/10	JMH	A	NTS	PBS-RP-SAD01	0	

LIST OF MATERIALS

PART	QUANTITY	PART #
8' STEP	1	PBS-8
6' PLAIN	5	K23030
4' PLAIN	4	K23032
2' PLAIN	1	K23028
2' RADIUS	4	K23033
BRACE	15	POLY BRACE



GENERAL NOTES:
This is a Type 0 pool & NO DIVING is allowed.

This drawing is for illustrative purposes only. Dealer/ builder is an independent contractor and not an agent or employee of POOL BUILDERS SUPPLY. POOL BUILDERS SUPPLY makes no representations other than that which is stated in its written warranty. The customer or Dealer/ Builder is responsible for all construction methods and conforming to all building codes.

Safety rope must be installed 1ft. from break on shallow side.

"No diving" placards must be used.

PERIMETER: 68'-7"

S.A. : 284.57 SQ.FT.

VOLUME: 8,500 GAL.

**POOL BUILDERS
SUPPLY**

1124 CENTRAL AVE.
CHARLOTTE, NC
28204

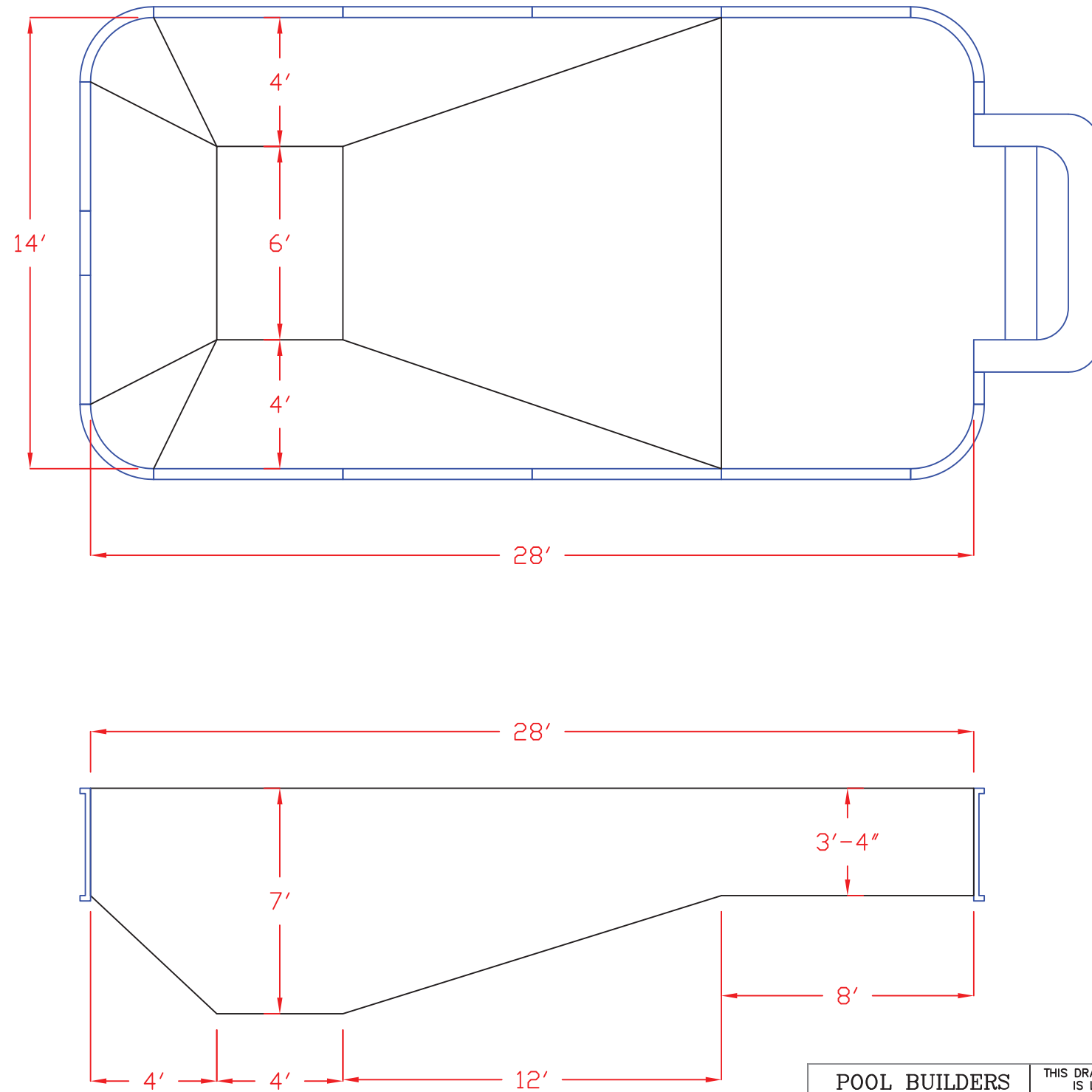
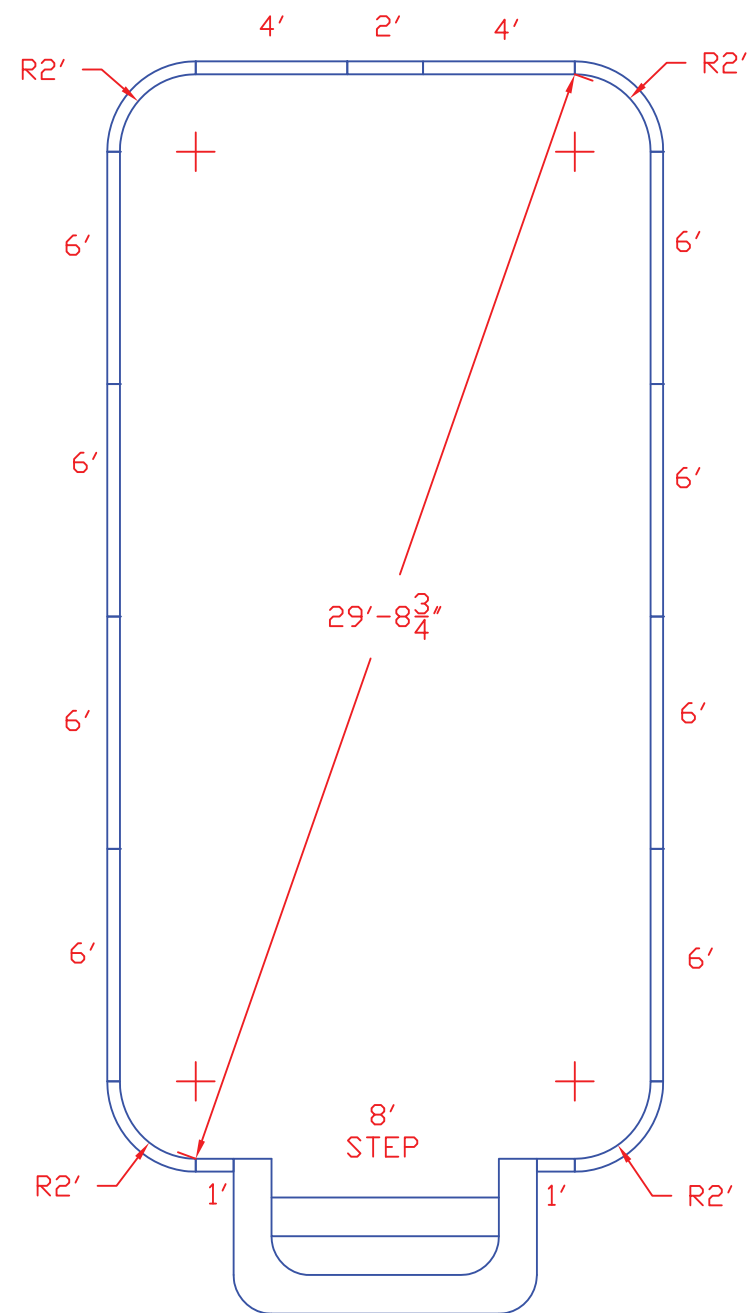
THIS DRAWING IS THE PROPERTY OF POOL BUILDERS SUPPLY AND IS LOANED FOR CONFIDENTIAL USE ONLY, AND SHOULD NOT BE COPIED OR USED FOR ANY PURPOSE DETRIMENTAL TO THE INTEREST OF POOL BUILDERS SUPPLY.

12' X 24' w/ 2'R
RECTANGLE - POLY

DATE	DRAWN BY	SIZE	SCALE	DWG NO.	REV
06/17/09	JMH	B	NTS	1 of 1	0

LIST OF MATERIALS

PART	QUANTITY	PART #
8' STEP	1	PBS-8
6' PLAIN	8	K23030
4' PLAIN	2	K23032
2' PLAIN	1	K32028
1' PLAIN	2	K23036
2' RADIUS	4	K23033
BRACE	18	POLY BRACE



GENERAL NOTES:

This is a Type 0 pool & NO DIVING is allowed!

This drawing is for illustrative purposes only. Dealer/ builder is an independent contractor and not an agent or employee of Pool Builders Supply. Pool Builders Supply makes no representations other than that which is stated in its written warranty. The customer or Dealer/ Builder is responsible for all construction methods and conforming to all building codes.

Safety rope must be installed 1ft. from break on shallow side.

"No diving" placards must be used.

PERIMETER: 80'-7"

S.A. : 388.57 SQ.FT.

VOLUME: 11,657 GAL.

**POOL BUILDERS
SUPPLY**

1124 CENTRAL AVE.
CHARLOTTE, NC
28204

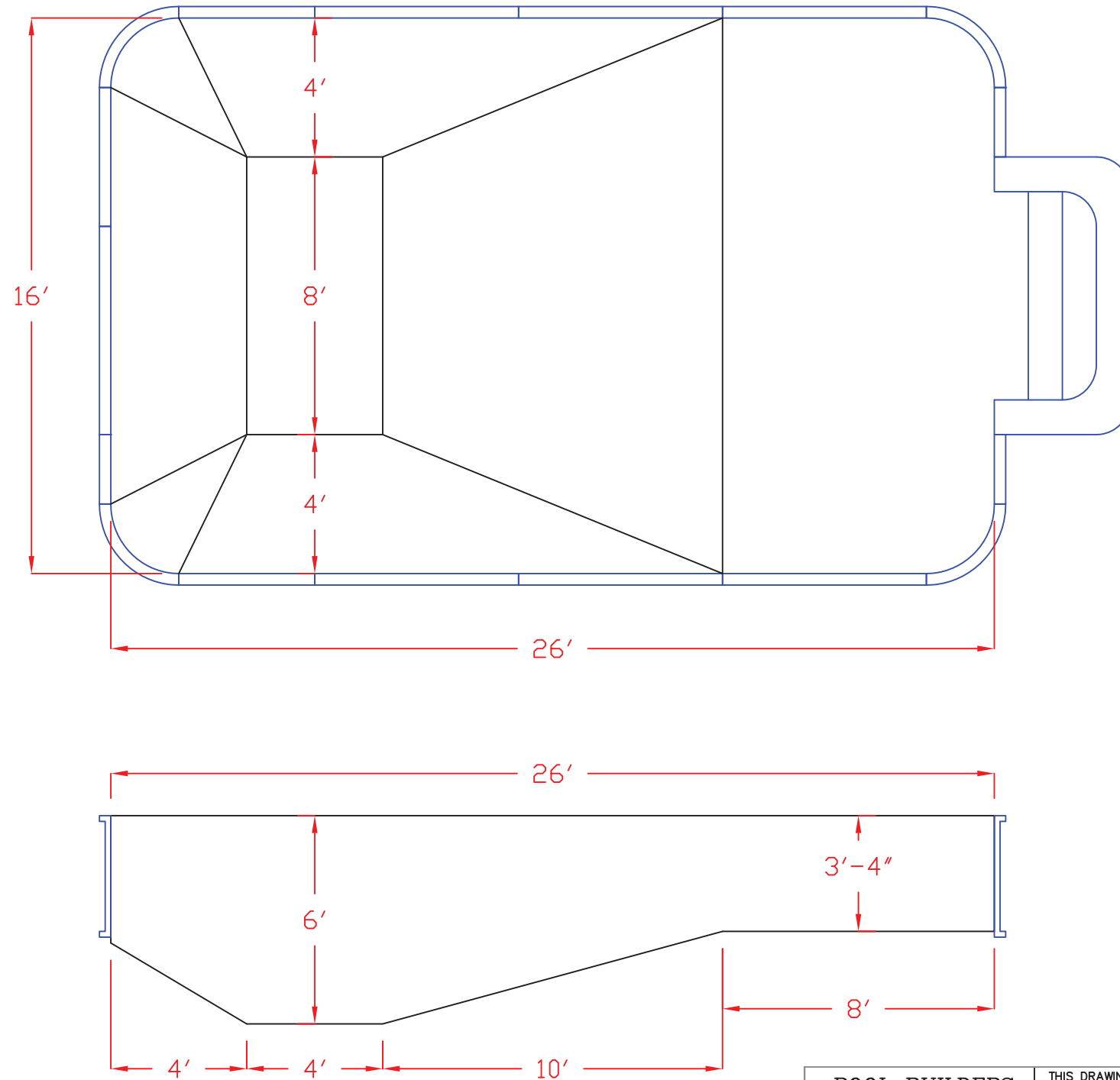
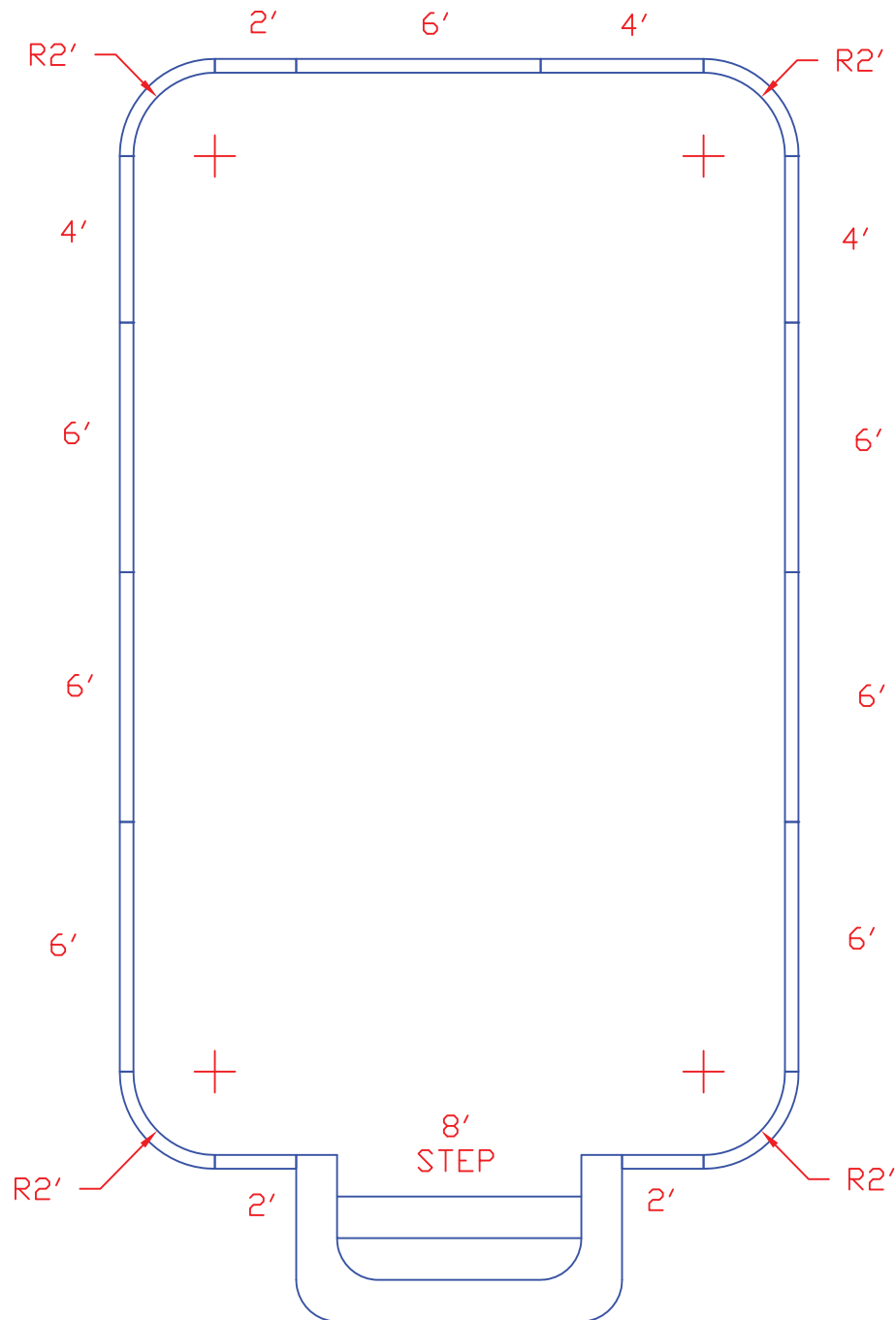
THIS DRAWING IS THE PROPERTY OF POOL BUILDERS SUPPLY AND IS LOANED FOR CONFIDENTIAL USE ONLY. AND SHOULD NOT BE COPIED OR USED FOR ANY PURPOSE DETRIMENTAL TO THE INTEREST OF POOL BUILDERS SUPPLY.

14' X 28' W/ 2'R
RECTANGLE - POLY

DATE 07/22/09	DRAWN BY JMH	SIZE B	SCALE NTS	DWG NO. 1 of 1	REV 0
------------------	-----------------	-----------	--------------	-------------------	----------

LIST OF MATERIALS

PART	QUANTITY	PART #
8' STEP	1	PBS-8
6' PLAIN	7	K23030
4' PLAIN	3	K23032
2' PLAIN	3	K23028
2' RADIUS	4	K23033
BRACE	18	POLY BRACE



GENERAL NOTES:
This is a Type 0 pool & NO DIVING IS ALLOWED.

This drawing is for illustrative purposes only. Dealer/ builder is an independent contractor and not an agent or employee of Pool Builders Supply. Pool Builders Supply makes no representations other than that which is stated in its written warranty. The customer or Dealer/ Builder is responsible for all construction methods and conforming to all building codes.

"No diving" placards must be used.

PERIMETER: 80'-7"

S.A. : 412.57 SQ.FT.

VOLUME: 12,377 GAL.

**POOL BUILDERS
SUPPLY**

1124 CENTRAL AVE.
CHARLOTTE, NC
28204

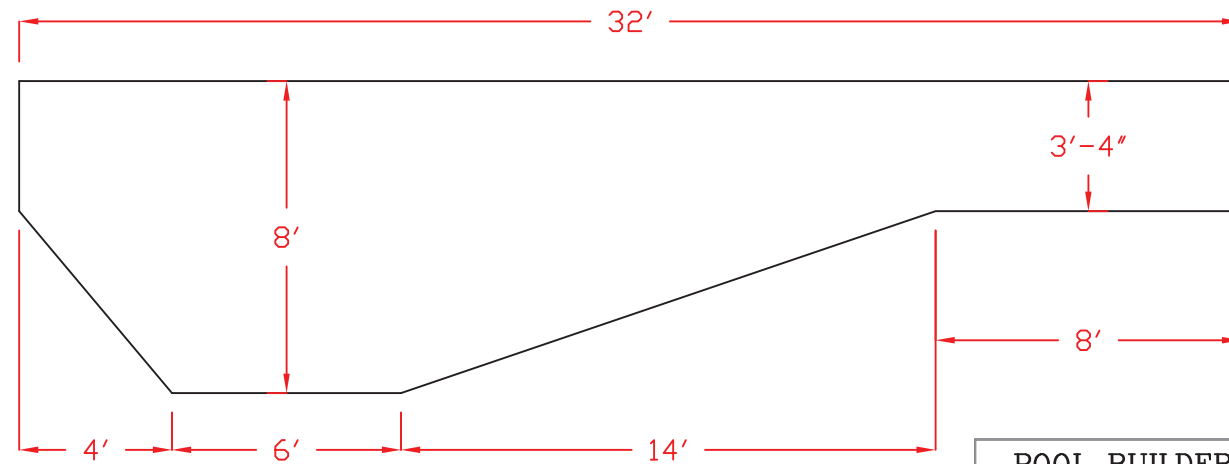
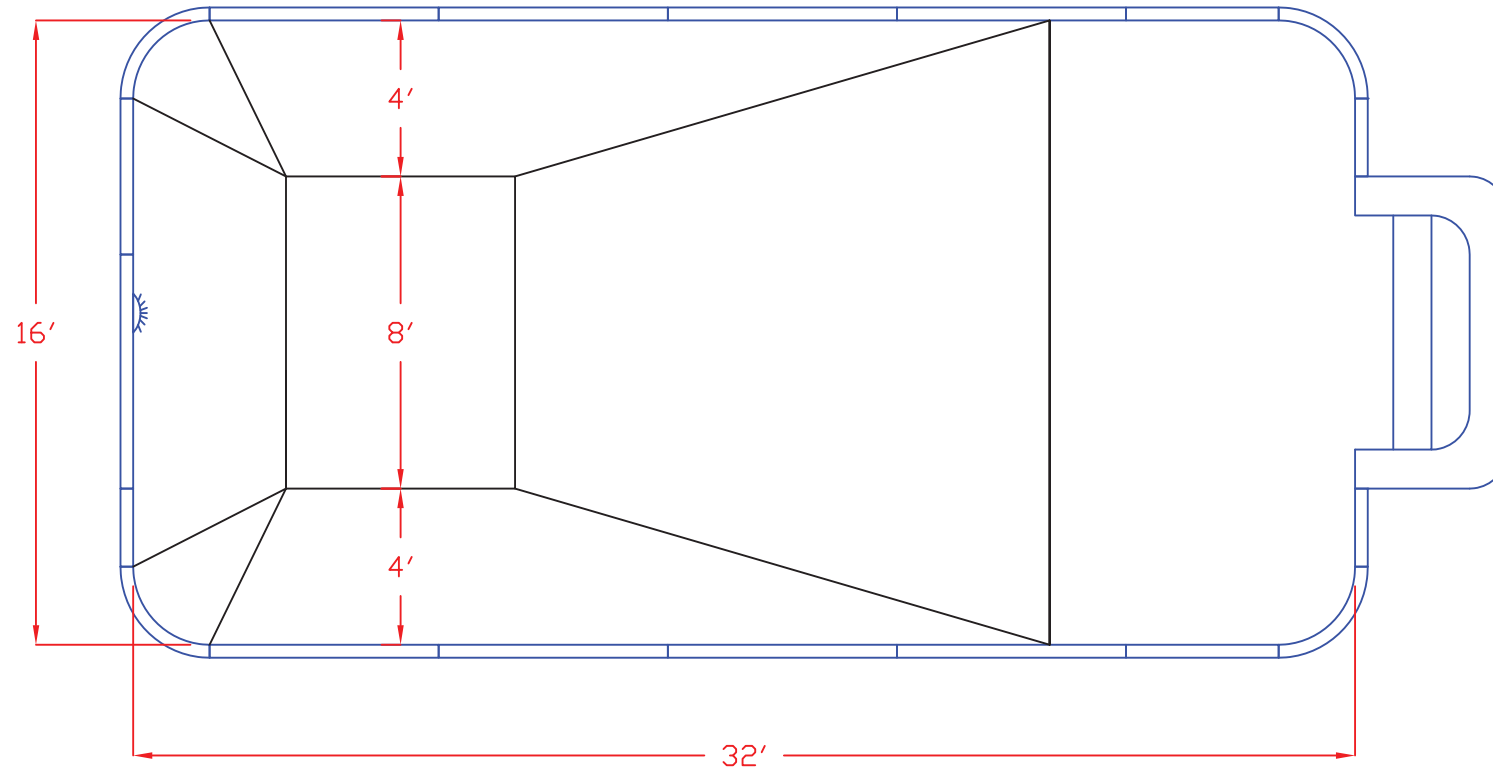
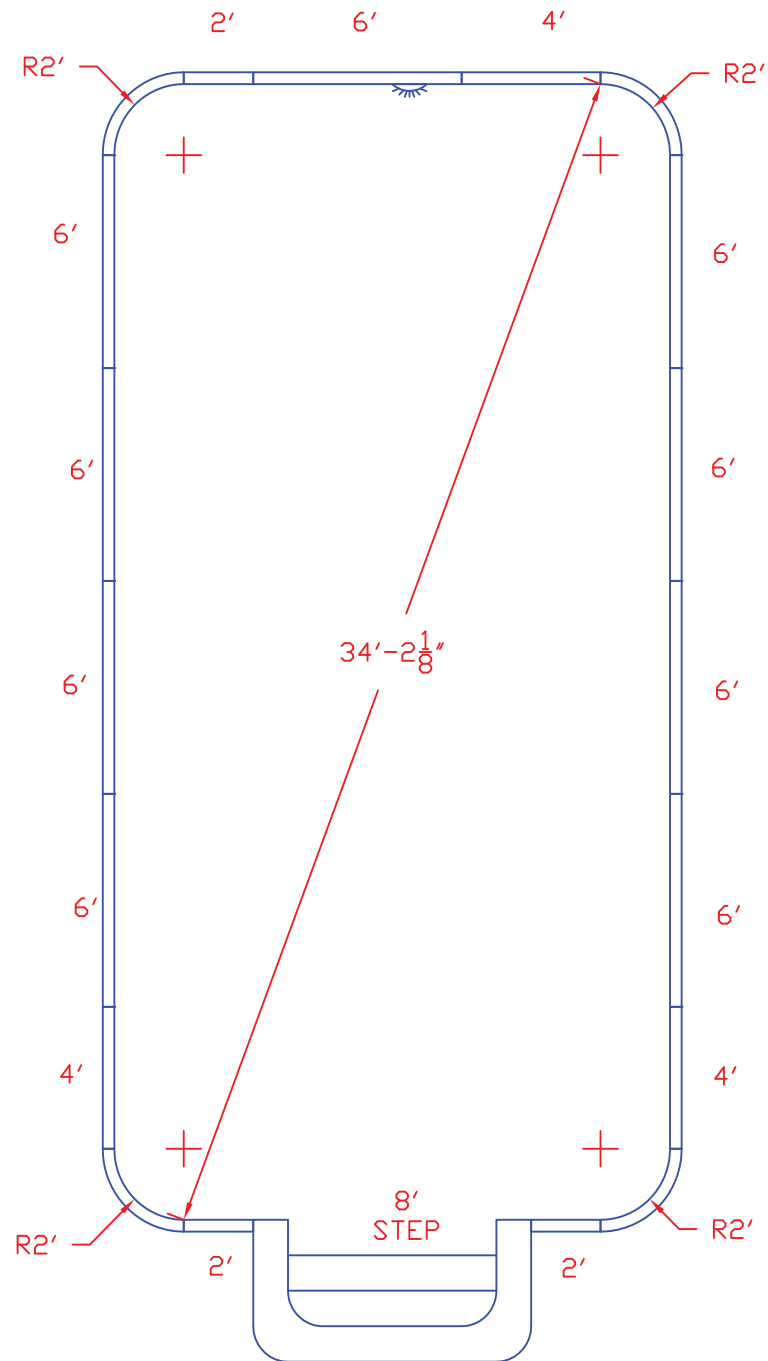
THIS DRAWING IS THE PROPERTY OF POOL BUILDERS SUPPLY AND IS LOANED FOR CONFIDENTIAL USE ONLY, AND SHOULD NOT BE COPIED OR USED FOR ANY PURPOSE DETRIMENTAL TO THE INTEREST OF POOL BUILDERS SUPPLY.

16' X 26' W/ 2'R
RECTANGLE - POLY

DATE 07/22/09	DRAWN BY JMH	SIZE B	SCALE NTS	DWG NO. 1 of 1	REV 0
------------------	-----------------	-----------	--------------	-------------------	----------

LIST OF MATERIALS

PART	QUANTITY	PART #
8' STEP	1	PBS-8
6' PLAIN	9	K23030
4' PLAIN	3	K23032
2' PLAIN	3	K23028
2' RADIUS	4	K23033
BRACE	20	POLY BRACE



GENERAL NOTES:

This is a Type II pool & Type II diving equipment must be used. Consult diving board manufacturer's specifications.

This drawing is for illustrative purposes only. Dealer/ builder is an independent contractor and not an agent or employee of Pool Builders Supply. Pool Builders Supply makes no representations other than that which is stated in its written warranty. The customer or Dealer/ Builder is responsible for all construction methods and conforming to all building codes.

Safety rope must be installed 1ft. from break on shallow side.

"No diving" placards must be used in the shallow end.

PERIMETER: 92'-7"

S.A. : 508.57 SQ.FT.

VOLUME: 17,545 GAL.

**POOL BUILDERS
SUPPLY**

1124 CENTRAL AVE.
CHARLOTTE, NC
28204

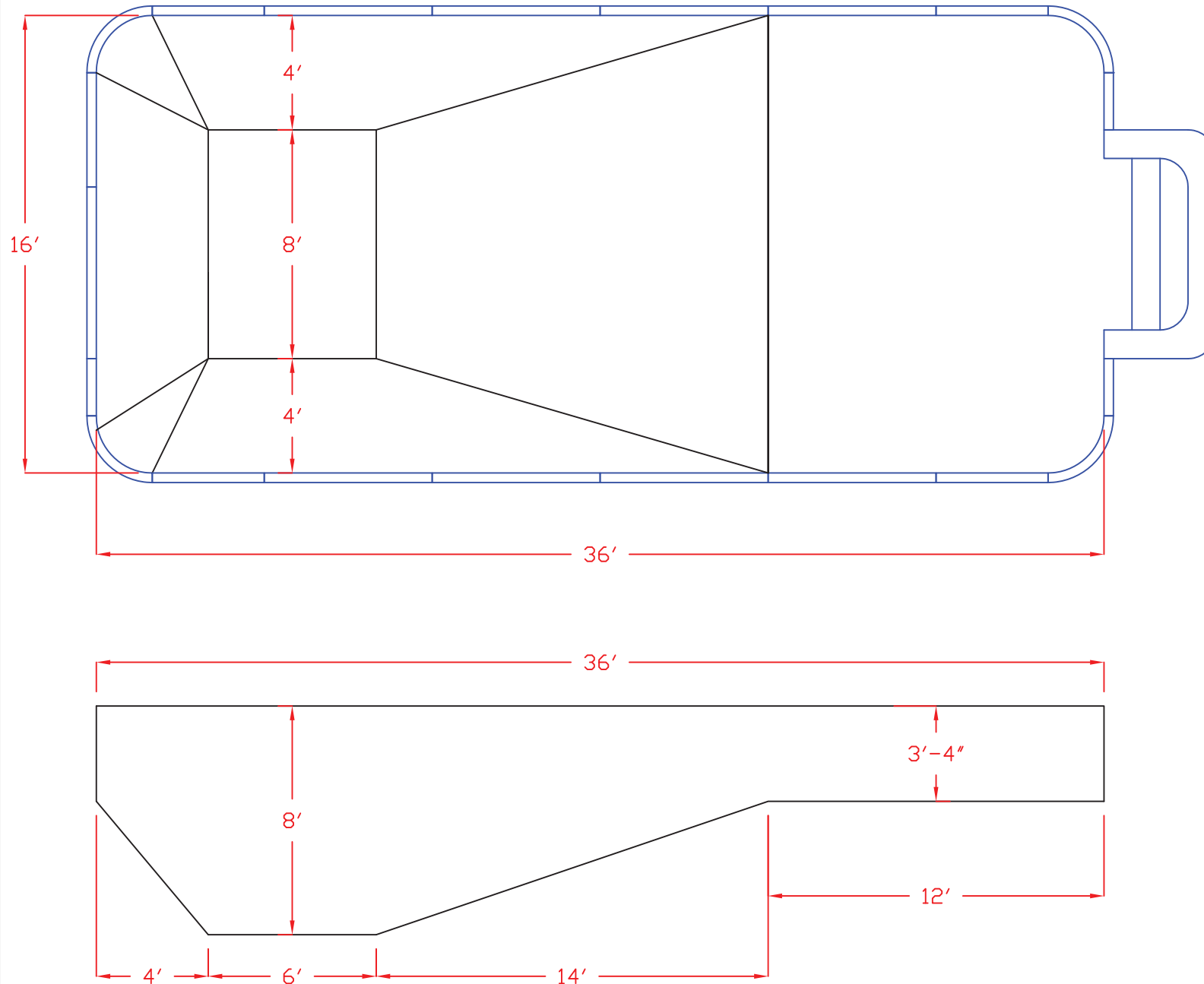
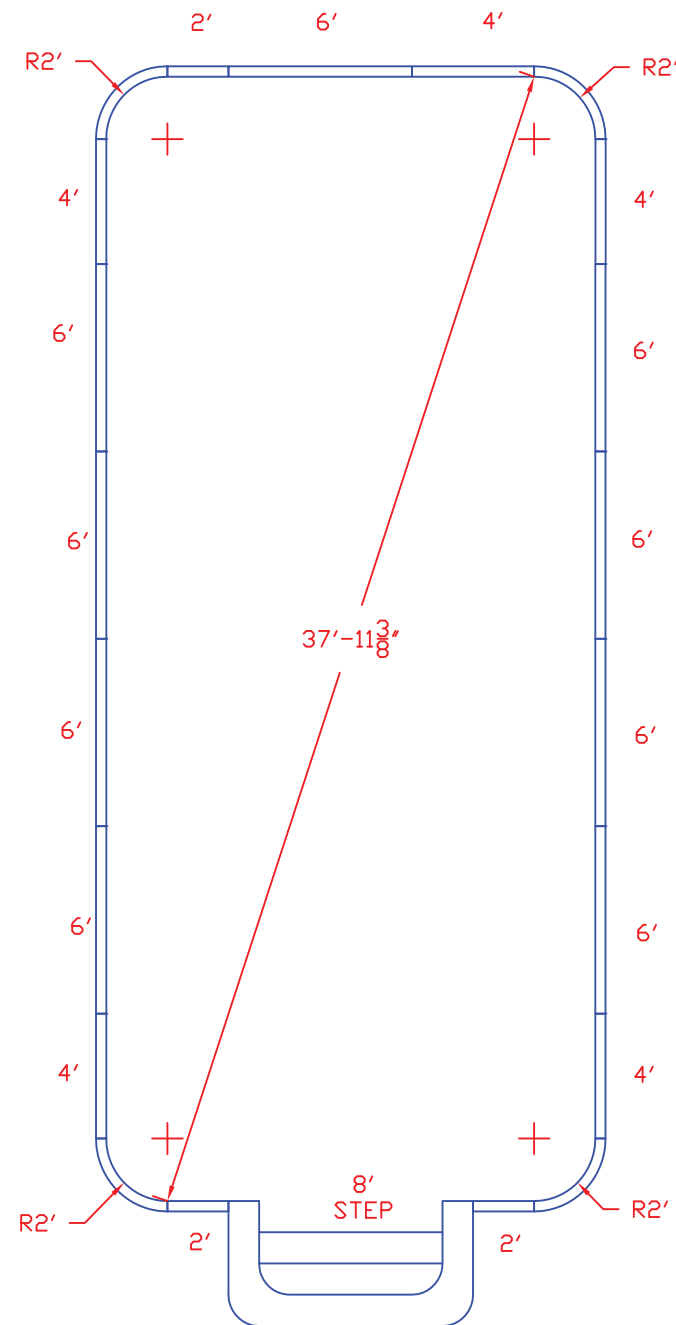
THIS DRAWING IS THE PROPERTY OF POOL BUILDERS SUPPLY AND IS LOANED FOR CONFIDENTIAL USE ONLY, AND SHOULD NOT BE COPIED OR USED FOR ANY PURPOSE DETRIMENTAL TO THE INTEREST OF POOL BUILDERS SUPPLY.

16' X 32' W/ 2'R
RECTANGLE - POLY

DATE 07/22/09	DRAWN BY JMH	SIZE B	SCALE NTS	DWG NO. 1 of 1	REV 0
------------------	-----------------	-----------	--------------	-------------------	----------

LIST OF MATERIALS

PART	QUANTITY	PART #
8' STEP	1	PBS-8
6' PLAIN	9	K23030
4' PLAIN	5	K23032
2' PLAIN	3	K23028
2' RADIUS	4	K23033
BRACE	22	POLY BRACE



GENERAL NOTES:

This is a Type II pool & Type II diving equipment must be used. Consult diving board manufacturer's specifications.

This drawing is for illustrative purposes only. Dealer/ builder is an independent contractor and not an agent or employee of Pool Builders Supply. Pool Builders Supply makes no representations other than that which is stated in its written warranty. The customer or Dealer/ Builder is responsible for all construction methods and conforming to all building codes.

Safety rope must be installed 1ft. from break on shallow side.

"No diving" placards must be used in the shallow end.

PERIMETER: 100'-7"

S.A. : 572.75 SQ.FT.

VOLUME: 19,753 GAL.

**POOL BUILDERS
SUPPLY**

1124 CENTRAL AVE.
CHARLOTTE, NC
28204

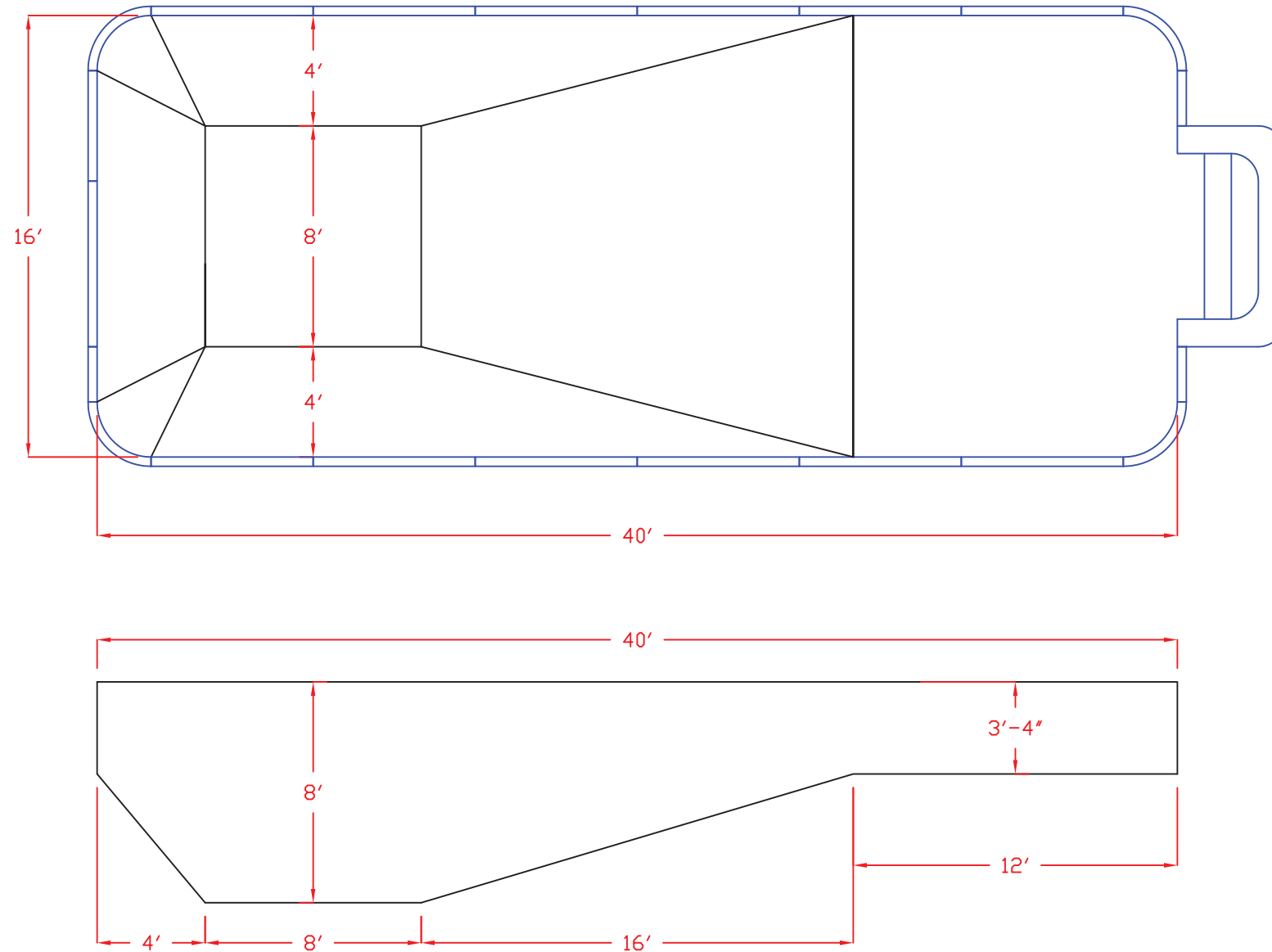
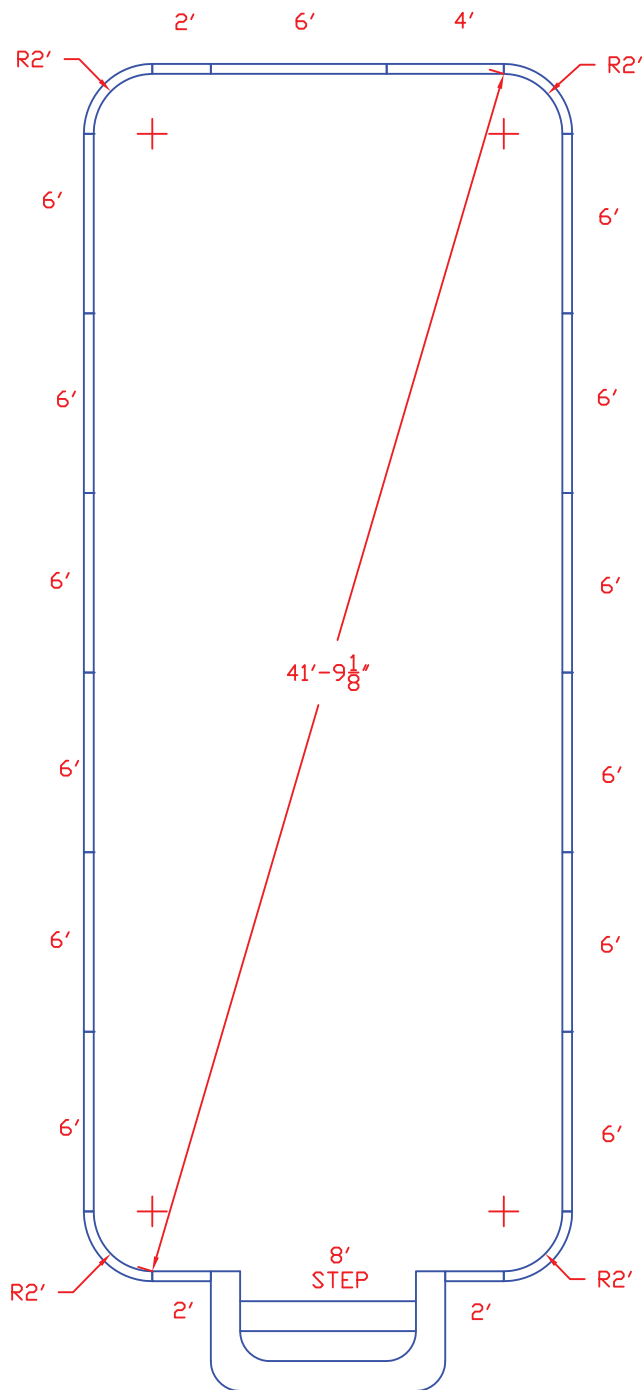
THIS DRAWING IS THE PROPERTY OF POOL BUILDERS SUPPLY AND IS LOANED FOR CONFIDENTIAL USE ONLY, AND SHOULD NOT BE COPIED OR USED FOR ANY PURPOSE DETRIMENTAL TO THE INTEREST OF POOL BUILDERS SUPPLY.

16' X 36' W/ 2'R
RECTANGLE - POLY

DATE	DRAWN BY	SIZE	SCALE	DWG NO.	REV
07/22/09	JMH	B	NTS	1 of 1	0

LIST OF MATERIALS

PART	QUANTITY	PART #
8' STEP	1	PBS-8
6' PLAIN	13	K23030
4' PLAIN	1	K23032
2' PLAIN	3	K23028
2' RADIUS	4	K23033
BRACE	22	POLY BRACE



GENERAL NOTES:

This is a Type II pool & Type II diving equipment must be used. Consult diving board manufacturer's specifications.

This drawing is for illustrative purposes only. Dealer/ builder is an independent contractor and not an agent or employee of Pool Builders Supply. Pool Builders Supply makes no representations other than that which is stated in its written warranty. The customer or Dealer/ Builder is responsible for all construction methods and conforming to all building codes.

Safety rope must be installed 1ft. from break on shallow side.

"No diving" placards must be used in the shallow end.

PERIMETER: 108'-7"

S.A. : 636.57 SQ.FT.

VOLUME: 21,961 GAL.

**POOL BUILDERS
SUPPLY**

1124 CENTRAL AVE.
CHARLOTTE, NC
28204

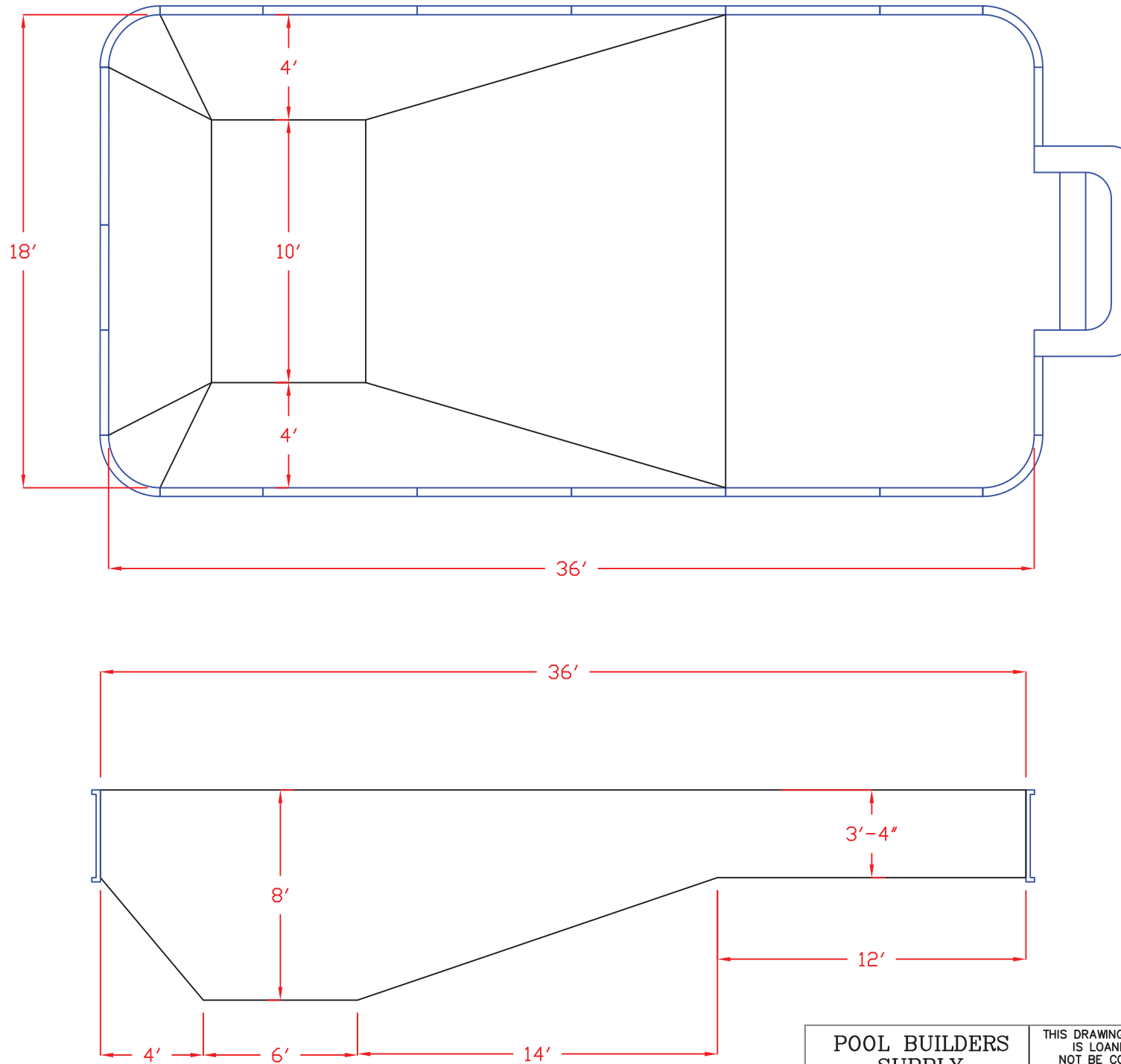
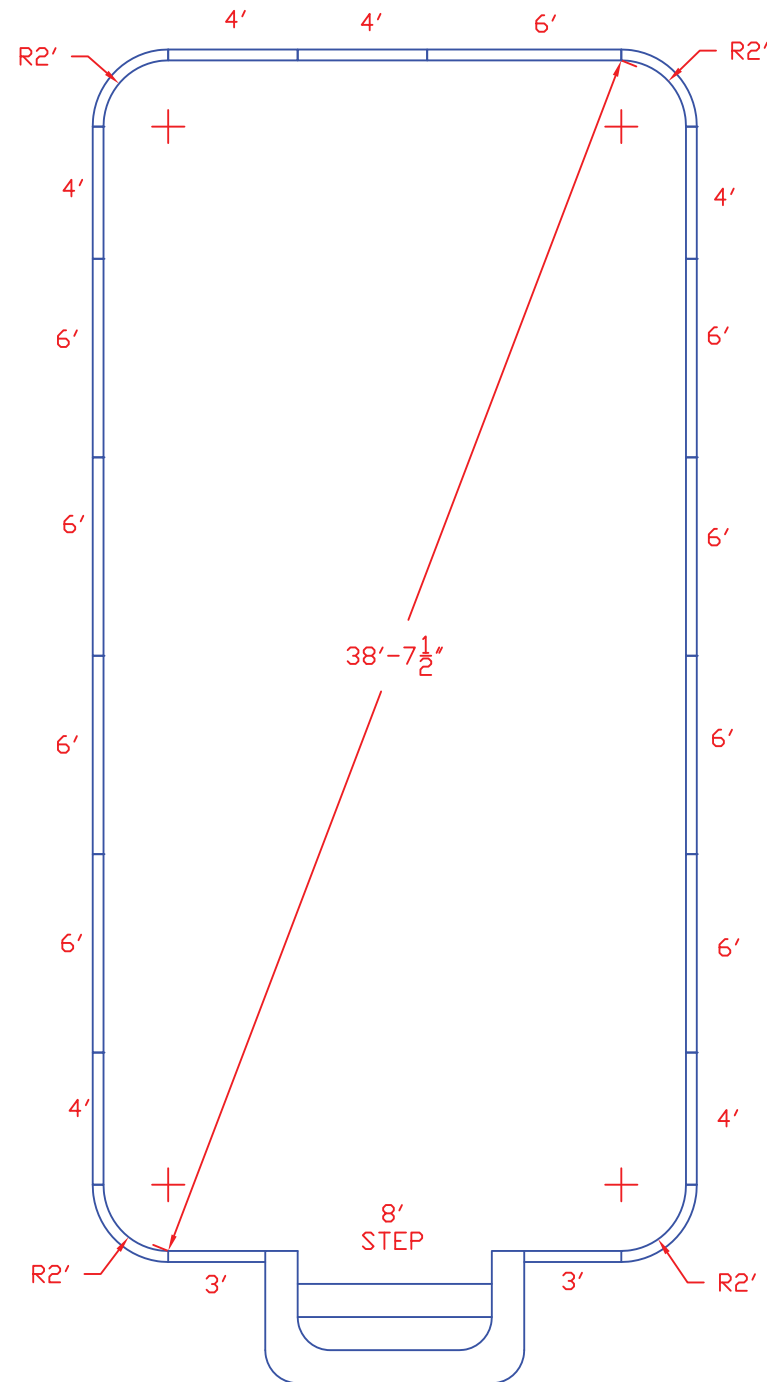
THIS DRAWING IS THE PROPERTY OF POOL BUILDERS SUPPLY AND IS LOANED FOR CONFIDENTIAL USE ONLY, AND SHOULD NOT BE COPIED OR USED FOR ANY PURPOSE DETRIMENTAL TO THE INTEREST OF POOL BUILDERS SUPPLY.

16' X 40' W/ 2'R
RECTANGLE - POLY

DATE 07/22/09	DRAWN BY JMH	SIZE B	SCALE NTS	DWG NO. 1 of 1	REV 0
------------------	-----------------	-----------	--------------	-------------------	----------

LIST OF MATERIALS

PART	QUANTITY	PART #
8' STEP	1	PBS-8
6' PLAIN	9	K23030
4' PLAIN	6	K23032
3' PLAIN	2	K23029
2' RADIUS	4	K23033
BRACE	22	POLY BRACE



GENERAL NOTES:

This is a Type II pool & Type II diving equipment must be used. Consult diving board manufacturer's specifications.

This drawing is for illustrative purposes only. Dealer/ builder is an independent contractor and not an agent or employee of Pool Builders Supply. Pool Builders Supply makes no representations other than that which is stated in its written warranty. The customer or Dealer/ Builder is responsible for all construction methods and conforming to all building codes.

Safety rope must be installed 1ft. from break on shallow side.

"No diving" placards must be used in the shallow end.

PERIMETER: 104'-7"

S.A. : 644.57 SQ.FT.

VOLUME: 22,237 GAL.

**POOL BUILDERS
SUPPLY**

1124 CENTRAL AVE.
CHARLOTTE, NC
28204

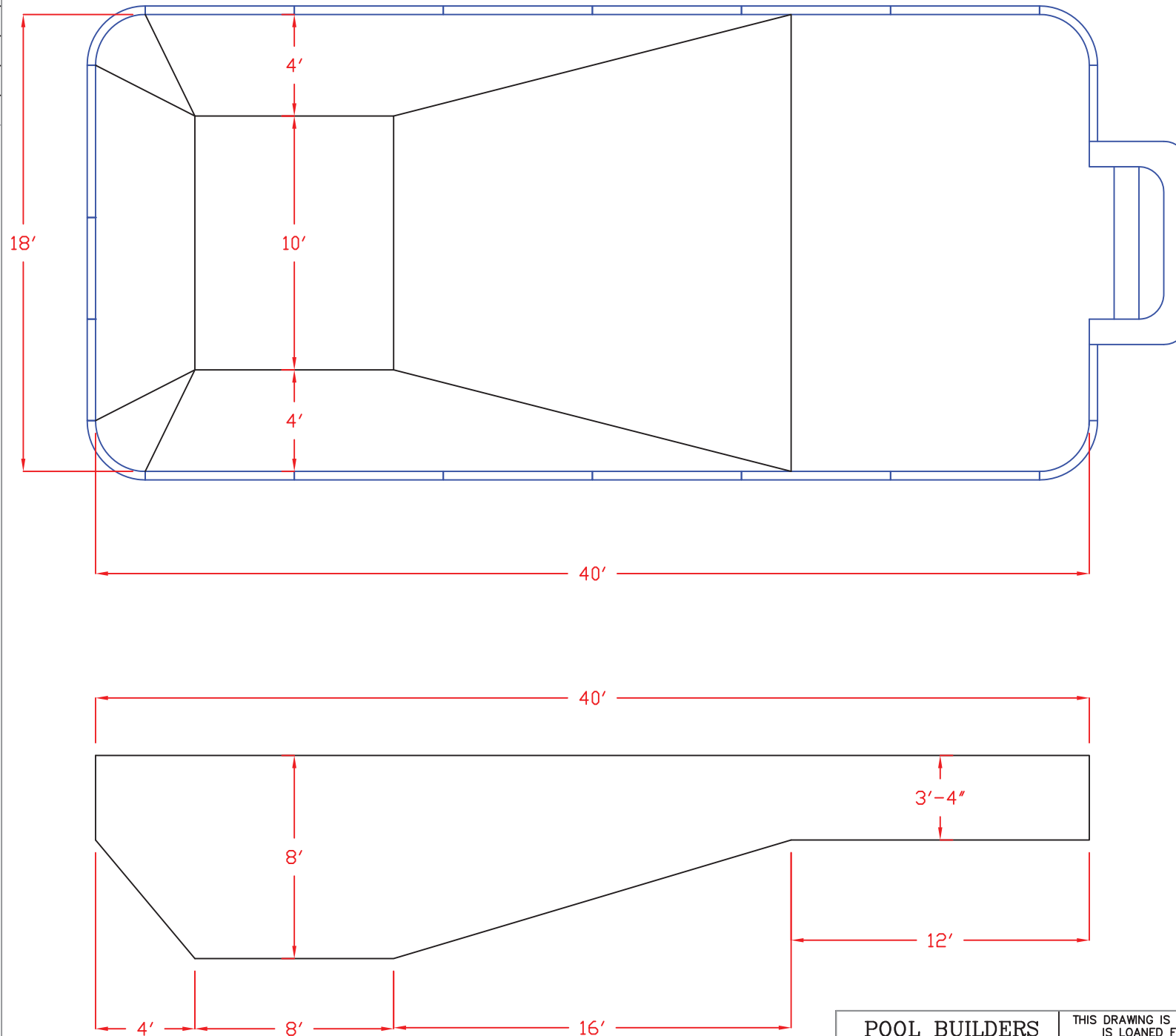
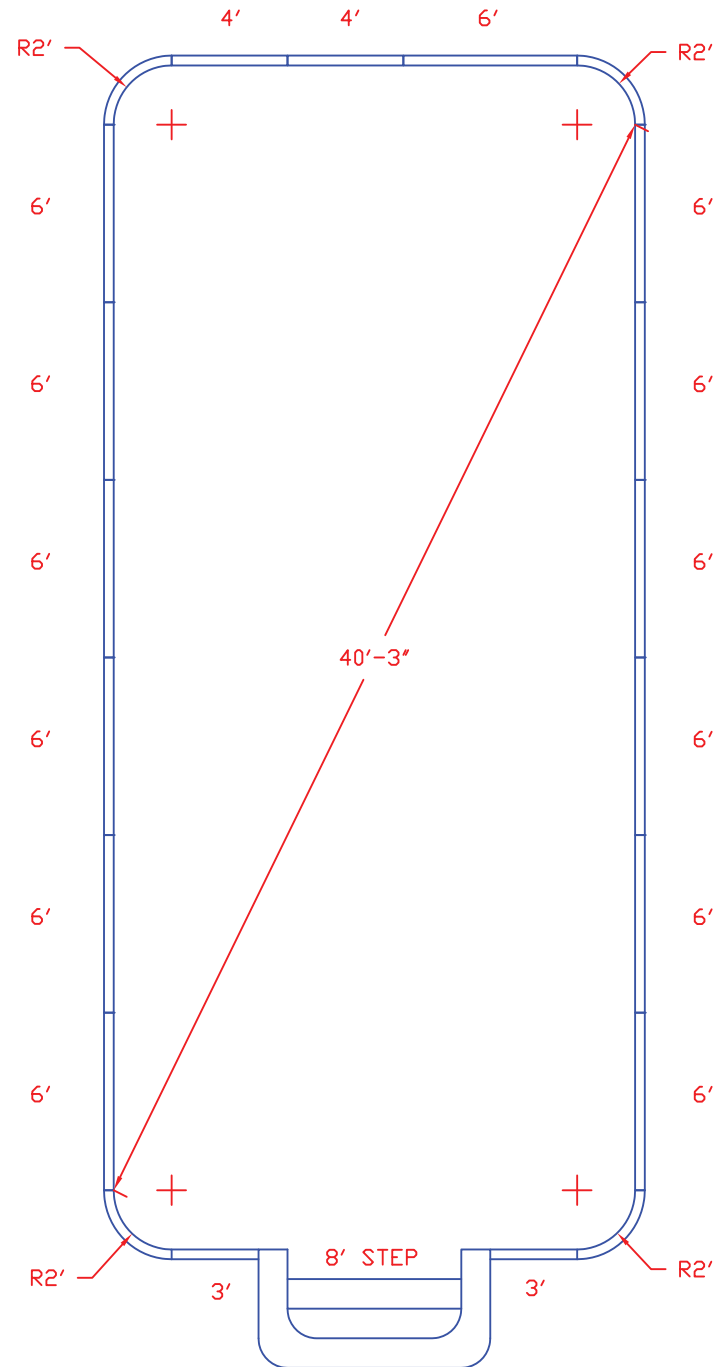
THIS DRAWING IS THE PROPERTY OF POOL BUILDERS SUPPLY AND IS LOANED FOR CONFIDENTIAL USE ONLY, AND SHOULD NOT BE COPIED OR USED FOR ANY PURPOSE DETRIMENTAL TO THE INTEREST OF POOL BUILDERS SUPPLY.

**18' X 36' W/ 2'R
RECTANGLE - POLY**

DATE 07/22/09	DRAWN BY JMH	SIZE B	SCALE NTS	DWG NO. 1 of 1	REV 0
------------------	-----------------	-----------	--------------	-------------------	----------

LIST OF MATERIALS

PART	QUANTITY	PART #
8' STEP	1	PBS-8
6' PLAIN	13	K23030
4' PLAIN	2	K23032
3' PLAIN	2	K23029
2' RADIUS	4	K23033
BRACE	22	POLY BRACE



GENERAL NOTES:

This is a Type II pool & Type II diving equipment must be used. Consult diving board manufacturer's specifications.

This drawing is for illustrative purposes only. Dealer/ builder is an independent contractor and not an agent or employee of Pool Builders Supply. Pool Builders Supply makes no representations other than that which is stated in its written warranty. The customer or Dealer/ Builder is responsible for all construction methods and conforming to all building codes.

Safety rope must be installed 1ft. from break on shallow side.

"No diving" placards must be used in the shallow end.

PERIMETER: 112'-7"

S.A. : 716.57 SQ.FT.

VOLUME: 24,721 GAL.

**POOL BUILDERS
SUPPLY**

1124 CENTRAL AVE.
CHARLOTTE, NC
28204

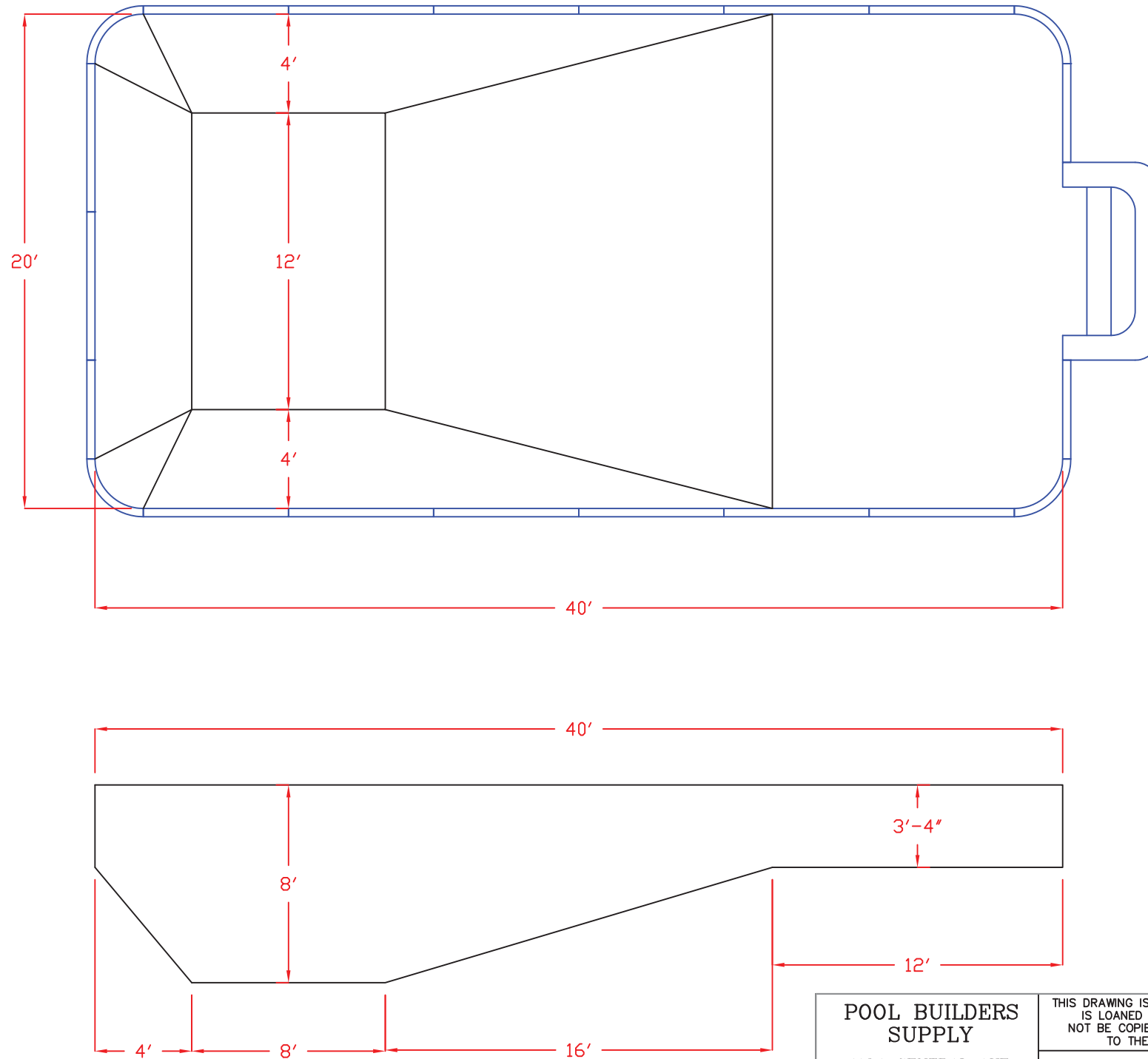
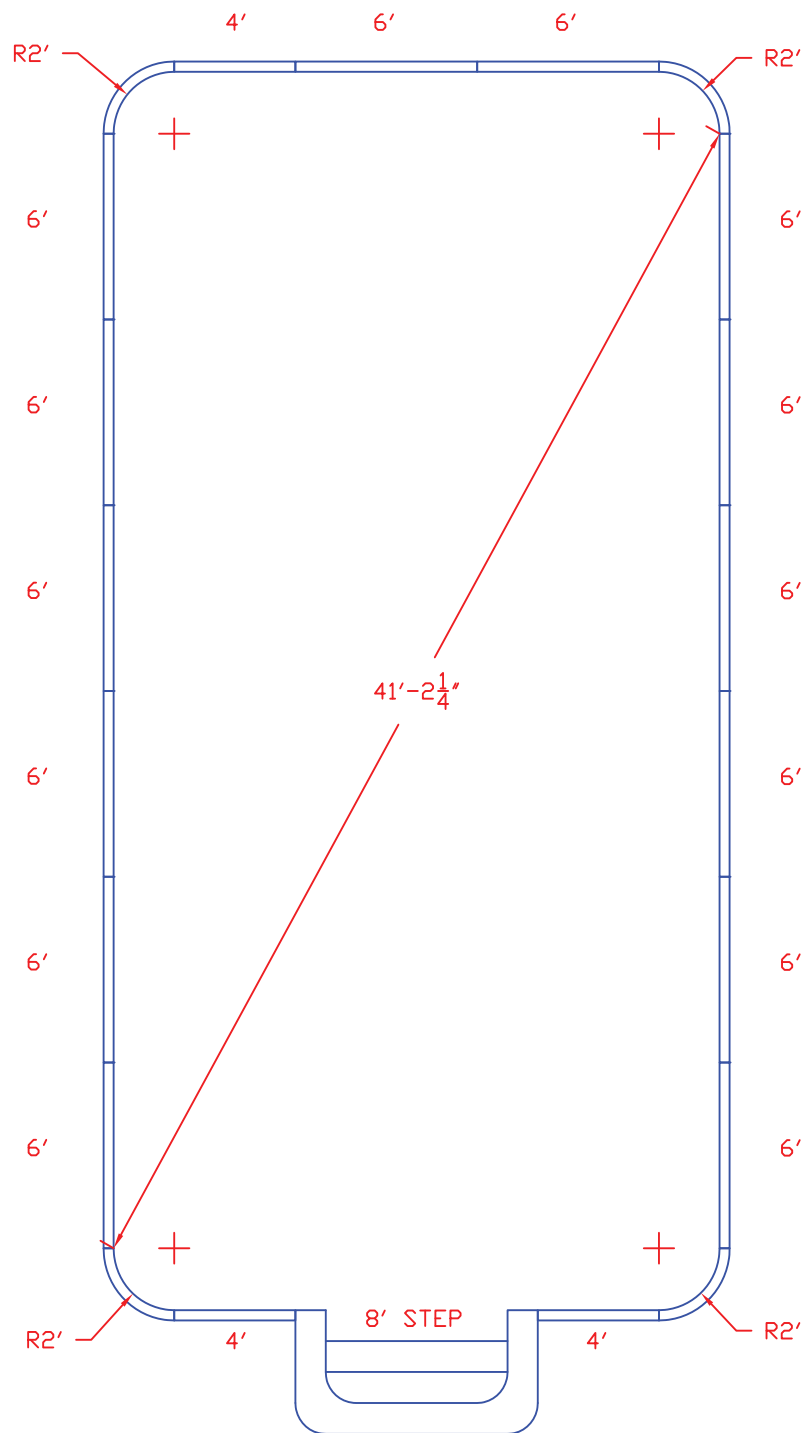
THIS DRAWING IS THE PROPERTY OF POOL BUILDERS SUPPLY AND IS LOANED FOR CONFIDENTIAL USE ONLY, AND SHOULD NOT BE COPIED OR USED FOR ANY PURPOSE DETRIMENTAL TO THE INTEREST OF POOL BUILDERS SUPPLY.

18' X 40' W/ 2'R
RECTANGLE - POLY

DATE	DRAWN BY	SIZE	SCALE	DWG NO.	REV
07/30/09	JMH	B	NTS	1 of 1	0

LIST OF MATERIALS

PART	QUANTITY	PART #
8' STEP	1	PBS-8
6' PLAIN	14	K23030
4' PLAIN	3	K23032
2' RADIUS	4	K23033
BRACE	22	POLY BRACE



GENERAL NOTES:

This is a Type II pool & Type II diving equipment must be used. Consult diving board manufacturer's specifications.

This drawing is for illustrative purposes only. Dealer/ builder is an independent contractor and not an agent or employee of Pool Builders Supply. Pool Builders Supply makes no representations other than that which is stated in its written warranty. The customer or Dealer/ Builder is responsible for all construction methods and conforming to all building codes.

Safety rope must be installed 1ft. from break on shallow side.

"No diving" placards must be used in the shallow end.

PERIMETER: 116'-7"

S.A. : 796.57 SQ.FT.

VOLUME: 27,481 GAL.

**POOL BUILDERS
SUPPLY**

1124 CENTRAL AVE.
CHARLOTTE, NC
28204

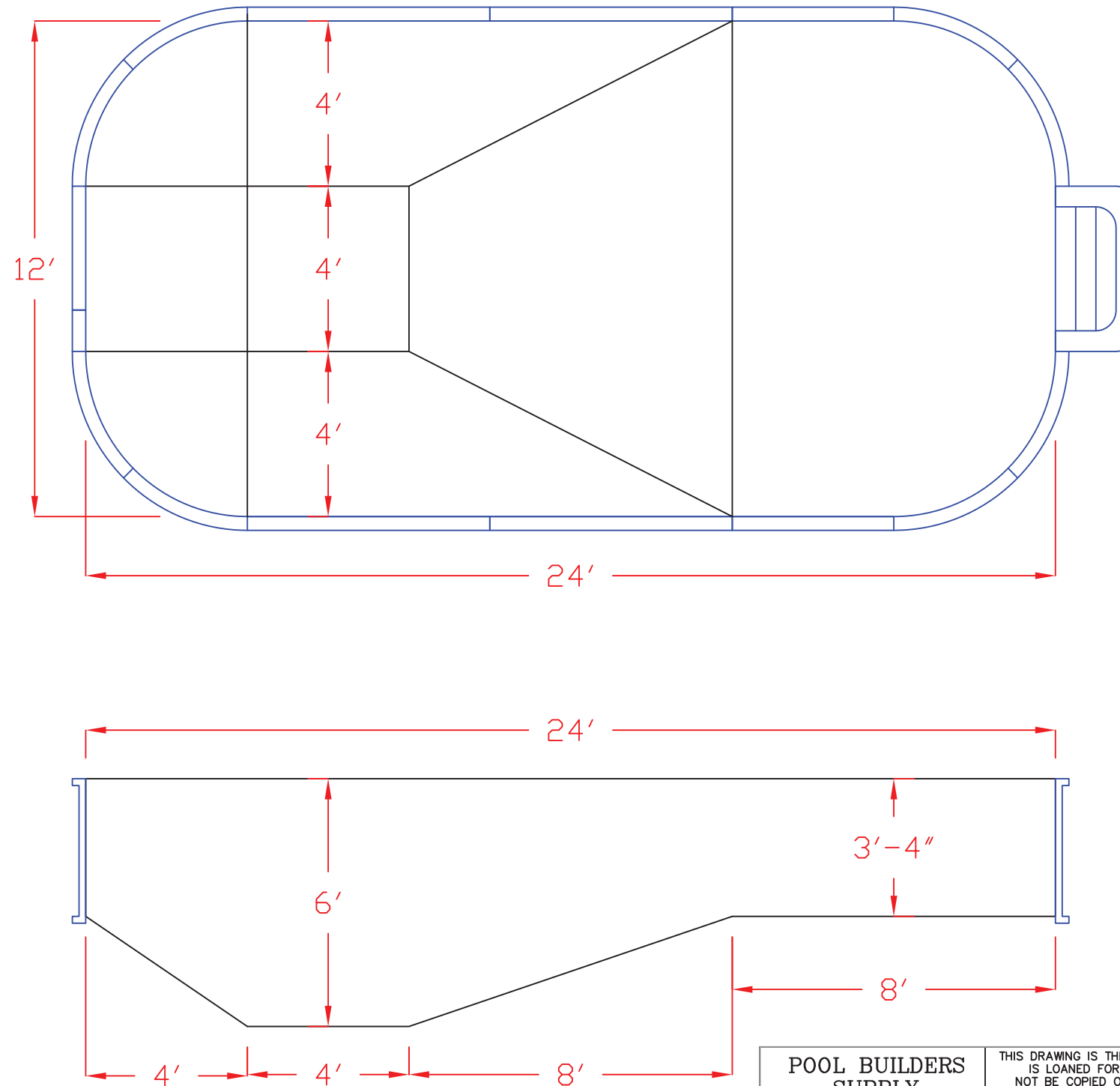
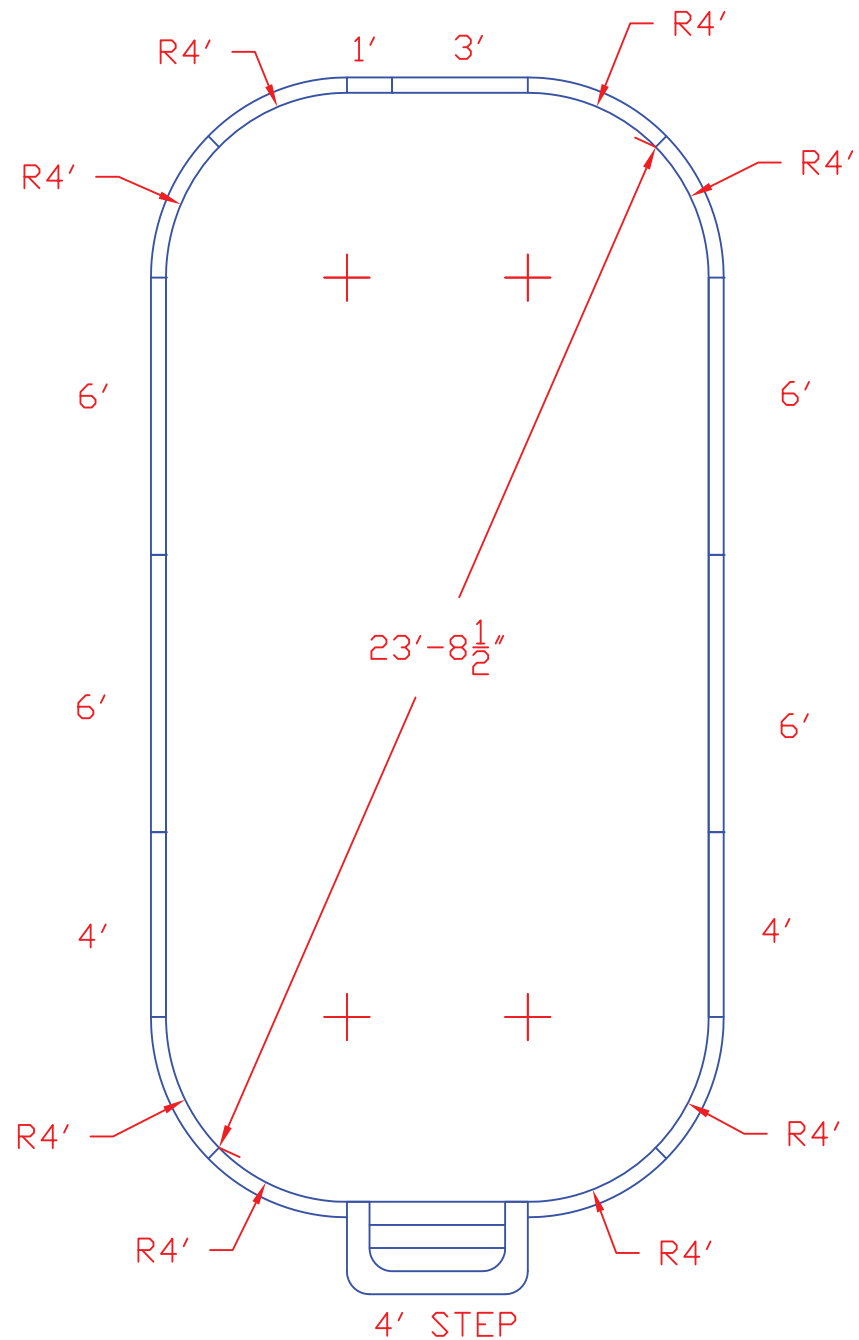
THIS DRAWING IS THE PROPERTY OF POOL BUILDERS SUPPLY AND IS LOANED FOR CONFIDENTIAL USE ONLY, AND SHOULD NOT BE COPIED OR USED FOR ANY PURPOSE DETRIMENTAL TO THE INTEREST OF POOL BUILDERS SUPPLY.

20' X 40' W/ 2'R
RECTANGLE - POLY

DATE 07/30/09	DRAWN BY JMH	SIZE B	SCALE NTS	DWG NO. 1 of 1	REV 0
------------------	-----------------	-----------	--------------	-------------------	----------

LIST OF MATERIALS

PART	QUANTITY	PART #
4' STEP	1	PBS-4
6' PLAIN	4	K23030
4' PLAIN	2	K23032
3' PLAIN	1	K23029
1' PLAIN	1	K23036
4' RADIUS	8	K23031
BRACE	13	POLY BRACE



GENERAL NOTES:
This is a Type 0 pool & NO DIVING IS ALLOWED.

This drawing is for illustrative purposes only. Dealer/ builder is an independent contractor and not an agent or employee of Pool Builders Supply. Pool Builders Supply makes no representations other than that which is stated in its written warranty. The customer or Dealer/ Builder is responsible for all construction methods and conforming to all building codes.

Safety rope must be installed 1ft. from break on shallow side.

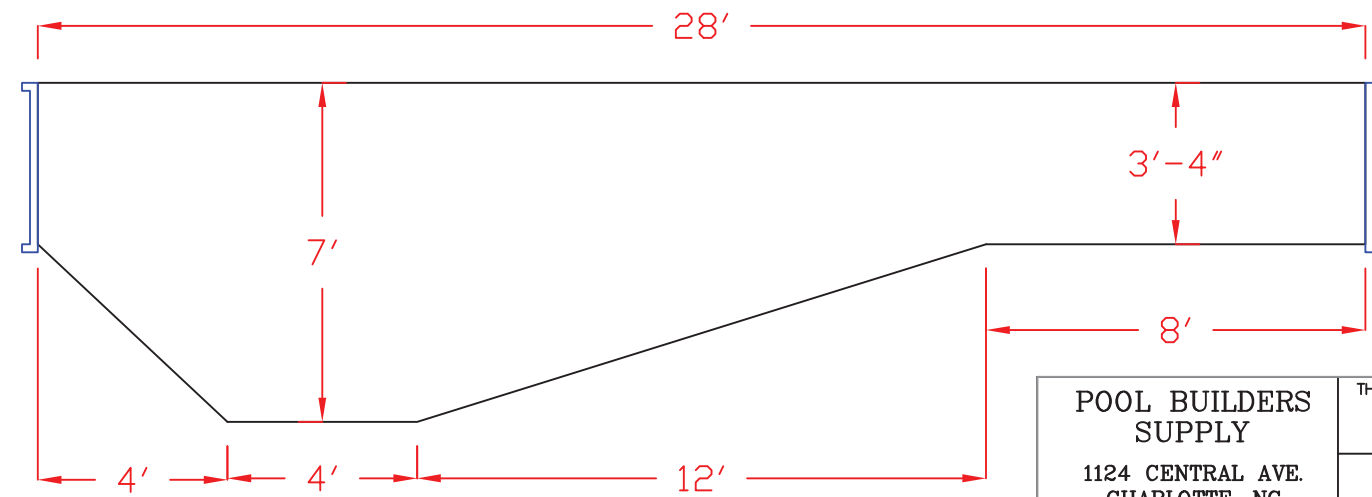
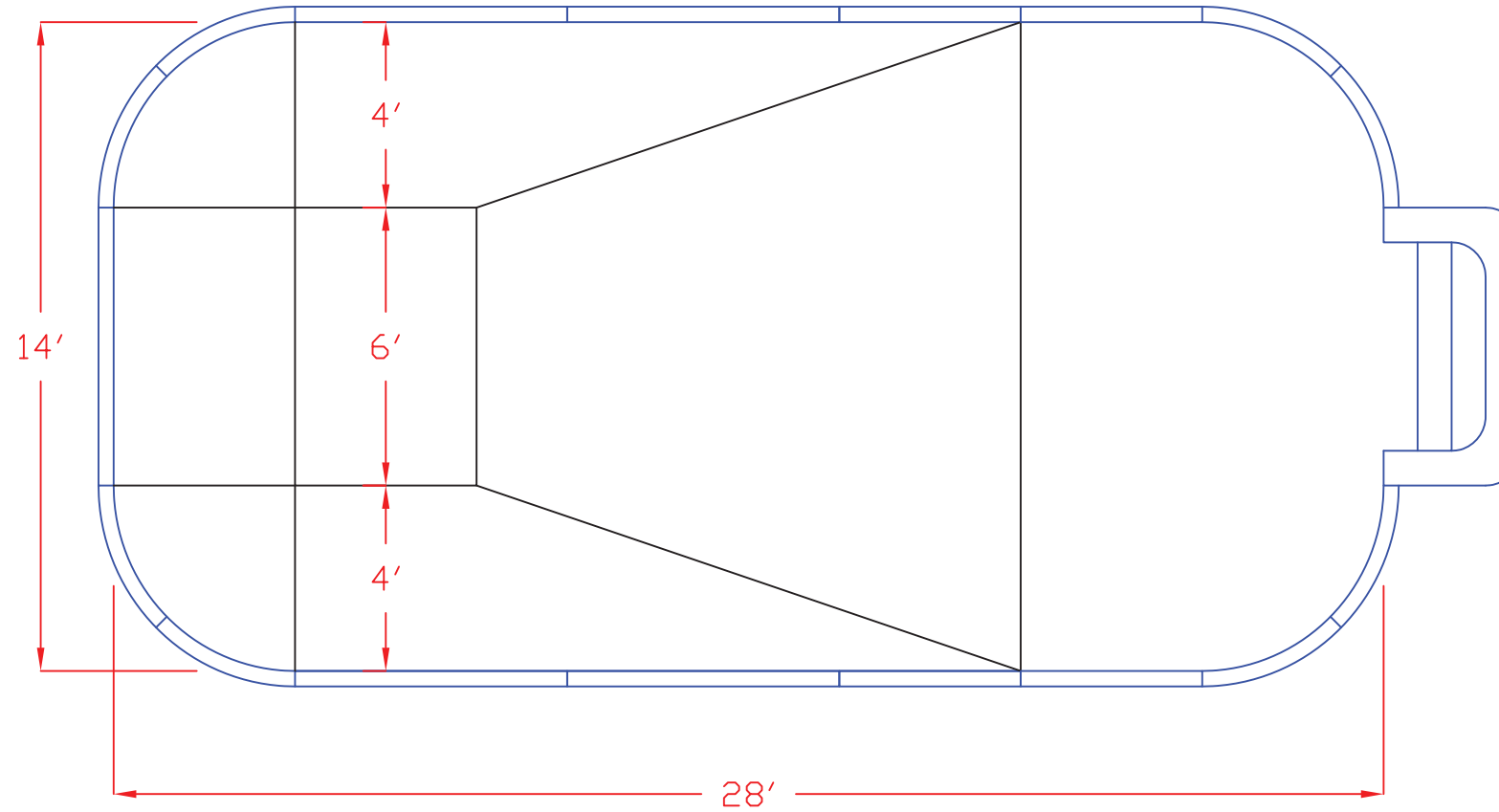
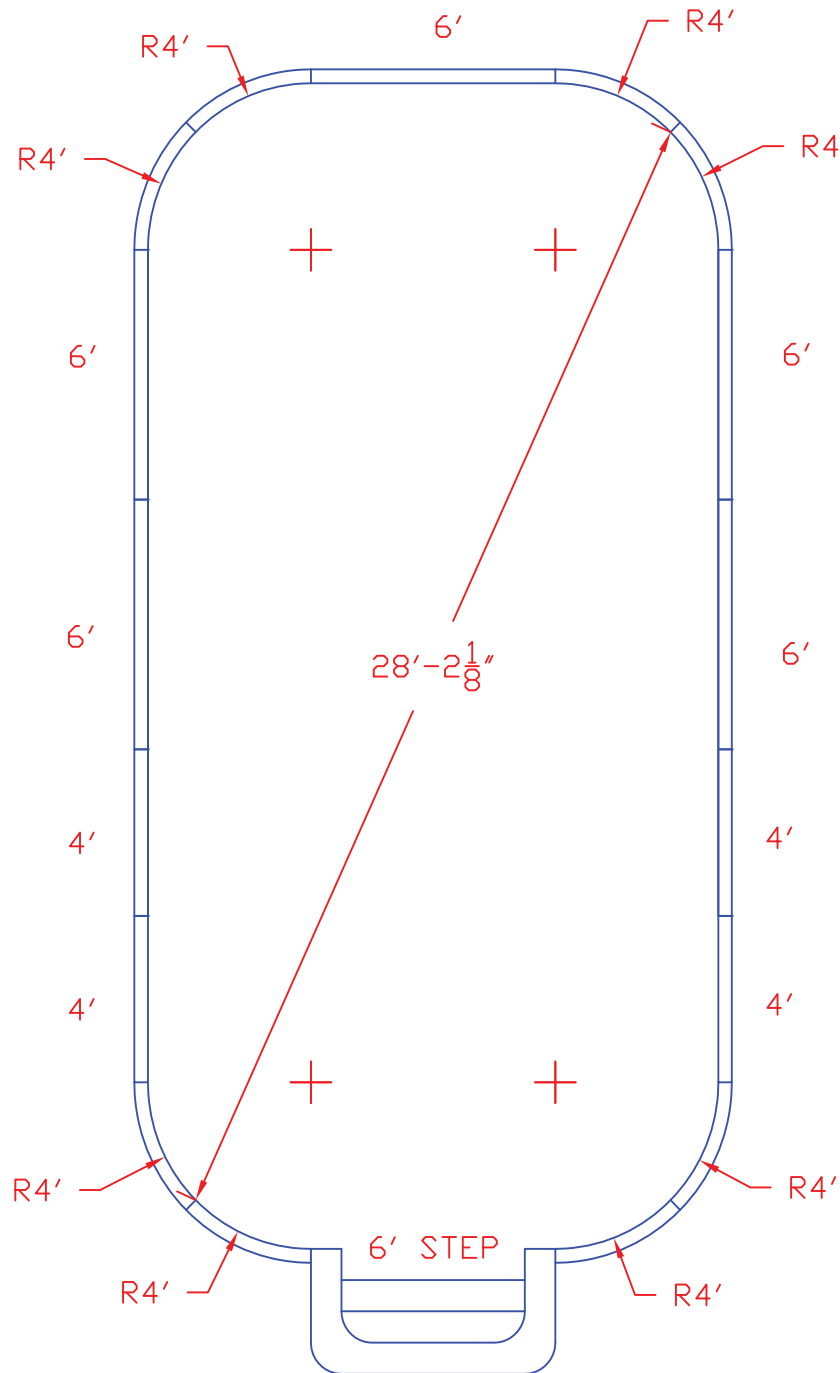
No diving placards must be used.

PERIMETER: 65'-2"
S.A. : 274.27 SQ.FT.
VOLUME: 8,228 GAL.

POOL BUILDERS SUPPLY 1124 CENTRAL AVE. CHARLOTTE, NC 28204		THIS DRAWING IS THE PROPERTY OF POOL BUILDERS SUPPLY AND IS LOANED FOR CONFIDENTIAL USE ONLY, AND SHOULD NOT BE COPIED OR USED FOR ANY PURPOSE DETRIMENTAL TO THE INTEREST OF POOL BUILDERS SUPPLY.	
DATE 07/31/09		DRAWN BY JMH	
SIZE B	SCALE NTS	DWG NO. 1 of 1	REV 0

LIST OF MATERIALS

PART	QUANTITY	PART #
6' STEP	1	PBS-6
6' PLAIN	5	K23030
4' PLAIN	4	K23032
4' RADIUS	8	K23031
BRACE	14	POLY BRACE



GENERAL NOTES:
This is a Type 0 pool & NO DIVING IS ALLOWED!

This drawing is for illustrative purposes only. Dealer/ builder is an independent contractor and not an agent or employee of Pool Builders Supply. Pool Builders Supply makes no representations other than that which is stated in its written warranty. The customer or Dealer/ Builder is responsible for all construction methods and conforming to all building codes.

Safety rope must be installed 1ft. from break on shallow side.

"No diving" placards must be used.

PERIMETER: 77'-2"
S.A. : 378.27 SQ.FT.
VOLUME: 11,348 GAL.

POOL BUILDERS SUPPLY
1124 CENTRAL AVE.
CHARLOTTE, NC
28204

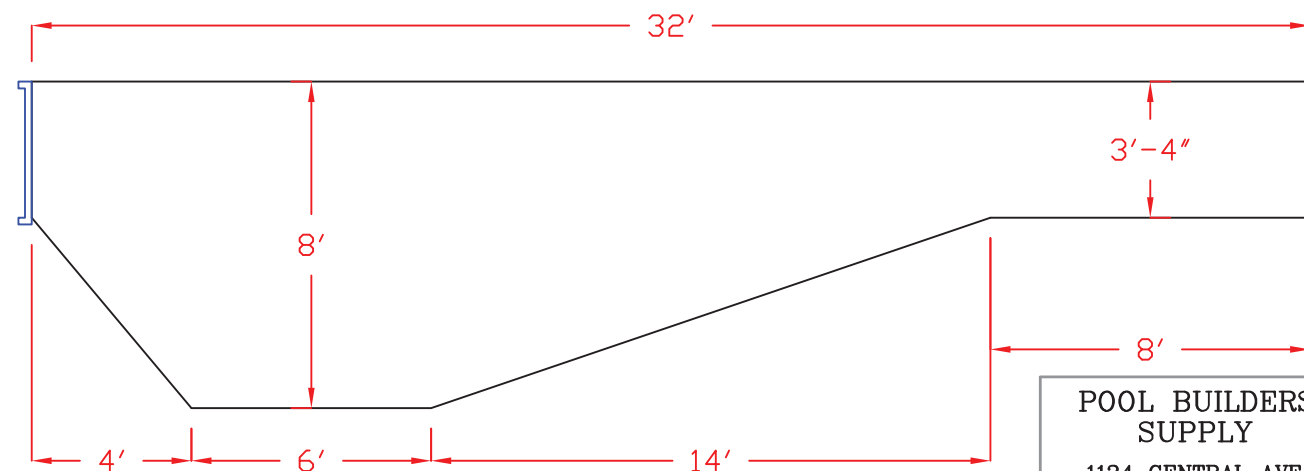
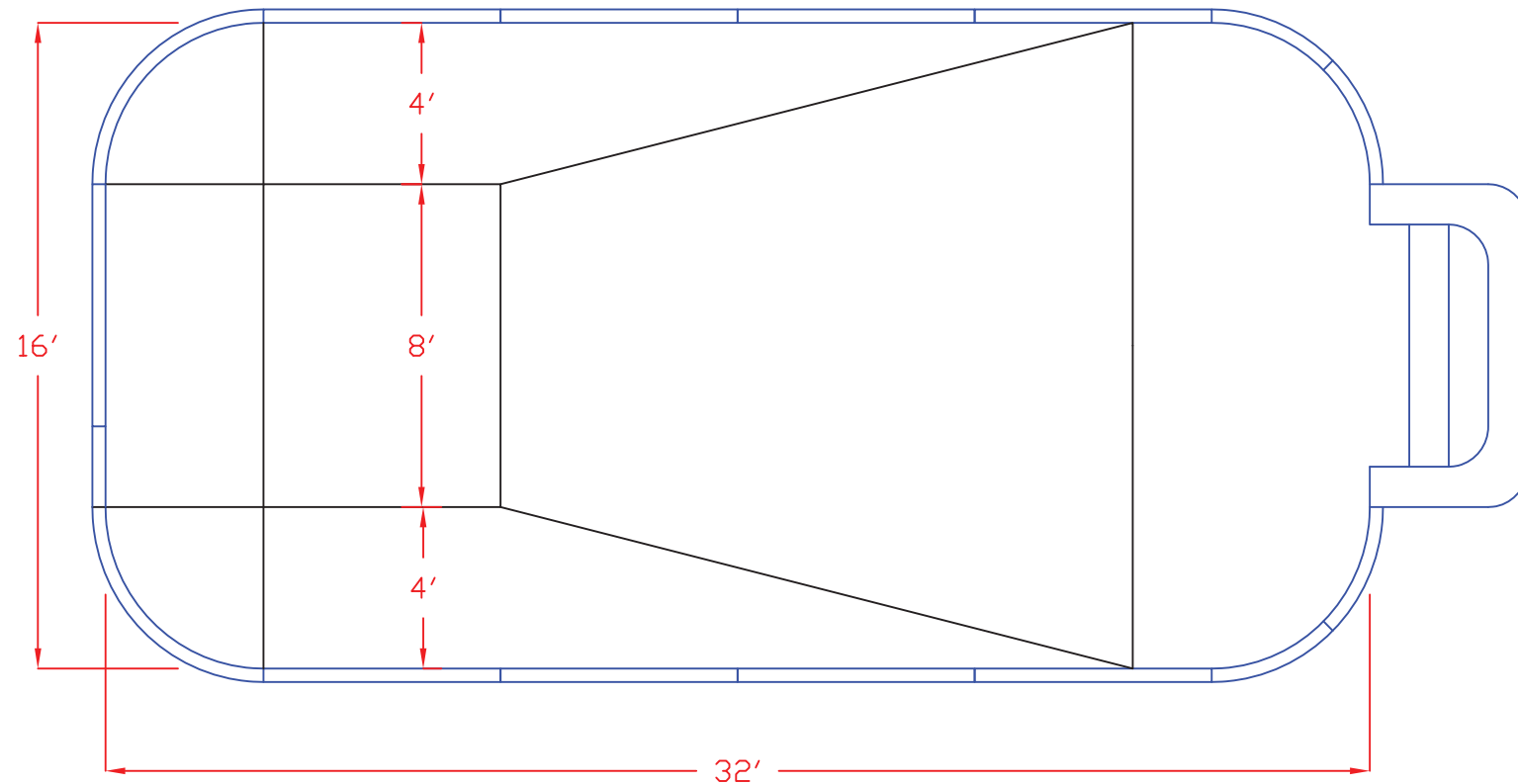
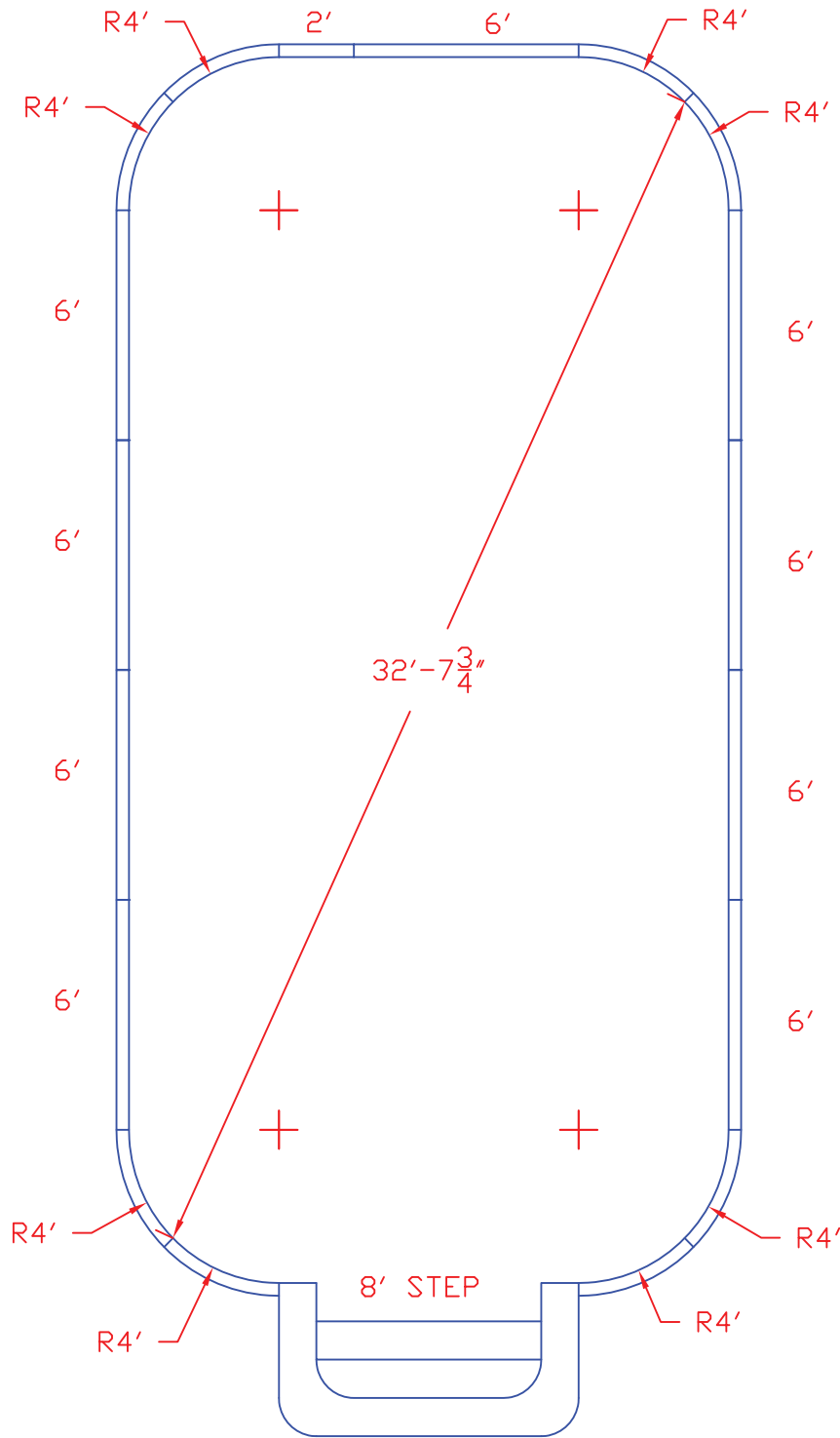
THIS DRAWING IS THE PROPERTY OF POOL BUILDERS SUPPLY AND IS LOANED FOR CONFIDENTIAL USE ONLY, AND SHOULD NOT BE COPIED OR USED FOR ANY PURPOSE DETRIMENTAL TO THE INTEREST OF POOL BUILDERS SUPPLY.

14' X 28' W/ 4'R
RECTANGLE - POLY

DATE 07/31/09	DRAWN BY JMH	SIZE B	SCALE NTS	DWG NO. 1 of 1	REV 0
------------------	-----------------	-----------	--------------	-------------------	----------

LIST OF MATERIALS

PART	QUANTITY	PART #
8' STEP	1	PBS-8
6' PLAIN	9	K23030
2' PLAIN	1	K23028
4' RADIUS	8	K23031
BRACE	15	POLY BRACE



GENERAL NOTES:
 This is a Type II pool & Type II diving equipment must be used. Consult diving board manufacturer's specifications.

This drawing is for illustrative purposes only. Dealer/ builder is an independent contractor and not an agent or employee of Pool Builders Supply. Pool Builders Supply makes no representations other than that which is stated in its written warranty. The customer or Dealer/ Builder is responsible for all construction methods and conforming to all building codes.

Safety rope must be installed 1ft. from break on shallow side.

"No diving" placards must be used in the shallow end.

PERIMETER: 89'-2"

S.A. : 796.57 SQ.FT.

VOLUME: 27,481 GAL.

**POOL BUILDERS
 SUPPLY**

1124 CENTRAL AVE.
 CHARLOTTE, NC
 28204

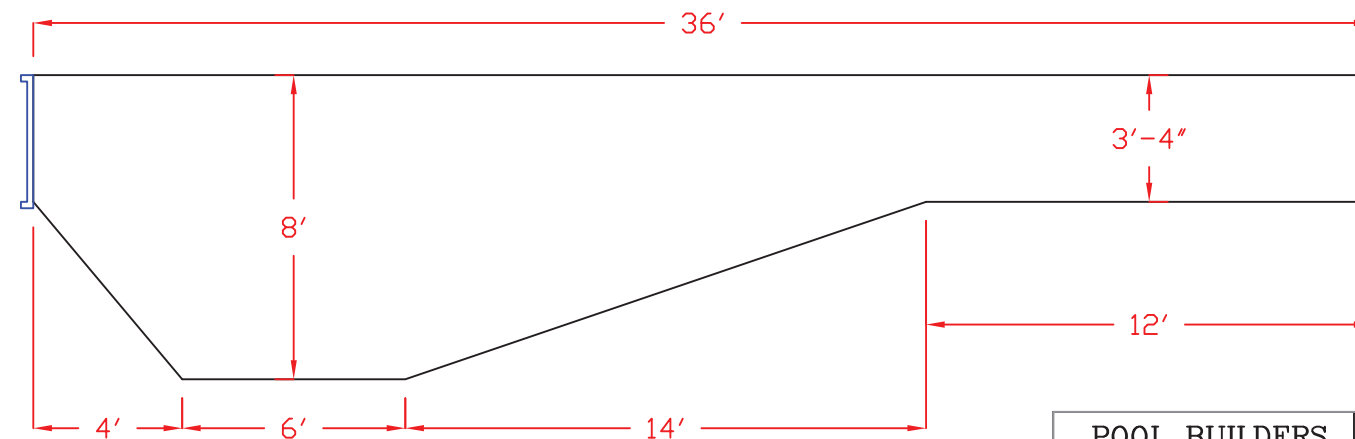
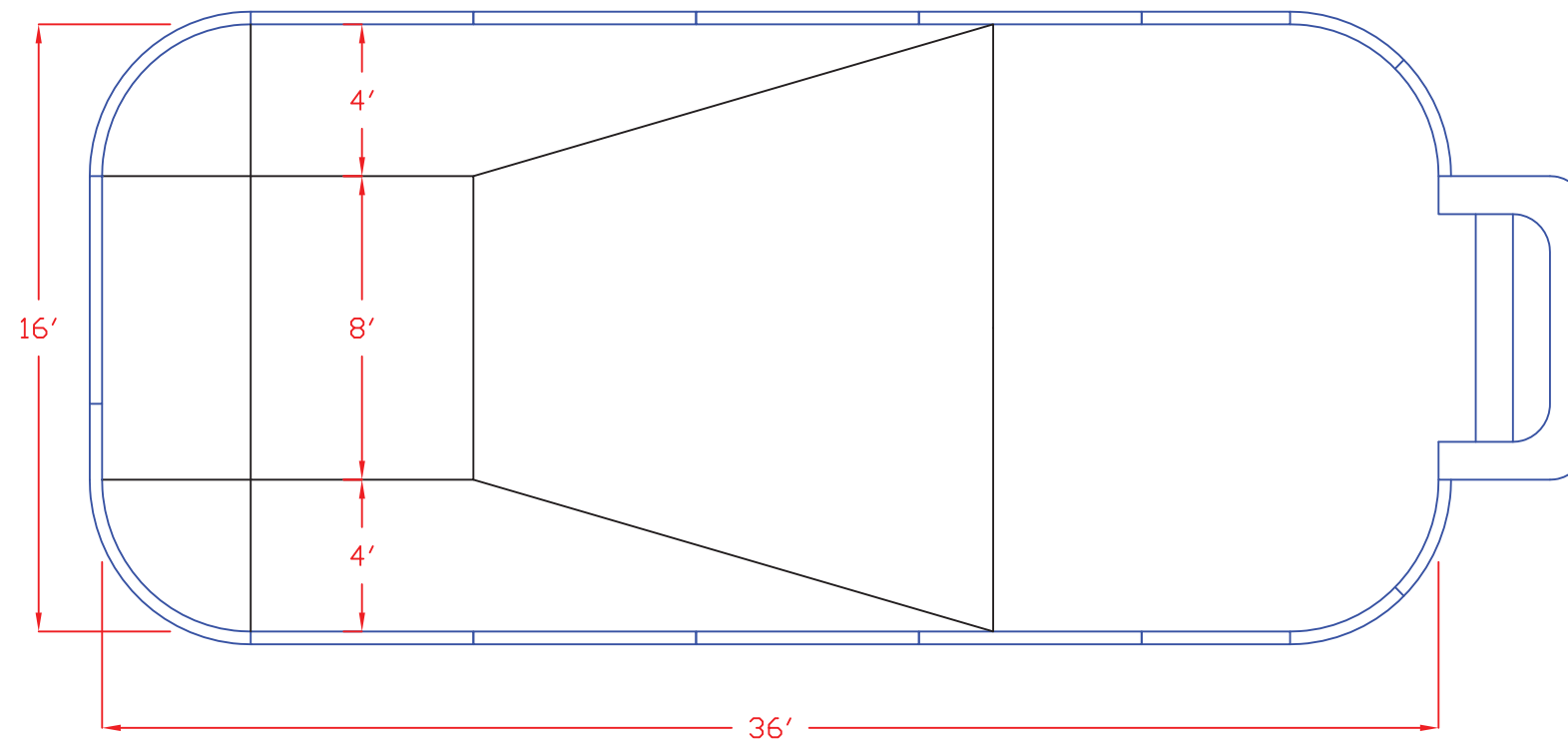
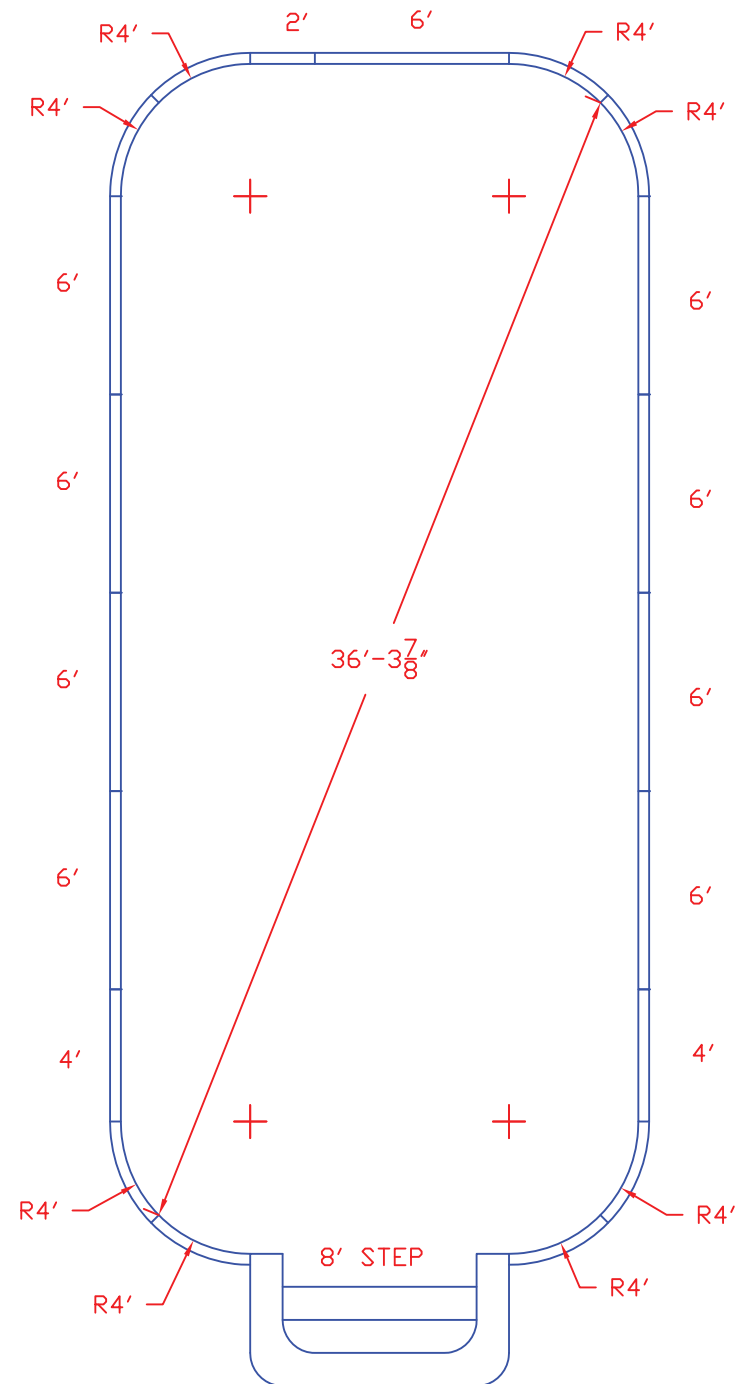
THIS DRAWING IS THE PROPERTY OF POOL BUILDERS SUPPLY AND IS LOANED FOR CONFIDENTIAL USE ONLY, AND SHOULD NOT BE COPIED OR USED FOR ANY PURPOSE DETRIMENTAL TO THE INTEREST OF POOL BUILDERS SUPPLY.

16' X 32' W/ 4'R
 RECTANGLE - POLY

DATE	DRAWN BY	SIZE	SCALE	DWG NO.	REV
07/31/09	JMH	B	NTS	1 of 1	0

LIST OF MATERIALS

PART	QUANTITY	PART #
8' STEP	1	PBS-8
6' PLAIN	9	K23030
4' PLAIN	2	K23032
2' PLAIN	1	K23028
4' RADIUS	8	K23031
BRACE	17	POLY BRACE



GENERAL NOTES:
 This is a Type II pool & Type II diving equipment must be used. Consult diving board manufacturer's specifications.

This drawing is for illustrative purposes only. Dealer/ builder is an independent contractor and not an agent or employee of Pool Builders Supply. Pool Builders Supply makes no representations other than that which is stated in its written warranty. The customer or Dealer/ Builder is responsible for all construction methods and conforming to all building codes.

Safety rope must be installed 1ft. from break on shallow side.

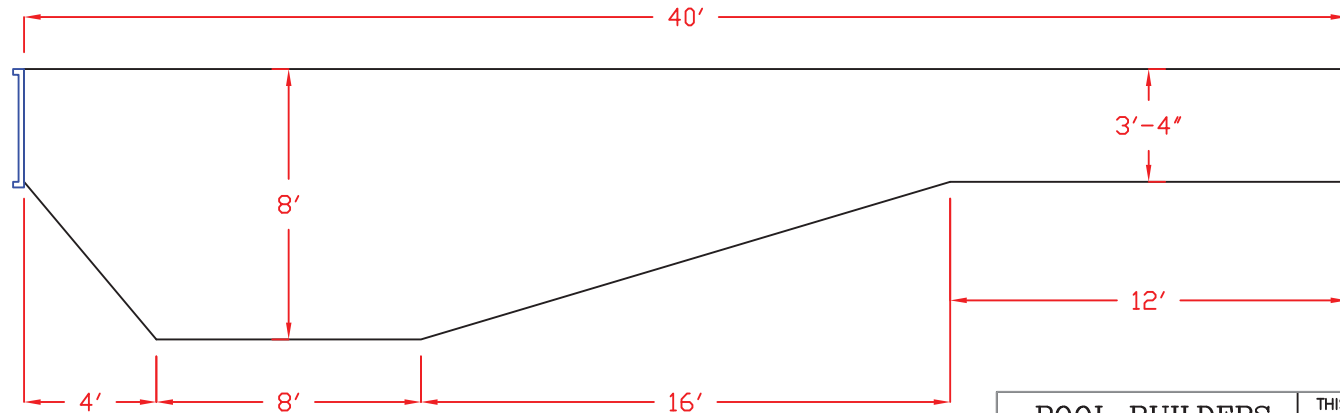
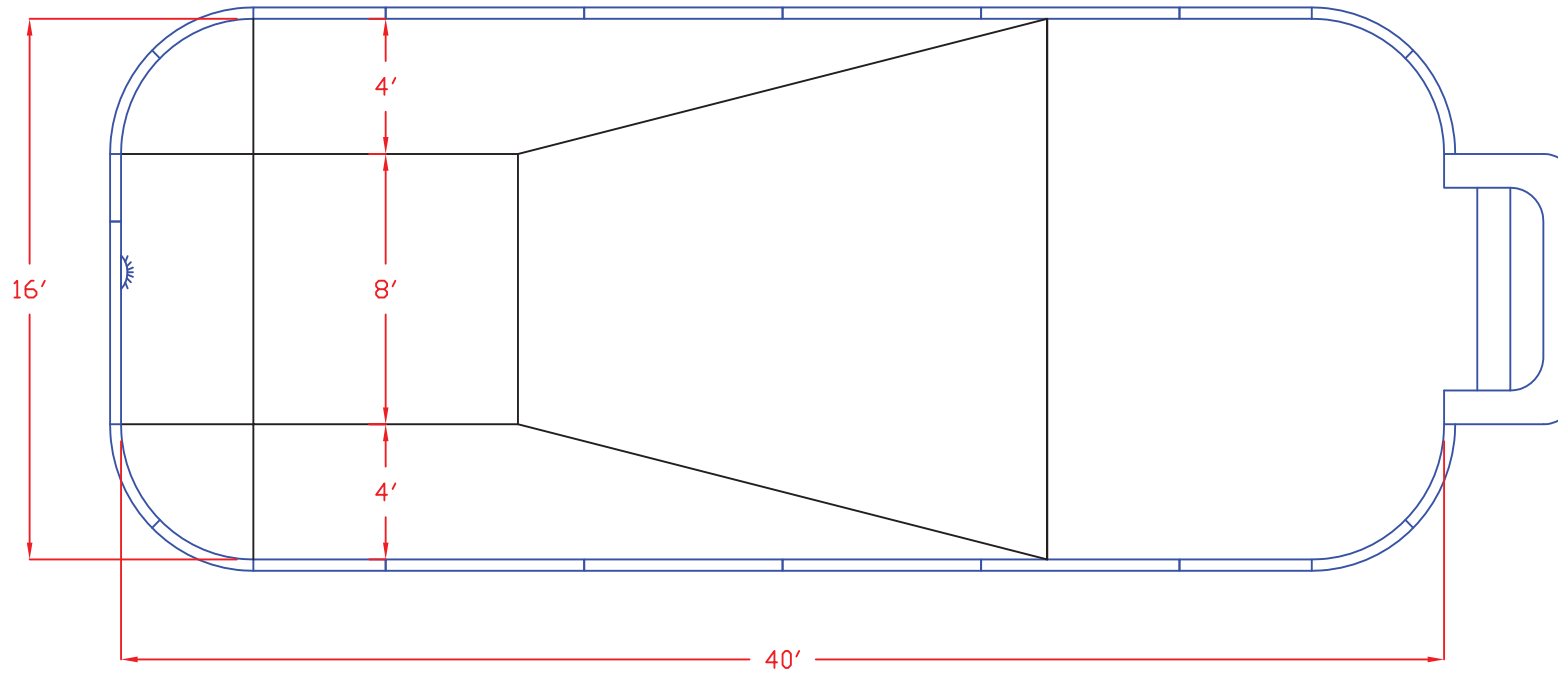
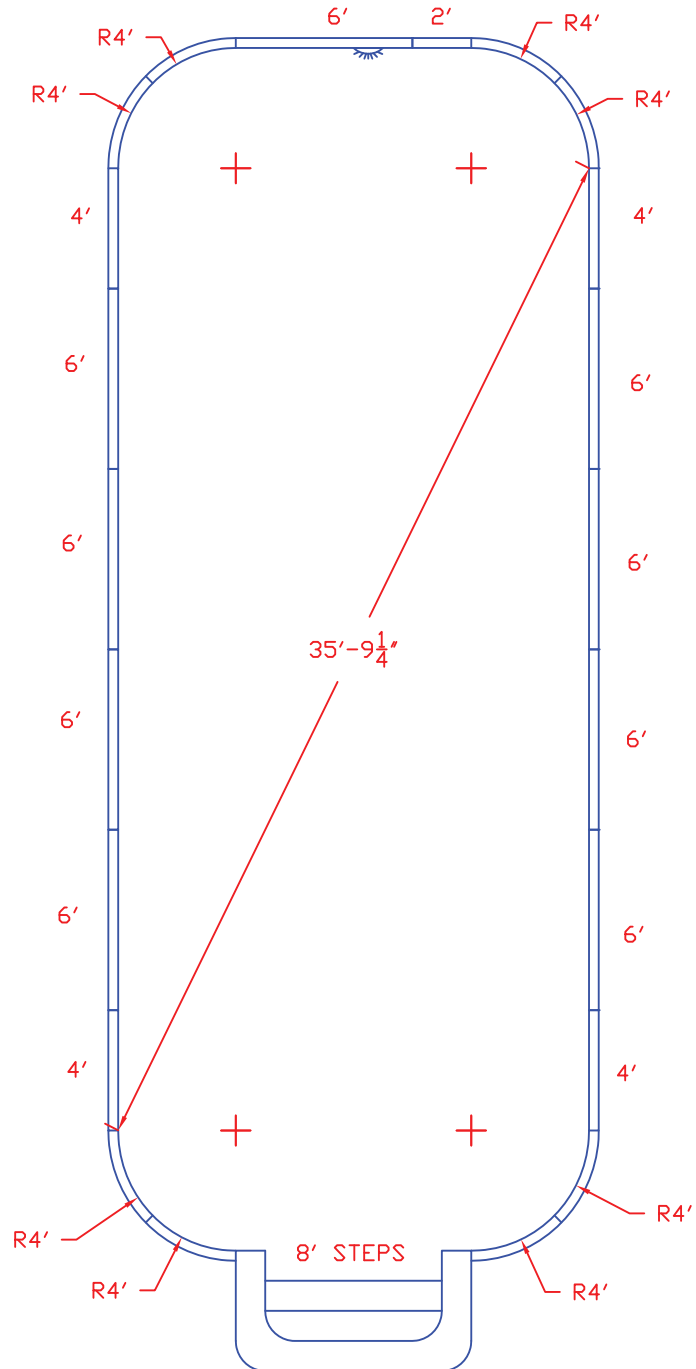
"No diving" placards must be used in the shallow end.

PERIMETER: 97'-2"
S.A. : 562.27 SQ.FT.
VOLUME: 19,398 GAL.

POOL BUILDERS SUPPLY 1124 CENTRAL AVE. CHARLOTTE, NC 28204		THIS DRAWING IS THE PROPERTY OF POOL BUILDERS SUPPLY AND IS LOANED FOR CONFIDENTIAL USE ONLY, AND SHOULD NOT BE COPIED OR USED FOR ANY PURPOSE DETRIMENTAL TO THE INTEREST OF POOL BUILDERS SUPPLY.			
		16' X 36' W/ 4'R RECTANGLE - POLY			
DATE 07/31/09	DRAWN BY JMH	SIZE B	SCALE NTS	DWG NO. 1 of 1	REV 0

LIST OF MATERIALS

PART	QUANTITY	PART #
8' STEP	1	PBS-8
6' PLAIN	9	K23030
4' PLAIN	4	K23032
4' RADIUS	8	K23031
2' PLAIN	1	K23028
BRACE	19	POLY BRACE



GENERAL NOTES:

This is a Type II pool & Type II diving equipment must be used. Consult diving board manufacturer's specifications.

This drawing is for illustrative purposes only. Dealer/ builder is an independent contractor and not an agent or employee of Pool Builders Supply. Pool Builders Supply makes no representations other than that which is stated in its written warranty. The customer or Dealer/ Builder is responsible for all construction methods and conforming to all building codes.

Safety rope must be installed 1ft. from break on shallow side.

"No diving" placards must be used in the shallow end.

PERIMETER: 105'-2"

S.A. : 626.27 SQ.FT.

VOLUME: 27,048 GAL.

**POOL BUILDERS
SUPPLY**

1124 CENTRAL AVE.
CHARLOTTE, NC
28204

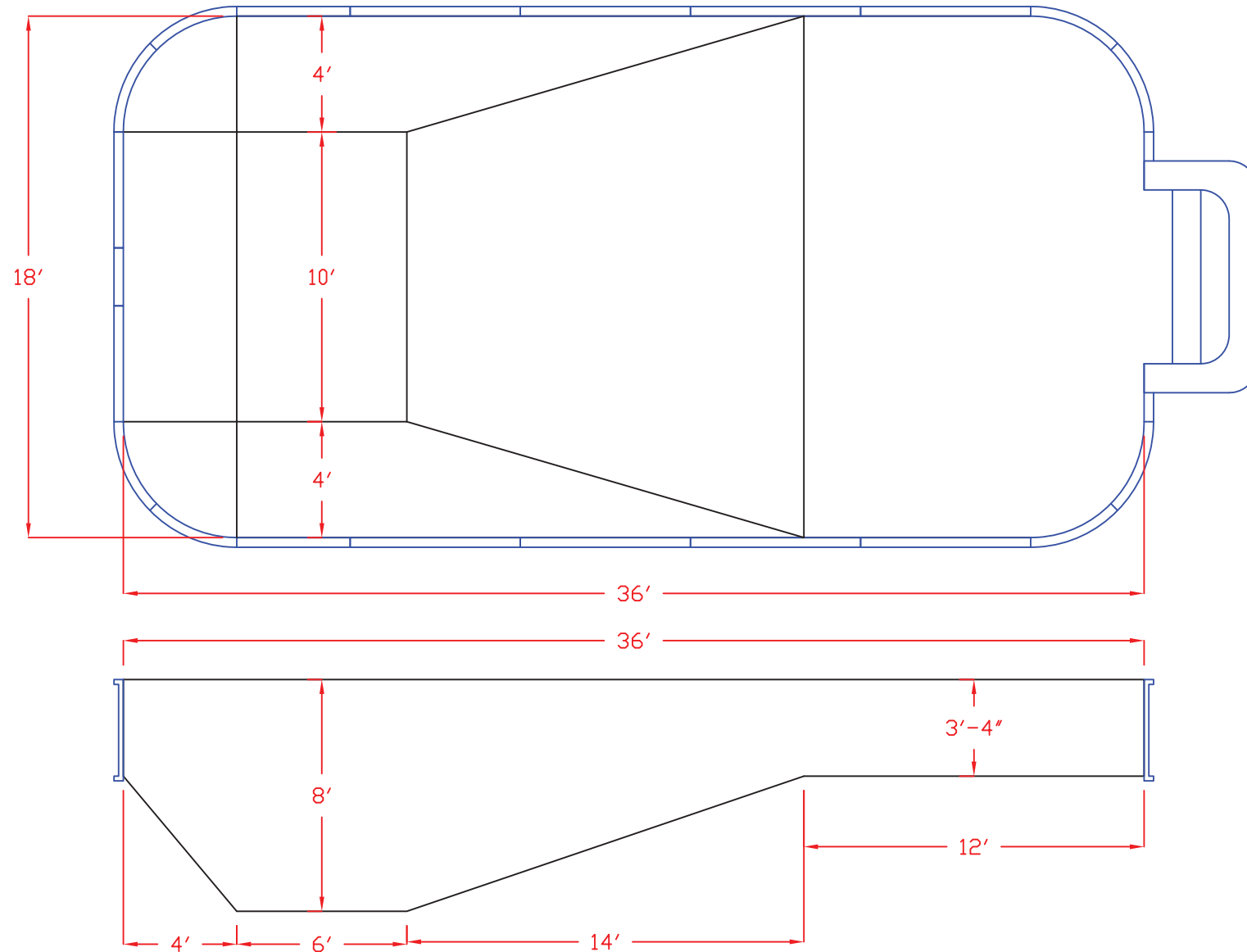
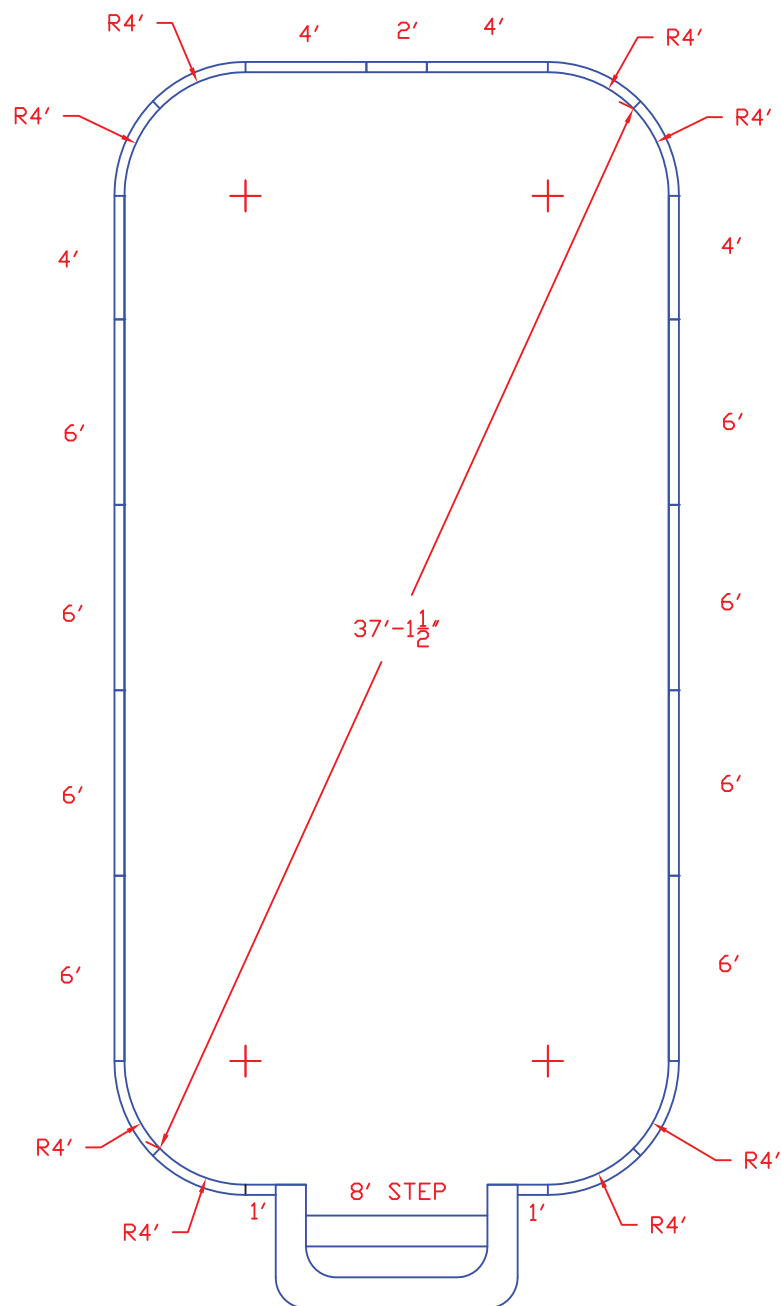
THIS DRAWING IS THE PROPERTY OF POOL BUILDERS SUPPLY AND IS LOANED FOR CONFIDENTIAL USE ONLY, AND SHOULD NOT BE COPIED OR USED FOR ANY PURPOSE DETRIMENTAL TO THE INTEREST OF POOL BUILDERS SUPPLY.

16' X 40' W/ 4'R
RECTANGLE - POLY

DATE 07/31/09	DRAWN BY JMH	SIZE B	SCALE NTS	DWG NO. 1 of 1	REV 0
------------------	-----------------	-----------	--------------	-------------------	----------

LIST OF MATERIALS

PART	QUANTITY	PART #
8' STEP	1	PBS-8
6' PLAIN	8	K23030
4' PLAIN	4	K23032
1' PLAIN	2	K23036
4' RADIUS	8	K23031
2' PLAIN	1	K23028
BRACE	20	POLY BRACE



GENERAL NOTES:

This is a Type II pool & Type II diving equipment must be used. Consult diving board manufacturer's specifications.

This drawing is for illustrative purposes only. Dealer/ builder is an independent contractor and not an agent or employee of Pool Builders Supply. Pool Builders Supply makes no representations other than that which is stated in its written warranty. The customer or Dealer/ Builder is responsible for all construction methods and conforming to all building codes.

Safety rope must be installed 1ft. from break on shallow side.

"No diving" placards must be used in the shallow end.

PERIMETER: 101'-2"

S.A. : 634.27 SQ.FT.

VOLUME: 21,882 GAL.

Pool Builders Supply
1124 Central Ave.
Charlotte, NC 28204

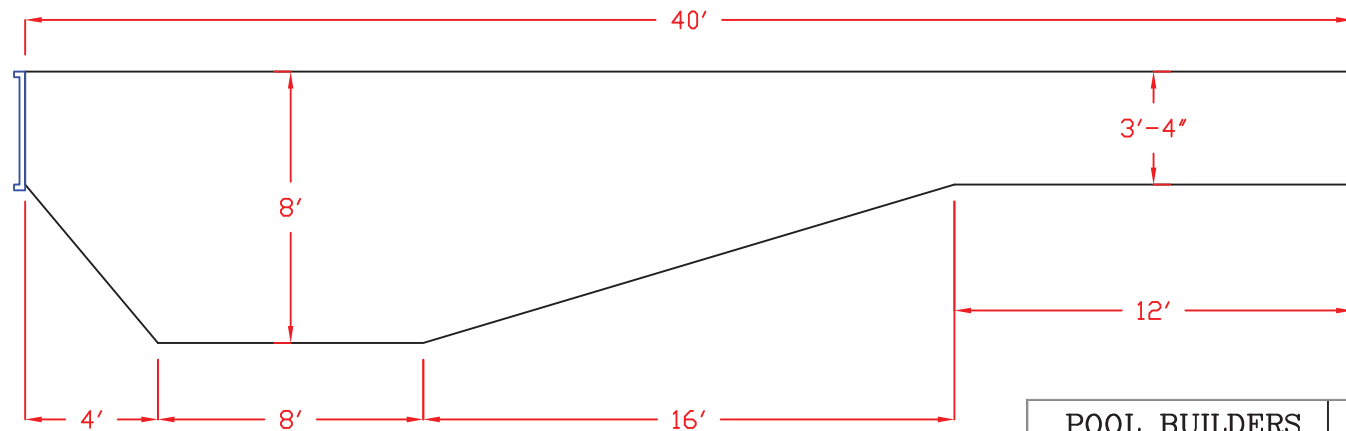
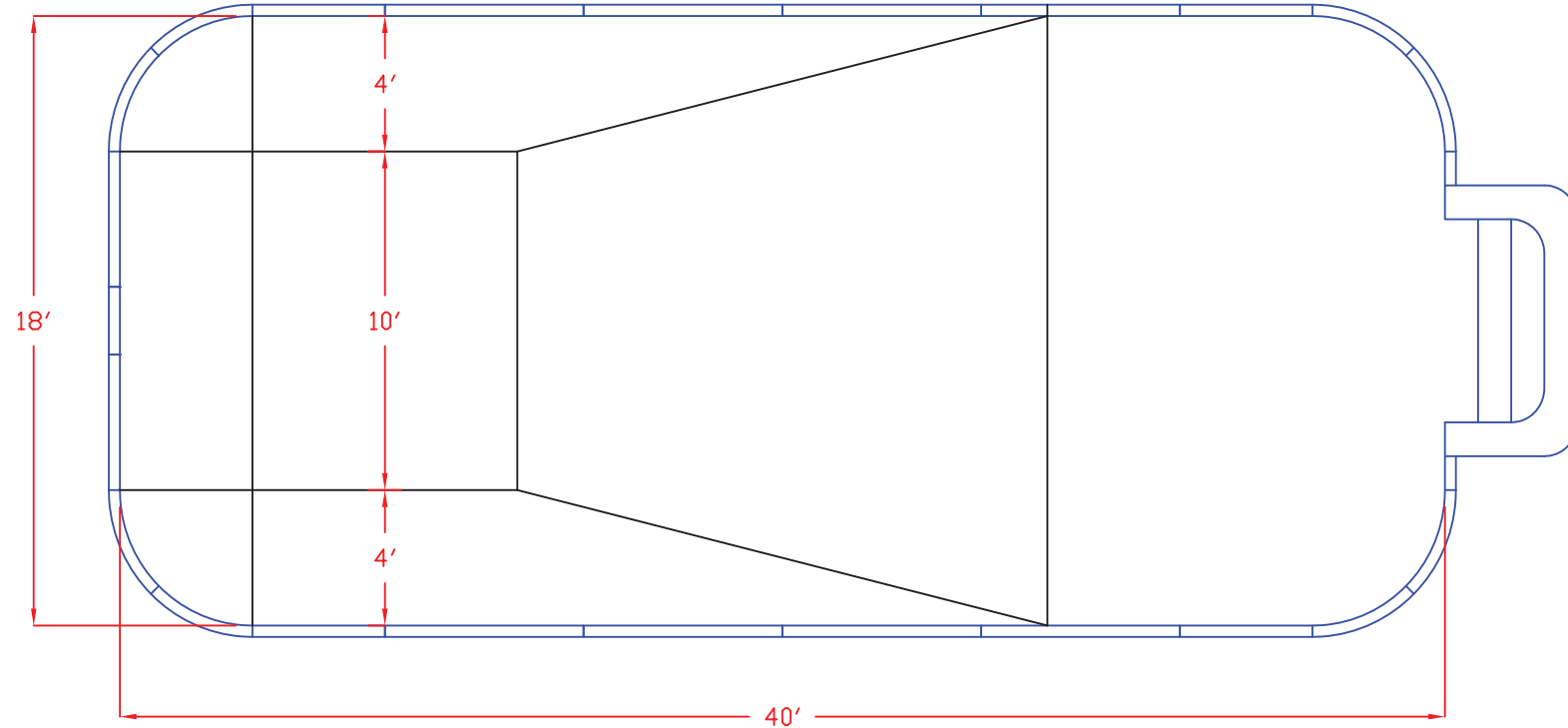
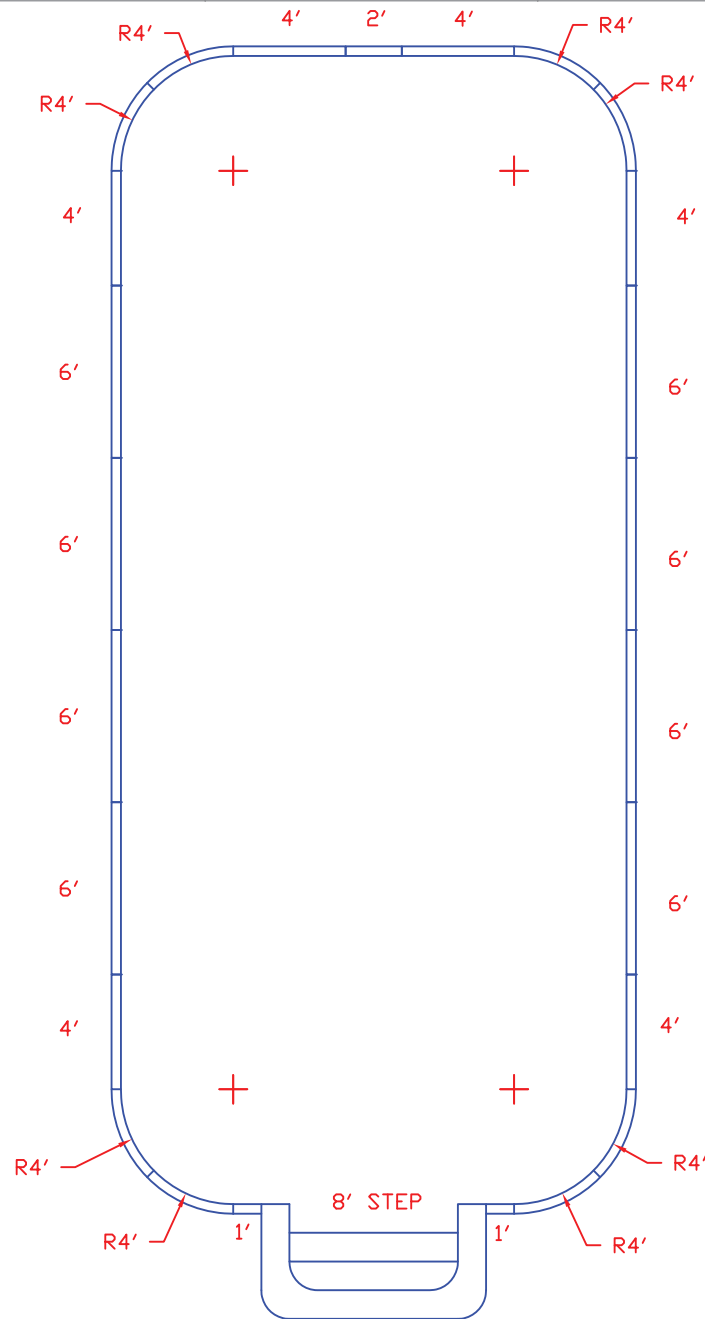
THIS DRAWING IS THE PROPERTY OF POOL BUILDERS SUPPLY AND IS LOANED FOR CONFIDENTIAL USE ONLY, AND SHOULD NOT BE COPIED OR USED FOR ANY PURPOSE DETRIMENTAL TO THE INTEREST OF POOL BUILDERS SUPPLY.

18' X 36' W/ 4'R
RECTANGLE - POLY

DATE 08/03/09	DRAWN BY JMH	SIZE B	SCALE NTS	DWG NO. 1 of 1	REV 0
------------------	-----------------	-----------	--------------	-------------------	----------

LIST OF MATERIALS

PART	QUANTITY	PART #
8' STEP	1	PBS-8
6' PLAIN	8	K23030
4' PLAIN	6	K23032
2' PLAIN	1	K23028
1' PLAIN	2	K23036
4' RADIUS	8	K23031
BRACE	22	POLY BRACE



GENERAL NOTES:

This is a Type II pool & Type II diving equipment must be used. Consult diving board manufacturer's specifications.

This drawing is for illustrative purposes only. Dealer/ builder is an independent contractor and not an agent or employee of Pool Builders Supply. Pool Builders Supply makes no representations other than that which is stated in its written warranty. The customer or Dealer/ Builder is responsible for all construction methods and conforming to all building codes.

Safety rope must be installed 1ft. from break on shallow side.

"No diving" placards must be used in the shallow end.

PERIMETER: 109'-2"

S.A. : 706.27 SQ.FT.

VOLUME: 24,366 GAL.

**POOL BUILDERS
SUPPLY**

1124 CENTRAL AVE.
CHARLOTTE, NC
28204

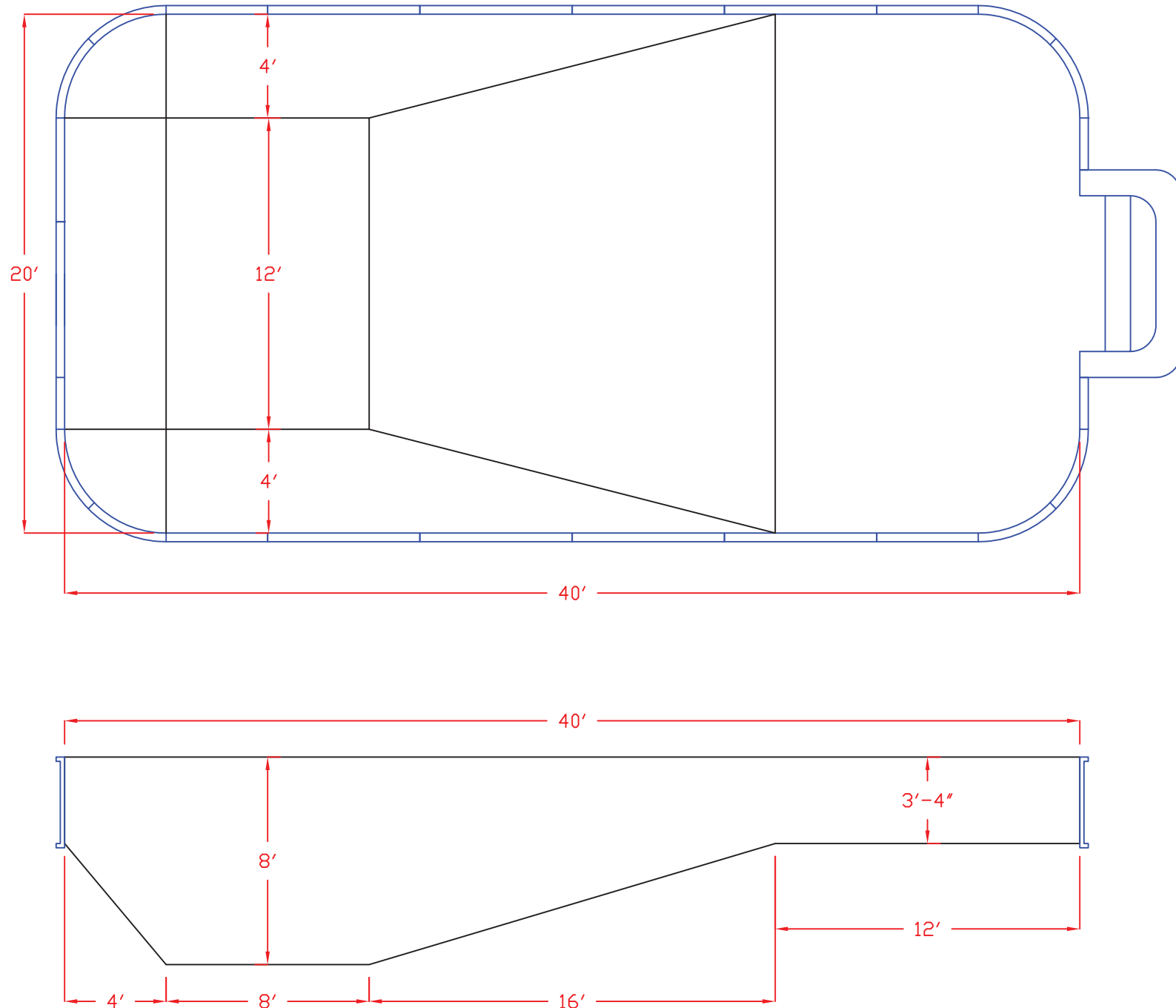
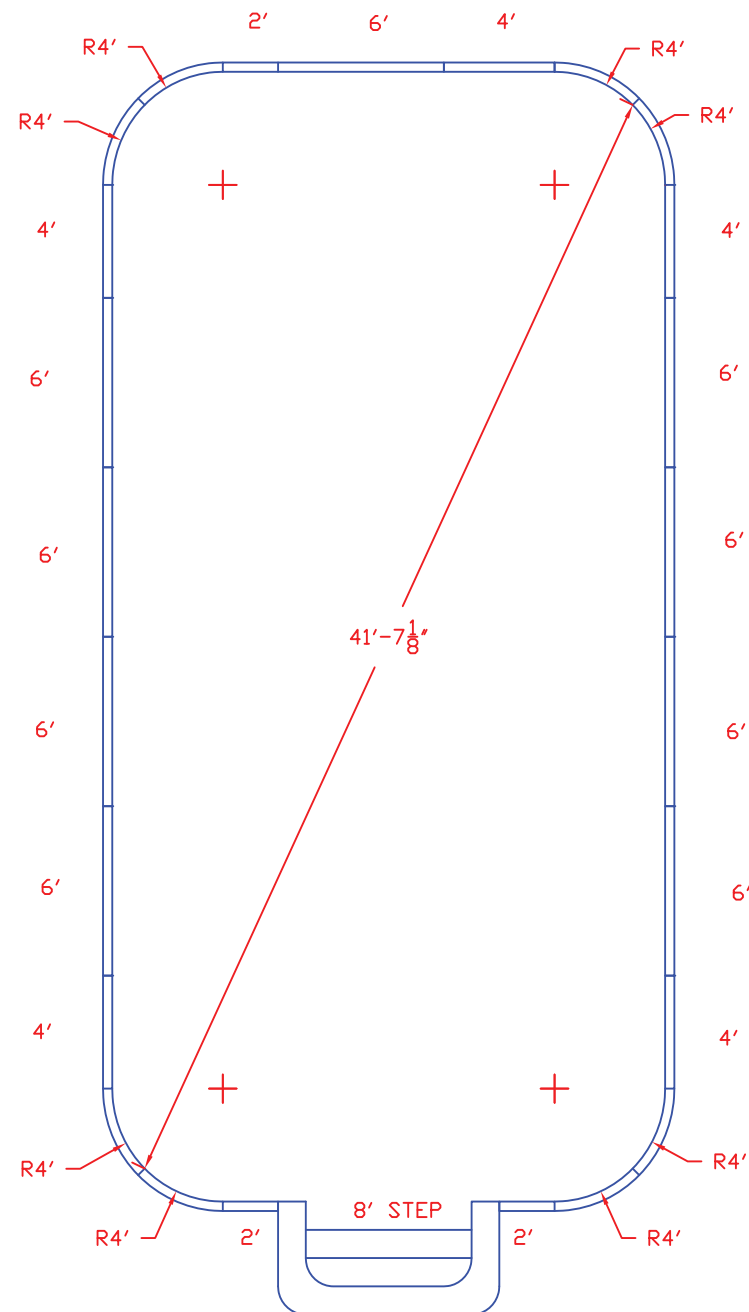
THIS DRAWING IS THE PROPERTY OF POOL BUILDERS SUPPLY AND IS LOANED FOR CONFIDENTIAL USE ONLY, AND SHOULD NOT BE COPIED OR USED FOR ANY PURPOSE DETRIMENTAL TO THE INTEREST OF POOL BUILDERS SUPPLY.

18' X 40' W/ 4'R
RECTANGLE - POLY

DATE	DRAWN BY	SIZE	SCALE	DWG NO.	REV
08/03/09	JMH	B	NTS	1 of 1	0

LIST OF MATERIALS

PART	QUANTITY	PART #
8' STEP	1	PBS-8
6' PLAIN	9	K23030
4' PLAIN	5	K23032
2' PLAIN	3	K23029
4' RADIUS	8	K23031
BRACE	22	POLY BRACE



GENERAL NOTES:

This is a Type II pool & Type II diving equipment must be used. Consult diving board manufacturer's specifications.

This drawing is for illustrative purposes only. Dealer/ builder is an independent contractor and not an agent or employee of Pool Builders Supply. Pool Builders Supply makes no representations other than that which is stated in its written warranty. The customer or Dealer/ Builder is responsible for all construction methods and conforming to all building codes.

Safety rope must be installed 1ft. from break on shallow side.

"No diving" placards must be used in the shallow end.

PERIMETER: 113'-2"

S.A. : 786.27 SQ.FT.

VOLUME: 27,126 GAL.

**POOL BUILDERS
SUPPLY**

1124 CENTRAL AVE.
CHARLOTTE, NC
28204

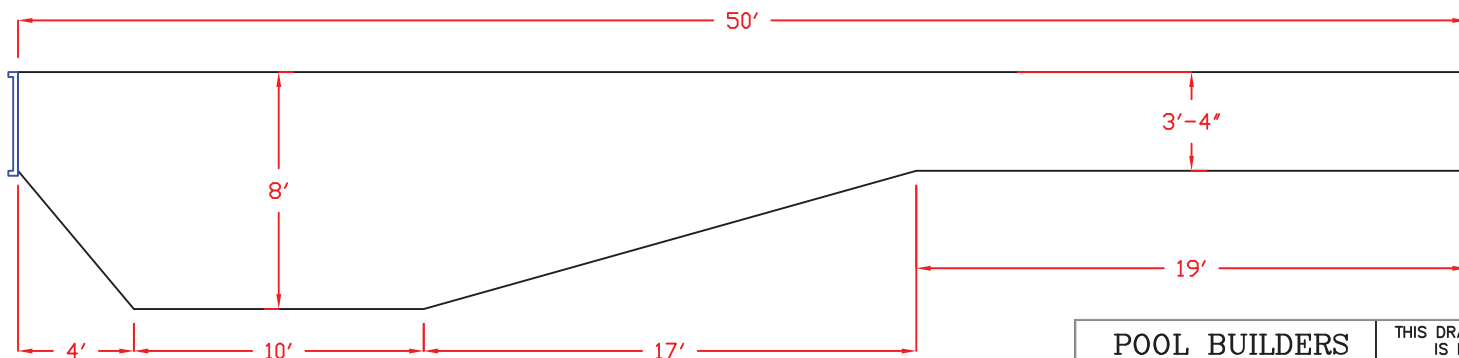
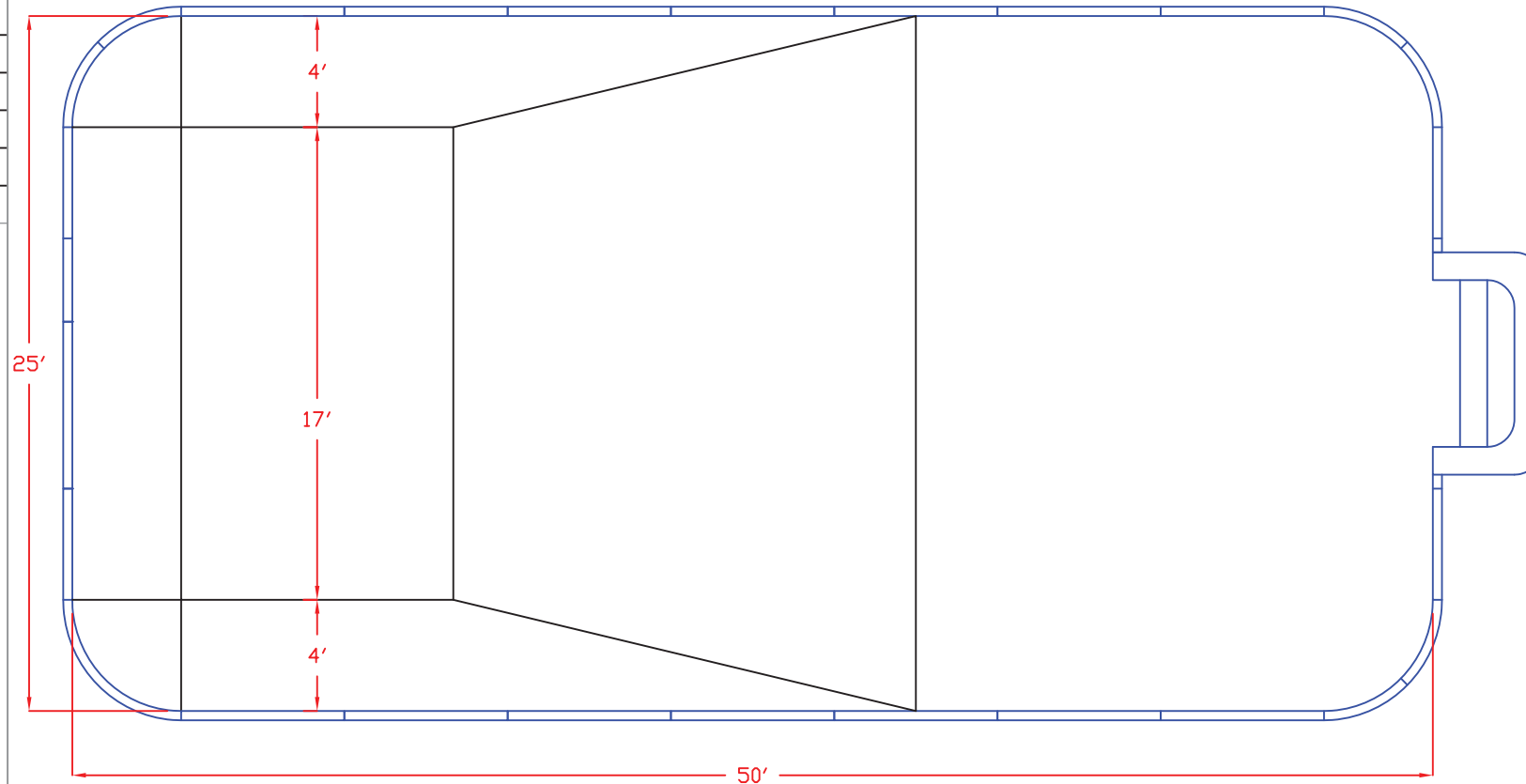
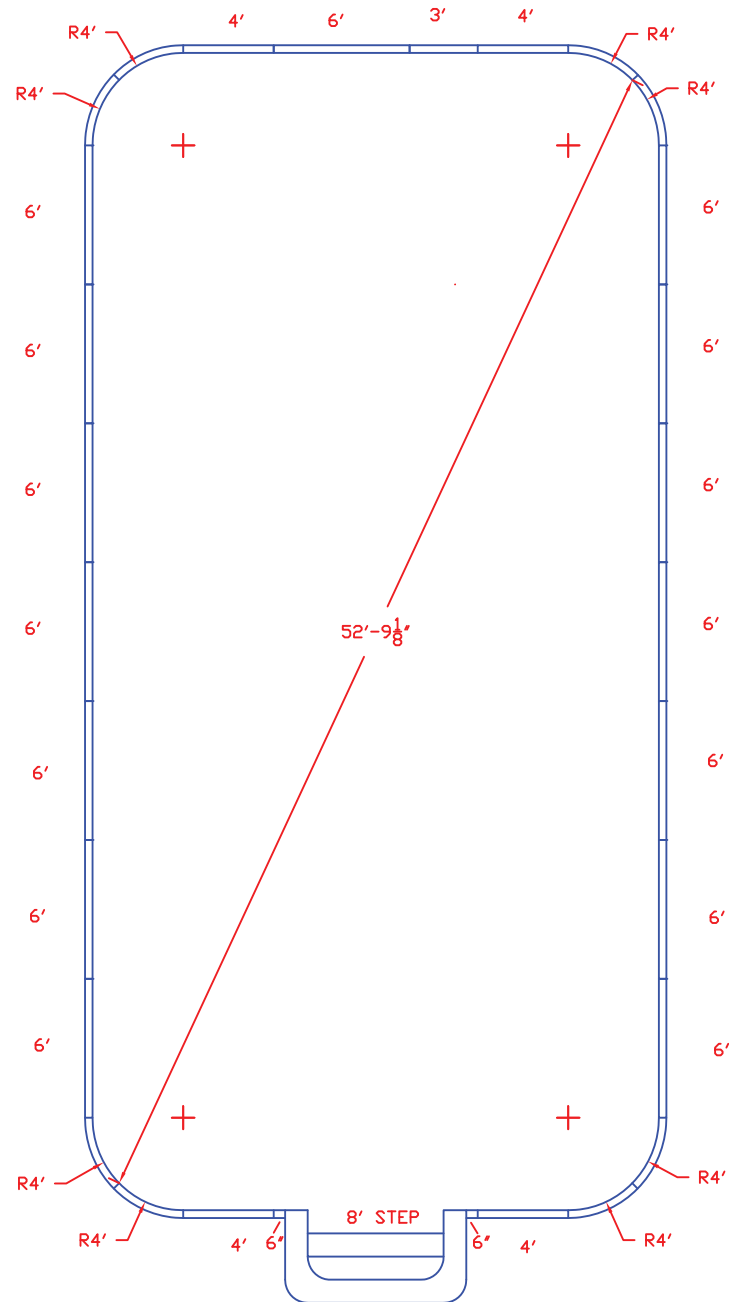
THIS DRAWING IS THE PROPERTY OF POOL BUILDERS SUPPLY AND IS LOANED FOR CONFIDENTIAL USE ONLY, AND SHOULD NOT BE COPIED OR USED FOR ANY PURPOSE DETRIMENTAL TO THE INTEREST OF POOL BUILDERS SUPPLY.

20' X 40' W/ 4'R
RECTANGLE - POLY

DATE	DRAWN BY	SIZE	SCALE	DWG NO.	REV
08/03/09	JMH	B	NTS	1 of 1	0

LIST OF MATERIALS

PART	QUANTITY	PART #
8' STEP	1	PBS-8
6' PLAIN	15	K23030
4' PLAIN	4	K23032
3' PLAIN	1	K23029
6" PLAIN	2	K23025
4' RADIUS	8	K23031
BRACE	25	POLY BRACE



GENERAL NOTES:

This is a Type II pool & Type II diving equipment must be used. Consult diving board manufacturer's specifications.

This drawing is for illustrative purposes only. Dealer/ builder is an independent contractor and not an agent or employee of Pool Builders Supply. Pool Builders Supply makes no representations other than that which is stated in its written warranty. The customer or Dealer/ Builder is responsible for all construction methods and conforming to all building codes.

Safety rope must be installed 1ft. from break on shallow side.

"No diving" placards must be used in the shallow end.

PERIMETER: 143'-2"

S.A. : 1,236.27 SQ.FT.

VOLUME: 42,651 GAL.

**POOL BUILDERS
SUPPLY**

1124 CENTRAL AVE.
CHARLOTTE, NC
28204

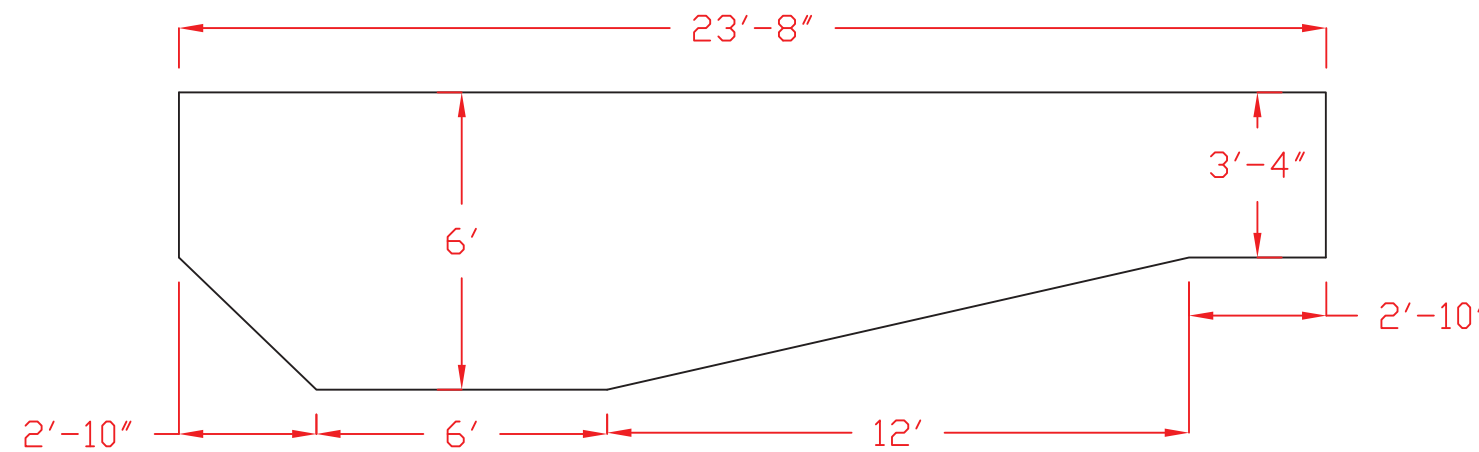
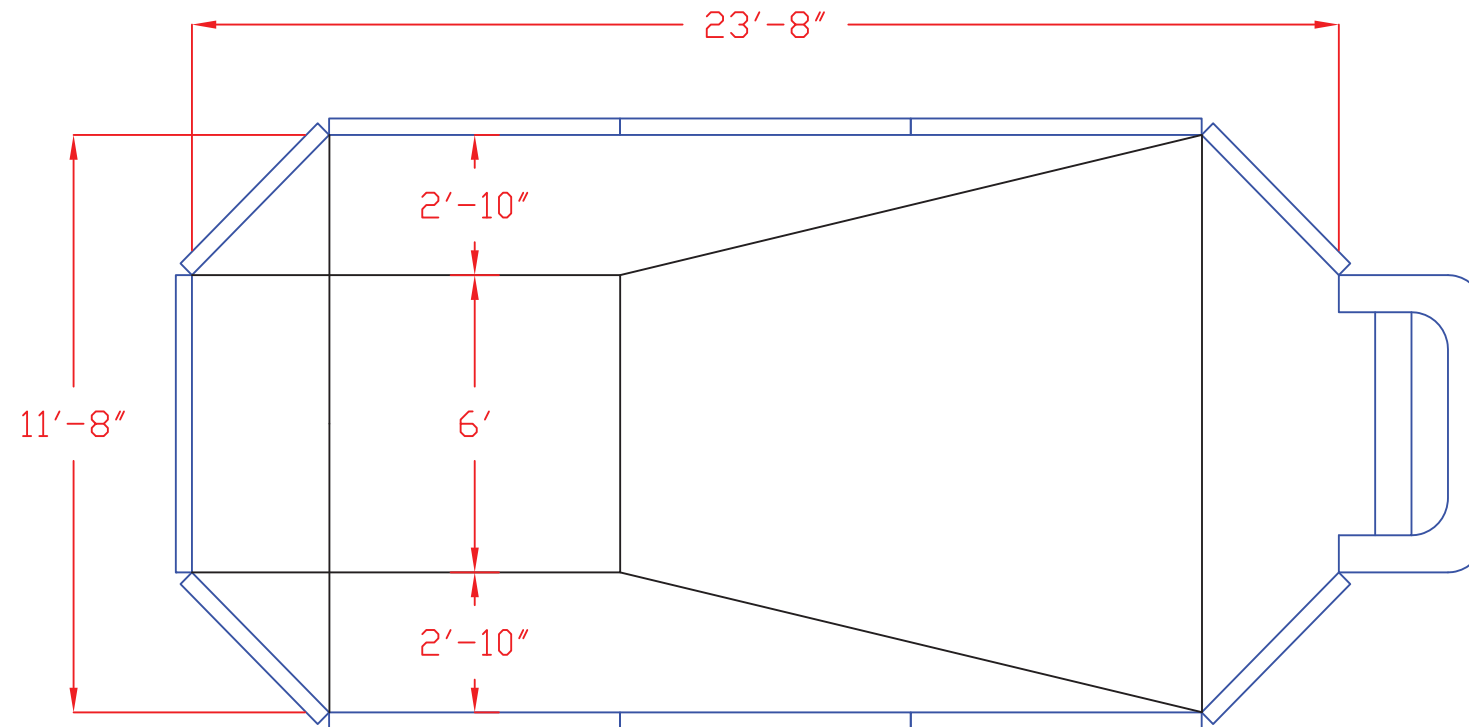
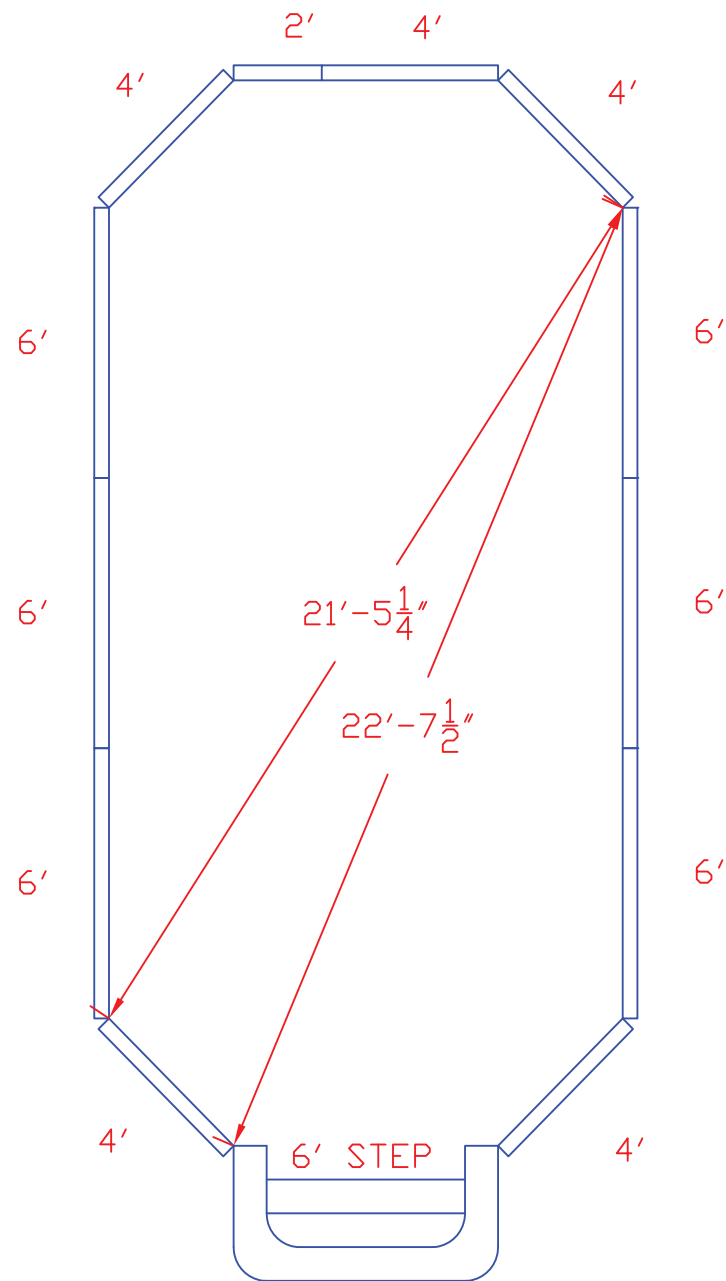
THIS DRAWING IS THE PROPERTY OF POOL BUILDERS SUPPLY AND IS LOANED FOR CONFIDENTIAL USE ONLY, AND SHOULD NOT BE COPIED OR USED FOR ANY PURPOSE DETRIMENTAL TO THE INTEREST OF POOL BUILDERS SUPPLY.

25' X 50' W/ 4'R
RECTANGLE - POLY

DATE	DRAWN BY	SIZE	SCALE	DWG NO.	REV
08/05/09	JMH	B	NTS	1 of 1	0

LIST OF MATERIALS

PART	QUANTITY	PART #
6' STEP	1	PBS-6
6' PLAIN	6	K23030
4' PLAIN	5	K23032
2' PLAIN	1	K23028
45 DEG. WEDGE	8	K52GF
BRACE	13	POLY BRACE



GENERAL NOTES:
This is a Type 0 pool & NO DIVING IS ALLOWED!.

This drawing is for illustrative purposes only. Dealer/ builder is an independent contractor and not an agent or employee of Pool Builders Supply. Pool Builders Supply makes no representations other than that which is stated in its written warranty. The customer or Dealer/ Builder is responsible for all construction methods and conforming to all building codes.

Safety rope must be installed 1ft. from break on shallow side.

"No diving" placards must be used.

PERIMETER: 64'-0"

S.A. : 259.58 SQ.FT.

VOLUME: 7,787 GAL.

**POOL BUILDERS
SUPPLY**

1124 CENTRAL AVE.
CHARLOTTE, NC
28204

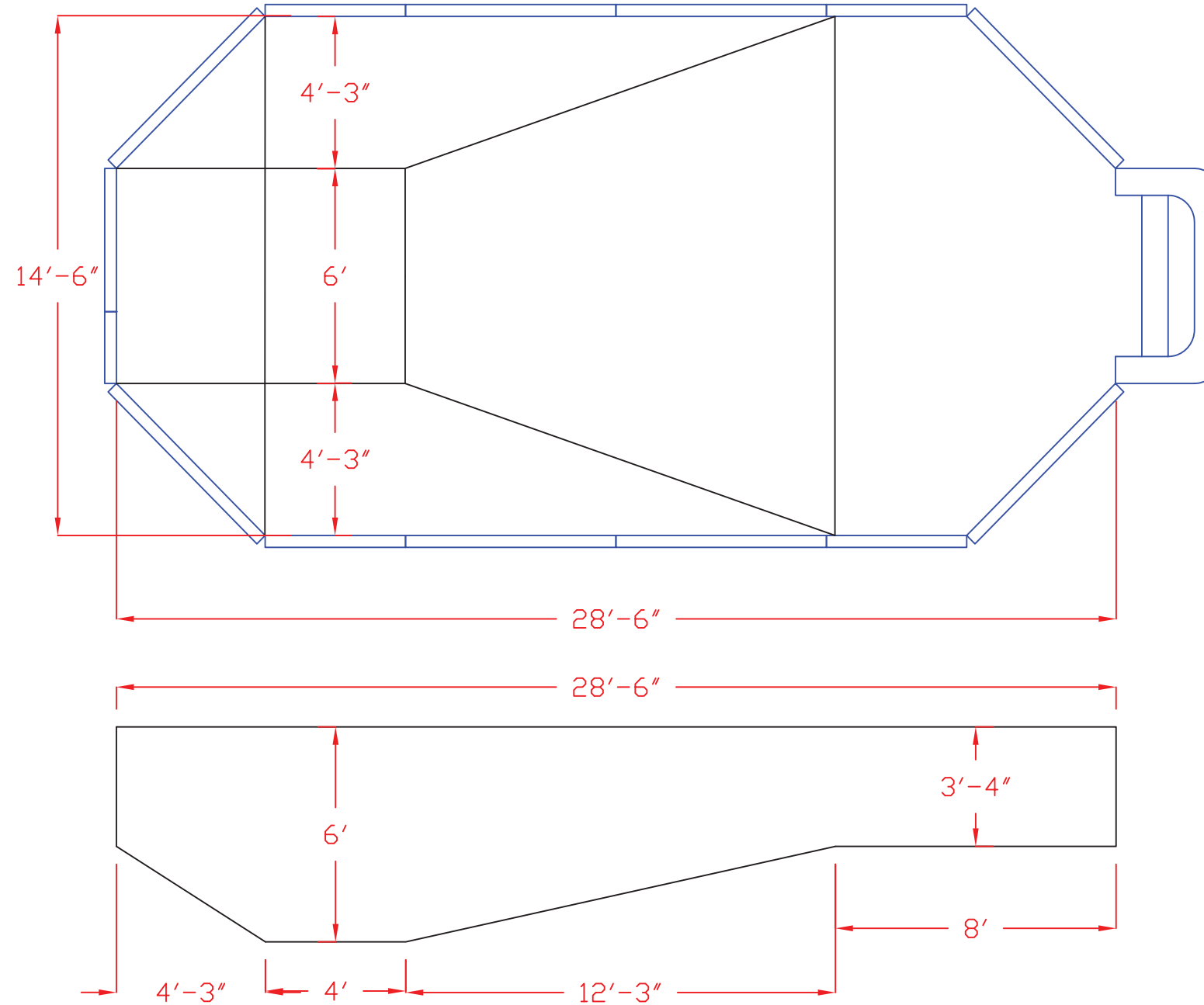
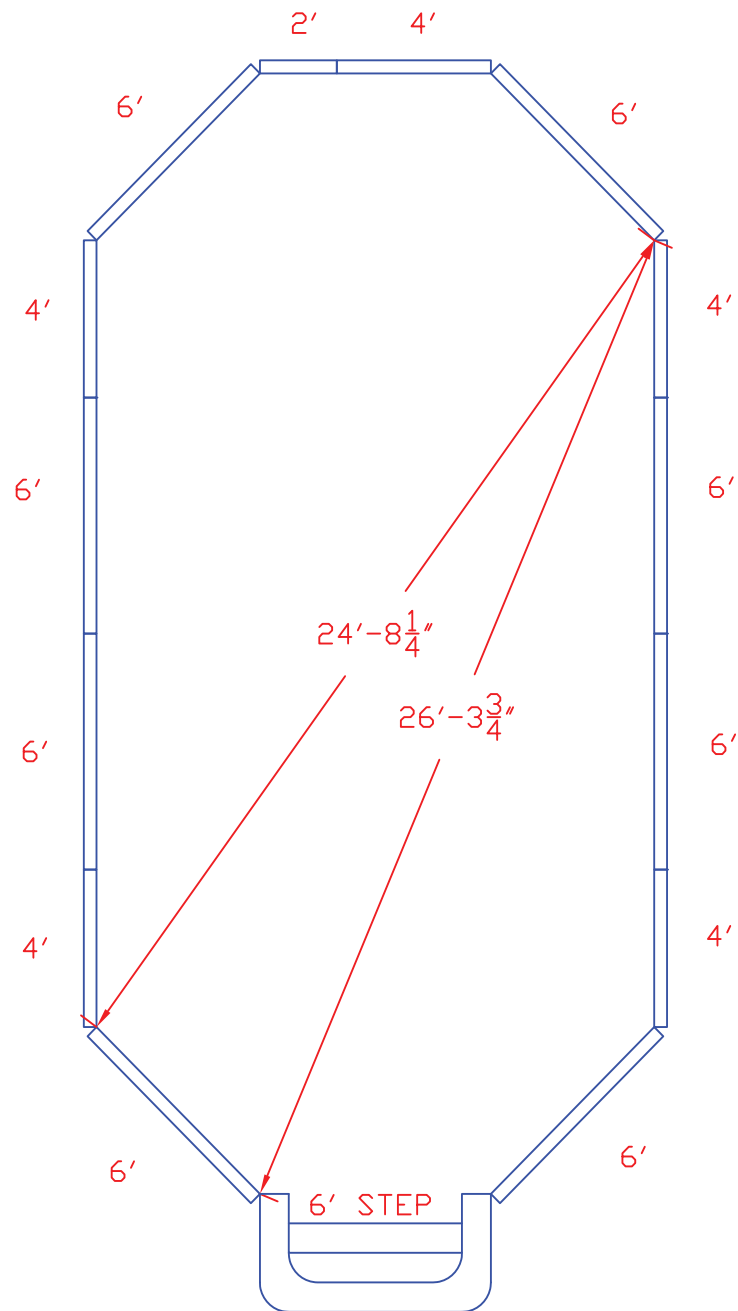
THIS DRAWING IS THE PROPERTY OF POOL BUILDERS SUPPLY AND IS LOANED FOR CONFIDENTIAL USE ONLY, AND SHOULD NOT BE COPIED OR USED FOR ANY PURPOSE DETRIMENTAL TO THE INTEREST OF POOL BUILDERS SUPPLY.

12' X 24'
GRECIAN - POLY

DATE	DRAWN BY	SIZE	SCALE	DWG NO.	REV
08/05/09	JMH	B	NTS	1 of 1	0

LIST OF MATERIALS

PART	QUANTITY	PART #
6' STEP	1	PBS-6
6' PLAIN	8	K23030
4' PLAIN	5	K23032
2' PLAIN	1	K23028
45 DEG. WEDGE	8	K52GF
BRACE	15	POLY BRACE



GENERAL NOTES:
This is a Type 0 pool & NO DIVING IS ALLOWED!

This drawing is for illustrative purposes only. Dealer/ builder is an independent contractor and not an agent or employee of Pool Builders Supply. Pool Builders Supply makes no representations other than that which is stated in its written warranty. The customer or Dealer/ Builder is responsible for all construction methods and conforming to all building codes.

Safety rope must be installed 1ft. from break on shallow side.

"No diving" placards must be used in the shallow end.

PERIMETER: 76'-0"

S.A.: 376.62 SQ.FT.

VOLUME: 11,298 GAL.

**POOL BUILDERS
SUPPLY**

1124 CENTRAL AVE.
CHARLOTTE, NC
28204

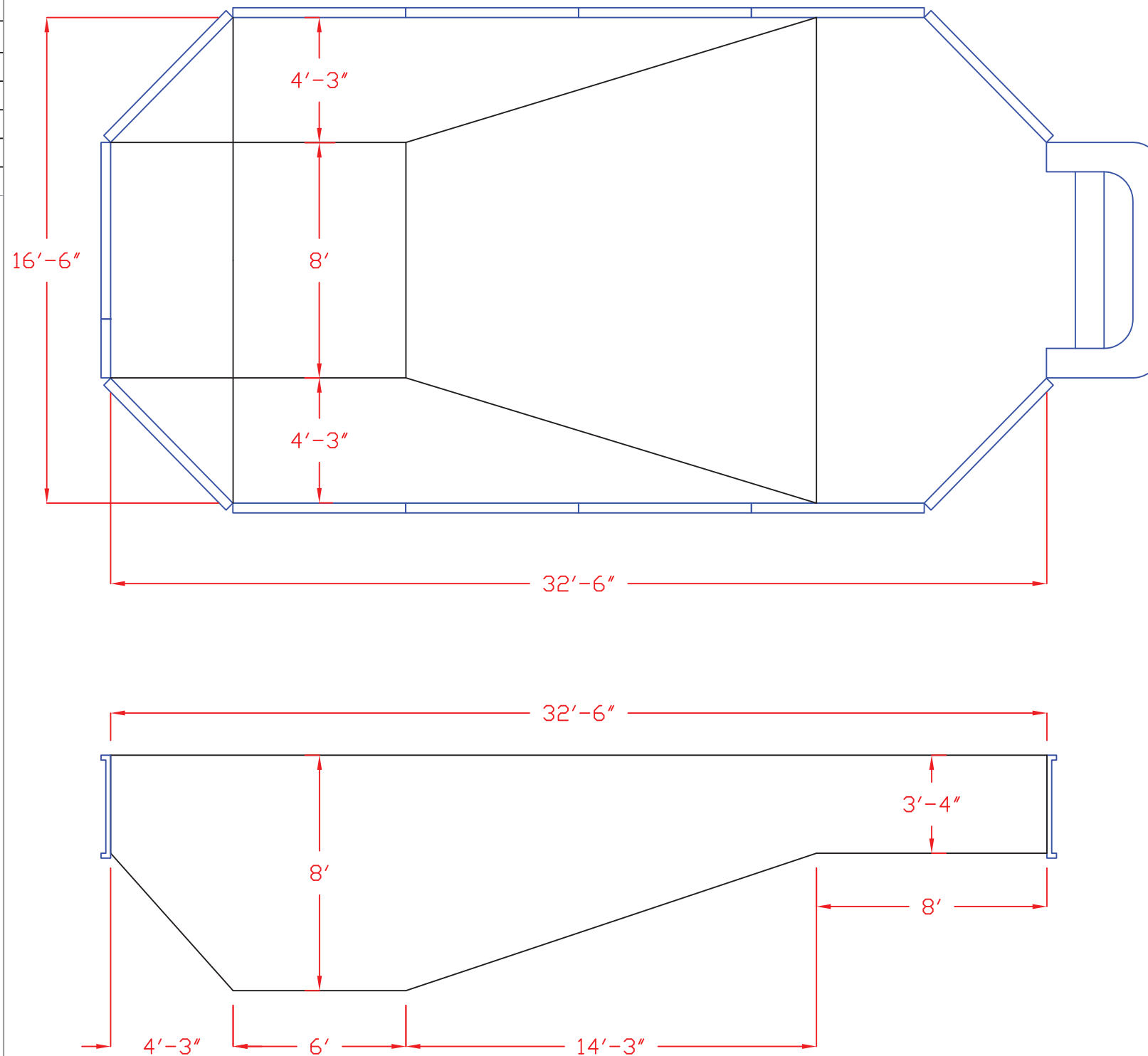
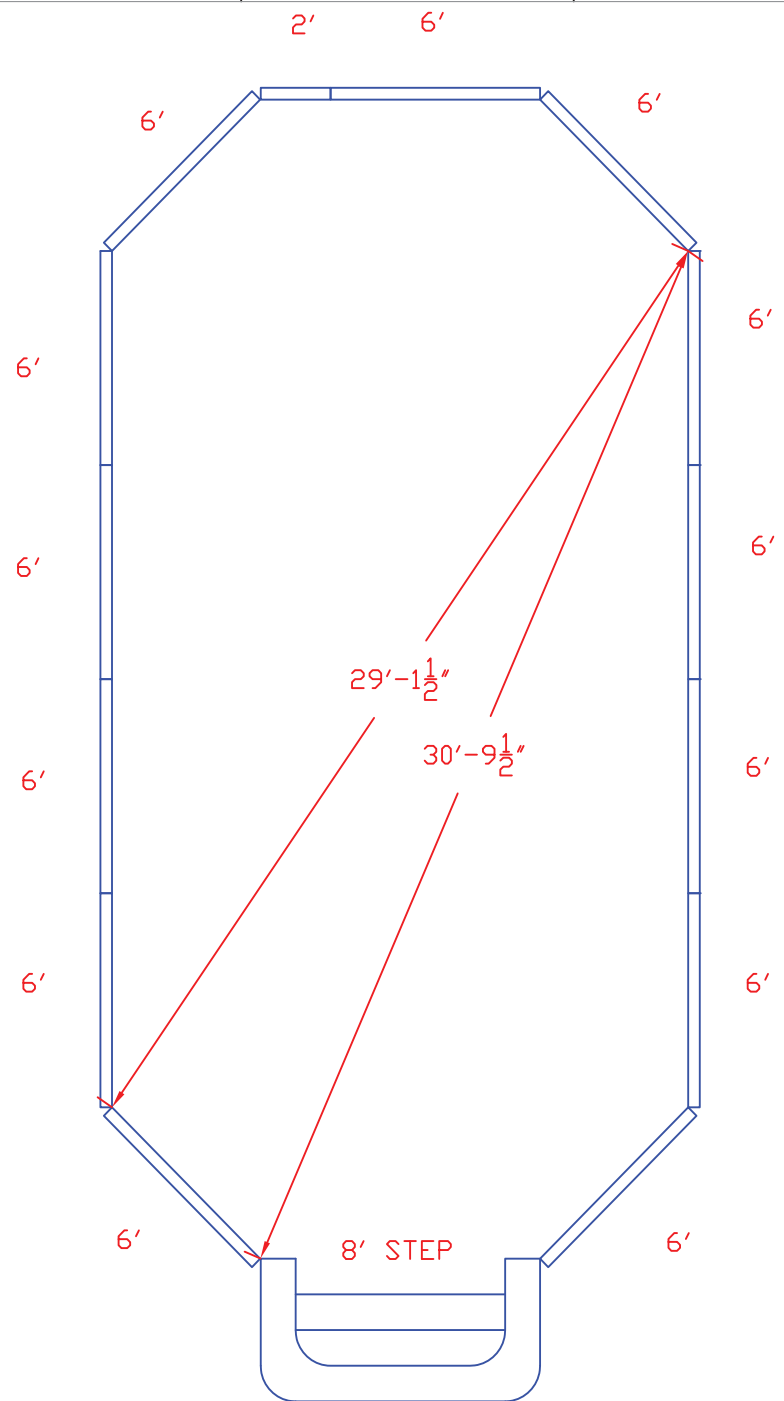
THIS DRAWING IS THE PROPERTY OF POOL BUILDERS SUPPLY AND IS LOANED FOR CONFIDENTIAL USE ONLY, AND SHOULD NOT BE COPIED OR USED FOR ANY PURPOSE DETRIMENTAL TO THE INTEREST OF POOL BUILDERS SUPPLY.

14'-6" X 28'-6"
GRECIAN - POLY

DATE	DRAWN BY	SIZE	SCALE	DWG NO.	REV
08/05/09	JMH	B	NTS	1 of 1	0

LIST OF MATERIALS

PART	QUANTITY	PART #
8' STEP	1	PBS-8
6' PLAIN	13	K23030
2' PLAIN	1	K23028
45 DEG. WEDGE	8	K52GF
BRACE	15	POLY BRACE



GENERAL NOTES:

This is a Type II pool & Type II diving equipment must be used. Consult diving board manufacturer's specifications.

This drawing is for illustrative purposes only. Dealer/ builder is an independent contractor and not an agent or employee of Pool Builders Supply. Pool Builders Supply makes no representations other than that which is stated in its written warranty. The customer or Dealer/ Builder is responsible for all construction methods and conforming to all building codes.

Safety rope must be installed 1ft. from break on shallow side.

"No diving" placards must be used in the shallow end.

PERIMETER: 94'-0"

S.A. : 549 SQ.FT.

VOLUME: 18,940 GAL.

**POOL BUILDERS
SUPPLY**

1124 CENTRAL AVE.
CHARLOTTE, NC
28204

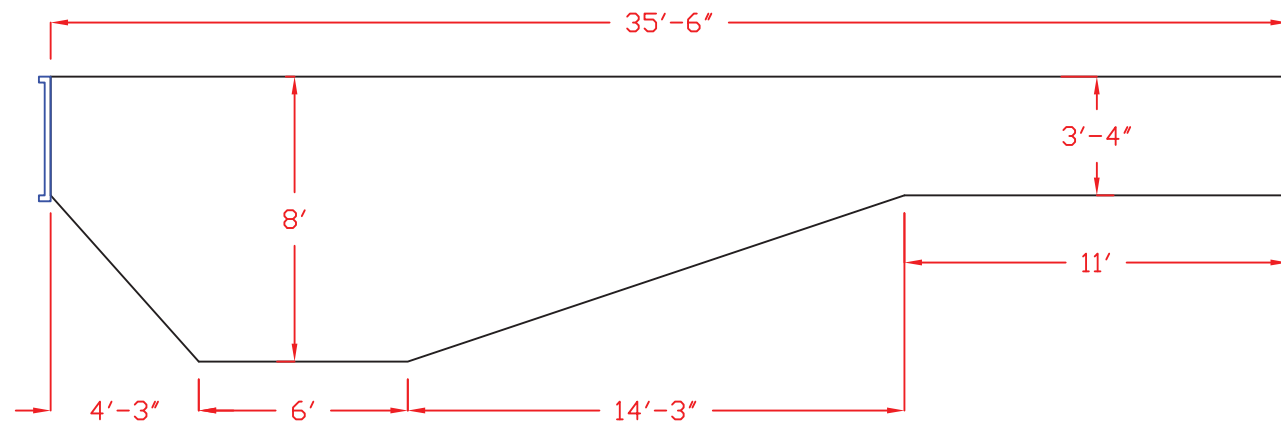
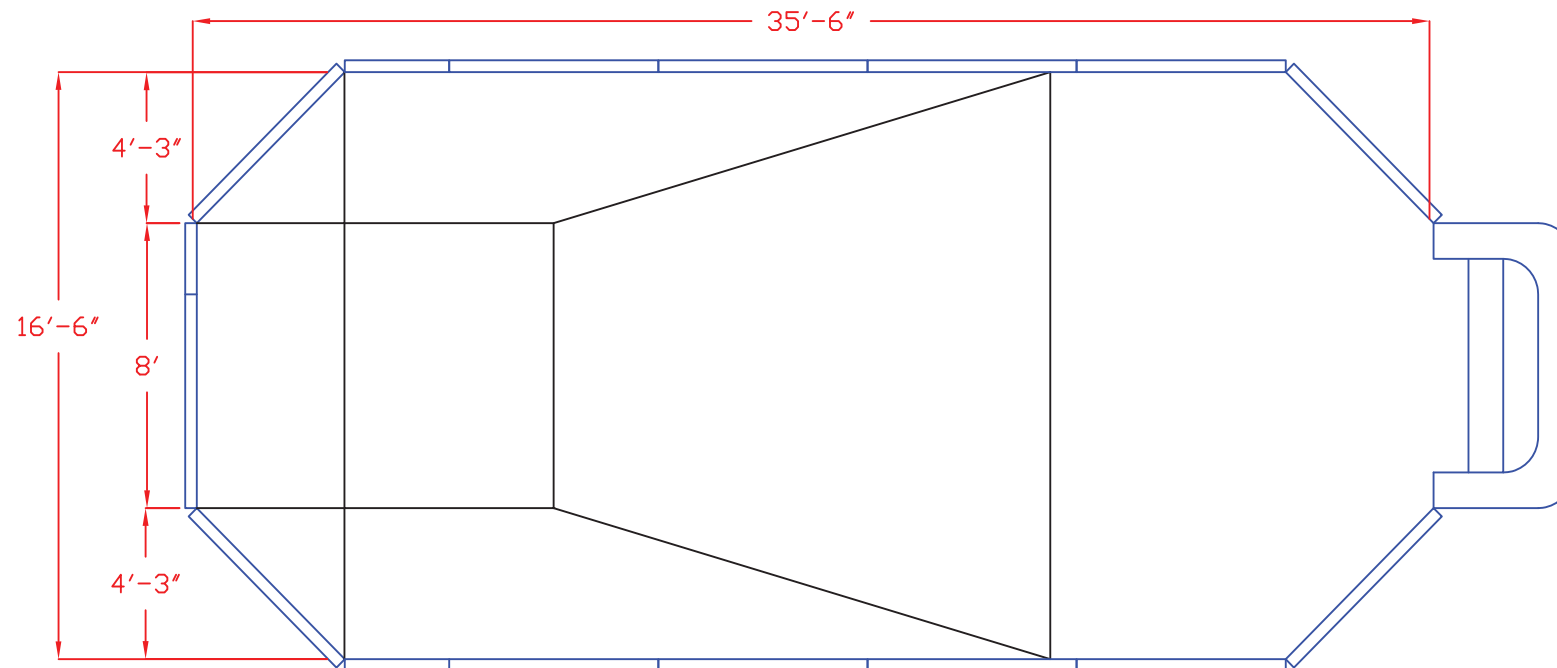
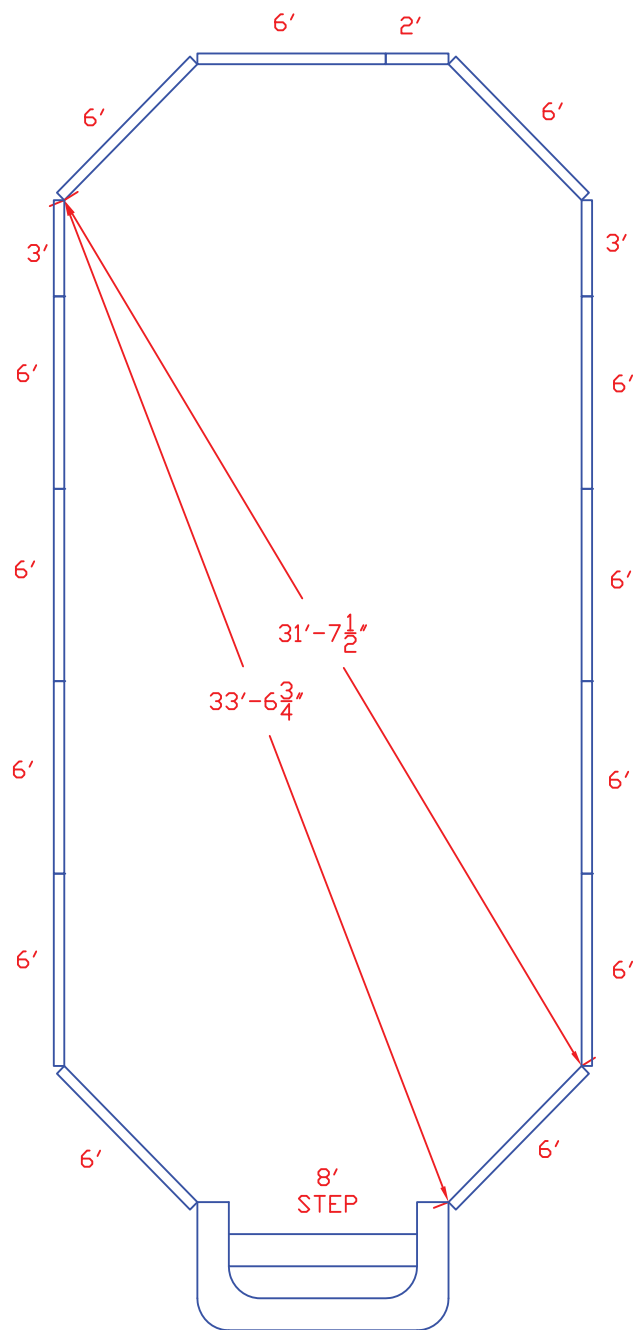
THIS DRAWING IS THE PROPERTY OF POOL BUILDERS SUPPLY AND IS LOANED FOR CONFIDENTIAL USE ONLY, AND SHOULD NOT BE COPIED OR USED FOR ANY PURPOSE DETRIMENTAL TO THE INTEREST OF POOL BUILDERS SUPPLY.

16'-6" X 32'-6"
GRECIAN - POLY

DATE	DRAWN BY	SIZE	SCALE	DWG NO.	REV
08/06/09	JMH	B	NTS	1 of 1	0

LIST OF MATERIALS

PART	QUANTITY	PART #
8' STEP	1	PBS-8
6' PLAIN	13	K23030
3' PLAIN	2	K23029
2' PLAIN	1	K23028
45° GREC. ANGLE	8	K52GF
BRACE	17	POLY BRACE



GENERAL NOTES:

This is a Type II pool & Type II diving equipment must be used. Consult diving board manufacturer's specifications.

This drawing is for illustrative purposes only. Dealer/ builder is an independent contractor and not an agent or employee of Pool Builders Supply. Pool Builders Supply makes no representations other than that which is stated in its written warranty. The customer or Dealer/ Builder is responsible for all construction methods and conforming to all building codes.

Safety rope must be installed 1ft. from break on shallow side.

"No diving" placards must be used in the shallow end.

PERIMETER: 94'-0"

S.A. : 549 SQ.FT.

VOLUME: 18,940 GAL.

POOL BUILDERS
SUPPLY

1124 CENTRAL AVE.
CHARLOTTE, NC
28204

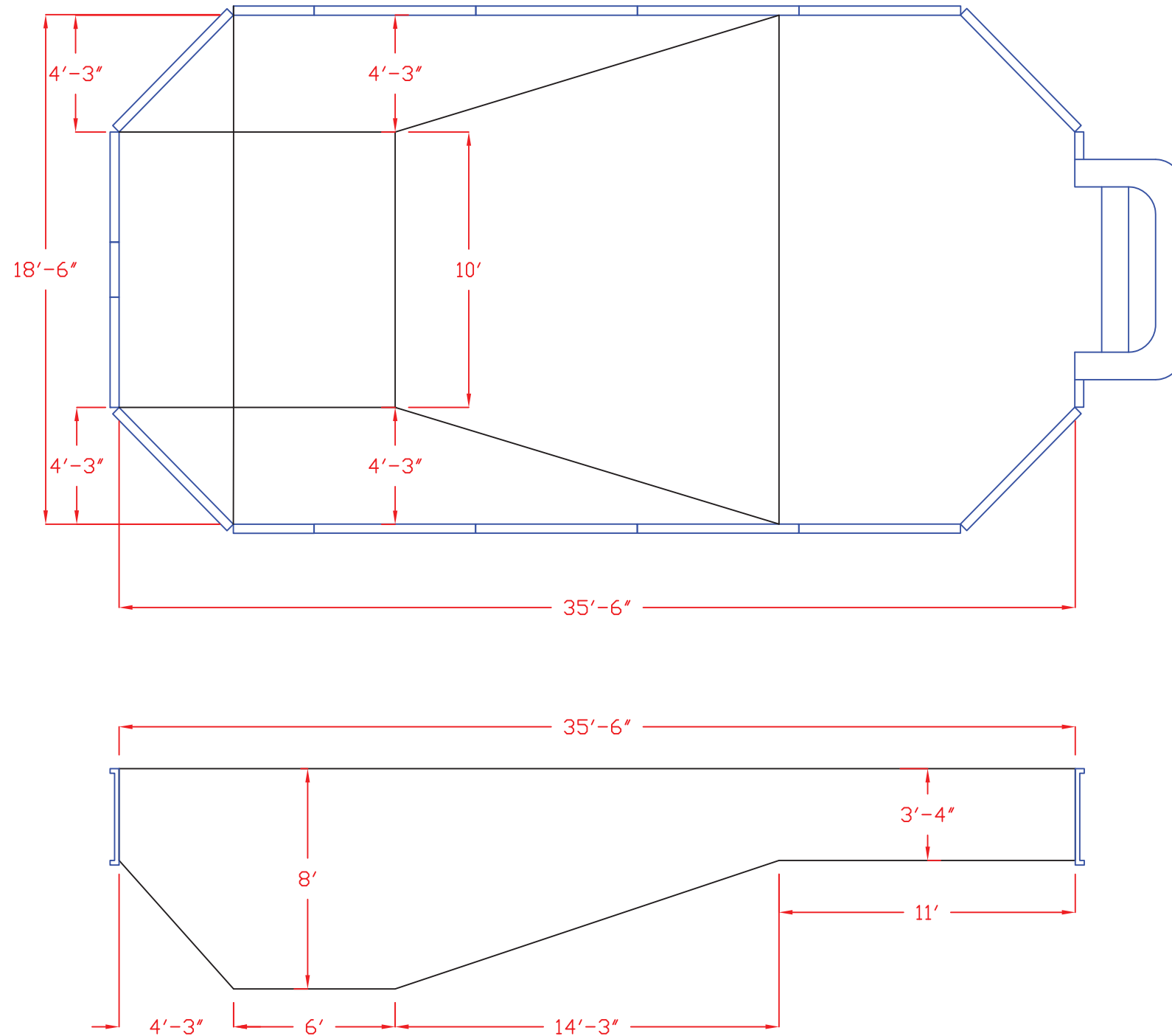
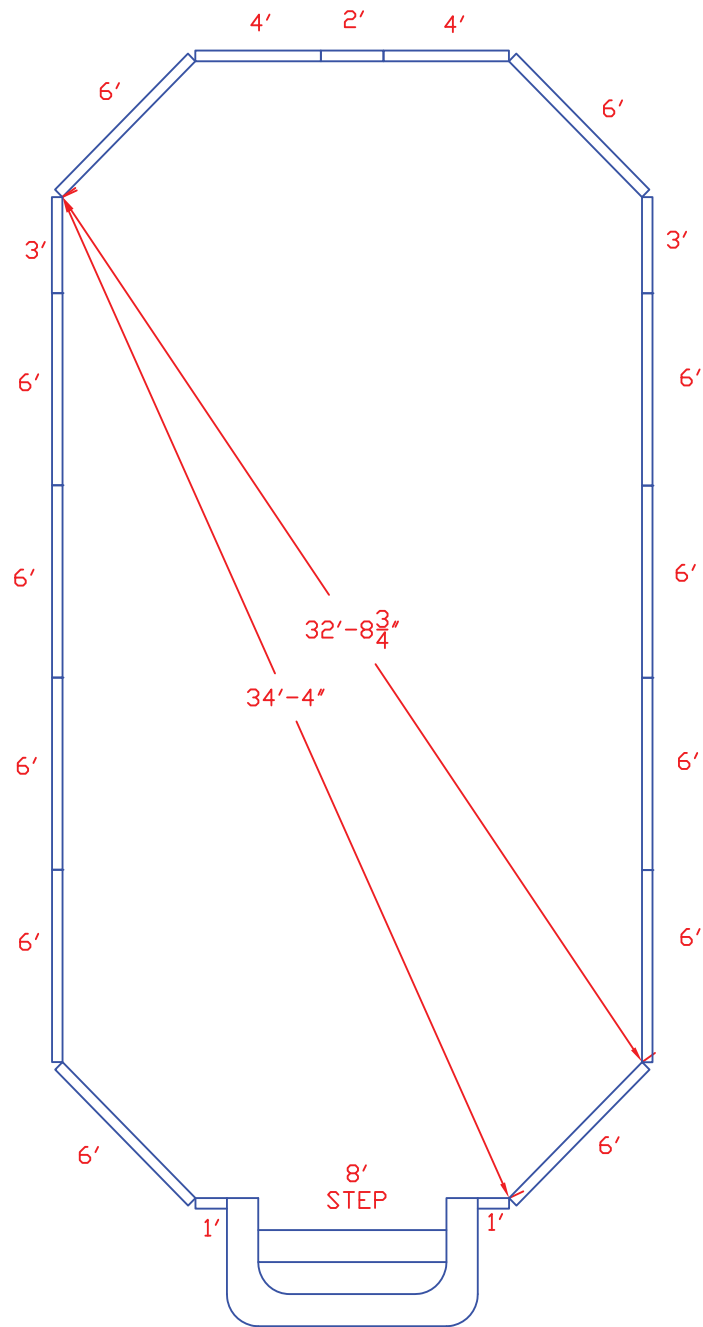
THIS DRAWING IS THE PROPERTY OF POOL BUILDERS SUPPLY AND IS LOANED FOR CONFIDENTIAL USE ONLY, AND SHOULD NOT BE COPIED OR USED FOR ANY PURPOSE DETRIMENTAL TO THE INTEREST OF POOL BUILDERS SUPPLY.

16'-6" x 35'-6"
GRECIAN - POLY

DATE	DRAWN BY	SIZE	SCALE	DWG NO.	REV
08/06/09	JMH	B	NTS	1 OF 1	0

LIST OF MATERIALS

PART	QUANTITY	PART #
8' STEP	1	PBS-8
6' PLAIN	12	K23030
4' PLAIN	2	K23032
3' PLAIN	2	K23029
2' PLAIN	1	K23028
1' PLAIN	2	K23036
45° GREC. ANGLE	8	K52GF
BRACE	18	POLY BRACE



GENERAL NOTES:

This is a Type II pool & Type II diving equipment must be used. Consult diving board manufacturer's specifications.

This drawing is for illustrative purposes only. Dealer/ builder is an independent contractor and not an agent or employee of Pool Builders Supply. Pool Builders Supply makes no representations other than that which is stated in its written warranty. The customer or Dealer/ Builder is responsible for all construction methods and conforming to all building codes.

Safety rope must be installed 1ft. from break on shallow side.

"No diving" placards must be used in the shallow end.

PERIMETER: 98'-0"

S.A. : 620 SQ.FT.

VOLUME: 21,390 GAL.

POOL BUILDERS
SUPPLY

1124 CENTRAL AVE.
CHARLOTTE, NC
28204

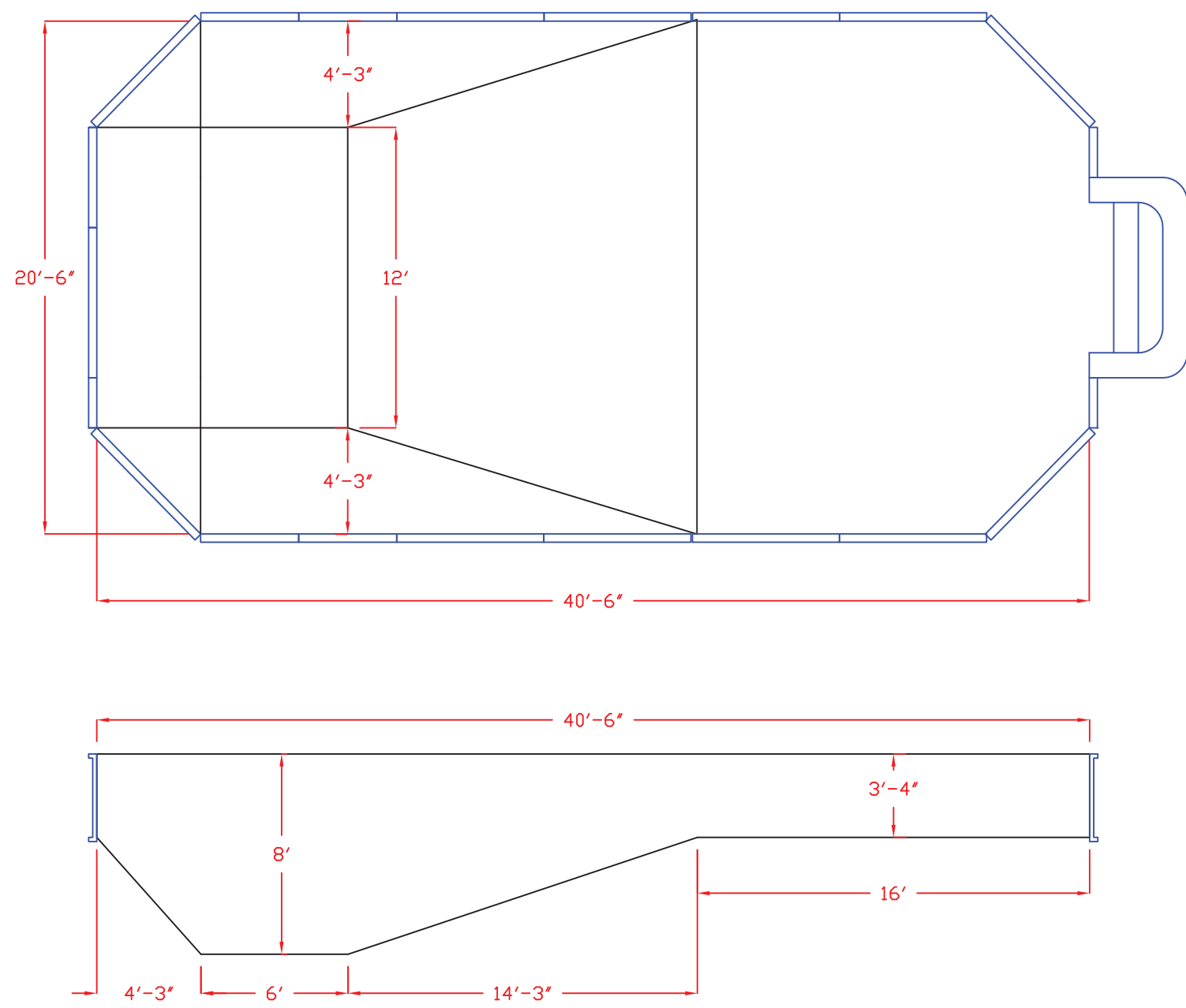
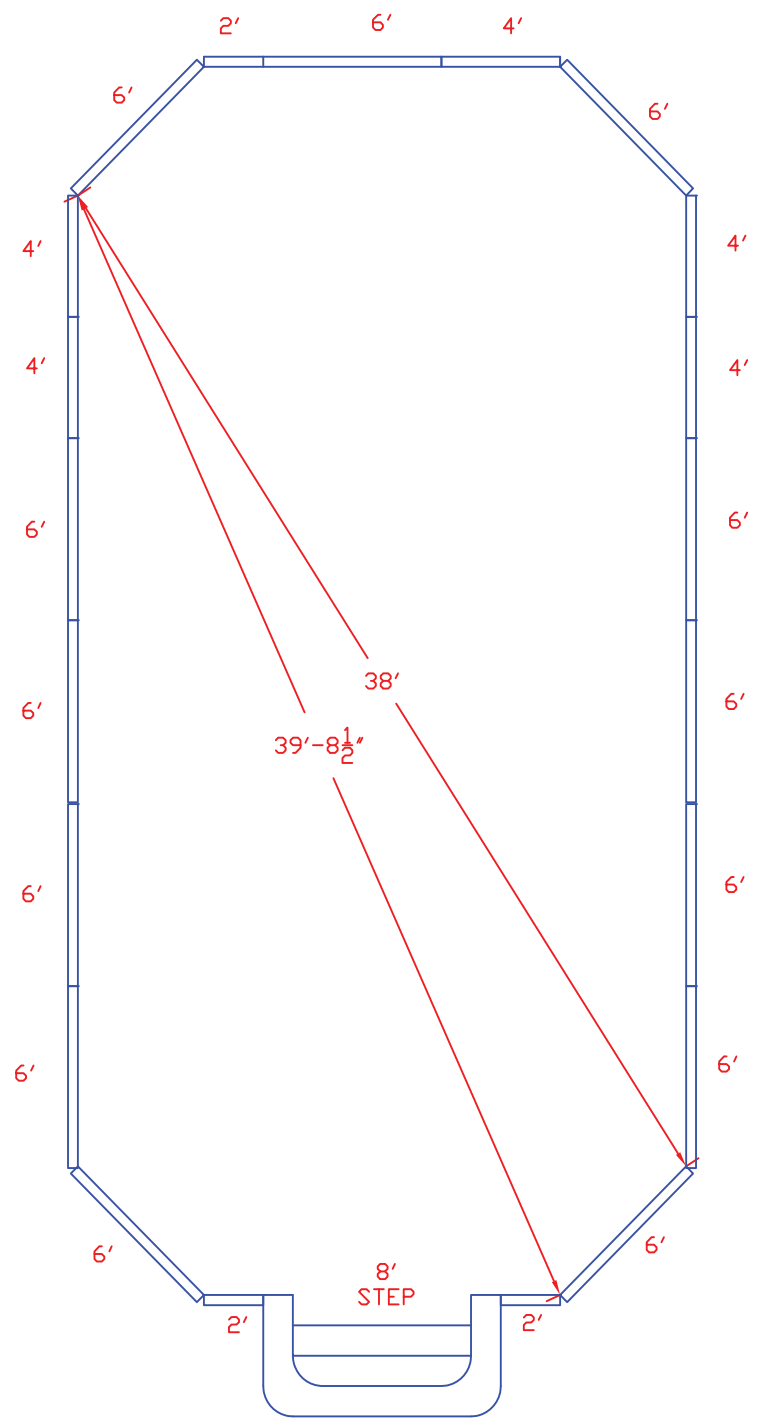
THIS DRAWING IS THE PROPERTY OF POOL BUILDERS SUPPLY AND IS LOANED FOR CONFIDENTIAL USE ONLY, AND SHOULD NOT BE COPIED OR USED FOR ANY PURPOSE DETRIMENTAL TO THE INTEREST OF POOL BUILDERS SUPPLY.

18'-6" x 35'-6"
GRECIAN - POLY

DATE	DRAWN BY	SIZE	SCALE	DWG NO.	REV
08/06/09	JMH	B	NTS	1 OF 1	0

LIST OF MATERIALS

PART	QUANTITY	PART #
8' STEP	1	PBS-8
6' PLAIN	13	K23030
4' PLAIN	5	K23032
2' PLAIN	3	K23028
45° GREC. ANGLE	8	K52GF
BRACE	22	POLY BRACE



GENERAL NOTES:
 This is a Type II pool & Type II diving equipment must be used. Consult diving board manufacturer's specifications.

This drawing is for illustrative purposes only. Dealer/ builder is an independent contractor and not an agent or employee of Pool Builders Supply. Pool Builders Supply makes no representations other than that which is stated in its written warranty. The customer or Dealer/ Builder is responsible for all construction methods and conforming to all building codes.

Safety rope must be installed 1ft. from break on shallow side.

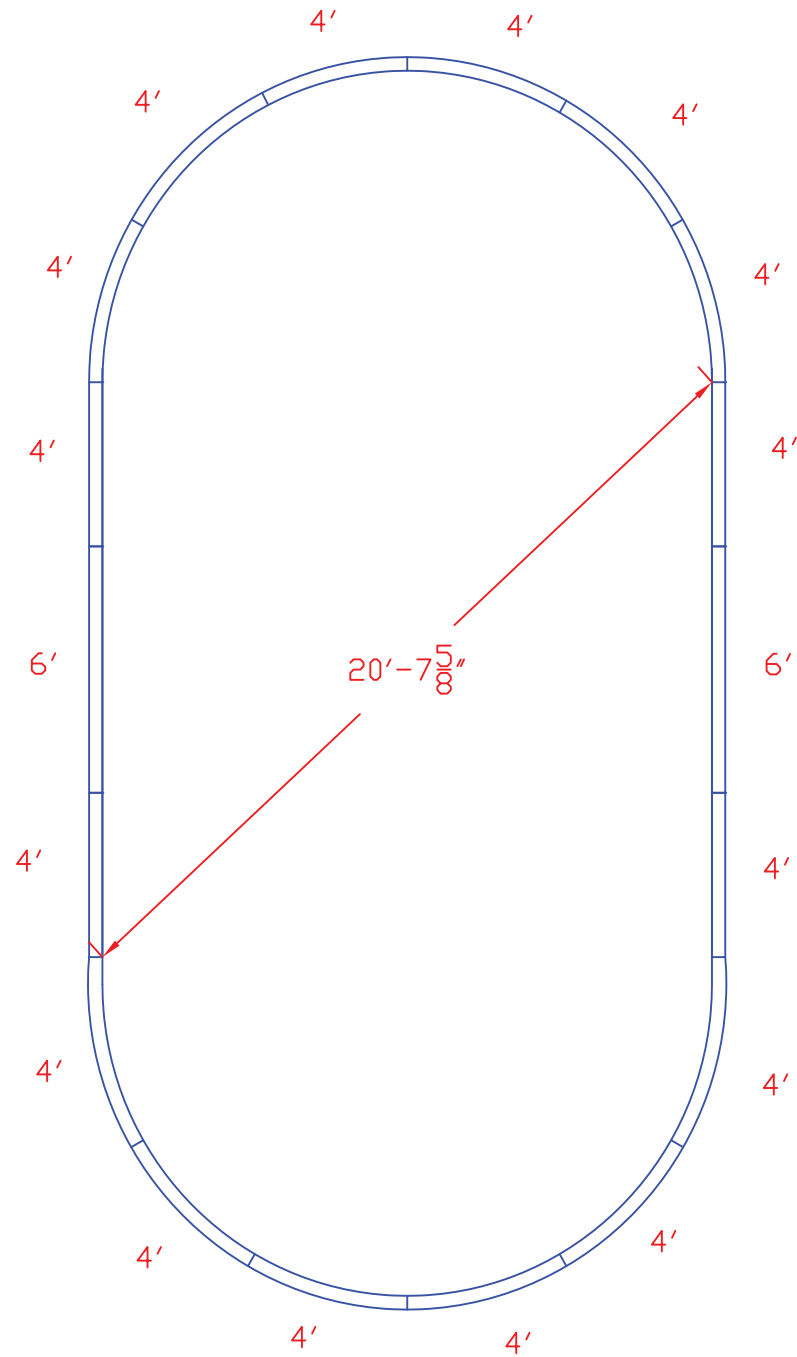
"No diving" placards must be used in the shallow end.

PERIMETER: 112'-0"
S.A.: 793.35 SQ.FT.
VOLUME: 27,371 GAL.

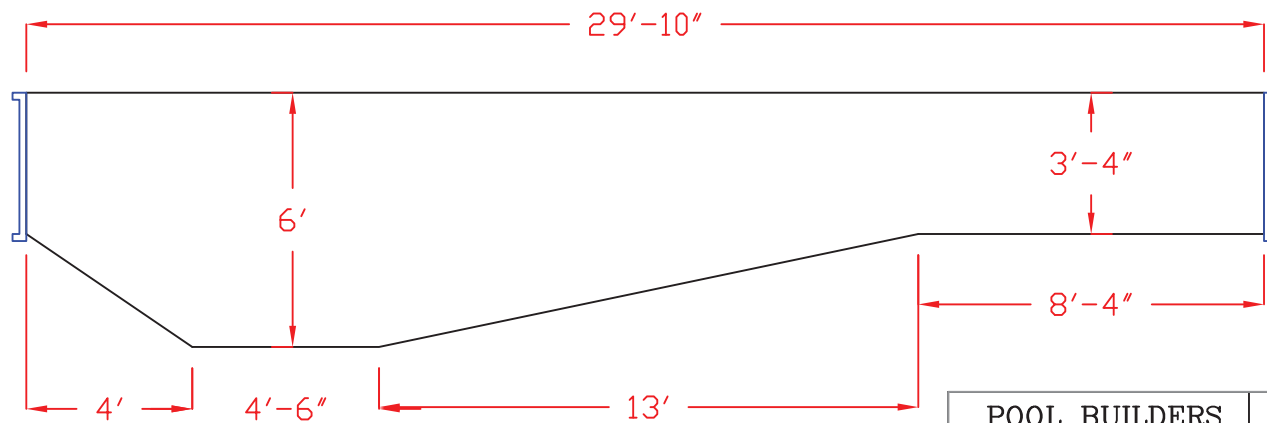
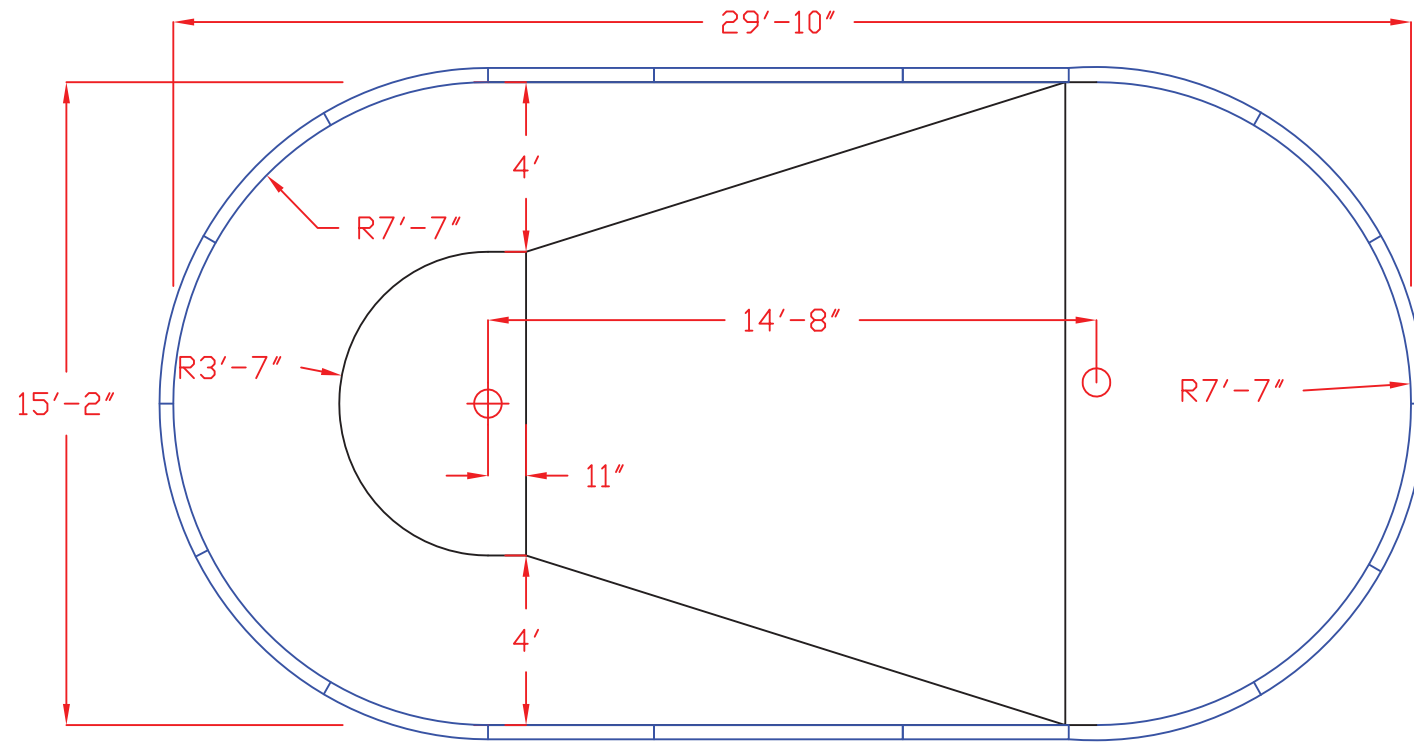
POOL BUILDERS SUPPLY 1124 CENTRAL AVE. CHARLOTTE, NC 28204		THIS DRAWING IS THE PROPERTY OF POOL BUILDERS SUPPLY AND IS LOANED FOR CONFIDENTIAL USE ONLY, AND SHOULD NOT BE COPIED OR USED FOR ANY PURPOSE DETRIMENTAL TO THE INTEREST OF POOL BUILDERS SUPPLY.	
DATE: 08/07/09		DRAWN BY: JMH	
SIZE: B	SCALE: NTS	DWG NO.: 1 OF 1	REV: 0

LIST OF MATERIALS

PART	QUANTITY	PART #
6' PLAIN	2	K23030
4' PLAIN	4	K23032
4'L 9' RAD	12	K23034
BRACE	12	POLY BRACE
WEDGES	10	5 DEG WEDGE



USE 5 DEG. WEDGES AT RADIUS JOINTS



GENERAL NOTES:
This is a Type 0 pool & NO DIVING IS ALLOWED!

This drawing is for illustrative purposes only. Dealer/ builder is an independent contractor and not an agent or employee of Pool Builders Supply. Pool Builders Supply makes no representations other than that which is stated in its written warranty. The customer or Dealer/ Builder is responsible for all construction methods and conforming to all building codes.

Safety rope must be installed 1ft. from break on shallow side.

"No diving" placards must be used.

PERIMETER: 76'-8"

S.A. : 403.11 SQ.FT.

VOLUME: 14,100 GAL.

**POOL BUILDERS
SUPPLY**

1124 CENTRAL AVE.
CHARLOTTE, NC
28204

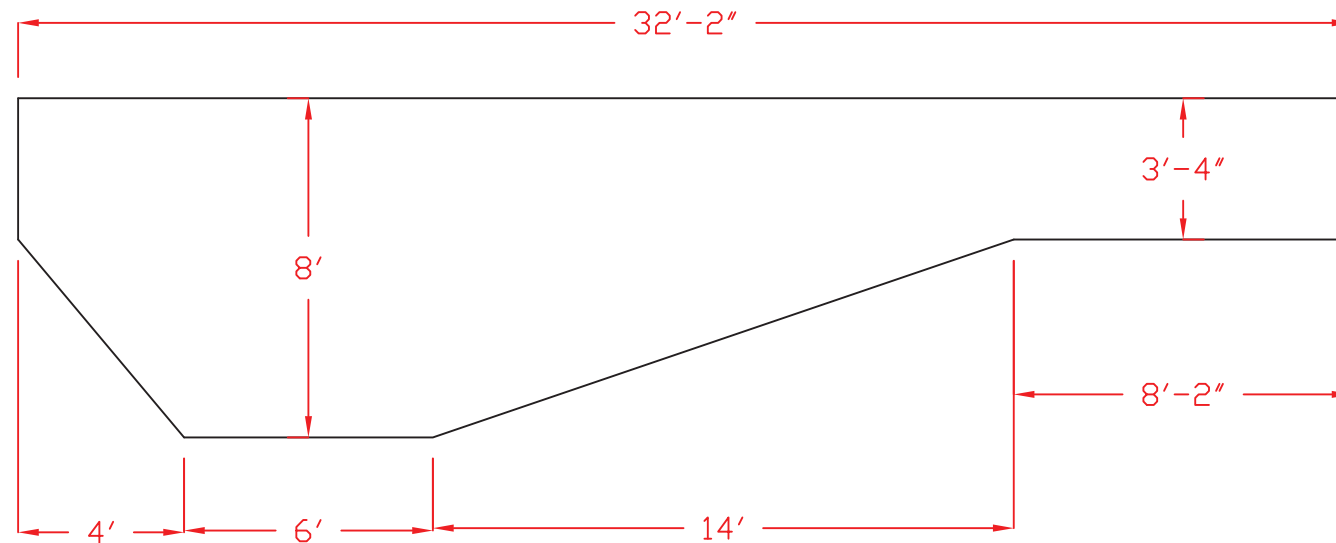
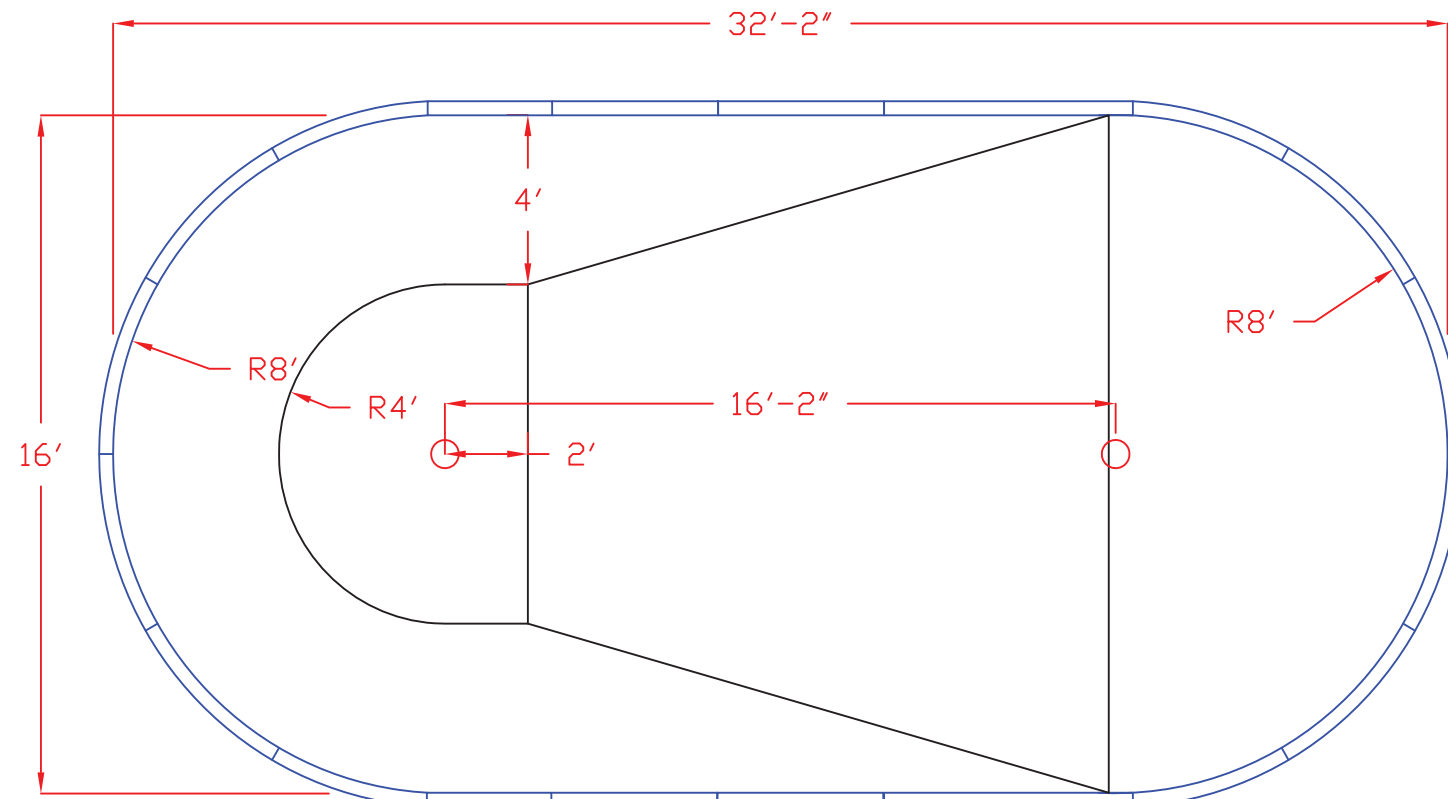
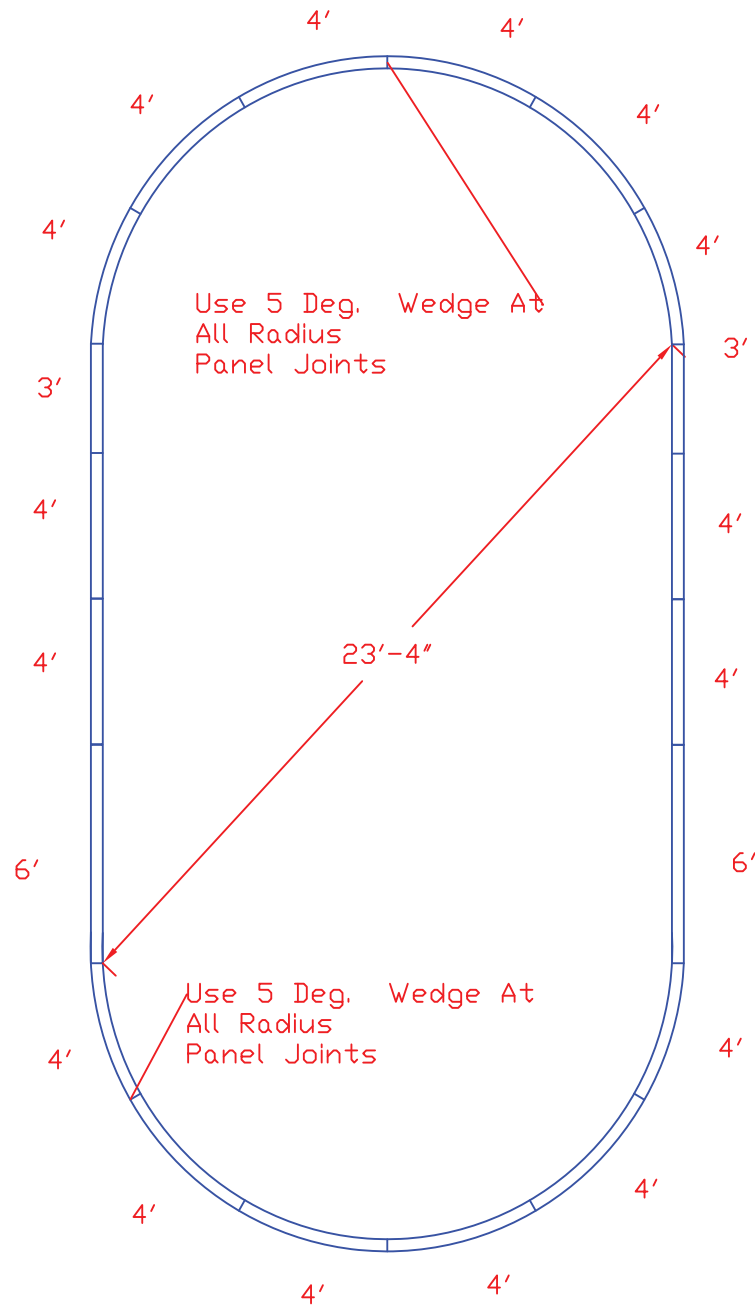
THIS DRAWING IS THE PROPERTY OF POOL BUILDERS SUPPLY AND IS LOANED FOR CONFIDENTIAL USE ONLY, AND SHOULD NOT BE COPIED OR USED FOR ANY PURPOSE DETRIMENTAL TO THE INTEREST OF POOL BUILDERS SUPPLY.

15' X 30'
OVAL - POLY

DATE	DRAWN BY	SIZE	SCALE	DWG NO.	REV
08/07/09	JMH	B	NTS	1 of 1	0

LIST OF MATERIALS

PART	QUANTITY	PART #
6' PLAIN	2	K23030
4' PLAIN	4	K23032
3' PLAIN	2	K23029
4'L - 9'R	12	K23034
5 DEG WEDGE	14	5 DEG WEDGE
BRACE	14	POLY BRACE



GENERAL NOTES:

This is a Type II pool & Type II diving equipment must be used. Consult diving board manufacturer's specifications.

This drawing is for illustrative purposes only. Dealer/ builder is an independent contractor and not an agent or employee of Pool Builders Supply. Pool Builders Supply makes no representations other than that which is stated in its written warranty. The customer or Dealer/ Builder is responsible for all construction methods and conforming to all building codes.

Safety rope must be installed 1ft. from break on shallow side.

"No diving" placards must be used in the shallow end.

PERIMETER: 82'-3"

S.A.: 403 SQ.FT.

VOLUME: 15,134 GAL.

**POOL BUILDERS
SUPPLY**

1124 CENTRAL AVE.
CHARLOTTE, NC
28204

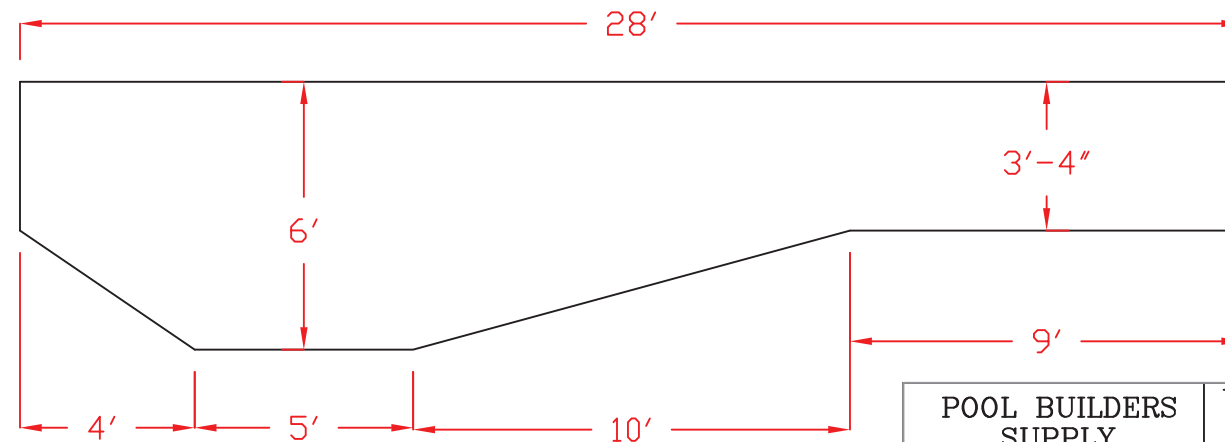
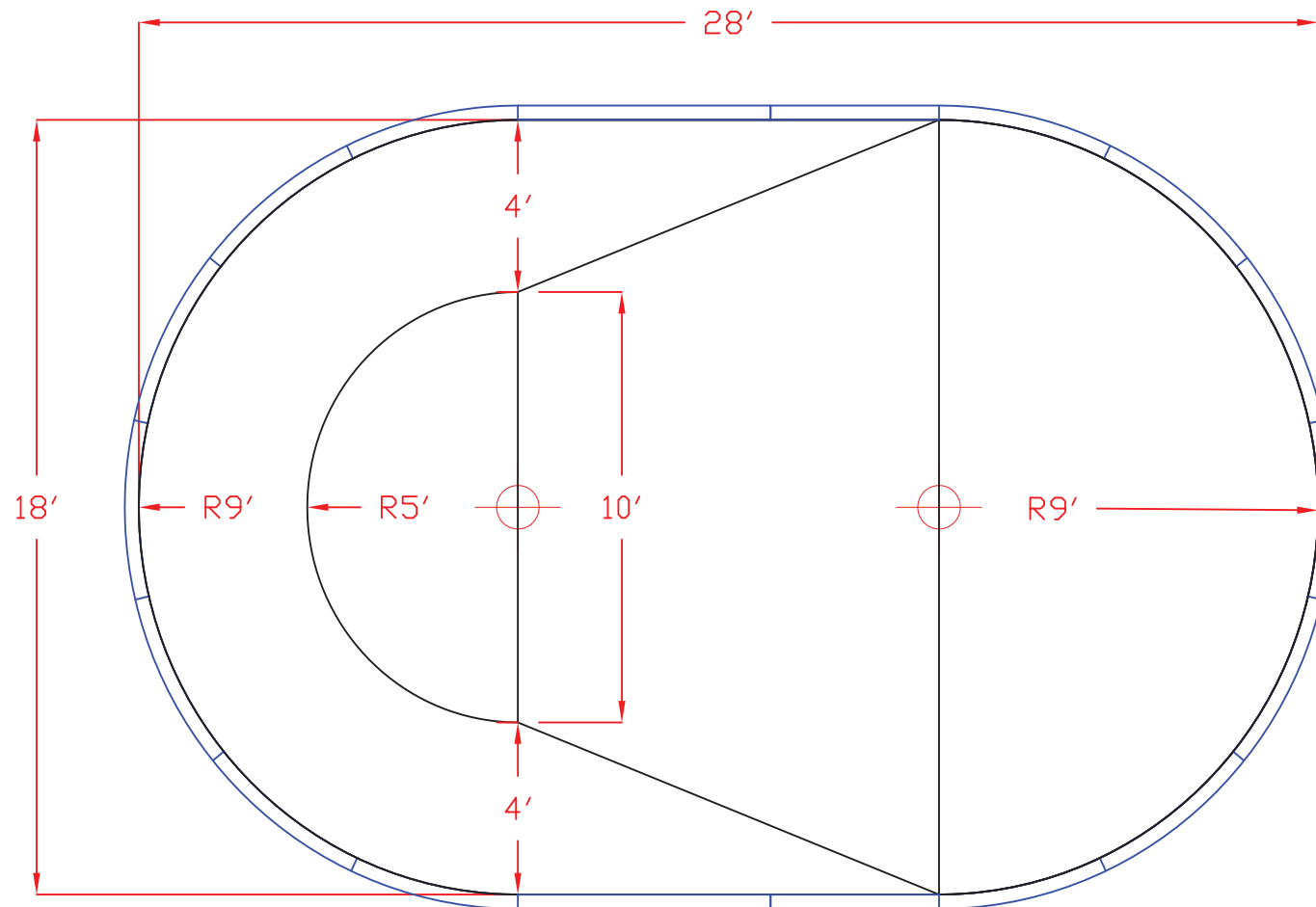
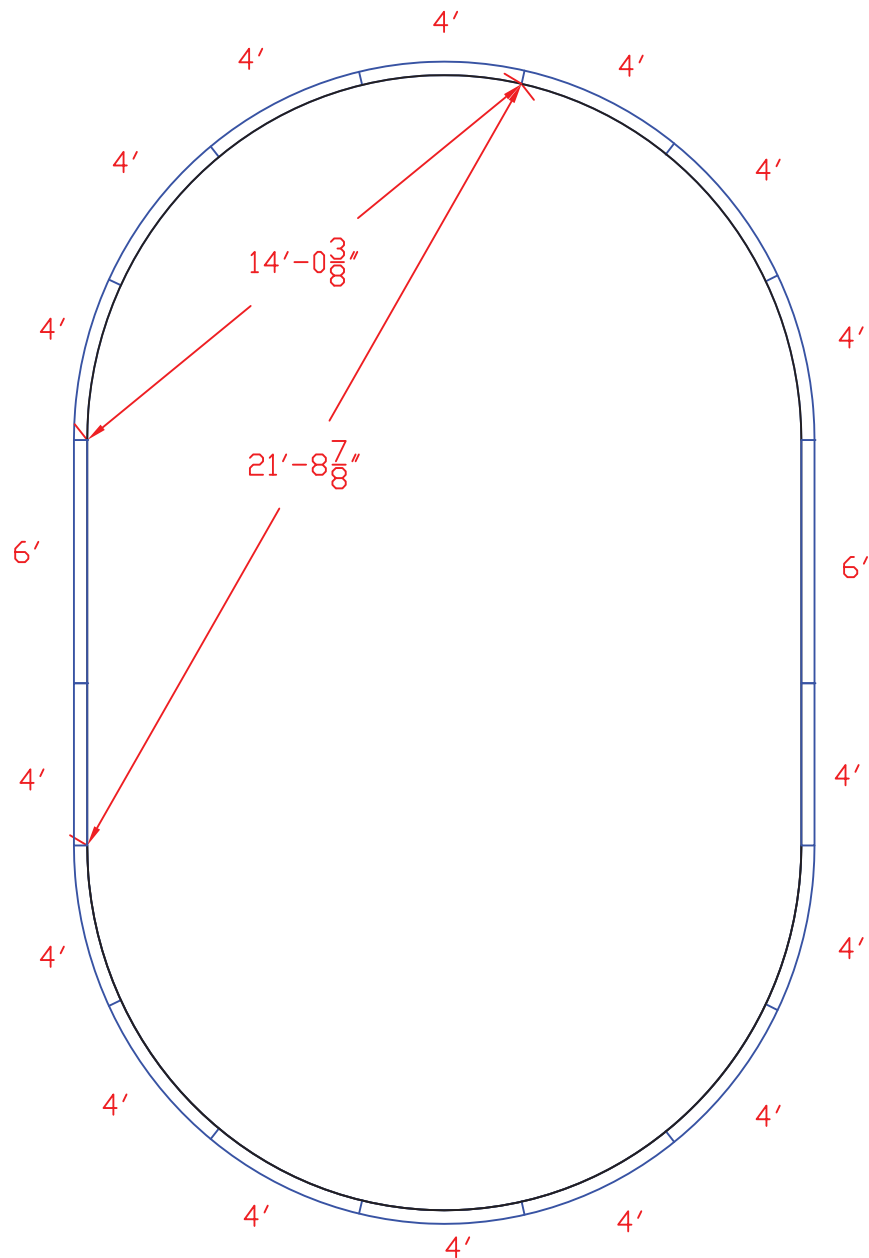
THIS DRAWING IS THE PROPERTY OF POOL BUILDERS SUPPLY AND IS LOANED FOR CONFIDENTIAL USE ONLY, AND SHOULD NOT BE COPIED OR USED FOR ANY PURPOSE DETRIMENTAL TO THE INTEREST OF POOL BUILDERS SUPPLY.

16' X 32'
OVAL - POLY

DATE 08/10/09	DRAWN BY JMH	SIZE B	SCALE NTS	DWG NO. 1 of 1	REV 0
------------------	-----------------	-----------	--------------	-------------------	----------

LIST OF MATERIALS

PART	QUANTITY	PART #
6' PLAIN	2	K23030
4' PLAIN	2	K23032
4' L - 9'R	14	K23034
BRACE	18	POLY BRACE



GENERAL NOTES:
This is a Type 0 pool & NO DIVING is allowed!

This drawing is for illustrative purposes only. Dealer/ builder is an independent contractor and not an agent or employee of Pool Builders Supply. Pool Builders Supply makes no representations other than that which is stated in its written warranty. The customer or Dealer/ Builder is responsible for all construction methods and conforming to all building codes.

Safety rope must be installed 1ft. from break on shallow side.

"No diving" placards must be used.

PERIMETER: 76'-7"

S.A. : 434.47 SQ.FT.

VOLUME: 21,658 GAL.

THIS DRAWING IS THE PROPERTY OF POOL BUILDERS SUPPLY AND IS LOANED FOR CONFIDENTIAL USE ONLY, AND SHOULD NOT BE COPIED OR USED FOR ANY PURPOSE DETRIMENTAL TO THE INTEREST OF POOL BUILDERS SUPPLY.

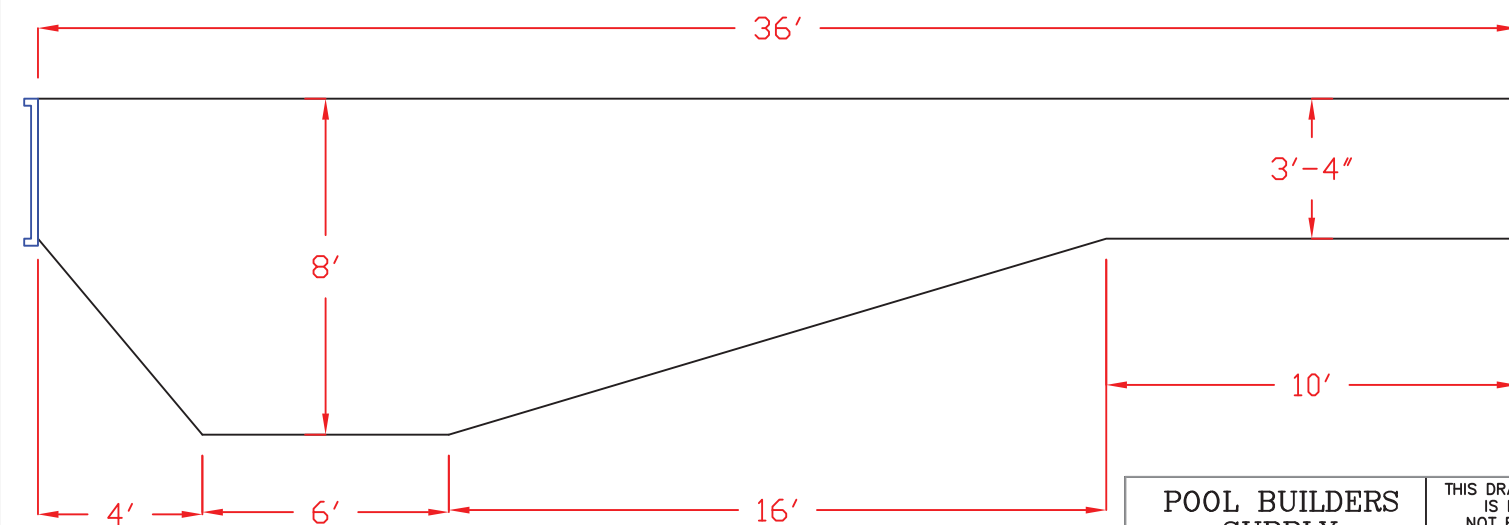
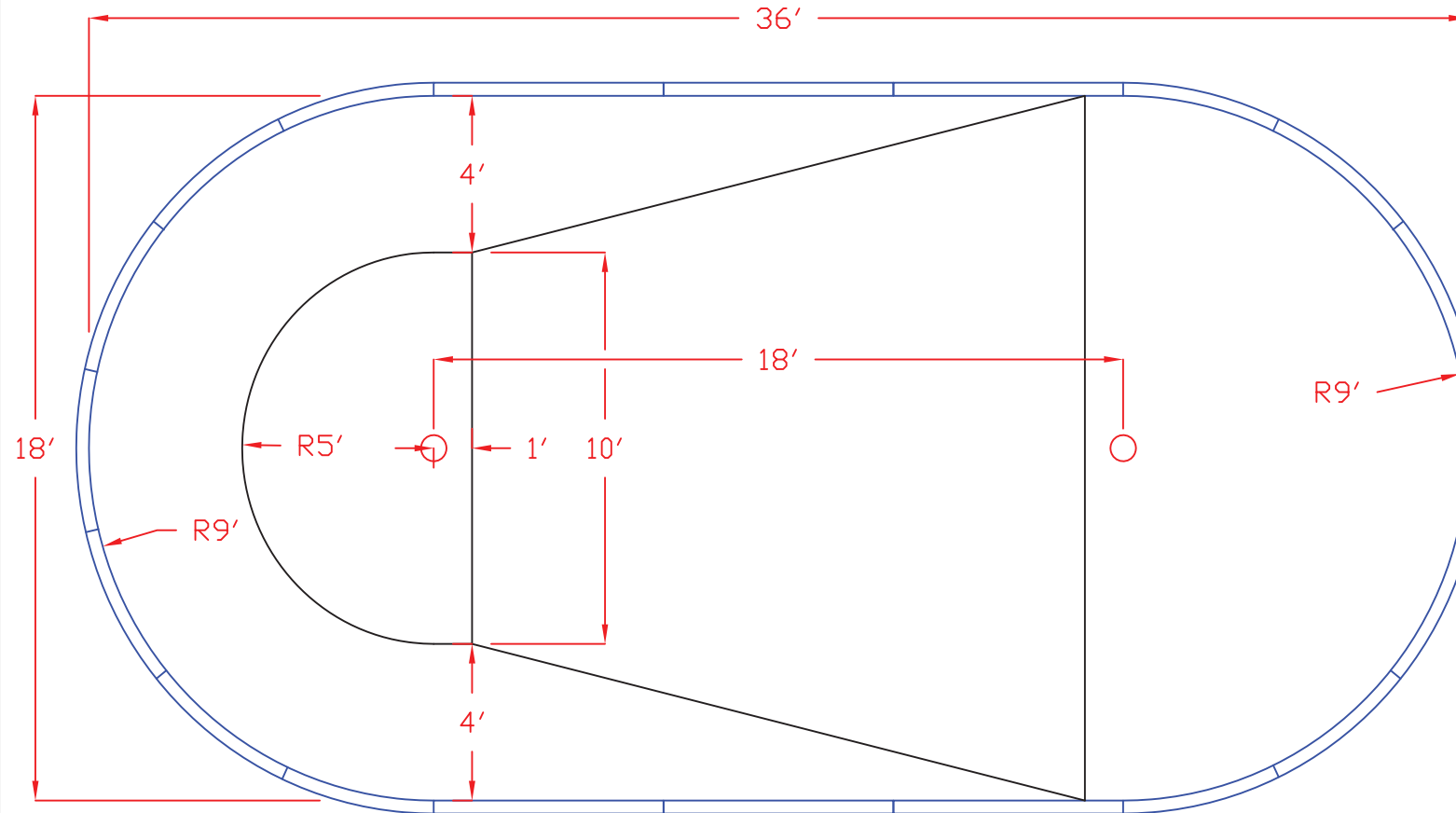
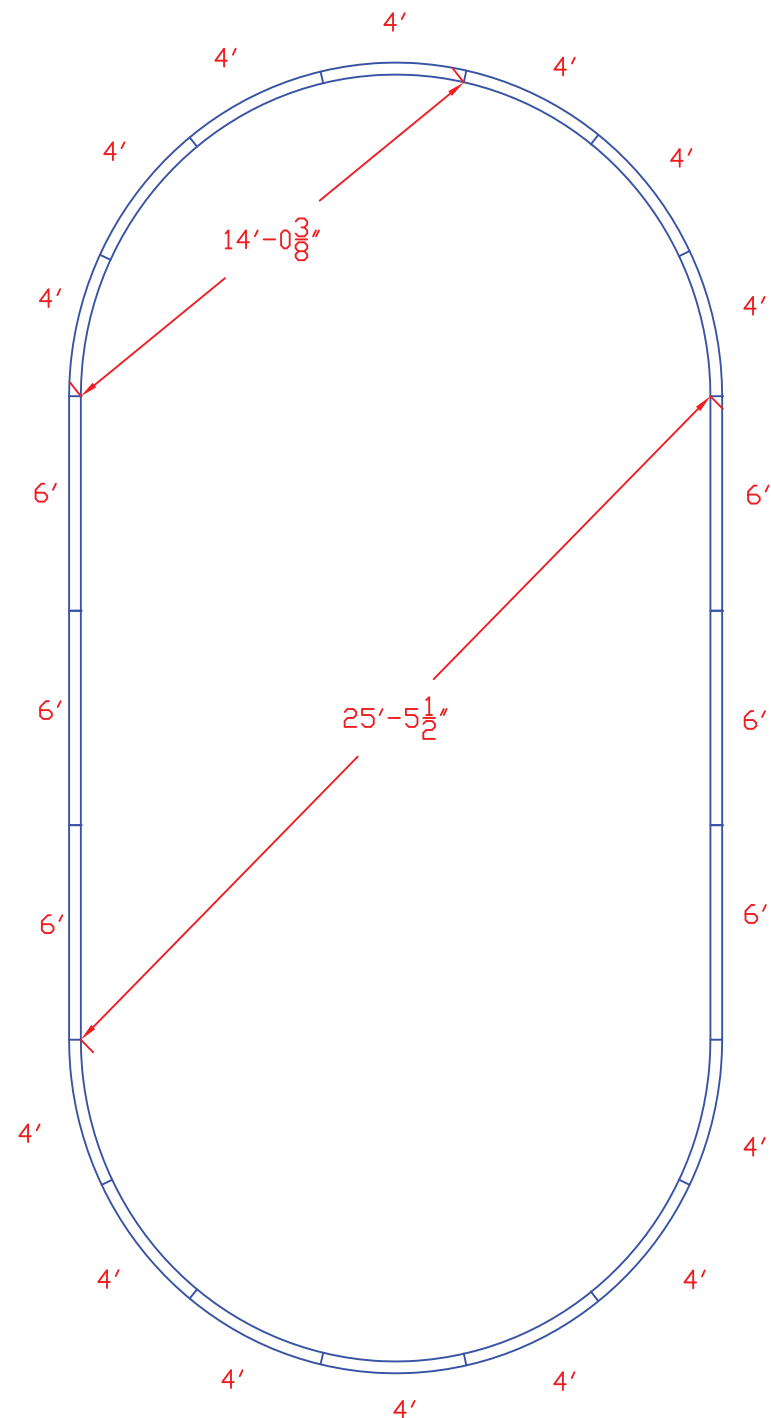
POOL BUILDERS SUPPLY
1124 CENTRAL AVE.
CHARLOTTE, NC
28204

18' x 28' OVAL POLY

DATE 03/22/10	DRAWN BY JMH	SIZE B	SCALE NTS	DWG NO. 1 of 1	REV 0
------------------	-----------------	-----------	--------------	-------------------	----------

LIST OF MATERIALS

PART	QUANTITY	PART #
6' PLAIN	6	K23030
4' L - 9'R	14	K23034
BRACE	20	POLY BRACE



GENERAL NOTES:

This is a Type II pool & Type II diving equipment must be used. Consult diving board manufacturer's specifications.

This drawing is for illustrative purposes only. Dealer/ builder is an independent contractor and not an agent or employee of Pool Builders Supply. Pool Builders Supply makes no representations other than that which is stated in its written warranty. The customer or Dealer/ Builder is responsible for all construction methods and conforming to all building codes.

Safety rope must be installed 1ft. from break on shallow side.

No diving placards must be used in the shallow end.

PERIMETER: 92'-7"

S.A. : 578.47 SQ.FT.

VOLUME: 19,250 GAL.

**POOL BUILDERS
SUPPLY**
1124 CENTRAL AVE.
CHARLOTTE, NC
28204

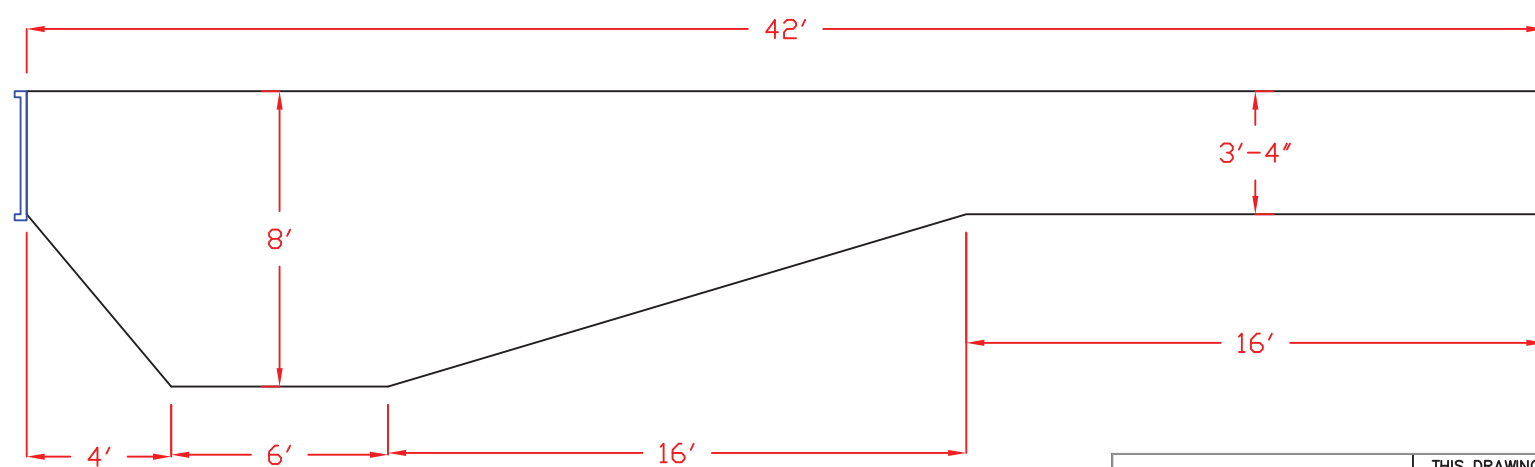
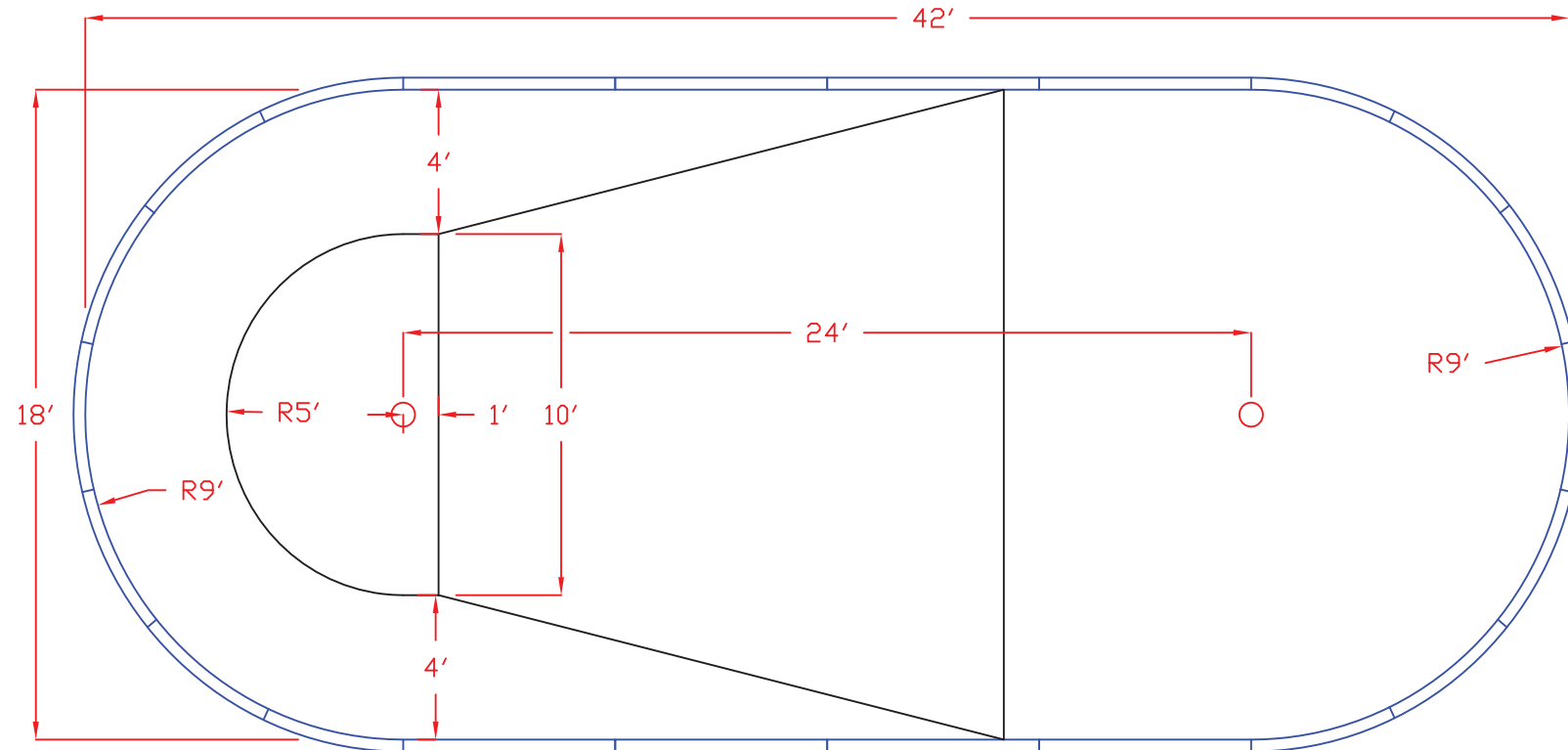
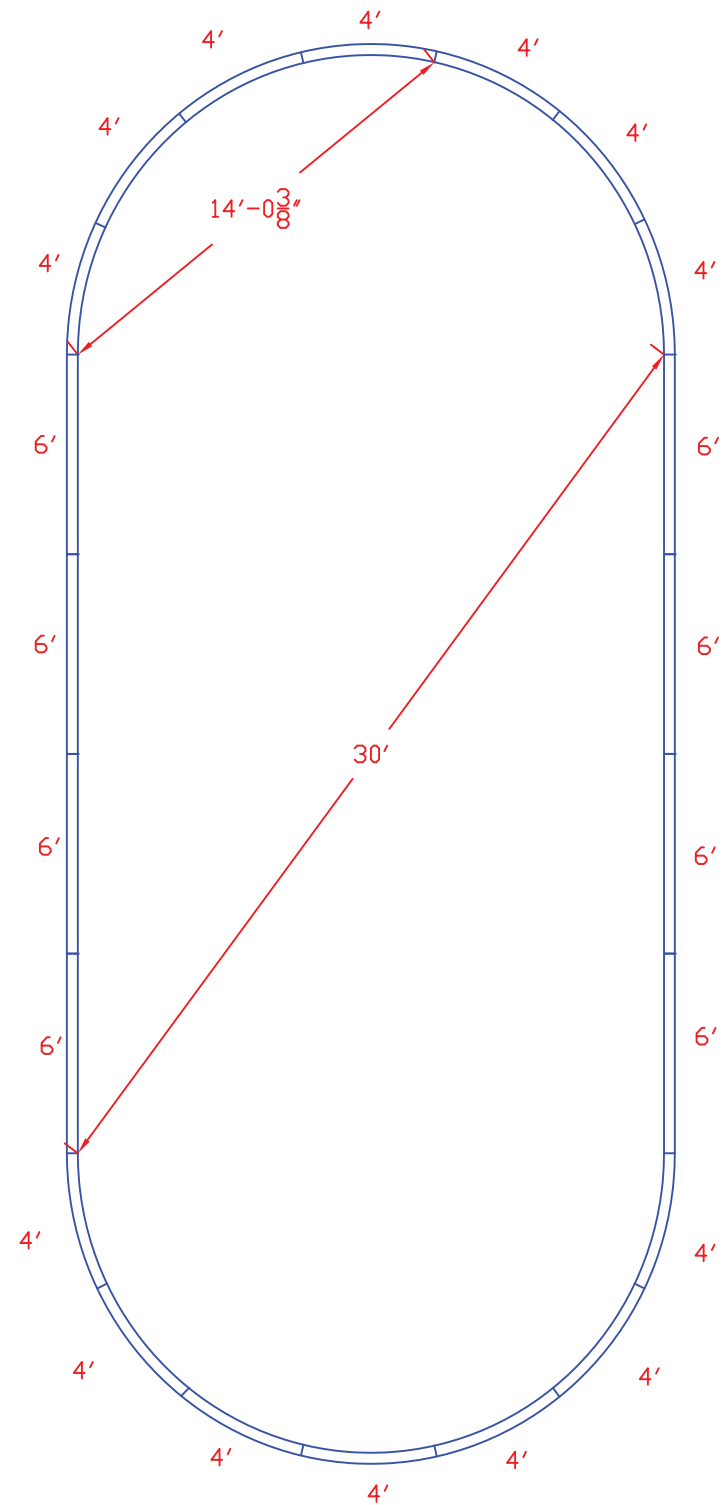
THIS DRAWING IS THE PROPERTY OF POOL BUILDERS SUPPLY AND IS LOANED FOR CONFIDENTIAL USE ONLY, AND SHOULD NOT BE COPIED OR USED FOR ANY PURPOSE DETRIMENTAL TO THE INTEREST OF POOL BUILDERS SUPPLY.

18' X 36'
OVAL - POLY

DATE	DRAWN BY	SIZE	SCALE	DWG NO.	REV
08/10/09	JMH	B	NTS	1 of 1	0

LIST OF MATERIALS

PART	QUANTITY	PART #
6' PLAIN	8	K23030
4'L - 9'R BRACE	14	K23034
	22	POLY BRACE



GENERAL NOTES:

This is a Type II pool & Type II diving equipment must be used. Consult diving board manufacturer's specifications.

This drawing is for illustrative purposes only. Dealer/ builder is an independent contractor and not an agent or employee of Pool Builders Supply. Pool Builders Supply makes no representations other than that which is stated in its written warranty. The customer or Dealer/ Builder is responsible for all construction methods and conforming to all building codes.

Safety rope must be installed 1ft. from break on shallow side.

No diving placards must be used in the shallow end.

PERIMETER: 104'-7"

S.A. : 686.47 SQ.FT.

VOLUME: 25,103 GAL.

**POOL BUILDERS
SUPPLY**

1124 CENTRAL AVE.
CHARLOTTE, NC
28204

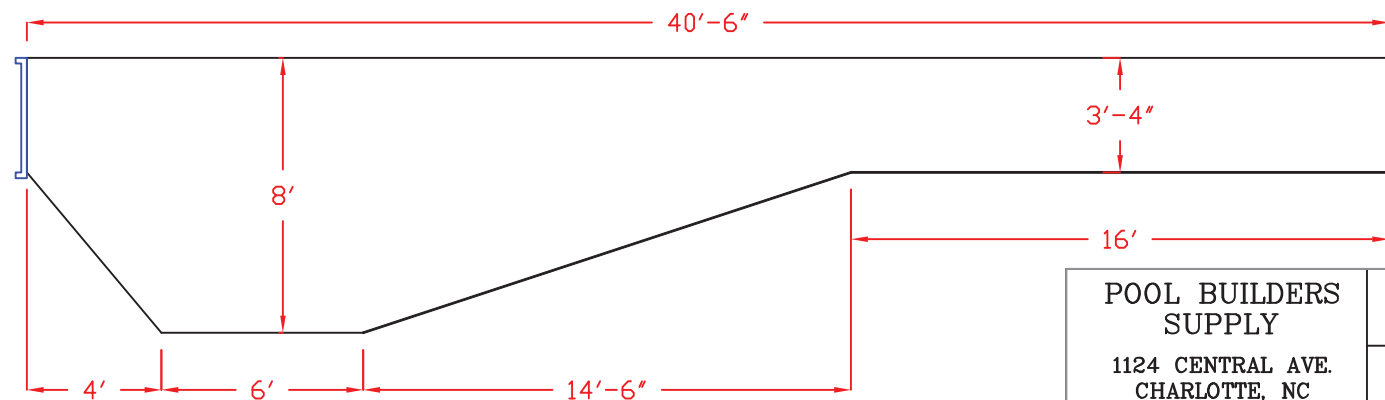
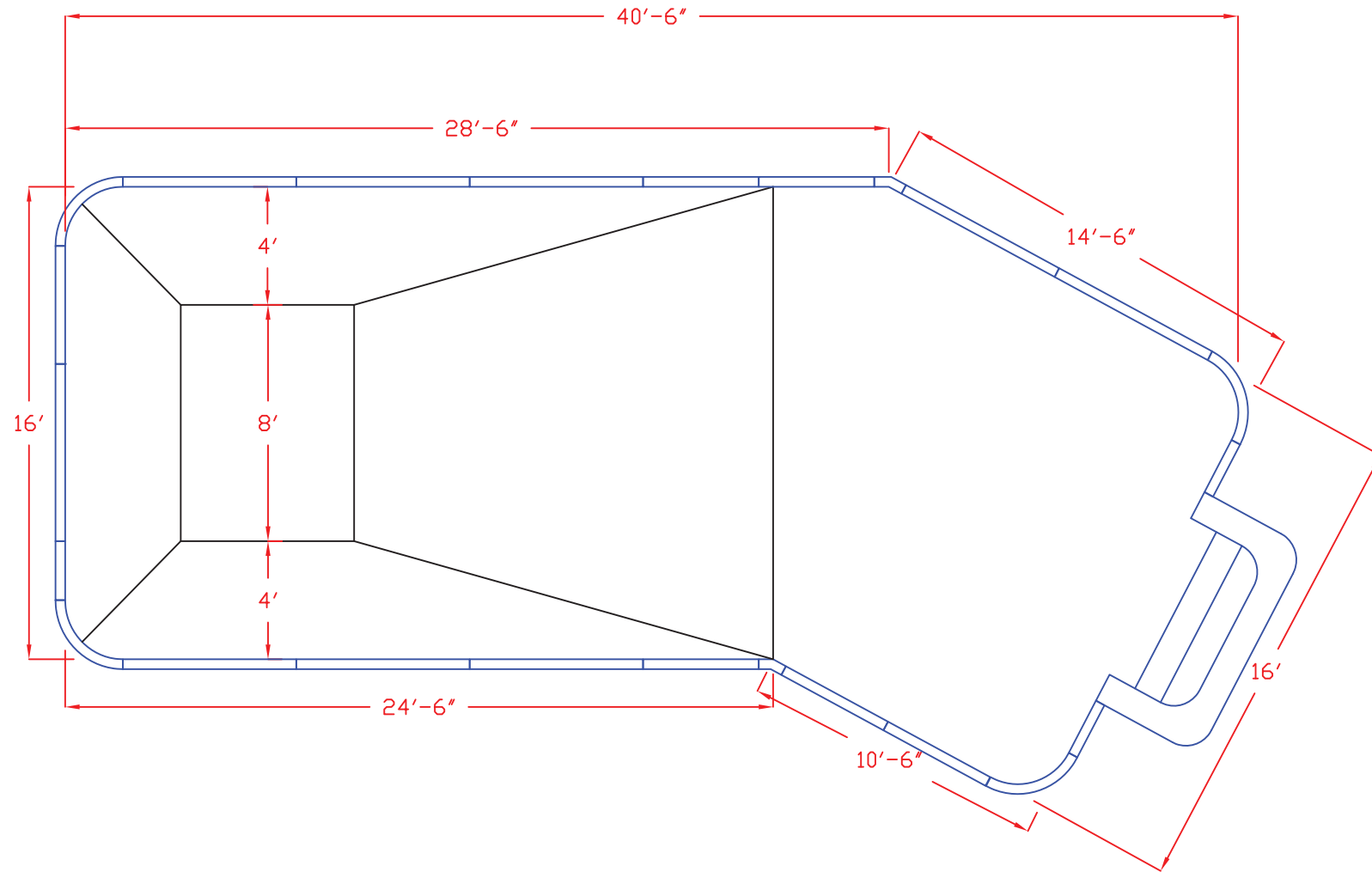
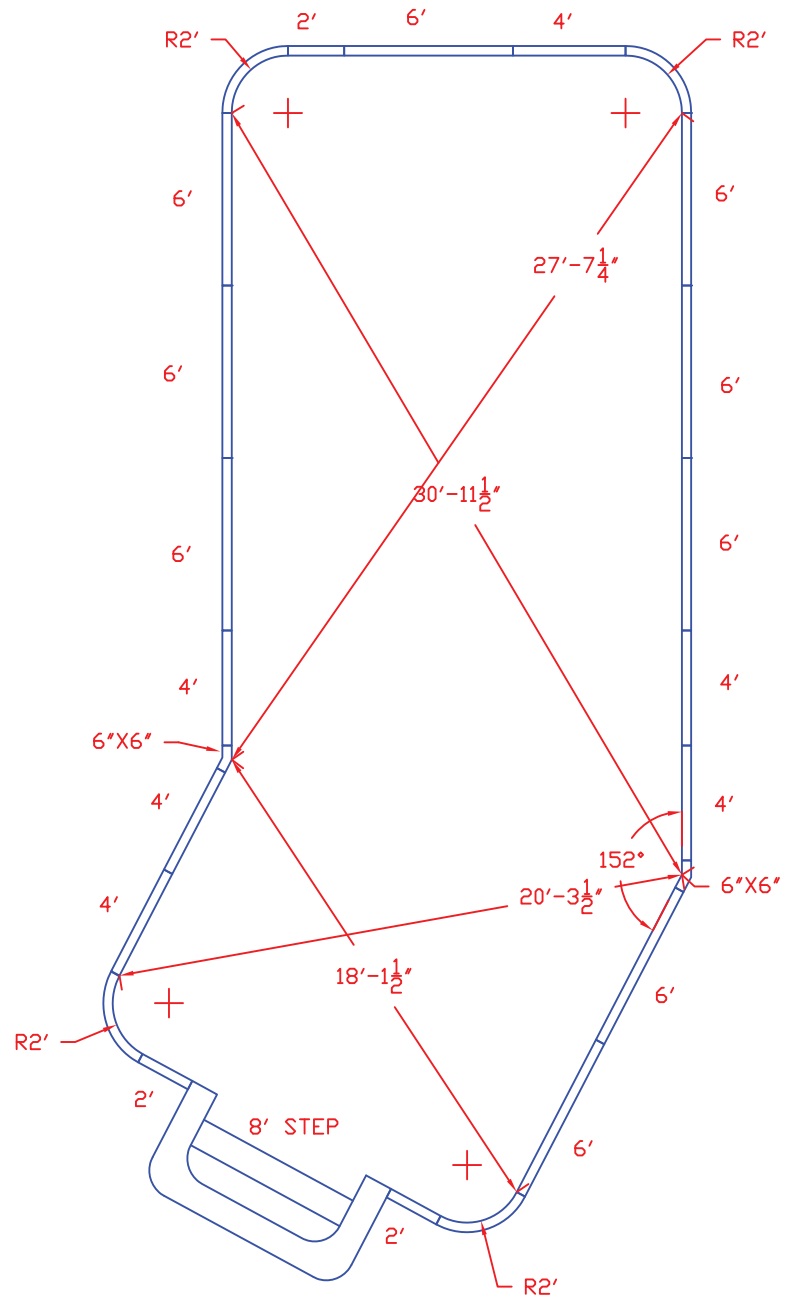
THIS DRAWING IS THE PROPERTY OF POOL BUILDERS SUPPLY AND IS LOANED FOR CONFIDENTIAL USE ONLY, AND SHOULD NOT BE COPIED OR USED FOR ANY PURPOSE DETRIMENTAL TO THE INTEREST OF POOL BUILDERS SUPPLY.

18' X 42'
OVAL - POLY

DATE	DRAWN BY	SIZE	SCALE	DWG NO.	REV
08/10/09	JMH	B	NTS	1 of 1	0

LIST OF MATERIALS

PART	QUANTITY	PART #
8' STEP	1	PBS-8
6' PLAIN	9	K23030
4' PLAIN	6	K23032
2' PLAIN	3	K23028
2' RADIUS	4	K23033
6"x6" 152 PANEL	1	K150-152 DEG
6"x6" 28 PANEL	1	K28-30 DEG
BRACE	25	POLY BRACE



GENERAL NOTES:
 This is a Type II pool & Type II diving equipment must be used. Consult diving board manufacturer's specifications.

This drawing is for illustrative purposes only. Dealer/ builder is an independent contractor and not an agent or employee of Pool Builders Supply. Pool Builders Supply makes no representations other than that which is stated in its written warranty. The customer or Dealer/ Builder is responsible for all construction methods and conforming to all building codes.

Safety rope must be installed 1ft. from break on shallow side.

No diving placards must be used in the shallow end.

PERIMETER: 118'-7"
S.A. : 751.69 SQ.FT.
VOLUME: 25,933 GAL.

POOL BUILDERS SUPPLY
 1124 CENTRAL AVE.
 CHARLOTTE, NC
 28204

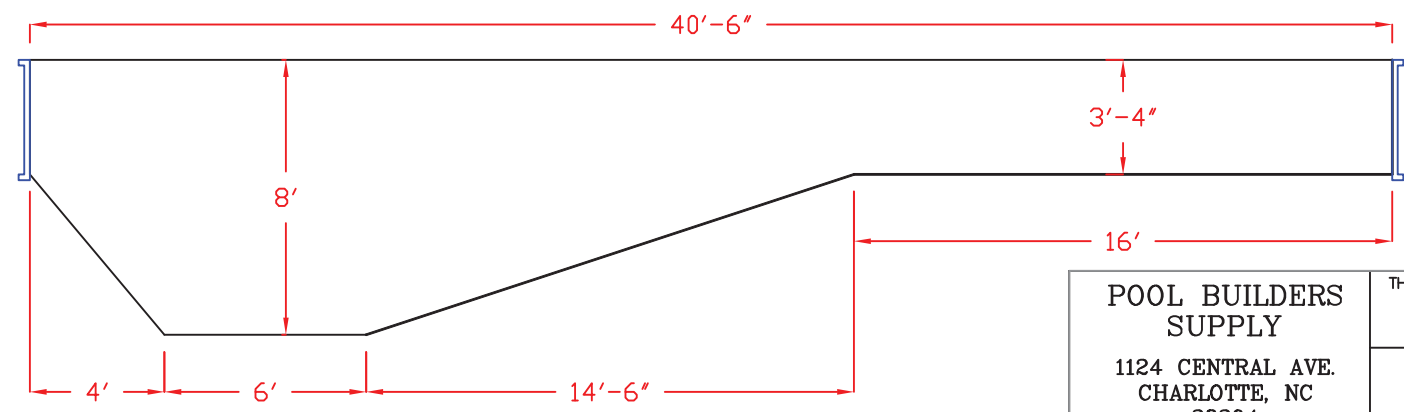
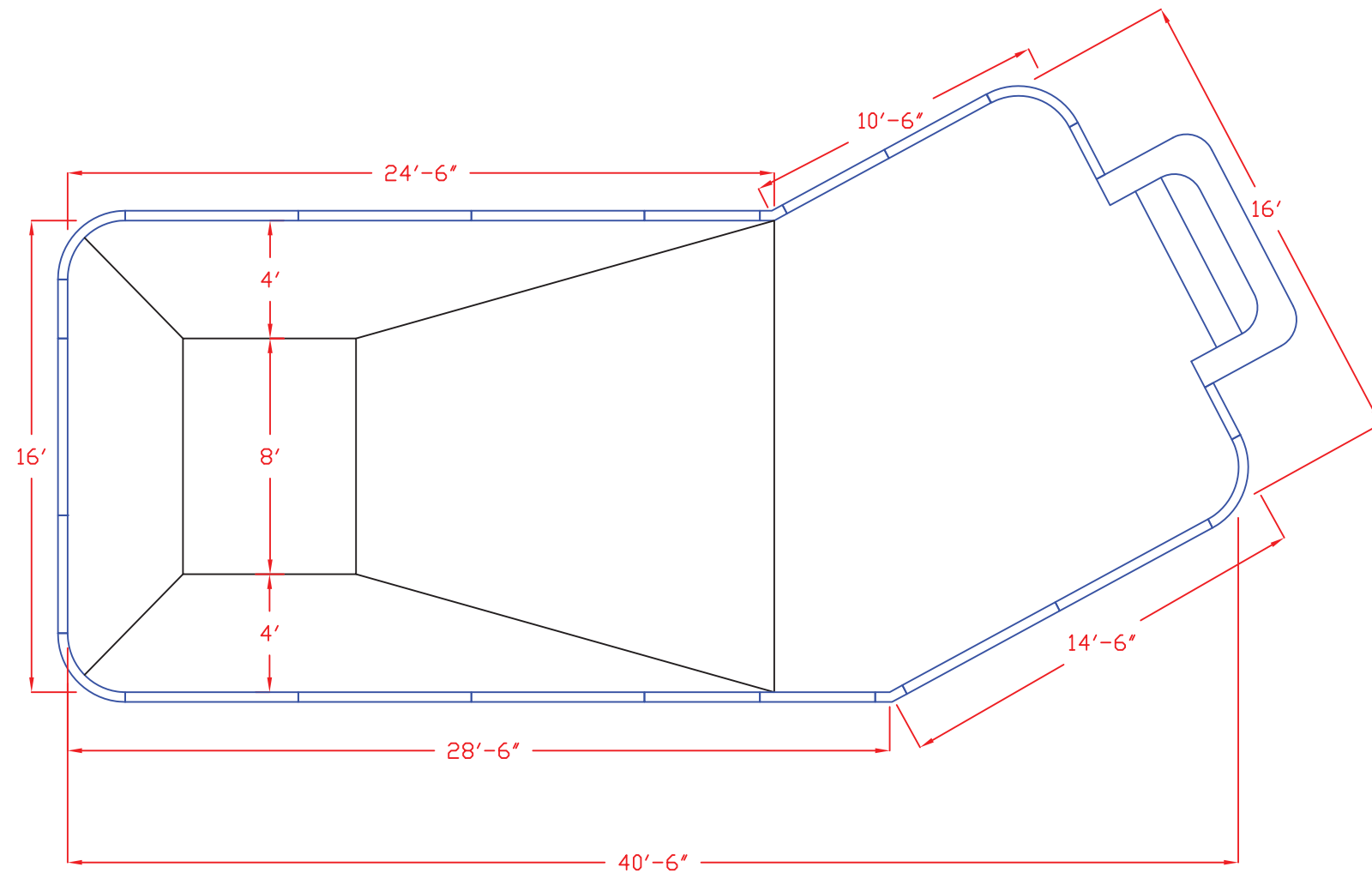
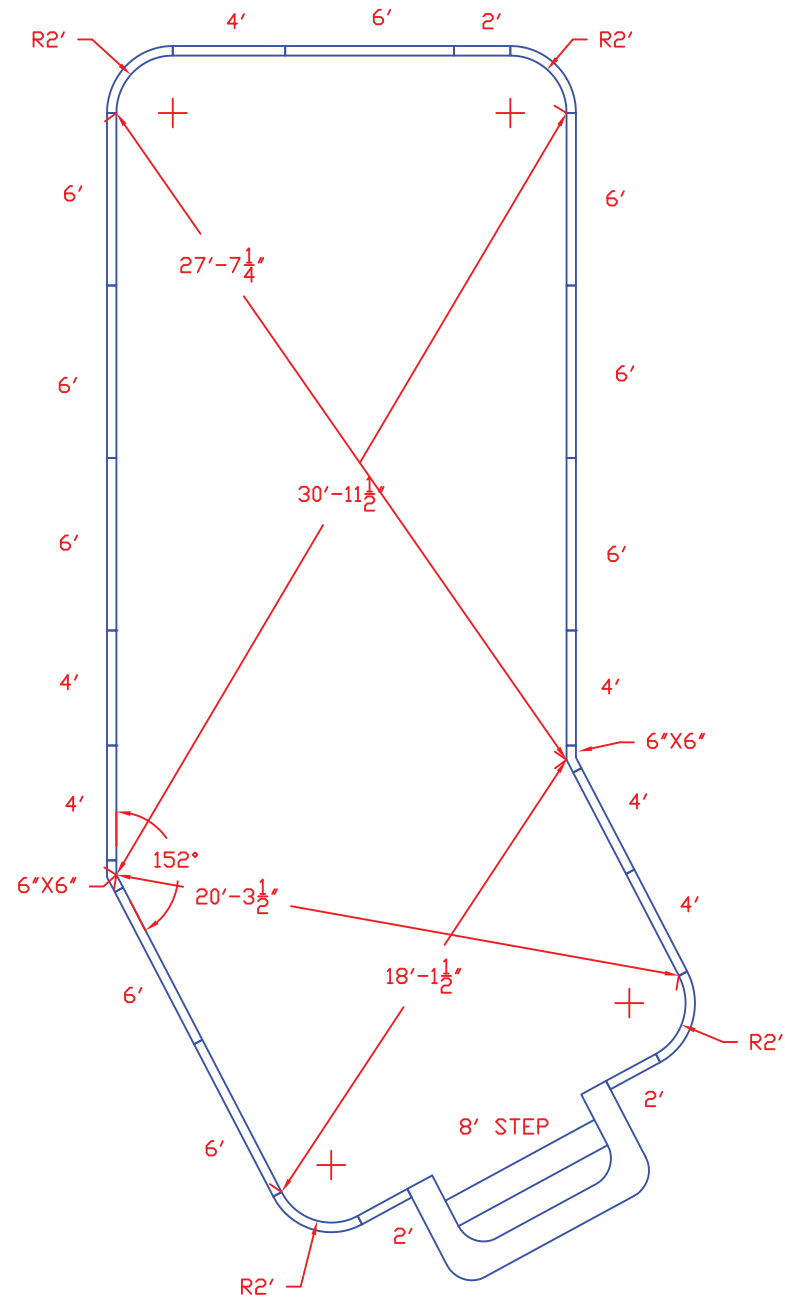
THIS DRAWING IS THE PROPERTY OF POOL BUILDERS SUPPLY AND IS LOANED FOR CONFIDENTIAL USE ONLY, AND SHOULD NOT BE COPIED OR USED FOR ANY PURPOSE DETRIMENTAL TO THE INTEREST OF POOL BUILDERS SUPPLY.

16' X 40' W/ 2'R
 LAZY L LEFT - POLY

DATE 08/10/09	DRAWN BY JMH	SIZE B	SCALE NTS	DWG NO. 1 of 1	REV 0
------------------	-----------------	-----------	--------------	-------------------	----------

LIST OF MATERIALS

PART	QUANTITY	PART #
8' STEP	1	PBS-8
6' PLAIN	9	K23030
4' PLAIN	6	K23032
2' PLAIN	3	K23028
2' RADIUS	4	K23033
6"x6" 152 PANEL	1	K250-152 DEG
6"x6" 28 PANEL	1	K28-30 DEG
BRACE	25	POLY BRACE



GENERAL NOTES:
 This is a Type II pool & Type II diving equipment must be used. Consult diving board manufacturer's specifications.

This drawing is for illustrative purposes only. Dealer/ builder is an independent contractor and not an agent or employee of Pool Builders Supply. Pool Builders Supply makes no representations other than that which is stated in its written warranty. The customer or Dealer/ Builder is responsible for all construction methods and conforming to all building codes.

Safety rope must be installed 1ft. from break on shallow side.

No diving placards must be used in the shallow end.

PERIMETER: 118'-7"
S.A. : 751.69 SQ.FT.
VOLUME: 25,933 GAL.

POOL BUILDERS SUPPLY
 1124 CENTRAL AVE.
 CHARLOTTE, NC
 28204

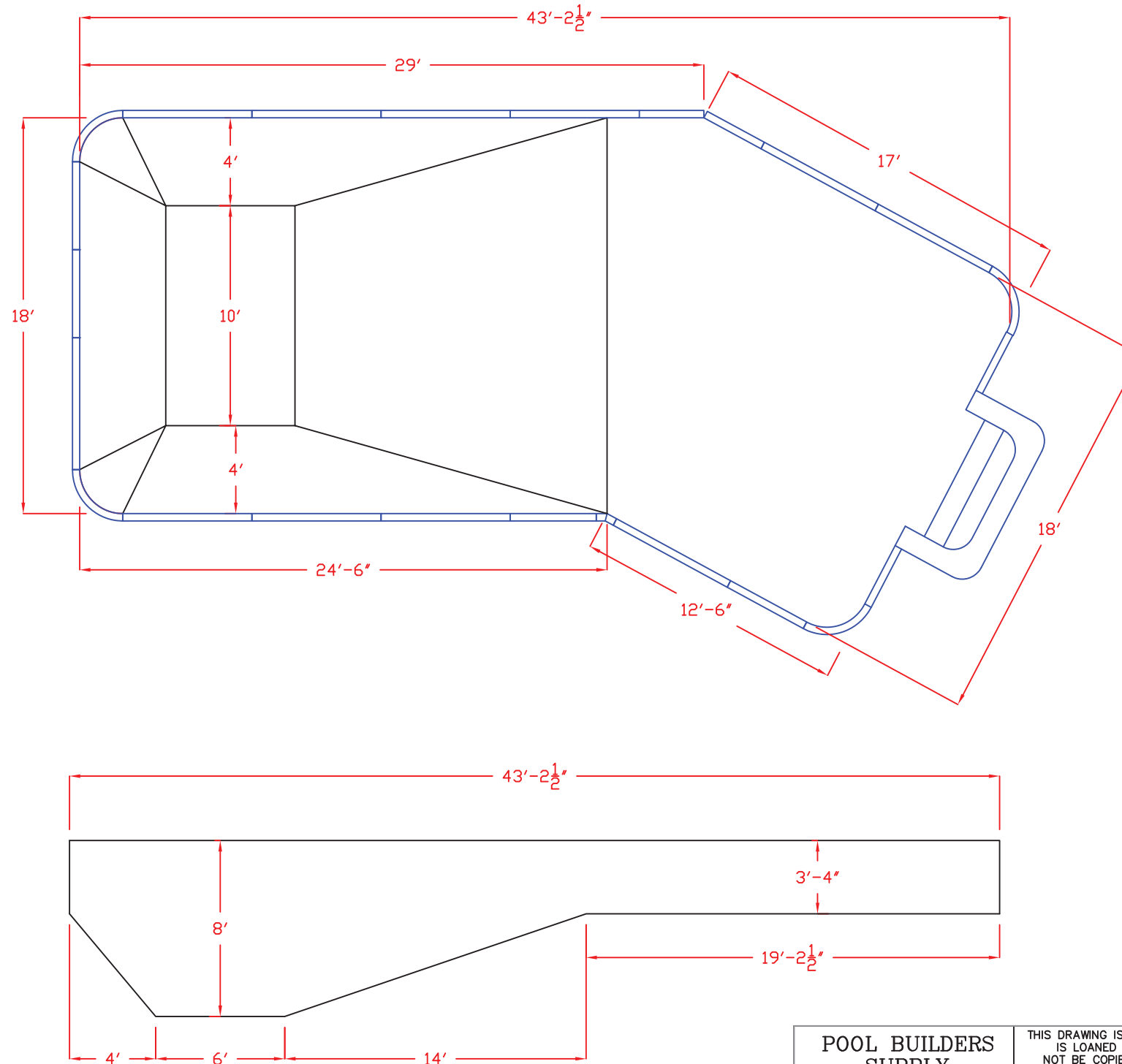
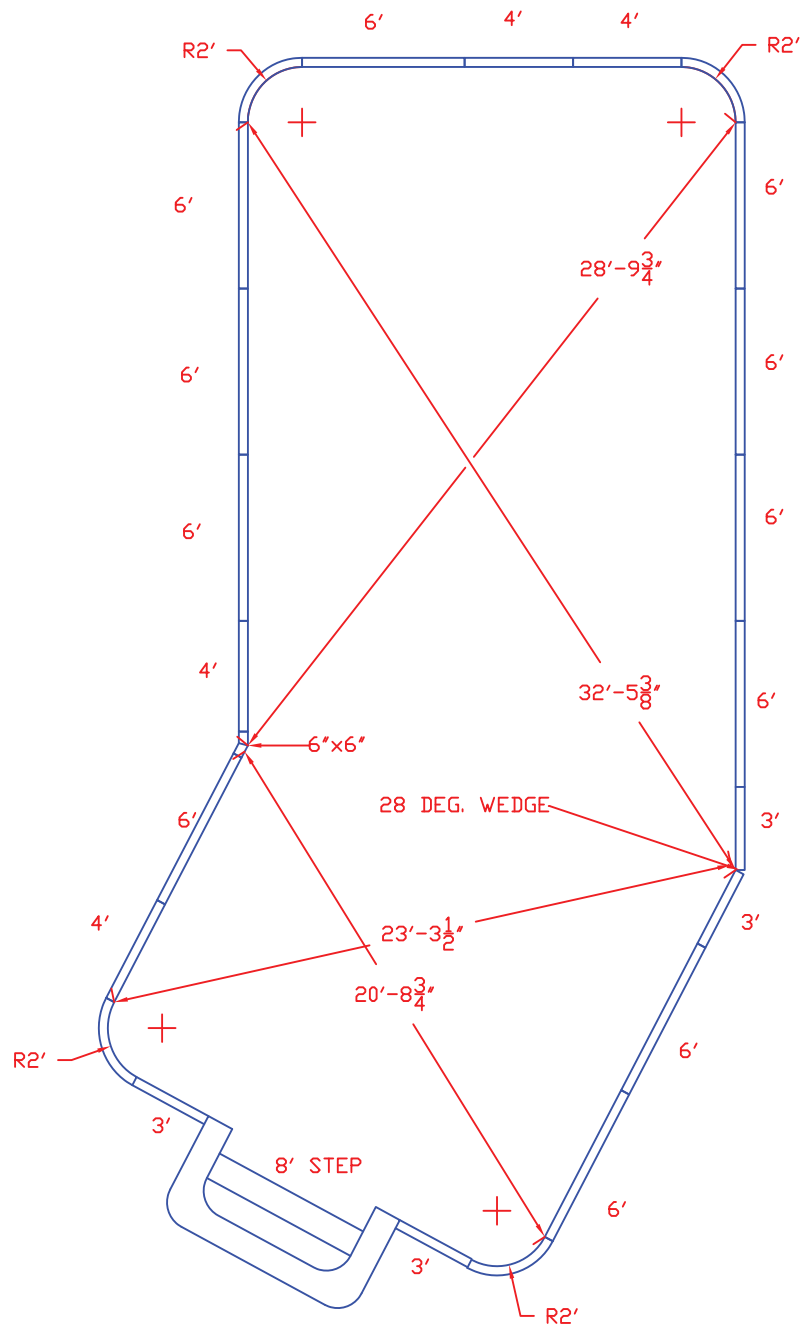
THIS DRAWING IS THE PROPERTY OF POOL BUILDERS SUPPLY AND IS LOANED FOR CONFIDENTIAL USE ONLY, AND SHOULD NOT BE COPIED OR USED FOR ANY PURPOSE DETRIMENTAL TO THE INTEREST OF POOL BUILDERS SUPPLY.

16' X 40' W/ 2'R
 LAZY L RIGHT - POLY

DATE 08/10/09	DRAWN BY JMH	SIZE B	SCALE NTS	DWG NO. 1 of 1	REV 0
------------------	-----------------	-----------	--------------	-------------------	----------

LIST OF MATERIALS

PART	QUANTITY	PART #
8' STEP	1	PBS-8
6' PLAIN	11	K23030
4' PLAIN	4	K23032
3' PLAIN	4	K23029
2' RADIUS	4	K23033
6"X6" 152 PANEL	1	K150-152 DEG
28 DEG WEDGE	1	28DEG WEDGE
BRACE	26	POLY BRACE



GENERAL NOTES:
 This is a Type II pool & Type II diving equipment must be used. Consult diving board manufacturer's specifications.

This drawing is for illustrative purposes only. Dealer/ builder is an independent contractor and not an agent or employee of Pool Builders Supply. Pool Builders Supply makes no representations other than that which is stated in its written warranty. The customer or Dealer/ Builder is responsible for all construction methods and conforming to all building codes.

Safety rope must be installed 1ft. from break on shallow side.

No diving placards must be used in the shallow end.

PERIMETER: 115'-7"
S.A. : 743.65 SQ.FT.
VOLUME: 25,369 GAL.

**POOL BUILDERS
 SUPPLY**
 1124 CENTRAL AVE.
 CHARLOTTE, NC
 28204

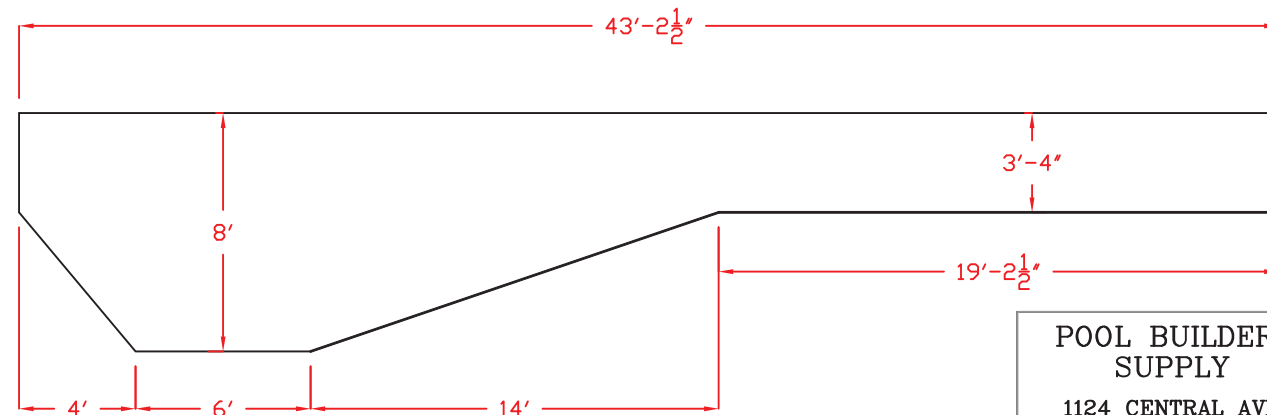
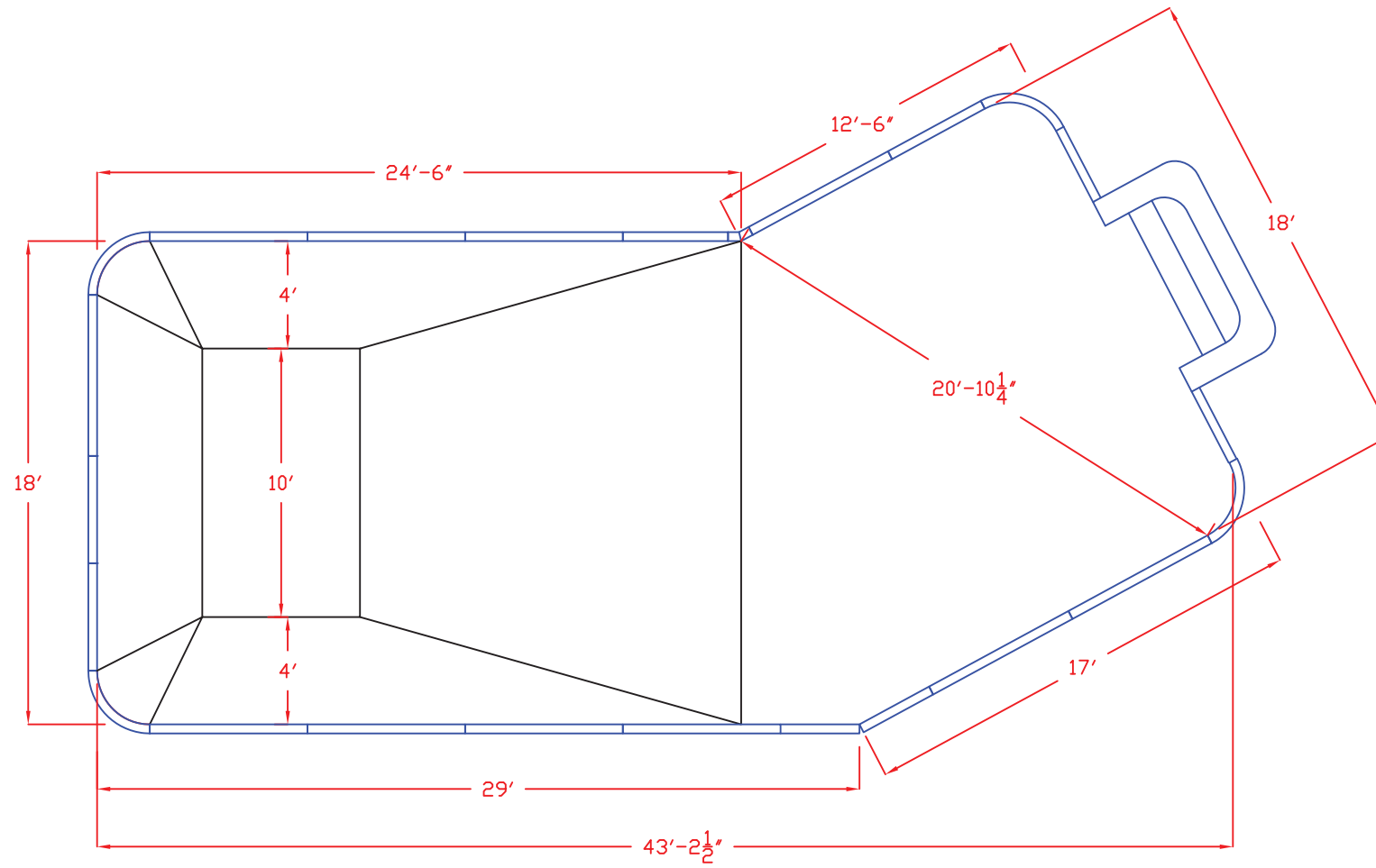
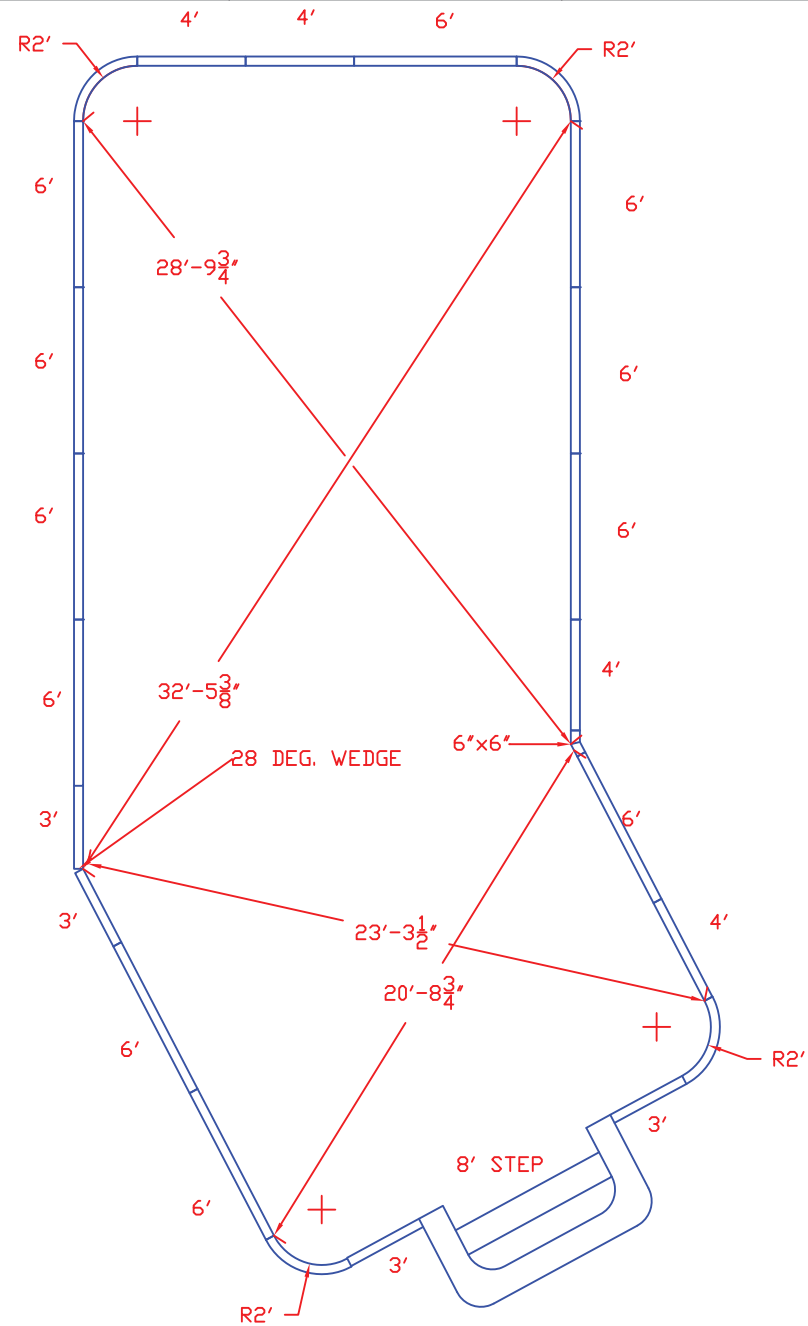
THIS DRAWING IS THE PROPERTY OF POOL BUILDERS SUPPLY AND IS LOANED FOR CONFIDENTIAL USE ONLY, AND SHOULD NOT BE COPIED OR USED FOR ANY PURPOSE DETRIMENTAL TO THE INTEREST OF POOL BUILDERS SUPPLY.

18' X 44' W/ 2'R
 LAZY L LEFT - POLY

DATE 08/10/09	DRAWN BY JMH	SIZE B	SCALE NTS	DWG NO. 1 of 1	REV 0
------------------	-----------------	-----------	--------------	-------------------	----------

LIST OF MATERIALS

PART	QUANTITY	PART #
8' STEP	1	PBS-8
6' PLAIN	11	K23030
4' PLAIN	4	K23032
3' PLAIN	4	K23029
2' RADIUS	4	K23033
6"X6" 152 PANEL	1	K150-152 DEG
28 DEG WEDGE	1	28DEG WEDGE
BRACE	26	POLY BRACE



GENERAL NOTES:

This is a Type II pool & Type II diving equipment must be used. Consult diving board manufacturer's specifications.

This drawing is for illustrative purposes only. Dealer/ builder is an independent contractor and not an agent or employee of Pool Builders Supply. Pool Builders Supply makes no representations other than that which is stated in its written warranty. The customer or Dealer/ Builder is responsible for all construction methods and conforming to all building codes.

Safety rope must be installed 1ft. from break on shallow side.

No diving placards must be used in the shallow end.

PERIMETER: 115'-7"

S.A. : 743.65 SQ.FT.

VOLUME: 25,369 GAL.

**POOL BUILDERS
SUPPLY**

1124 CENTRAL AVE.
CHARLOTTE, NC
28204

DATE
08/10/09

DRAWN BY
JMH

THIS DRAWING IS THE PROPERTY OF POOL BUILDERS SUPPLY AND IS LOANED FOR CONFIDENTIAL USE ONLY, AND SHOULD NOT BE COPIED OR USED FOR ANY PURPOSE DETRIMENTAL TO THE INTEREST OF POOL BUILDERS SUPPLY.

18' X 44' W/ 2'R
LAZY L RIGHT - POLY

SIZE
B

SCALE
NTS

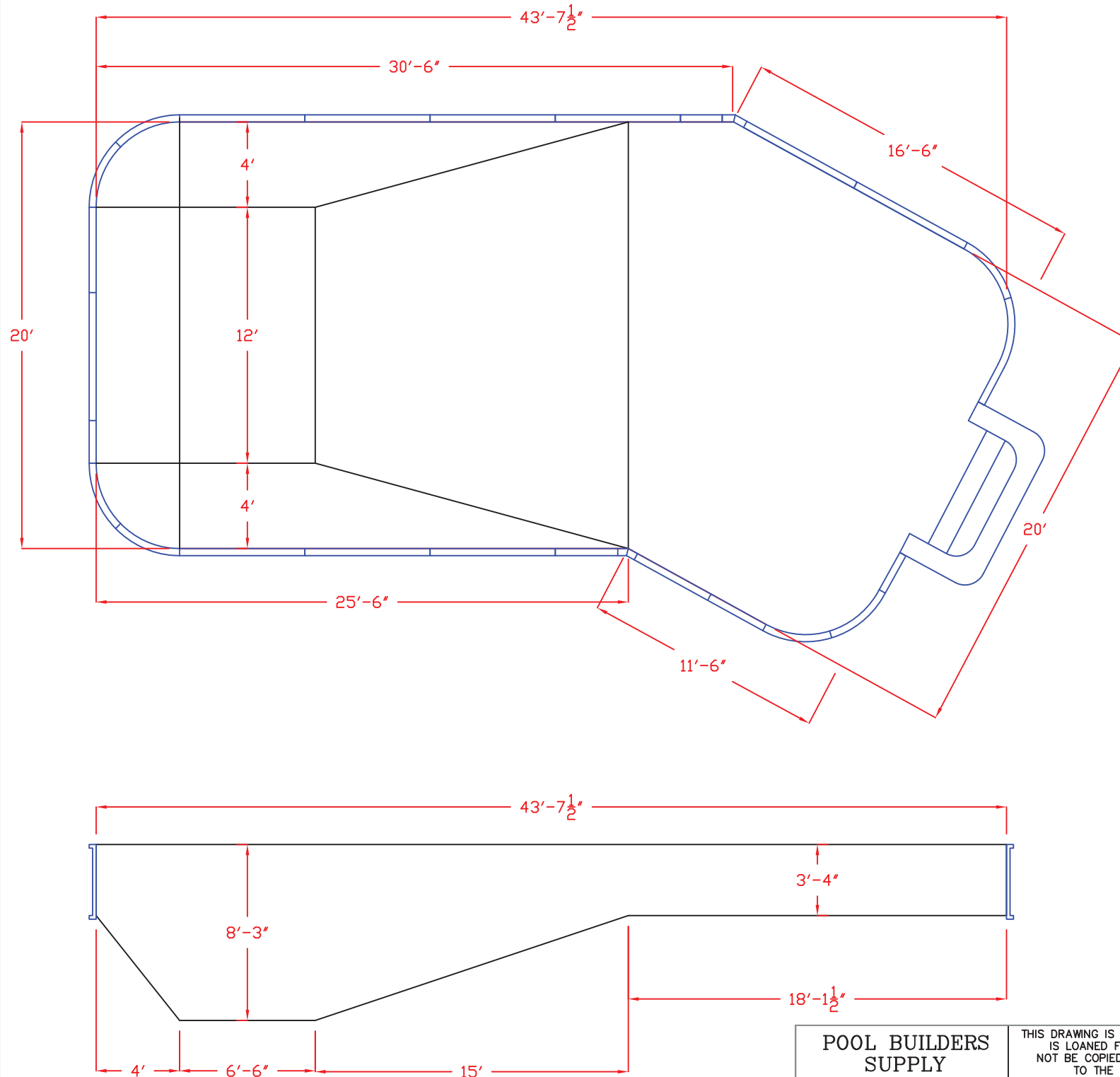
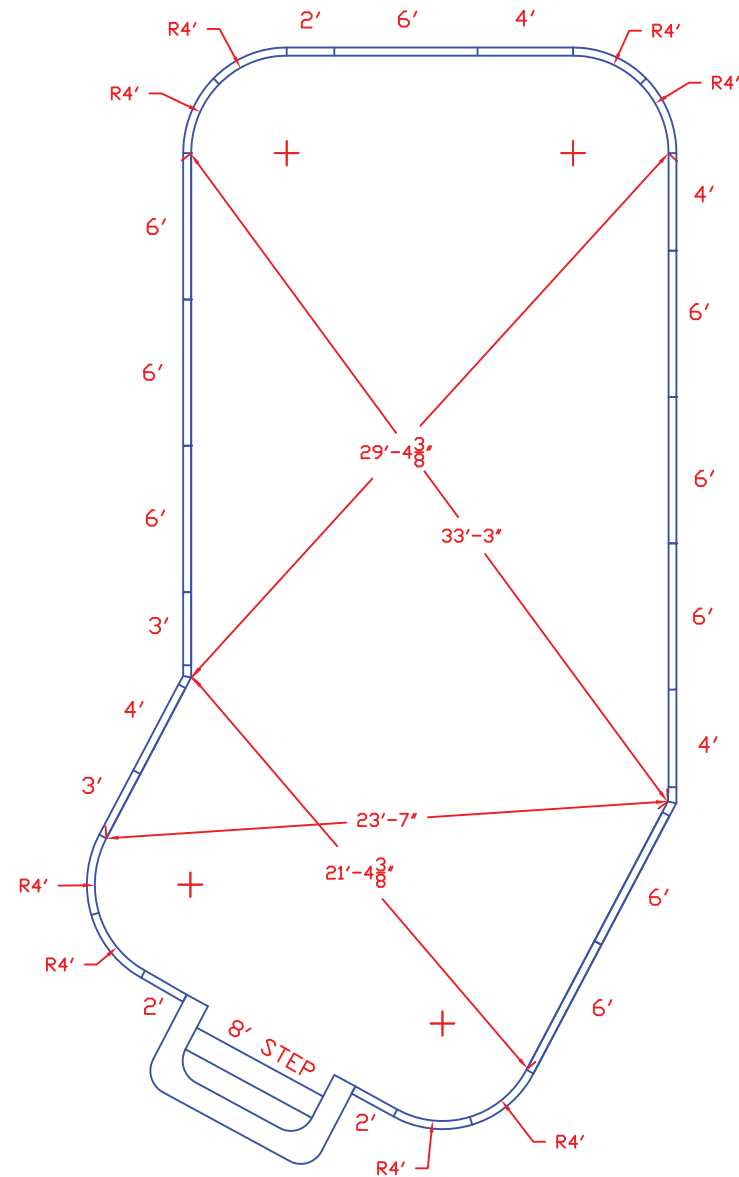
DWG NO.

1 of 1

REV
0

LIST OF MATERIALS

PART	QUANTITY	PART #
8' STEP	1	PBS-8
6' PLAIN	9	K23030
4' PLAIN	4	K23032
3' PLAIN	2	K23029
2' PLAIN	3	K23028
4' RADIUS	8	K23031
6"X6" 152 PANEL	1	K150-152 DEG
6"X6" 28 PANEL	1	K28-30 DEG
BRACE	25	POLY BRACE



GENERAL NOTES:
 This is a Type II pool & Type II diving equipment must be used. Consult diving board manufacturer's specifications.

This drawing is for illustrative purposes only. Dealer/ builder is an independent contractor and not an agent or employee of Pool Builders Supply. Pool Builders Supply makes no representations other than that which is stated in its written warranty. The customer or Dealer/ Builder is responsible for all construction methods and conforming to all building codes.

Safety rope must be installed 1ft. from break on shallow side.

No diving placards must be used in the shallow end.

PERIMETER: 118'-7"
S.A. : 751.69 SQ.FT.
VOLUME: 25,933 GAL.

POOL BUILDERS SUPPLY
 1124 CENTRAL AVE.
 CHARLOTTE, NC
 28204

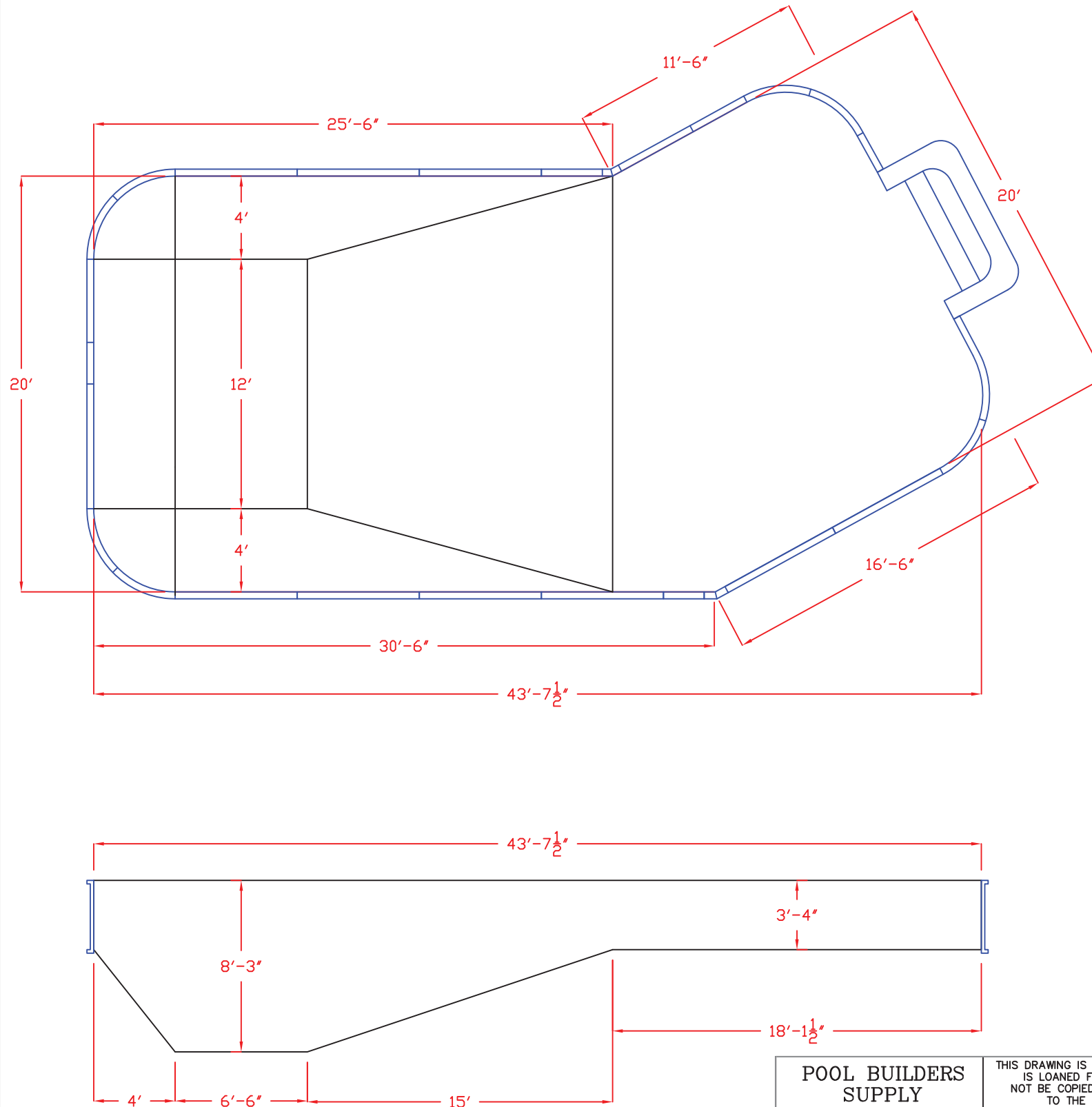
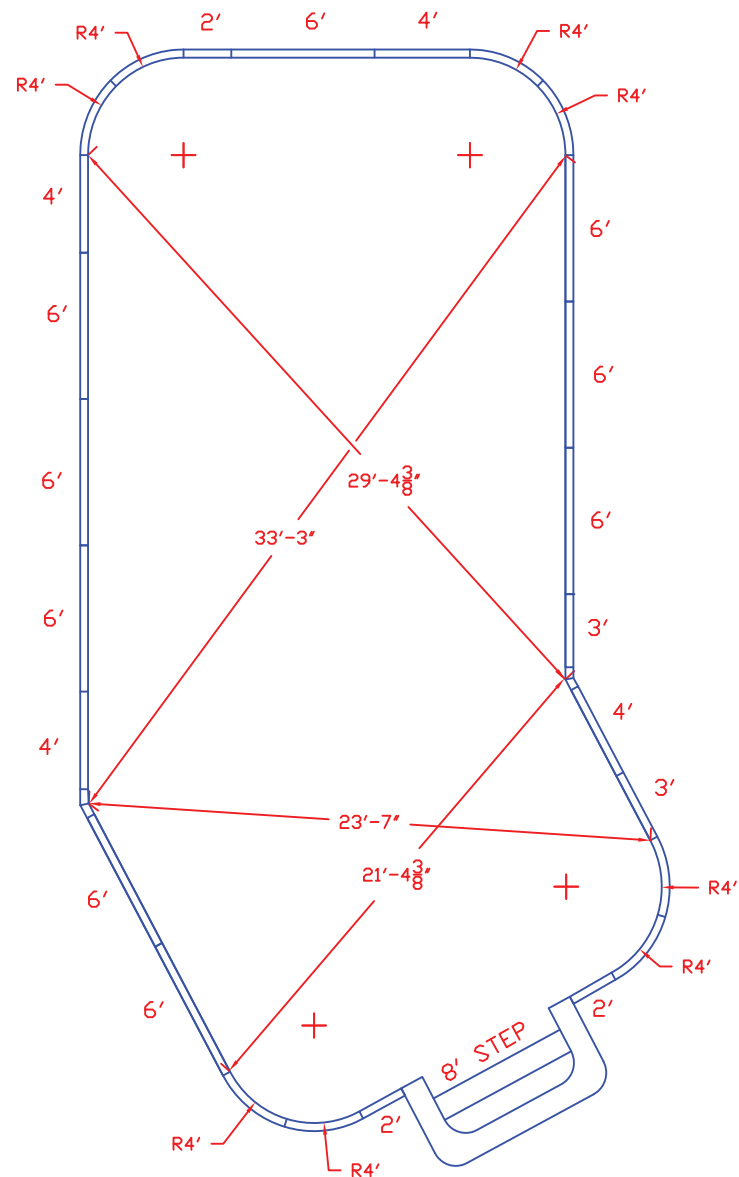
THIS DRAWING IS THE PROPERTY OF POOL BUILDERS SUPPLY AND IS LOANED FOR CONFIDENTIAL USE ONLY, AND SHOULD NOT BE COPIED OR USED FOR ANY PURPOSE DETRIMENTAL TO THE INTEREST OF POOL BUILDERS SUPPLY.

20' x 44' 4'R
 LAZY L LEFT POLY

DATE 1/13/10	DRAWN BY JMH	SIZE B	SCALE NTS	DWG NO. 1 of 1	REV 0
-----------------	-----------------	-----------	--------------	-------------------	----------

LIST OF MATERIALS

PART	QUANTITY	PART #
8' STEP	1	PBS-8
6' PLAIN	9	K23030
4' PLAIN	4	K23032
3' PLAIN	2	K23029
2' PLAIN	3	K23028
4' RADIUS	8	K23031
6"X6" 152 PANEL	1	K150-152 DEG
6"X6" 28 PANEL	1	K28-30 DEG
BRACE	25	POLY BRACE



GENERAL NOTES:
 This is a Type II pool & Type II diving equipment must be used. Consult diving board manufacturer's specifications.

This drawing is for illustrative purposes only. Dealer/ builder is an independent contractor and not an agent or employee of Pool Builders Supply. Pool Builders Supply makes no representations other than that which is stated in its written warranty. The customer or Dealer/ Builder is responsible for all construction methods and conforming to all building codes.

Safety rope must be installed 1ft. from break on shallow side.

No diving placards must be used in the shallow end.

PERIMETER: 118'-7"
S.A.: 751.69 SQ.FT.
VOLUME: 25,933 GAL.

POOL BUILDERS SUPPLY
 1124 CENTRAL AVE.
 CHARLOTTE, NC
 28204

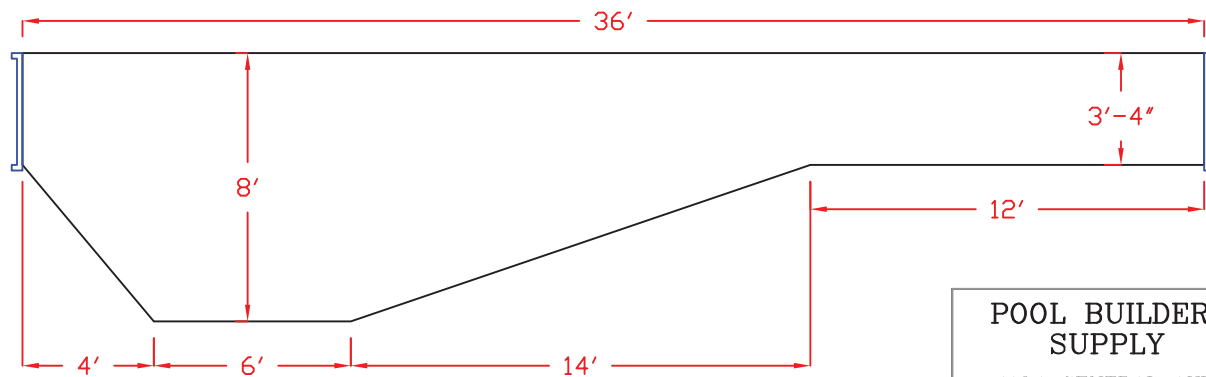
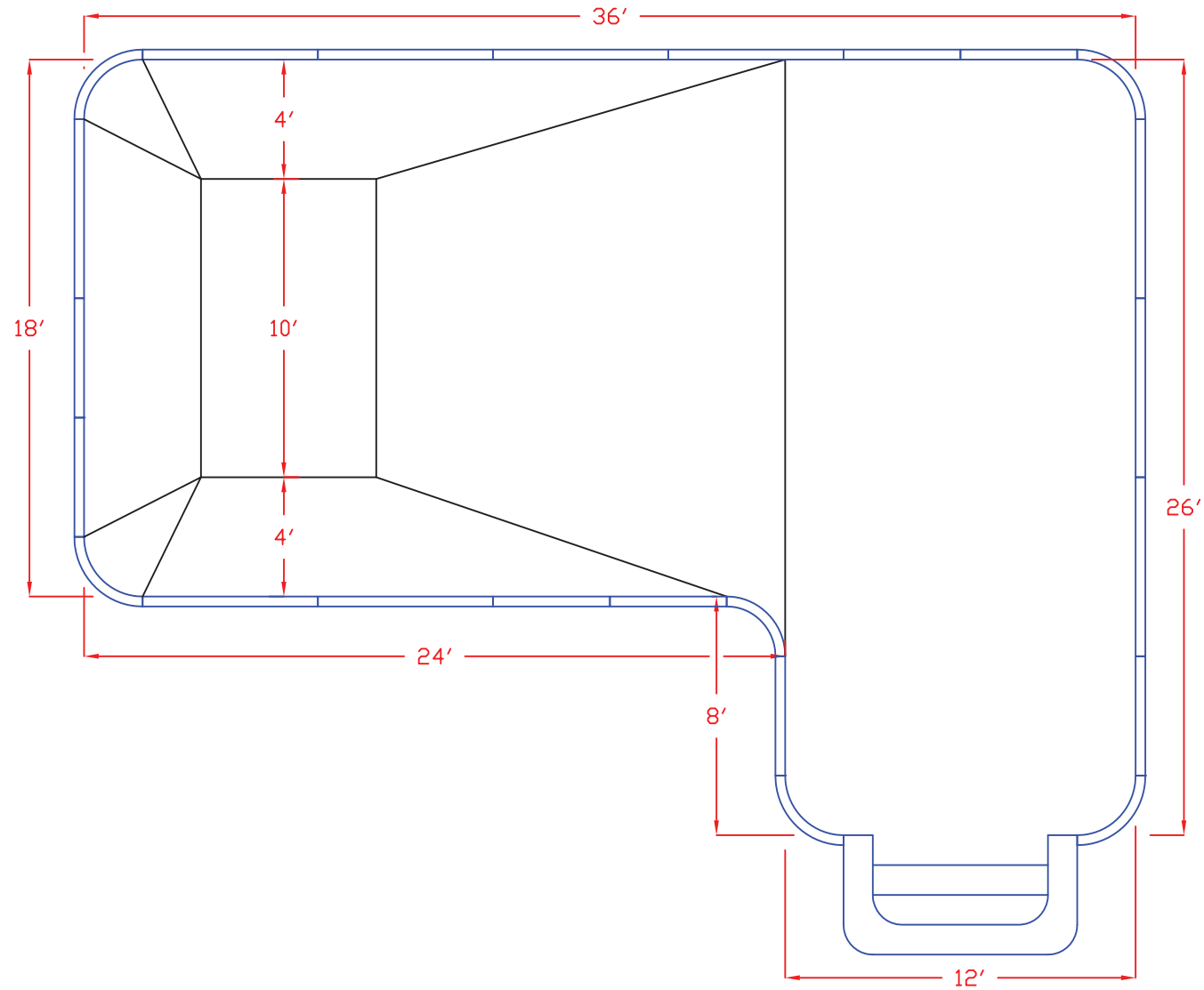
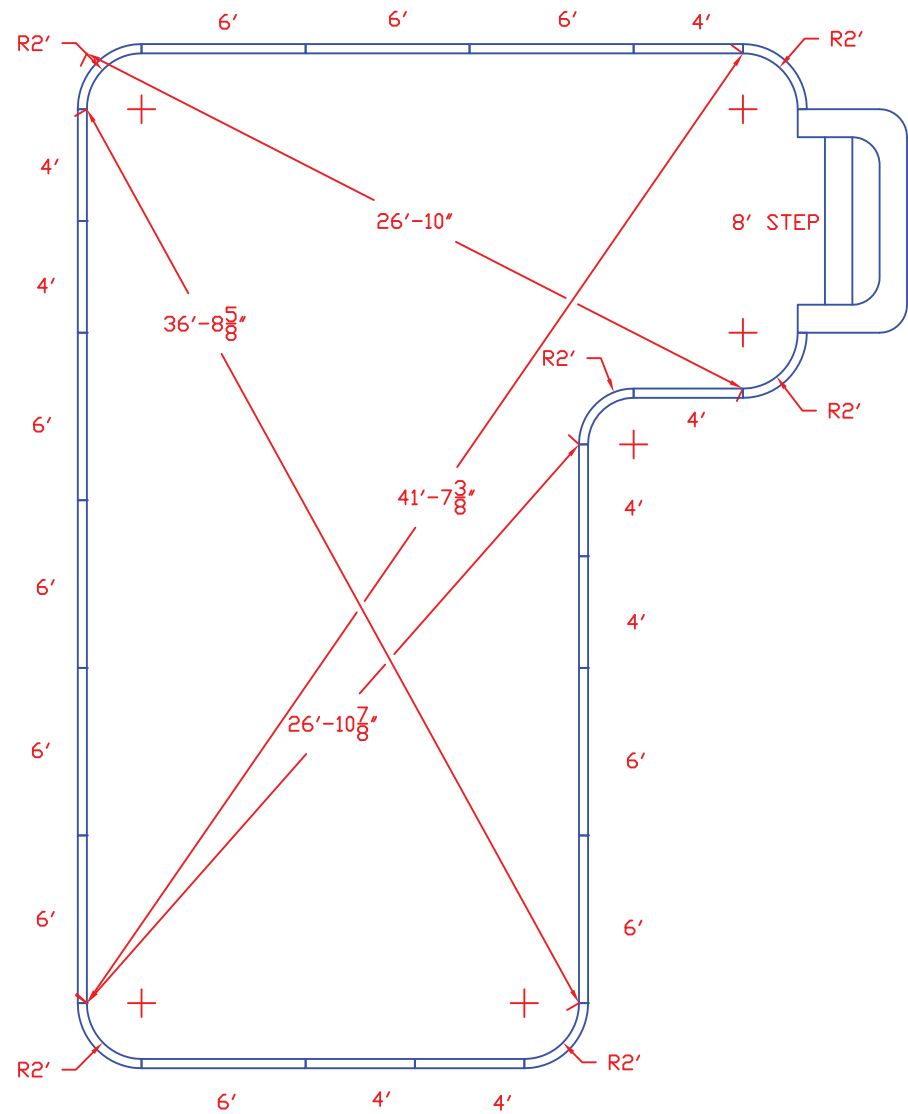
THIS DRAWING IS THE PROPERTY OF POOL BUILDERS SUPPLY AND IS LOANED FOR CONFIDENTIAL USE ONLY, AND SHOULD NOT BE COPIED OR USED FOR ANY PURPOSE DETRIMENTAL TO THE INTEREST OF POOL BUILDERS SUPPLY.

20' x 44' 4"R
 LAZY L RIGHT POLY

DATE 1/13/10	DRAWN BY JMH	SIZE B	SCALE NTS	DWG NO. 1 of 1	REV 0
-----------------	-----------------	-----------	--------------	-------------------	----------

LIST OF MATERIALS

PART	QUANTITY	PART #
8' STEP	1	PBS-8
6' PLAIN	10	K23030
4' PLAIN	8	K23032
2' RADIUS	5	K23033
2' REV. RADIUS	1	K23037
BRACE	25	POLY BRACE



GENERAL NOTES:
 This is a Type II pool & Type II diving equipment must be used. Consult diving board manufacturer's specifications.

This drawing is for illustrative purposes only. Dealer/ builder is an independent contractor and not an agent or employee of Pool Builders Supply. Pool Builders Supply makes no representations other than that which is stated in its written warranty. The customer or Dealer/ Builder is responsible for all construction methods and conforming to all building codes.

Safety rope must be installed 1ft. from break on shallow side.

No diving placards must be used in the shallow end.

PERIMETER: 126'-10"

S.A.: 812.57 SQ.FT.

VOLUME: 26,815 GAL.

**POOL BUILDERS
 SUPPLY**

1124 CENTRAL AVE.
 CHARLOTTE, NC
 28204

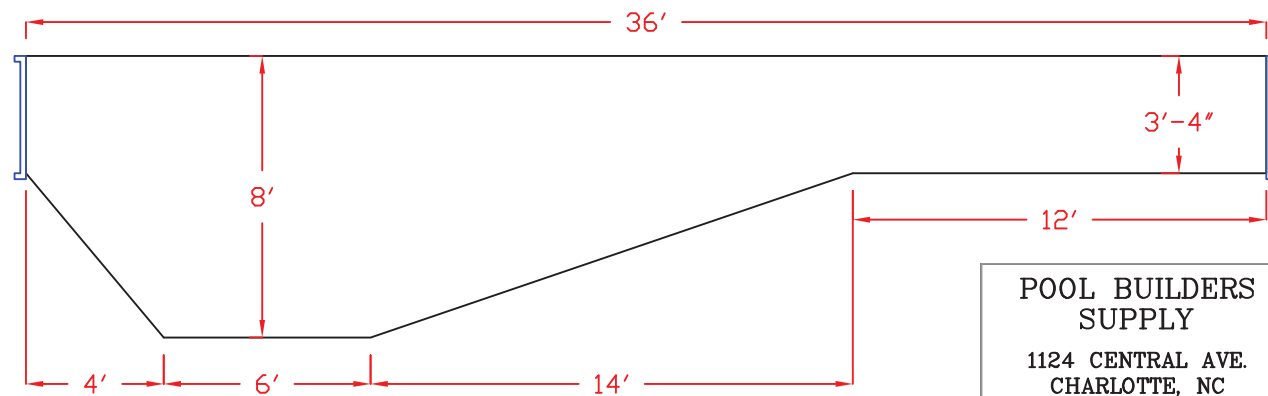
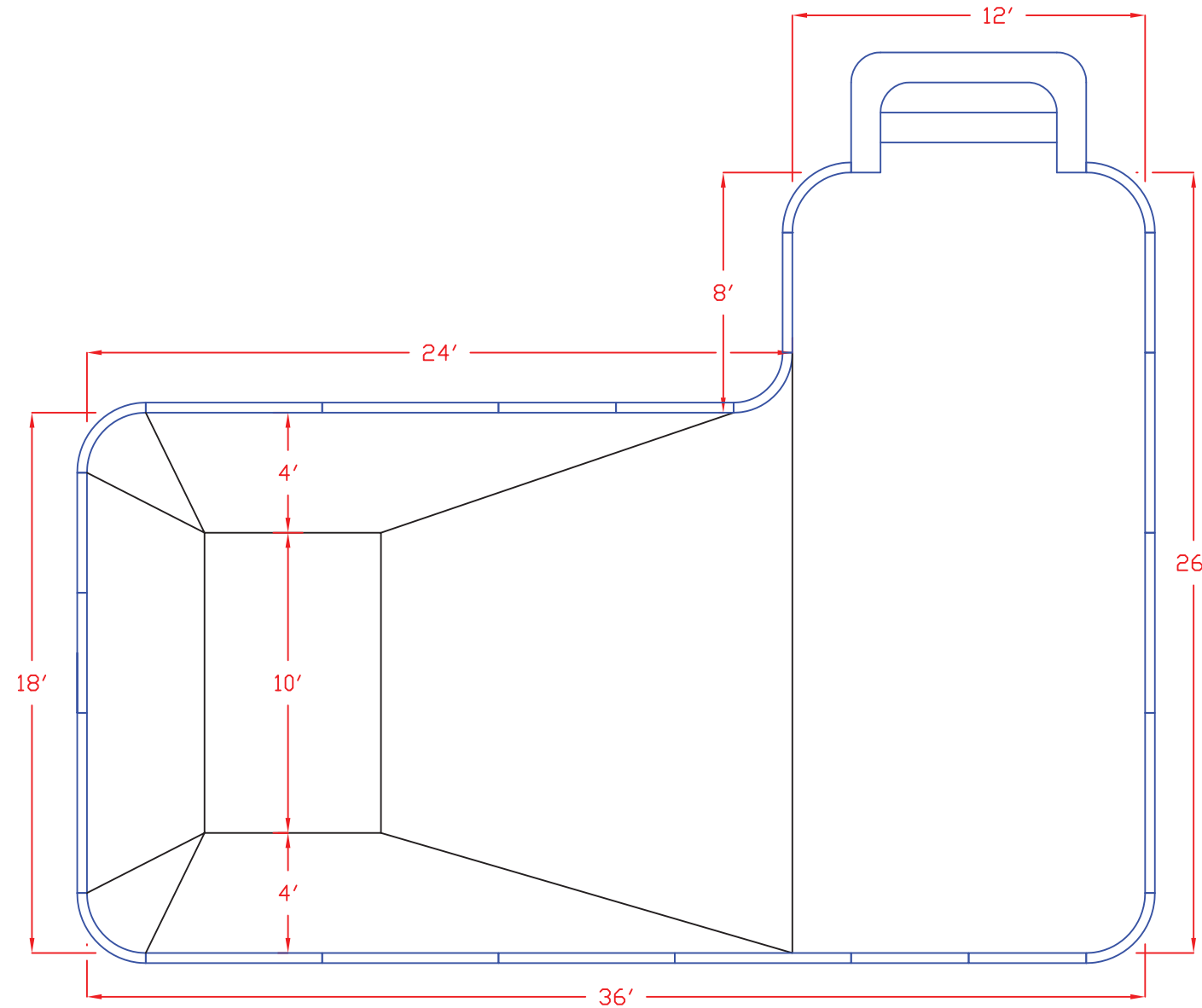
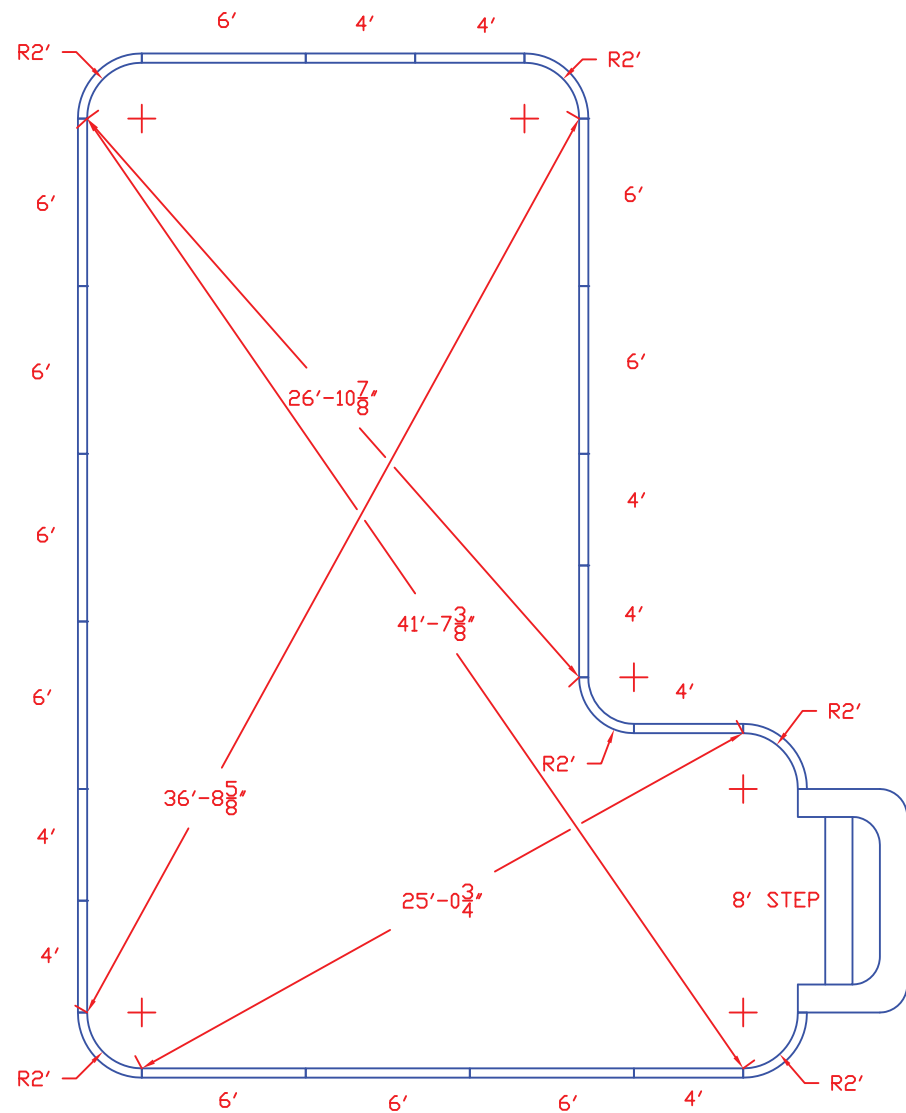
THIS DRAWING IS THE PROPERTY OF POOL BUILDERS SUPPLY AND IS LOANED FOR CONFIDENTIAL USE ONLY, AND SHOULD NOT BE COPIED OR USED FOR ANY PURPOSE DETRIMENTAL TO THE INTEREST OF POOL BUILDERS SUPPLY.

18' X 36' X 26' W/ 2'R
 TRUE L LEFT - POLY

DATE 08/13/09	DRAWN BY JMH	SIZE B	SCALE NTS	DWG NO. 1 OF 1	REV 0
------------------	-----------------	-----------	--------------	-------------------	----------

LIST OF MATERIALS

PART	QUANTITY	PART #
8' STEP	1	PBS-8
6' PLAIN	10	K23030
4' PLAIN	8	K23032
2' RADIUS	5	K23033
2' REV. RADIUS	1	K23037
BRACE	25	POLY BRACE



GENERAL NOTES:
 This is a Type II pool & Type II diving equipment must be used. Consult diving board manufacturer's specifications.

This drawing is for illustrative purposes only. Dealer/ builder is an independent contractor and not an agent or employee of Pool Builders Supply. Pool Builders Supply makes no representations other than that which is stated in its written warranty. The customer or Dealer/ Builder is responsible for all construction methods and conforming to all building codes.

Safety rope must be installed 1ft. from break on shallow side.

No diving placards must be used in the shallow end.

PERIMETER: 126'-10"
S.A. : 812.57 SQ.FT.
VOLUME: 26,815 GAL.

POOL BUILDERS SUPPLY
 1124 CENTRAL AVE.
 CHARLOTTE, NC
 28204

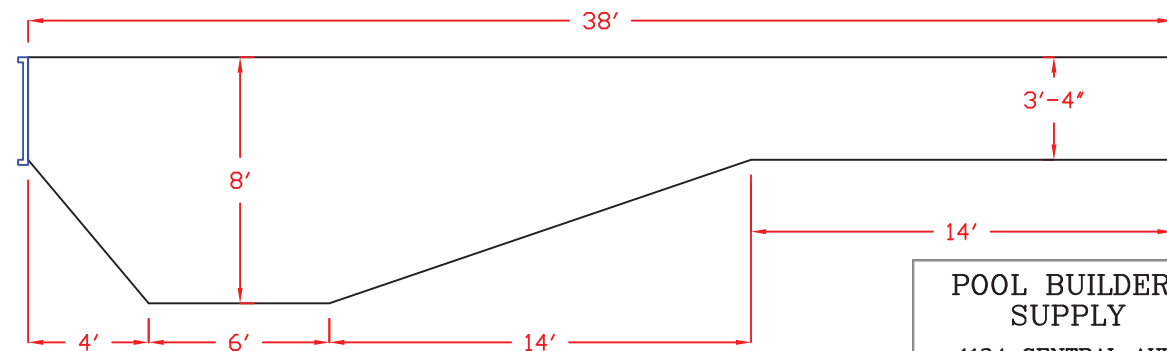
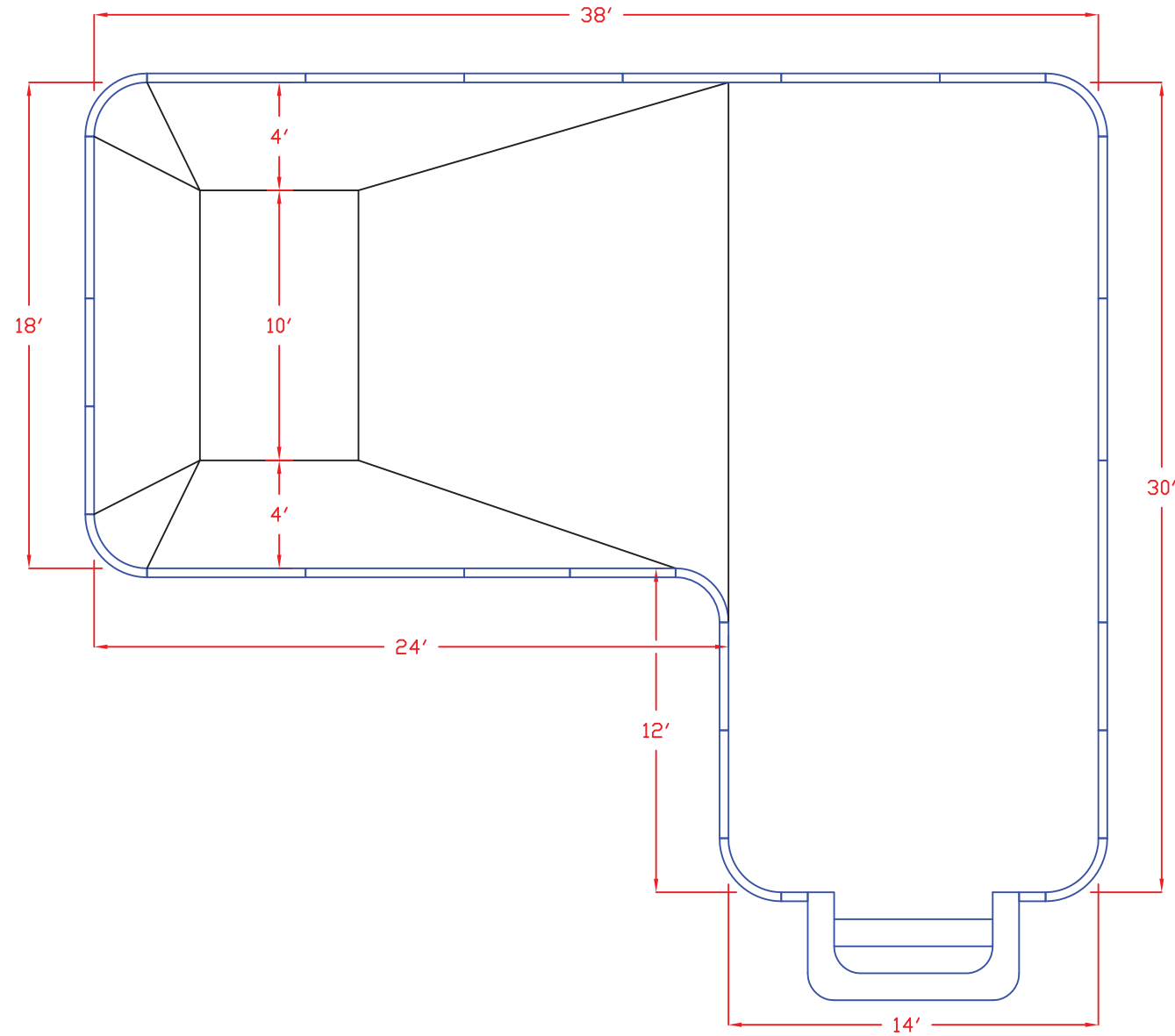
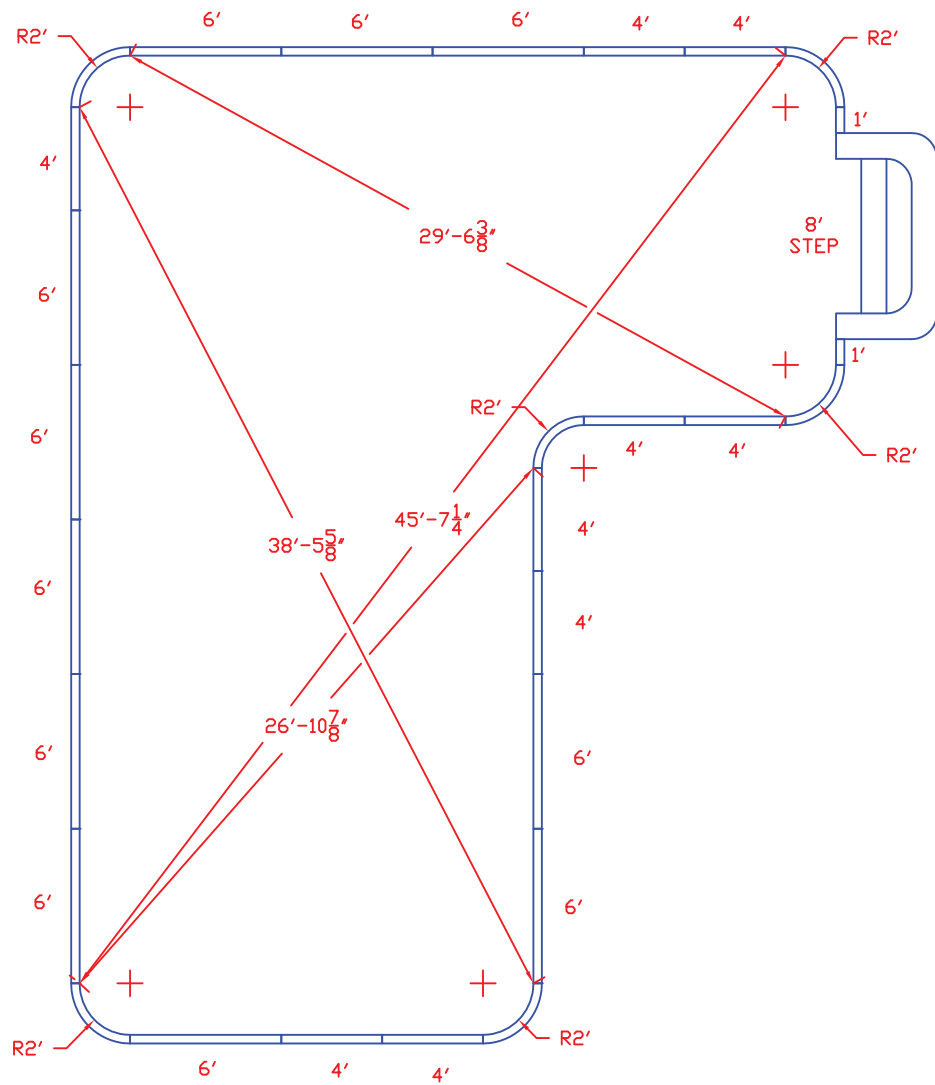
THIS DRAWING IS THE PROPERTY OF POOL BUILDERS SUPPLY AND IS LOANED FOR CONFIDENTIAL USE ONLY, AND SHOULD NOT BE COPIED OR USED FOR ANY PURPOSE DETRIMENTAL TO THE INTEREST OF POOL BUILDERS SUPPLY.

18' X 36' X 26' W/ 2'R
 TRUE L RIGHT - POLY

DATE 08/13/09	DRAWN BY JMH	SIZE B	SCALE NTS	DWG NO. 1 OF 1	REV 0
------------------	-----------------	-----------	--------------	-------------------	----------

LIST OF MATERIALS

PART	QUANTITY	PART #
8' STEP	1	PBS-8
6' PLAIN	11	K23030
4' PLAIN	9	K23032
1' PLAIN	2	K23036
2' RADIUS	5	K23033
2' REV. RADIUS	1	K23037
BRACE	29	POLY BRACE



GENERAL NOTES:

This is a Type II pool & Type II diving equipment must be used. Consult diving board manufacturer's specifications.

This drawing is for illustrative purposes only. Dealer/ builder is an independent contractor and not an agent or employee of Pool Builders Supply. Pool Builders Supply makes no representations other than that which is stated in its written warranty. The customer or Dealer/ Builder is responsible for all construction methods and conforming to all building codes.

Safety rope must be installed 1ft. from break on shallow side.

No diving placards must be used in the shallow end.

PERIMETER: 130'-10"

S.A. : 848.57 SQ.FT.

VOLUME: 28,003 GAL.

**POOL BUILDERS
SUPPLY**

1124 CENTRAL AVE.
CHARLOTTE, NC
28204

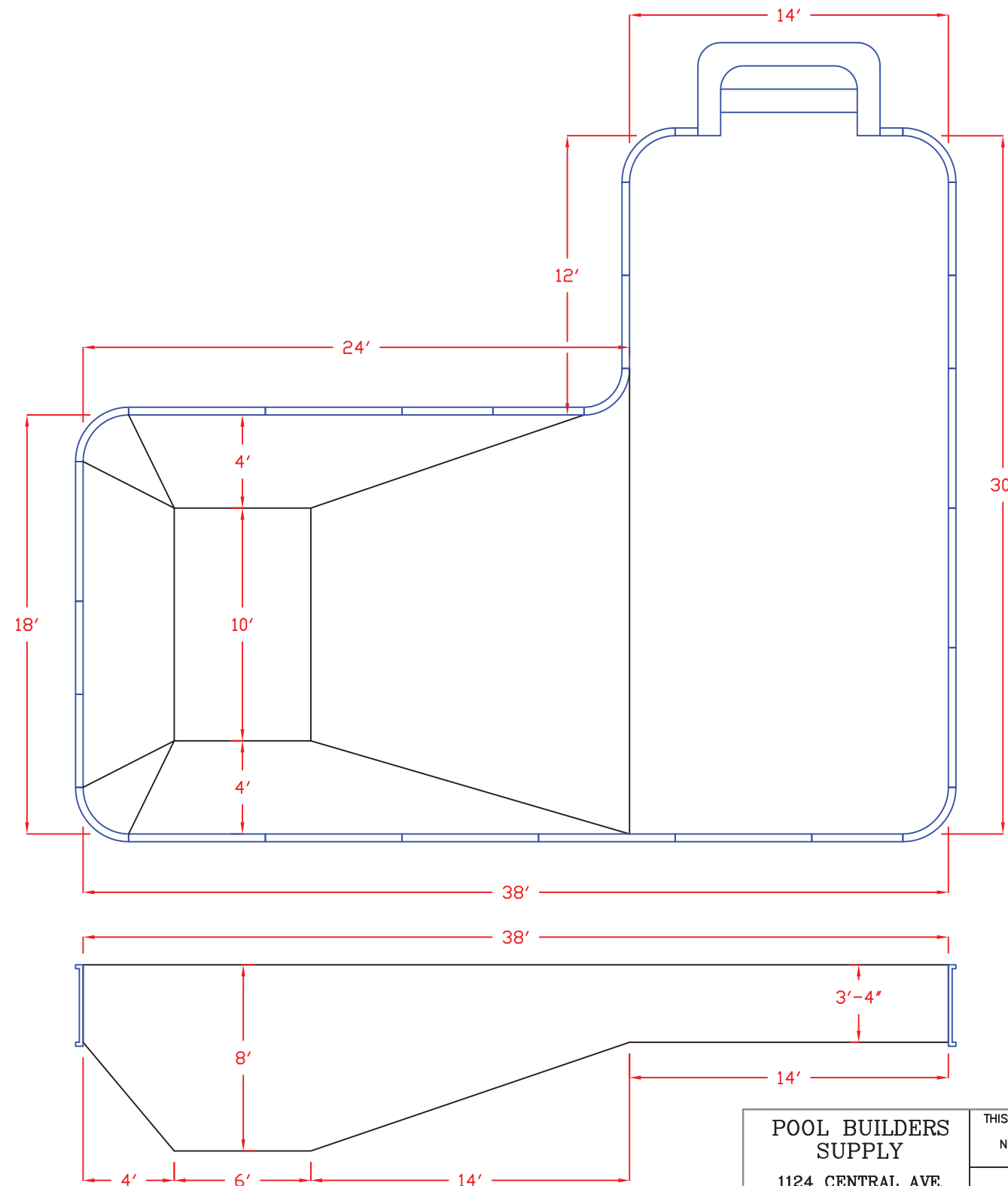
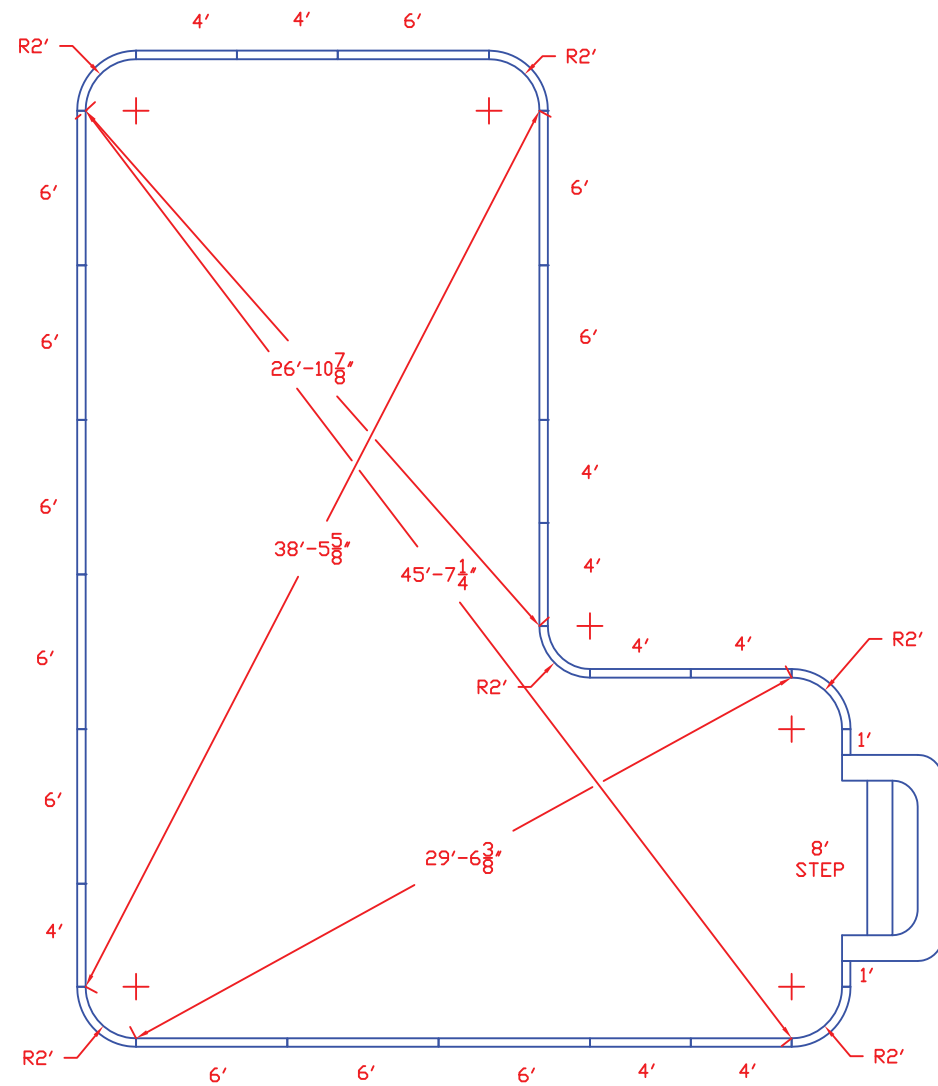
THIS DRAWING IS THE PROPERTY OF POOL BUILDERS SUPPLY AND IS LOANED FOR CONFIDENTIAL USE ONLY, AND SHOULD NOT BE COPIED OR USED FOR ANY PURPOSE DETRIMENTAL TO THE INTEREST OF POOL BUILDERS SUPPLY.

18' X 38' X 30' W/ 2'R
TRUE L LEFT - POLY

DATE 08/13/09	DRAWN BY JMH	SIZE B	SCALE NTS	DWG NO. 1 OF 1	REV 0
------------------	-----------------	-----------	--------------	-------------------	----------

LIST OF MATERIALS

PART	QUANTITY	PART #
8' STEP	1	PBS-8
6' PLAIN	11	K23030
4' PLAIN	9	K23032
1' PLAIN	2	K23036
2' RADIUS	5	K23033
2' REV. RADIUS	1	K23037
BRACE	29	POLY BRACE



GENERAL NOTES:

This is a Type II pool & Type II diving equipment must be used. Consult diving board manufacturer's specifications.

This drawing is for illustrative purposes only. Dealer/ builder is an independent contractor and not an agent or employee of Pool Builders Supply. Pool Builders Supply makes no representations other than that which is stated in its written warranty. The customer or Dealer/ Builder is responsible for all construction methods and conforming to all building codes.

Safety rope must be installed 1ft. from break on shallow side.

No diving placards must be used in the shallow end.

PERIMETER: 130'-10"

S.A. : 848.57 SQ.FT.

VOLUME: 28,003 GAL.

**POOL BUILDERS
SUPPLY**

1124 CENTRAL AVE.
CHARLOTTE, NC
28204

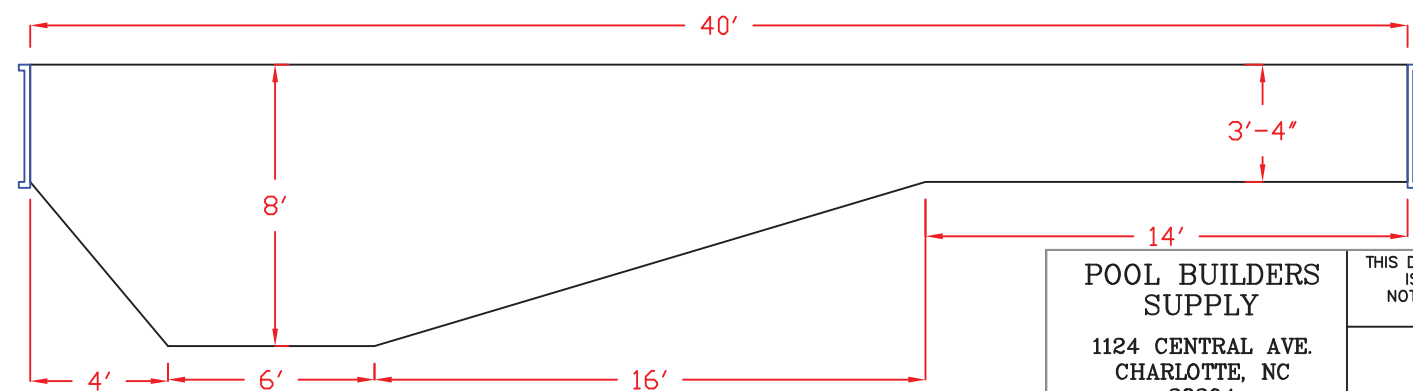
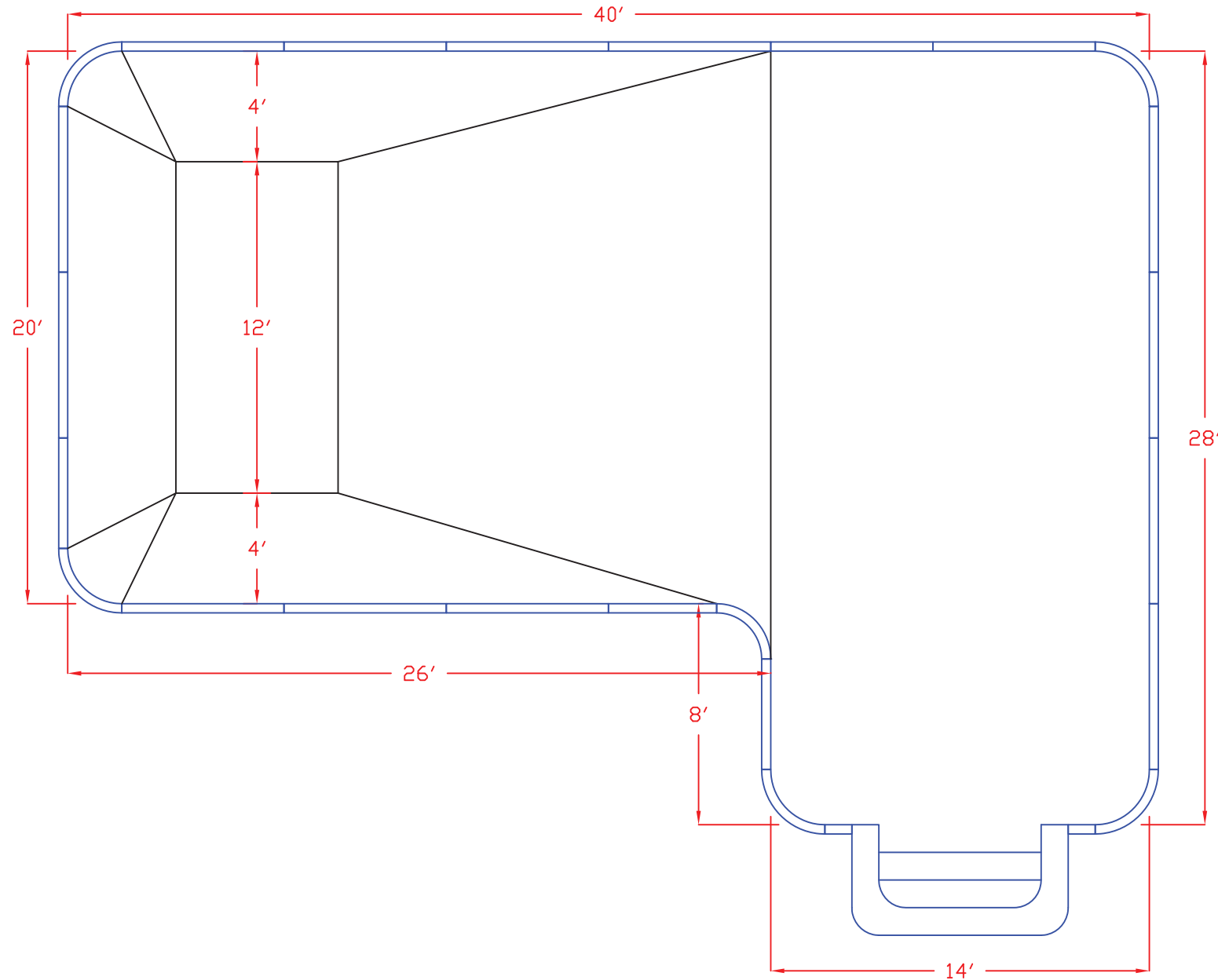
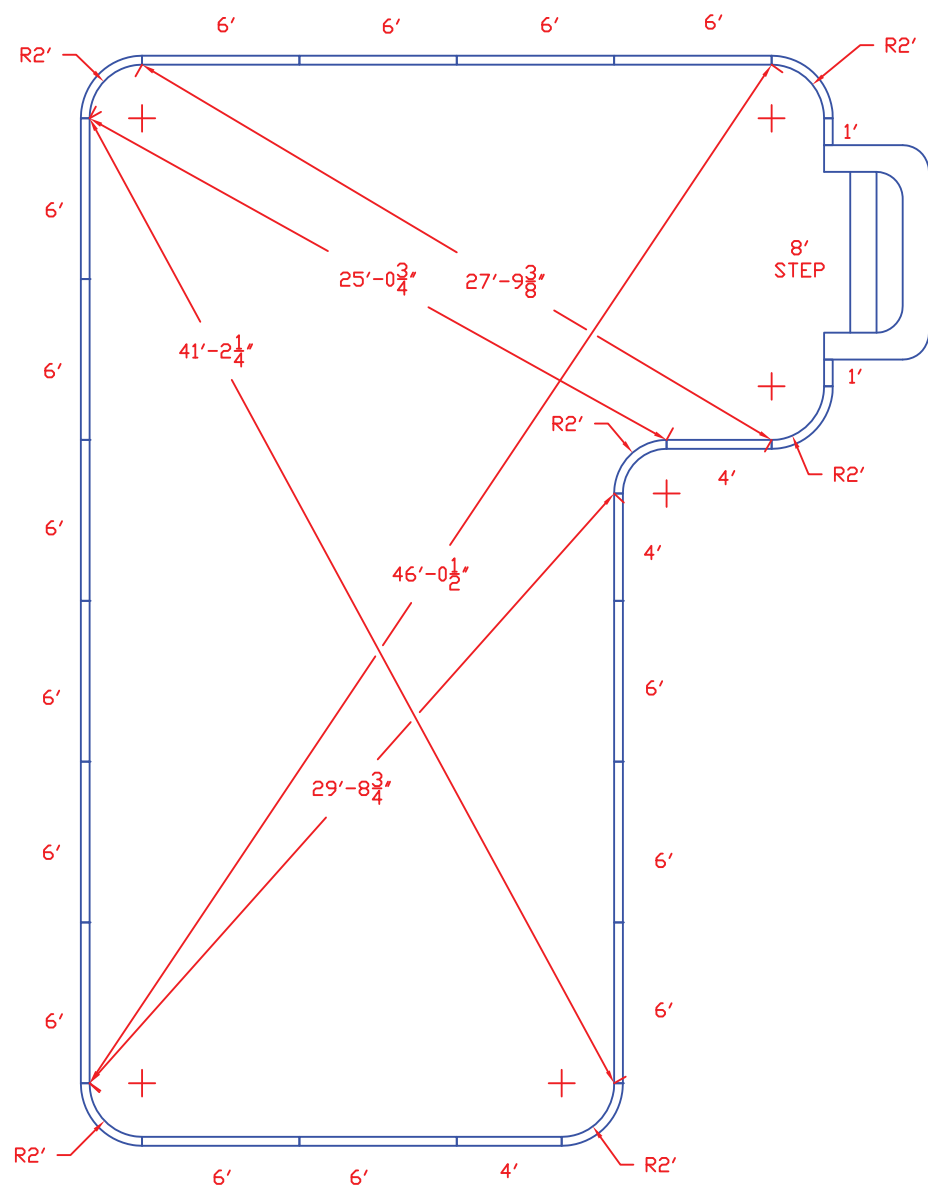
THIS DRAWING IS THE PROPERTY OF POOL BUILDERS SUPPLY AND IS LOANED FOR CONFIDENTIAL USE ONLY, AND SHOULD NOT BE COPIED OR USED FOR ANY PURPOSE DETRIMENTAL TO THE INTEREST OF POOL BUILDERS SUPPLY.

18' X 38' X 30' W/ 2'R
TRUE L RIGHT - POLY

DATE 08/13/09	DRAWN BY JMH	SIZE B	SCALE NTS	DWG NO. 1 OF 1	REV 0
------------------	-----------------	-----------	--------------	-------------------	----------

LIST OF MATERIALS

PART	QUANTITY	PART #
8' STEP	1	PBS-8
6' PLAIN	15	K23030
4' PLAIN	3	K23032
1' PLAIN	2	K23036
2' RADIUS	5	K23033
2' REV. RADIUS	1	K23037
BRACE	27	POLY BRACE



GENERAL NOTES:
 This is a Type II pool & Type II diving equipment must be used. Consult diving board manufacturer's specifications.

This drawing is for illustrative purposes only. Dealer/ builder is an independent contractor and not an agent or employee of Pool Builders Supply. Pool Builders Supply makes no representations other than that which is stated in its written warranty. The customer or Dealer/ Builder is responsible for all construction methods and conforming to all building codes.

Safety rope must be installed 1ft. from break on shallow side.

No diving placards must be used in the shallow end.

PERIMETER: 130'-10"
S.A. : 908.57 SQ.FT.
VOLUME: 29,983 GAL.

**POOL BUILDERS
 SUPPLY**
 1124 CENTRAL AVE.
 CHARLOTTE, NC
 28204

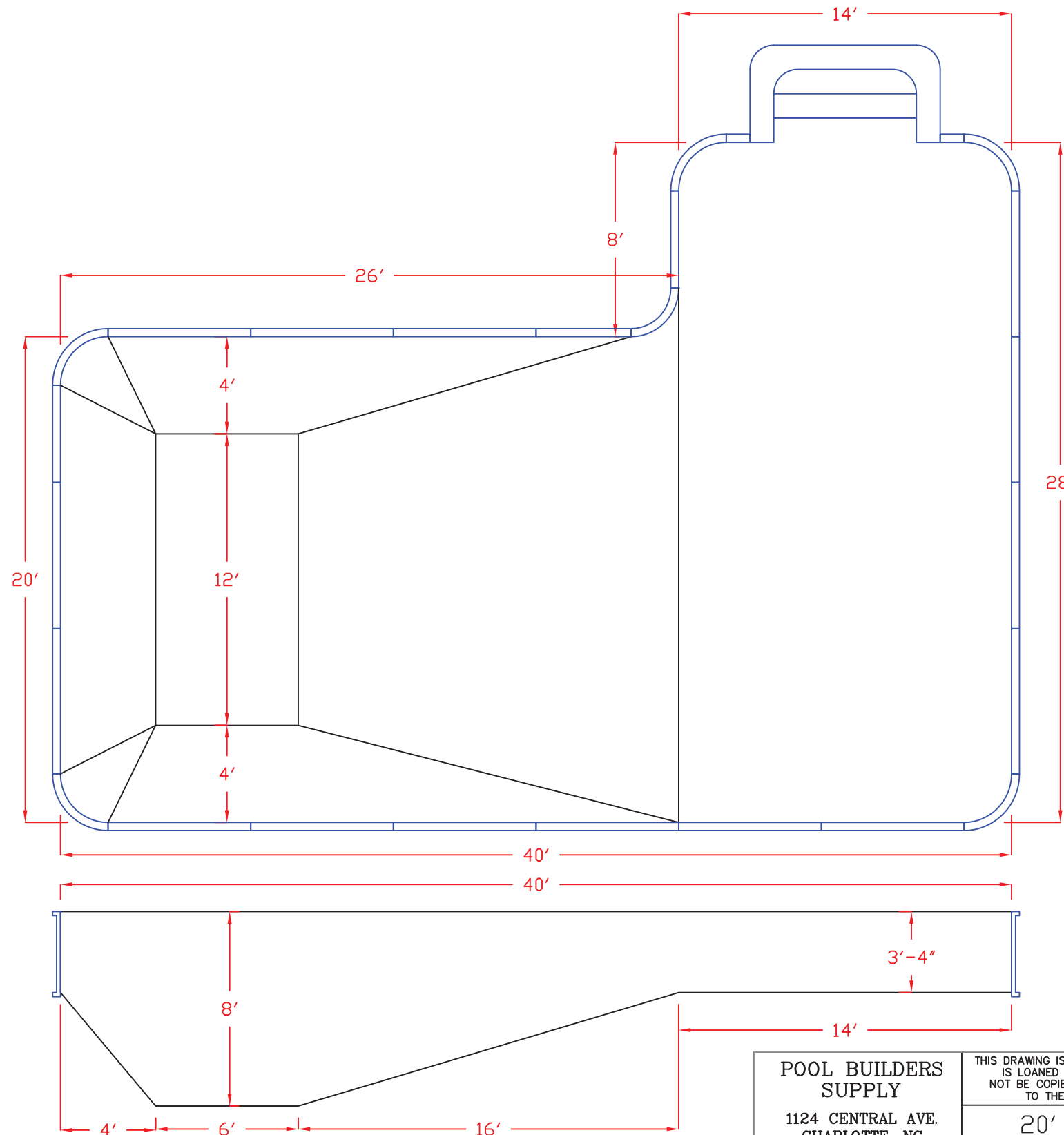
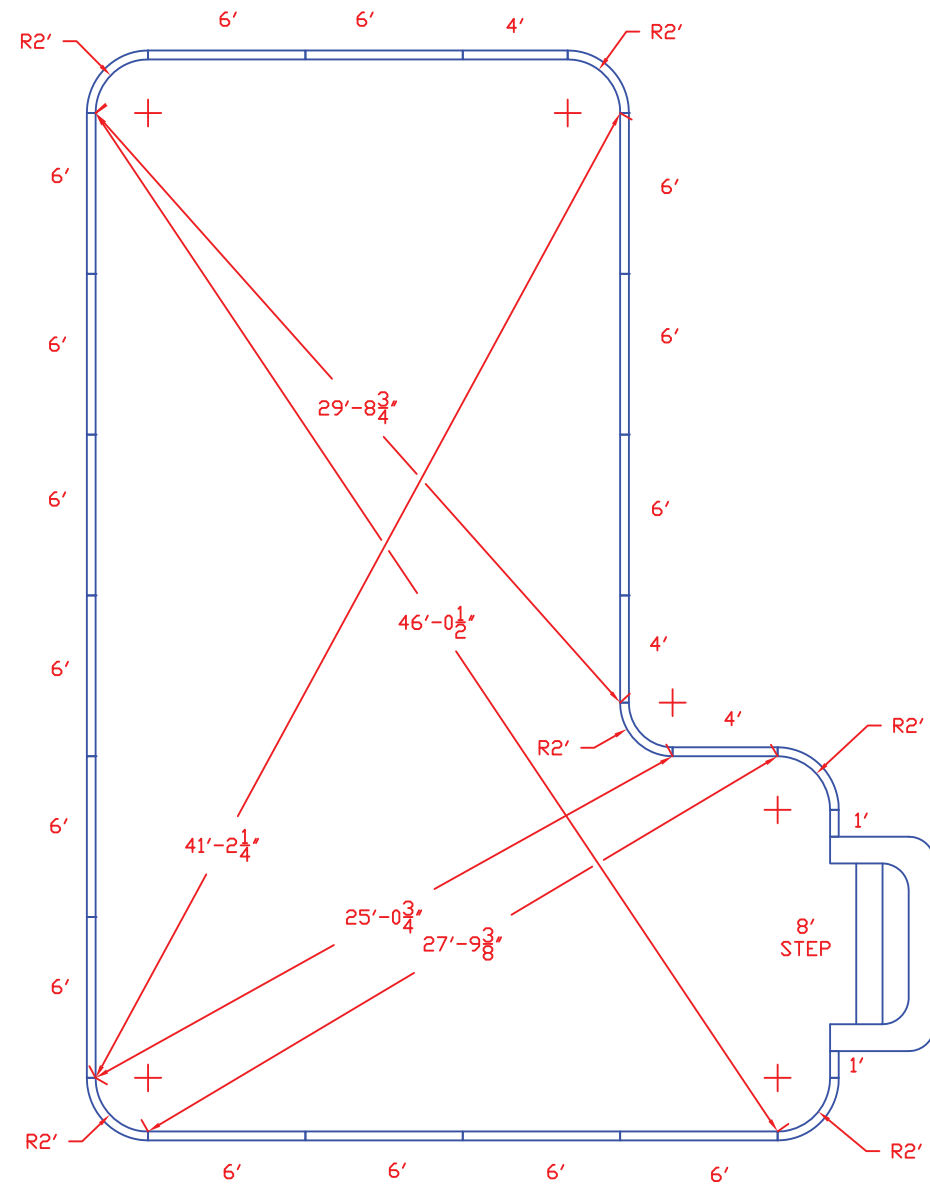
THIS DRAWING IS THE PROPERTY OF POOL BUILDERS SUPPLY AND IS LOANED FOR CONFIDENTIAL USE ONLY, AND SHOULD NOT BE COPIED OR USED FOR ANY PURPOSE DETRIMENTAL TO THE INTEREST OF POOL BUILDERS SUPPLY.

20' X 40' X 28' W/ 2'R
 TRUE L LEFT - POLY

DATE 08/13/09	DRAWN BY JMH	SIZE B	SCALE NTS	DWG NO. 1 OF 1	REV 0
------------------	-----------------	-----------	--------------	-------------------	----------

LIST OF MATERIALS

PART	QUANTITY	PART #
8' STEP	1	PBS-8
6' PLAIN	15	K23030
4' PLAIN	3	K23032
1' PLAIN	2	K23036
2' RADIUS	5	K23033
2' REV. RADIUS	1	K23037
BRACE	27	POLY BRACE



GENERAL NOTES:
 This is a Type II pool & Type II diving equipment must be used. Consult diving board manufacturer's specifications.

This drawing is for illustrative purposes only. Dealer/ builder is an independent contractor and not an agent or employee of Pool Builders Supply. Pool Builders Supply makes no representations other than that which is stated in its written warranty. The customer or Dealer/ Builder is responsible for all construction methods and conforming to all building codes.

Safety rope must be installed 1ft. from break on shallow side.

No diving placards must be used in the shallow end.

PERIMETER: 130'-10"
S.A. : 908.57 SQ.FT.
VOLUME: 29,983 GAL.

**POOL BUILDERS
SUPPLY**
 1124 CENTRAL AVE.
 CHARLOTTE, NC
 28204

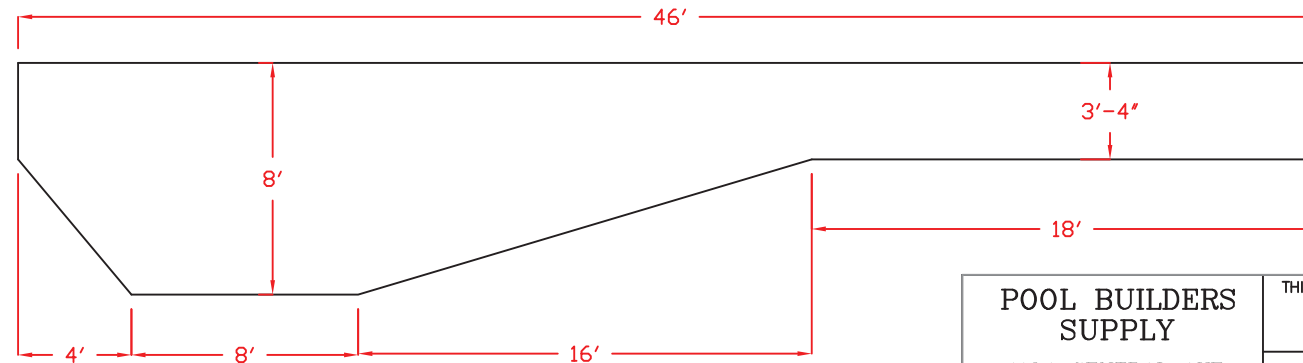
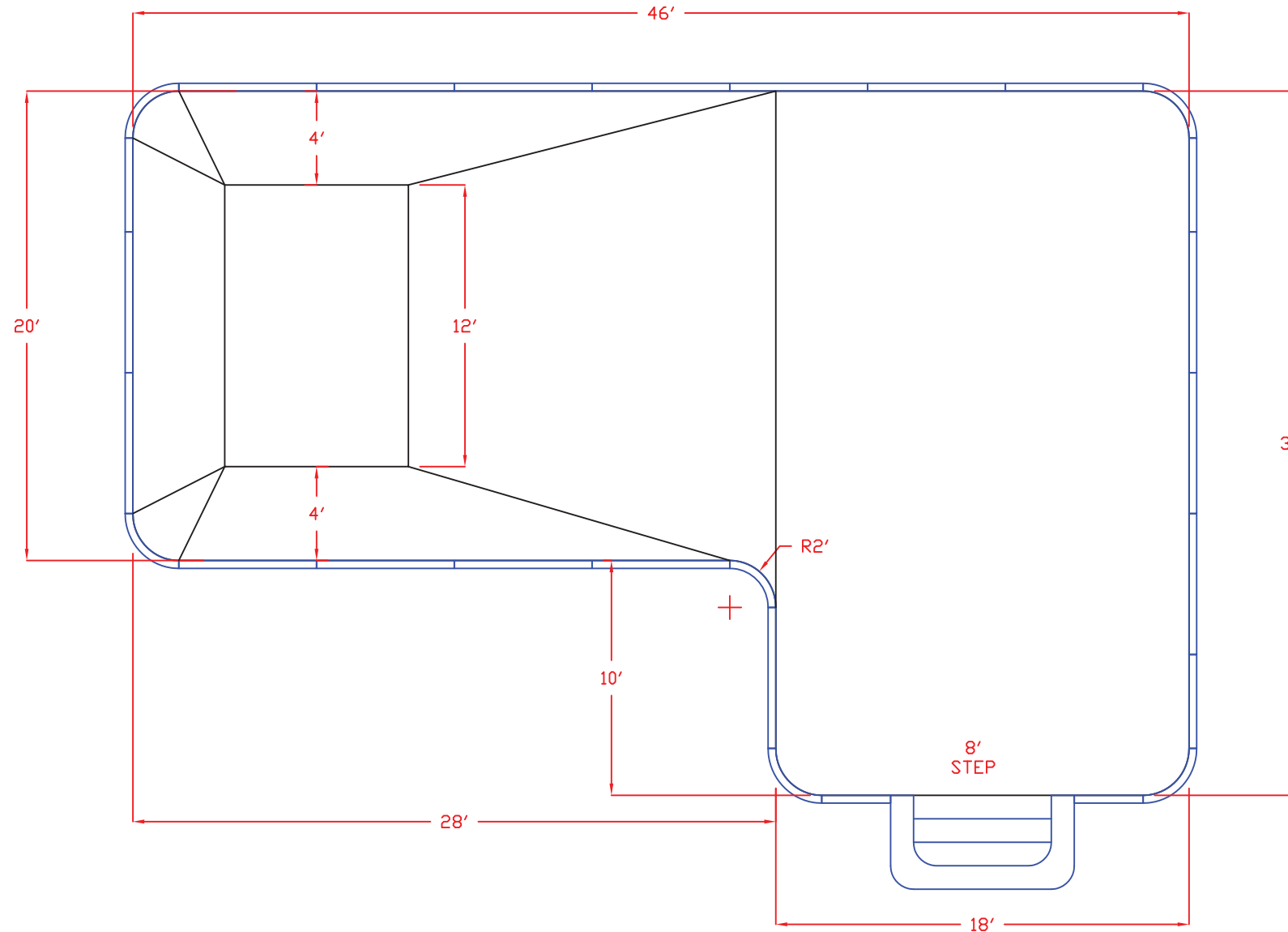
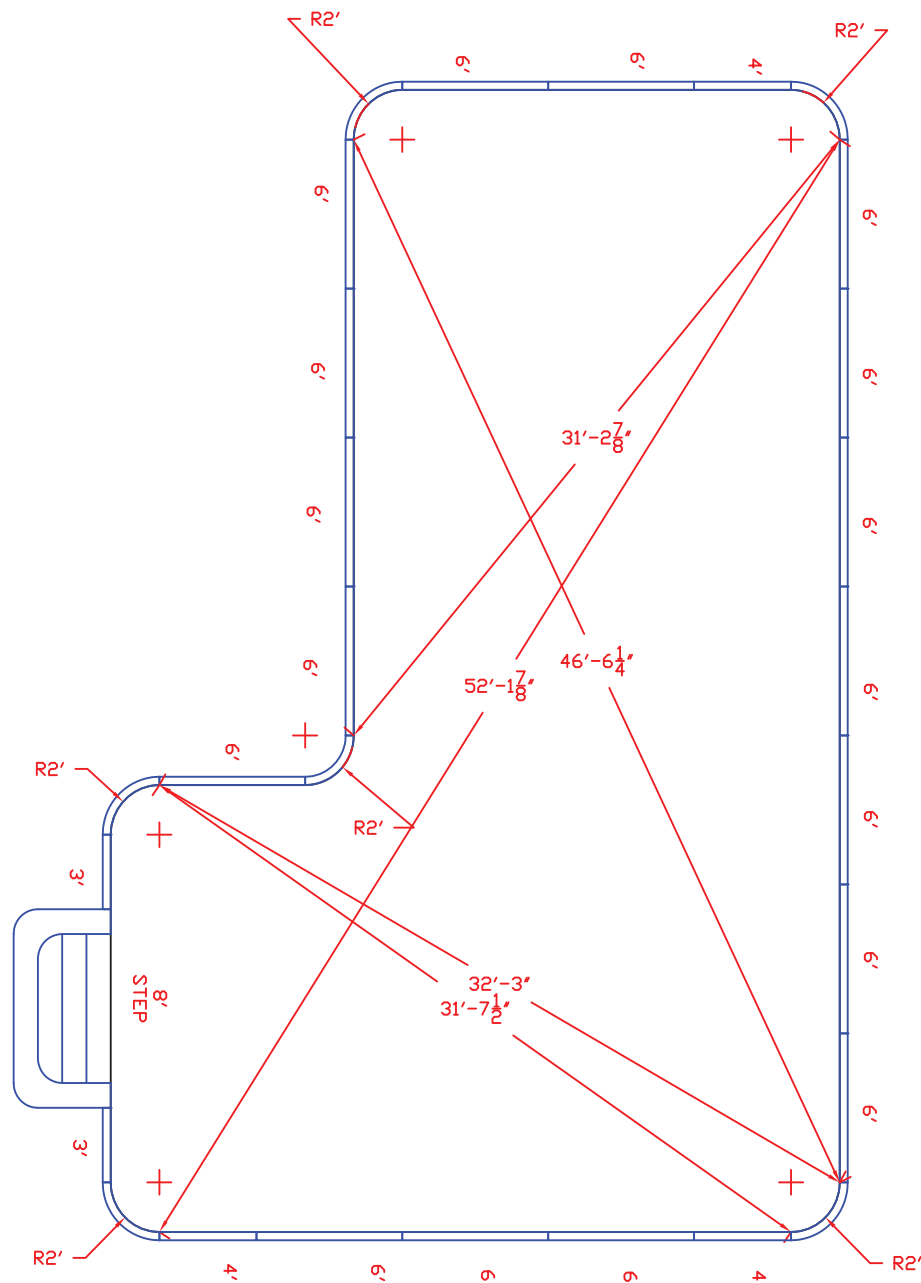
THIS DRAWING IS THE PROPERTY OF POOL BUILDERS SUPPLY AND IS LOANED FOR CONFIDENTIAL USE ONLY, AND SHOULD NOT BE COPIED OR USED FOR ANY PURPOSE DETRIMENTAL TO THE INTEREST OF POOL BUILDERS SUPPLY.

20' X 40' X 28' W/ 2'R
 TRUE L RIGHT - POLY

DATE 08/13/09	DRAWN BY JMH	SIZE B	SCALE NTS	DWG NO. 1 OF 1	REV 0
------------------	-----------------	-----------	--------------	-------------------	----------

LIST OF MATERIALS

PART	QUANTITY	PART #
8' STEP	1	PBS-8
6' PLAIN	17	K23030
4' PLAIN	3	K23032
3' PLAIN	2	K23029
2' RADIUS	5	K23033
2' REV. RADIUS	1	K23037
BRACE	29	POLY BRACE



GENERAL NOTES:

This is a Type II pool & Type II diving equipment must be used. Consult diving board manufacturer's specifications.

This drawing is for illustrative purposes only. Dealer/ builder is an independent contractor and not an agent or employee of Pool Builders Supply. Pool Builders Supply makes no representations other than that which is stated in its written warranty. The customer or Dealer/ Builder is responsible for all construction methods and conforming to all building codes.

Safety rope must be installed 1ft. from break on shallow side.

No diving placards must be used in the shallow end.

PERIMETER: 142'-7"

S.A. : 1,083.69 SQ.FT.

VOLUME: 35,762 GAL.

**POOL BUILDERS
SUPPLY**

1124 CENTRAL AVE.
CHARLOTTE, NC
28204

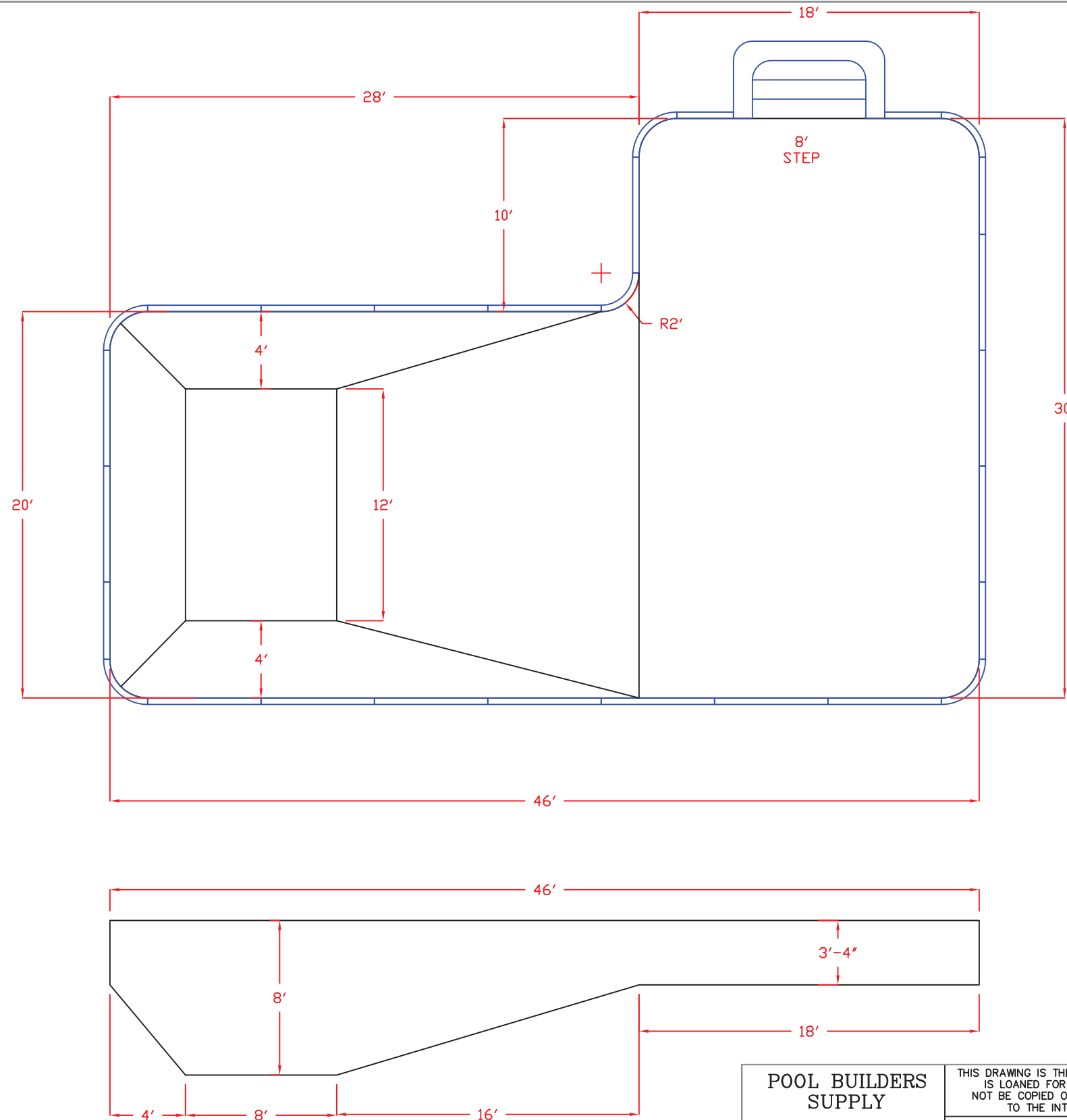
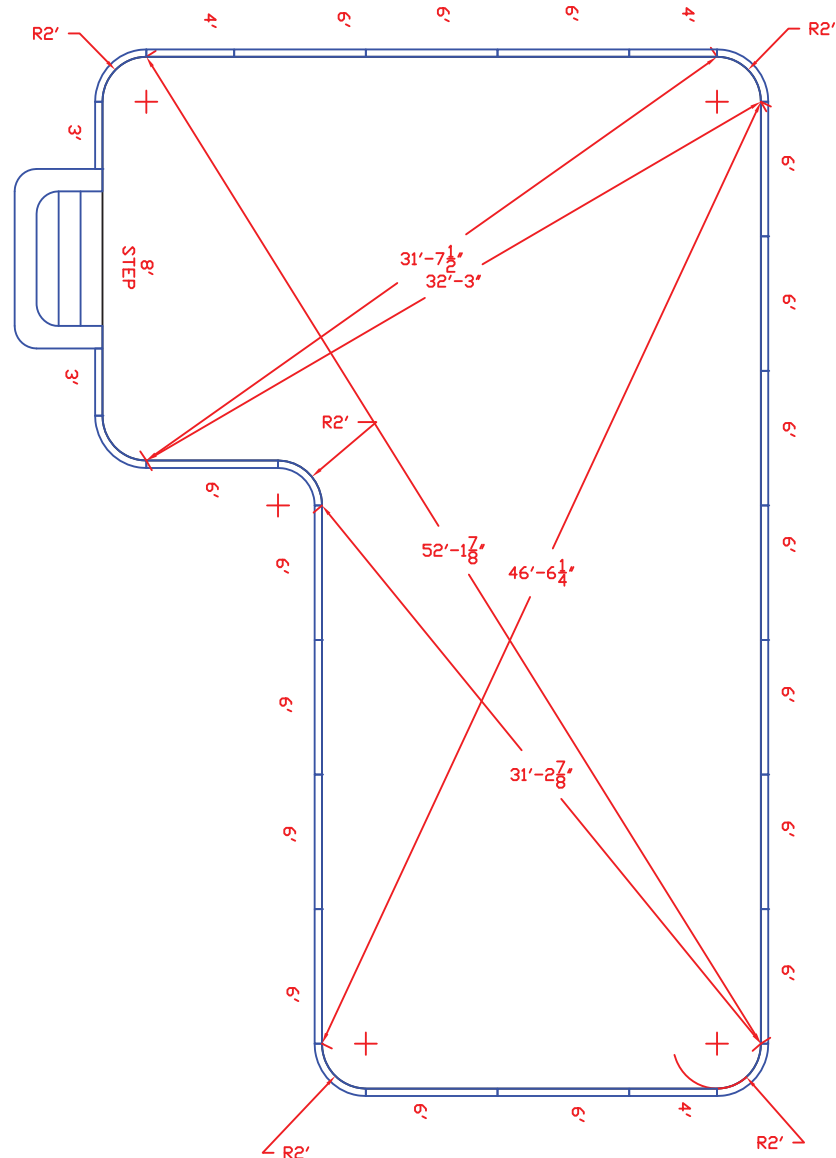
THIS DRAWING IS THE PROPERTY OF POOL BUILDERS SUPPLY AND IS LOANED FOR CONFIDENTIAL USE ONLY, AND SHOULD NOT BE COPIED OR USED FOR ANY PURPOSE DETRIMENTAL TO THE INTEREST OF POOL BUILDERS SUPPLY.

20' X 46' X 30' W/ 2'R
TRUE L LEFT - POLY

DATE	DRAWN BY	SIZE	SCALE	DWG NO.	REV
01/21/10	JMH	B	NTS	1 of 1	0

LIST OF MATERIALS

PART	QUANTITY	PART #
8' STEP	1	PBS-8
6' PLAIN	17	K23030
4' PLAIN	3	K23032
3' PLAIN	2	K23029
2' RADIUS	5	K23033
2' REV. RADIUS	1	K23037
BRACE	29	POLY BRACE



GENERAL NOTES:
 This is a Type II pool & Type II diving equipment must be used. Consult diving board manufacturer's specifications.

This drawing is for illustrative purposes only. Dealer/ builder is an independent contractor and not an agent or employee of Pool Builders Supply. Pool Builders Supply makes no representations other than that which is stated in its written warranty. The customer or Dealer/ Builder is responsible for all construction methods and conforming to all building codes.

Safety rope must be installed 1ft. from break on shallow side.

No diving placards must be used in the shallow end.

PERIMETER: 142'-7"

S.A. : 1,083.69 SQ.FT.

VOLUME: 35,762 GAL.

**POOL BUILDERS
 SUPPLY**

1124 CENTRAL AVE.
 CHARLOTTE, NC
 28204

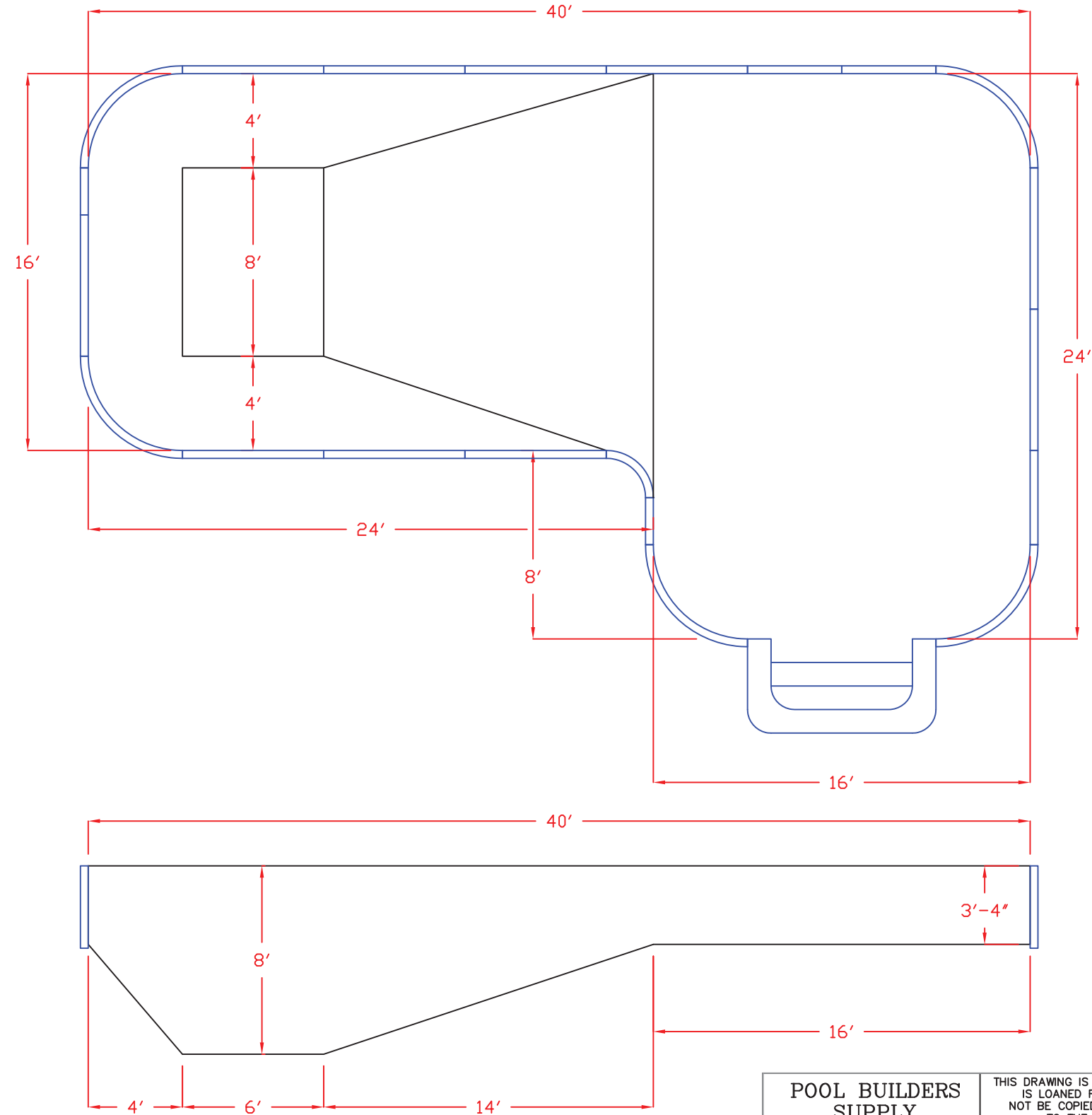
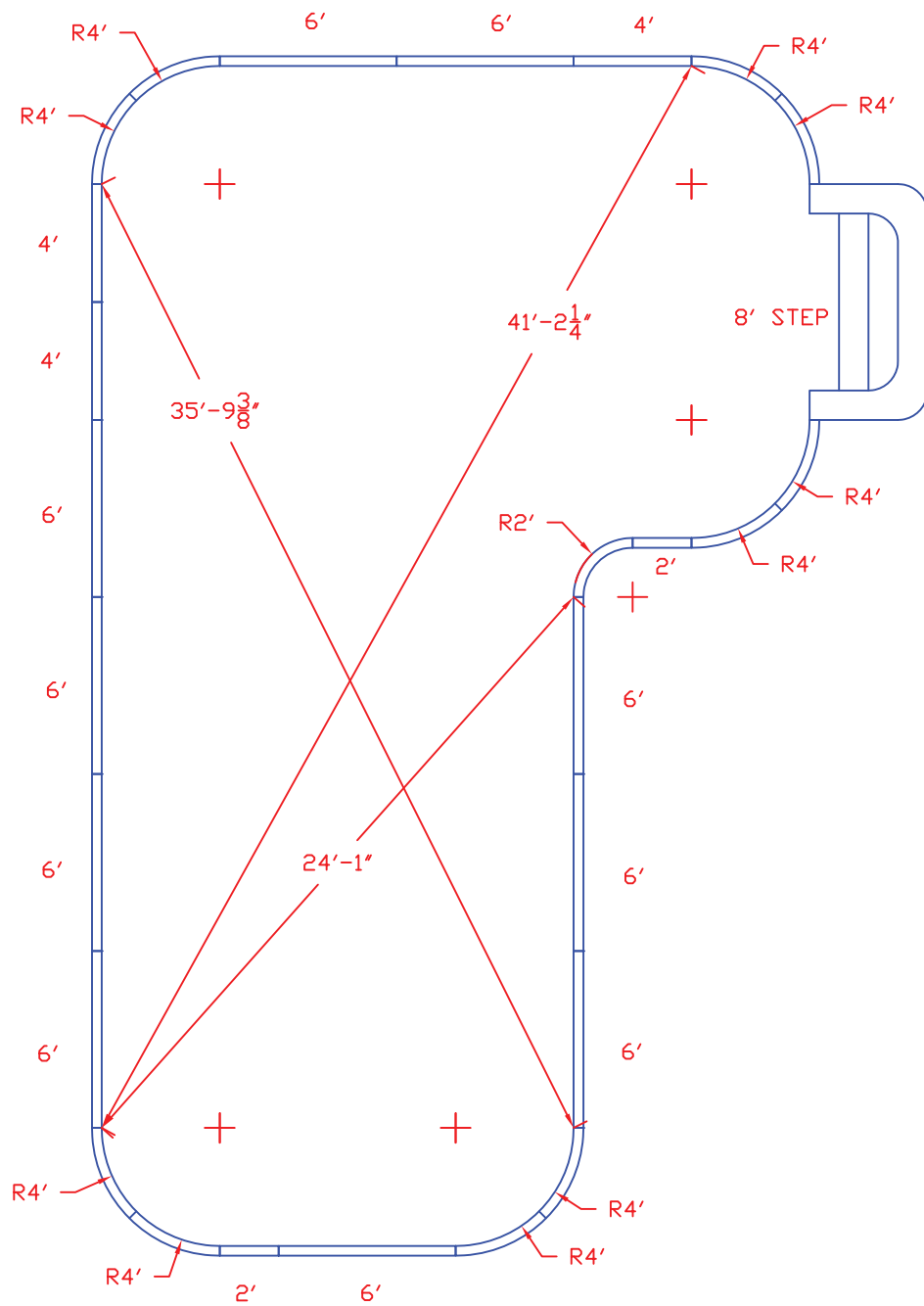
THIS DRAWING IS THE PROPERTY OF POOL BUILDERS SUPPLY AND IS LOANED FOR CONFIDENTIAL USE ONLY, AND SHOULD NOT BE COPIED OR USED FOR ANY PURPOSE DETRIMENTAL TO THE INTEREST OF POOL BUILDERS SUPPLY.

20' X 46' X 30' W/ 2'R
 TRUE L RIGHT - POLY

DATE 01/21/10	DRAWN BY JMH	SIZE B	SCALE NTS	DWG NO. 1 of 1	REV 0
------------------	-----------------	-----------	--------------	-------------------	----------

LIST OF MATERIALS

PART	QUANTITY	PART #
8' STEP	1	PBS-8
6' PLAIN	10	K23030
4' PLAIN	3	K23032
2' PLAIN	2	K23028
4' RADIUS	10	K23031
2' REV. RADIUS	1	K23037
BRACE	22	POLY BRACE



GENERAL NOTES:

This is a Type II pool & Type II diving equipment must be used. Consult diving board manufacturer's specifications.

This drawing is for illustrative purposes only. Dealer/ builder is an independent contractor and not an agent or employee of Pool Builders Supply. Pool Builders Supply makes no representations other than that which is stated in its written warranty. The customer or Dealer/ Builder is responsible for all construction methods and conforming to all building codes.

Safety rope must be installed 1ft. from break on shallow side.

No diving placards must be used in the shallow end.

PERIMETER: 118'-7"

S.A. : 751.69 SQ.FT.

VOLUME: 24,806 GAL.

**POOL BUILDERS
SUPPLY**

1124 CENTRAL AVE.
CHARLOTTE, NC
28204

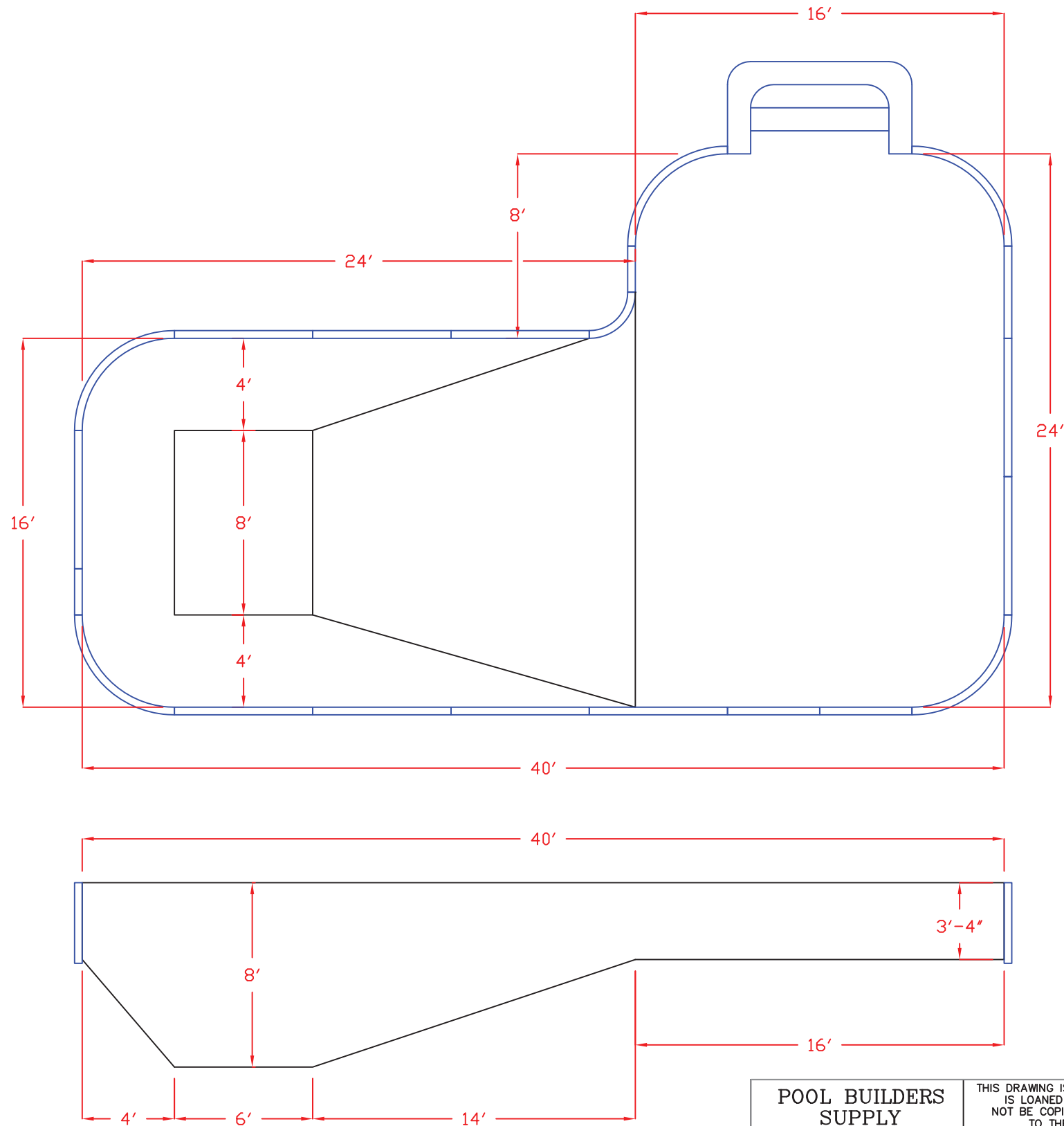
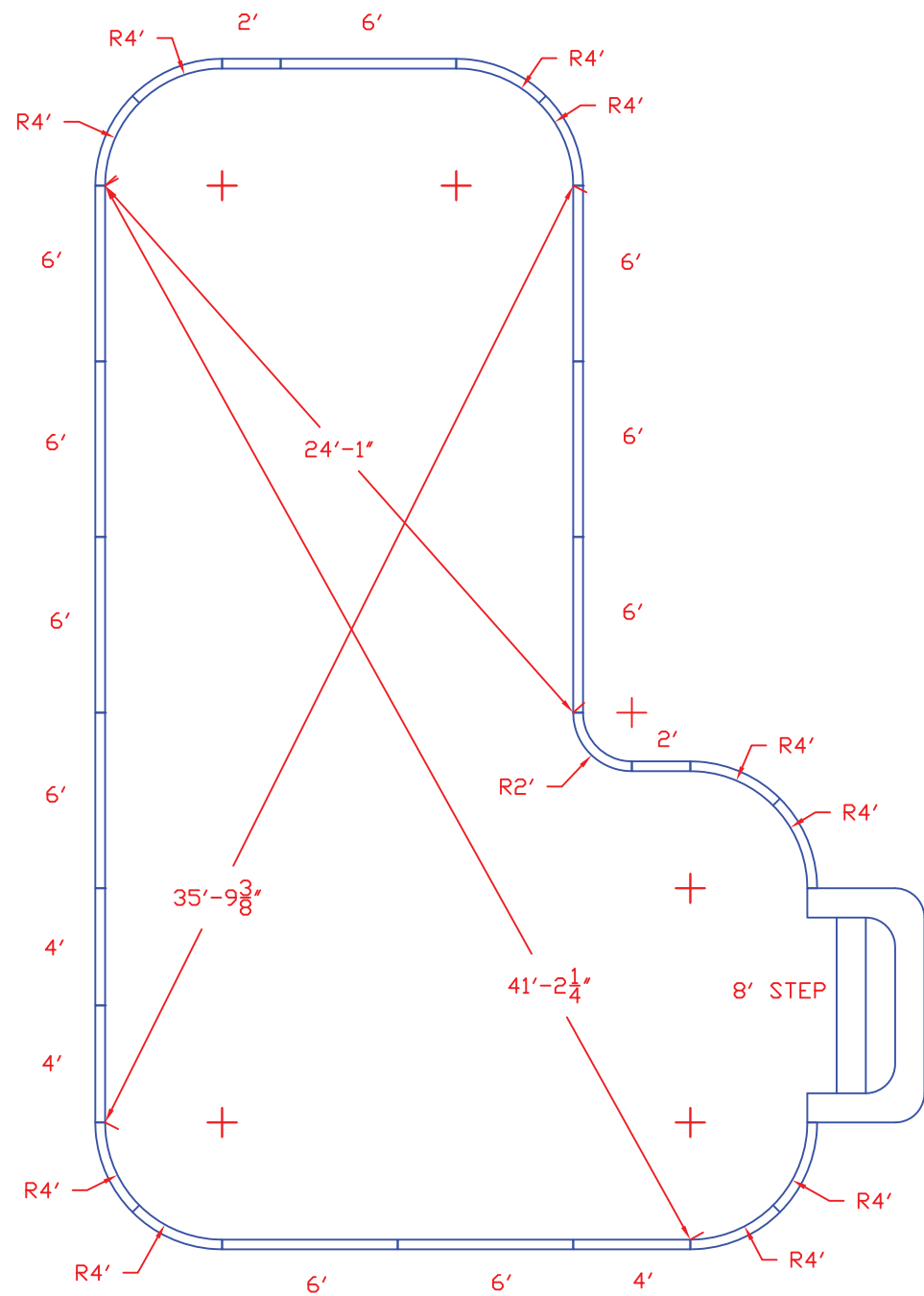
THIS DRAWING IS THE PROPERTY OF POOL BUILDERS SUPPLY AND IS LOANED FOR CONFIDENTIAL USE ONLY, AND SHOULD NOT BE COPIED OR USED FOR ANY PURPOSE DETRIMENTAL TO THE INTEREST OF POOL BUILDERS SUPPLY.

16' X 40' X 24' W/ 4'R
TRUE L LEFT - POLY

DATE 08/12/09	DRAWN BY JMH	SIZE B	SCALE NTS	DWG NO. 1 OF 1	REV 0
------------------	-----------------	-----------	--------------	-------------------	----------

LIST OF MATERIALS

PART	QUANTITY	PART #
8' STEP	1	PBS-8
6' PLAIN	10	K23030
4' PLAIN	3	K23032
2' PLAIN	2	K23028
4' RADIUS	10	K23031
2' REV. RADIUS	1	K23037
BRACE	22	POLY BRACE



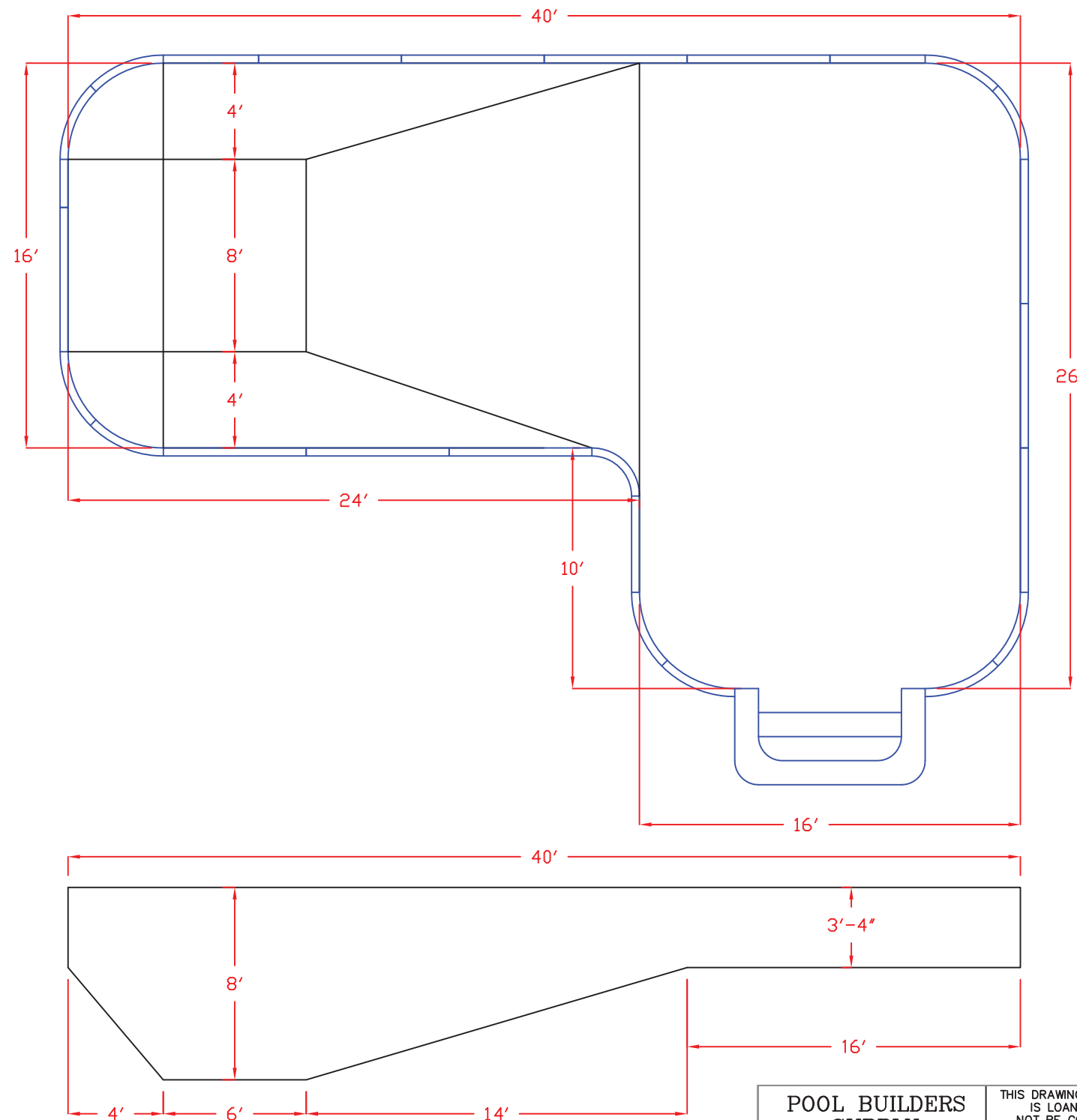
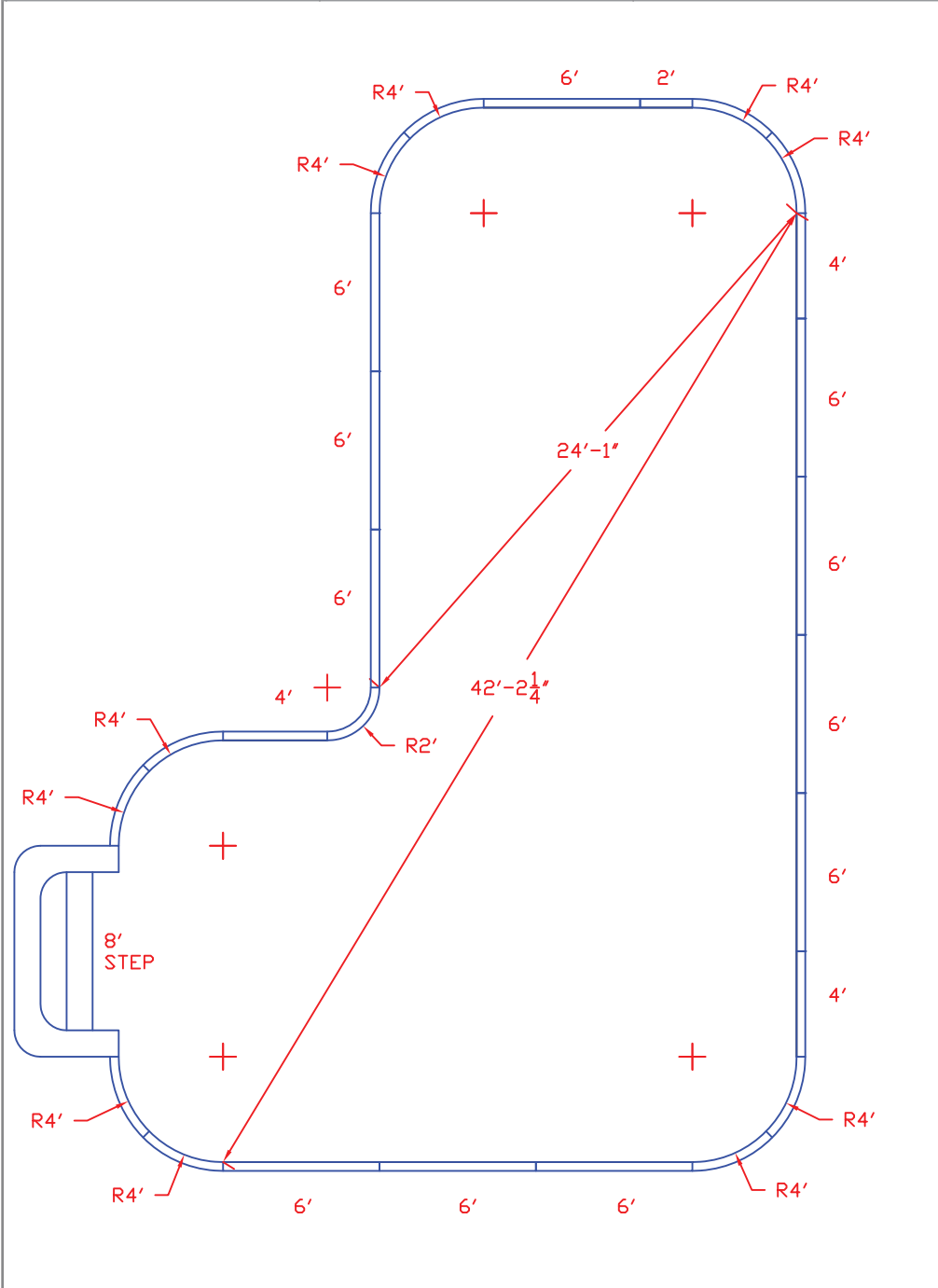
GENERAL NOTES:
 This is a Type II pool & Type II diving equipment must be used. Consult diving board manufacturer's specifications.
 This drawing is for illustrative purposes only. Dealer/ builder is an independent contractor and not an agent or employee of Pool Builders Supply. Pool Builders Supply makes no representations other than that which is stated in its written warranty. The customer or Dealer/ Builder is responsible for all construction methods and conforming to all building codes.
 Safety rope must be installed 1ft. from break on shallow side.
 No diving placards must be used in the shallow end.

PERIMETER: 118'-7"
 S.A.: 751.69 SQ.FT.
 VOLUME: 24,806 GAL.

POOL BUILDERS SUPPLY 1124 CENTRAL AVE. CHARLOTTE, NC 28204		THIS DRAWING IS THE PROPERTY OF POOL BUILDERS SUPPLY AND IS LOANED FOR CONFIDENTIAL USE ONLY, AND SHOULD NOT BE COPIED OR USED FOR ANY PURPOSE DETRIMENTAL TO THE INTEREST OF POOL BUILDERS SUPPLY.			
		16' X 40' X 24' W/ 4'R TRUE L RIGHT - POLY			
DATE 08/12/09	DRAWN BY JMH	SIZE B	SCALE NTS	DWG NO. 1 OF 1	REV 0

LIST OF MATERIALS

PART	QUANTITY	PART #
8' STEP	1	PBS-8
6' PLAIN	11	K23030
4' PLAIN	3	K23032
2' PLAIN	1	K23028
4' RADIUS	10	K23031
2' REV. RAD.	1	K23037
BRACE	23	POLY BRACE



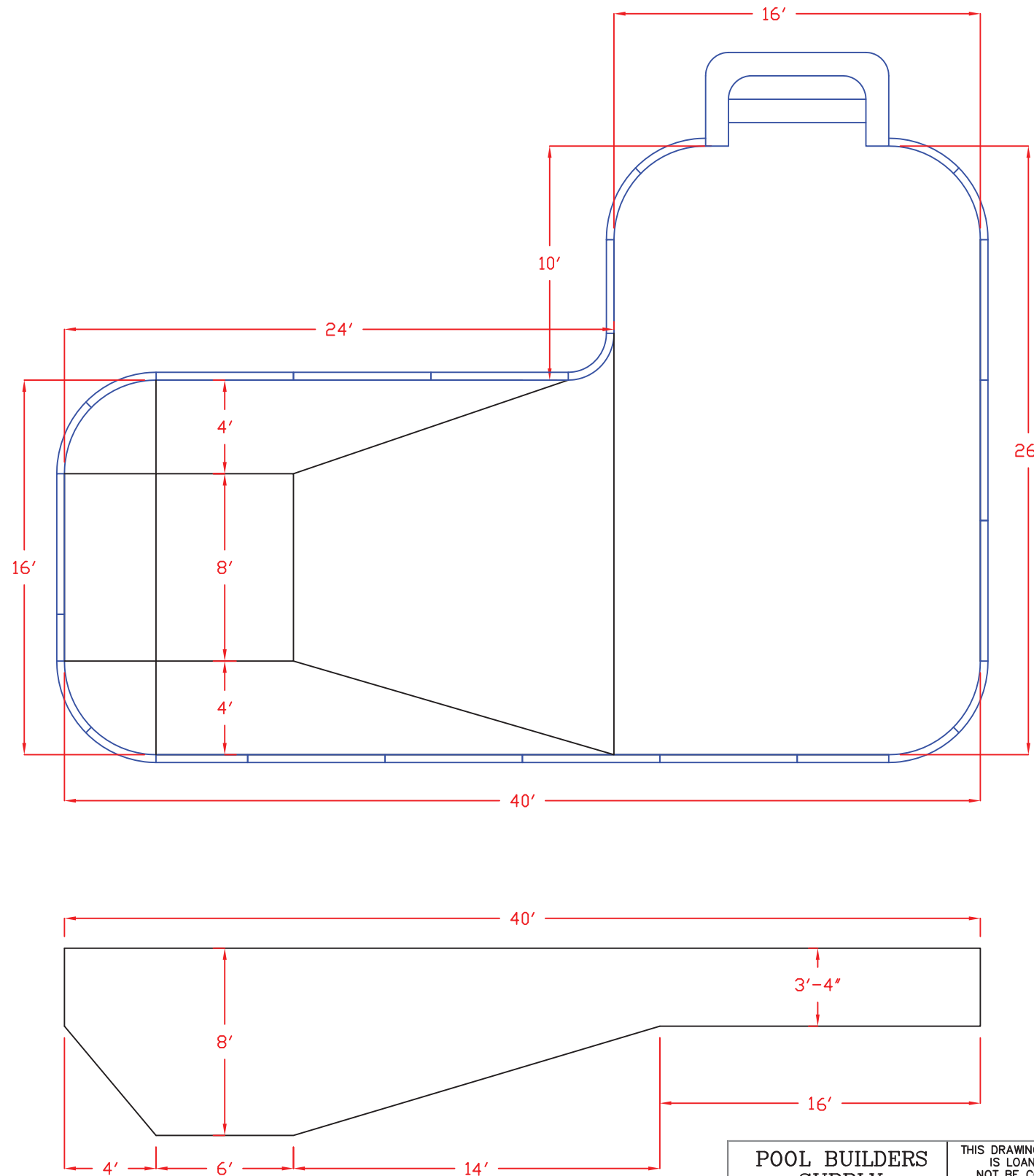
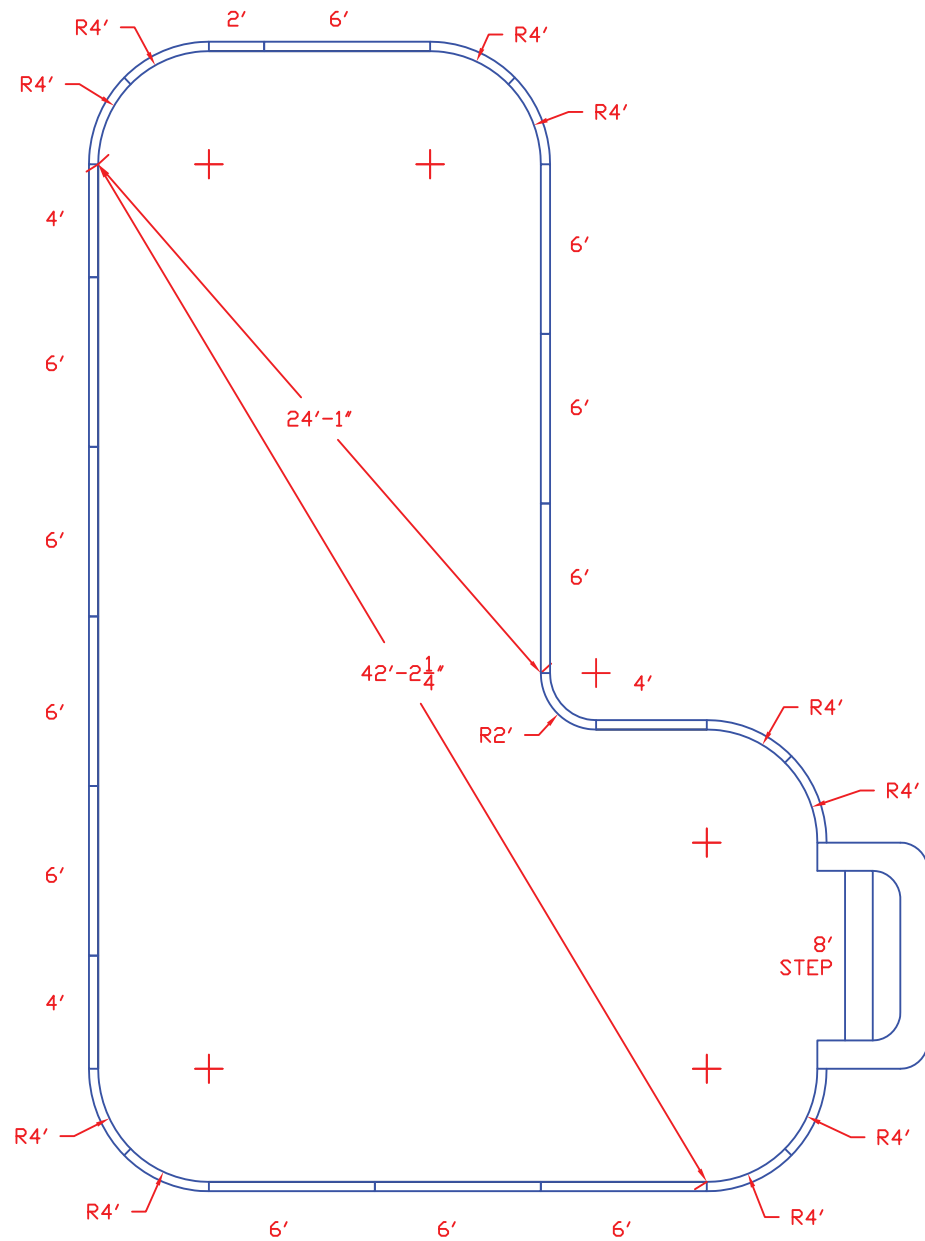
GENERAL NOTES:
 This is a Type II pool & Type II diving equipment must be used. Consult diving board manufacturer's specifications.
 This drawing is for illustrative purposes only. Dealer/ builder is an independent contractor and not an agent or employee of Pool Builders Supply. Pool Builders Supply makes no representations other than that which is stated in its written warranty. The customer or Dealer/ Builder is responsible for all construction methods and conforming to all building codes.
 Safety rope must be installed 1ft. from break on shallow side.
 No diving placards must be used in the shallow end.

PERIMETER: 122'-7"
S.A. : 763.69 SQ.FT.
VOLUME: 26,347 GAL.

POOL BUILDERS SUPPLY 1124 CENTRAL AVE. CHARLOTTE, NC 28204		THIS DRAWING IS THE PROPERTY OF POOL BUILDERS SUPPLY AND IS LOANED FOR CONFIDENTIAL USE ONLY, AND SHOULD NOT BE COPIED OR USED FOR ANY PURPOSE DETRIMENTAL TO THE INTEREST OF POOL BUILDERS SUPPLY.	
DATE: 04/15/10		DRAWN BY: JMH	
SIZE: B	SCALE: NTS	DWG NO.: 1 of 1	REV: 0

LIST OF MATERIALS

PART	QUANTITY	PART #
8' STEP	1	PBS-8
6' PLAIN	11	K23030
4' PLAIN	3	K23032
2' PLAIN	1	K23028
4' RADIUS	10	K23031
2' REV. RAD.	1	K23037
BRACE	23	POLY BRACE



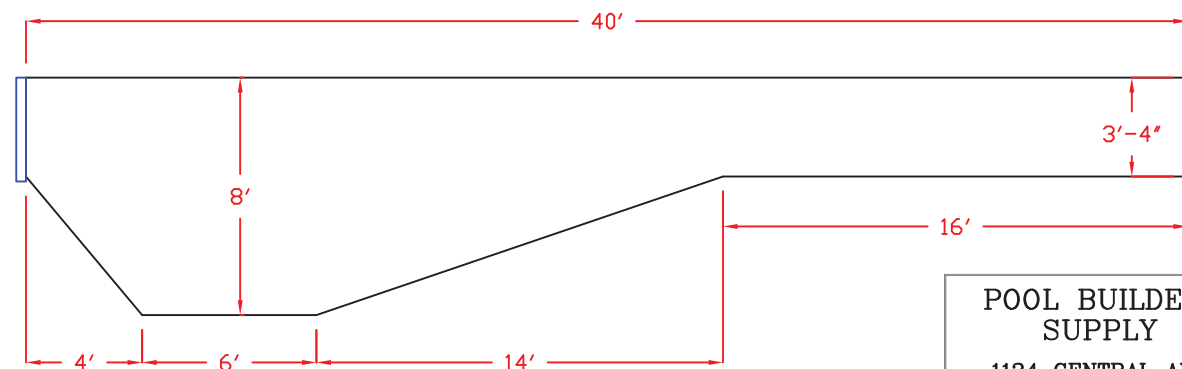
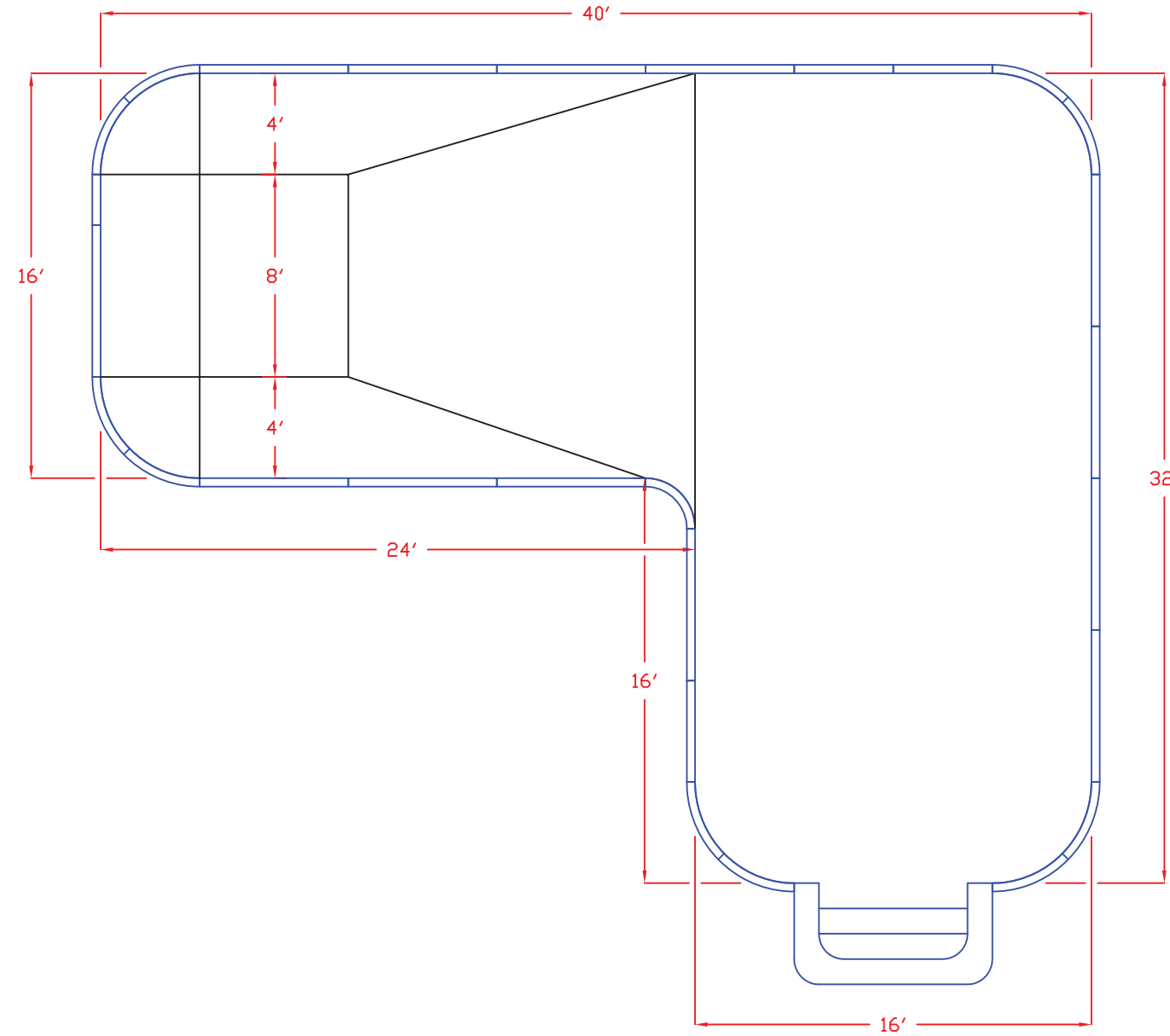
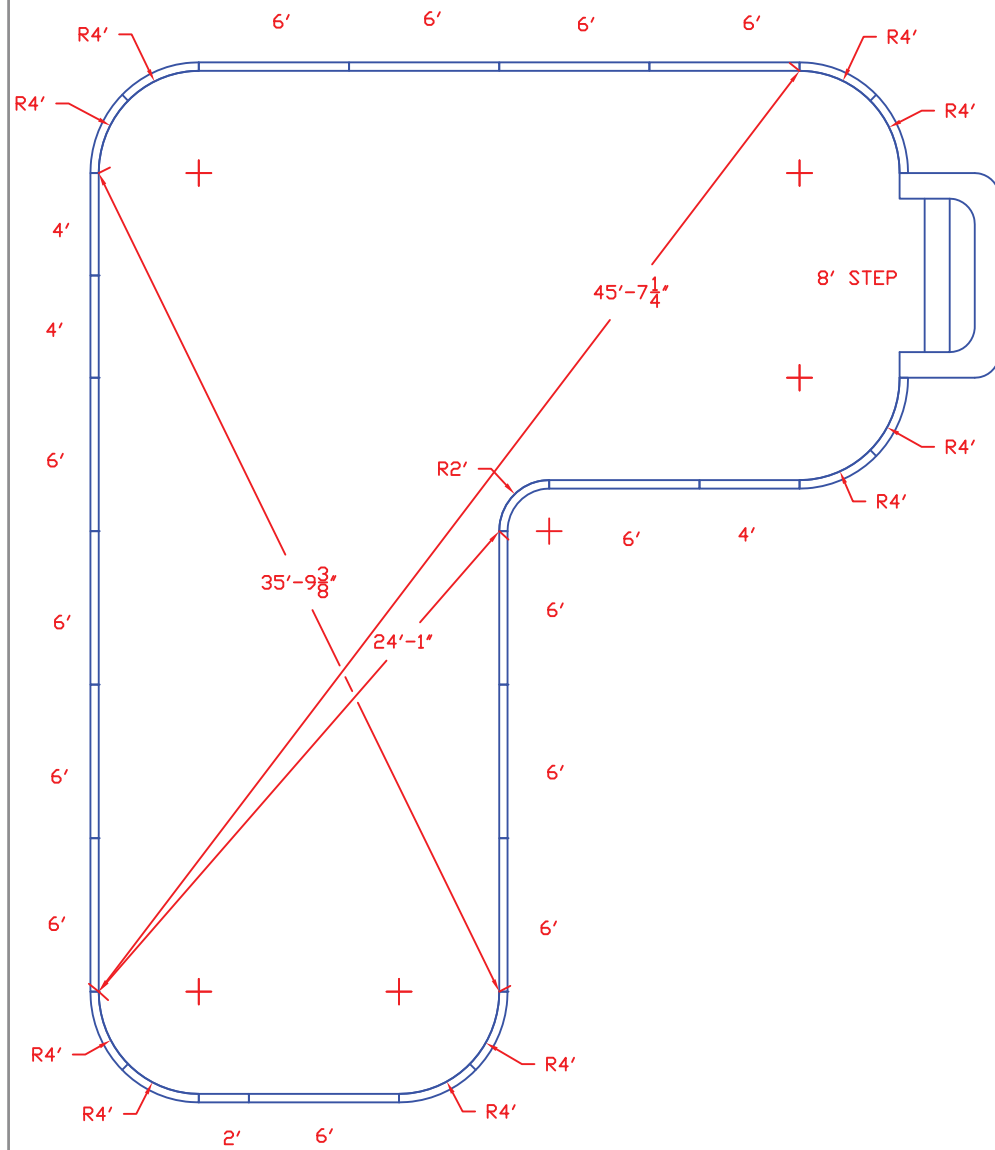
GENERAL NOTES:
 This is a Type II pool & Type II diving equipment must be used. Consult diving board manufacturer's specifications.
 This drawing is for illustrative purposes only. Dealer/ builder is an independent contractor and not an agent or employee of Pool Builders Supply. Pool Builders Supply makes no representations other than that which is stated in its written warranty. The customer or Dealer/ Builder is responsible for all construction methods and conforming to all building codes.
 Safety rope must be installed 1ft. from break on shallow side.
 No diving placards must be used in the shallow end.

PERIMETER: 122'-7"
S.A. : 763.69 SQ.FT.
VOLUME: 26,347 GAL.

POOL BUILDERS SUPPLY 1124 CENTRAL AVE. CHARLOTTE, NC 28204		THIS DRAWING IS THE PROPERTY OF POOL BUILDERS SUPPLY AND IS LOANED FOR CONFIDENTIAL USE ONLY, AND SHOULD NOT BE COPIED OR USED FOR ANY PURPOSE DETRIMENTAL TO THE INTEREST OF POOL BUILDERS SUPPLY.	
DATE: 04/15/10		DRAWN BY: JMH	
SIZE: B	SCALE: NTS	DWG NO.: 1 of 1	REV: 0

LIST OF MATERIALS

PART	QUANTITY	PART #
8' STEP	1	PBS-8
6' PLAIN	13	K23030
4' PLAIN	3	K23032
2' PLAIN	1	K23028
4' RADIUS	10	K23031
2' REV. RADIUS	1	K23037
BRACE	24	POLY BRACE



GENERAL NOTES:

This is a Type II pool & Type II diving equipment must be used. Consult diving board manufacturer's specifications.

This drawing is for illustrative purposes only. Dealer/ builder is an independent contractor and not an agent or employee of Pool Builders Supply. Pool Builders Supply makes no representations other than that which is stated in its written warranty. The customer or Dealer/ Builder is responsible for all construction methods and conforming to all building codes.

Safety rope must be installed 1ft. from break on shallow side.

No diving placards must be used in the shallow end.

PERIMETER: 134'-7"

S.A. : 879.69 SQ.FT.

VOLUME: 29,030 GAL.

**POOL BUILDERS
SUPPLY**
1124 CENTRAL AVE.
CHARLOTTE, NC
28204

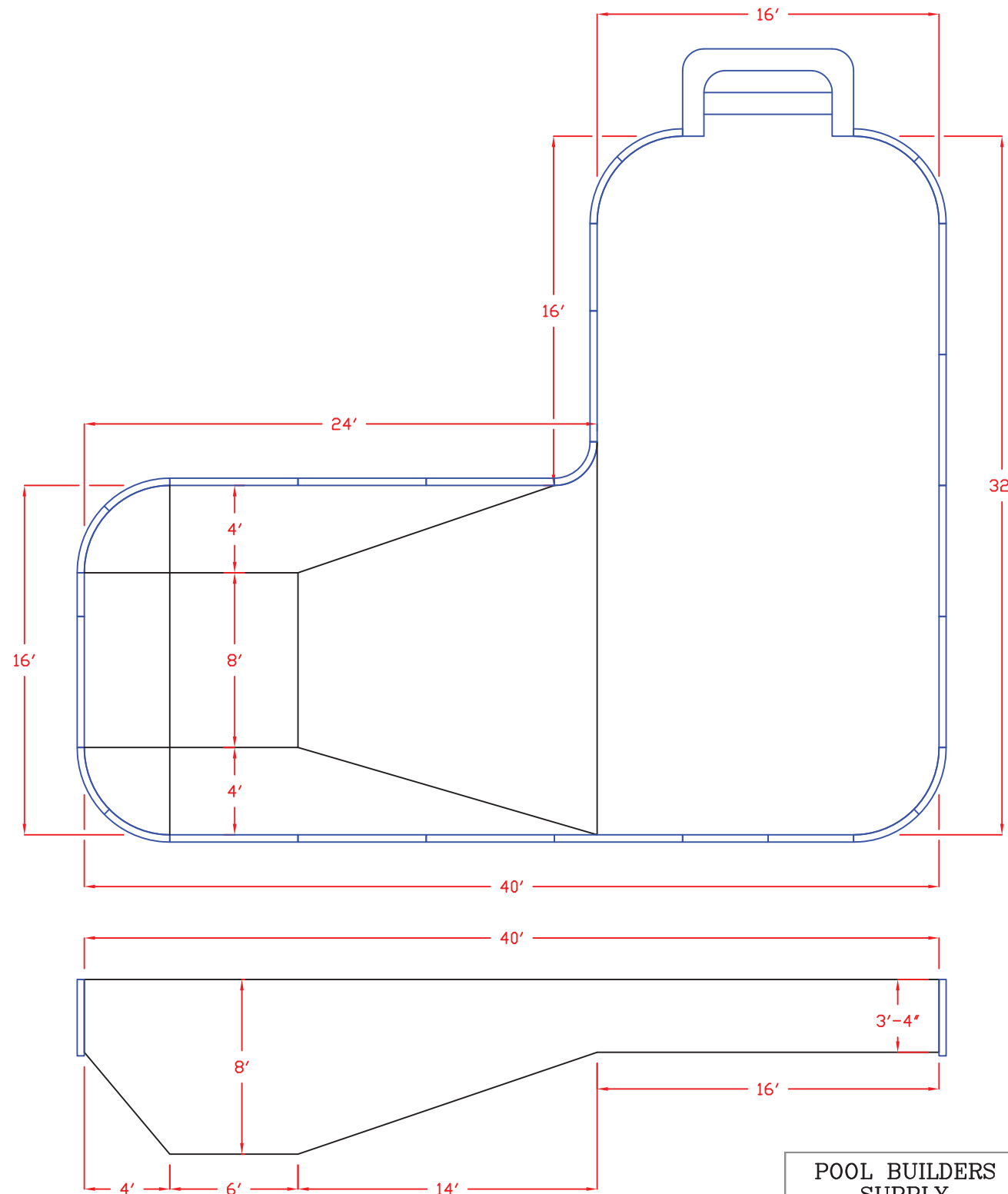
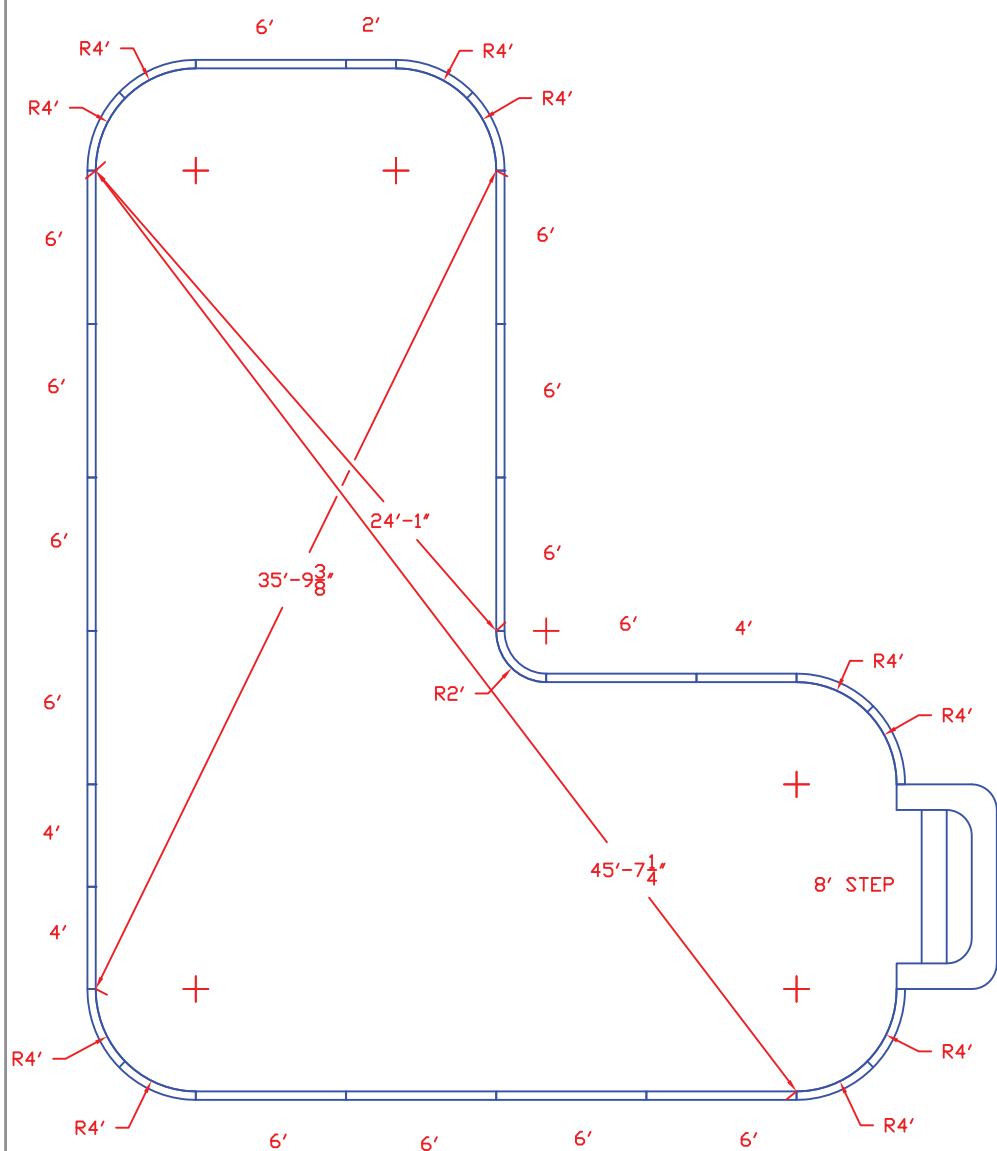
THIS DRAWING IS THE PROPERTY OF POOL BUILDERS SUPPLY AND IS LOANED FOR CONFIDENTIAL USE ONLY, AND SHOULD NOT BE COPIED OR USED FOR ANY PURPOSE DETRIMENTAL TO THE INTEREST OF POOL BUILDERS SUPPLY.

16' X 40' X 32' W/ 4'R
TRUE L LEFT - POLY

DATE 08/13/09	DRAWN BY JMH	SIZE B	SCALE NTS	DWG NO. 1 OF 1	REV 0
------------------	-----------------	-----------	--------------	-------------------	----------

LIST OF MATERIALS

PART	QUANTITY	PART #
8' STEP	1	PBS-8
6' PLAIN	13	K23030
4' PLAIN	3	K23032
2' PLAIN	1	K23028
4' RADIUS	10	K23031
2' REV. RADIUS	1	K23037
BRACE	24	POLY BRACE



GENERAL NOTES:
 This is a Type II pool & Type II diving equipment must be used. Consult diving board manufacturer's specifications.

This drawing is for illustrative purposes only. Dealer/ builder is an independent contractor and not an agent or employee of Pool Builders Supply. Pool Builders Supply makes no representations other than that which is stated in its written warranty. The customer or Dealer/ Builder is responsible for all construction methods and conforming to all building codes.

Safety rope must be installed 1ft. from break on shallow side.

No diving placards must be used in the shallow end.

PERIMETER: 134'-7"

S.A. : 879.69 SQ.FT.

VOLUME: 29,030 GAL.

**POOL BUILDERS
SUPPLY**
 1124 CENTRAL AVE.
 CHARLOTTE, NC
 28204

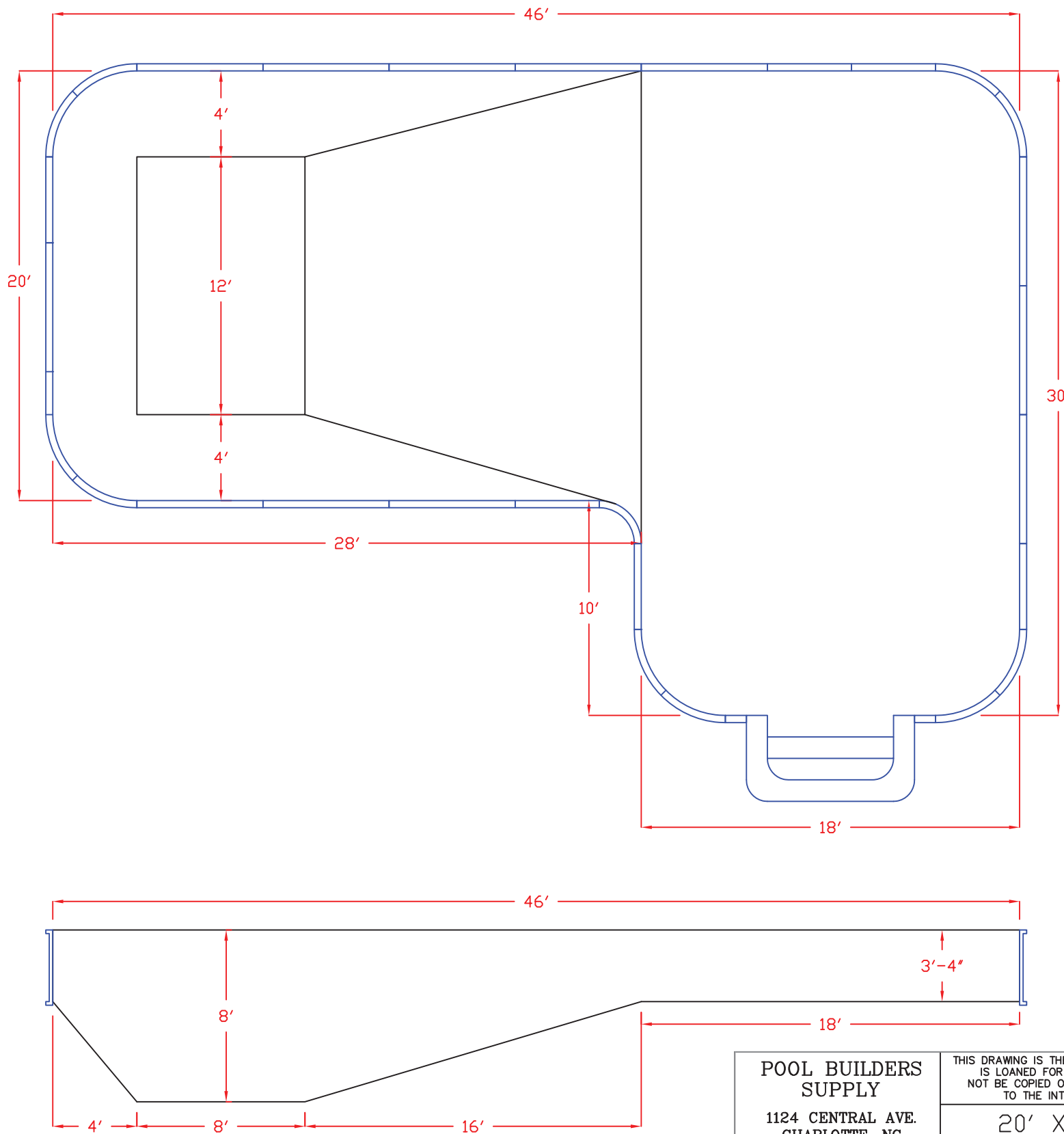
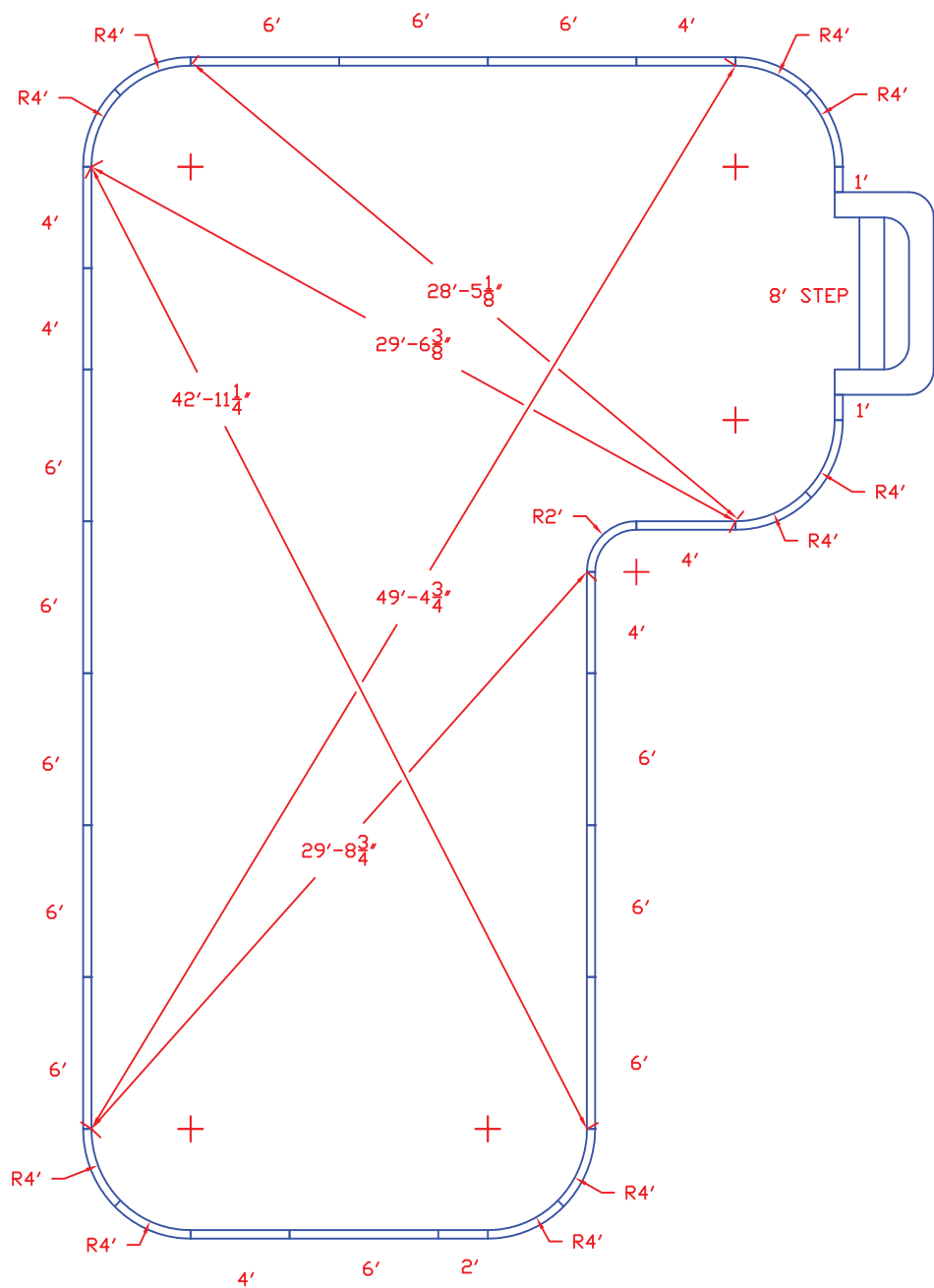
THIS DRAWING IS THE PROPERTY OF POOL BUILDERS SUPPLY AND IS LOANED FOR CONFIDENTIAL USE ONLY, AND SHOULD NOT BE COPIED OR USED FOR ANY PURPOSE DETRIMENTAL TO THE INTEREST OF POOL BUILDERS SUPPLY.

16' X 40' X 32' W/ 4'R
 TRUE L RIGHT - POLY

DATE 08/13/09	DRAWN BY JMH	SIZE B	SCALE NTS	DWG NO. 1 OF 1	REV 0
------------------	-----------------	-----------	--------------	-------------------	----------

LIST OF MATERIALS

PART	QUANTITY	PART #
8' STEP	1	PBS-8
6' PLAIN	12	K23030
4' PLAIN	6	K23032
2' PLAIN	1	K23028
4' RADIUS	10	K23031
2' REV. RADIUS	1	K23037
1' PLAIN	2	K23036
BRACE	28	POLY BRACE



GENERAL NOTES:
 This is a Type II pool & Type II diving equipment must be used. Consult diving board manufacturer's specifications.

This drawing is for illustrative purposes only. Dealer/ builder is an independent contractor and not an agent or employee of Pool Builders Supply. Pool Builders Supply makes no representations other than that which is stated in its written warranty. The customer or Dealer/ Builder is responsible for all construction methods and conforming to all building codes.

Safety rope must be installed 1ft. from break on shallow side.

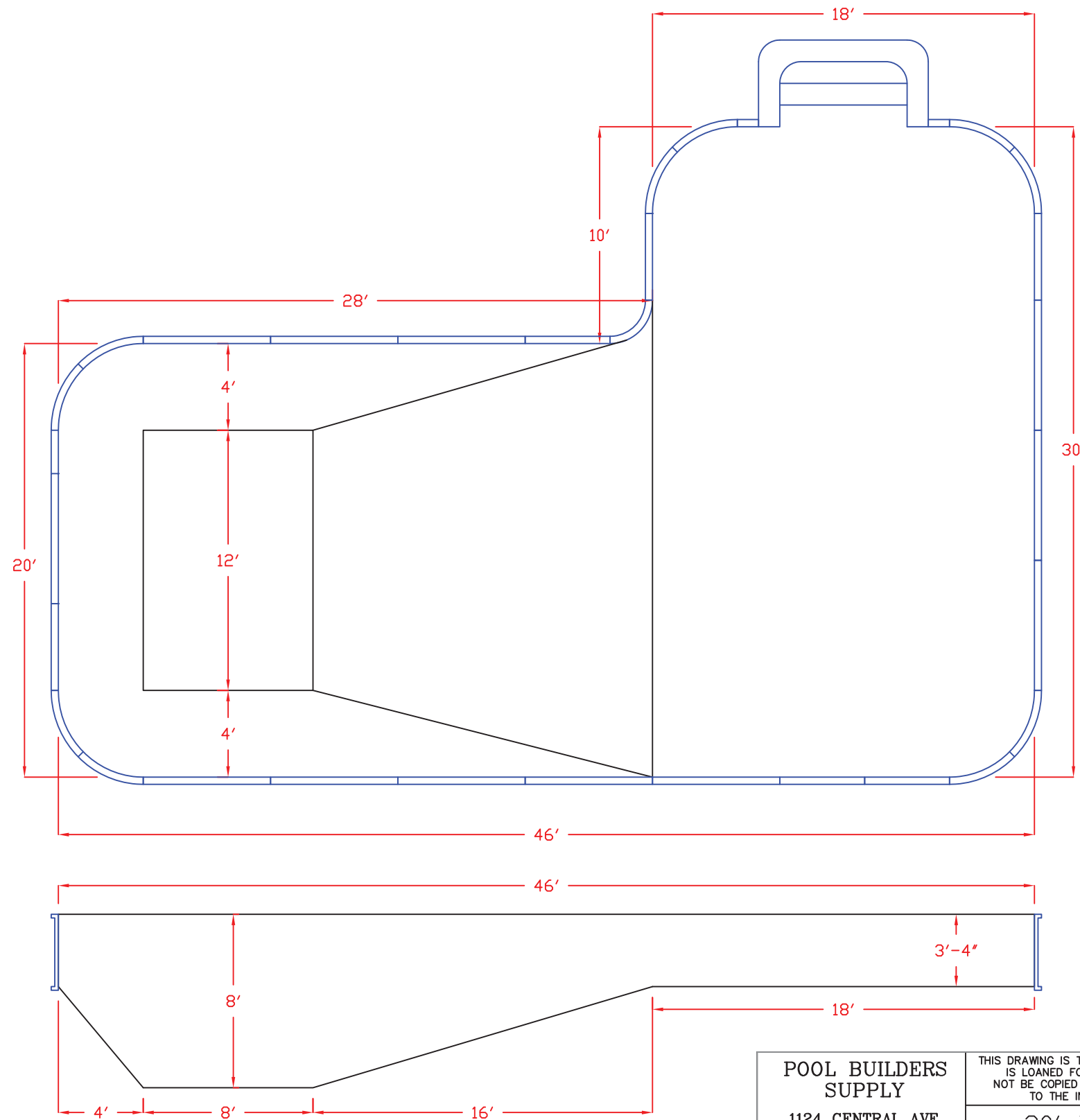
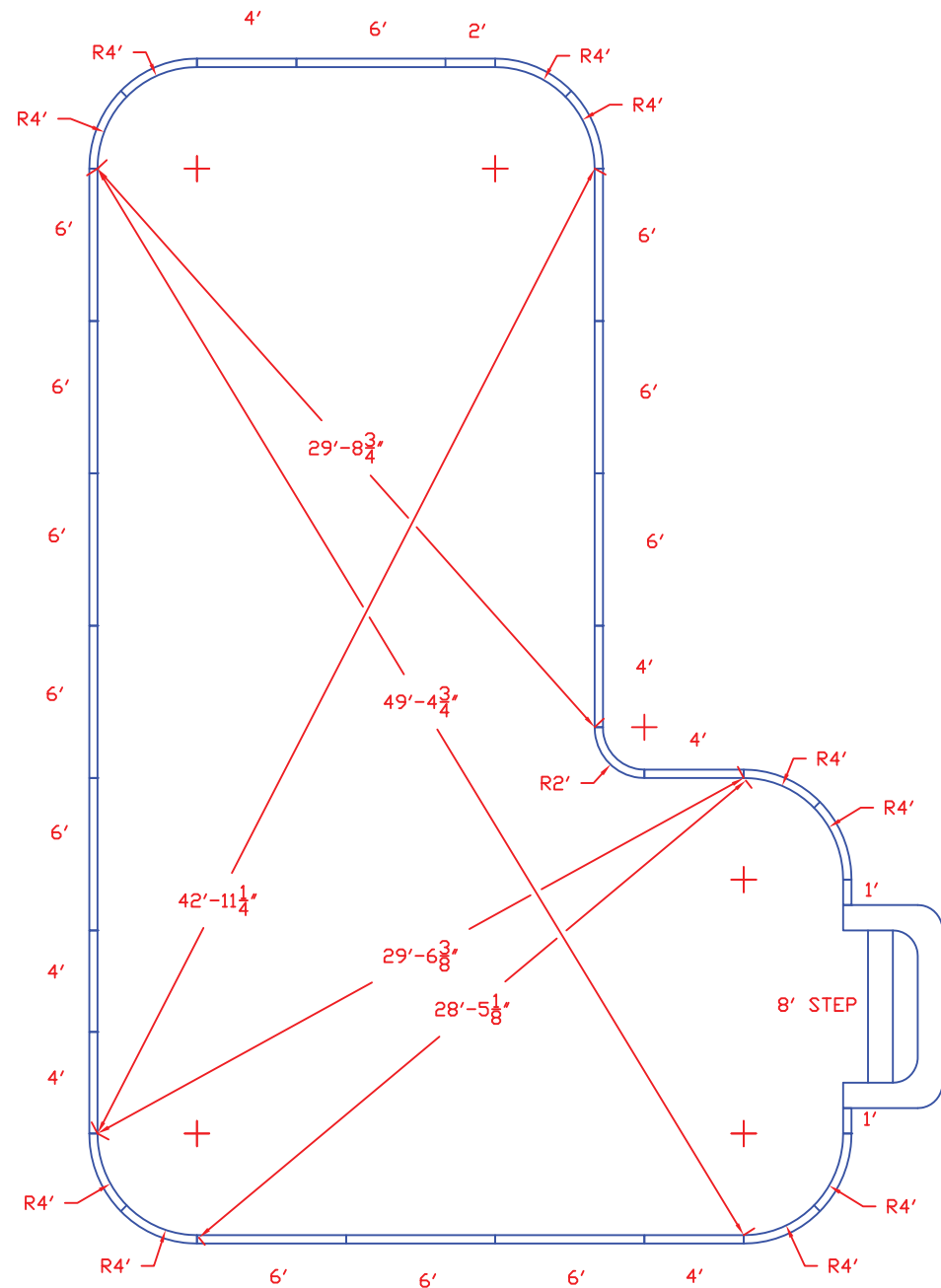
No diving placards must be used in the shallow end.

PERIMETER: 142'-7"
S.A. : 1,083.69 SQ.FT.
VOLUME: 35,762 GAL.

POOL BUILDERS SUPPLY		THIS DRAWING IS THE PROPERTY OF POOL BUILDERS SUPPLY AND IS LOANED FOR CONFIDENTIAL USE ONLY, AND SHOULD NOT BE COPIED OR USED FOR ANY PURPOSE DETRIMENTAL TO THE INTEREST OF POOL BUILDERS SUPPLY.	
1124 CENTRAL AVE. CHARLOTTE, NC 28204		20' X 46' X 30' W/ 4'R TRUE L LEFT - POLY	
DATE 08/13/09	DRAWN BY JMH	SIZE B	SCALE NTS
DWG NO. 1 of 1		REV 0	

LIST OF MATERIALS

PART	QUANTITY	PART #
8' STEP	1	PBS-8
6' PLAIN	12	K23030
4' PLAIN	6	K23032
2' PLAIN	1	K23028
4' RADIUS	10	K23031
2' REV. RADIUS	1	K23037
1' PLAIN	2	K23036
BRACE	28	POLY BRACE



GENERAL NOTES:
 This is a Type II pool & Type II diving equipment must be used. Consult diving board manufacturer's specifications.

This drawing is for illustrative purposes only. Dealer/ builder is an independent contractor and not an agent or employee of Pool Builders Supply. Pool Builders Supply makes no representations other than that which is stated in its written warranty. The customer or Dealer/ Builder is responsible for all construction methods and conforming to all building codes.

Safety rope must be installed 1ft. from break on shallow side.

No diving placards must be used in the shallow end.

PERIMETER: 142'-7"
S.A. : 1,083.69 SQ.FT.
VOLUME: 35,762 GAL.

POOL BUILDERS SUPPLY
 1124 CENTRAL AVE.
 CHARLOTTE, NC
 28204

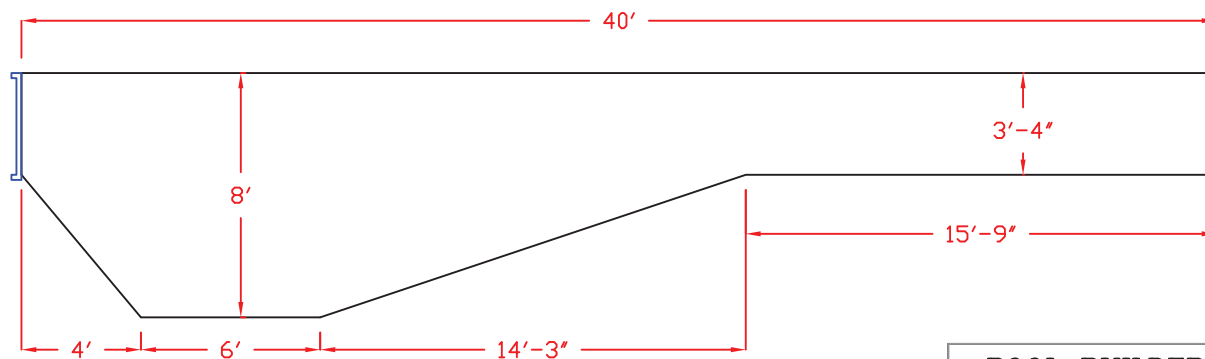
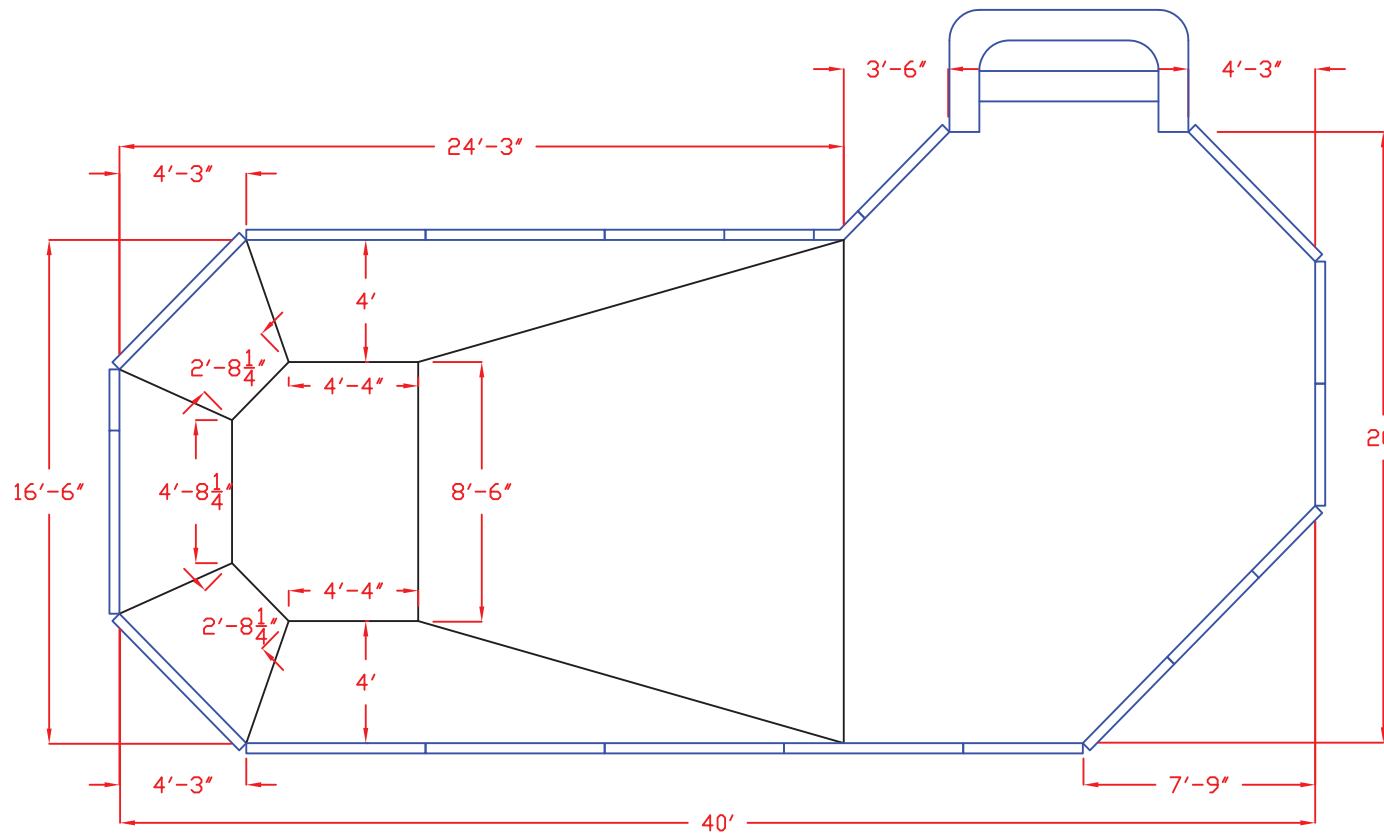
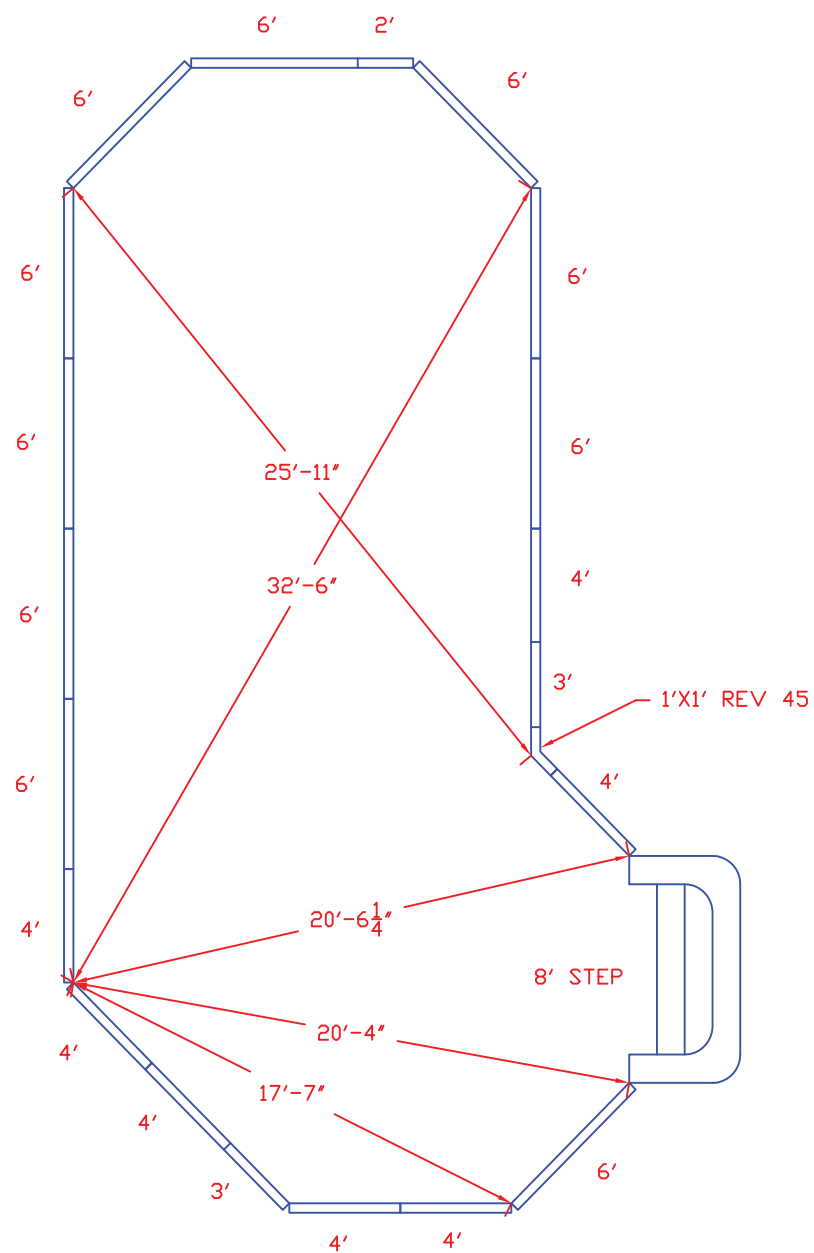
THIS DRAWING IS THE PROPERTY OF POOL BUILDERS SUPPLY AND IS LOANED FOR CONFIDENTIAL USE ONLY, AND SHOULD NOT BE COPIED OR USED FOR ANY PURPOSE DETRIMENTAL TO THE INTEREST OF POOL BUILDERS SUPPLY.

20' X 46' X 30' W/ 4'R
 TRUE L RIGHT - POLY

DATE 08/13/09	DRAWN BY JMH	SIZE B	SCALE NTS	DWG NO. 1 of 1	REV 0
------------------	-----------------	-----------	--------------	-------------------	----------

LIST OF MATERIALS

PART	QUANTITY	PART #
8' STEP	1	PBS-8
6' PLAIN	10	K23030
4' PLAIN	6	K23032
3' PLAIN	3	K23029
2' PLAIN	1	K23028
1'x1' REV. 45°	1	K23039
45° GREC. ANGLE	9	K52GF
BRACE	22	POLY BRACE



GENERAL NOTES:

This is a Type II pool & Type II diving equipment must be used. Consult diving board manufacturer's specifications.

This drawing is for illustrative purposes only. Dealer/ builder is an independent contractor and not an agent or employee of Pool Builders Supply. Pool Builders Supply makes no representations other than that which is stated in its written warranty. The customer or Dealer/ Builder is responsible for all construction methods and conforming to all building codes.

Safety rope must be installed 1ft. from break on shallow side.

No diving placards must be used in the shallow end.

PERIMETER: 106'-0"

S.A. : 652 SQ.FT.

VOLUME: 22,492 GAL.

**POOL BUILDERS
SUPPLY**
1124 CENTRAL AVE.
CHARLOTTE, NC
28204

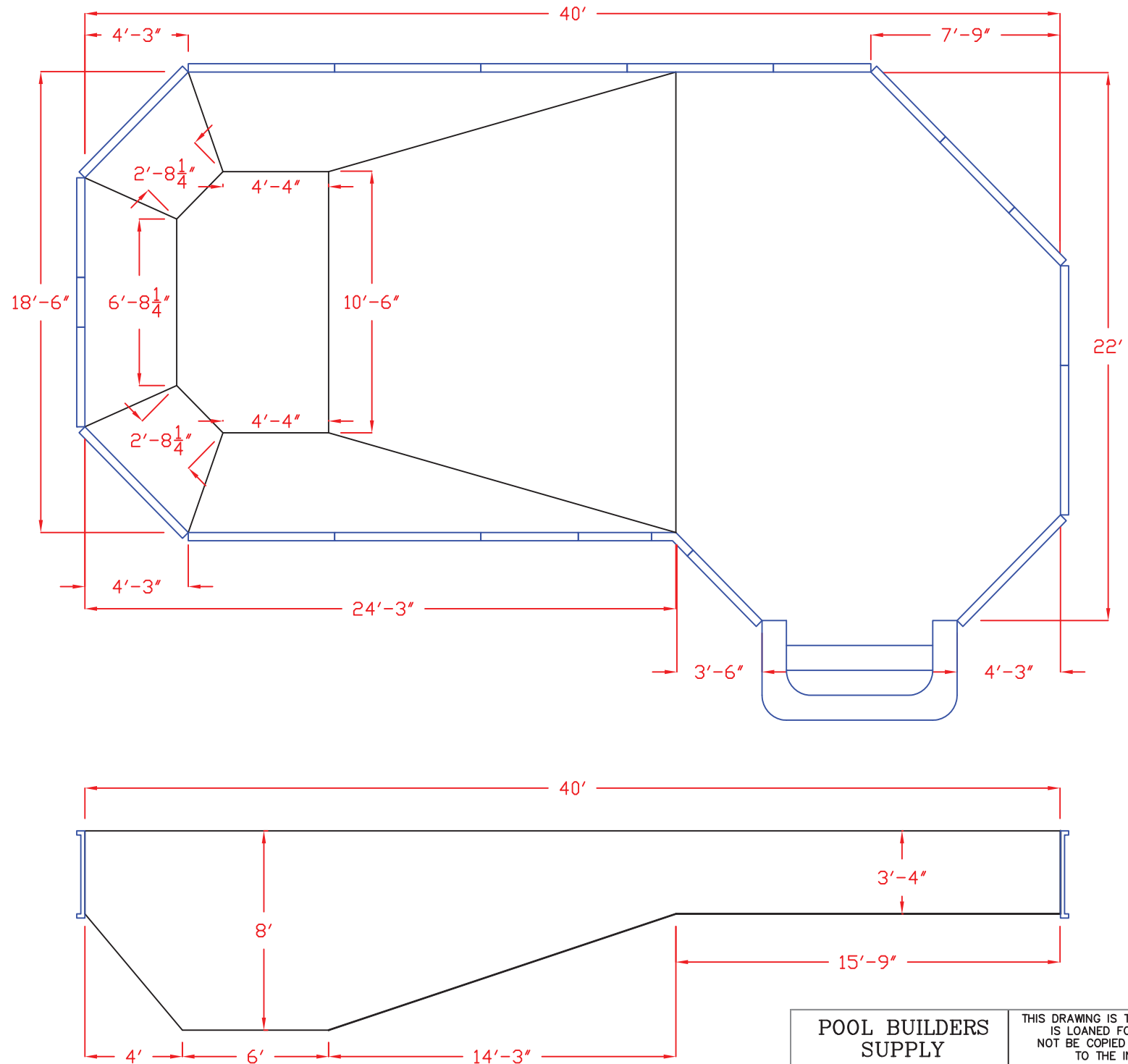
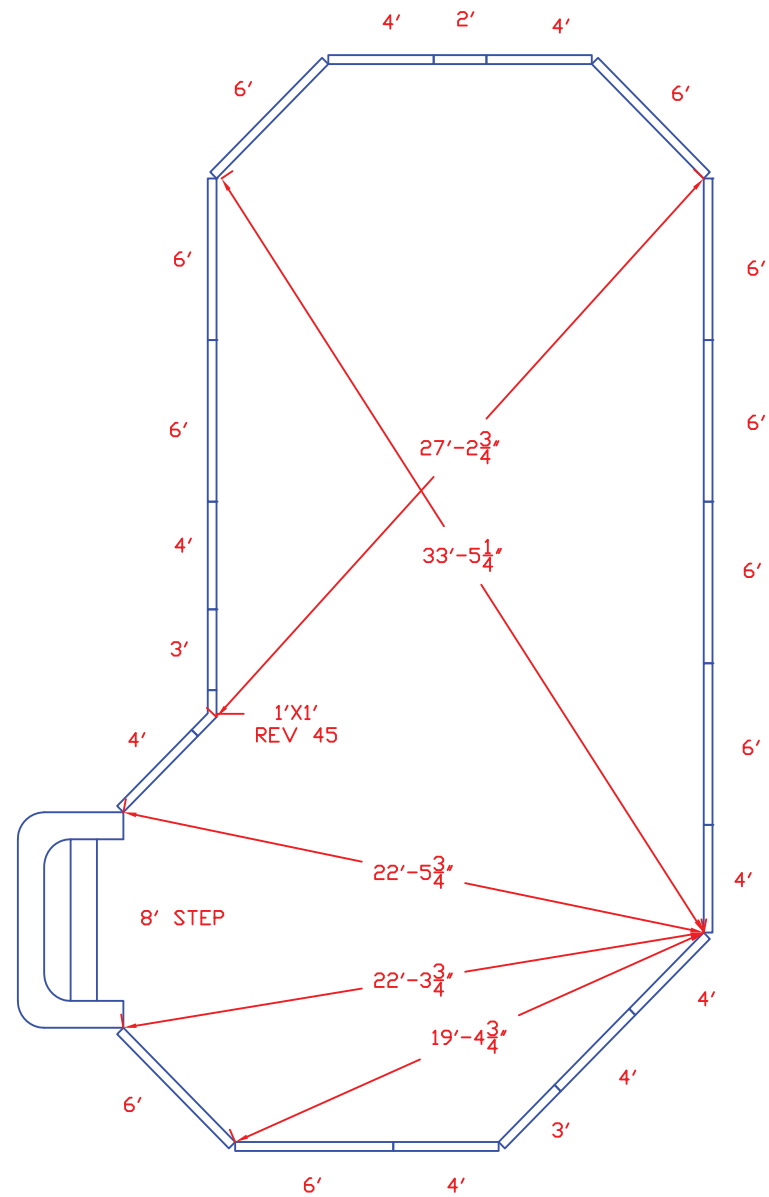
THIS DRAWING IS THE PROPERTY OF POOL BUILDERS SUPPLY AND IS LOANED FOR CONFIDENTIAL USE ONLY, AND SHOULD NOT BE COPIED OR USED FOR ANY PURPOSE DETRIMENTAL TO THE INTEREST OF POOL BUILDERS SUPPLY.

16'-6" X 40' X 20'
GRECIAN LAZY L RIGHT - POLY

DATE	DRAWN BY	SIZE	SCALE	DWG NO.	REV
10/16/08	JMH	B	NTS	1 OF 1	0

LIST OF MATERIALS

PART	QUANTITY	PART #
8' STEP	1	PBS-8
6' PLAIN	10	K23030
4' PLAIN	8	K23032
3' PLAIN	2	K23029
2' PLAIN	1	K23028
1'x1' REV. 45°	1	K23039
45° GREC. ANGLE	9	K52GF
BRACE	23	POLY BRACE



GENERAL NOTES:
 This is a Type II pool & Type II diving equipment must be used. Consult diving board manufacturer's specifications.

This drawing is for illustrative purposes only. Dealer/ builder is an independent contractor and not an agent or employee of Pool Builders Supply. Pool Builders Supply makes no representations other than that which is stated in its written warranty. The customer or Dealer/ Builder is responsible for all construction methods and conforming to all building codes.

Safety rope must be installed 1ft. from break on shallow side.

No diving placards must be used in the shallow end.

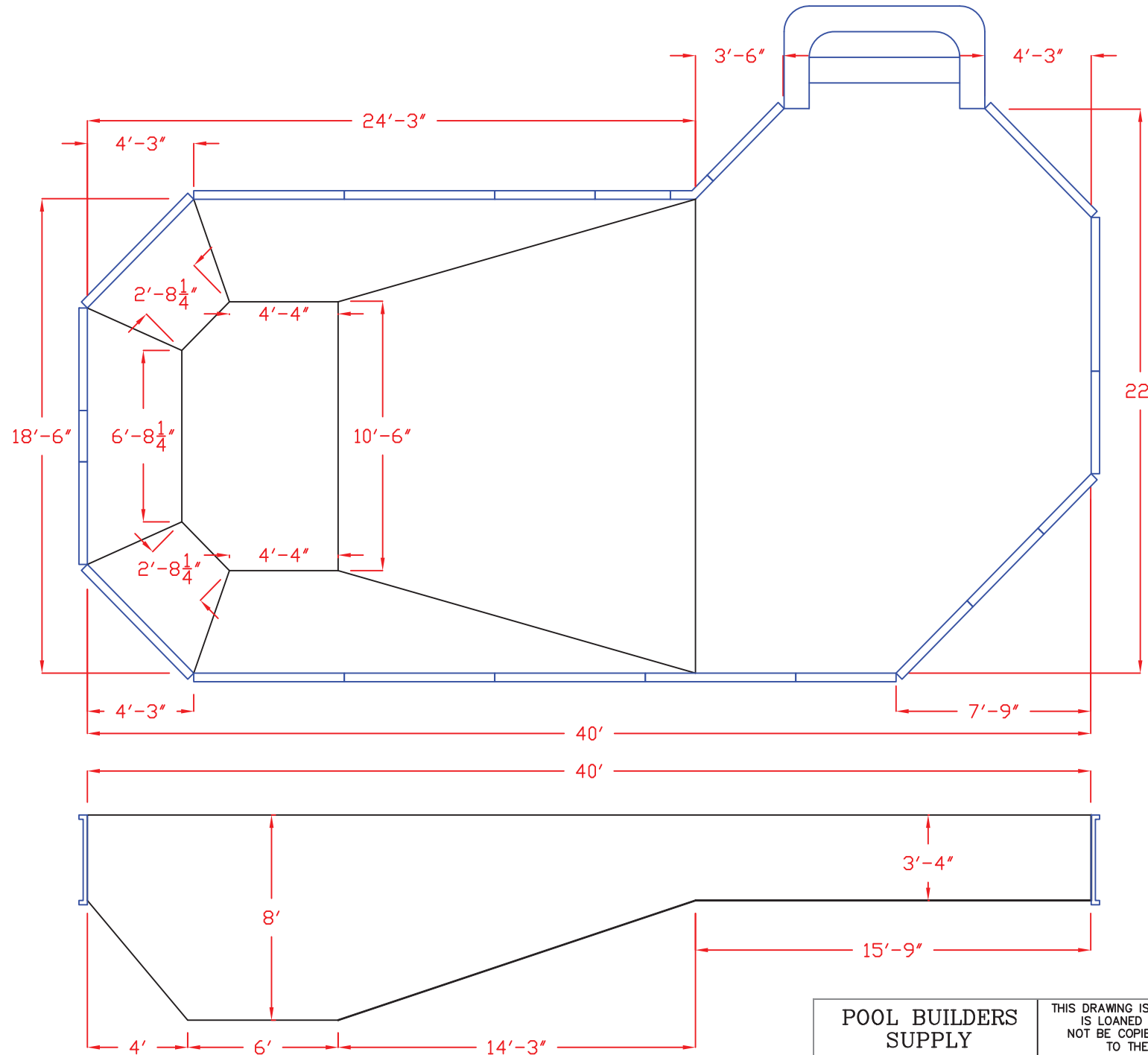
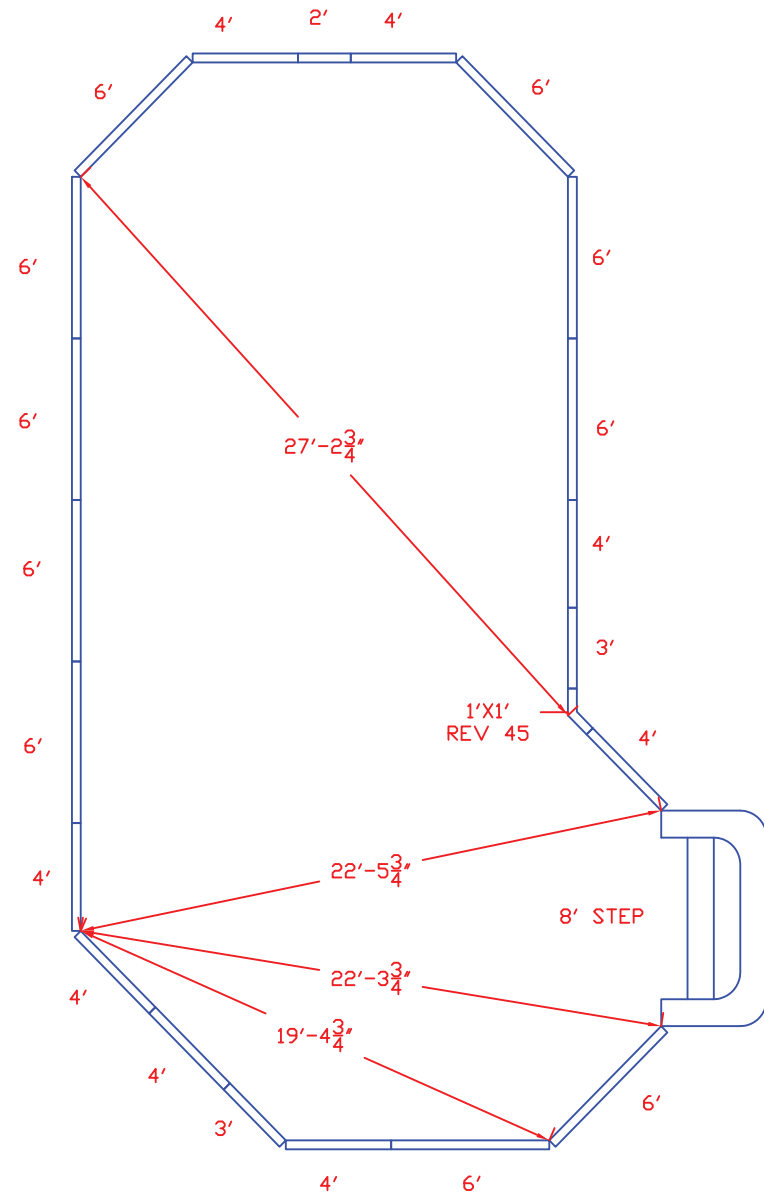
PERIMETER: 110'-0"
S.A.: 732 SQ.FT.
VOLUME: 25,254 GAL.

POOL BUILDERS SUPPLY 1124 CENTRAL AVE. CHARLOTTE, NC 28204		THIS DRAWING IS THE PROPERTY OF POOL BUILDERS SUPPLY AND IS LOANED FOR CONFIDENTIAL USE ONLY, AND SHOULD NOT BE COPIED OR USED FOR ANY PURPOSE DETRIMENTAL TO THE INTEREST OF POOL BUILDERS SUPPLY.	
DATE: 08/18/09		DRAWN BY: JMH	
SIZE: B	SCALE: NTS	DWG NO.: 1 OF 1	REV: 0

18'-6" X 40' X 22'
GRECIAN LAZY L LEFT - POLY

LIST OF MATERIALS

PART	QUANTITY	PART #
8' STEP	1	PBS-8
6' PLAIN	10	K23030
4' PLAIN	8	K23032
3' PLAIN	2	K23029
2' PLAIN	1	K23028
1'x1' REV. 45°	1	K23039
45° GREC. ANGLE	9	K52GF
BRACE	23	POLY BRACE



GENERAL NOTES:
 This is a Type II pool & Type II diving equipment must be used. Consult diving board manufacturer's specifications.

This drawing is for illustrative purposes only. Dealer/ builder is an independent contractor and not an agent or employee of Pool Builders Supply. Pool Builders Supply makes no representations other than that which is stated in its written warranty. The customer or Dealer/ Builder is responsible for all construction methods and conforming to all building codes.

Safety rope must be installed 1ft. from break on shallow side.

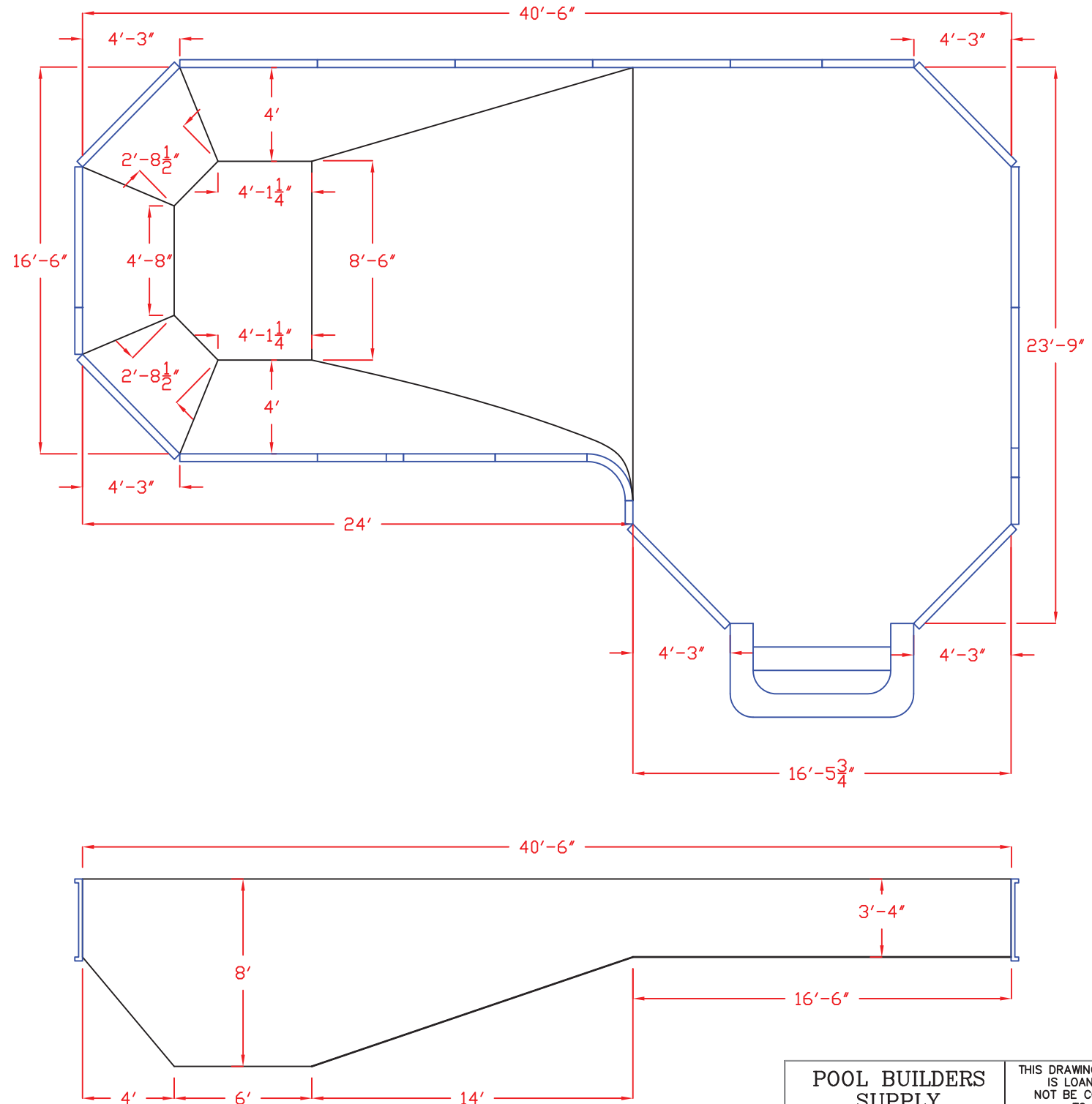
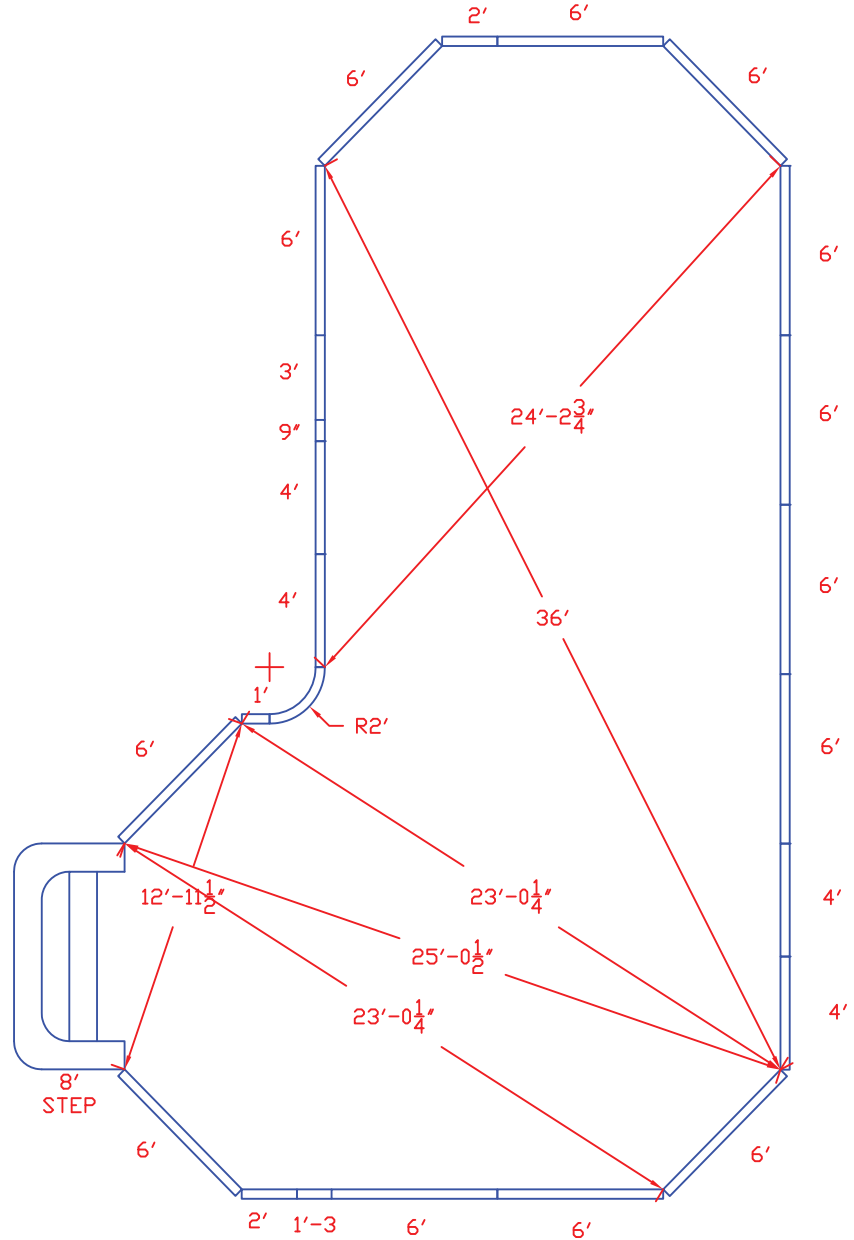
No diving placards must be used in the shallow end.

PERIMETER: 110'-0"
 S.A.: 732 SQ.FT.
 VOLUME: 25,254 GAL.

POOL BUILDERS SUPPLY 1124 CENTRAL AVE. CHARLOTTE, NC 28204		THIS DRAWING IS THE PROPERTY OF POOL BUILDERS SUPPLY AND IS LOANED FOR CONFIDENTIAL USE ONLY, AND SHOULD NOT BE COPIED OR USED FOR ANY PURPOSE DETRIMENTAL TO THE INTEREST OF POOL BUILDERS SUPPLY.	
DATE: 08/18/09 DRAWN BY: JMH		SIZE: B SCALE: NTS DWG NO.: 1 OF 1 REV: 0	
18'-6" X 40' X 22' GRECIAN LAZY L RIGHT - POLY			

LIST OF MATERIALS

PART	QUANTITY	PART #
8' STEP	1	PBS-8
6' PLAIN	13	K23030
4' PLAIN	4	K23032
3' PLAIN	1	K23029
2' PLAIN	2	K23028
1'-3" PLAIN	1	K23027
1' PLAIN	1	K23036
9" PLAIN	1	K23026
2' REV. RADIUS	1	K23037
45° GREC. ANGLE	10	K52GF
BRACE	26	POLY BRACE



GENERAL NOTES:
 This is a Type II pool & Type II diving equipment must be used. Consult diving board manufacturer's specifications.

This drawing is for illustrative purposes only. Dealer/ builder is an independent contractor and not an agent or employee of Pool Builders Supply. Pool Builders Supply makes no representations other than that which is stated in its written warranty. The customer or Dealer/ Builder is responsible for all construction methods and conforming to all building codes.

Safety rope must be installed 1ft. from break on shallow side.

No diving placards must be used in the shallow end.

PERIMETER: 115'-2"
 S.A.: 742.63 SQ.FT.
 VOLUME: 25,621 GAL.

**POOL BUILDERS
 SUPPLY**
 1124 CENTRAL AVE.
 CHARLOTTE, NC
 28204

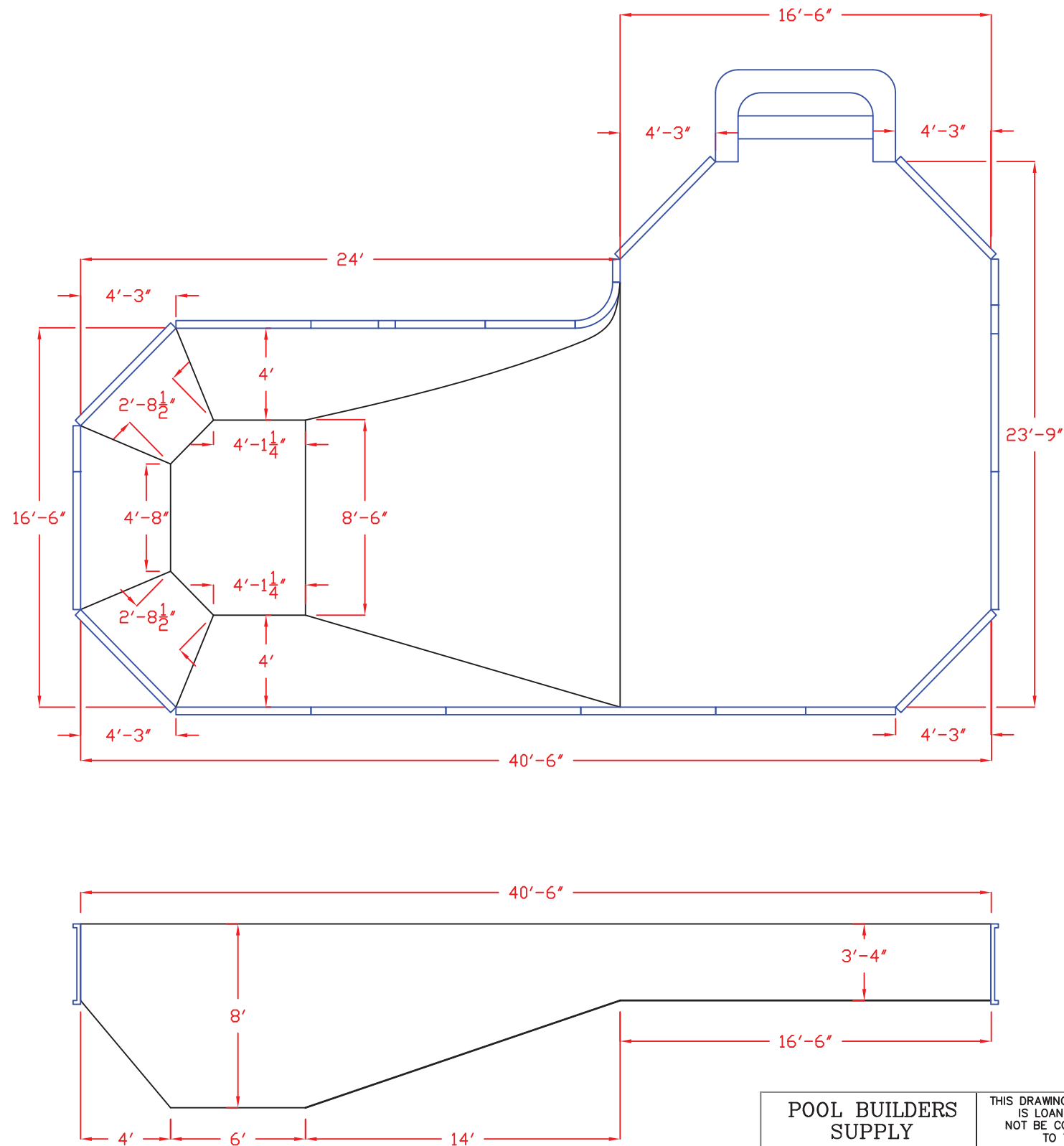
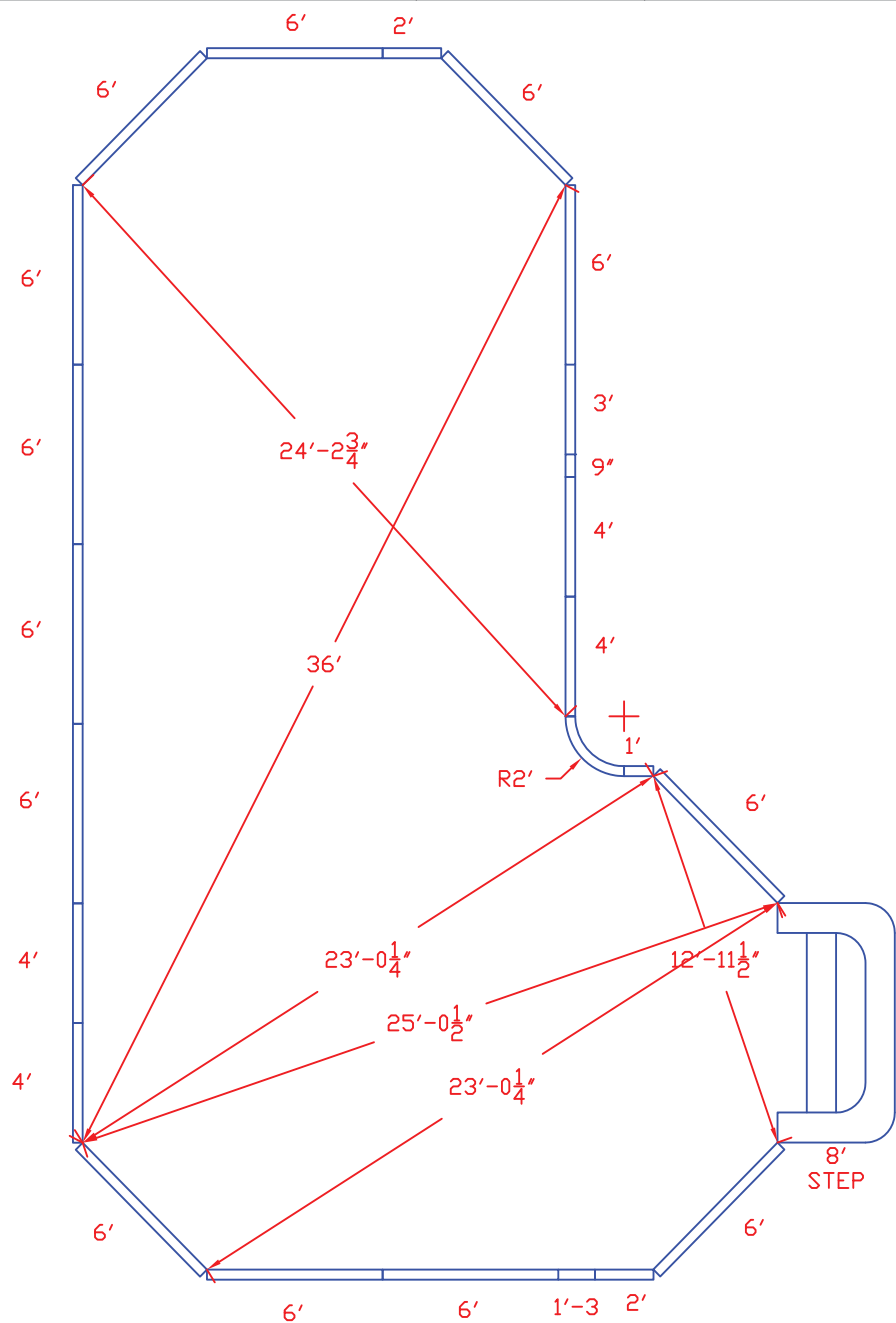
THIS DRAWING IS THE PROPERTY OF POOL BUILDERS SUPPLY AND IS LOANED FOR CONFIDENTIAL USE ONLY, AND SHOULD NOT BE COPIED OR USED FOR ANY PURPOSE DETRIMENTAL TO THE INTEREST OF POOL BUILDERS SUPPLY.

16'-6" X 40'-6" X 23'-9"
 GRECIAN TRUE L LEFT - POLY

DATE 08/18/09	DRAWN BY JMH	SIZE B	SCALE NTS	DWG NO. 1 OF 1	REV 0
------------------	-----------------	-----------	--------------	-------------------	----------

LIST OF MATERIALS

PART	QUANTITY	PART #
8' STEP	1	PBS-8
6' PLAIN	13	K23030
4' PLAIN	4	K23032
3' PLAIN	1	K23029
2' PLAIN	2	K23028
1'-3" PLAIN	1	K23027
1' PLAIN	1	K23036
9" PLAIN	1	K23026
2' REV. RADIUS	1	K23037
45° GREC. ANGLE	10	K52GF
BRACE	26	POLY BRACE



GENERAL NOTES:
 This is a Type II pool & Type II diving equipment must be used. Consult diving board manufacturer's specifications.

This drawing is for illustrative purposes only. Dealer/ builder is an independent contractor and not an agent or employee of Pool Builders Supply. Pool Builders Supply makes no representations other than that which is stated in its written warranty. The customer or Dealer/ Builder is responsible for all construction methods and conforming to all building codes.

Safety rope must be installed 1ft. from break on shallow side.

No diving placards must be used in the shallow end.

PERIMETER: 115'-2"
S.A. : 742.63 SQ.FT.
VOLUME: 25,621 GAL.

POOL BUILDERS SUPPLY
 1124 CENTRAL AVE.
 CHARLOTTE, NC
 28204

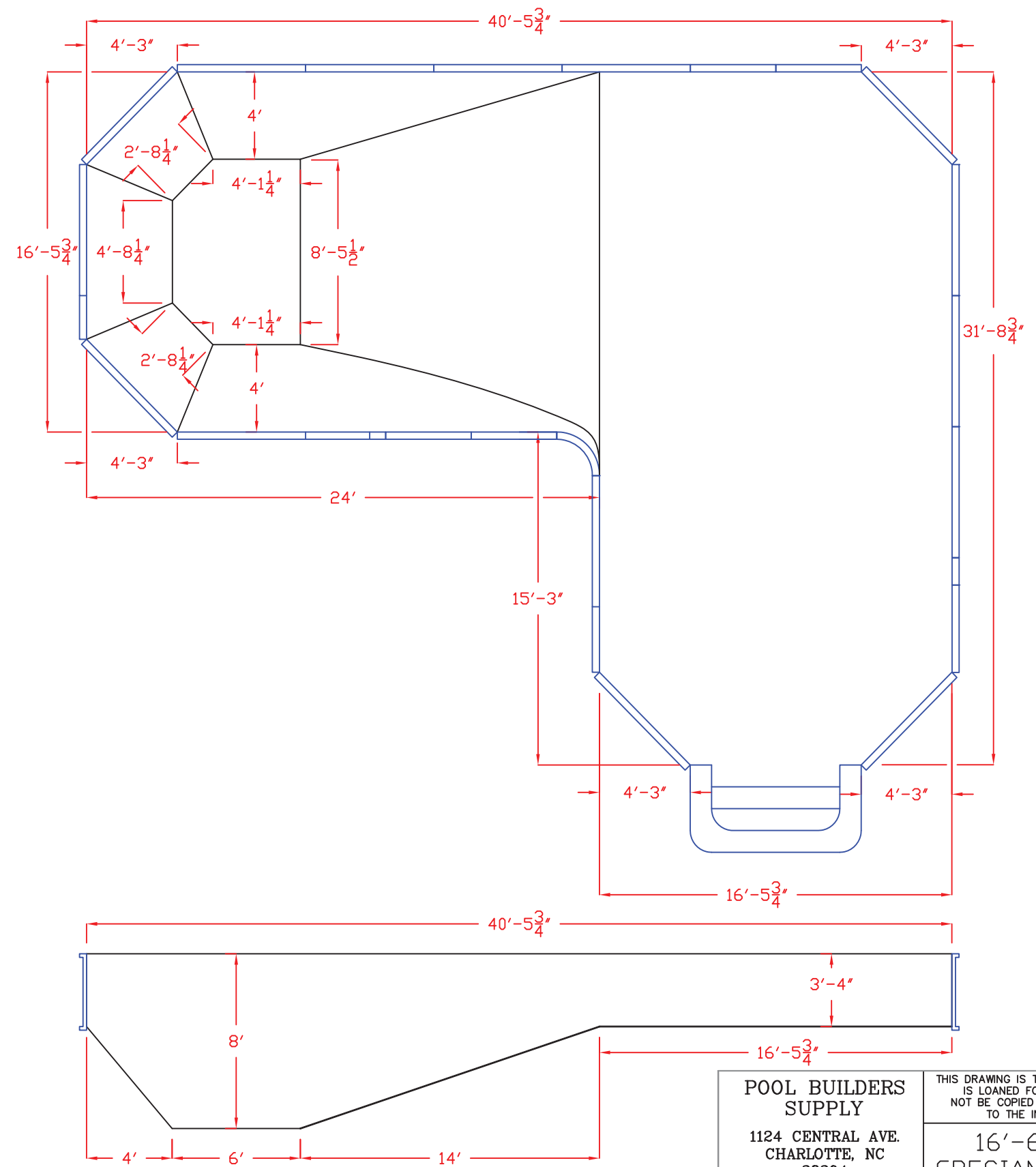
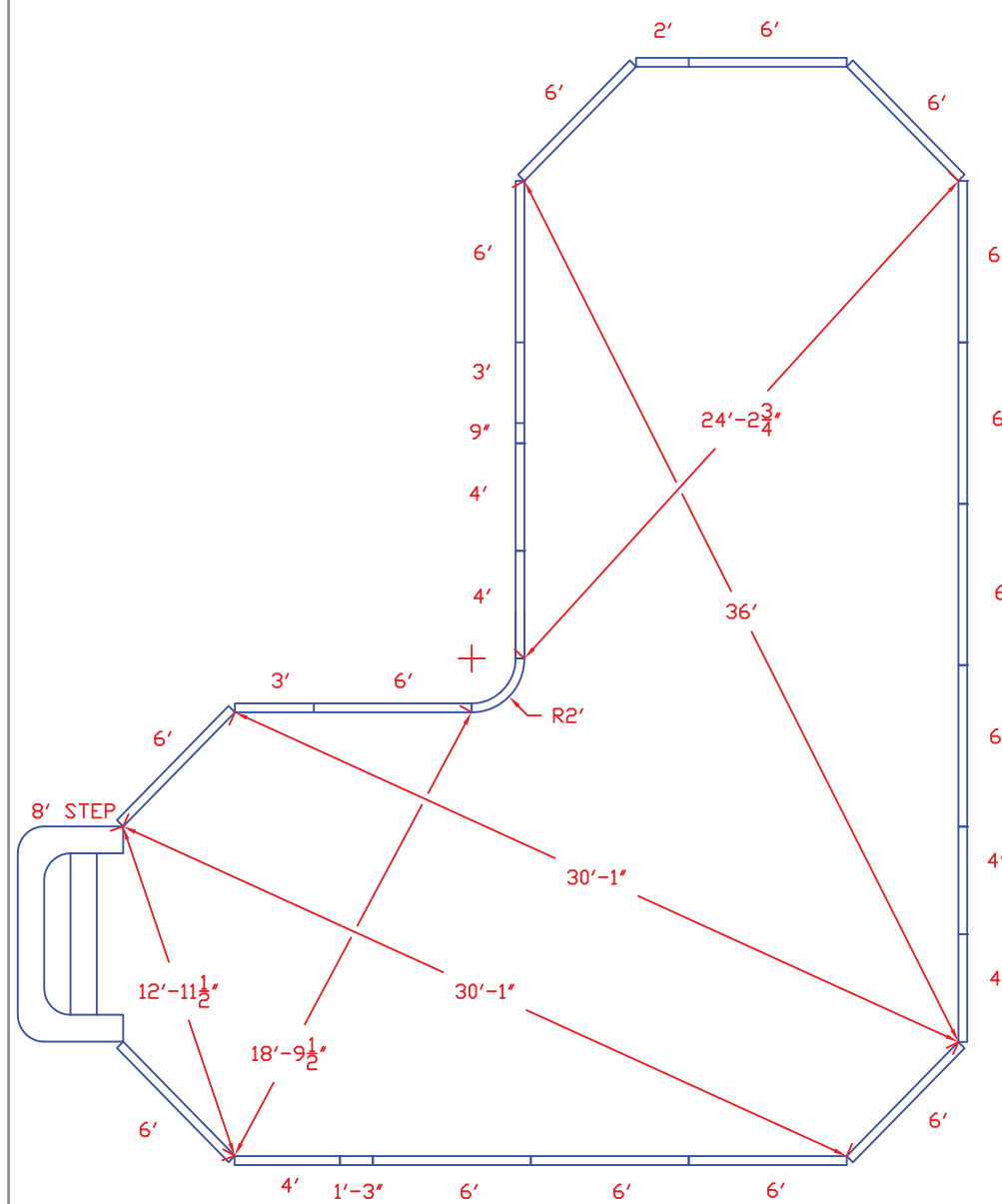
THIS DRAWING IS THE PROPERTY OF POOL BUILDERS SUPPLY AND IS LOANED FOR CONFIDENTIAL USE ONLY, AND SHOULD NOT BE COPIED OR USED FOR ANY PURPOSE DETRIMENTAL TO THE INTEREST OF POOL BUILDERS SUPPLY.

16'-6" X 40'-6" X 23'-9"
 GRECIAN TRUE L RIGHT - POLY

DATE 08/18/09	DRAWN BY JMH	SIZE B	SCALE NTS	DWG NO. 1 OF 1	REV 0
------------------	-----------------	-----------	--------------	-------------------	----------

LIST OF MATERIALS

PART	QUANTITY	PART #
8' STEP	1	PBS-8
6' PLAIN	15	K23030
4' PLAIN	5	K23032
3' PLAIN	2	K23029
2' PLAIN	1	K23028
1'-3" PLAIN	1	K23027
9" PLAIN	1	K23026
2' REV. RADIUS	1	K23037
45° GREC. ANGLE	10	K52GF
BRACE	27	POLY BRACE



GENERAL NOTES:
 This is a Type II pool & Type II diving equipment must be used. Consult diving board manufacturer's specifications.
 This drawing is for illustrative purposes only. Dealer/ builder is an independent contractor and not an agent or employee of Pool Builders Supply. Pool Builders Supply makes no representations other than that which is stated in its written warranty. The customer or Dealer/ Builder is responsible for all construction methods and conforming to all building codes.
 Safety rope must be installed 1ft. from break on shallow side.
 No diving placards must be used in the shallow end.

PERIMETER: 131'-1"
S.A. : 873.40 SQ.FT.
VOLUME: 30,132 GAL.

POOL BUILDERS SUPPLY
 1124 CENTRAL AVE.
 CHARLOTTE, NC
 28204

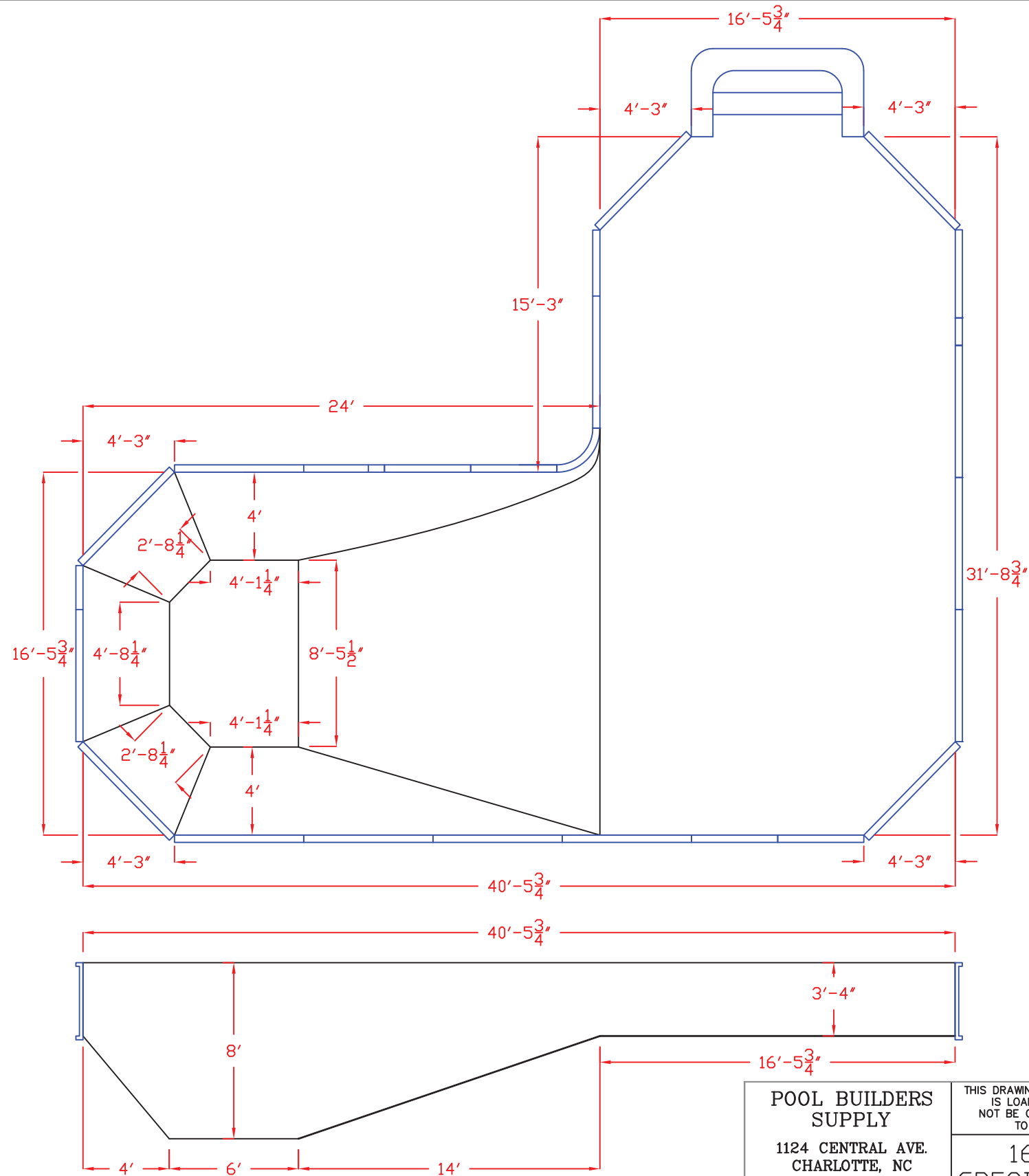
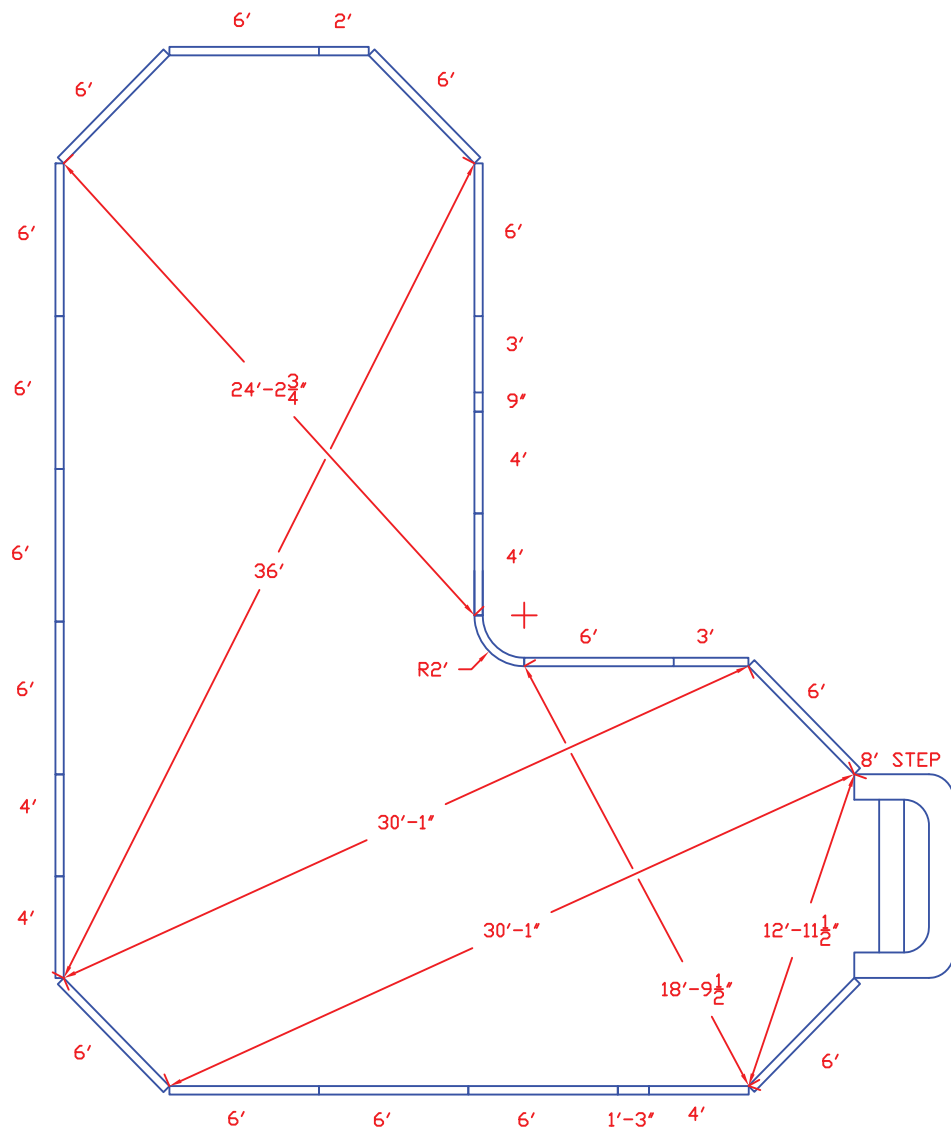
THIS DRAWING IS THE PROPERTY OF POOL BUILDERS SUPPLY AND IS LOANED FOR CONFIDENTIAL USE ONLY, AND SHOULD NOT BE COPIED OR USED FOR ANY PURPOSE DETRIMENTAL TO THE INTEREST OF POOL BUILDERS SUPPLY.

16'-6" X 40'-6" X 31'-9"
 GRECIAN TRUE L LEFT - POLY

DATE 08/18/09	DRAWN BY JMH	SIZE B	SCALE NTS	DWG NO. 1 OF 1	REV 0
------------------	-----------------	-----------	--------------	-------------------	----------

LIST OF MATERIALS

PART	QUANTITY	PART #
8' STEP	1	PBS-8
6' PLAIN	15	K23030
4' PLAIN	5	K23032
3' PLAIN	2	K23029
2' PLAIN	1	K23028
1'-3" PLAIN	1	K23027
9" PLAIN	1	K23026
2' REV. RADIUS	1	K23037
45° GREC. ANGLE	10	K52GF
BRACE	27	POLY BRACE



GENERAL NOTES:
 This is a Type II pool & Type II diving equipment must be used. Consult diving board manufacturer's specifications.

This drawing is for illustrative purposes only. Dealer/ builder is an independent contractor and not an agent or employee of Pool Builders Supply. Pool Builders Supply makes no representations other than that which is stated in its written warranty. The customer or Dealer/ Builder is responsible for all construction methods and conforming to all building codes.

Safety rope must be installed 1ft. from break on shallow side.

No diving placards must be used in the shallow end.

PERIMETER: 131'-1"
S.A. : 873.40 SQ.FT.
VOLUME: 30,132 GAL.

POOL BUILDERS SUPPLY
 1124 CENTRAL AVE.
 CHARLOTTE, NC
 28204

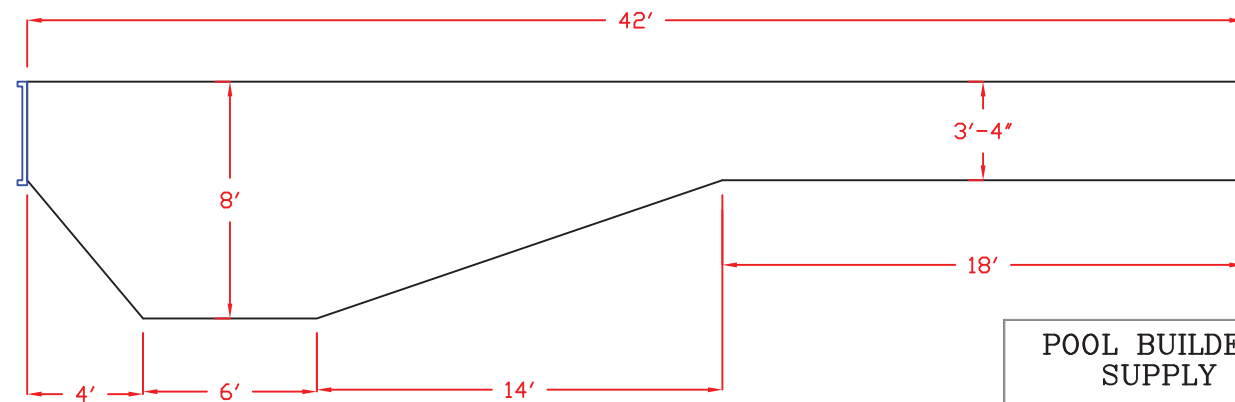
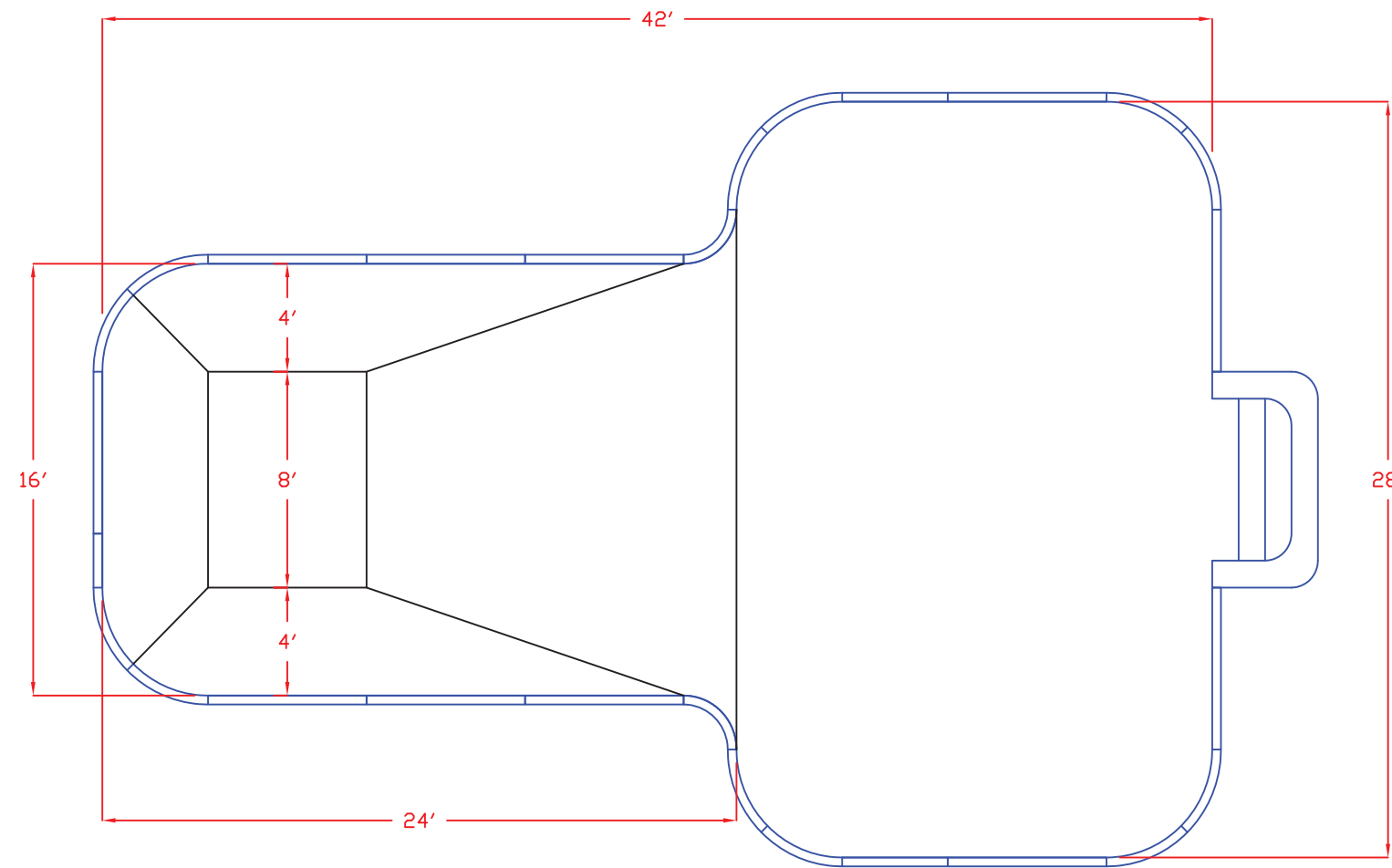
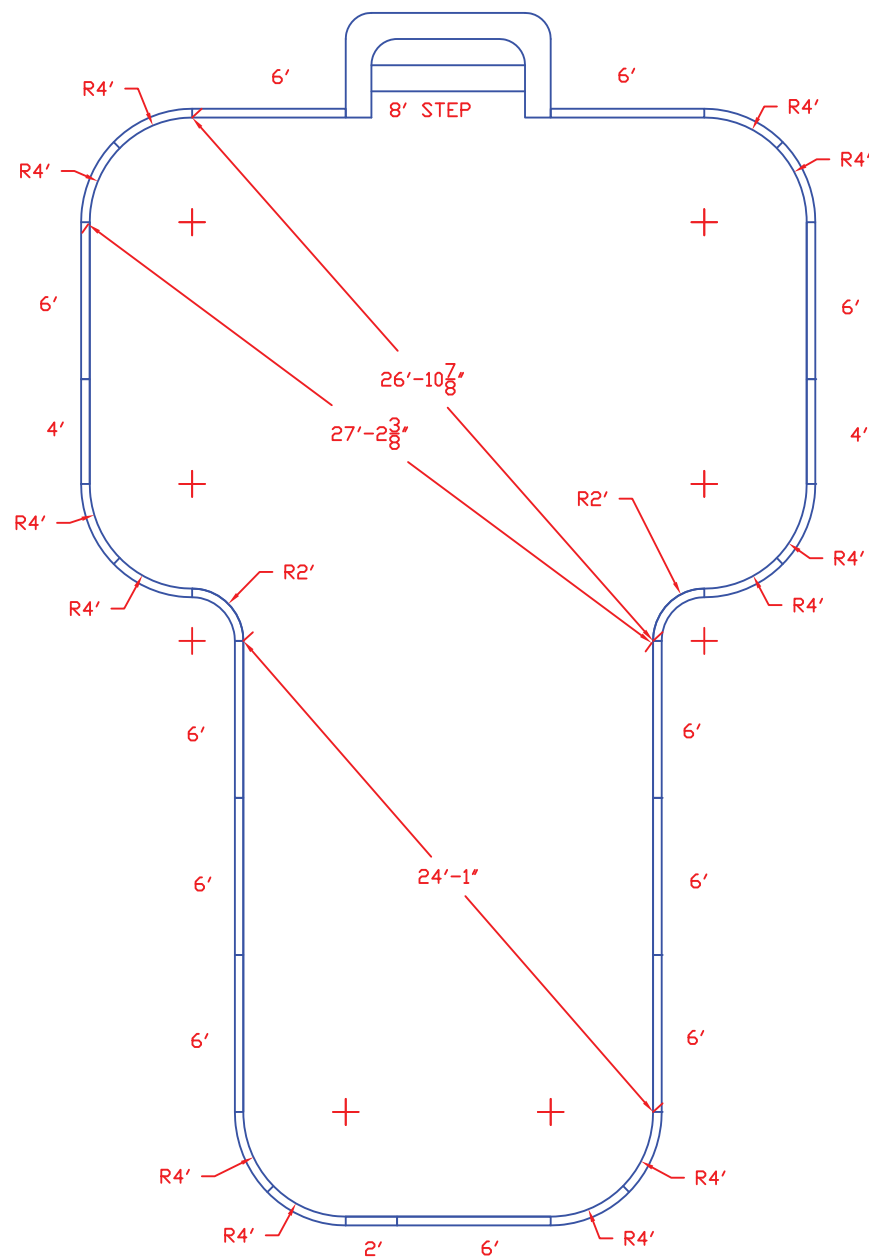
THIS DRAWING IS THE PROPERTY OF POOL BUILDERS SUPPLY AND IS LOANED FOR CONFIDENTIAL USE ONLY, AND SHOULD NOT BE COPIED OR USED FOR ANY PURPOSE DETRIMENTAL TO THE INTEREST OF POOL BUILDERS SUPPLY.

16'-6" X 40'-6 X 31'-9"
 GRECIAN TRUE L RIGHT - POLY

DATE 08/18/09	DRAWN BY JMH	SIZE B	SCALE NTS	DWG NO. 1 OF 1	REV 0
------------------	-----------------	-----------	--------------	-------------------	----------

LIST OF MATERIALS

PART	QUANTITY	PART #
8' STEP	1	PBS-8
6' PLAIN	11	K23030
4' PLAIN	2	K23032
2' PLAIN	1	K23028
4' RADIUS	12	K23031
2' REV. RADIUS	2	K23037
BRACE	23	POLY BRACE



GENERAL NOTES:
This is a Type II pool & Type II diving equipment must be used. Consult diving board manufacturer's specifications.

This drawing is for illustrative purposes only. Dealer/ builder is an independent contractor and not an agent or employee of Pool Builders Supply. Pool Builders Supply makes no representations other than that which is stated in its written warranty. The customer or Dealer/ Builder is responsible for all construction methods and conforming to all building codes.

Safety rope must be installed 1ft. from break on shallow side.

No diving placards must be used in the shallow end.

PERIMETER: 128'-0"

S.A. : 869.16 SQ.FT.

VOLUME: 25,103 GAL.

**POOL BUILDERS
SUPPLY**

1124 CENTRAL AVE.
CHARLOTTE, NC
28204

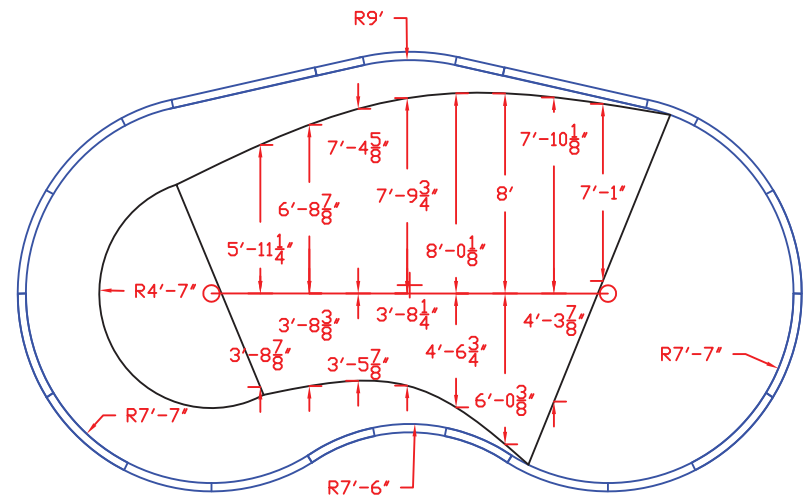
THIS DRAWING IS THE PROPERTY OF POOL BUILDERS SUPPLY AND IS LOANED FOR CONFIDENTIAL USE ONLY, AND SHOULD NOT BE COPIED OR USED FOR ANY PURPOSE DETRIMENTAL TO THE INTEREST OF POOL BUILDERS SUPPLY.

16' X 28' X 42' W/ 4'R
TEE - POLY

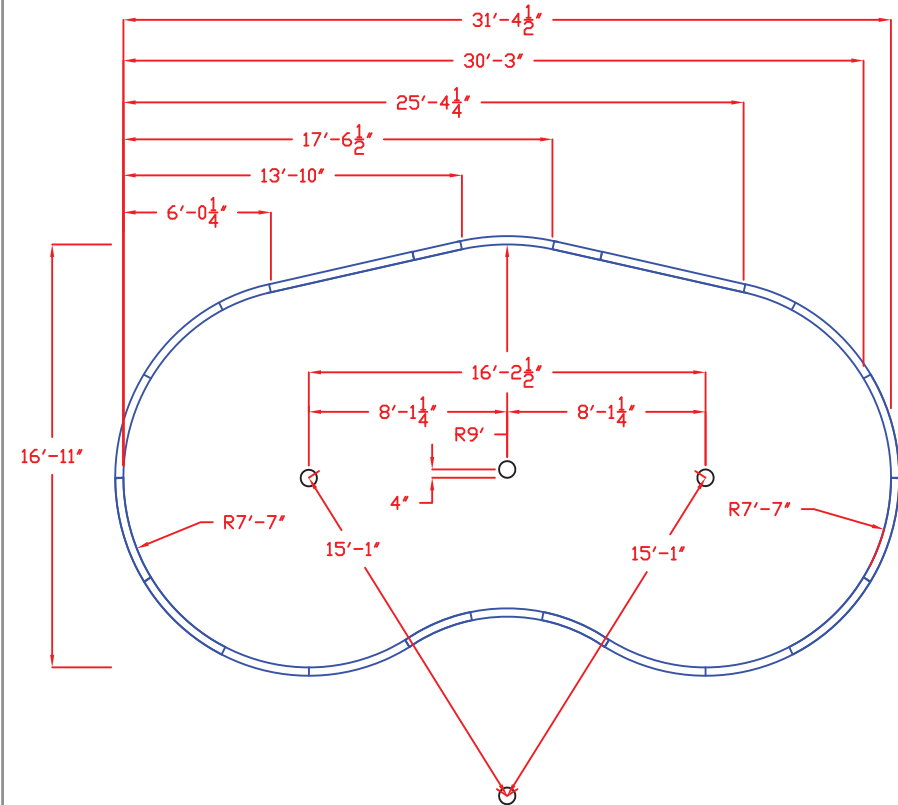
DATE	DRAWN BY	SIZE	SCALE	DWG NO.	REV
08/18/09	JMH	B	NTS	1 of 1	0

LIST OF MATERIALS

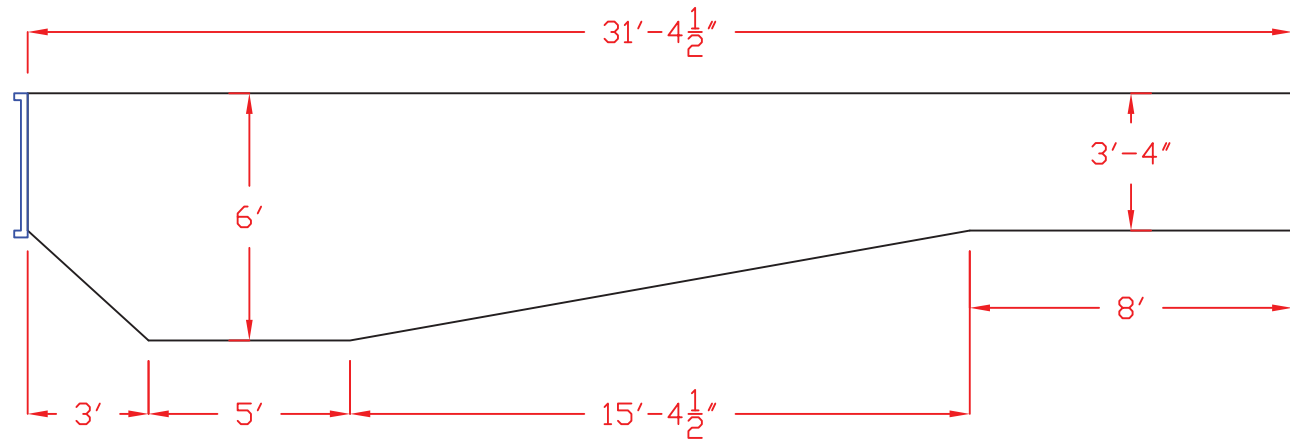
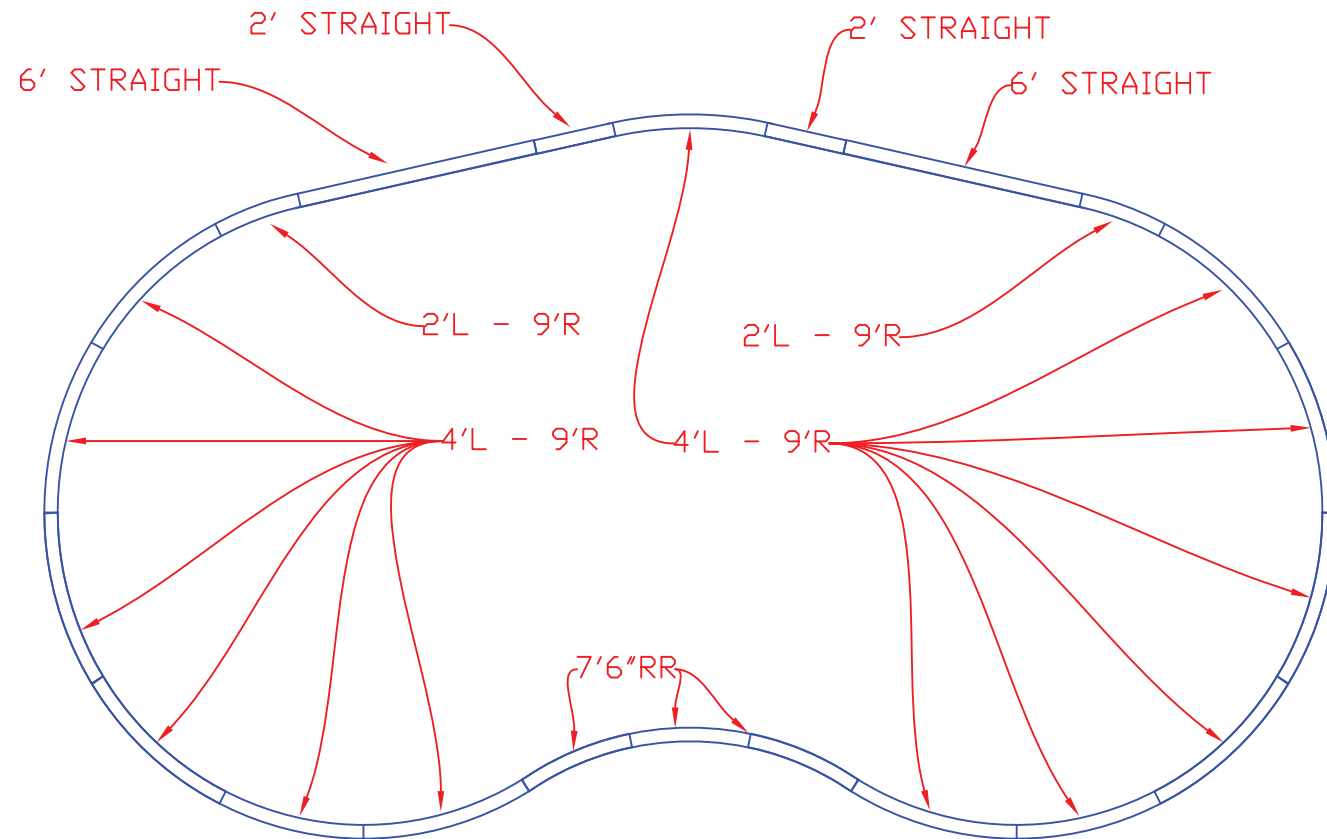
PART	QUANTITY	PART #
6' PLAIN	2	K23030
2' PLAIN	2	K23028
4'L - 9'R	13	K23034
2'L - 9'R	2	K23034-2
3'L - 7'6"RR	3	K23035
BRACE	22	POLY BRACE
5 DEG. WEDGE	16	5DEG WEDGE



DIMENSIONS GIVEN EVERY 2 FT.



USE 5 DEGREE WEDGE AT ALL 9R RADIUS JOINTS



GENERAL NOTES:
This is a Type 0 pool & NO DIVING IS ALLOWED!.

This drawing is for illustrative purposes only. Dealer/ builder is an independent contractor and not an agent or employee of Pool Builders Supply. Pool Builders Supply makes no representations other than that which is stated in its written warranty. The customer or Dealer/ Builder is responsible for all construction methods and conforming to all building codes.

Safety rope must be installed 1ft. from break on shallow side.

No diving placards must be used in the shallow end.

PERIMETER: 81'-4"

S.A. : 424.66 SQ.FT.

VOLUME: 14,866 GAL.

**POOL BUILDERS
SUPPLY**

1124 CENTRAL AVE.
CHARLOTTE, NC
28204

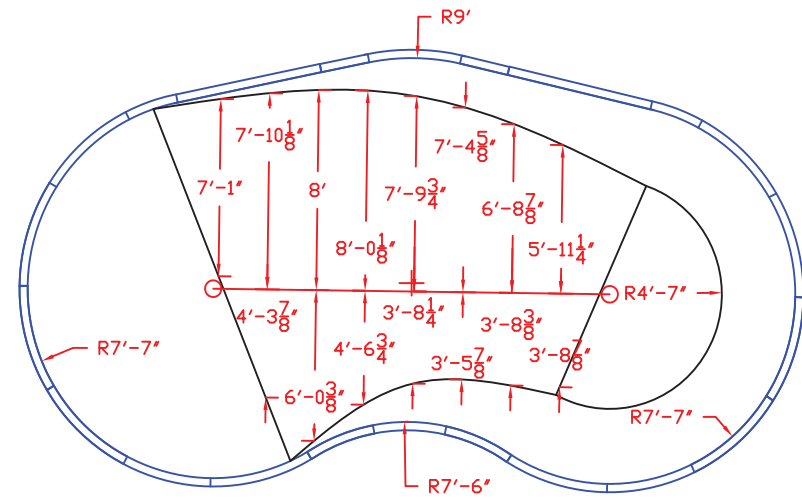
THIS DRAWING IS THE PROPERTY OF POOL BUILDERS SUPPLY AND IS LOANED FOR CONFIDENTIAL USE ONLY, AND SHOULD NOT BE COPIED OR USED FOR ANY PURPOSE DETRIMENTAL TO THE INTEREST OF POOL BUILDERS SUPPLY.

16'-11" X 31'-4" SYMMETRICAL
KIDNEY LEFT - POLY

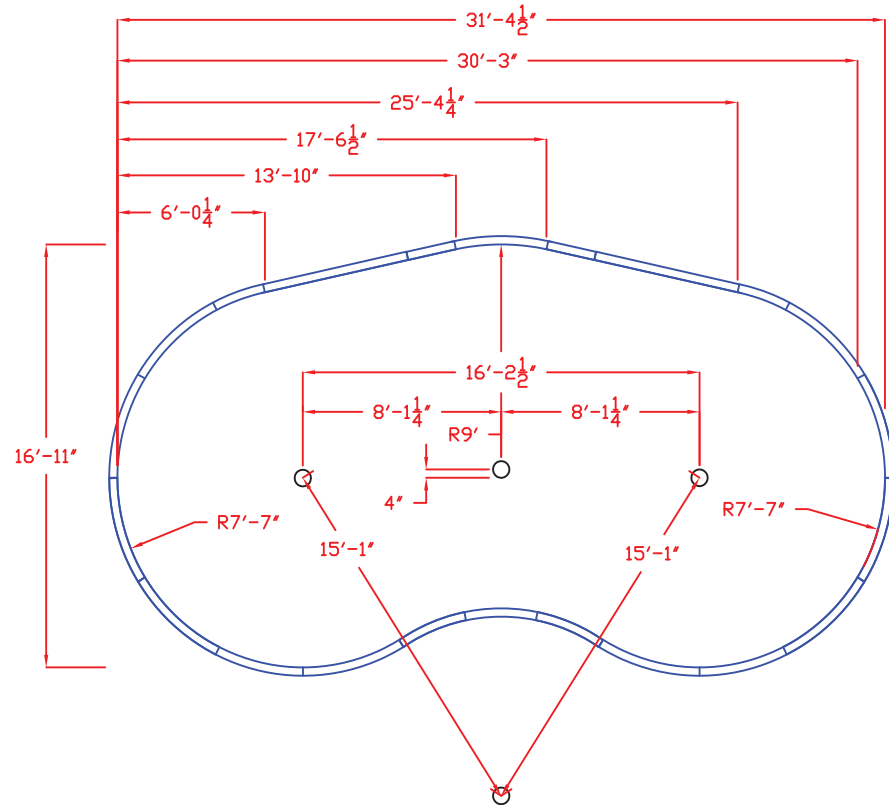
DATE	DRAWN BY	SIZE	SCALE	DWG NO.	REV
01/22/10	JMH	B	NTS	1 of 1	0

LIST OF MATERIALS

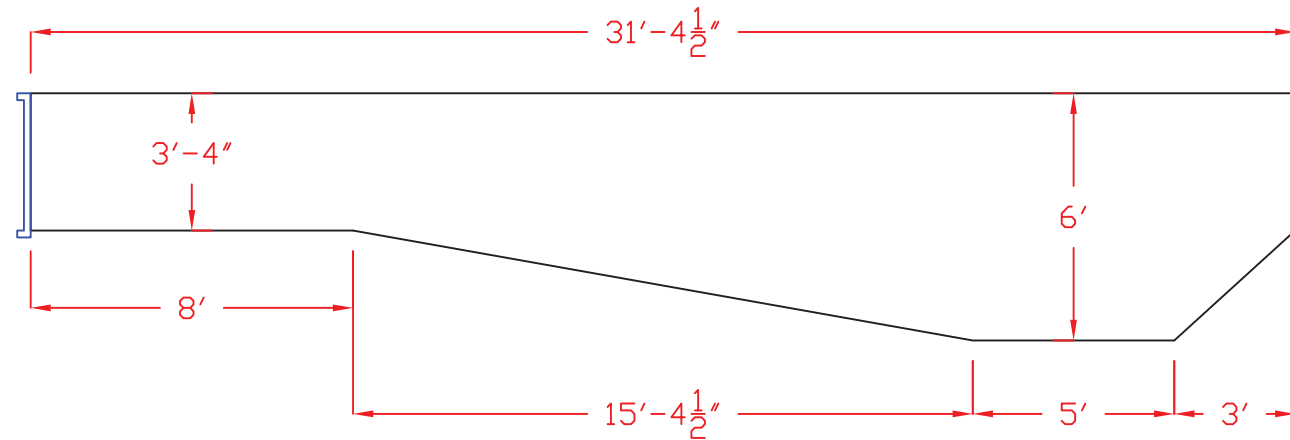
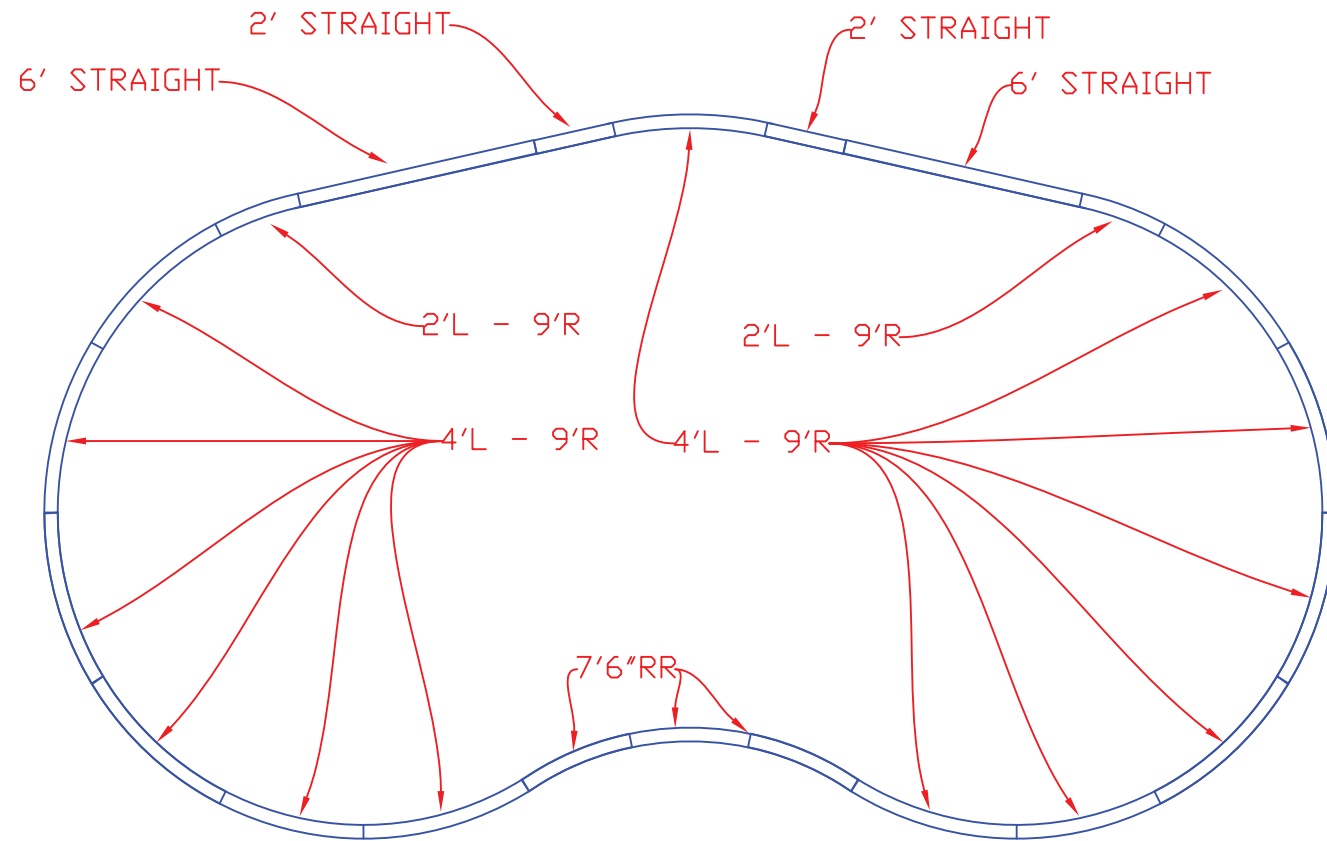
PART	QUANTITY	PART #
6' PLAIN	2	K23030
2' PLAIN	2	K23028
4'L - 9'R	13	K23034
2'L - 9'R	2	K23034-2
3'L - 7'6"RR	3	K23035
BRACE	21	POLY BRACE
5 DEG. WEDGE	16	5 DEG. WEDGE



DIMENSIONS GIVEN EVERY 2 FT.



USE 5 DEGREE WEDGE AT ALL 9R RADIUS JOINTS



GENERAL NOTES:
This is a Type 0 pool & NO DIVING IS ALLOWED!.

This drawing is for illustrative purposes only. Dealer/ builder is an independent contractor and not an agent or employee of Pool Builders Supply. Pool Builders Supply makes no representations other than that which is stated in its written warranty. The customer or Dealer/ Builder is responsible for all construction methods and conforming to all building codes.

Safety rope must be installed 1ft. from break on shallow side.

No diving placards must be used in the shallow end.

PERIMETER: 81'-4"

S.A.: 424.66 SQ.FT.

VOLUME: 14,866 GAL.

**POOL BUILDERS
SUPPLY**

1124 CENTRAL AVE.
CHARLOTTE, NC
28204

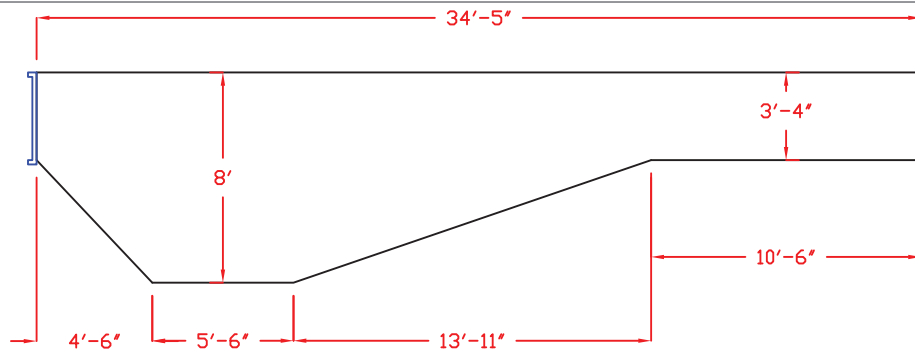
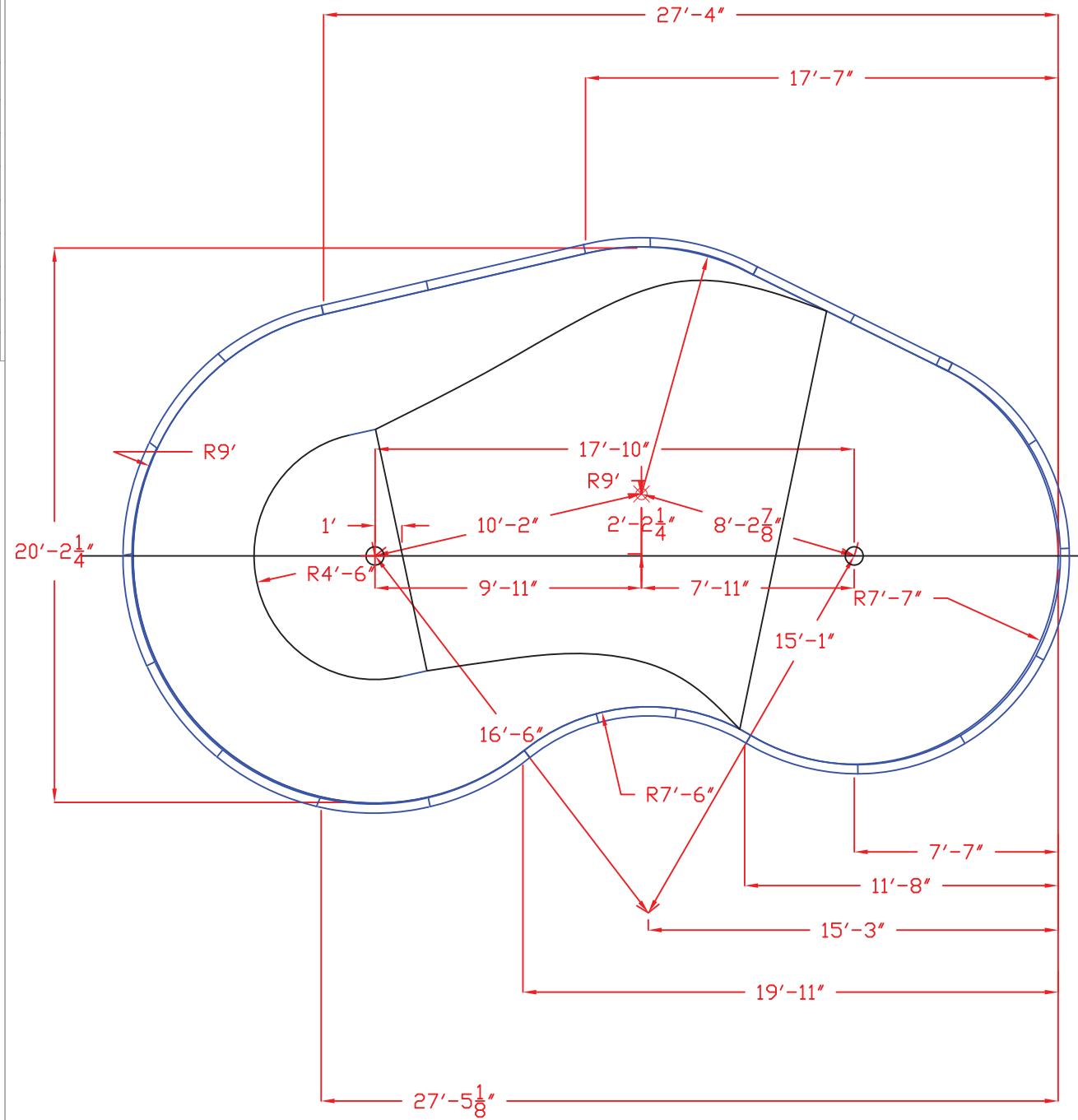
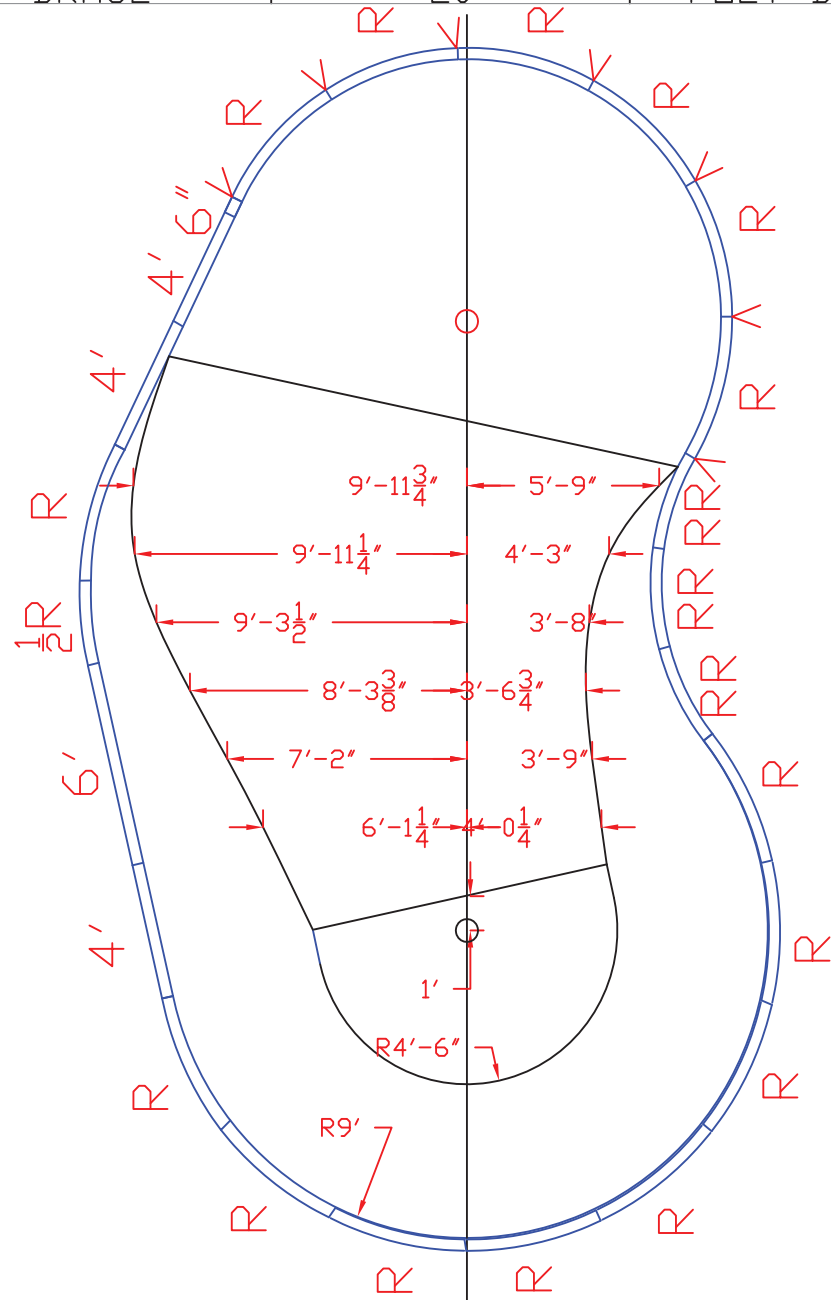
THIS DRAWING IS THE PROPERTY OF POOL BUILDERS SUPPLY AND IS LOANED FOR CONFIDENTIAL USE ONLY, AND SHOULD NOT BE COPIED OR USED FOR ANY PURPOSE DETRIMENTAL TO THE INTEREST OF POOL BUILDERS SUPPLY.

16'-11" X 31'-4" SYMMETRICAL
KIDNEY RIGHT - POLY

DATE	DRAWN BY	SIZE	SCALE	DWG NO.	REV
01/22/10	JMH	B	NTS	1 of 1	0

LIST OF MATERIALS

PART	QUANTITY	PART #
4'L - 9'R	15	R - K23034
7'-6" REV. R	3	RR - K23035
2'L - 9'R	1	$\frac{1}{2}$ R - K23034-2
6' PLAIN	1	6' - K23030
4' PLAIN	3	4' - K23032
6" PLAIN	1	6" - K23025
5 DEG. WEDGE	7	5 DEG WEDGE
BRACE	20	POLY BRACE



GENERAL NOTES:
 This is a Type II pool & Type II diving equipment must be used. Consult diving board manufacturer's specifications.

This drawing is for illustrative purposes only. Dealer/ builder is an independent contractor and not an agent or employee of Pool Builders Supply. Pool Builders Supply makes no representations other than that which is stated in its written warranty. The customer or Dealer/ Builder is responsible for all construction methods and conforming to all building codes.

Safety rope must be installed 1ft. from break on shallow side.

No diving placards must be used in the shallow end.

PERIMETER: 90'-3"
S.A. : 527.54 SQ.FT.
VOLUME: 22,580 GAL.

**POOL BUILDERS
SUPPLY**
 1124 CENTRAL AVE.
 CHARLOTTE, NC
 28204

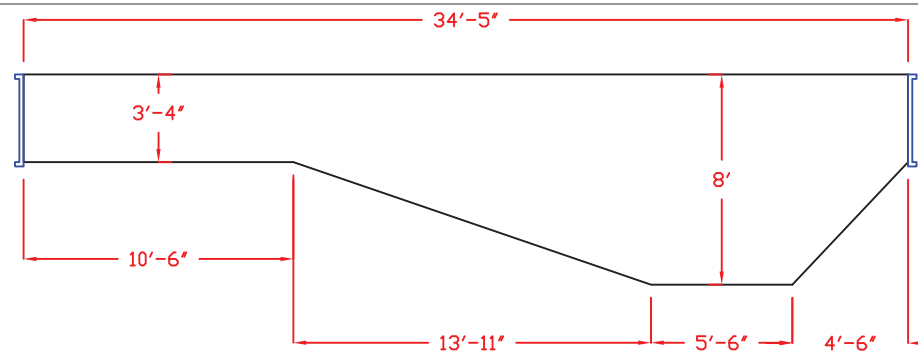
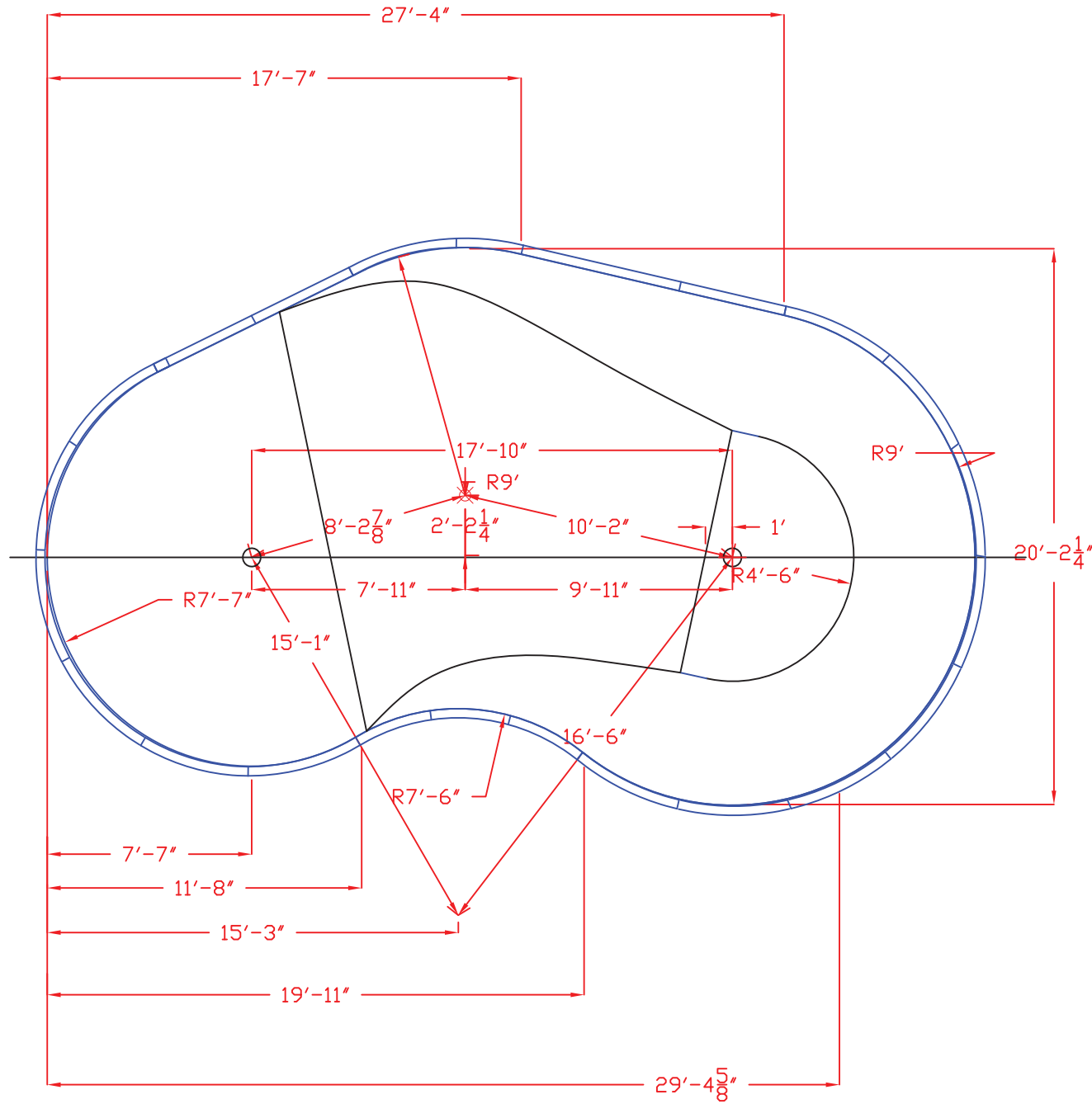
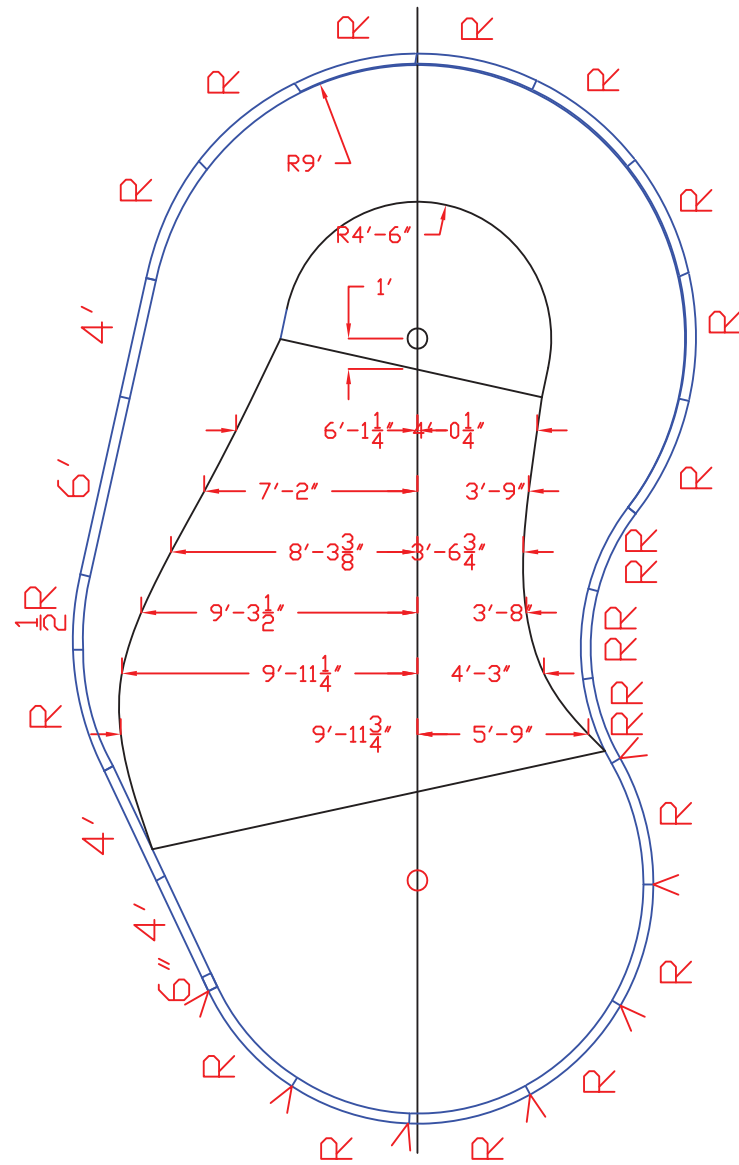
THIS DRAWING IS THE PROPERTY OF POOL BUILDERS SUPPLY AND IS LOANED FOR CONFIDENTIAL USE ONLY, AND SHOULD NOT BE COPIED OR USED FOR ANY PURPOSE DETRIMENTAL TO THE INTEREST OF POOL BUILDERS SUPPLY.

20' x 34' KIDNEY LEFT - POLY

DATE 1/4/09	DRAWN BY JMH	SIZE B	SCALE NTS	DWG NO. 1 of 1	REV 0
----------------	-----------------	-----------	--------------	-------------------	----------

LIST OF MATERIALS

PART	QUANTITY	PART #
4'L - 9'R	15	R - K23034
7'-6" REV. R	3	RR - K23035
2'L - 9'R	1	$\frac{1}{2}$ R - K23034-2
6' PLAIN	1	6' - K23030
4' PLAIN	3	4' - K23032
6" PLAIN	1	6" - K23025
5 DEG. WEDGE	7	5 DEG WEDGE
BRACE	20	POLY BRACE



GENERAL NOTES:
 This is a Type II pool & Type II diving equipment must be used. Consult diving board manufacturer's specifications.

This drawing is for illustrative purposes only. Dealer/ builder is an independent contractor and not an agent or employee of Pool Builders Supply. Pool Builders Supply makes no representations other than that which is stated in its written warranty. The customer or Dealer/ Builder is responsible for all construction methods and conforming to all building codes.

Safety rope must be installed 1ft. from break on shallow side.

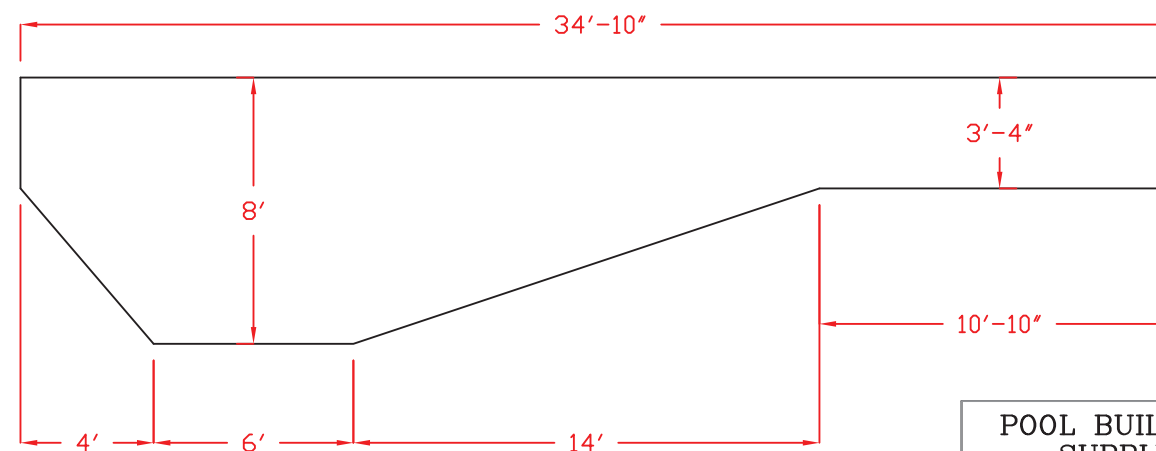
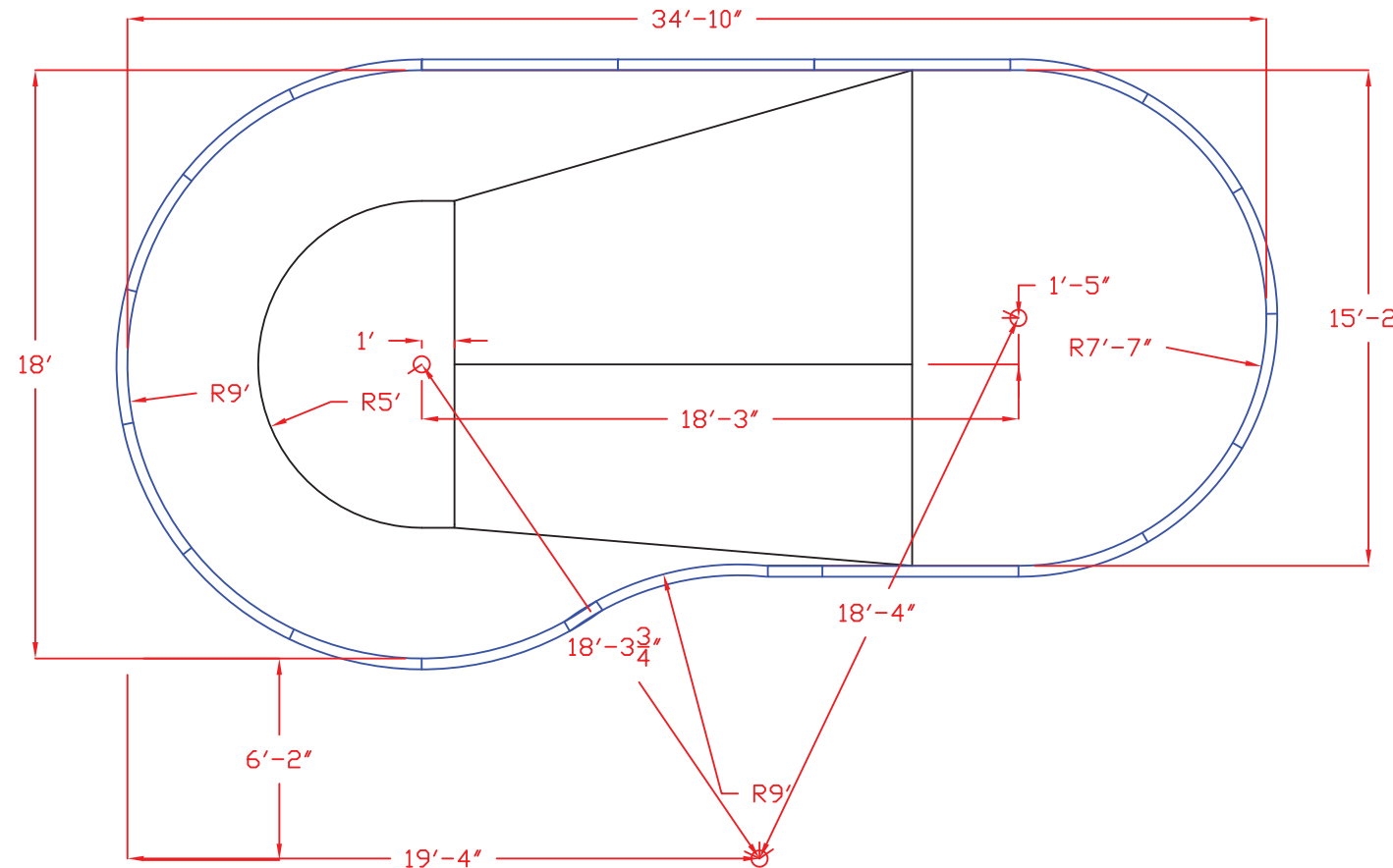
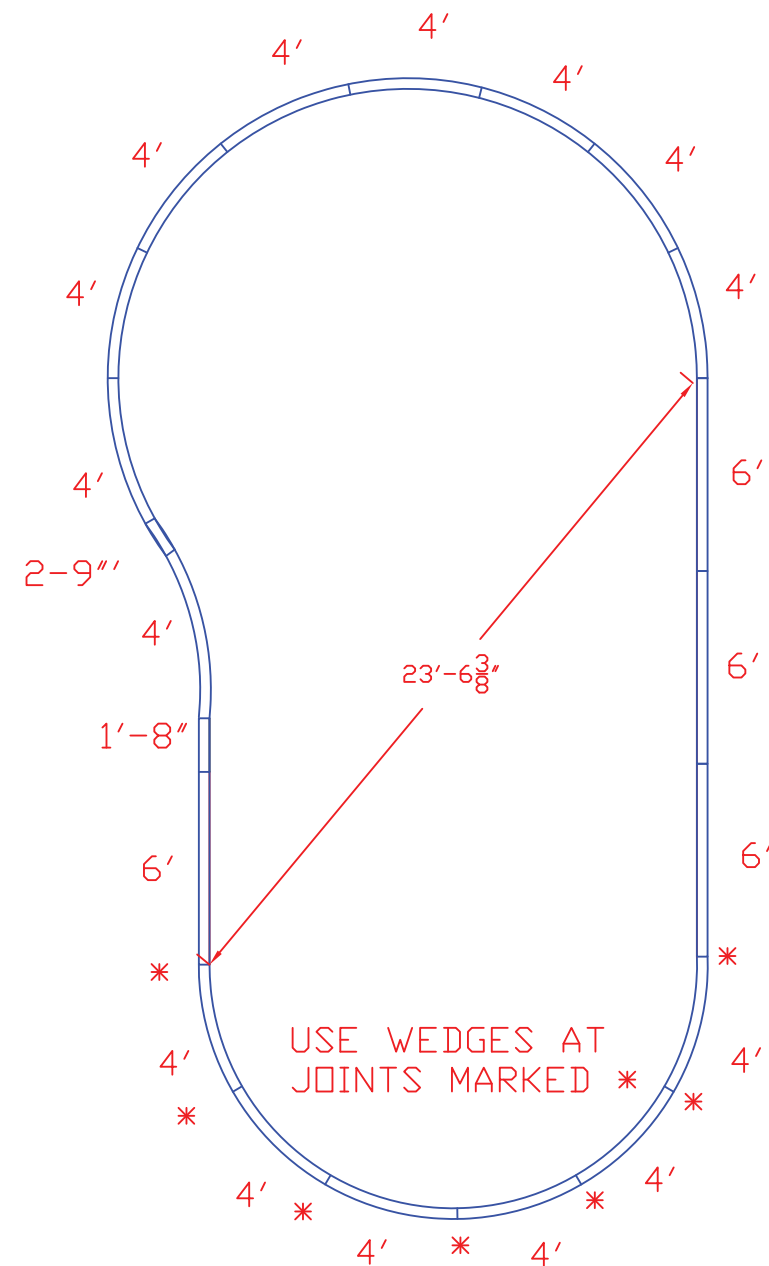
No diving placards must be used in the shallow end.

PERIMETER: 90'-3"
S.A. : 527.54 SQ.FT.
VOLUME: 22,580 GAL.

POOL BUILDERS SUPPLY		THIS DRAWING IS THE PROPERTY OF POOL BUILDERS SUPPLY AND IS LOANED FOR CONFIDENTIAL USE ONLY, AND SHOULD NOT BE COPIED OR USED FOR ANY PURPOSE DETRIMENTAL TO THE INTEREST OF POOL BUILDERS SUPPLY.	
1124 CENTRAL AVE. CHARLOTTE, NC 28204		20' x 34' KIDNEY RIGHT - POLY	
DATE	DRAWN BY	SIZE	SCALE
1/4/09	JMH	B	NTS
DWG NO.		REV	
1 of 1		0	

LIST OF MATERIALS

PART	QUANTITY	PART #
4'L - 9'R	14	K23034
4'L - 9'RR	1	K23061
6' PLAIN	4	K23030
2'-9" PLAIN	1	*
1'-8" PLAIN	1	*
BRACE	22	POLY BRACE
5 DEG. WEDGE	7	5DEGWEDGE



GENERAL NOTES:
This is a Type II pool & Type II diving equipment must be used. Consult diving board manufacturer's specifications.

This drawing is for illustrative purposes only. Dealer/ builder is an independent contractor and not an agent or employee of Pool Builders Supply. Pool Builders Supply makes no representations other than that which is stated in its written warranty. The customer or Dealer/ Builder is responsible for all construction methods and conforming to all building codes.

Safety rope must be installed 1ft. from break on shallow side.

No diving placards must be used in the shallow end.

PERIMETER: 89'-3"

S.A. : 507.74 SQ.FT.

VOLUME: 17,517 GAL.

**POOL BUILDERS
SUPPLY**

1124 CENTRAL AVE.
CHARLOTTE, NC
28204

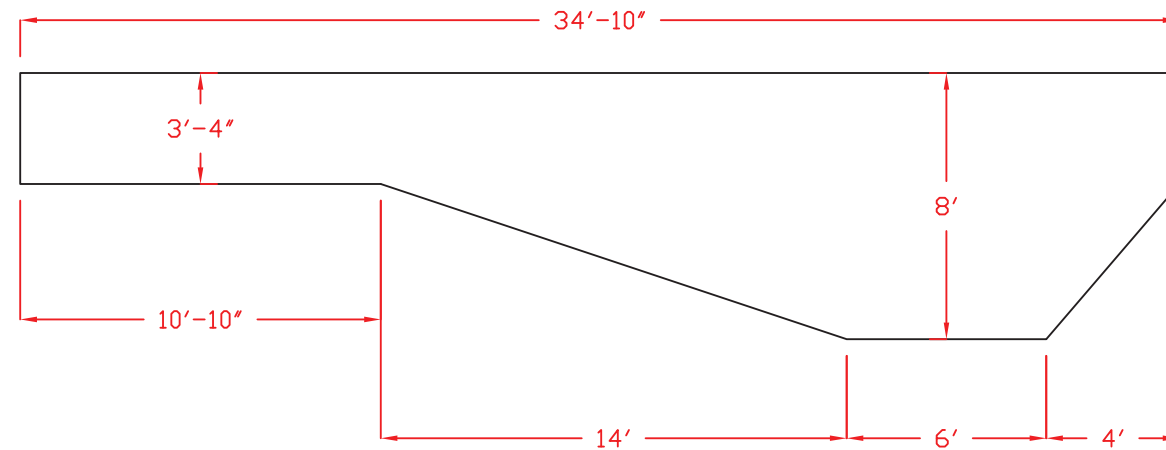
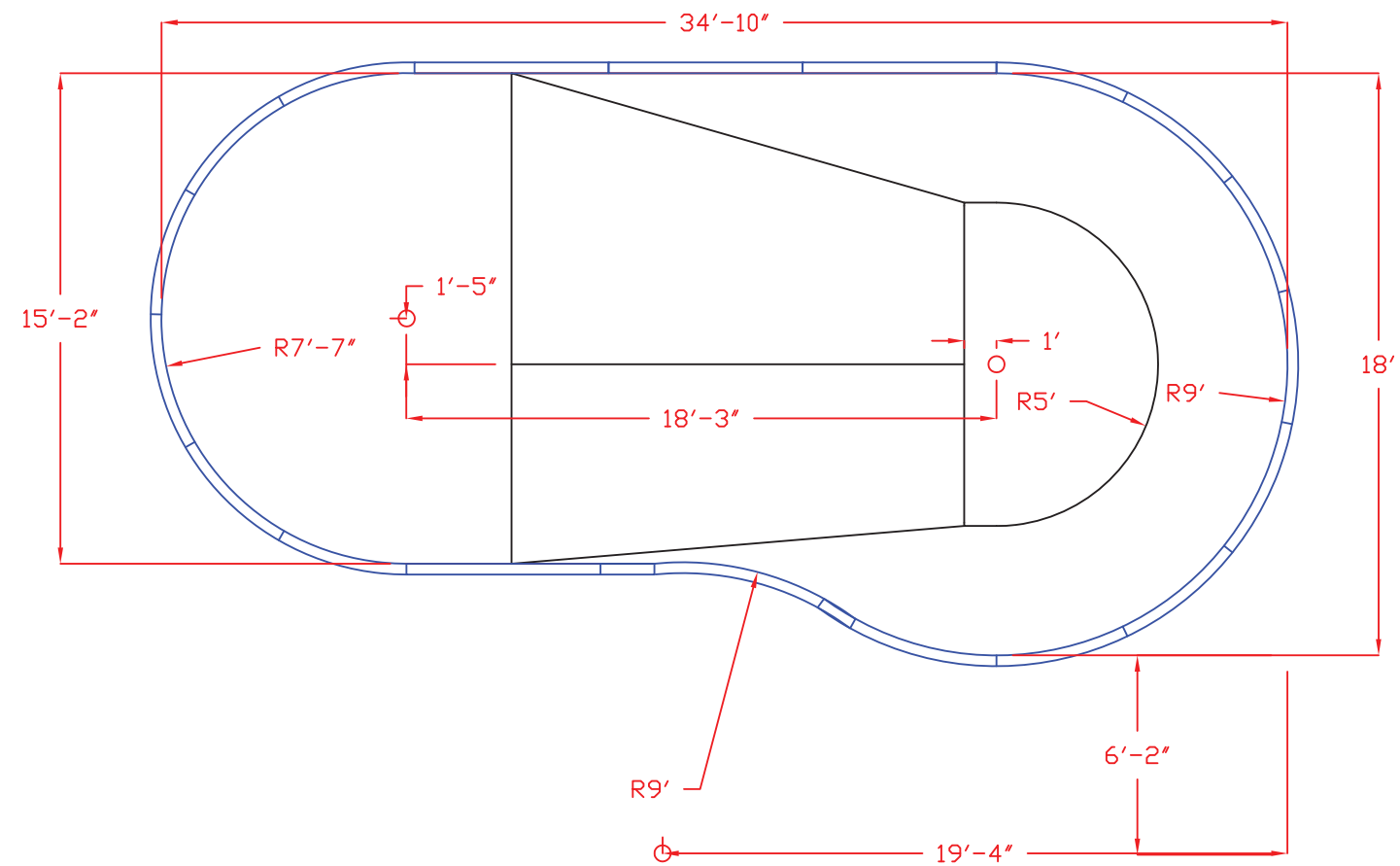
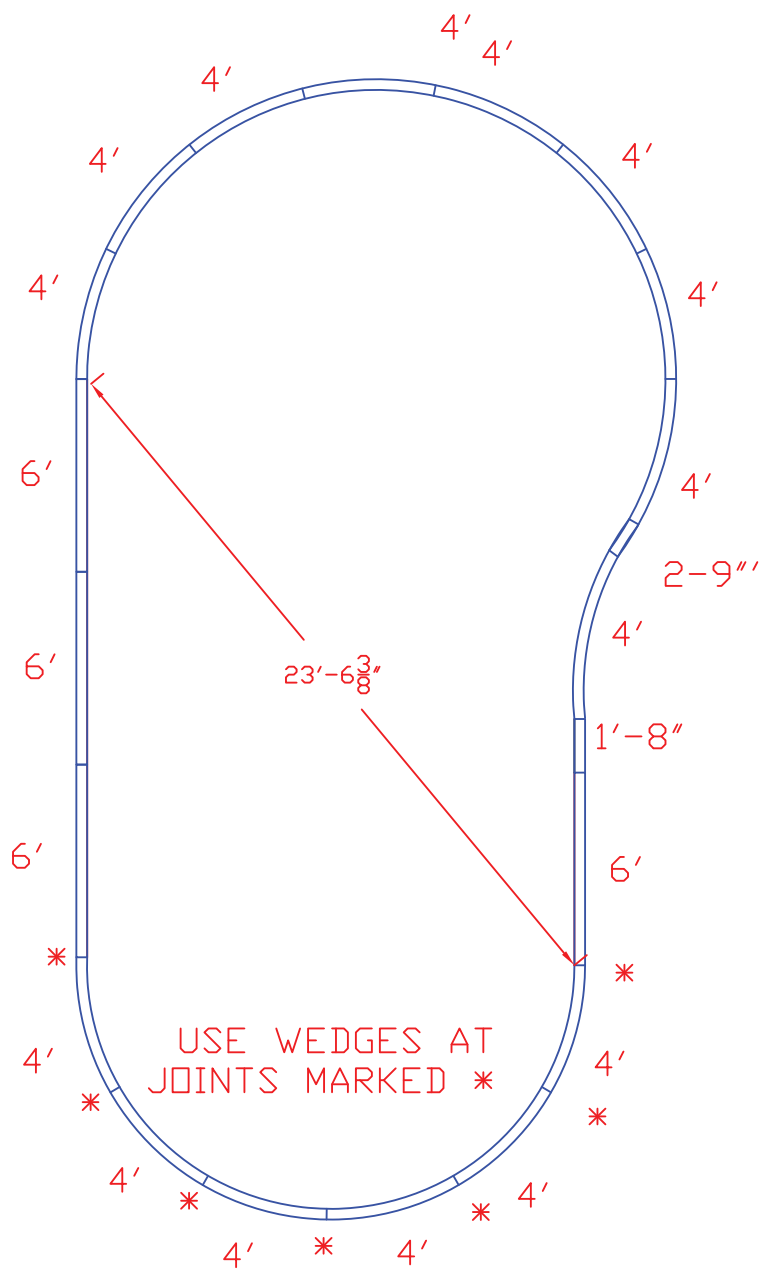
THIS DRAWING IS THE PROPERTY OF POOL BUILDERS SUPPLY AND IS LOANED FOR CONFIDENTIAL USE ONLY, AND SHOULD NOT BE COPIED OR USED FOR ANY PURPOSE DETRIMENTAL TO THE INTEREST OF POOL BUILDERS SUPPLY.

18' X 35' SS KIDNEY
LEFT - POLY

DATE	DRAWN BY	SIZE	SCALE	DWG NO.	REV
10/13/08	JMH	B	NTS	1 of 1	0

LIST OF MATERIALS

PART	QUANTITY	PART #
4'L - 9'R	14	K23034
4'L - 9'RR	1	K23061
6' PLAIN	4	K23030
2'-9" PLAIN	1	*
1'-8" PLAIN	1	*
BRACE	22	POLY BRACE
5 DEG. WEDGE	7	5DEGWEDGE



GENERAL NOTES:

This is a Type II pool & Type II diving equipment must be used. Consult diving board manufacturer's specifications.

This drawing is for illustrative purposes only. Dealer/ builder is an independent contractor and not an agent or employee of Pool Builders Supply. Pool Builders Supply makes no representations other than that which is stated in its written warranty. The customer or Dealer/ Builder is responsible for all construction methods and conforming to all building codes.

Safety rope must be installed 1ft. from break on shallow side.

No diving placards must be used in the shallow end.

PERIMETER: 89'-3"

S.A. : 751.69 SQ.FT.

VOLUME: GAL.

**POOL BUILDERS
SUPPLY**

1124 CENTRAL AVE.
CHARLOTTE, NC
28204

THIS DRAWING IS THE PROPERTY OF POOL BUILDERS SUPPLY AND IS LOANED FOR CONFIDENTIAL USE ONLY, AND SHOULD NOT BE COPIED OR USED FOR ANY PURPOSE DETRIMENTAL TO THE INTEREST OF POOL BUILDERS SUPPLY.

18' X 35' SS KIDNEY
RIGHT - POLY

DATE
10/13/08

DRAWN BY
JMH

SIZE
B

SCALE
NTS

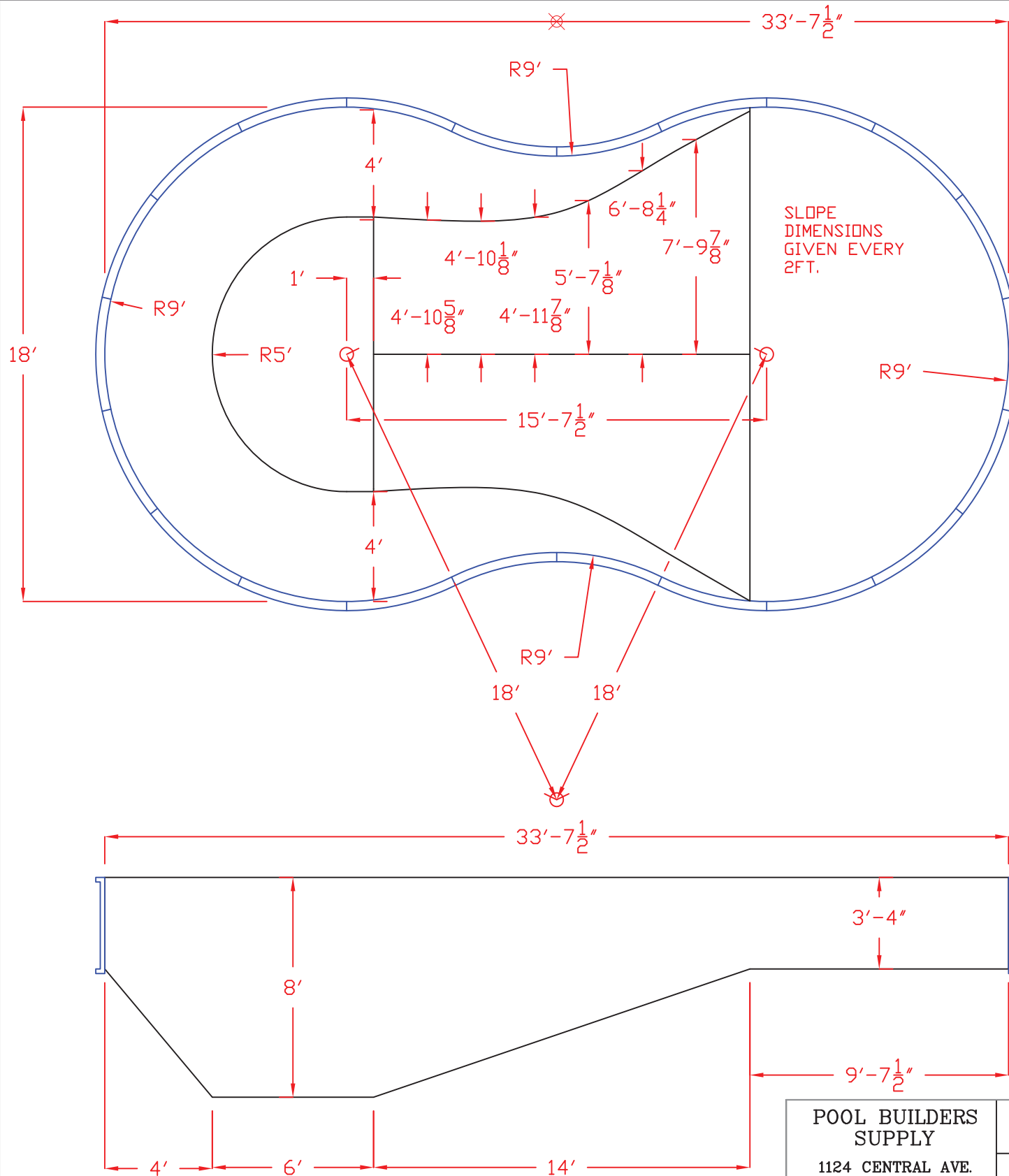
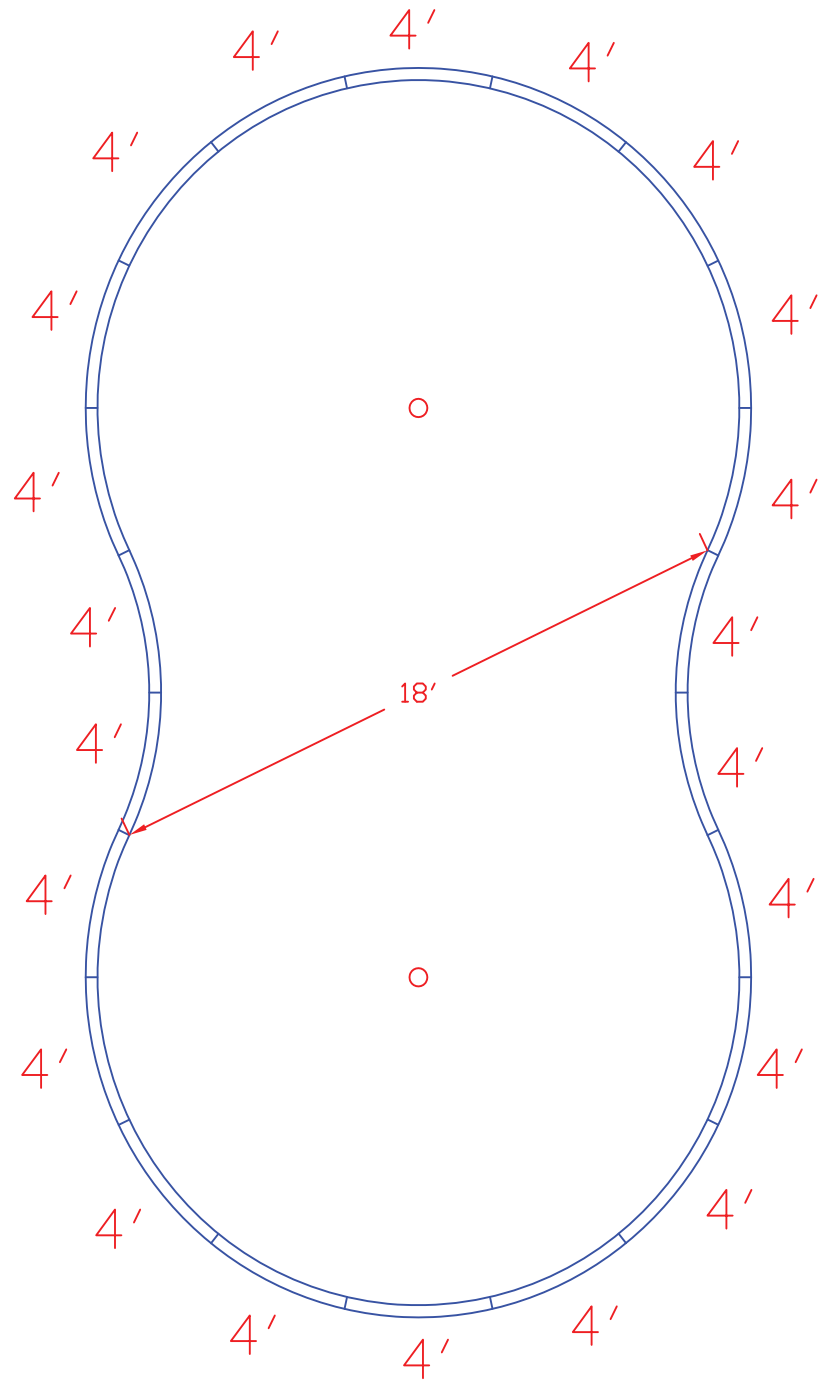
DWG NO.

1 of 1

REV
0

LIST OF MATERIALS

PART	QUANTITY	PART #
4'L - 9'R	18	K23034
4'L - 9'RR	4	K23061
BRACE	22	POLY BRACE



GENERAL NOTES:
 This is a Type II pool & Type II diving equipment must be used. Consult diving board manufacturer's specifications.

This drawing is for illustrative purposes only. Dealer/ builder is an independent contractor and not an agent or employee of Pool Builders Supply. Pool Builders Supply makes no representations other than that which is stated in its written warranty. The customer or Dealer/ Builder is responsible for all construction methods and conforming to all building codes.

Safety rope must be installed 1ft. from break on shallow side.

No diving placards must be used in the shallow end.

PERIMETER: 88'-11"
S.A. : 507.85 SQ.FT.
VOLUME: 25,103 GAL.

POOL BUILDERS SUPPLY
 1124 CENTRAL AVE.
 CHARLOTTE, NC
 28204

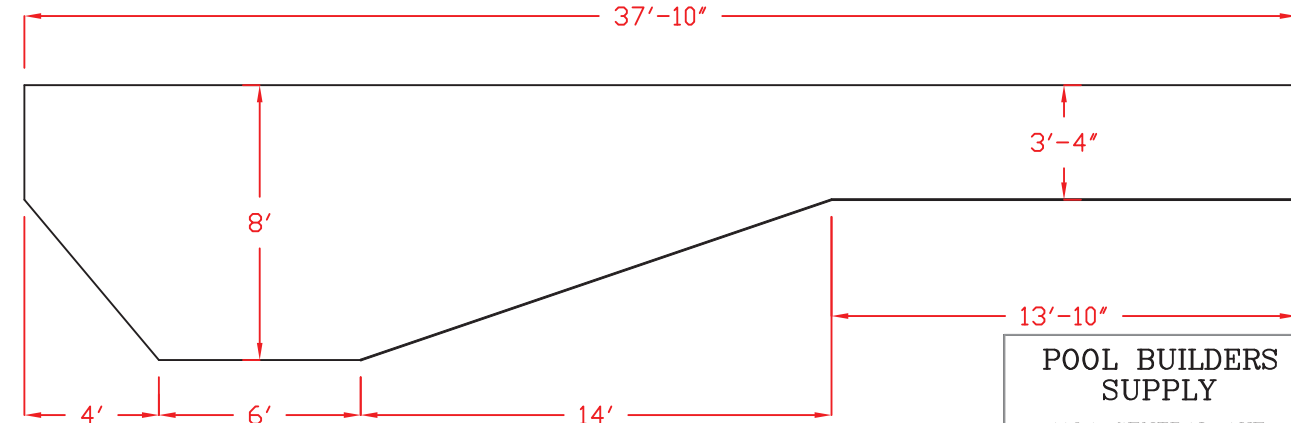
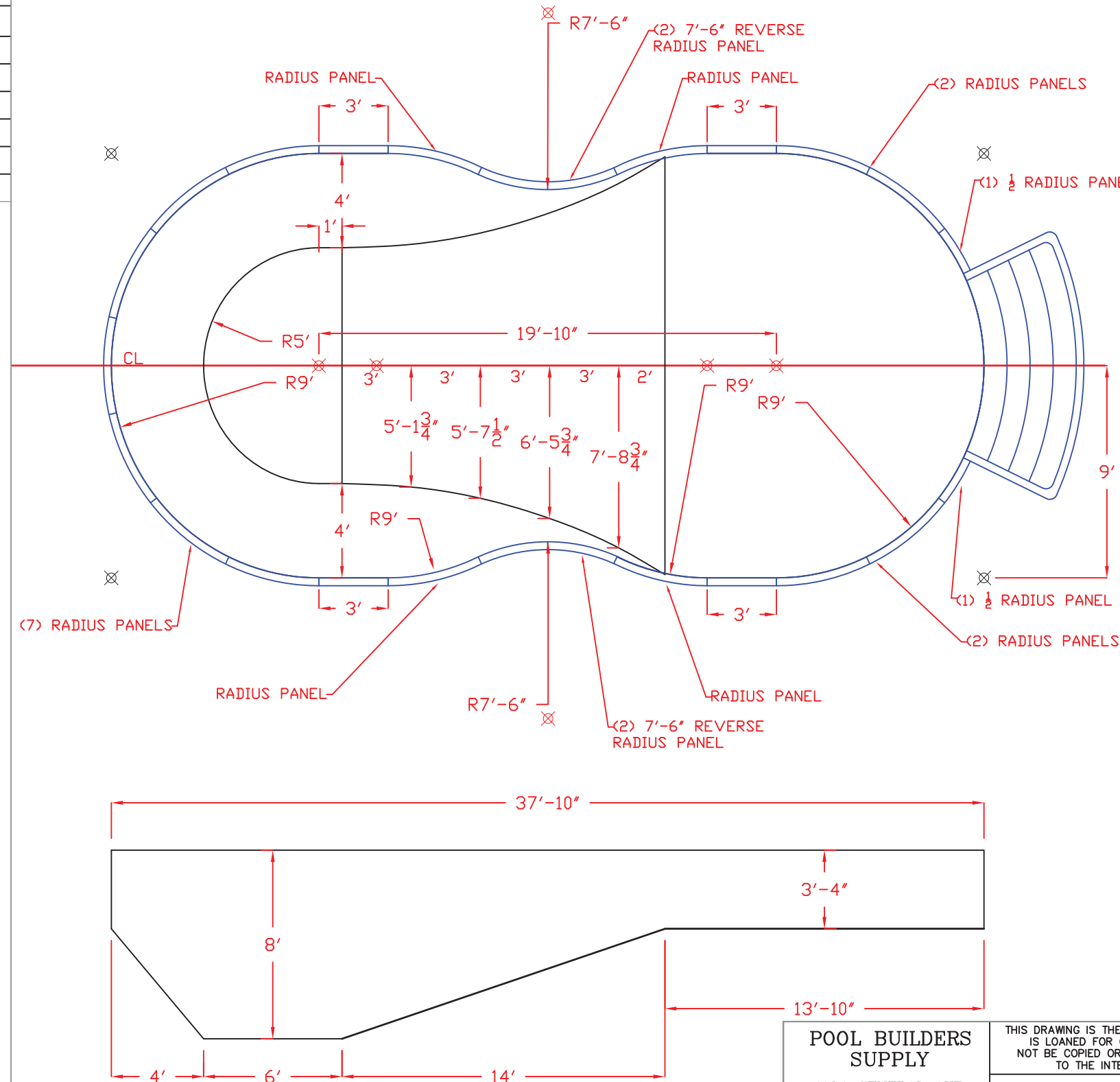
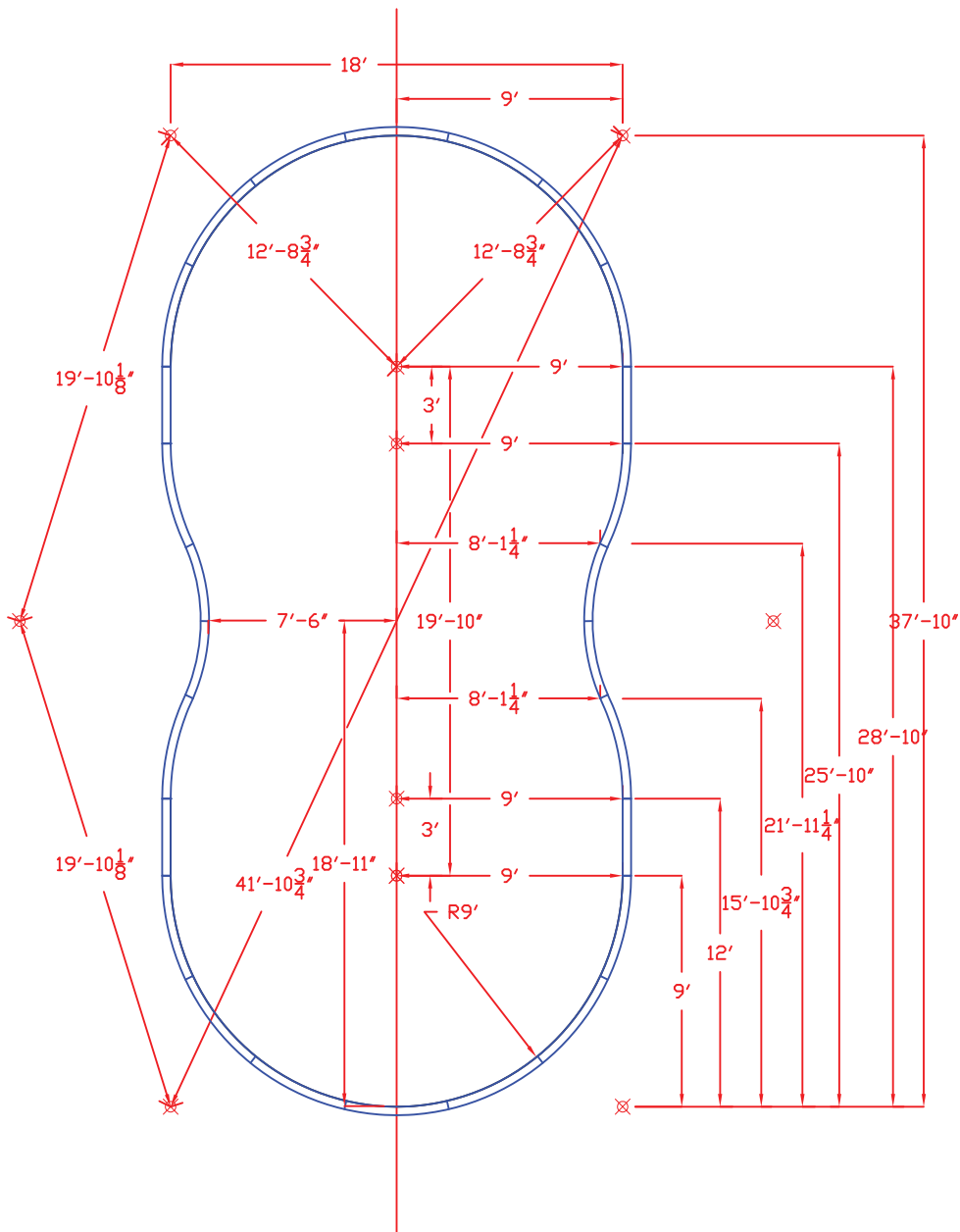
THIS DRAWING IS THE PROPERTY OF POOL BUILDERS SUPPLY AND IS LOANED FOR CONFIDENTIAL USE ONLY, AND SHOULD NOT BE COPIED OR USED FOR ANY PURPOSE DETRIMENTAL TO THE INTEREST OF POOL BUILDERS SUPPLY.

18' X 34'
 FIGURE EIGHT - POLY

DATE 01/22/10	DRAWN BY JMH	SIZE B	SCALE NTS	DWG NO. 1 of 1	REV 0
------------------	-----------------	-----------	--------------	-------------------	----------

LIST OF MATERIALS

PART	QUANTITY	PART #
8' RADIUS STEP	1	PBS-8R
9'R - 4'L	15	K23034
9'R - 2'L	2	K23034-2
7'-6"RR - 3'L	4	K23035
3' PLAIN BRACE	4	K23029
	26	POLY BRACE



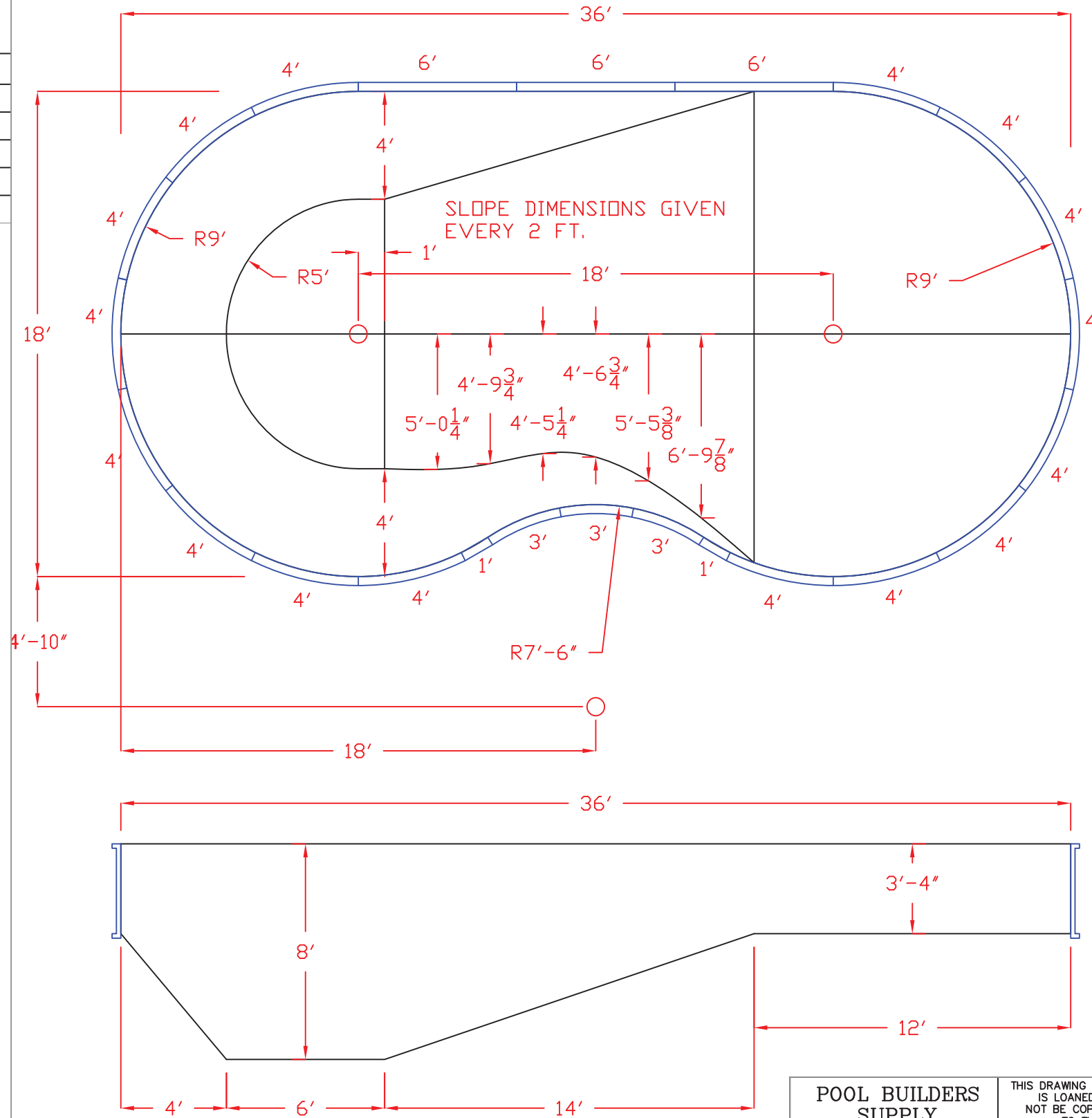
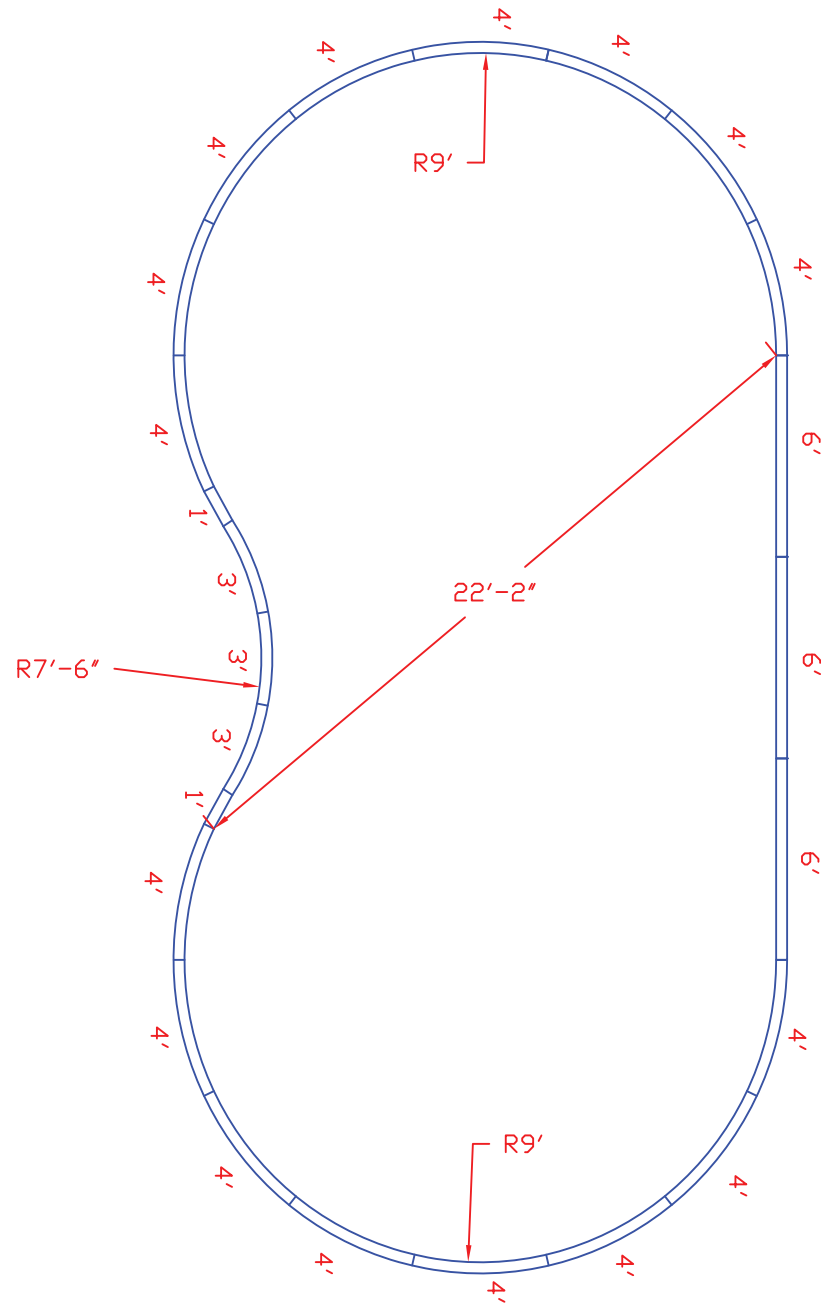
GENERAL NOTES:
 This is a Type II pool & Type II diving equipment must be used. Consult diving board manufacturer's specifications.
 This drawing is for illustrative purposes only. Dealer/ builder is an independent contractor and not an agent or employee of Pool Builders Supply. Pool Builders Supply makes no representations other than that which is stated in its written warranty. The customer or Dealer/ Builder is responsible for all construction methods and conforming to all building codes.
 Safety rope must be installed 1ft. from break on shallow side.
 No diving placards must be used in the shallow end.

PERIMETER: 118'-7"
S.A. : 751.69 SQ.FT.
VOLUME: GAL.

POOL BUILDERS SUPPLY		THIS DRAWING IS THE PROPERTY OF POOL BUILDERS SUPPLY AND IS LOANED FOR CONFIDENTIAL USE ONLY, AND SHOULD NOT BE COPIED OR USED FOR ANY PURPOSE DETRIMENTAL TO THE INTEREST OF POOL BUILDERS SUPPLY.	
1124 CENTRAL AVE. CHARLOTTE, NC 28204		18' X 38' FIGURE "8" - POLY	
DATE 10/11/10	DRAWN BY JMH	SIZE B	SCALE NTS
DWG NO. 1 of 1		REV 0	

LIST OF MATERIALS

PART	QUANTITY	PART #
6' PLAIN	3	K23030
1' PLAIN	2	K23036
3'L - 7'6" RR	3	K23035
4'L - 9'R	16	K23034
BRACE	23	POLY BRACE



GENERAL NOTES:
 This is a Type II pool & Type II diving equipment must be used. Consult diving board manufacturer's specifications.

This drawing is for illustrative purposes only. Dealer/ builder is an independent contractor and not an agent or employee of Pool Builders Supply. Pool Builders Supply makes no representations other than that which is stated in its written warranty. The customer or Dealer/ Builder is responsible for all construction methods and conforming to all building codes.

Safety rope must be installed 1ft. from break on shallow side.

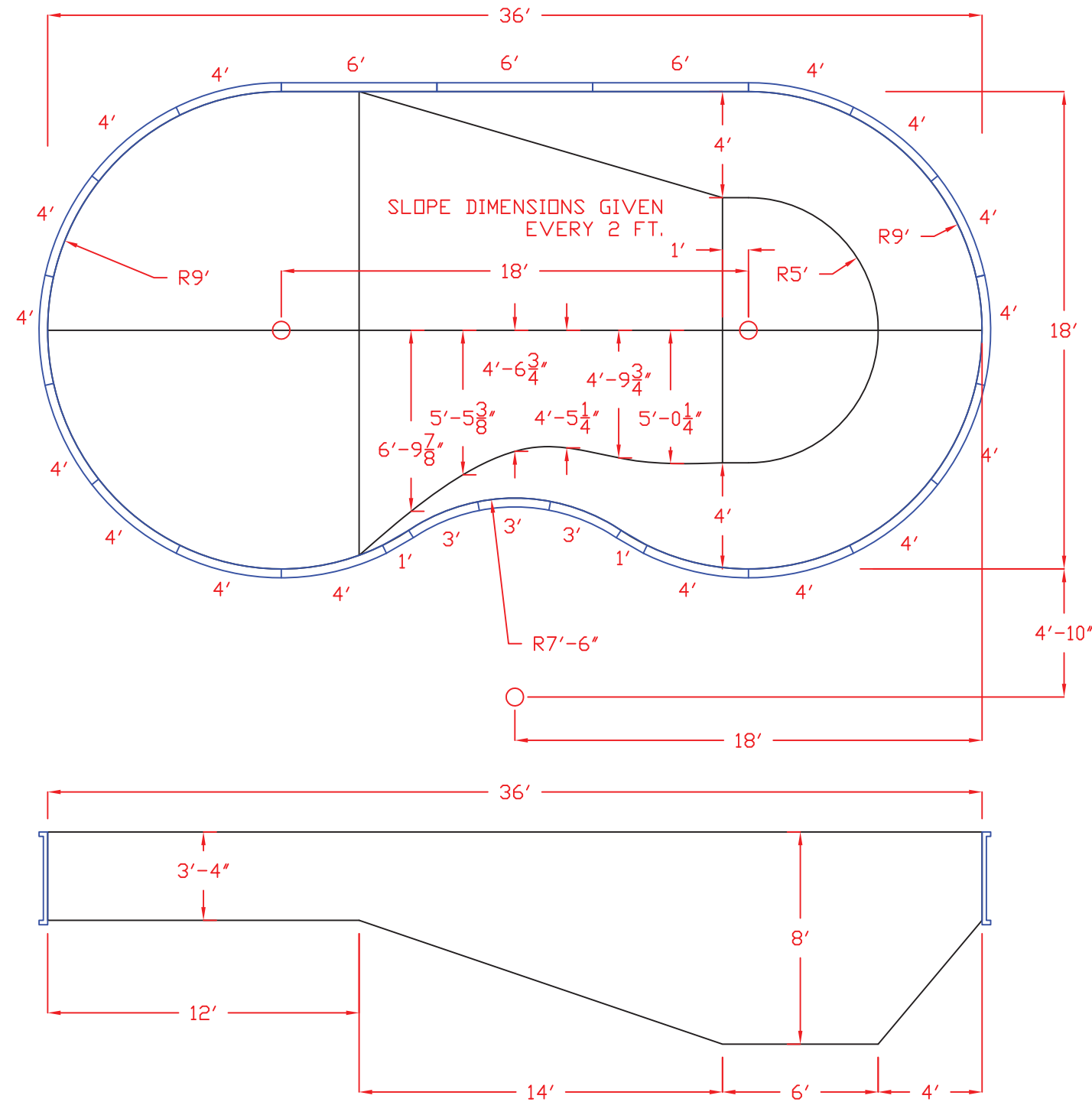
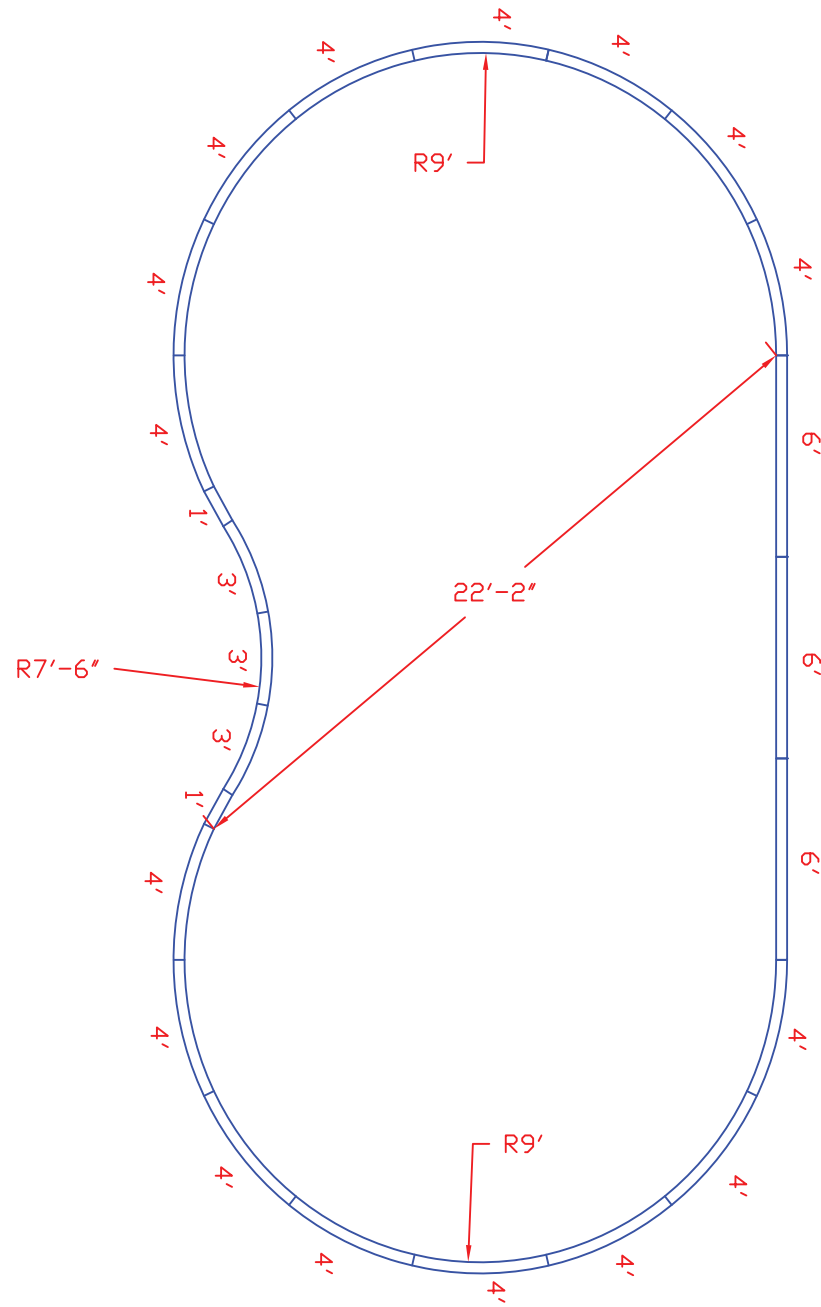
No diving placards must be used in the shallow end.

PERIMETER: 93'-7"
S.A. : 555.21 SQ.FT.
VOLUME: 21,517 GAL.

POOL BUILDERS SUPPLY 1124 CENTRAL AVE. CHARLOTTE, NC 28204		THIS DRAWING IS THE PROPERTY OF POOL BUILDERS SUPPLY AND IS LOANED FOR CONFIDENTIAL USE ONLY, AND SHOULD NOT BE COPIED OR USED FOR ANY PURPOSE DETRIMENTAL TO THE INTEREST OF POOL BUILDERS SUPPLY.	
DATE: 12/22/09		DRAWN BY: JMH	
SIZE: B	SCALE: NTS	DWG NO.: 1 of 1	REV: 0

LIST OF MATERIALS

PART	QUANTITY	PART #
6' PLAIN	3	K23030
1' PLAIN	2	K23036
3'L - 7'6" RR	3	K23035
4'L - 9'R	16	K23034
BRACE	23	POLY BRACE



GENERAL NOTES:
 This is a Type II pool & Type II diving equipment must be used. Consult diving board manufacturer's specifications.

This drawing is for illustrative purposes only. Dealer/ builder is an independent contractor and not an agent or employee of Pool Builders Supply. Pool Builders Supply makes no representations other than that which is stated in its written warranty. The customer or Dealer/ Builder is responsible for all construction methods and conforming to all building codes.

Safety rope must be installed 1ft. from break on shallow side.

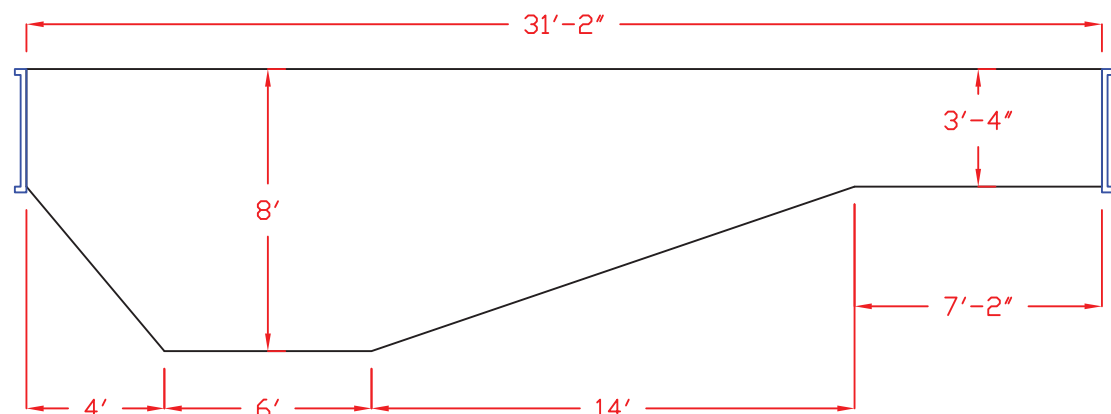
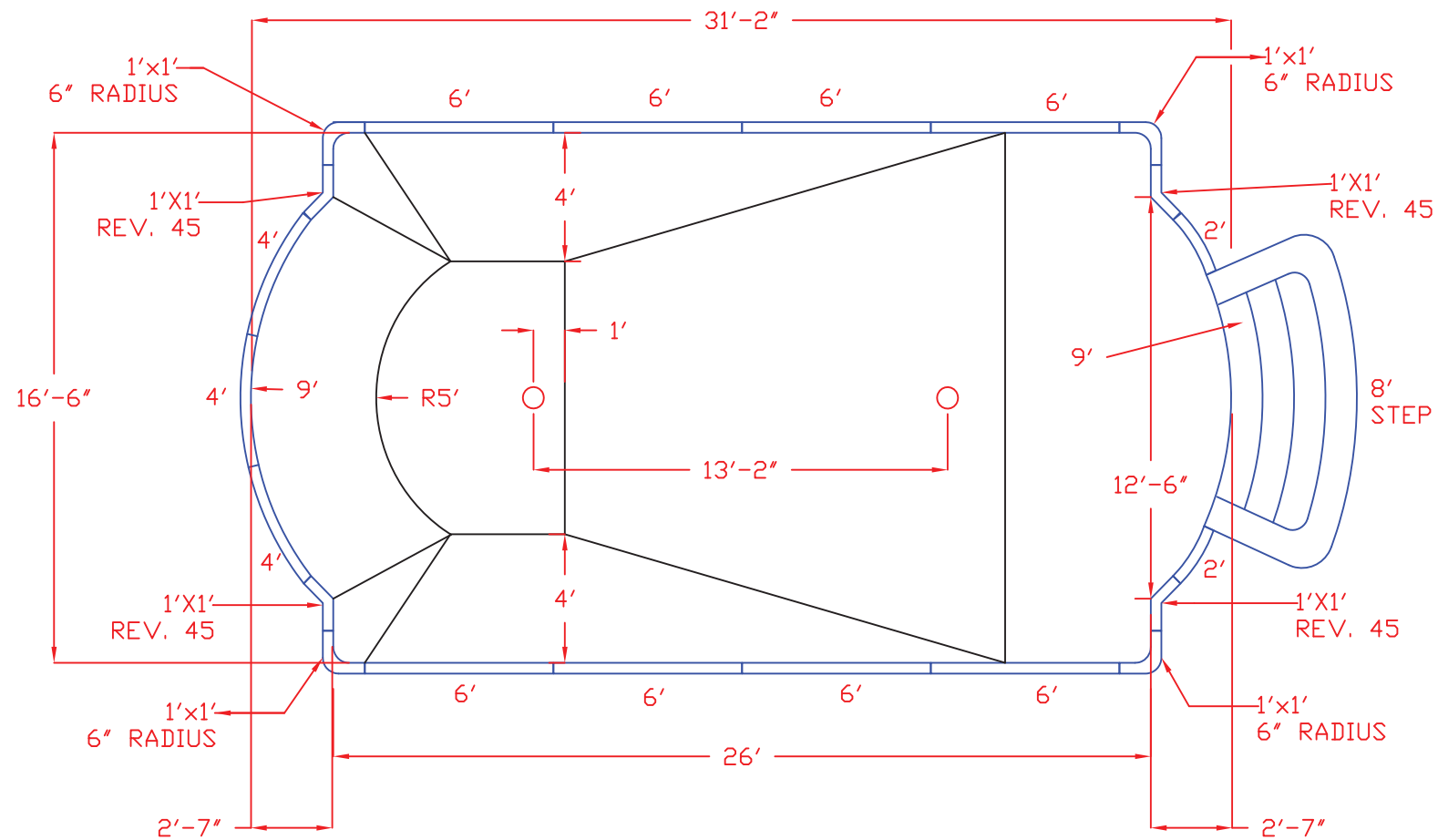
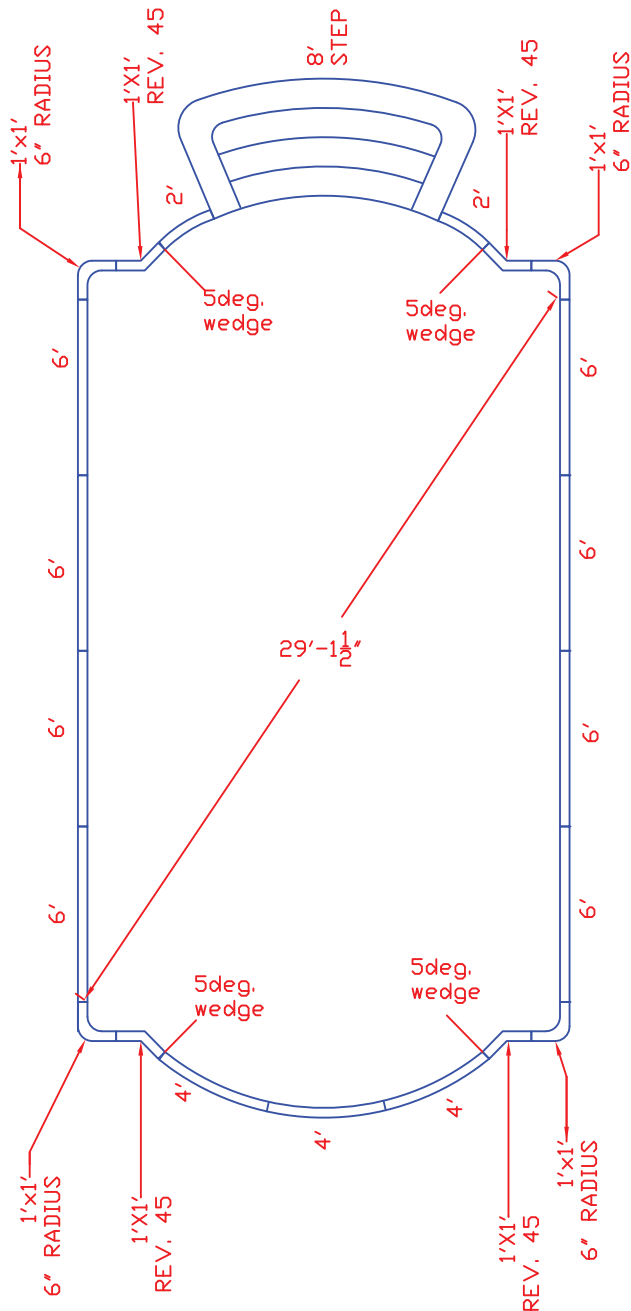
No diving placards must be used in the shallow end.

PERIMETER: 93'-7"
S.A. : 555.21 SQ.FT.
VOLUME: 21,517 GAL.

POOL BUILDERS SUPPLY 1124 CENTRAL AVE. CHARLOTTE, NC 28204		THIS DRAWING IS THE PROPERTY OF POOL BUILDERS SUPPLY AND IS LOANED FOR CONFIDENTIAL USE ONLY, AND SHOULD NOT BE COPIED OR USED FOR ANY PURPOSE DETRIMENTAL TO THE INTEREST OF POOL BUILDERS SUPPLY.	
DATE: 12/22/09		DRAWN BY: JMH	
SIZE: B	SCALE: NTS	DWG NO.: 1 of 1	REV: 0

LIST OF MATERIALS

PART	QUANTITY	PART #
8' STEP	1	PBS-8R
6' PLAIN	8	K23030
4'L - 9'R	3	K23034
2'L - 9'R	2	K23034-2
1'X1' REV. 45	4	K23039
6" RADIUS	4	K23038
BRACE	22	POLY BRACE
5 DEG. WEDGE	4	5 DEG WEDGE



GENERAL NOTES:
 This is a Type II pool & Type II diving equipment must be used. Consult diving board manufacturer's specifications.

This drawing is for illustrative purposes only. Dealer/ builder is an independent contractor and not an agent or employee of Pool Builders Supply. Pool Builders Supply makes no representations other than that which is stated in its written warranty. The customer or Dealer/ Builder is responsible for all construction methods and conforming to all building codes.

Safety rope must be installed 1ft. from break on shallow side.

No diving placards must be used in the shallow end.

PERIMETER: 86'11"
 S.A.: 473.68 SQ.FT.
 VOLUME: 17,500 GAL.

POOL BUILDERS SUPPLY
 1124 CENTRAL AVE.
 CHARLOTTE, NC
 28204

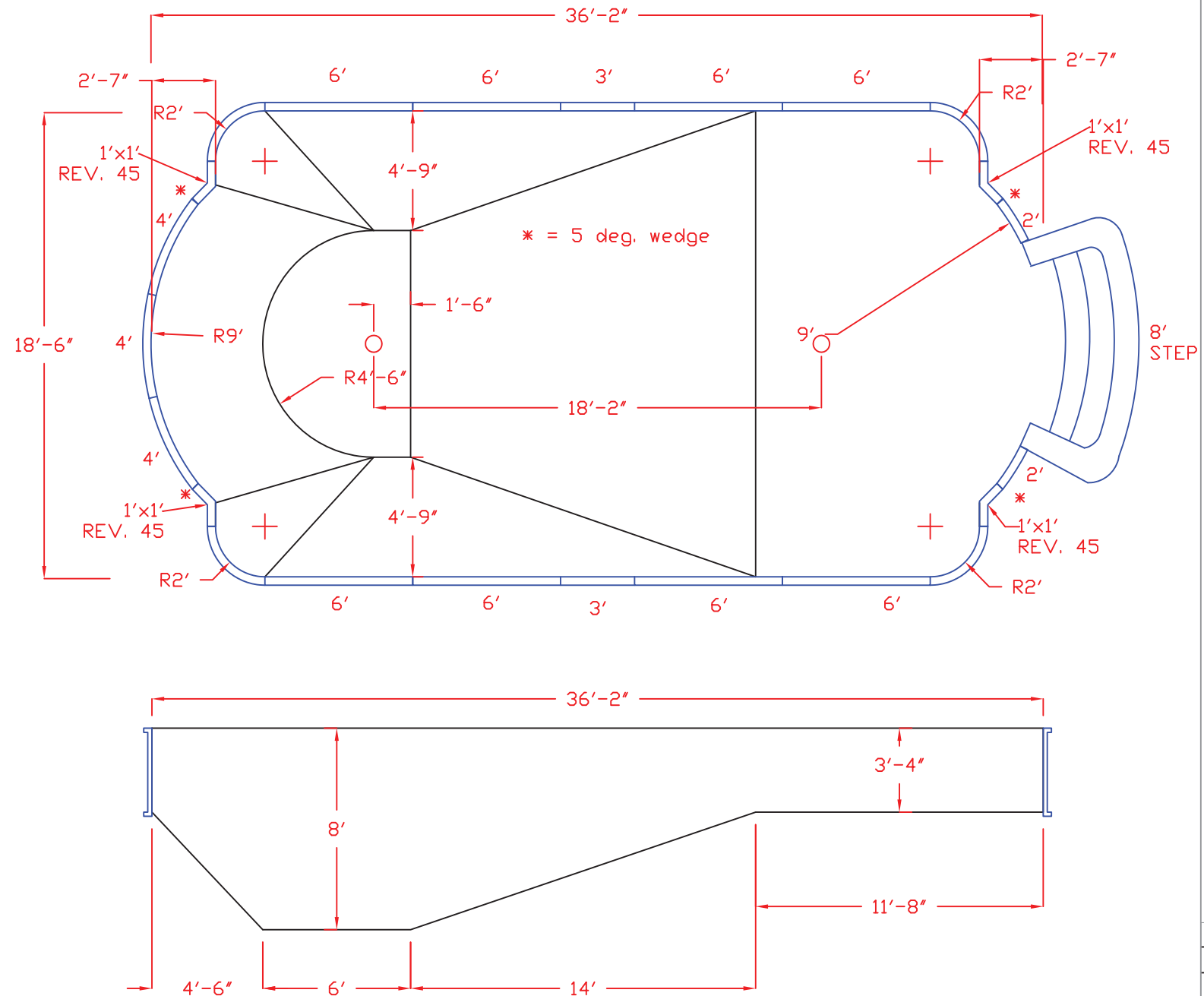
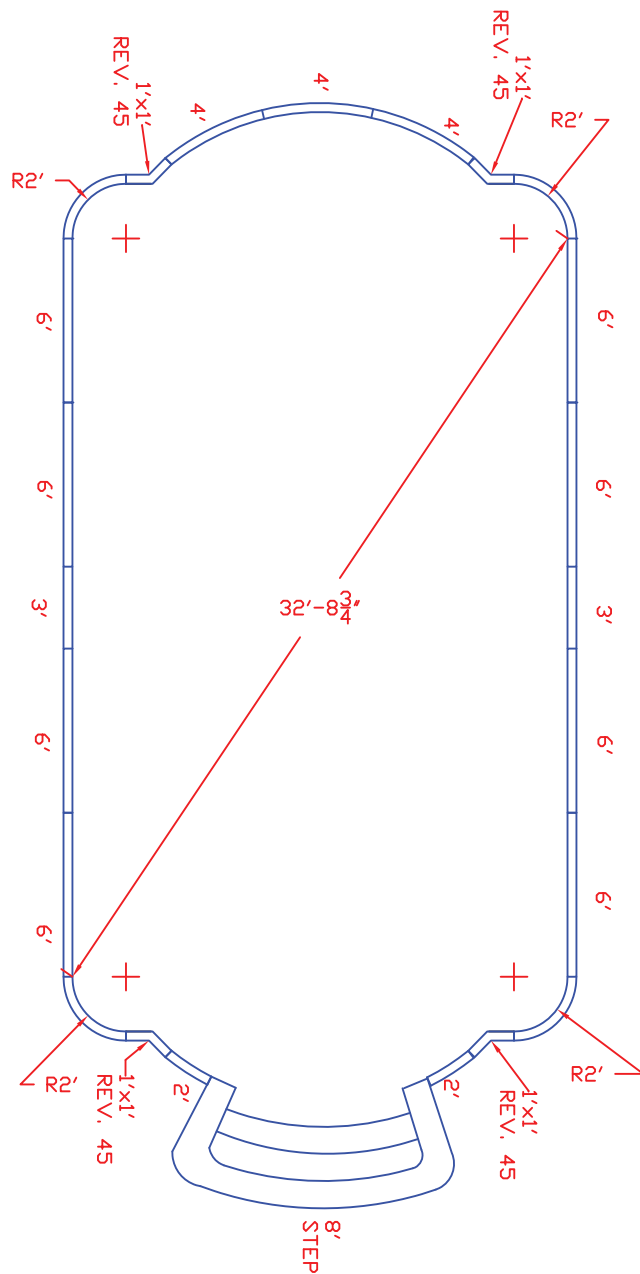
THIS DRAWING IS THE PROPERTY OF POOL BUILDERS SUPPLY AND IS LOANED FOR CONFIDENTIAL USE ONLY, AND SHOULD NOT BE COPIED OR USED FOR ANY PURPOSE DETRIMENTAL TO THE INTEREST OF POOL BUILDERS SUPPLY.

16'-6" X 31'-2"
 DOUBLE ROMAN - POLY

DATE 10/13/08	DRAWN BY JMH	SIZE B	SCALE NTS	DWG NO. 1 of 1	REV 0
------------------	-----------------	-----------	--------------	-------------------	----------

LIST OF MATERIALS

PART	QUANTITY	PART #
8' STEP	1	PBS-8R
6' PLAIN	8	K23030
3' PLAIN	2	K23029
4'L - 9'R	3	K23034
2'L - 9'R	2	K23034-2
1'X1' REV. 45	4	K23039
2' RADIUS	4	K23033
BRACE	24	POLY BRACE
5 DEG. WEDGE	4	5 DEG WEDGE



GENERAL NOTES:
 This is a Type II pool & Type II diving equipment must be used. Consult diving board manufacturer's specifications.

This drawing is for illustrative purposes only. Dealer/ builder is an independent contractor and not an agent or employee of Pool Builders Supply. Pool Builders Supply makes no representations other than that which is stated in its written warranty. The customer or Dealer/ Builder is responsible for all construction methods and conforming to all building codes.

Safety rope must be installed 1ft. from break on shallow side.

No diving placards must be used in the shallow end.

PERIMETER: 108'-8"
 S.A. : 710.55 SQ.FT.
 VOLUME: 22,712 GAL.

POOL BUILDERS SUPPLY
 1124 CENTRAL AVE.
 CHARLOTTE, NC
 28204

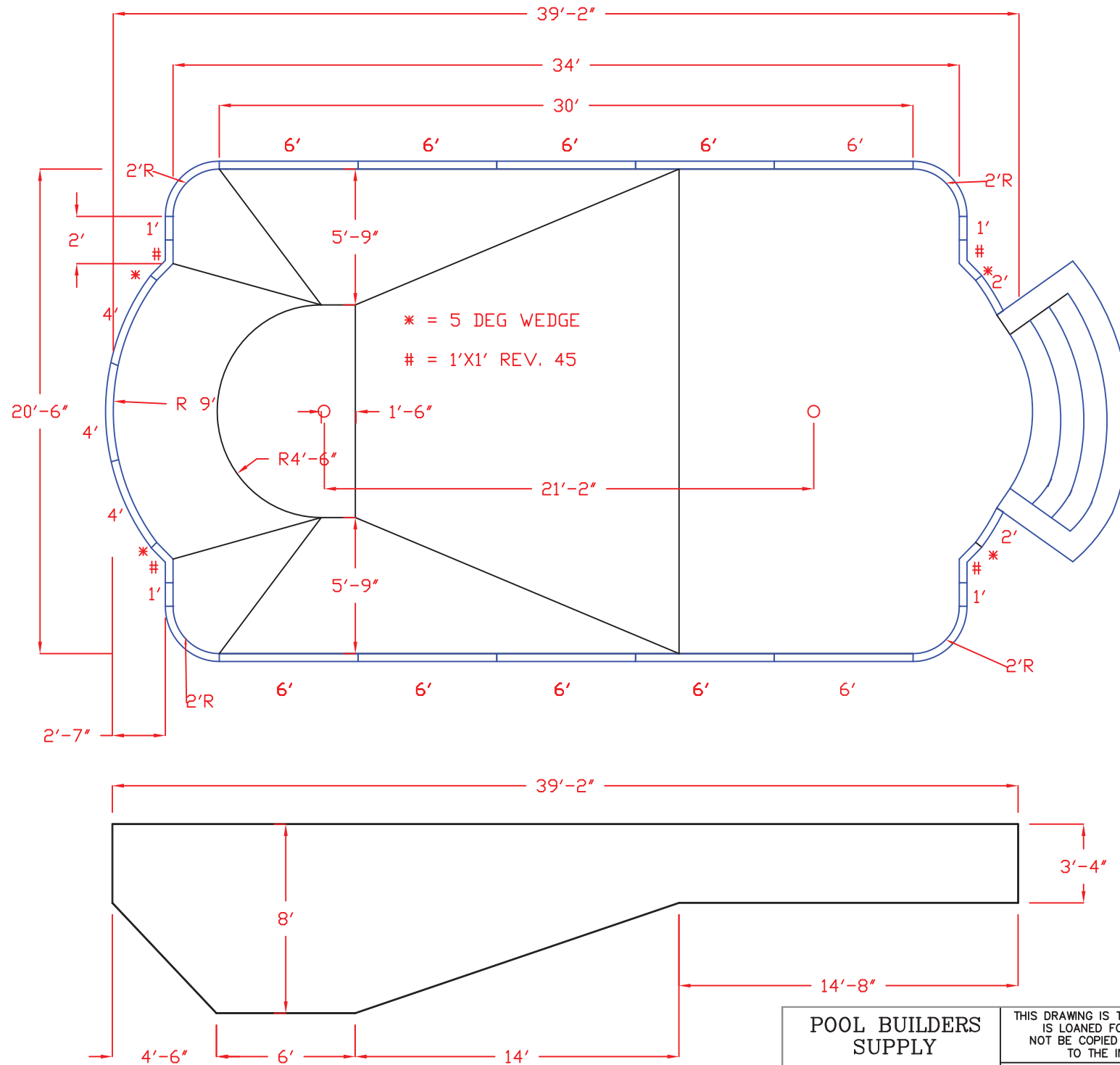
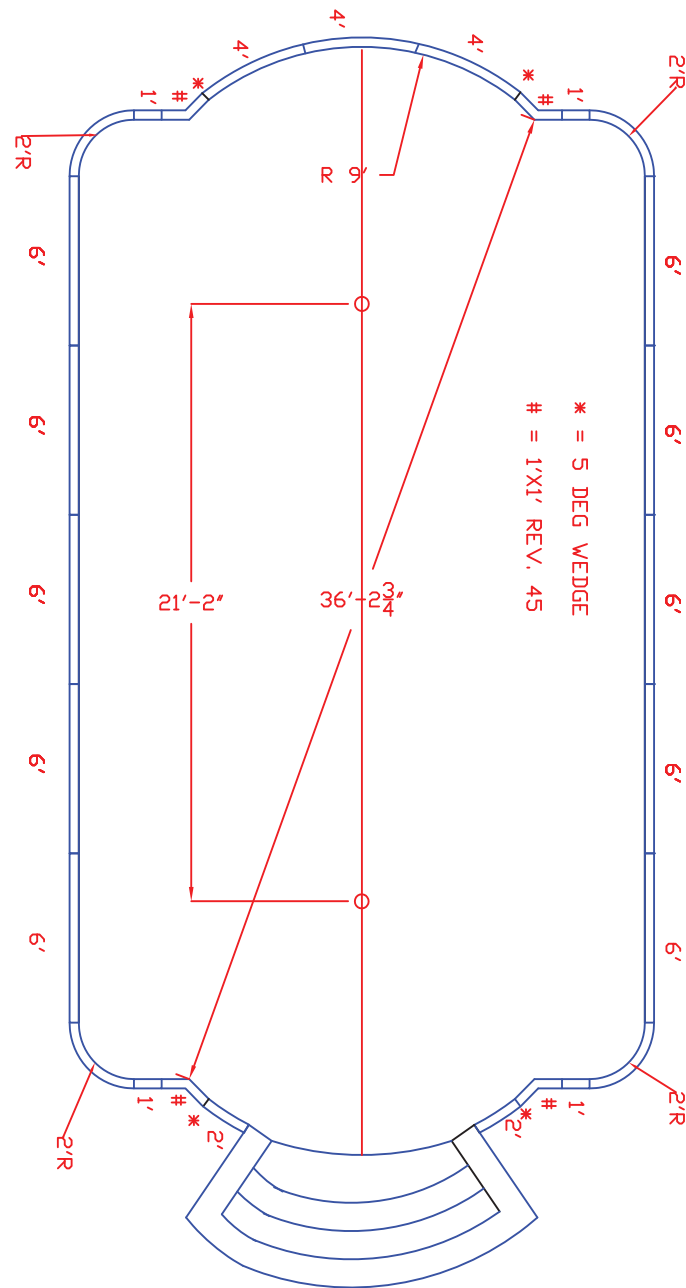
THIS DRAWING IS THE PROPERTY OF POOL BUILDERS SUPPLY AND IS LOANED FOR CONFIDENTIAL USE ONLY, AND SHOULD NOT BE COPIED OR USED FOR ANY PURPOSE DETRIMENTAL TO THE INTEREST OF POOL BUILDERS SUPPLY.

18'-6" X 36'-2"
 DOUBLE ROMAN - POLY

DATE 10/13/08	DRAWN BY JMH	SIZE B	SCALE NTS	DWG NO. 1 of 1	REV 0
------------------	-----------------	-----------	--------------	-------------------	----------

LIST OF MATERIALS

PART	QUANTITY	PART #
8' STEP	1	PBS-8R
6' PLAIN	10	K23030
4'L - 9'R	3	K23034
1' PLAIN	4	K23036
1' X 1' REV. 45	4	K23039
2' L - 9'R	2	K23034-2
5 DEG. WEDGE	4	5 DEG WEDGE
BRACES	28	POLY BRACE



GENERAL NOTES:
This is a Type II pool & Type II diving equipment must be used. Consult diving board manufacturer's specifications.

This drawing is for illustrative purposes only. Dealer/ builder is an independent contractor and not an agent or employee of Pool Builders Supply. Pool Builders Supply makes no representations other than that which is stated in its written warranty. The customer or Dealer/ Builder is responsible for all construction methods and conforming to all building codes.

Safety rope must be installed 1ft. from break on shallow side.

No diving placards must be used in the shallow end.

PERIMETER: 108'-4"
S.A. : 738.47 SQ.FT.
VOLUME: 27,195 GAL.

POOL BUILDERS SUPPLY
1124 CENTRAL AVE.
CHARLOTTE, NC
28204

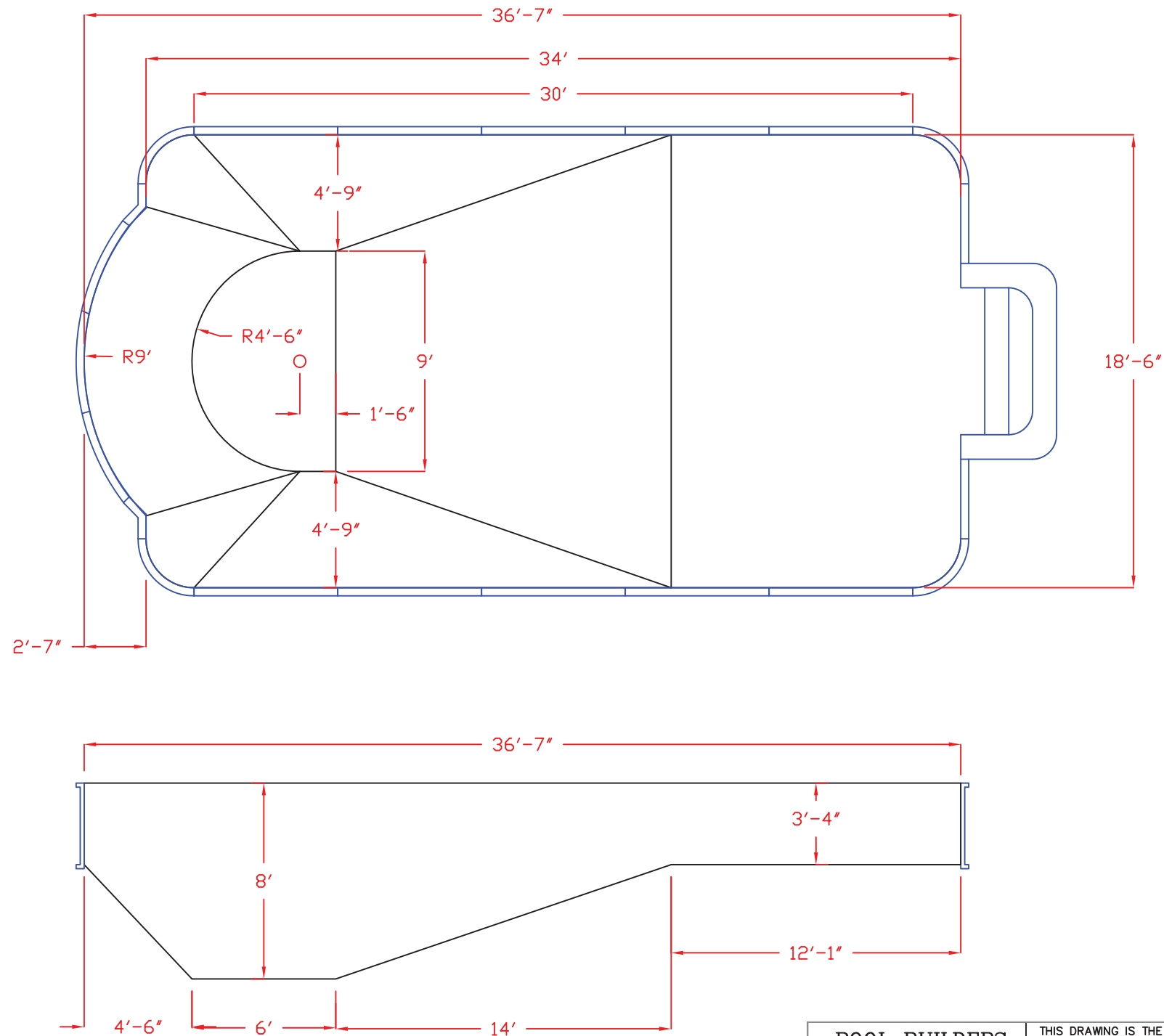
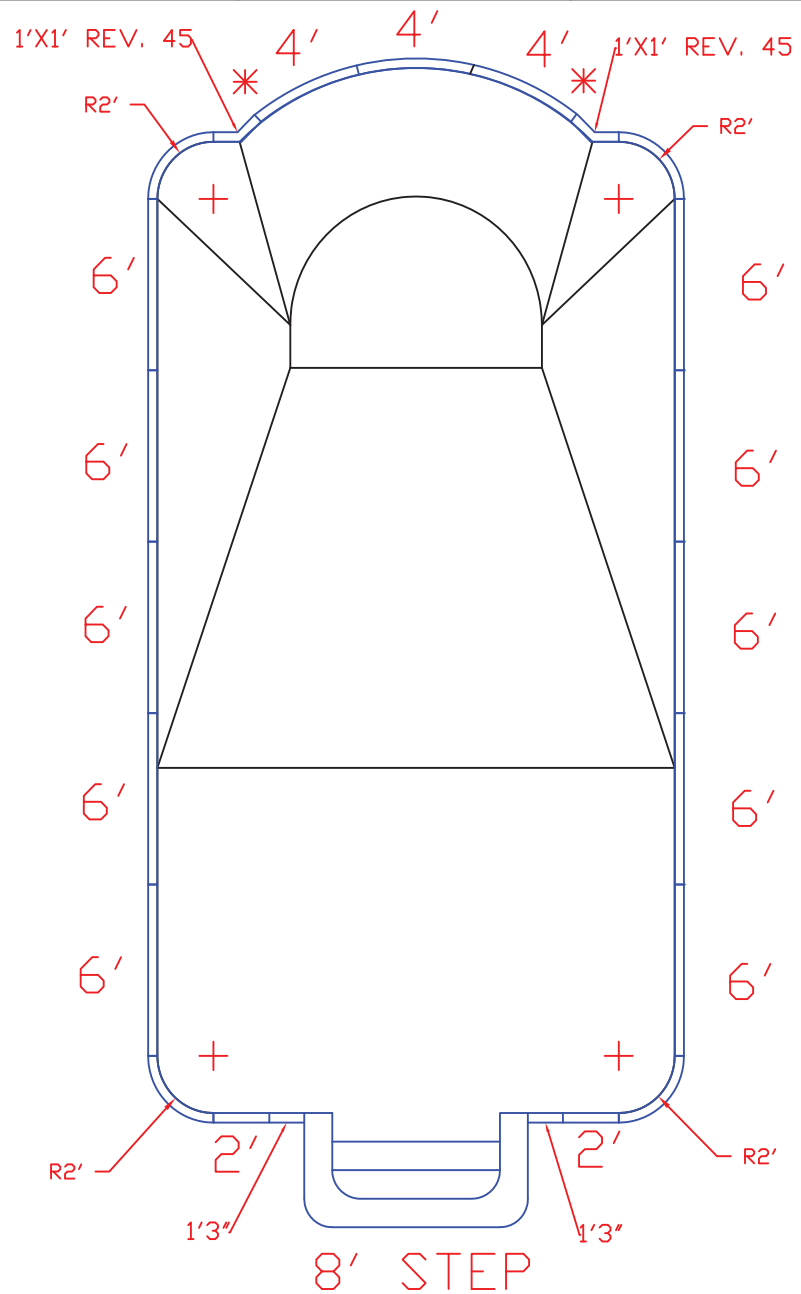
THIS DRAWING IS THE PROPERTY OF POOL BUILDERS SUPPLY AND IS LOANED FOR CONFIDENTIAL USE ONLY, AND SHOULD NOT BE COPIED OR USED FOR ANY PURPOSE DETRIMENTAL TO THE INTEREST OF POOL BUILDERS SUPPLY.

20'6" x 39'2"
2' RAD. DOUBLE ROMAN

DATE 10/13/08	DRAWN BY JMH	SIZE B	SCALE NTS	DWG NO. 1 of 1	REV 0
------------------	-----------------	-----------	--------------	-------------------	----------

LIST OF MATERIALS

PART	QUANTITY	PART #
8' STEP	1	PBS-8
6' PLAIN	10	K23030
2' PLAIN	2	K23028
1'-3" PLAIN	2	K23027
4'L - 9'R	3	K23034
2' RADIUS	4	K23033
1'X1' REV. 45	2	K23039
BRACE	22	POLY BRACE
5 DEG. WEDGE	2	* 5 DEG WEDGE



GENERAL NOTES:
 This is a Type II pool & Type II diving equipment must be used. Consult diving board manufacturer's specifications.

This drawing is for illustrative purposes only. Dealer/ builder is an independent contractor and not an agent or employee of Pool Builders Supply. Pool Builders Supply makes no representations other than that which is stated in its written warranty. The customer or Dealer/ Builder is responsible for all construction methods and conforming to all building codes.

Safety rope must be installed 1ft. from break on shallow side.

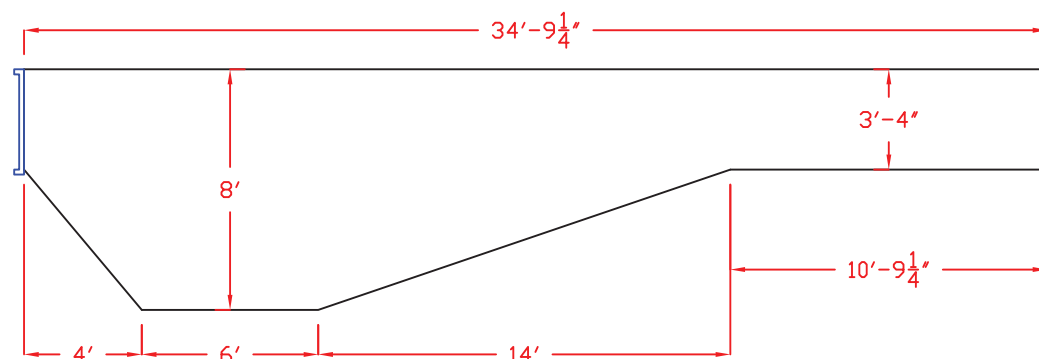
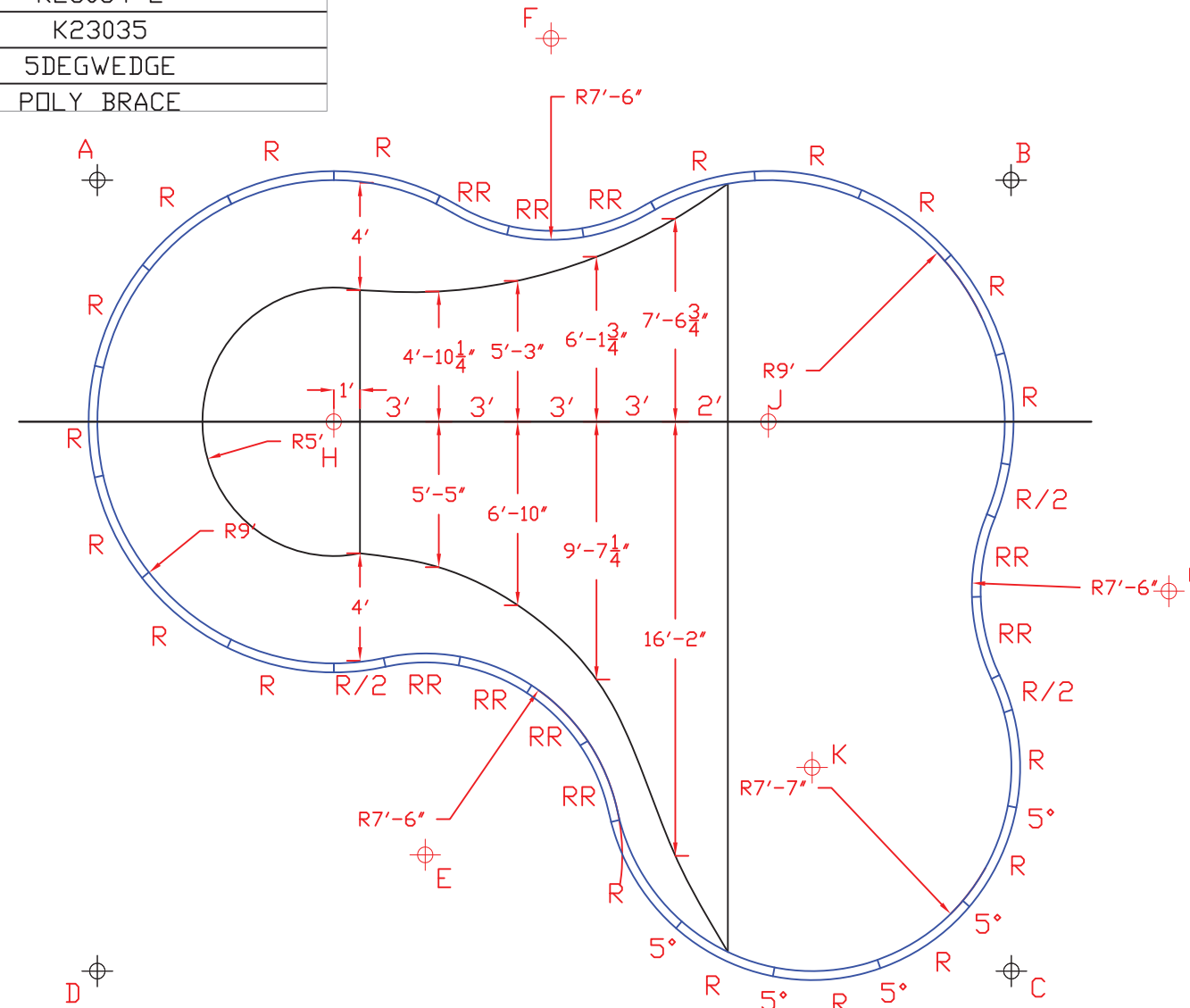
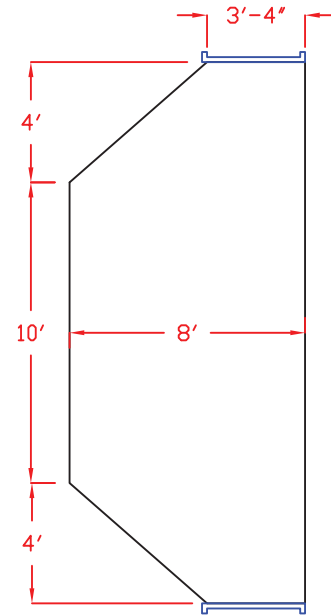
No diving placards must be used in the shallow end.

PERIMETER: 102'11"
S.A. : 648 SQ.FT.
VOLUME: 23,343 GAL.

POOL BUILDERS SUPPLY		THIS DRAWING IS THE PROPERTY OF POOL BUILDERS SUPPLY AND IS LOANED FOR CONFIDENTIAL USE ONLY, AND SHOULD NOT BE COPIED OR USED FOR ANY PURPOSE DETRIMENTAL TO THE INTEREST OF POOL BUILDERS SUPPLY.	
1124 CENTRAL AVE. CHARLOTTE, NC 28204		18'-6" X 36'-7" W/ 2'R SINGLE ROMAN - POLY	
DATE	DRAWN BY	SIZE	SCALE
01/22/10	JMH	B	NTS
DWG NO.		REV	
1 of 1		0	

LIST OF MATERIALS

PART	QUANTITY	PART #
9' RADIUS 4' LENGTH	19	K23034
9' RADIUS 2' LENGTH	3	K23034-2
7'-6" REVERSE RADIUS 3' LENGTH	9	K23035
5 DEGREE WEDGE	5	5DEGWEDGE
BRACE	31	POLY BRACE



GENERAL NOTES:

This is a Type II pool & Type II diving equipment must be used. Consult diving board manufacturer's specifications.

This drawing is for illustrative purposes only. Dealer/ builder is an independent contractor and not an agent or employee of Pool Builders Supply. Pool Builders Supply makes no representations other than that which is stated in its written warranty. The customer or Dealer/ Builder is responsible for all construction methods and conforming to all building codes.

Safety rope must be installed 1ft. from break on shallow side.

No diving placards must be used in the shallow end.

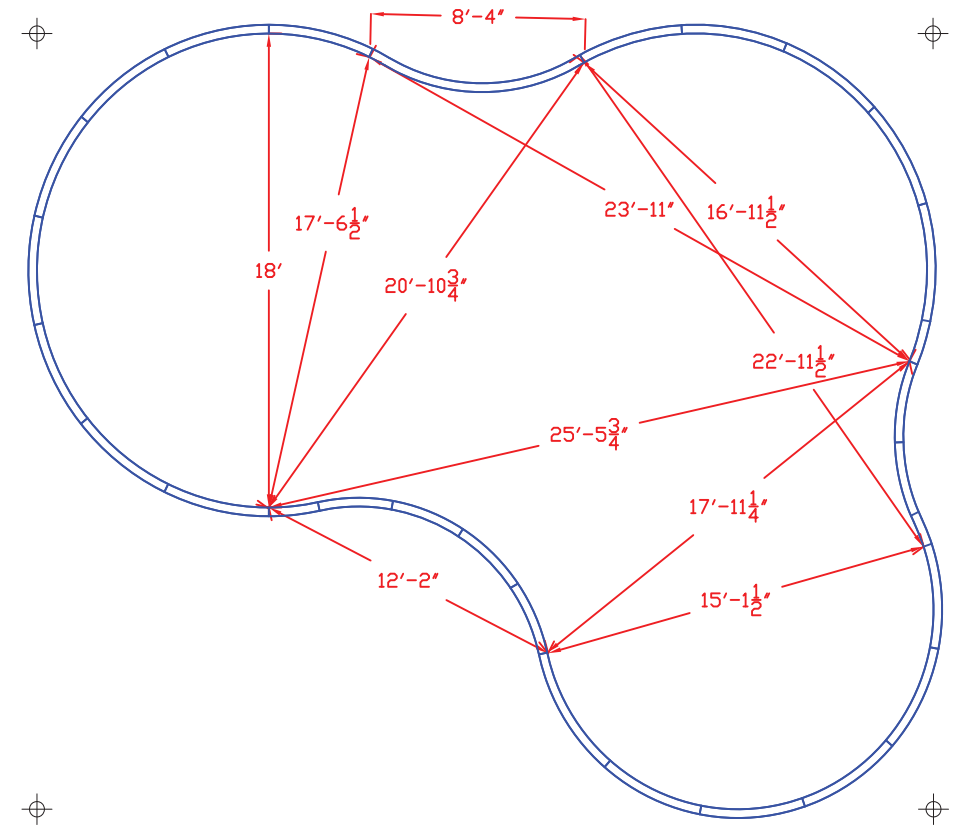
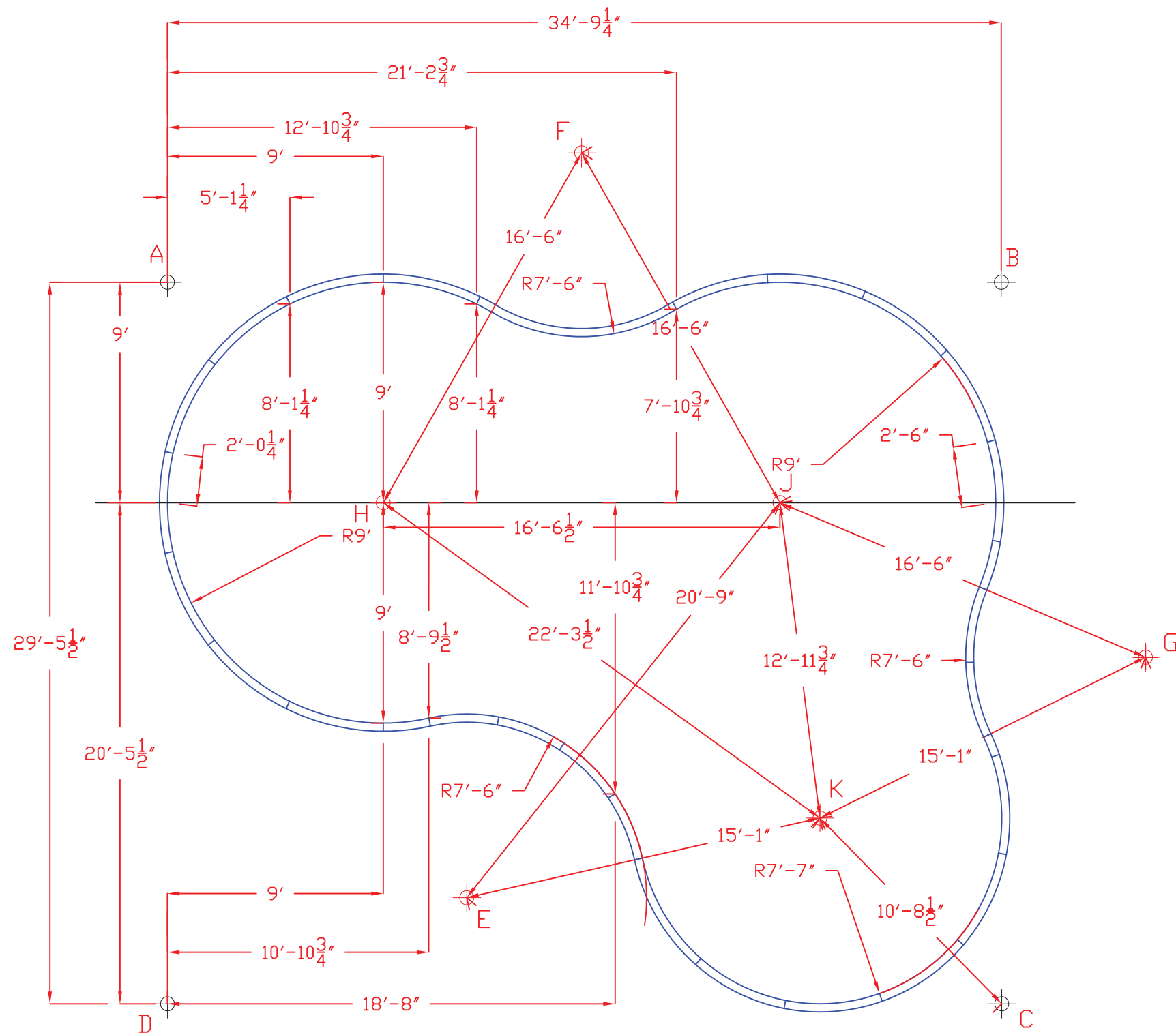
PERIMETER: 108'-11"
S.A. : 700 SQ.FT.
VOLUME: 23,650 GAL.

POOL BUILDERS SUPPLY
1124 CENTRAL AVE.
CHARLOTTE, NC
28204

THIS DRAWING IS THE PROPERTY OF POOL BUILDERS SUPPLY AND IS LOANED FOR CONFIDENTIAL USE ONLY, AND SHOULD NOT BE COPIED OR USED FOR ANY PURPOSE DETRIMENTAL TO THE INTEREST OF POOL BUILDERS SUPPLY.

18' X 29' X 35'
LAGOON LEFT - POLY

DATE 04/30/10	DRAWN BY JMH	SIZE B	SCALE NTS	DWG NO. 1 of 2	REV 0
------------------	-----------------	-----------	--------------	-------------------	----------



POOL BUILDERS
SUPPLY

1124 CENTRAL AVE.
CHARLOTTE, NC
28204

THIS DRAWING IS THE PROPERTY OF POOL BUILDERS SUPPLY AND IS LOANED FOR CONFIDENTIAL USE ONLY, AND SHOULD NOT BE COPIED OR USED FOR ANY PURPOSE DETRIMENTAL TO THE INTEREST OF POOL BUILDERS SUPPLY.

18' X 29' X 35'
LAGOON LEFT - POLY

DATE 04/30/10	DRAWN BY JMH	SIZE B	SCALE NTS	DWG NO. 2 OF 2	REV 0
------------------	-----------------	-----------	--------------	-------------------	----------

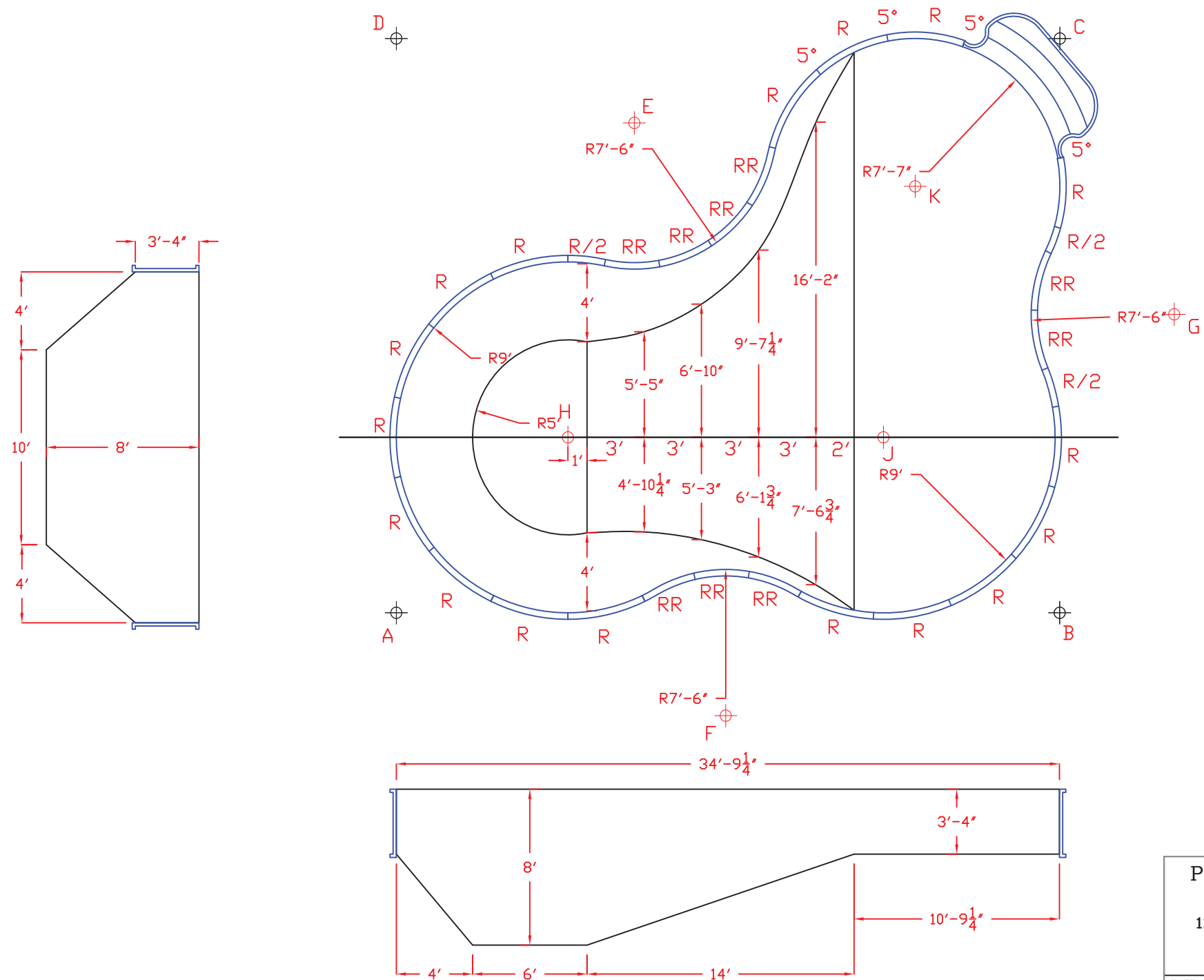
PART	QUANTITY	PART #
8' RADIUS STEP	1	QP-008SR
9' RADIUS 4' LENGTH	17	K23034
9' RADIUS 2' LENGTH	3	K23034-2
7'-6" REVERSE RADIUS 3' LENGTH	1	K23035
5 DEGREE WEDGE	4	5DEGWEDGE
BRACE	31	POLY BRACE

GENERAL NOTES:
 This is a Type II pool & Type II diving equipment must be used. Consult diving board manufacturer's specifications.

This drawing is for illustrative purposes only. Dealer/ builder is an independent contractor and not an agent or employee of Pool Builders Supply. Pool Builders Supply makes no representations other than that which is stated in its written warranty. The customer or Dealer/ Builder is responsible for all construction methods and conforming to all building codes.

Safety rope must be installed 1ft. from break on shallow side.

No diving placards must be used in the shallow end.



PERIMETER: 108'-11"

S.A. : 700 SQ.FT.

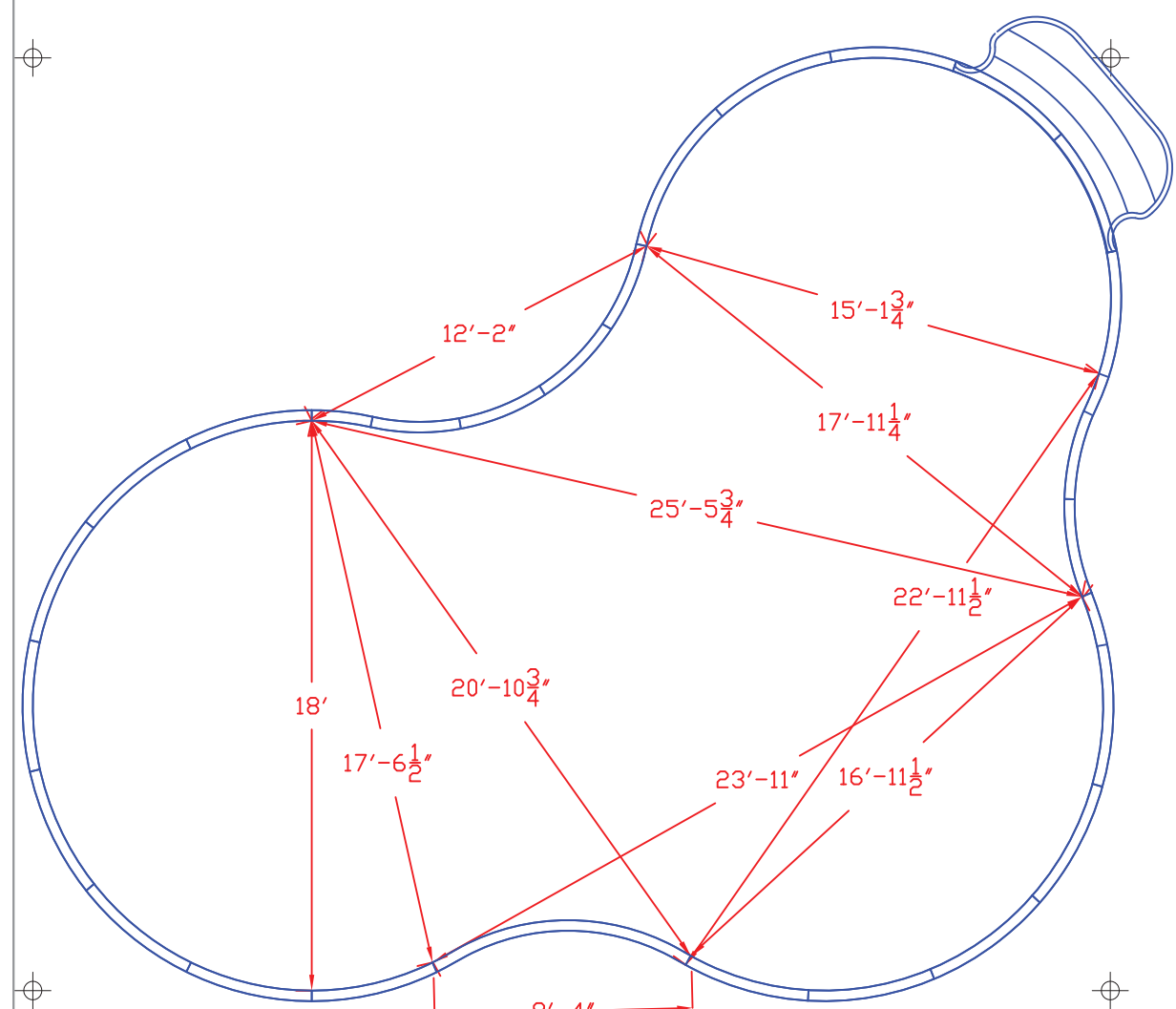
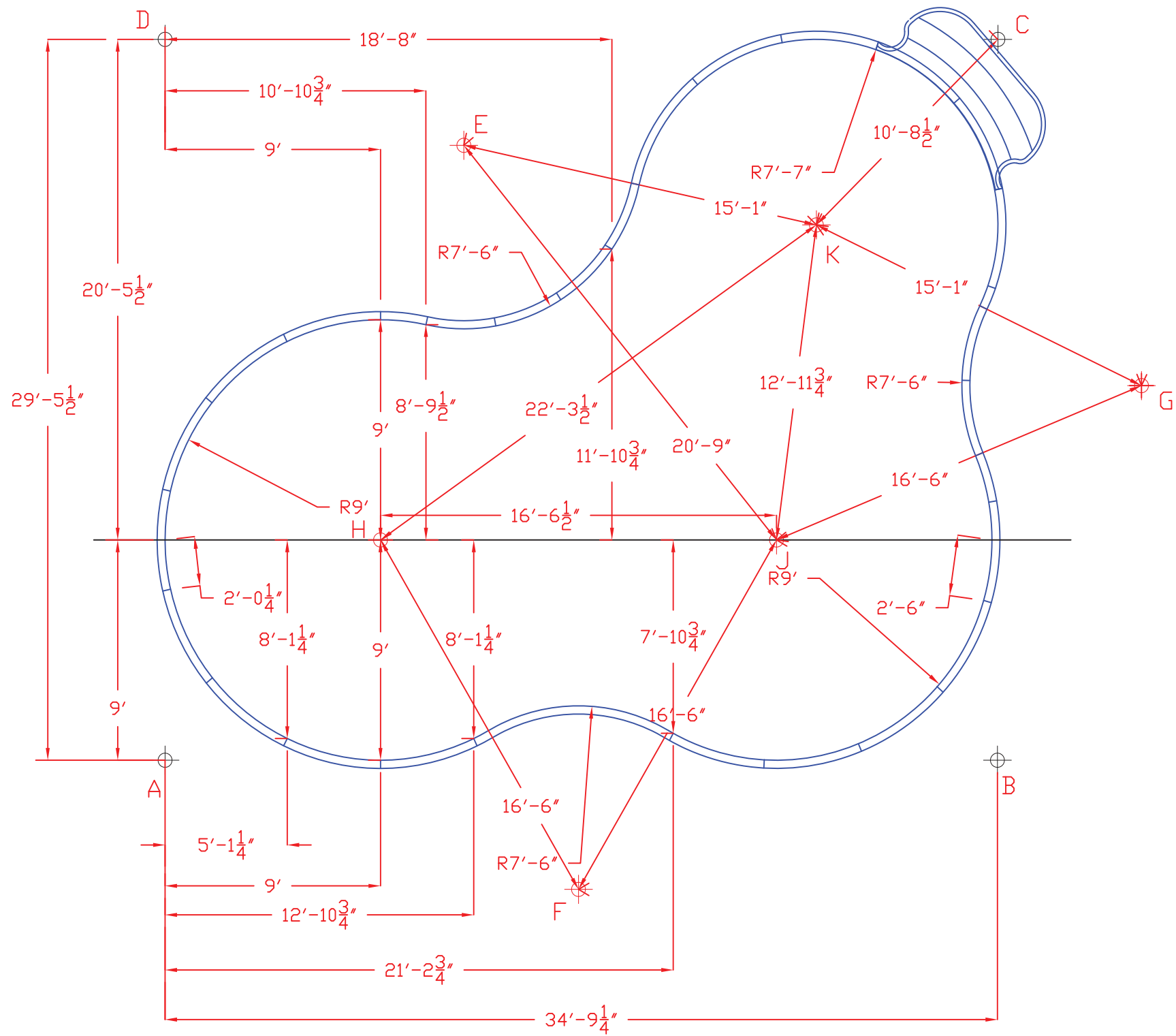
VOLUME: 23,650 GAL.

**POOL BUILDERS
 SUPPLY**
 1124 CENTRAL AVE.
 CHARLOTTE, NC
 28204

THIS DRAWING IS THE PROPERTY OF POOL BUILDERS SUPPLY AND IS LOANED FOR CONFIDENTIAL USE ONLY. AND SHOULD NOT BE COPIED OR USED FOR ANY PURPOSE DETRIMENTAL TO THE INTEREST OF POOL BUILDERS SUPPLY.

**18' X 29' X 35'
 LAGOON RIGHT - POLY**

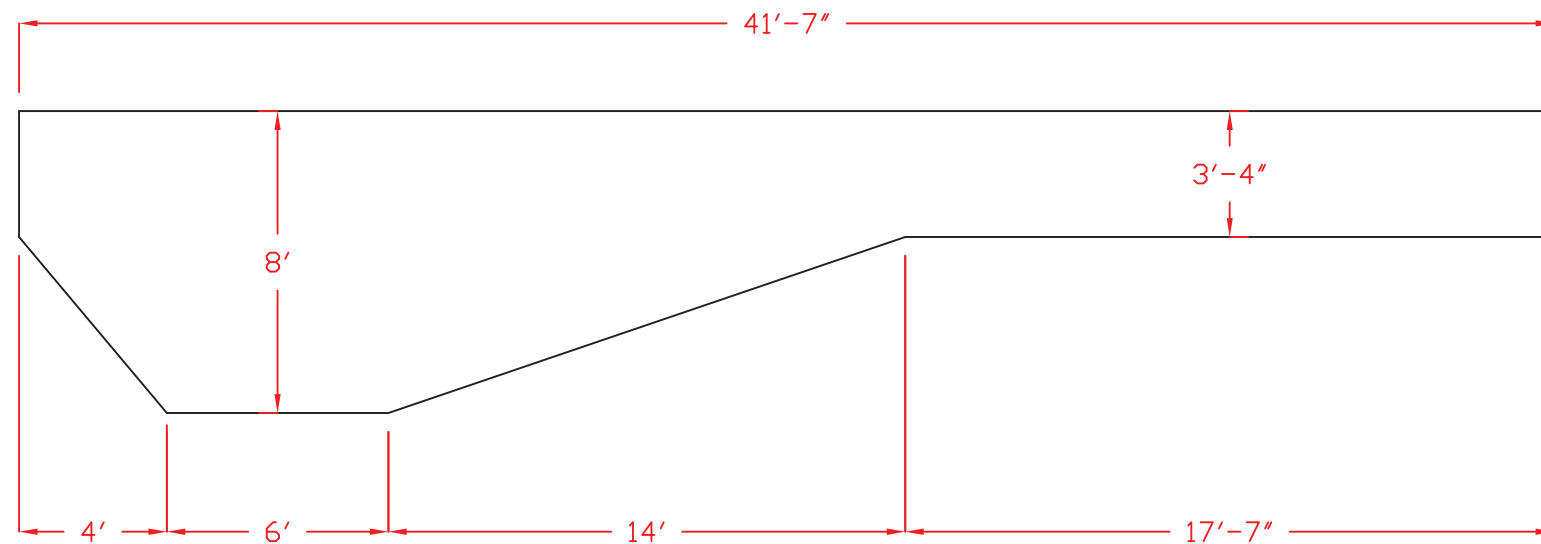
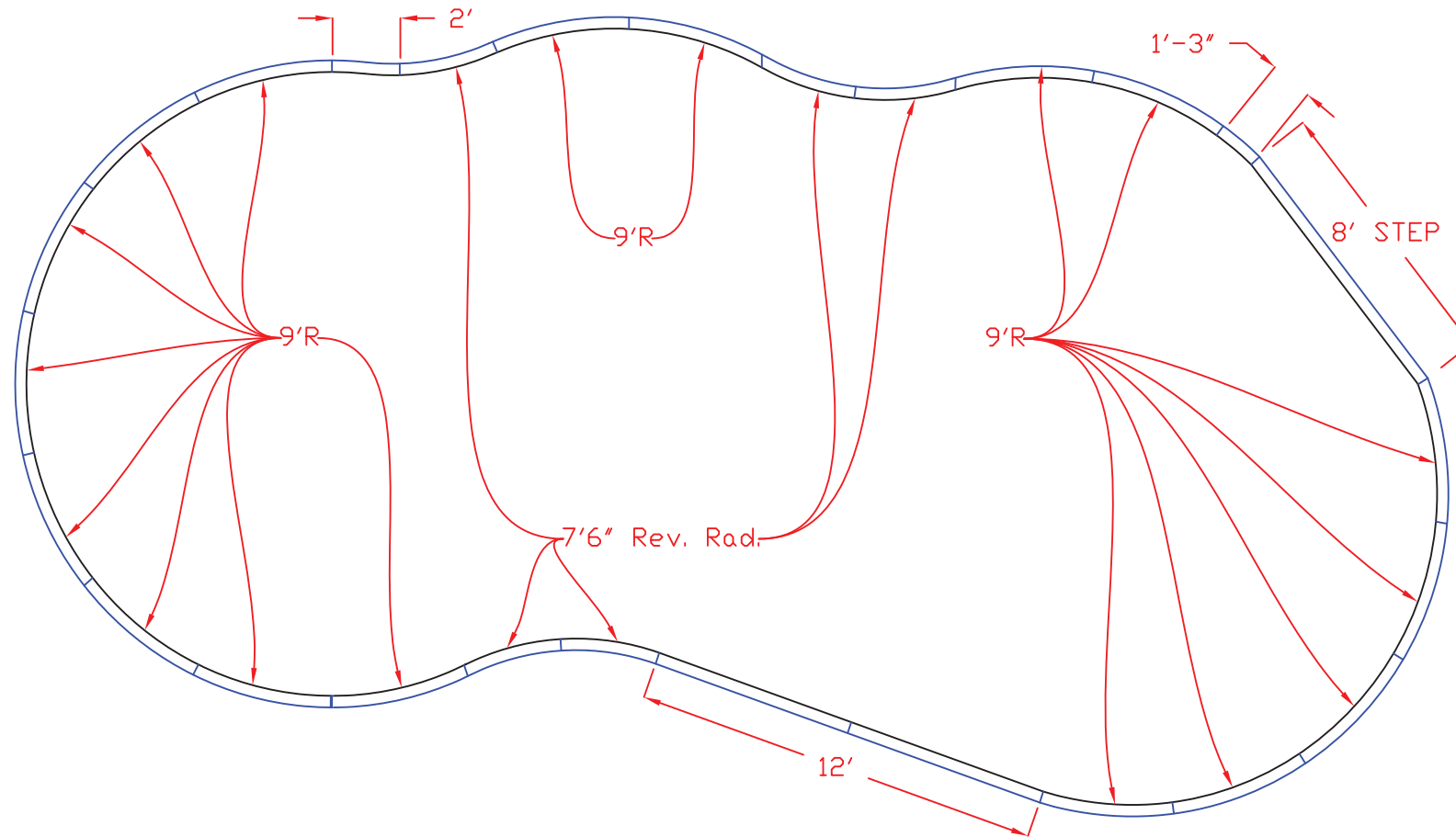
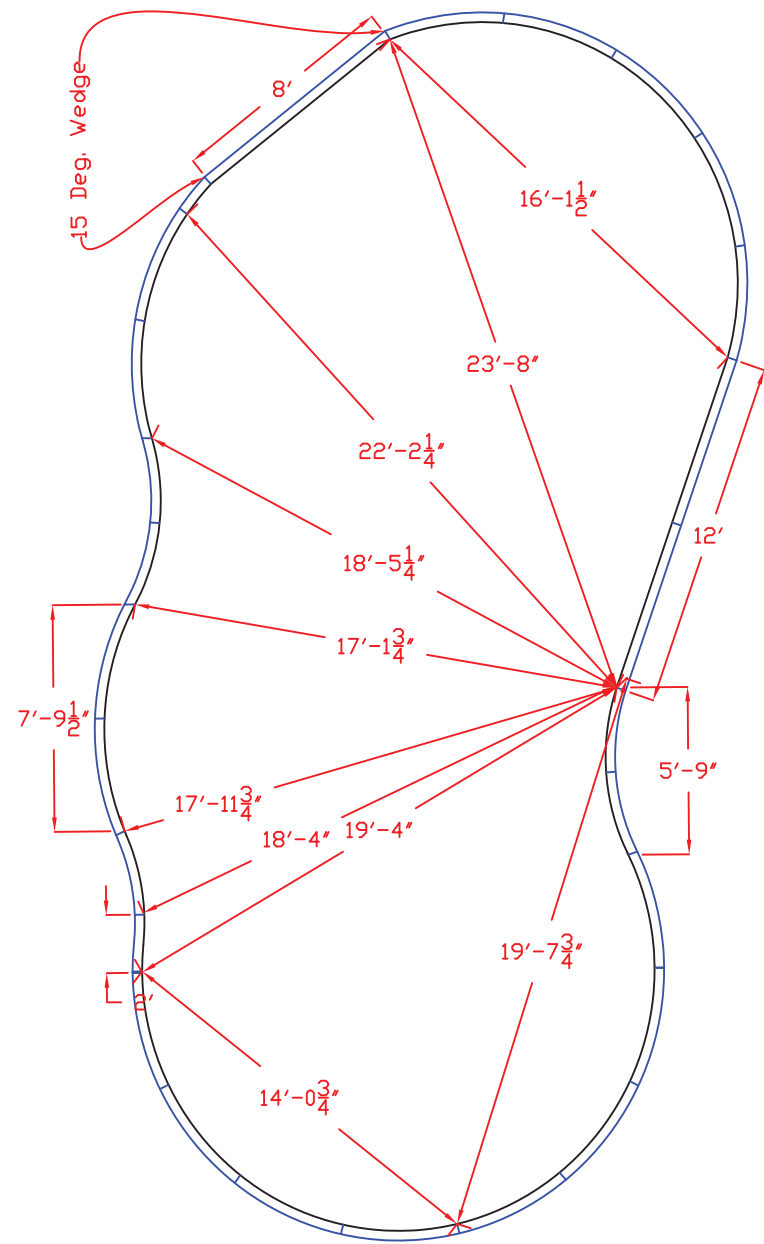
DATE 04/30/10	DRAWN BY JMH	SIZE B	SCALE NTS	DWG NO. 1 of 2	REV 0
------------------	-----------------	-----------	--------------	-------------------	----------



POOL BUILDERS SUPPLY 1124 CENTRAL AVE. CHARLOTTE, NC 28204		THIS DRAWING IS THE PROPERTY OF POOL BUILDERS SUPPLY AND IS LOANED FOR CONFIDENTIAL USE ONLY, AND SHOULD NOT BE COPIED OR USED FOR ANY PURPOSE DETRIMENTAL TO THE INTEREST OF POOL BUILDERS SUPPLY.			
		18' X 29' X 35' LAGOON RIGHT - POLY			
DATE	DRAWN BY	SIZE	SCALE	DWG NO.	REV
04/30/10	JMH	B	NTS	2 OF 2	0

LIST OF MATERIALS

PART	QUANTITY	PART #
8' STEP	1	PBS-8
6' PLAIN	2	K23035
1'-3" PLAIN	1	K23027
2' PLAIN	1	K23028
9' RADIUS	17	K23034
7'-6" REV. RAD.	5	K23035
BRACE	27	POLY BRACE



GENERAL NOTES:

This is a Type II pool & Type II diving equipment must be used. Consult diving board manufacturer's specifications.

This drawing is for illustrative purposes only. Dealer/ builder is an independent contractor and not an agent or employee of Pool Builders Supply. Pool Builders Supply makes no representations other than that which is stated in its written warranty. The customer or Dealer/ Builder is responsible for all construction methods and conforming to all building codes.

Safety rope must be installed 1ft. from break on shallow side.

No diving placards must be used in the shallow end.

PERIMETER: 106'-7"
S.A.: 694.65 SQ.FT.
VOLUME: 25,840 GAL.

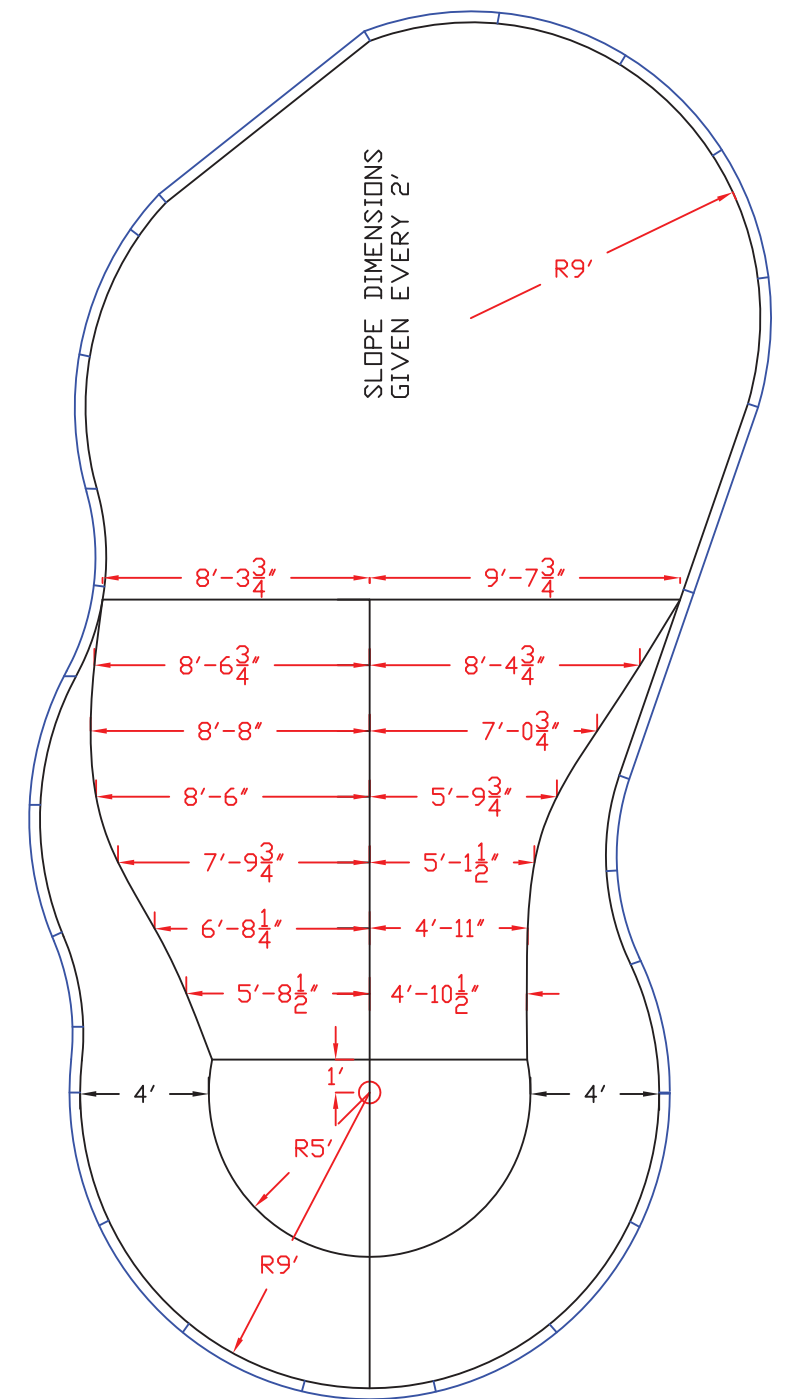
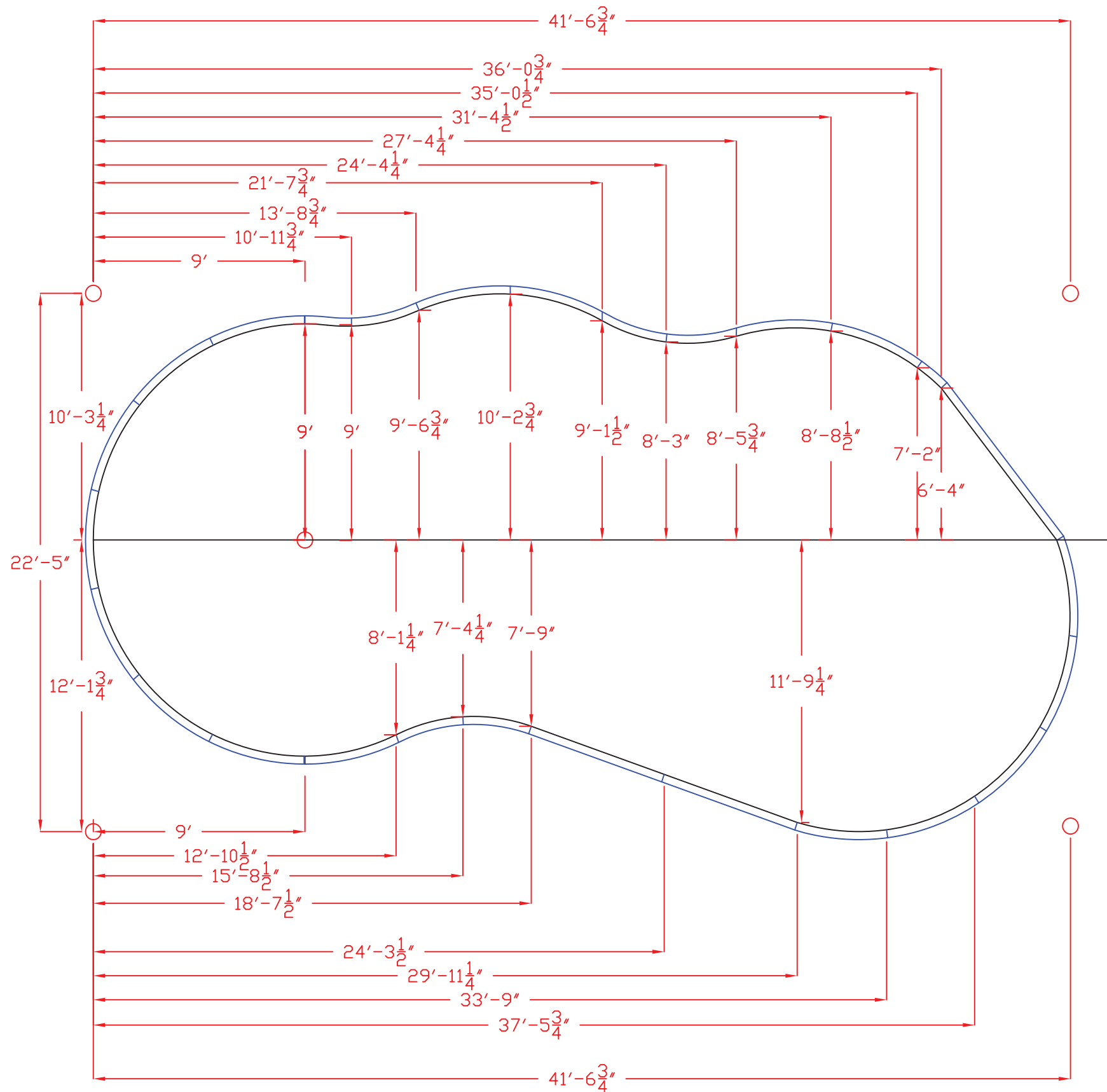
**POOL BUILDERS
SUPPLY**

1124 CENTRAL AVE.
CHARLOTTE, NC
28204

THIS DRAWING IS THE PROPERTY OF POOL BUILDERS SUPPLY AND IS LOANED FOR CONFIDENTIAL USE ONLY, AND SHOULD NOT BE COPIED OR USED FOR ANY PURPOSE DETRIMENTAL TO THE INTEREST OF POOL BUILDERS SUPPLY.

18' X 42' MOUNTAIN POND
LEFT - POLY

DATE 04/21/10	DRAWN BY JMH	SIZE B	SCALE NTS	DWG NO. 1 of 3	REV 0
------------------	-----------------	-----------	--------------	-------------------	----------



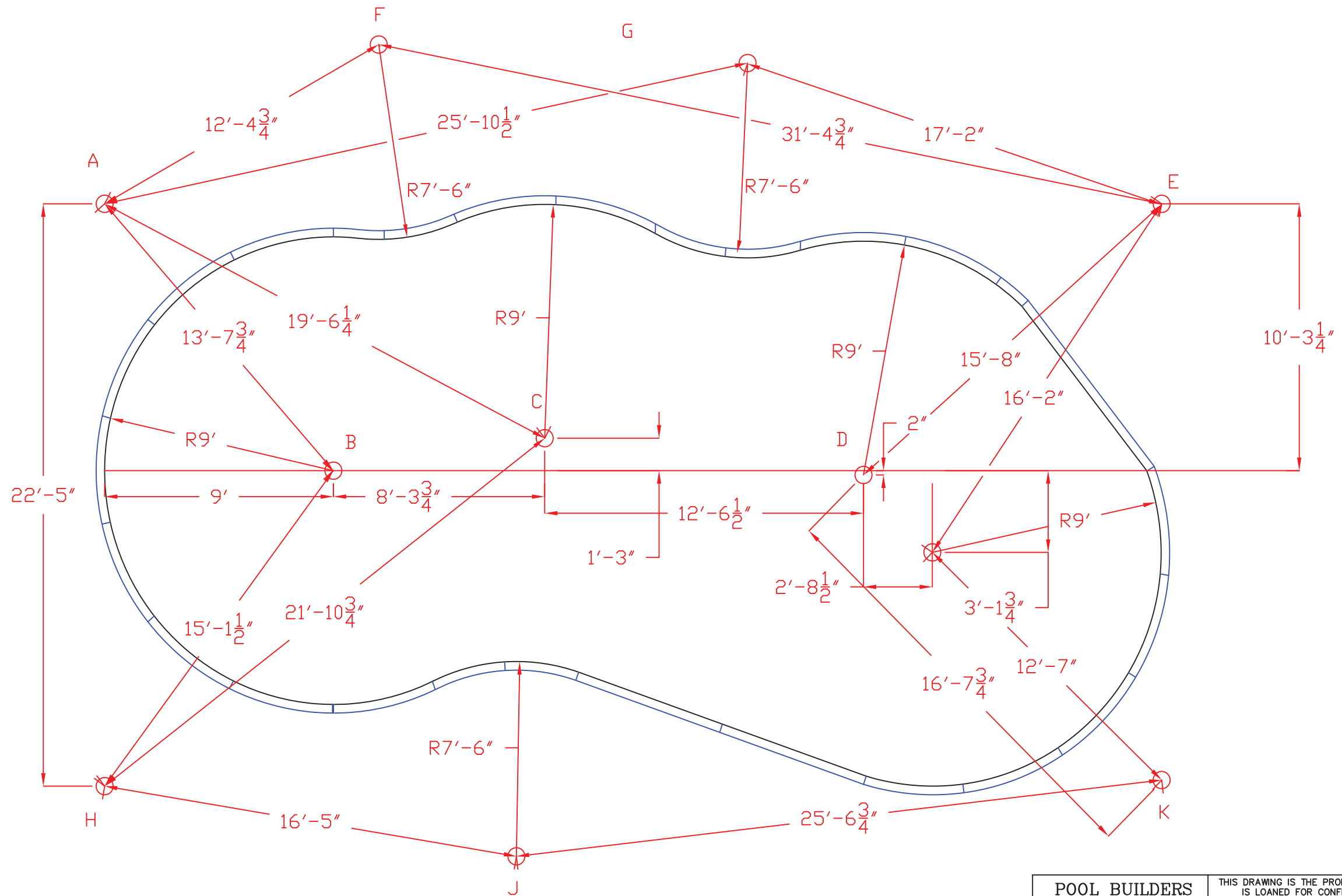
**POOL BUILDERS
SUPPLY**

1124 CENTRAL AVE.
CHARLOTTE, NC
28204

THIS DRAWING IS THE PROPERTY OF POOL BUILDERS SUPPLY AND IS LOANED FOR CONFIDENTIAL USE ONLY. AND SHOULD NOT BE COPIED OR USED FOR ANY PURPOSE DETRIMENTAL TO THE INTEREST OF POOL BUILDERS SUPPLY.

**18' X 42' MOUNTAIN POND
LEFT - POLY**

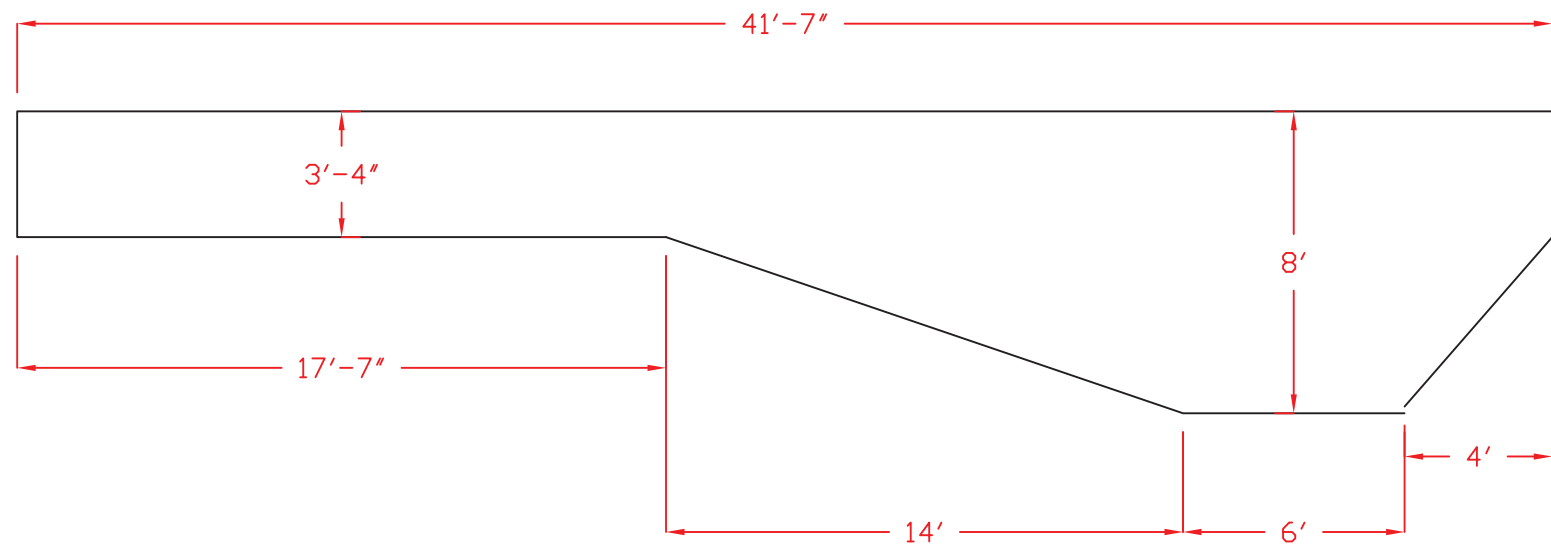
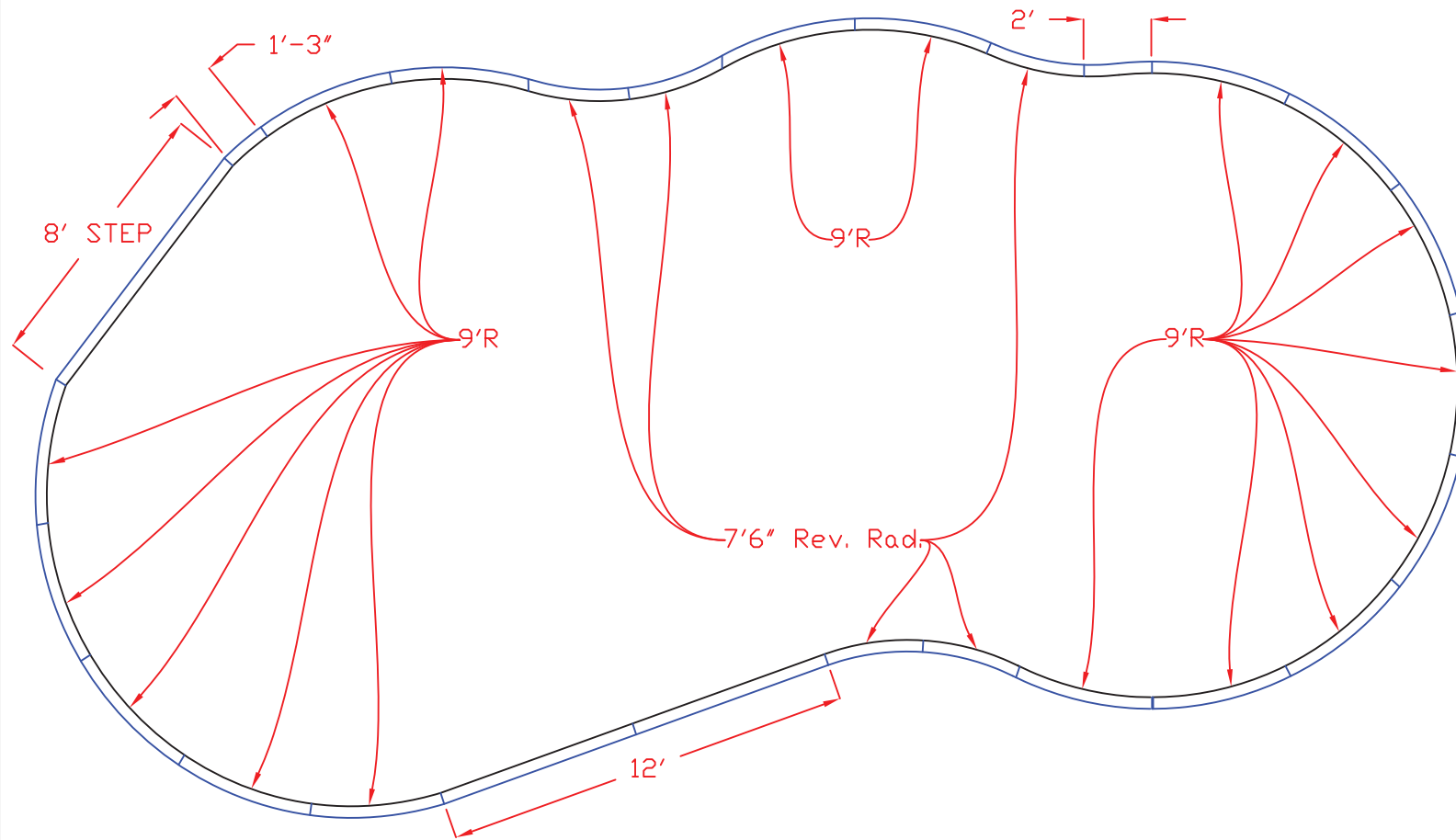
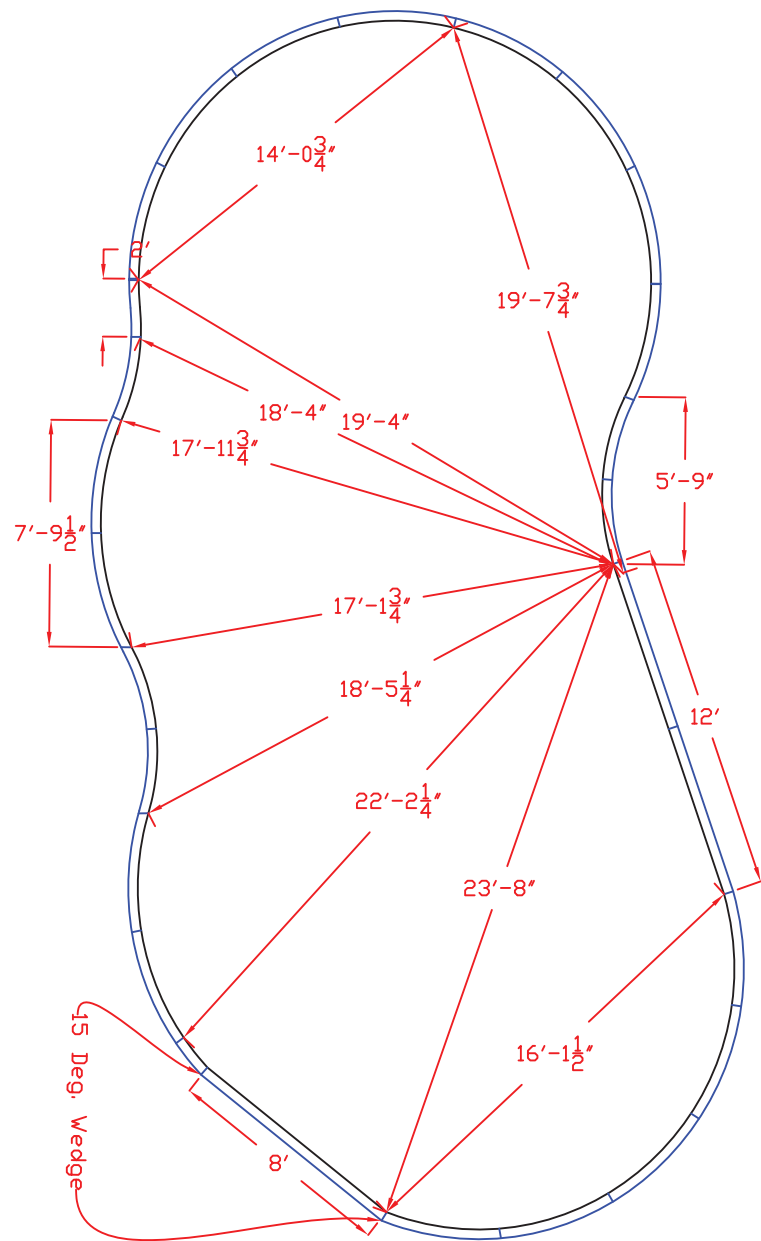
DATE 8/12/08	DRAWN BY JMH	SIZE B	SCALE NTS	DWG NO. 2 OF 3	REV 0
-----------------	-----------------	-----------	--------------	-------------------	----------



POOL BUILDERS SUPPLY 1124 CENTRAL AVE. CHARLOTTE, NC 28204		THIS DRAWING IS THE PROPERTY OF POOL BUILDERS SUPPLY AND IS LOANED FOR CONFIDENTIAL USE ONLY, AND SHOULD NOT BE COPIED OR USED FOR ANY PURPOSE DETRIMENTAL TO THE INTEREST OF POOL BUILDERS SUPPLY.		
		18' X 42' MOUNTAIN POND LEFT - POLY		
DATE	DRAWN BY	SIZE	SCALE	DWG NO.
8/12/08	JMH	B	NTS	3 OF 3
				REV 0

LIST OF MATERIALS

PART	QUANTITY	PART #
8' STEP	1	PBS-8
6' PLAIN	2	K23035
1'-3" PLAIN	1	K23027
2' PLAIN	1	K23028
9' RADIUS	17	K23034
7'-6" REV. RAD.	5	K23035
BRACE	27	POLY BRACE



GENERAL NOTES:
 This is a Type II pool & Type II diving equipment must be used. Consult diving board manufacturer's specifications.

This drawing is for illustrative purposes only. Dealer/ builder is an independent contractor and not an agent or employee of Pool Builders Supply.

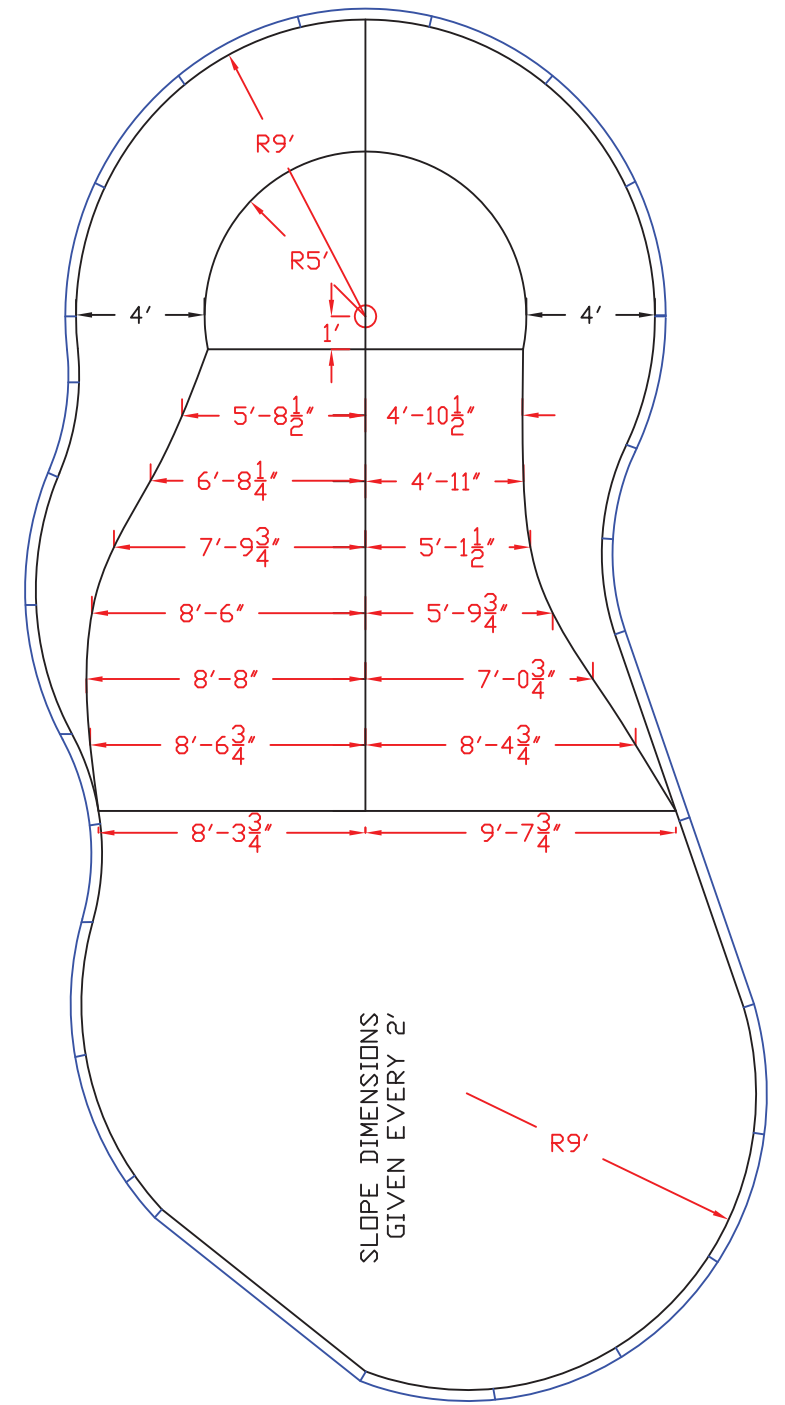
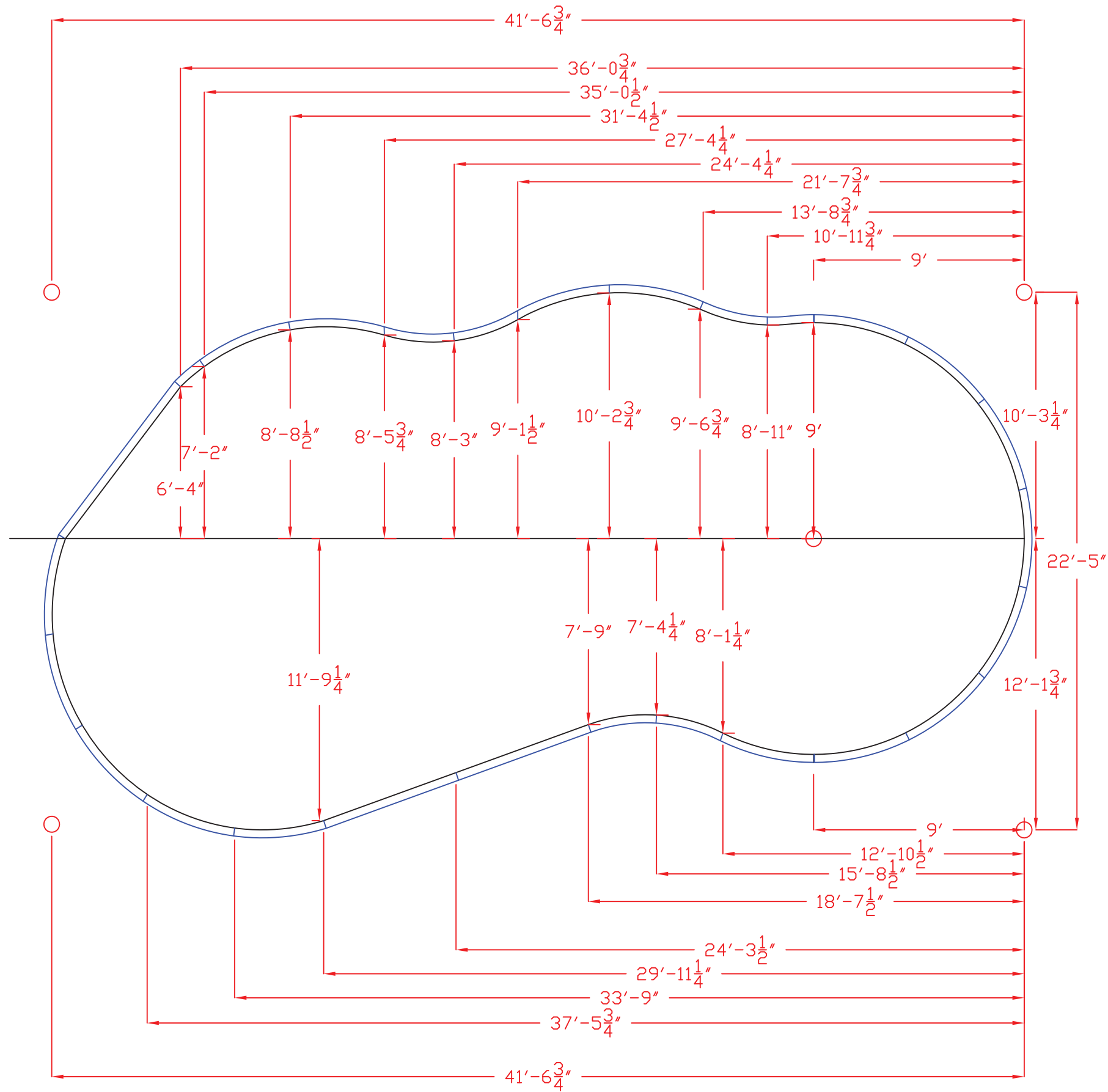
Pool Builders Supply makes no representations other than that which is stated in its written warranty. The customer or Dealer/ Builder is responsible for all construction methods and conforming to all building codes.

Safety rope must be installed 1ft. from break on shallow side.

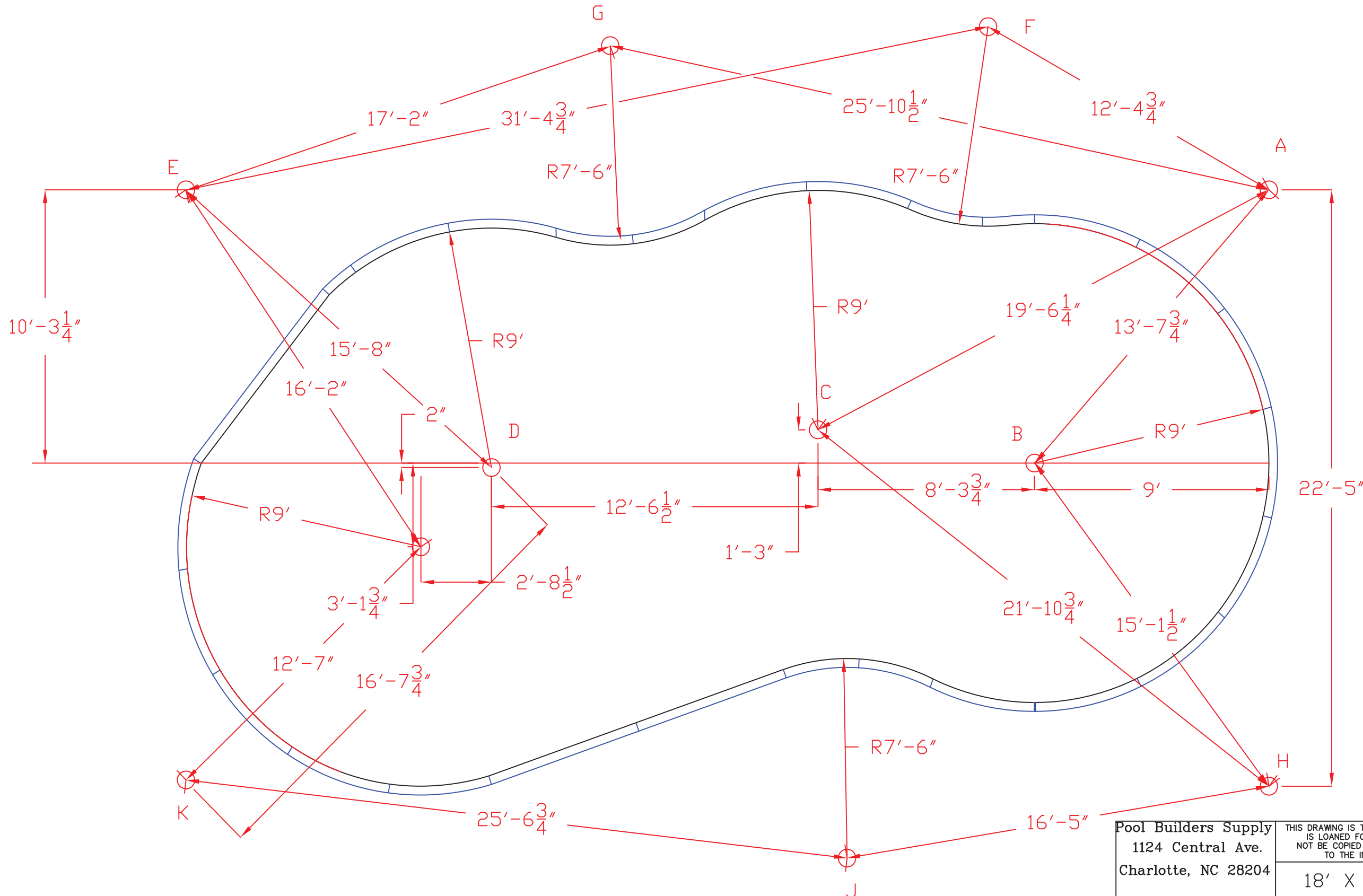
No diving placards must be used in the shallow end.

PERIMETER: 106'-7"
S.A. : 694.65 SQ.FT.
VOLUME: 25,840 GAL.

Pool Builders Supply 1124 Central Ave. Charlotte, NC 28204		THIS DRAWING IS THE PROPERTY OF POOL BUILDERS SUPPLY AND IS LOANED FOR CONFIDENTIAL USE ONLY, AND SHOULD NOT BE COPIED OR USED FOR ANY PURPOSE DETRIMENTAL TO THE INTEREST OF POOL BUILDERS SUPPLY.	
DATE: 04/21/10		DRAWN BY: JMH	
SIZE: B	SCALE: NTS	DWG NO.: 1 of 3	REV: 0



Pool Builders Supply 1124 Central Ave. Charlotte, NC 28204		THIS DRAWING IS THE PROPERTY OF POOL BUILDERS SUPPLY AND IS LOANED FOR CONFIDENTIAL USE ONLY, AND SHOULD NOT BE COPIED OR USED FOR ANY PURPOSE DETRIMENTAL TO THE INTEREST OF POOL BUILDERS SUPPLY.			
		18' X 42' MOUNTAIN POND RIGHT - POLY			
DATE	DRAWN BY	SIZE	SCALE	DWG NO.	REV
8/12/08	JMH	B	NTS	2 OF 3	0



Pool Builders Supply
 1124 Central Ave.
 Charlotte, NC 28204

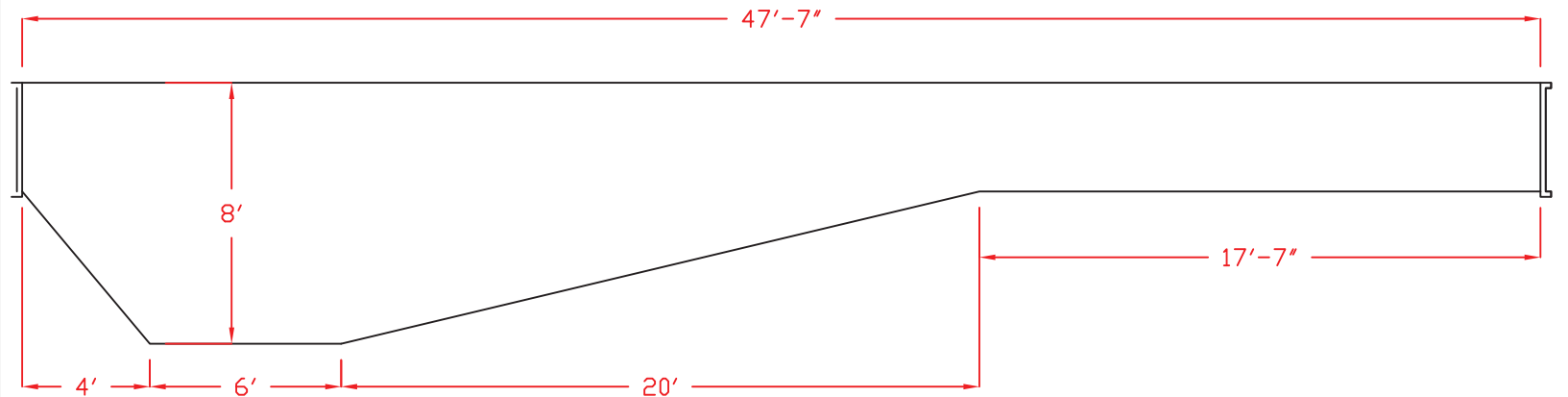
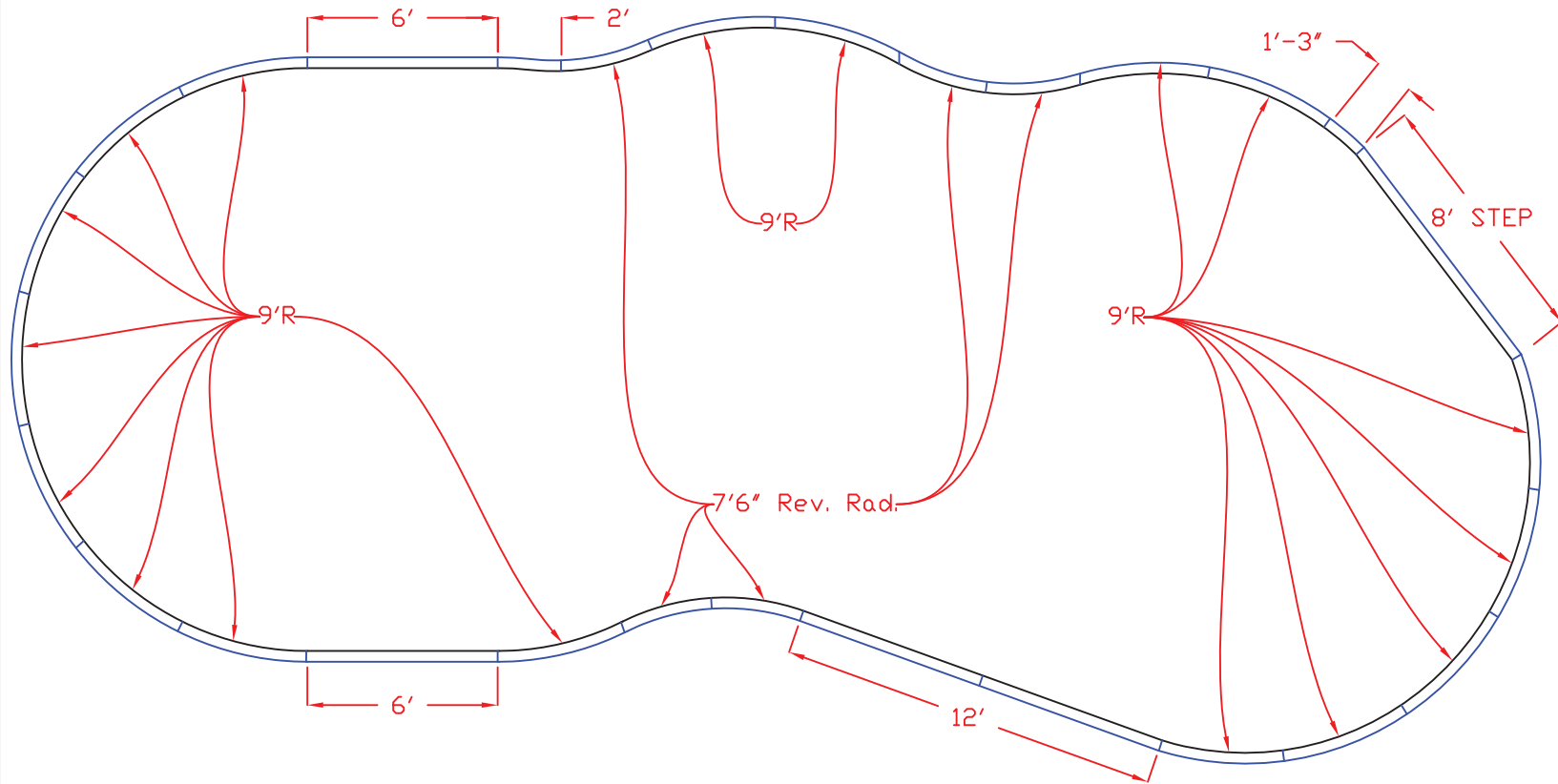
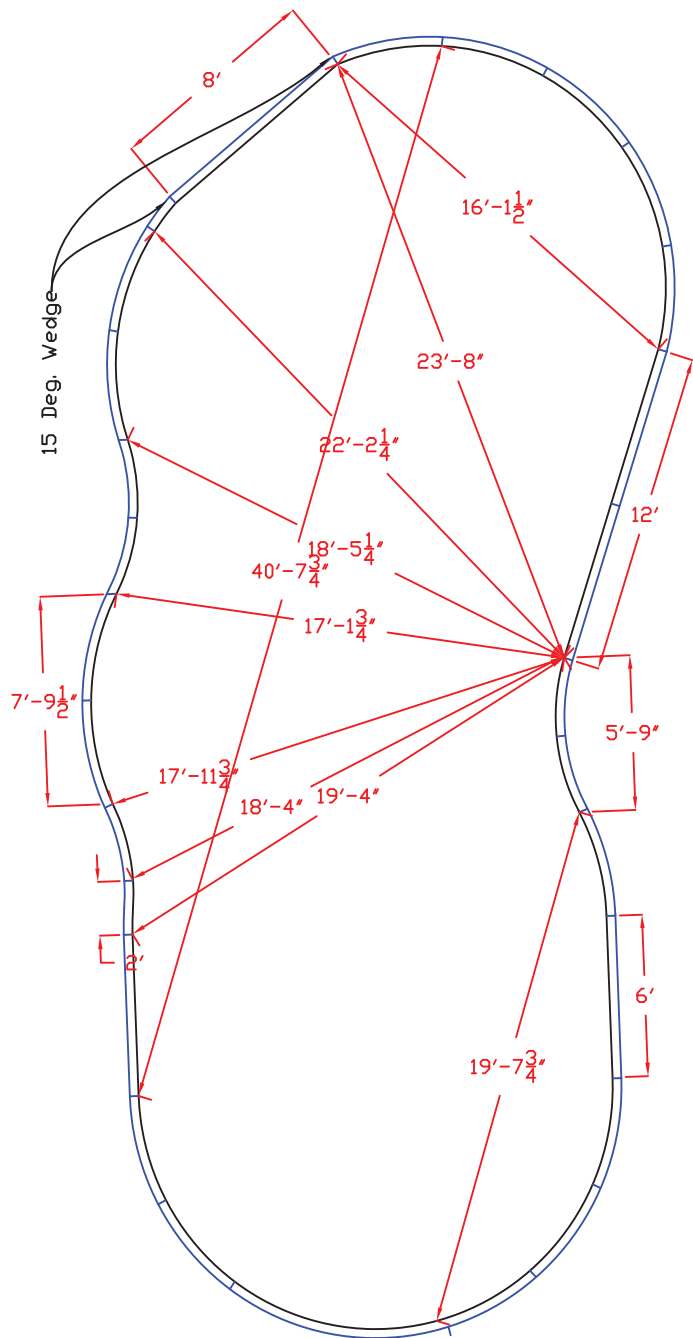
THIS DRAWING IS THE PROPERTY OF POOL BUILDERS SUPPLY AND IS LOANED FOR CONFIDENTIAL USE ONLY, AND SHOULD NOT BE COPIED OR USED FOR ANY PURPOSE DETRIMENTAL TO THE INTEREST OF POOL BUILDERS SUPPLY.

18' X 42' MOUNTAIN POND
 RIGHT - POLY

DATE 8/12/08	DRAWN BY JMH	SIZE B	SCALE NTS	DWG NO. 3 OF 3	REV 0
-----------------	-----------------	-----------	--------------	-------------------	----------

LIST OF MATERIALS

PART	QUANTITY	PART #
8' STEP	1	PBS-8
6' PLAIN	4	K23035
1'-3" PLAIN	1	K23027
2' PLAIN	1	K23028
9' RADIUS	17	K23034
7'-6" REV. RAD.	5	K23035
BRACE	22	POLY BRACE



GENERAL NOTES:
 This is a Type II pool & Type II diving equipment must be used. Consult diving board manufacturer's specifications.

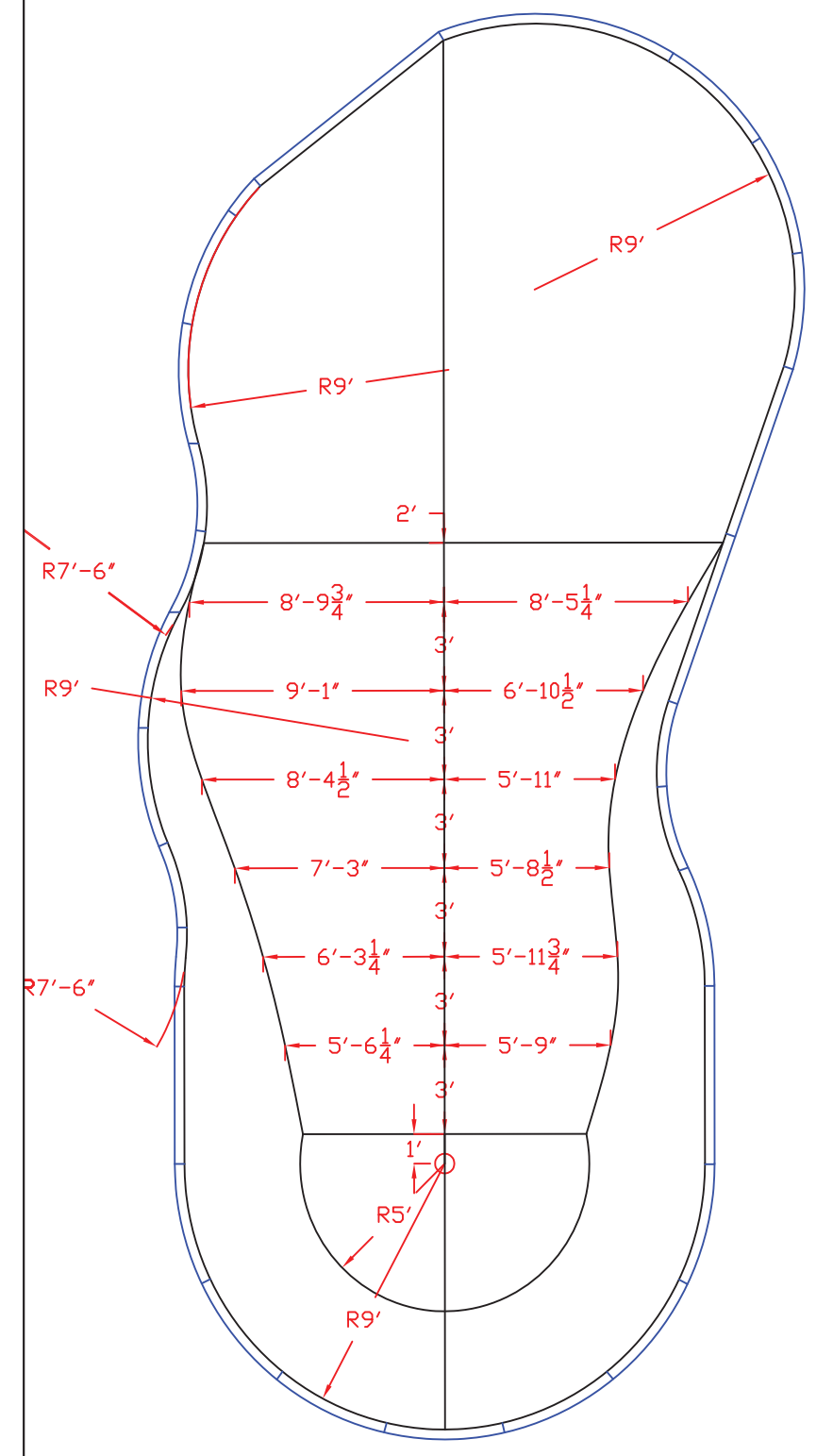
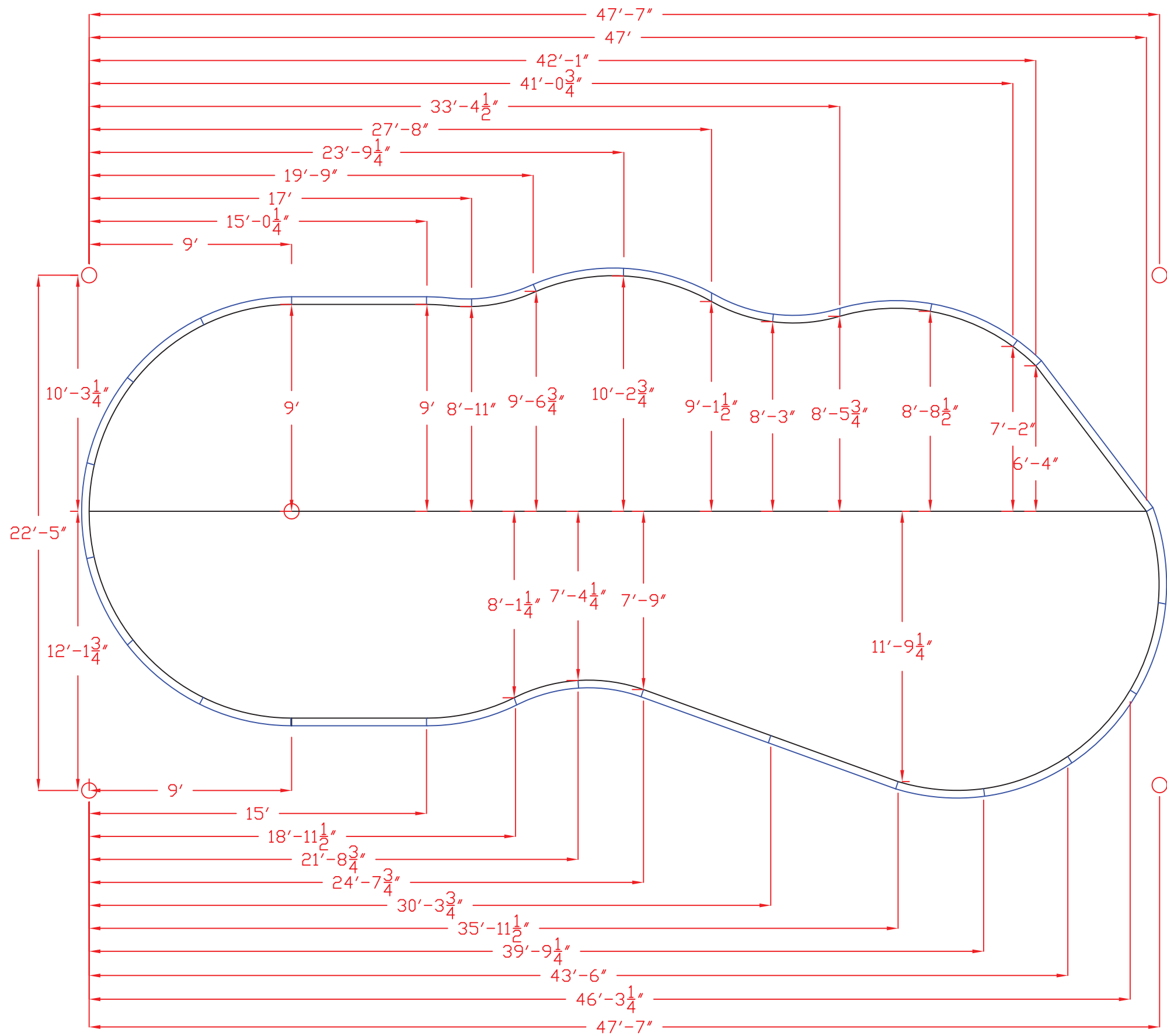
This drawing is for illustrative purposes only. Dealer/ builder is an independent contractor and not an agent or employee of Pool Builders Supply. Pool Builders Supply makes no representations other than that which is stated in its written warranty. The customer or Dealer/ Builder is responsible for all construction methods and conforming to all building codes.

Safety rope must be installed 1ft. from break on shallow side.

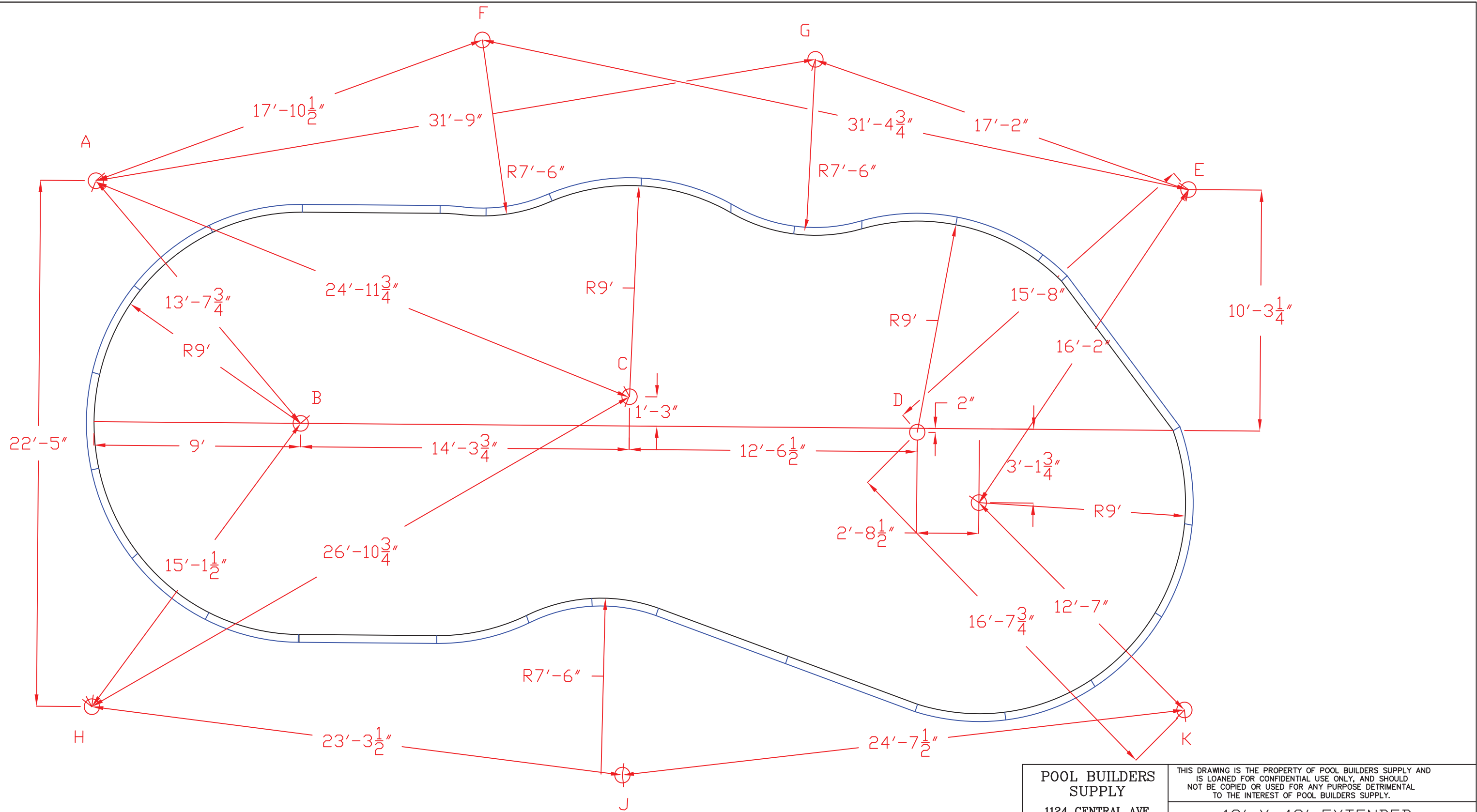
No diving placards must be used in the shallow end.

PERIMETER: 118'-7"
S.A. : 802.65 SQ.FT.
VOLUME: 29,566 GAL.

POOL BUILDERS SUPPLY 1124 CENTRAL AVE. CHARLOTTE, NC 28204		THIS DRAWING IS THE PROPERTY OF POOL BUILDERS SUPPLY AND IS LOANED FOR CONFIDENTIAL USE ONLY, AND SHOULD NOT BE COPIED OR USED FOR ANY PURPOSE DETRIMENTAL TO THE INTEREST OF POOL BUILDERS SUPPLY.	
DATE: 04/21/10		DRAWN BY: JMH	
SIZE: B	SCALE: NTS	DWG NO.: 1 of 3	REV: 0



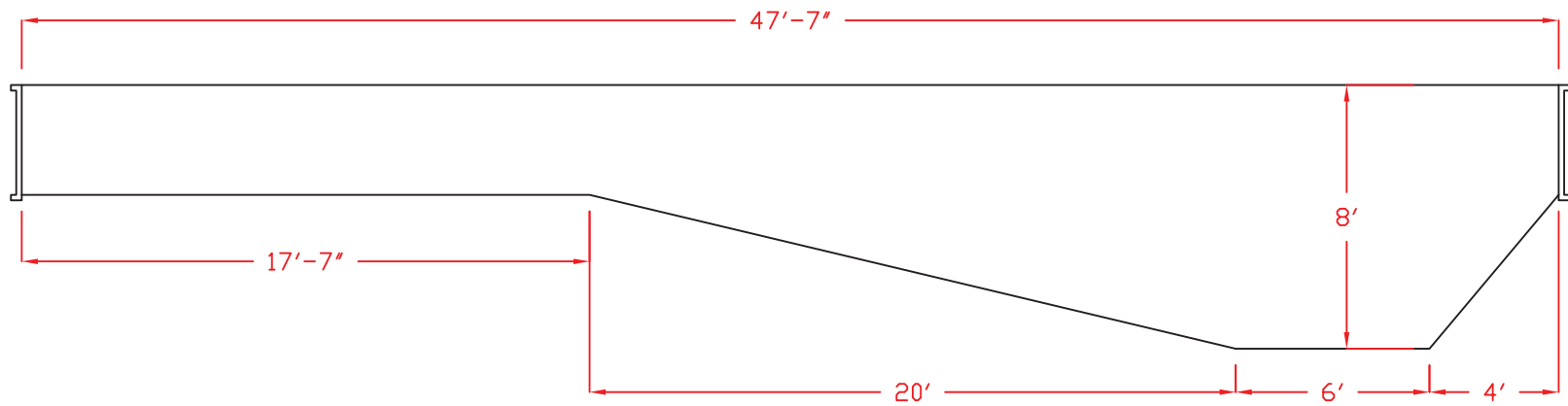
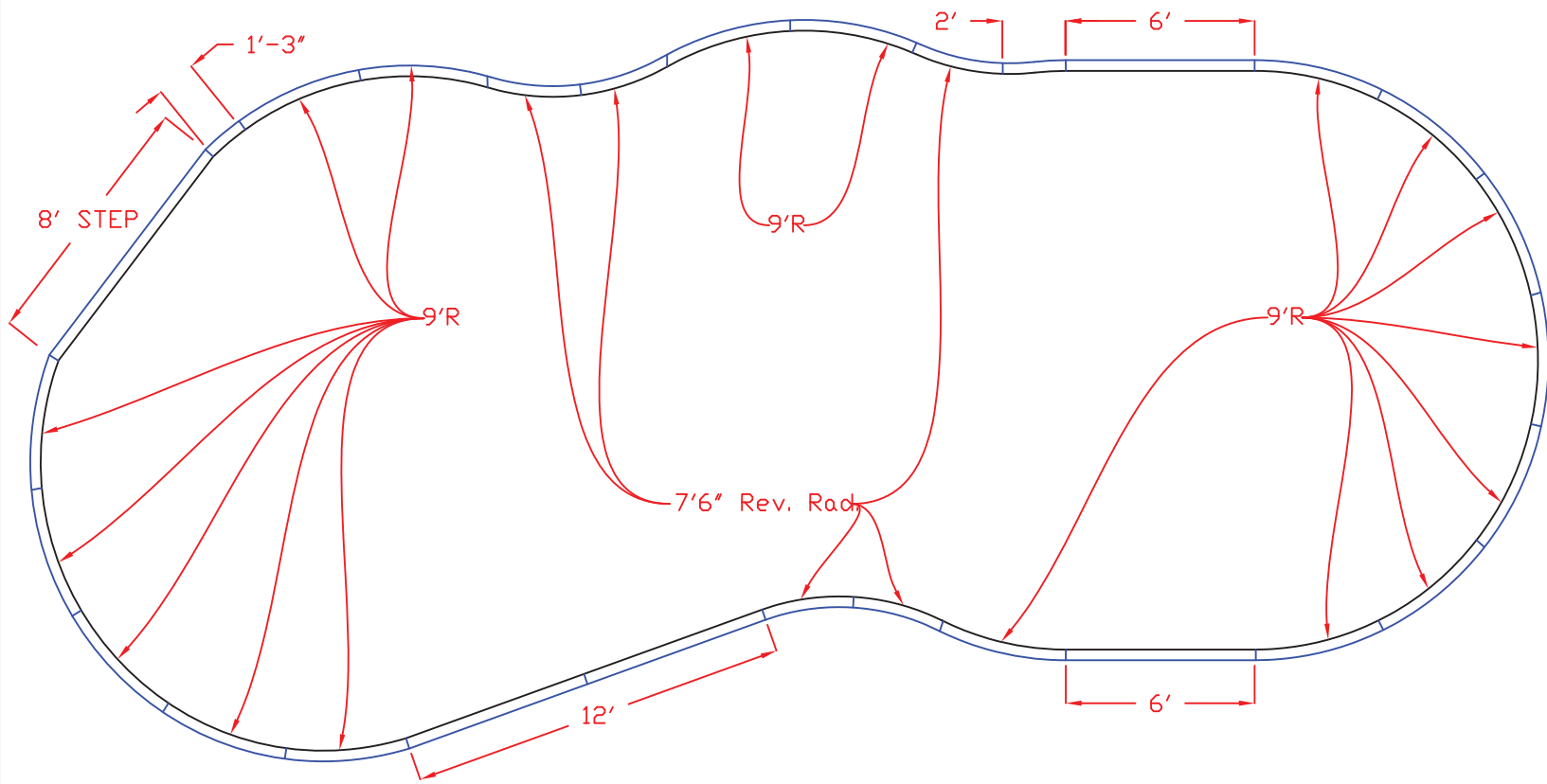
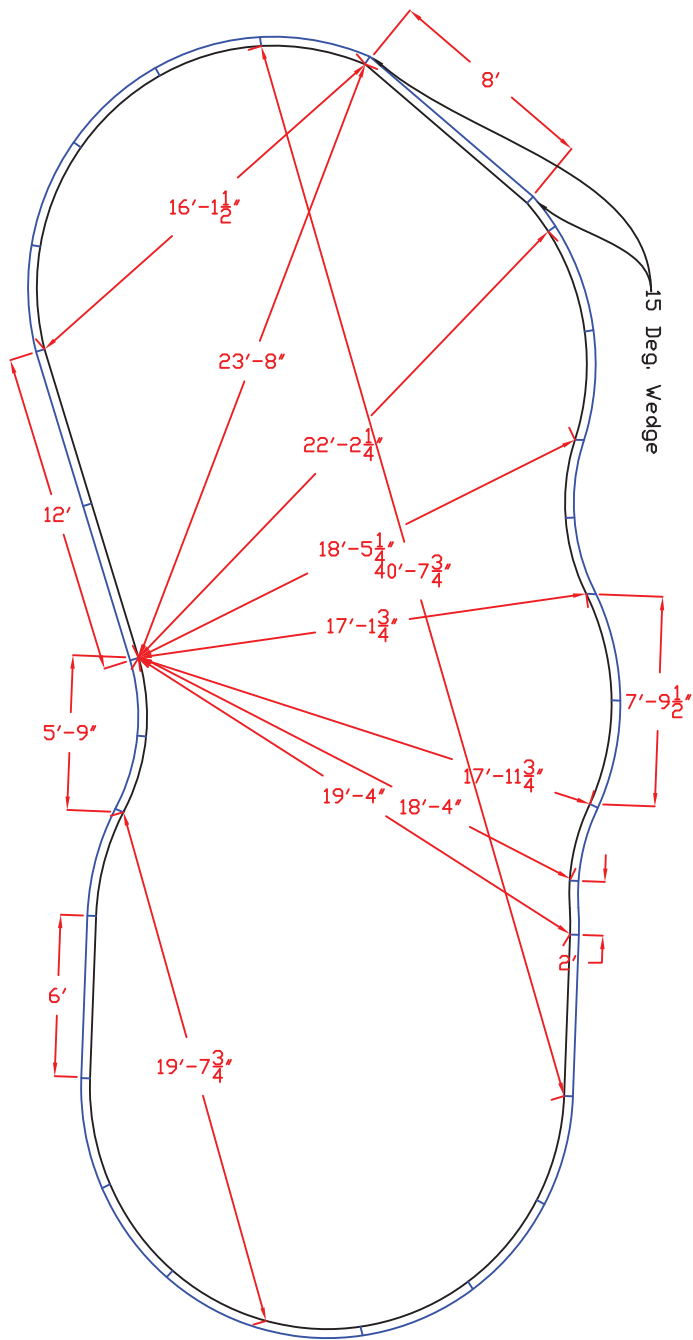
POOL BUILDERS SUPPLY 1124 CENTRAL AVE. CHARLOTTE, NC 28204		THIS DRAWING IS THE PROPERTY OF POOL BUILDERS SUPPLY AND IS LOANED FOR CONFIDENTIAL USE ONLY, AND SHOULD NOT BE COPIED OR USED FOR ANY PURPOSE DETRIMENTAL TO THE INTEREST OF POOL BUILDERS SUPPLY.	
DATE 8/12/08		DRAWN BY JMH	
SIZE B		SCALE NTS	
DWG NO. 2 OF 3		REV 0	



POOL BUILDERS SUPPLY 1124 CENTRAL AVE. CHARLOTTE, NC 28204		THIS DRAWING IS THE PROPERTY OF POOL BUILDERS SUPPLY AND IS LOANED FOR CONFIDENTIAL USE ONLY, AND SHOULD NOT BE COPIED OR USED FOR ANY PURPOSE DETRIMENTAL TO THE INTEREST OF POOL BUILDERS SUPPLY.			
		18' X 48' EXTENDED MOUNTAIN POND LEFT - POLY			
DATE	DRAWN BY	SIZE	SCALE	DWG NO.	REV
8/12/08	JMH	B	NTS	3 OF 3	0

LIST OF MATERIALS

PART	QUANTITY	PART #
8' STEP	1	PBS-8
6' PLAIN	4	K23035
1'-3" PLAIN	1	K23027
2' PLAIN	1	K23028
9' RADIUS	17	K23034
7'-6" REV. RAD.	5	K23035
BRACE	22	POLY BRACE



GENERAL NOTES:
 This is a Type II pool & Type II diving equipment must be used. Consult diving board manufacturer's specifications.

This drawing is for illustrative purposes only. Dealer/ builder is an independent contractor and not an agent or employee of Pool Builders Supply. Pool Builders Supply makes no representations other than that which is stated in its written warranty. The customer or Dealer/ Builder is responsible for all construction methods and conforming to all building codes.

Safety rope must be installed 1ft. from break on shallow side.

No diving placards must be used in the shallow end.

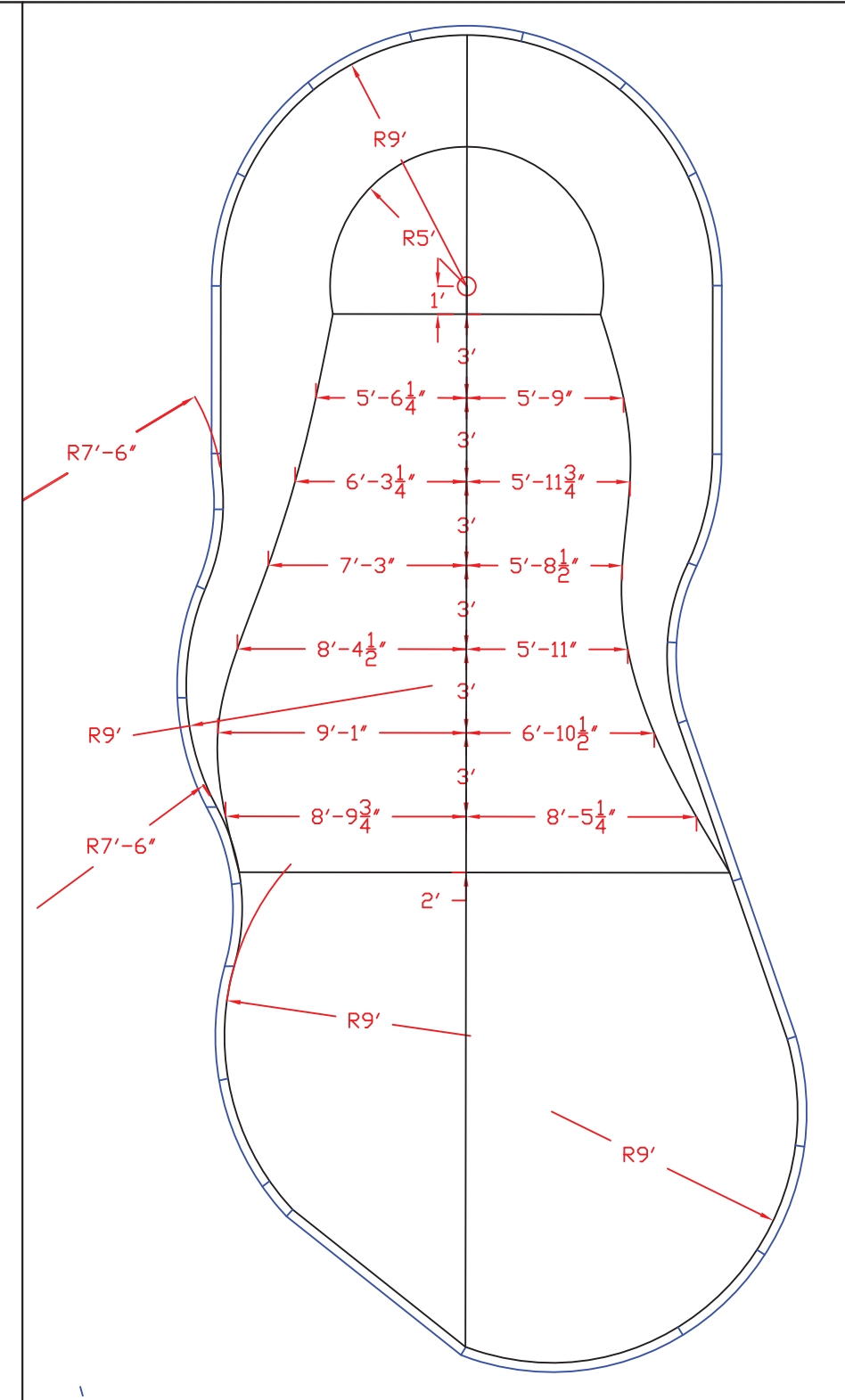
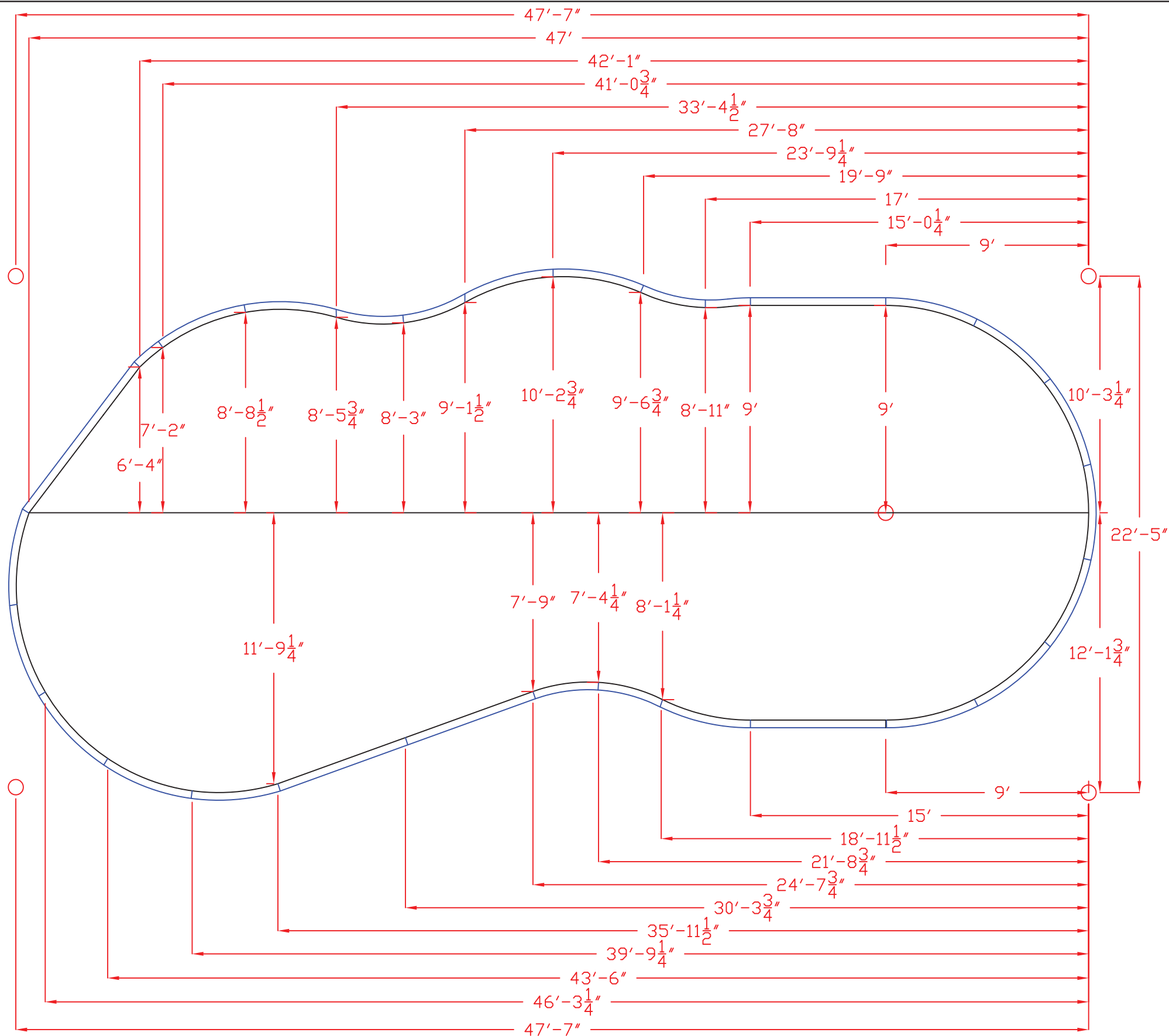
PERIMETER: 118'-7"
S.A. : 802.65 SQ.FT.
VOLUME: 29,566 GAL.

POOL BUILDERS SUPPLY
 1124 CENTRAL AVE.
 CHARLOTTE, NC
 28204

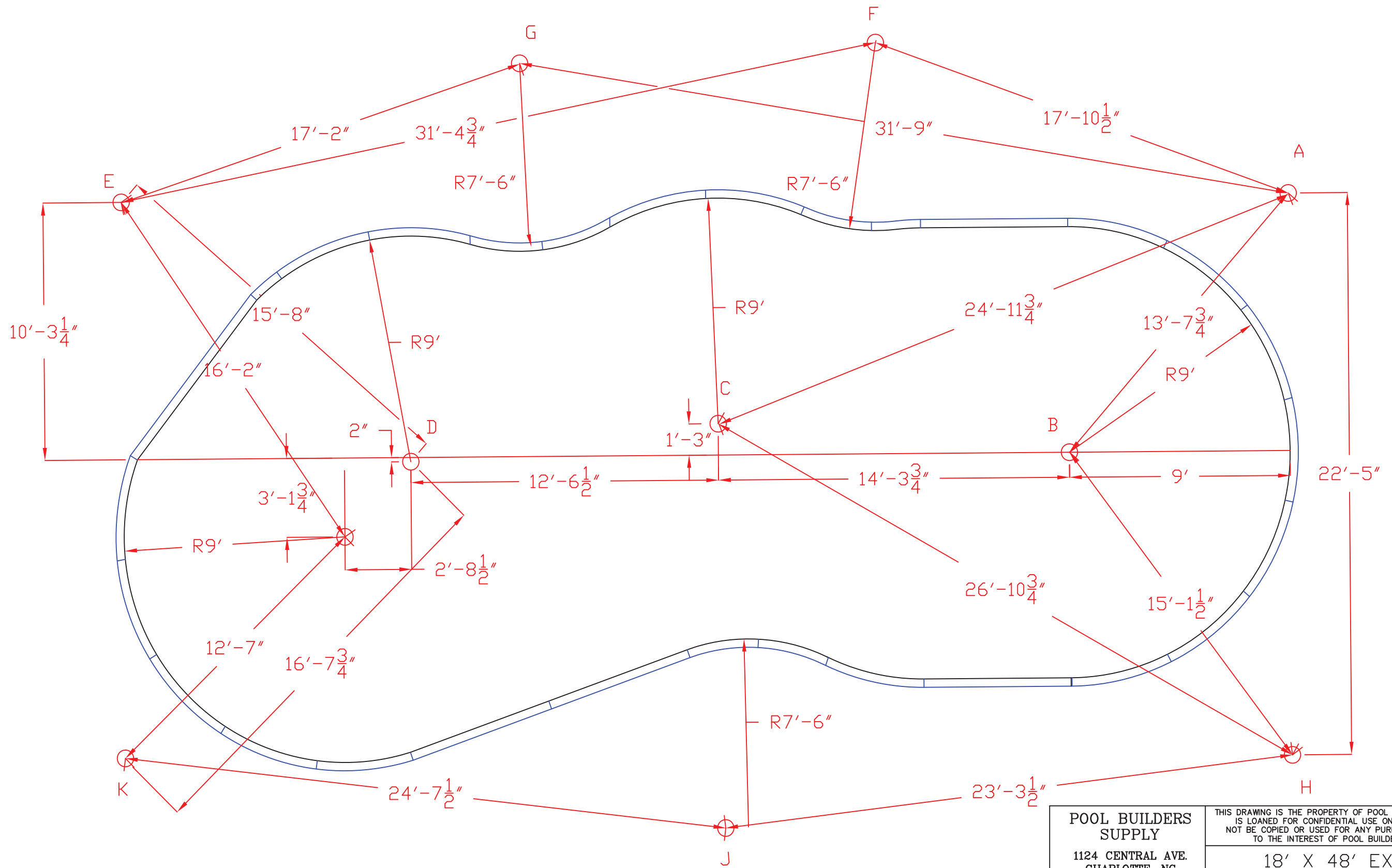
THIS DRAWING IS THE PROPERTY OF POOL BUILDERS SUPPLY AND IS LOANED FOR CONFIDENTIAL USE ONLY, AND SHOULD NOT BE COPIED OR USED FOR ANY PURPOSE DETRIMENTAL TO THE INTEREST OF POOL BUILDERS SUPPLY.

18' X 48' EXTENDED MOUNTAIN POND RIGHT - POLY

DATE 04/21/10	DRAWN BY JMH	SIZE B	SCALE NTS	DWG NO. 1 of 3	REV 0
------------------	-----------------	-----------	--------------	-------------------	----------



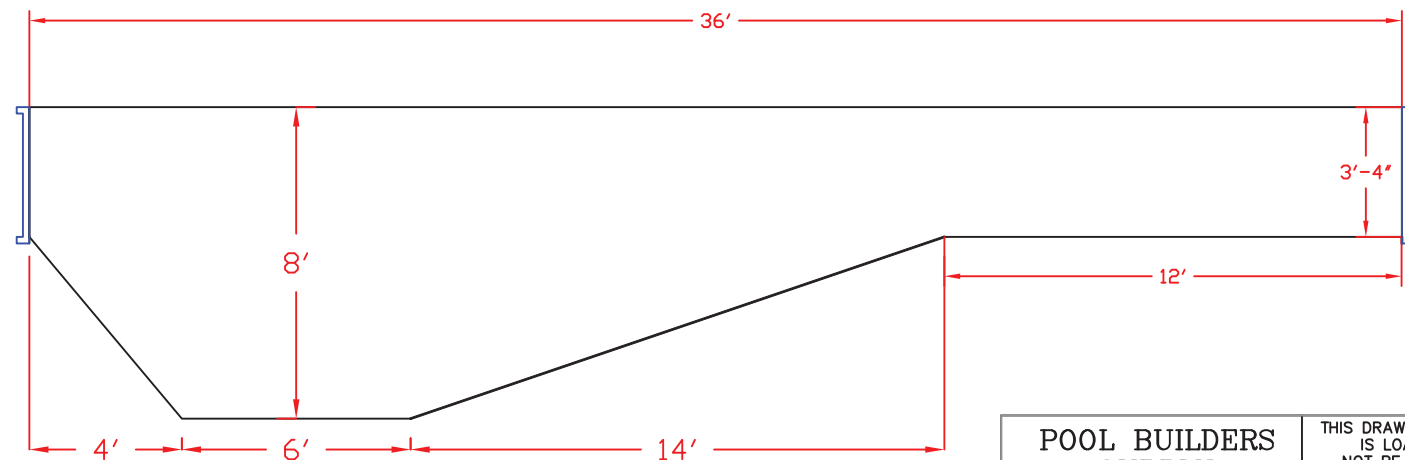
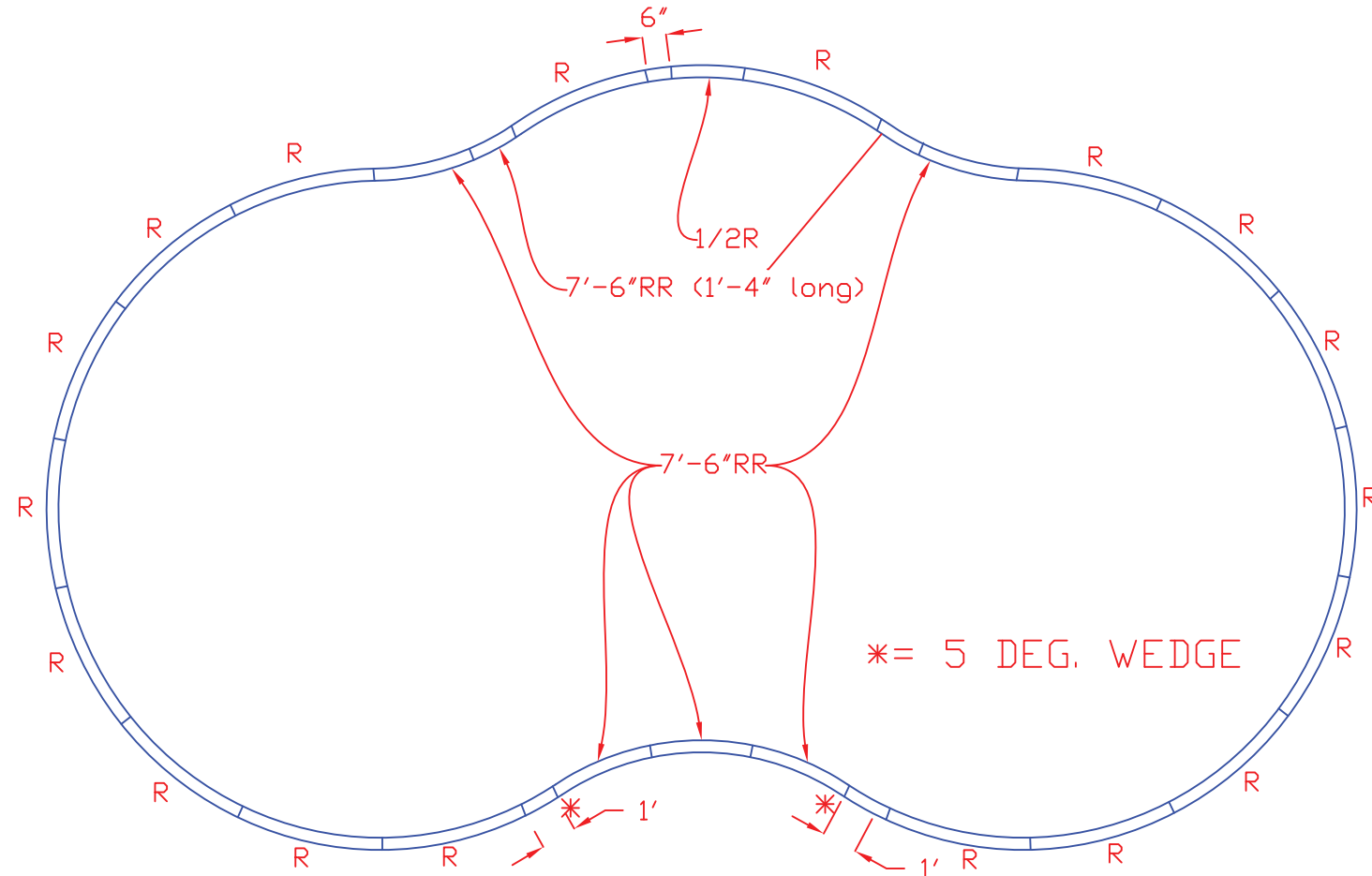
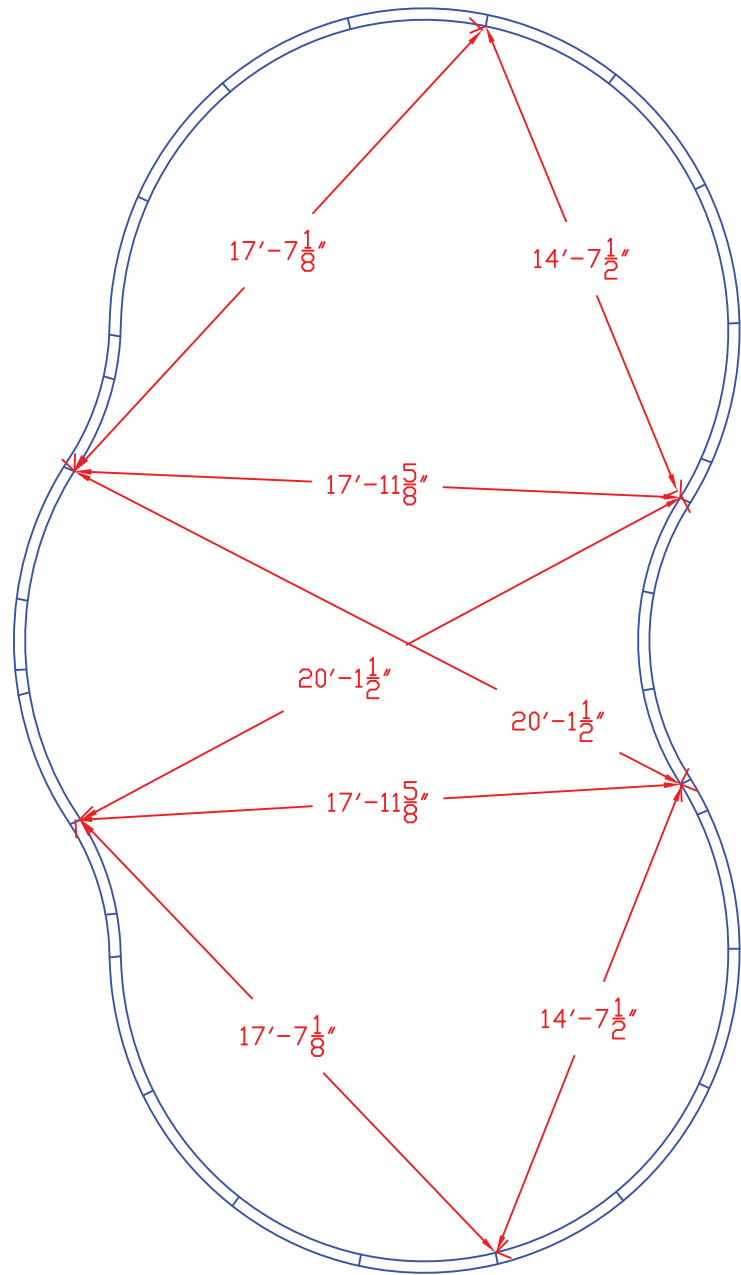
POOL BUILDERS SUPPLY 1124 CENTRAL AVE. CHARLOTTE, NC 28204		THIS DRAWING IS THE PROPERTY OF POOL BUILDERS SUPPLY AND IS LOANED FOR CONFIDENTIAL USE ONLY, AND SHOULD NOT BE COPIED OR USED FOR ANY PURPOSE DETRIMENTAL TO THE INTEREST OF POOL BUILDERS SUPPLY.			
18' X 48' EXTENDED MOUNTAIN POND RIGHT - POLY					
DATE	DRAWN BY	SIZE	SCALE	DWG NO.	REV
8/12/08	JMH	B	NTS	2 OF 3	0



POOL BUILDERS SUPPLY 1124 CENTRAL AVE. CHARLOTTE, NC 28204		THIS DRAWING IS THE PROPERTY OF POOL BUILDERS SUPPLY AND IS LOANED FOR CONFIDENTIAL USE ONLY, AND SHOULD NOT BE COPIED OR USED FOR ANY PURPOSE DETRIMENTAL TO THE INTEREST OF POOL BUILDERS SUPPLY.			
		18' X 48' EXTENDED MOUNTAIN POND RIGHT - POLY			
DATE	DRAWN BY	SIZE	SCALE	DWG NO.	REV
8/12/08	JMH	B	NTS	3 OF 3	0

LIST OF MATERIALS

SYMBOL	PART	QUANTITY
R	9' RADIUS - K23034	18
1/2R	1/2 OF 9'R - K23034-2	1
7'-6"RR	7'-6" REV. RADIUS - K23035	5
N/A	7'-6"RR 1'4" LONG - K23035-2	2
N/A	1' STRAIGHT - K23036	2
N/A	6" STRAIGHT - K23025	1
N/A	BRACE - POLY BRACE	28
*	5 DEG. WEDGE	2



GENERAL NOTES:

This is a Type II pool & Type II diving equipment must be used. Consult diving board manufacturer's specifications.

This drawing is for illustrative purposes only. Dealer/ builder is an independent contractor and not an agent or employee of Pool Builders Supply. Pool Builders Supply makes no representations other than that which is stated in its written warranty. The customer or Dealer/ Builder is responsible for all construction methods and conforming to all building codes.

Safety rope must be installed 1ft. from break on shallow side.

No diving placards must be used in the shallow end.

PERIMETER: 94'-9"

S.A. : 582.25 SQ.FT.

VOLUME: 25,103 GAL.

POOL BUILDERS
SUPPLY

1124 CENTRAL AVE.
CHARLOTTE, NC
28204

DATE
04/22/10

DRAWN BY
JMH

SIZE
B

SCALE
NTS

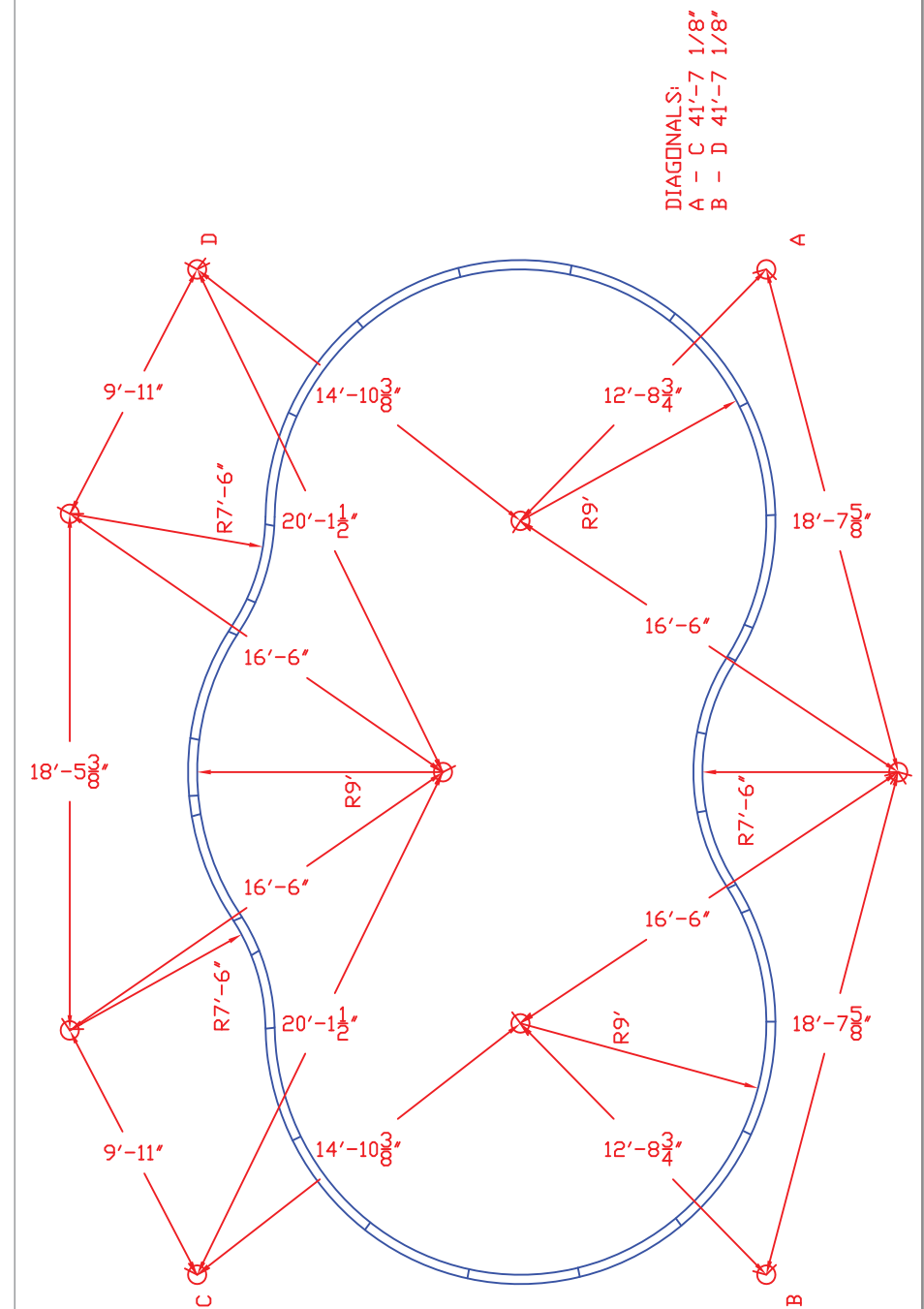
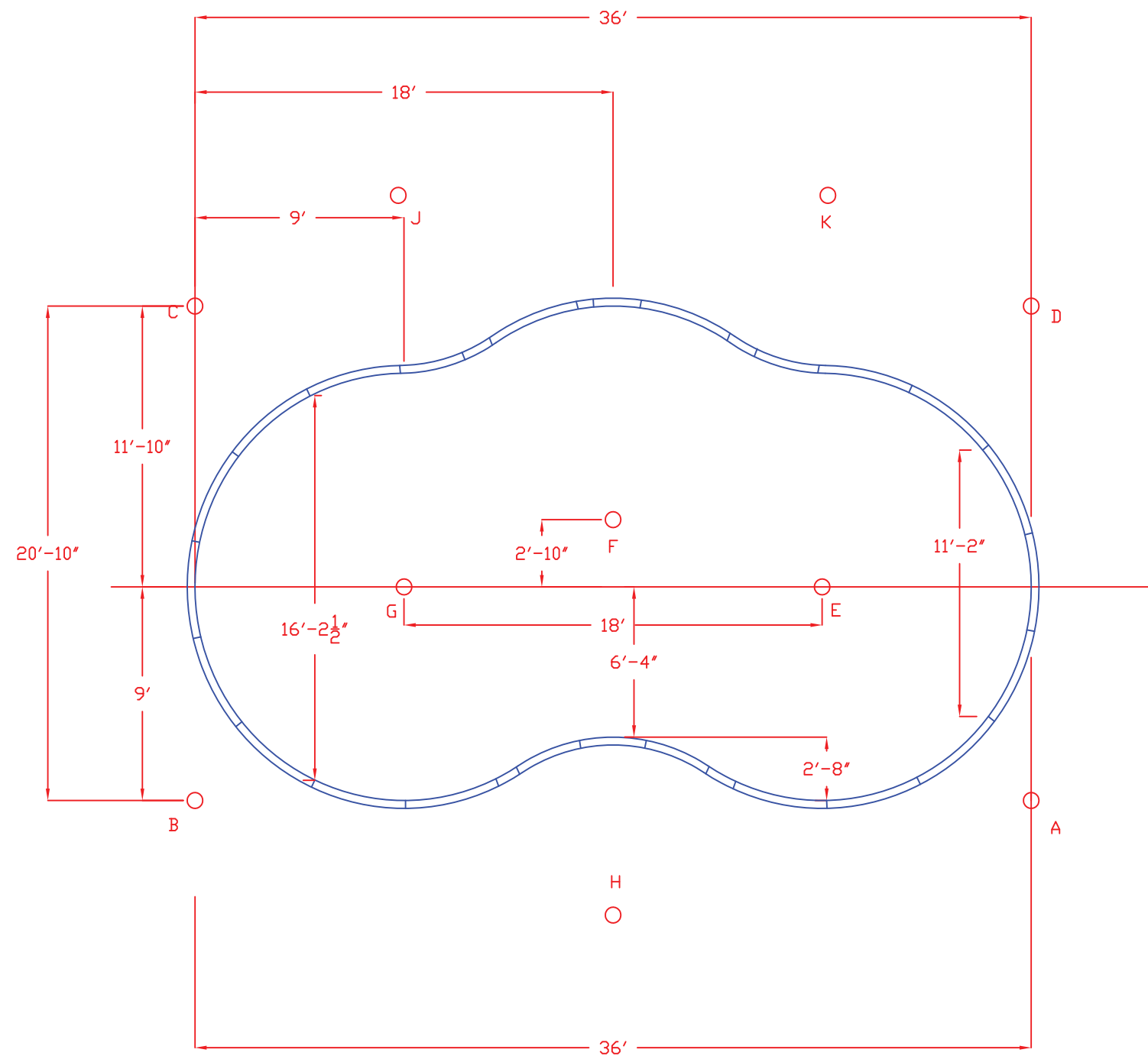
DWG NO.

1 of 3

REV
0

THIS DRAWING IS THE PROPERTY OF POOL BUILDERS SUPPLY AND IS LOANED FOR CONFIDENTIAL USE ONLY, AND SHOULD NOT BE COPIED OR USED FOR ANY PURPOSE DETRIMENTAL TO THE INTEREST OF POOL BUILDERS SUPPLY.

21' X 36' DEER CREEK
LEFT - POLY

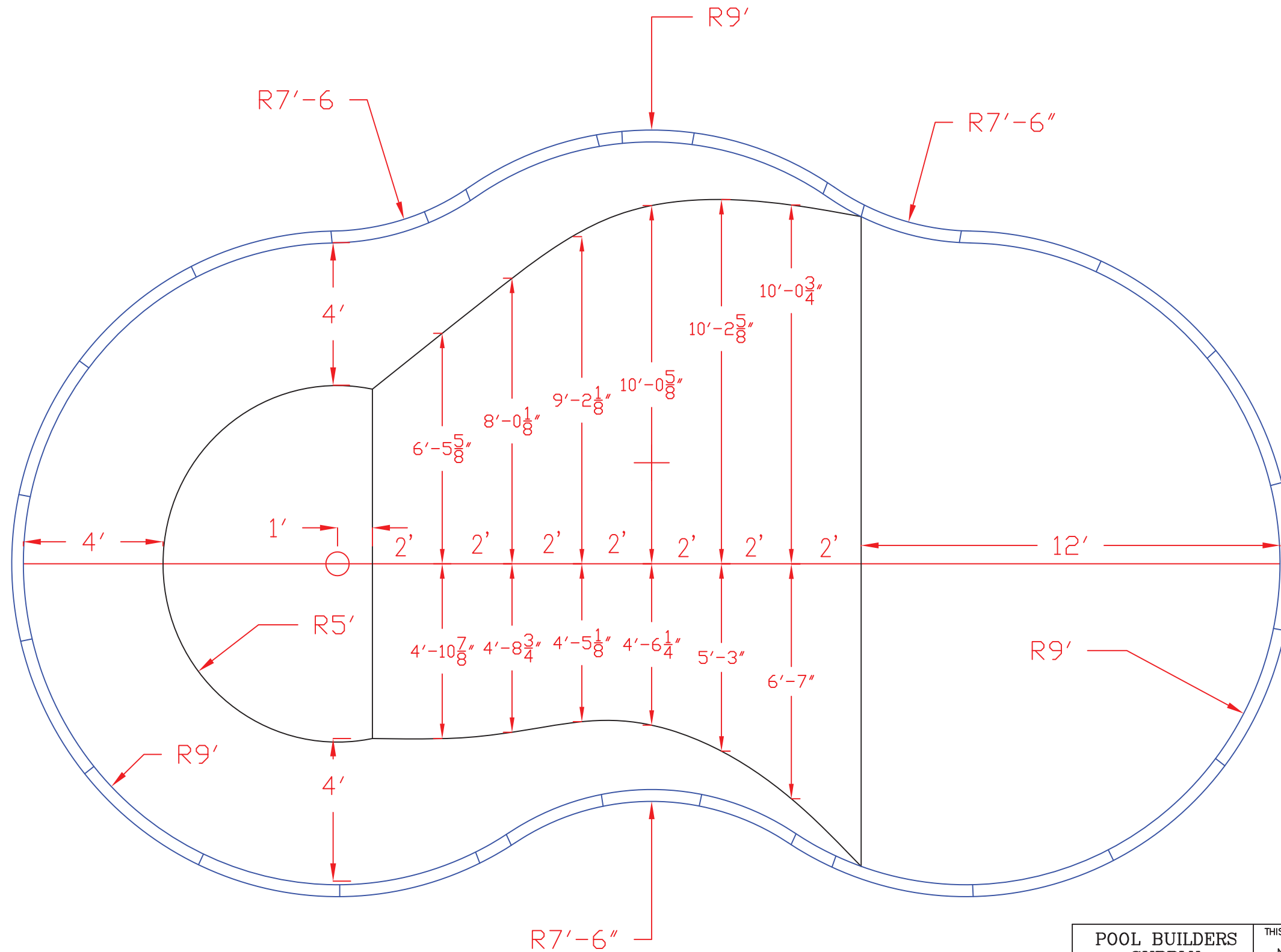


POOL BUILDERS
SUPPLY
1124 CENTRAL AVE.
CHARLOTTE, NC
28204

THIS DRAWING IS THE PROPERTY OF POOL BUILDERS SUPPLY AND IS LOANED FOR CONFIDENTIAL USE ONLY, AND SHOULD NOT BE COPIED OR USED FOR ANY PURPOSE DETRIMENTAL TO THE INTEREST OF POOL BUILDERS SUPPLY.

21' X 36' DEER CREEK
LEFT - POLY

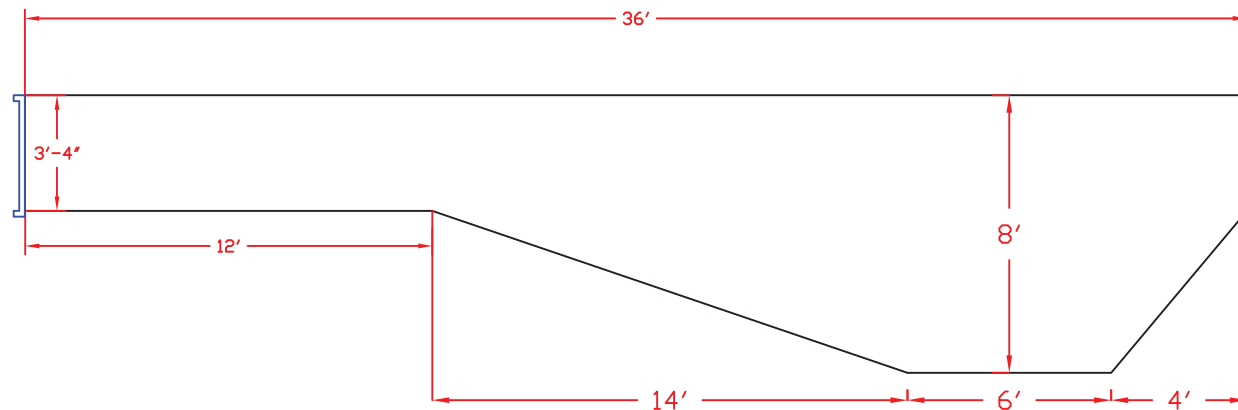
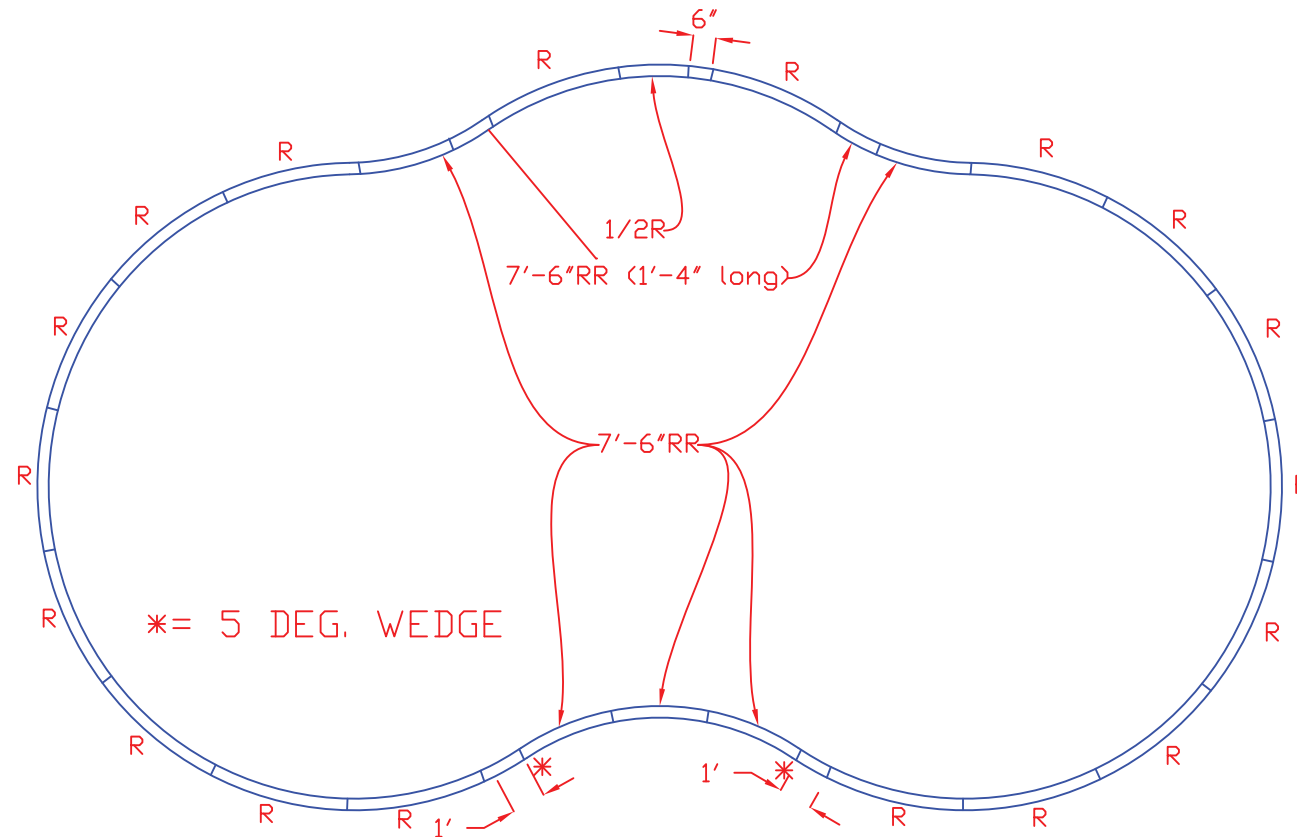
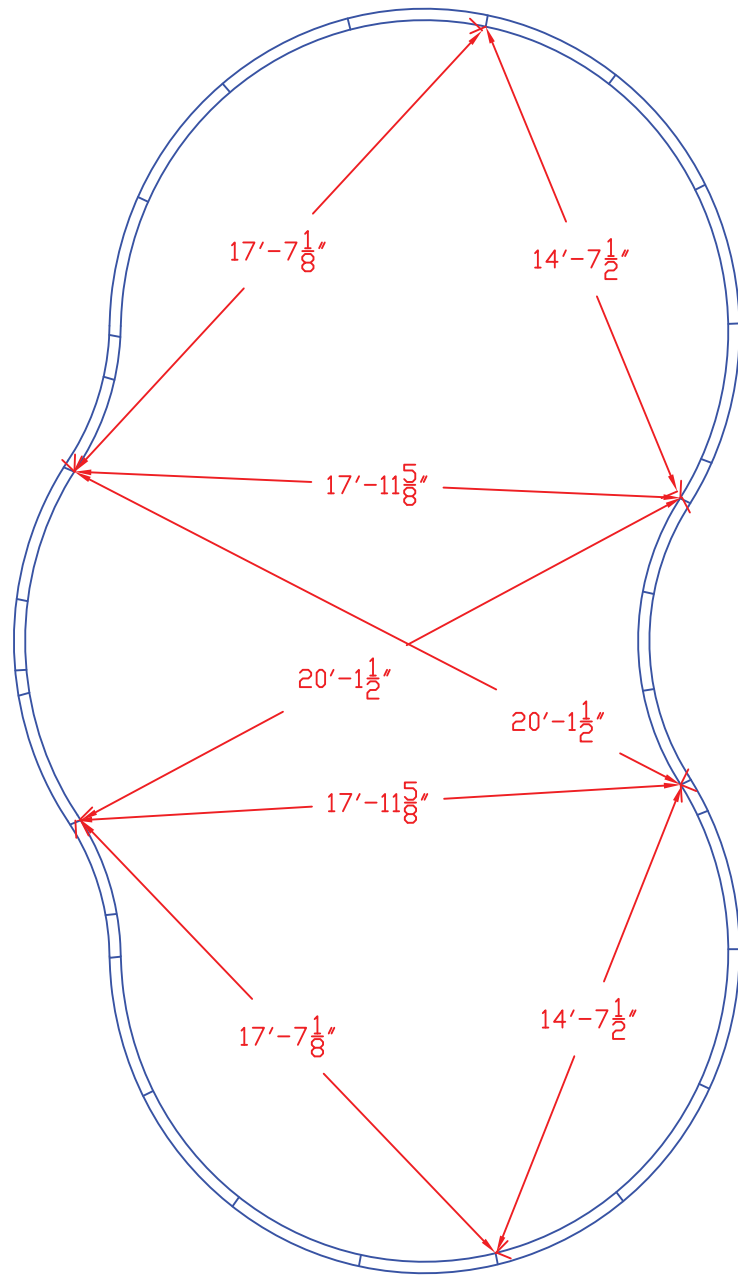
DATE 8/12/08	DRAWN BY JMH	SIZE B	SCALE NTS	DWG NO. 2 OF 3	REV 0
-----------------	-----------------	-----------	--------------	-------------------	----------



POOL BUILDERS SUPPLY 1124 CENTRAL AVE. CHARLOTTE, NC 28204		THIS DRAWING IS THE PROPERTY OF POOL BUILDERS SUPPLY AND IS LOANED FOR CONFIDENTIAL USE ONLY. AND SHOULD NOT BE COPIED OR USED FOR ANY PURPOSE DETRIMENTAL TO THE INTEREST OF POOL BUILDERS SUPPLY.		
		21' X 36' DEER CREEK LEFT - POLY		
DATE	DRAWN BY	SIZE	SCALE	DWG NO.
8/12/08	JMH	B	NTS	3 OF 3
				REV
				0

LIST OF MATERIALS

SYMBOL	PART	QUANTITY
R	9' RADIUS - K23034	18
1/2R	1/2 OF 9'R - K23034-2	1
7'-6"RR	7'-6" REV. RADIUS - K23035	5
N/A	7'-6"RR 1'4" LONG - K23035-2	2
N/A	1' STRAIGHT - K23036	2
N/A	6" STRAIGHT - K23025	1
N/A	BRACE - POLY BRACE	28
*	5 DEG. WEDGE	2



GENERAL NOTES:

This is a Type II pool & Type II diving equipment must be used. Consult diving board manufacturer's specifications.

This drawing is for illustrative purposes only. Dealer/ builder is an independent contractor and not an agent or employee of Pool Builders Supply. Pool Builders Supply makes no representations other than that which is stated in its written warranty. The customer or Dealer/ Builder is responsible for all construction methods and conforming to all building codes.

Safety rope must be installed 1ft. from break on shallow side.

No diving placards must be used in the shallow end.

PERIMETER: 94'-9"

S.A. : 582.25 SQ.FT.

VOLUME: 25,103 GAL.

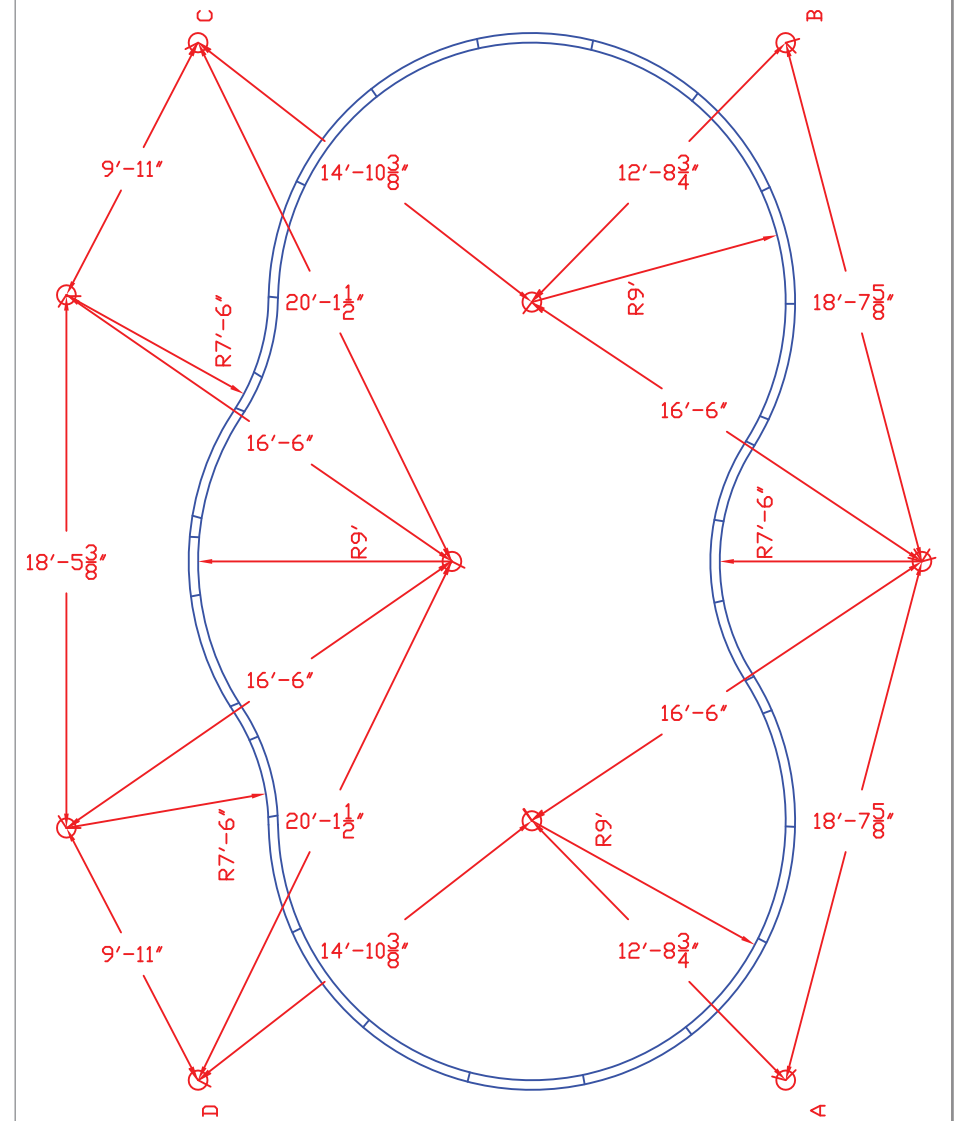
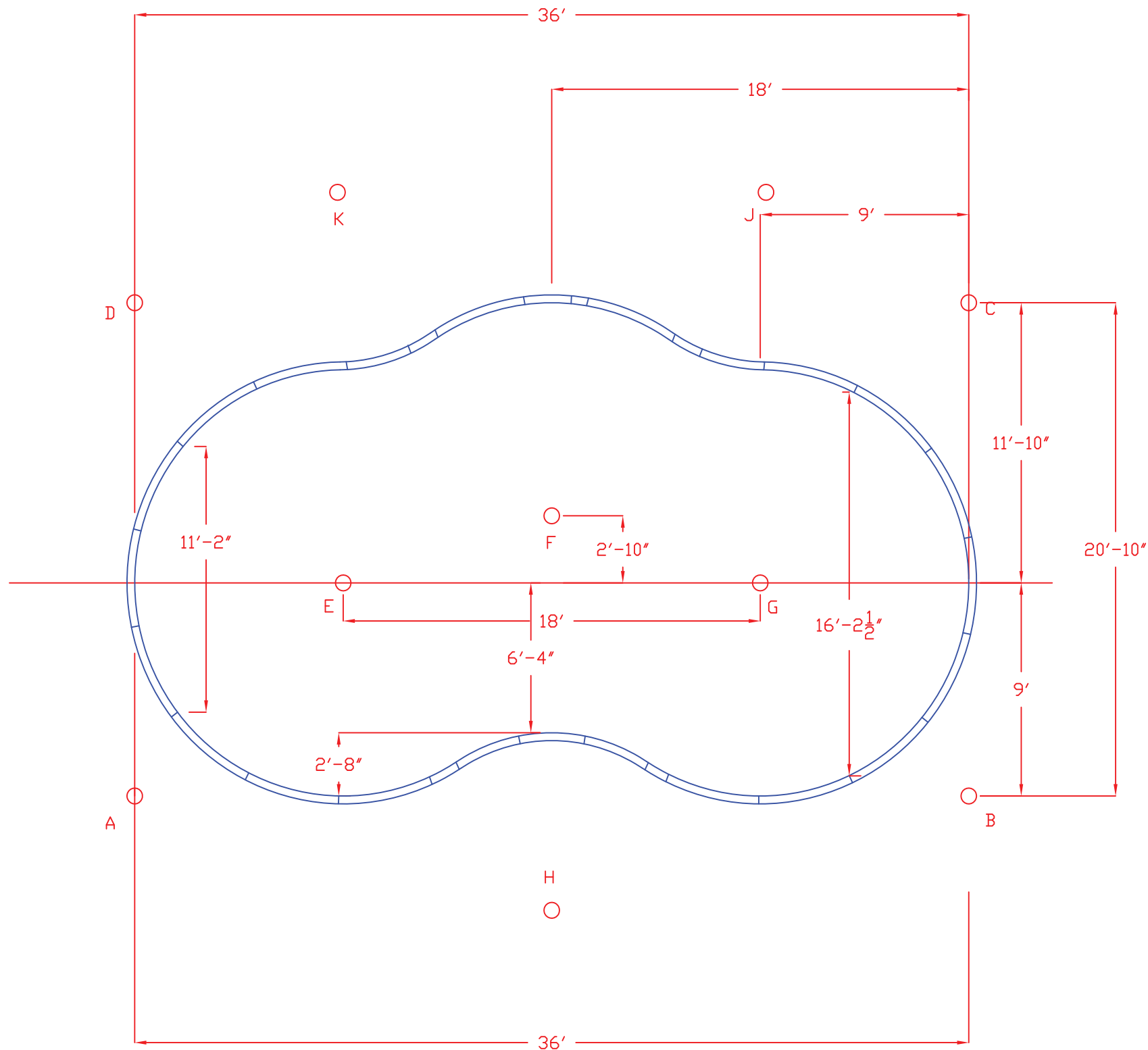
**POOL BUILDERS
SUPPLY**

1124 CENTRAL AVE.
CHARLOTTE, NC
28204

THIS DRAWING IS THE PROPERTY OF POOL BUILDERS SUPPLY AND IS LOANED FOR CONFIDENTIAL USE ONLY, AND SHOULD NOT BE COPIED OR USED FOR ANY PURPOSE DETRIMENTAL TO THE INTEREST OF POOL BUILDERS SUPPLY.

21' X 36' DEER CREEK
RIGHT - POLY

DATE 04/22/10	DRAWN BY JMH	SIZE B	SCALE NTS	DWG NO. 1 of 3	REV 0
------------------	-----------------	-----------	--------------	-------------------	----------



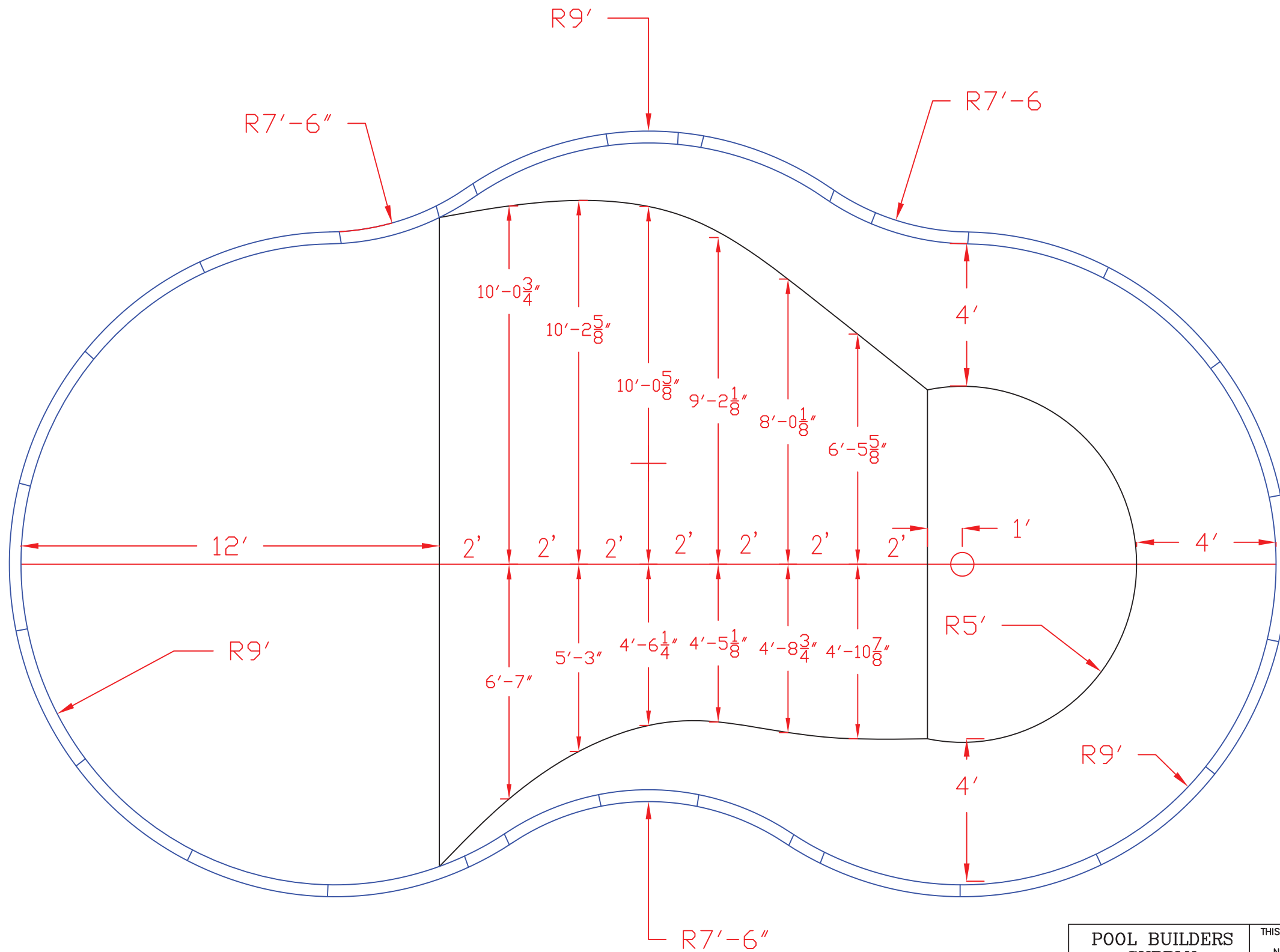
DIAGONALS:
 A - C 41'-7 1/8"
 B - D 41'-7 1/8"

**POOL BUILDERS
 SUPPLY**
 1124 CENTRAL AVE.
 CHARLOTTE, NC
 28204

THIS DRAWING IS THE PROPERTY OF POOL BUILDERS SUPPLY AND IS LOANED FOR CONFIDENTIAL USE ONLY, AND SHOULD NOT BE COPIED OR USED FOR ANY PURPOSE DETRIMENTAL TO THE INTEREST OF POOL BUILDERS SUPPLY.

**21' X 36' DEER CREEK
 RIGHT - POLY**

DATE 8/12/08	DRAWN BY JMH	SIZE B	SCALE NTS	DWG NO. 2 OF 3	REV 0
-----------------	-----------------	-----------	--------------	-------------------	----------



POOL BUILDERS SUPPLY 1124 CENTRAL AVE. CHARLOTTE, NC 28204		THIS DRAWING IS THE PROPERTY OF POOL BUILDERS SUPPLY AND IS LOANED FOR CONFIDENTIAL USE ONLY, AND SHOULD NOT BE COPIED OR USED FOR ANY PURPOSE DETRIMENTAL TO THE INTEREST OF POOL BUILDERS SUPPLY.		
		21' X 36' DEER CREEK RIGHT - POLY		
DATE	DRAWN BY	SIZE	SCALE	DWG NO.
8/12/08	JMH	B	NTS	3 OF 3
				REV 0