

SMCS - 7553

Agricultural Tractor

All

Articulated Truck

All

Asphalt Paver

All

Backhoe Loader

All

Caterpillar Products

All

Challenger

All

Cold Planer

All

Combine

All

Compact Wheel Loader

All

Earthmoving Compactor

All

Electric Power Generation

All

Engine

3400 All, 3300 All, 3200 All, 3100 All, 3000 All, and D-series All

All Gas Engines

Engine Commercial

3500 and 3500B Engines with Standard Displacement

All Diesel

Engine Commercial

3500 and 3500B Engines with Standard Displacement

All Diesel

Excavator

All

Forest Products

All

Integrated Toolcarrier

All

Landfill Compactor

All

Machine Engines

All

Mini Hydraulic Excavator

All

Motor Grader

All

Off-Highway Truck/Tractor

All

Paving Compactor

All

Pipelayer

PPW-00000833F
2022/03/01
01:44:45-05:00
REHS0970
© 2022 Caterpillar Inc.
Caterpillar:
Confidential Green

All

Road Reclaimer/Soil Stabilizer

All

Skid Steer Loader

All

Soil Compactor

All

Telehandler

All

Track-Type Loader

All

Track-Type Skidder

All

Track-Type Tractor

All

Truck Engines

All

Underground Articulated Truck

All

Wheel Dozer

All

Wheel Loader

All

Wheel Skidder

All

Wheel Tractor-Scraper

All

Revision History:

Revision	Summary of Changes
17	Major changes throughout the document.
16	Removed injector and injector connector information.
15	Added DTP replacement terminals.
14	To add the Deutsch DTP series connectors.

Table 1

Introduction

This Special Instruction provides a listing of electrical connectors and the corresponding Caterpillar part numbers. The electrical connectors listed in this Special Instruction are grouped by the type of connector and the number of pins that are used in each connector.

Reference Section

Reference: Tool Operating Manual, SEHS9615, "Servicing Deutsch HD and DT style connectors"

Reference: Special Instruction, REHS7215, "Repair Procedure for Damaged Harness Wiring"

Safety Section

Do not perform any procedure in this Special Instruction until you have read this Special Instruction and you understand this information. Use only proper tools and observe all precautions that pertain to the use of those tools. Failure to follow these procedures can result in personal injury. **The following procedures should be observed.**

Work safely. Most accidents that involve product operation, maintenance, and repair are caused by failure to observe basic safety rules or precautions. An accident can often be avoided by recognizing potentially hazardous situations before an accident occurs.

A person must be alert to potential hazards. This person must also have the necessary training, skills, and tools to perform these functions properly.

Safety precautions and warnings are provided in this instruction and on the product. If these hazard warnings are not heeded, bodily injury or death could occur to you or to other persons. Caterpillar cannot anticipate every possible circumstance of a potential hazard.

Therefore, the warnings in this publication and the warnings that are on the product are not all inclusive. Avoid using a tool, a procedure, a work method, or operating technique that is not recommended by Caterpillar.

Ensure that the operation, lubrication, maintenance, or repair procedures used will not create an unsafe condition or damage the product.

⚠ WARNING

Do not operate or work on this product unless you have read and understood the instructions and warnings in the relevant Operation and Maintenance Manuals and relevant service literature. Failure to follow the instructions or heed the warnings could result in injury or death. Proper care is your responsibility.

⚠ DANGER

Working with electrical circuits is hazardous and exposes personnel to electrical potential. To ensure safe operation, personnel must be trained in proper operating procedures. Bodily contact with electrical potential will cause serious personal injury or death.

Deutsch DTP Series Connectors

Deutsch DTP Series Connectors				
Description	Insulation Size (mm ²)	Caterpillar Part Number	Service Replacement Part Number	Service Tool Part Number
2-pin receptacle	1.9 - 3.55	177-9641	177-9645	147-6456
2-pin receptacle	1.9 - 3.55	331-3586	331-4230	147-6456
4-pin receptacle	1.9 - 3.55	177-9649	177-9653	147-6456
4-pin receptacle	1.9 - 3.55	265-2105	265-2106	147-6456

Table 2

DTP Series Connectors (Model Views)

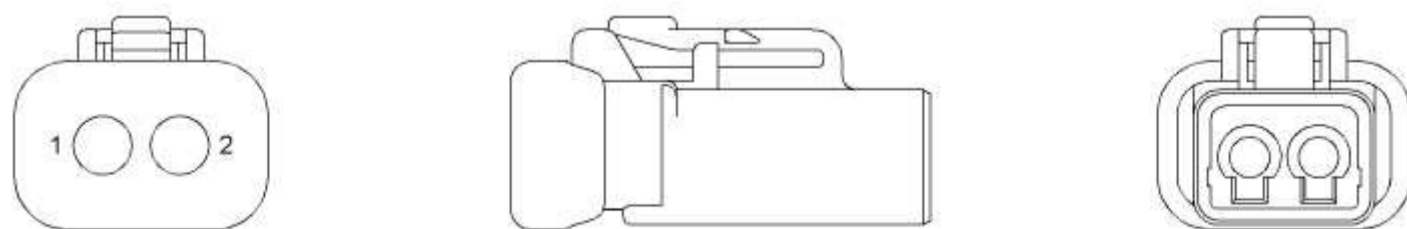


Illustration 1
177-9648 Connecting Plug Kit (2-PIN)

g06435376

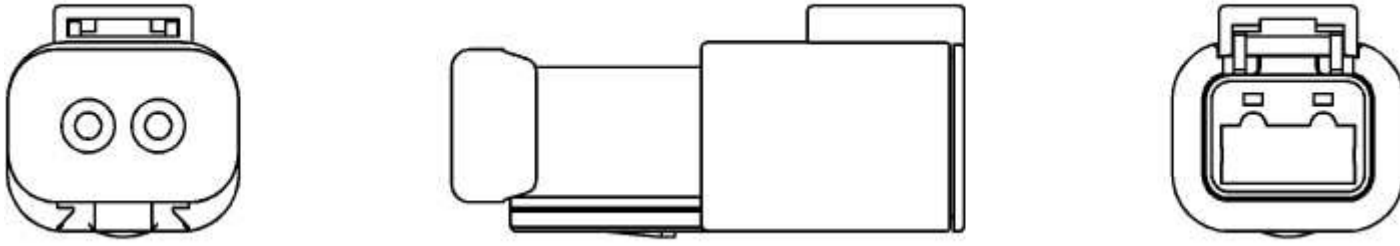


Illustration 2
177-9645 Receptacle Kit (2-PIN)

g06435371

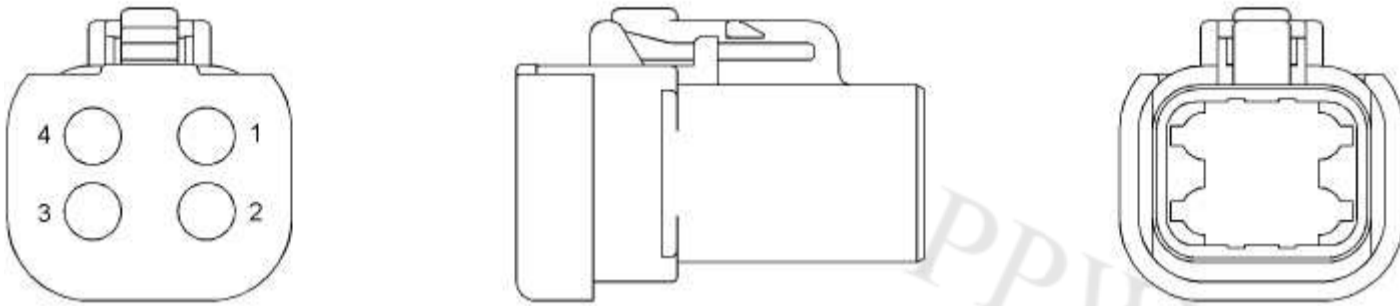


Illustration 3
177-9656 Connecting Plug Kit (4-PIN)

g06435380

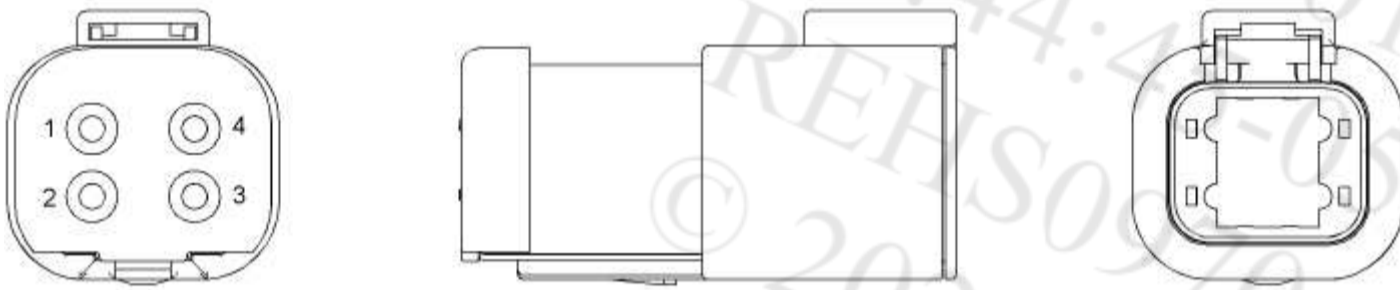


Illustration 4
177-9653 Receptacle Kit (4-PIN)

g06435382

DTP Replacement Terminals

DTP Replacement Terminals			
Description	Sizes (American Wire Gauge (AWG))	Contact Part Number	Contact Part Name
Nickel plated	12 and 14	7T-0093	Connector Pin
Nickel plated	12 and 14	7T-0094	Connector Socket
Gold plated	12 and 14	115-3519	Connector Pin
Gold plated	12 and 14	3E-5226	Connector Socket

Table 3

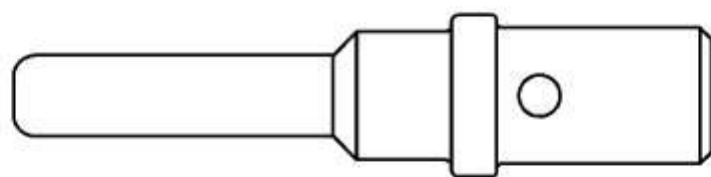


Illustration 5
7T-0093 Connector Pin

g06440463

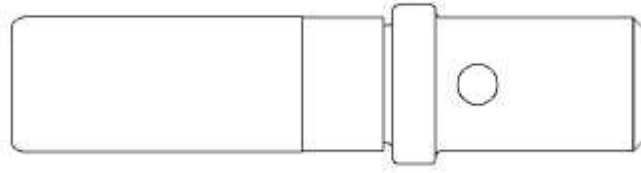


Illustration 6
7T-0094 Connector Socket

g06440465

DT Type Connectors - 2-Pin Connectors

DT Type Connectors - 2-Pin Connectors				
Description	Insulation Size (mm ²)	Caterpillar Part Number	Service Replacement Part Number	Service Tool Part Number
2-pin receptacle	1.9 - 3.55	3E-3364	102-8802	147-6456
2-pin receptacle	1.9 - 3.55	151-9278	151-9272	147-6456
2-pin receptacle	1.9 - 3.55	283-3490	283-3489	147-6456
2-pin receptacle	1.9 - 3.55	9X-0352	Serviceable	147-6456
2-pin plug	1.9 - 3.55	155-2269	155-2270	147-6456
2-pin plug	1.9 - 3.55	331-3582	331-4226	147-6456
2-pin plug	1.9 - 3.55	176-2942	176-2943	147-6456

Table 4

DT Type Connectors - 2 Pin Connectors (Model Views)

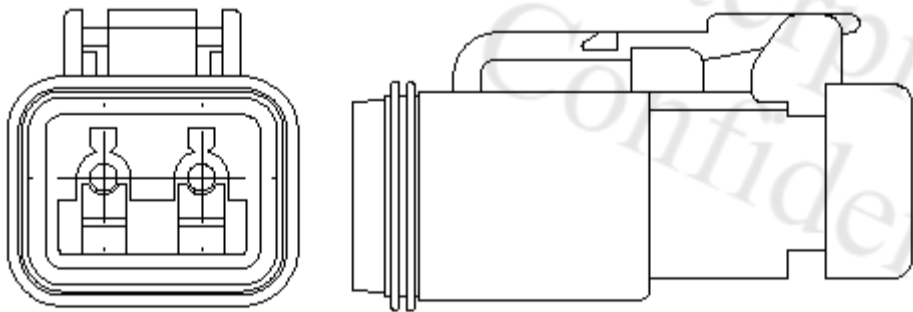


Illustration 7
155-2270 Connecting Plug Kit (2-PIN)

g0077731

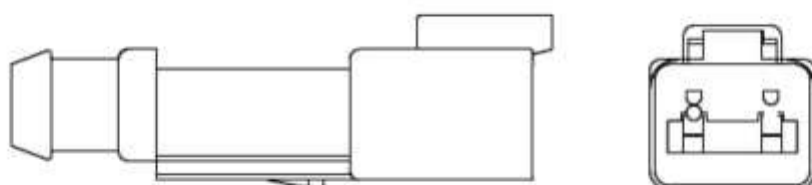


Illustration 8
283-3489 Receptacle Kit

g03148417

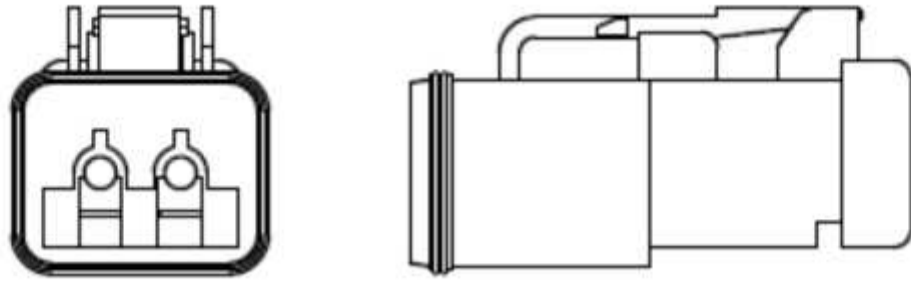


Illustration 9
331-4226 Connecting Plug Kit

g03148436

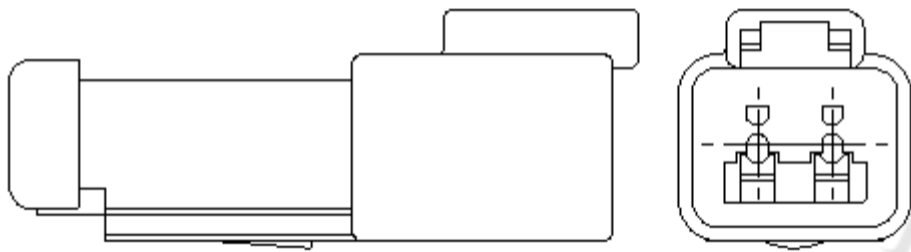


Illustration 10
102-8802 Receptacle Kit (2-PIN)

g00777768

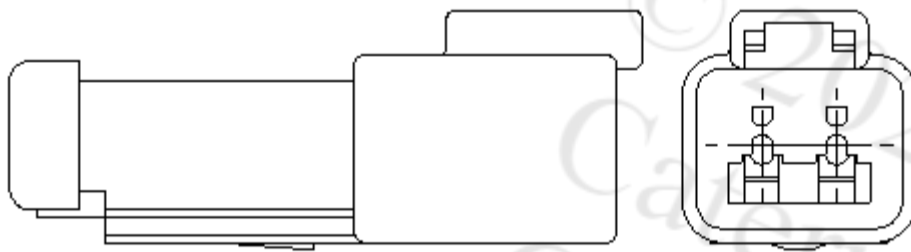


Illustration 11
151-9272 Receptacle Kit

g00777776

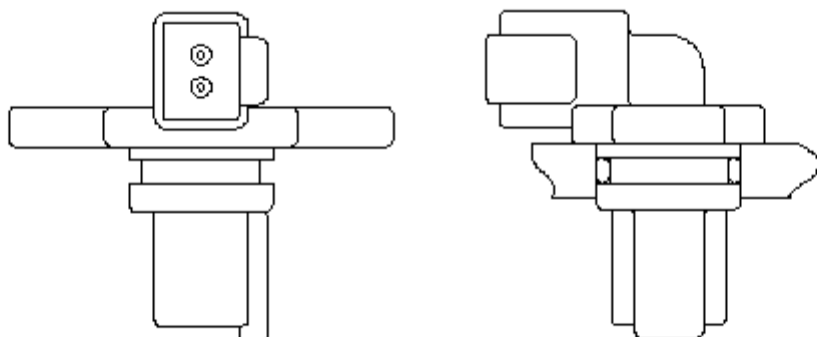


Illustration 12
9X-0352 Connector Receptacle As

g00781314

PPW-0000833F
2022/03/01
01:44:45-05:00
REHS0970
© 2022 Caterpillar Inc.
Confidential Green

DT Type Connectors - 3-Pin Connectors

DT Type Connectors - 3-Pin Connectors				
Description	Insulation Size (mm ²)	Caterpillar Part Number	Service Replacement Part Number	Service Tool Part Number
3-pin receptacle	1.9 - 3.55	3E-3370	102-8803	147-6456
3-pin receptacle	1.9 - 3.55	171-0596	Serviceable	147-6456
3-pin receptacle	1.9 - 3.55	331-3577	331-4221	147-6456
3-pin receptacle	1.9 - 3.55	133-0973	176-9299	147-6456
3-pin receptacle	1.9 - 3.55	140-7684	Serviceable	147-6456
3-pin receptacle	1.9 - 3.55	133-0970	Serviceable	147-6456
3-pin receptacle	1.9 - 3.55	507-1079	N/A	147-6456
3-pin plug	1.9 - 3.55	155-2267	155-2260	147-6456
3-pin plug	1.9 - 3.55	266-8777	355-4378	147-6456
3-pin plug	1.9 - 3.55	331-3585	331-4229	147-6456
3-pin plug	1.9 - 3.55	169-8670	155-2260	147-6456
3-pin plug	1.9 - 3.55	174-0502	174-0503	147-6456

Table 5

DT Type Connectors - 3-Pin Connectors (Model Views)

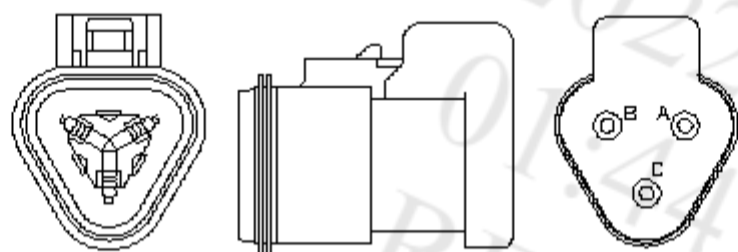


Illustration 13
155-2260 Connecting Plug Kit (3-PIN)

g00776502

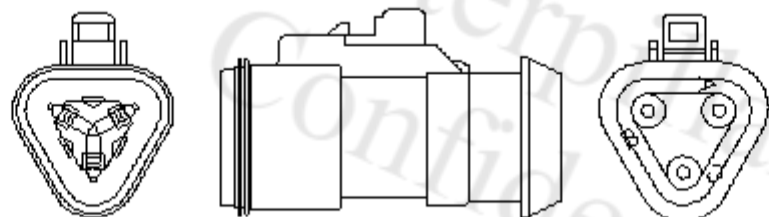


Illustration 14
174-0503 Connecting Plug Kit

g00777798

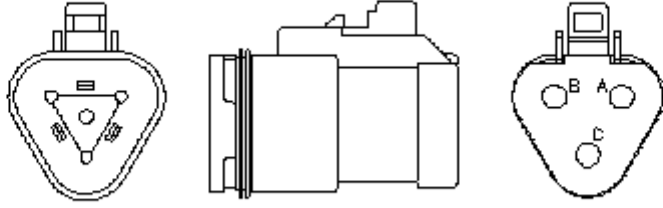


Illustration 15
174-3016 Resistor Plug Assembly

g00777805

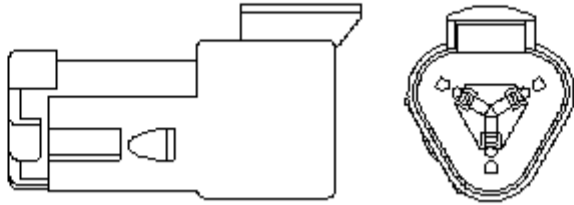


Illustration 16
102-8803 Receptacle Kit (3-PIN)

g00777814

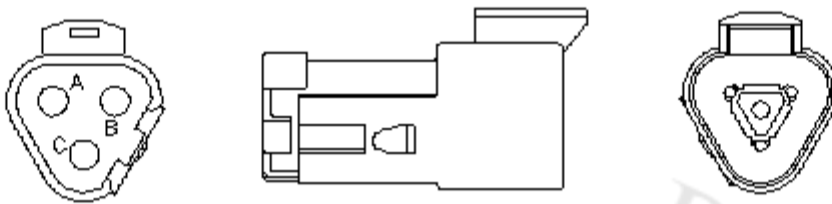


Illustration 17
134-2540 Connector Receptacle As (TERMINATION)

g00777831

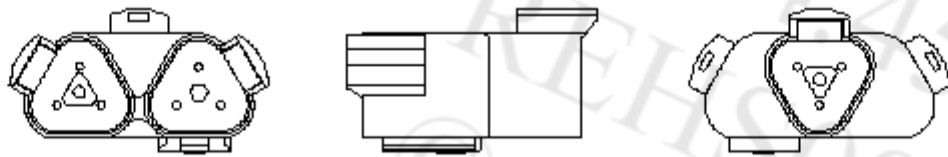


Illustration 18
133-0970 Connector Receptacle As

g00777833

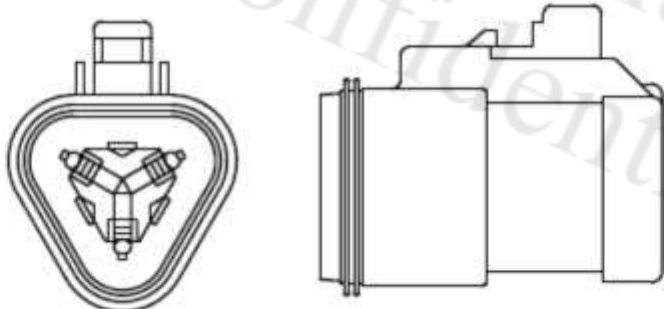


Illustration 19
355-4378 Connecting Plug Kit (3-PIN)

g03148439

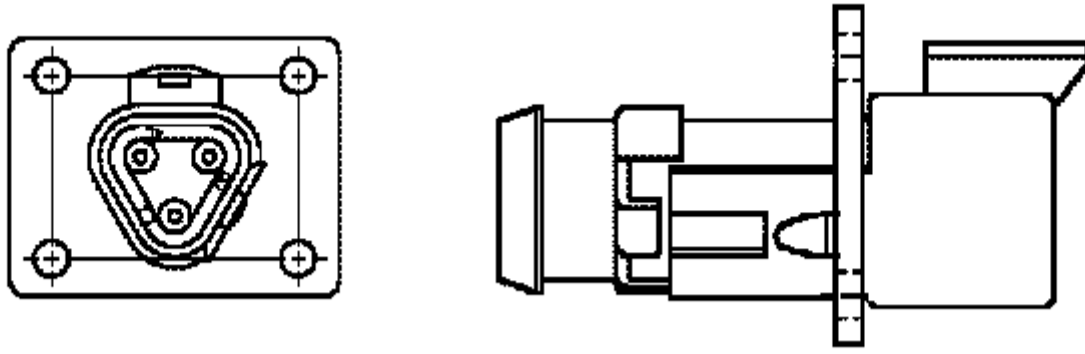


Illustration 20
140-7684 Connector Receptacle As

g03148440

DT Type Connectors - 4-Pin Connectors

DT Type Connectors - 4-Pin Connectors				
Description	Insulation Size (mm ²)	Caterpillar Part Number	Service Replacement Part Number	Service Tool Part Number
4-pin receptacle	1.9 - 3.55	3E-3376	102-8804	147-6456
4-pin receptacle	1.9 - 3.55	151-9277	151-9274	147-6456
4-pin receptacle	1.9 - 3.55	337-9094	340-1759	147-6456
4-pin receptacle	1.9 - 3.55	196-5330	197-7565	147-6456
4-pin receptacle	1.9 - 3.55	113-4630	Serviceable	147-6456
4-pin plug	1.9 - 3.55	155-2272	155-2271	147-6456
4-pin plug	1.9 - 3.55	176-2946	176-2947	147-6456
4-pin plug	1.9 - 3.55	266-9421	276-1242	147-6456

Table 6

DT Type Connectors - 4-Pin Connectors (Model Views)

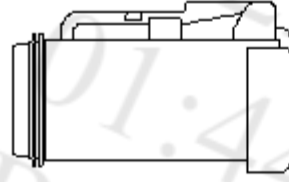
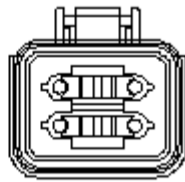


Illustration 21
155-2271 Connecting Plug Kit (4-PIN)

g00777842

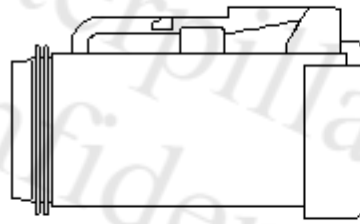
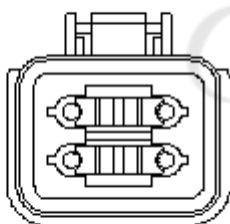


Illustration 22
176-2947 Connecting Plug Kit

g00777844

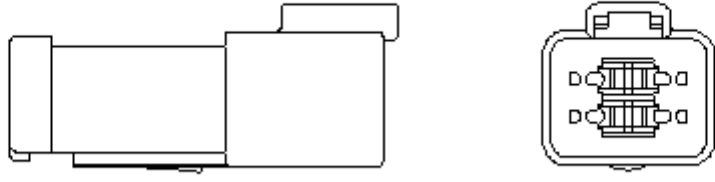


Illustration 23
102-8804 Receptacle Kit (4-PIN)

g00777847

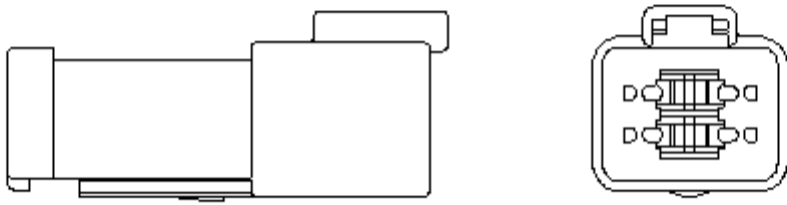


Illustration 24
151-9274 Receptacle Kit (4-PIN)

g00777849

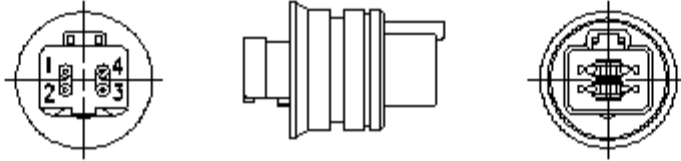


Illustration 25
113-4630 Connector Receptacle As

g00777862

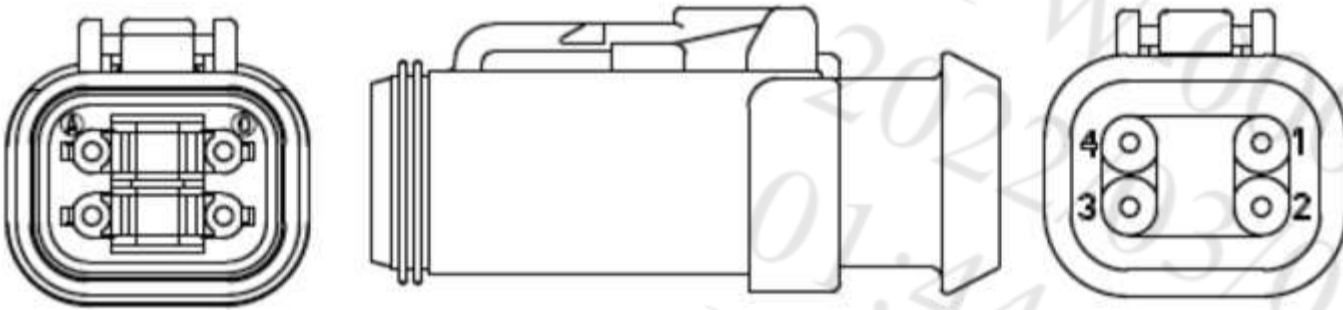
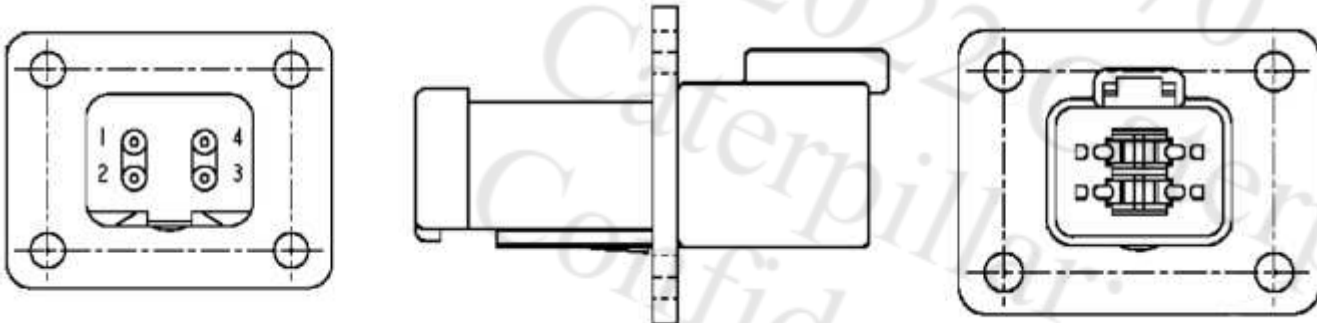


Illustration 26
276-1242 Connecting Plug Kit (4-PIN)

g03148601



DT Type Connectors - 6-Pin Connectors

DT Type Connectors - 6-Pin Connectors				
Description	Insulation Size (mm ²)	Caterpillar Part Number	Service Replacement Part Number	Service Tool Part Number
6-pin receptacle	1.9 - 3.55	3E-3382	102-8805	147-6456
6-pin receptacle	1.9 - 3.55	151-9276	151-9275	147-6456
6-pin receptacle	1.9 - 3.55	336-6651	336-6741	147-6456
6-pin receptacle	1.9 - 3.55	517-4439	N/A	147-6456
6-pin plug	1.9 - 3.55	155-2273	155-2274	147-6456
6-pin plug	1.9 - 3.55	245-8025	N/A	147-6456
6-pin plug	1.9 - 3.55	175-3354	Serviceable	147-6456
6-pin plug	1.9 - 3.55	355-3742	355-5113	147-6456

Table 7

DT Type Connectors - Six Pin Connectors (Model Views)

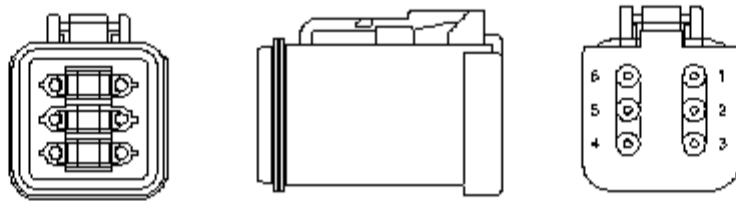


Illustration 28
155-2274 Connecting Plug Kit (6-PIN)

g00779239

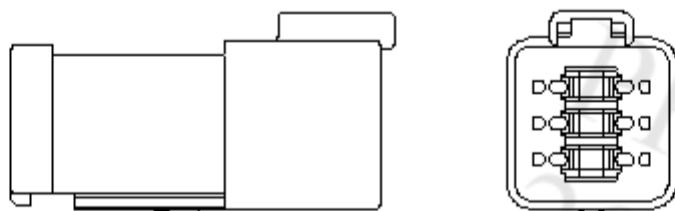


Illustration 29
102-8805 Receptacle Kit (6-PIN)

g00779274

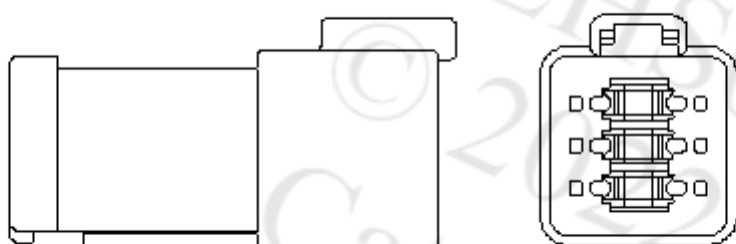


Illustration 30
151-9275 Receptacle Kit (6-PIN)

g00779281

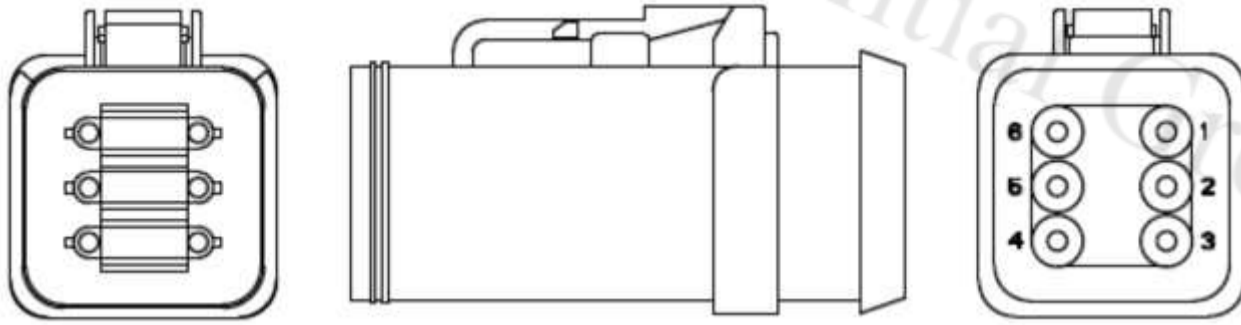


Illustration 31
355-5113 Connecting Plug Kit

g03148943

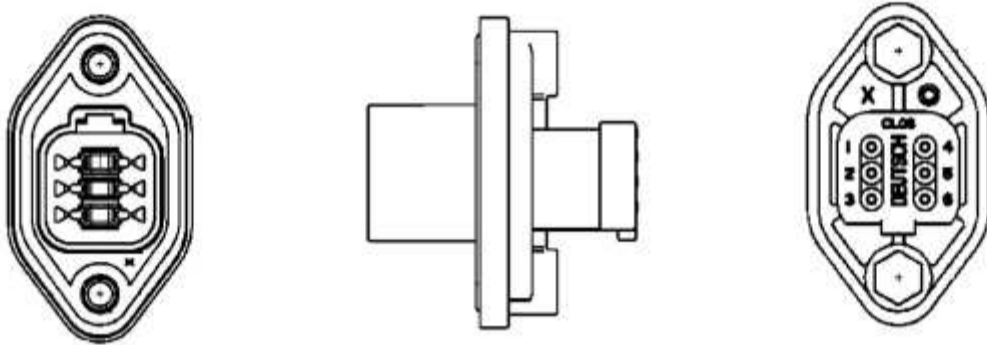


Illustration 32
336-6651 Connector Receptacle As

g03148959

DT Type Connectors - 8-Pin Connectors

DT Type Connectors - 8-Pin Connectors				
Description	Insulation Size (mm ²)	Caterpillar Part Number	Service Replacement Part Number	Service Tool Part Number
8-pin receptacle	1.9 - 3.55	3E-3388	102-8806	3E-3389
8-pin receptacle	1.9 - 3.55	162-3046	160-3518	3E-3389
8-pin receptacle	1.9 - 3.55	175-3357	Serviceable	3E-3389
8-pin receptacle	1.9 - 3.55	195-0534	194-4254	3E-3389
8-pin plug	1.9 - 3.55	155-2264	155-2265	155-2259
8-pin plug	1.9 - 3.55	304-9613	305-0582	3E-3386
8-pin plug	1.9 - 3.55	331-3580	331-4224	155-2259
8-pin plug	1.9 - 3.55	237-0163	237-0165	155-2259

Table 8

DT Type Connectors - 8-Pin Connectors (Model Views)

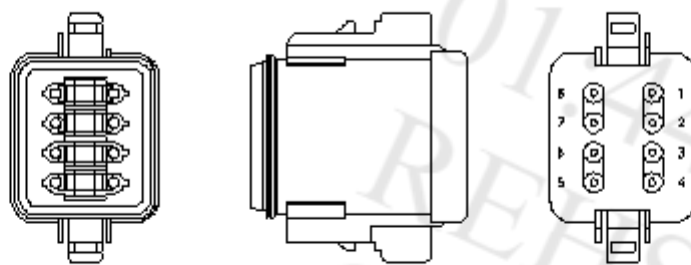


Illustration 33
155-2265 Connecting Plug Kit (8-PIN)

g00779283

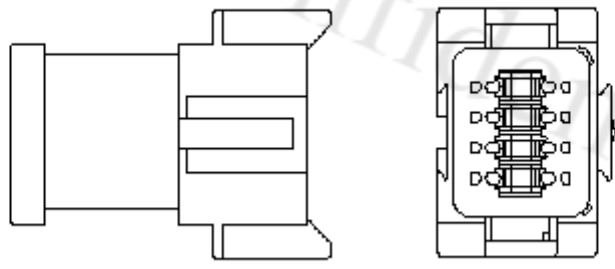


Illustration 34
102-8806 Receptacle Kit (8-PIN)

g00779294

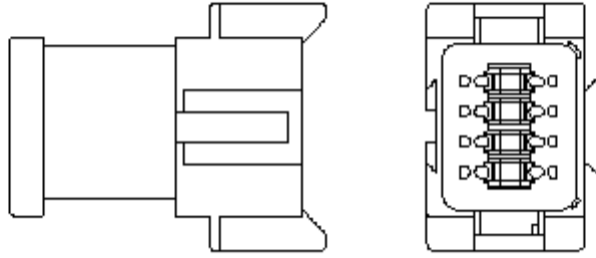


Illustration 35
160-3518 Receptacle Kit (8-PIN)

g00779298

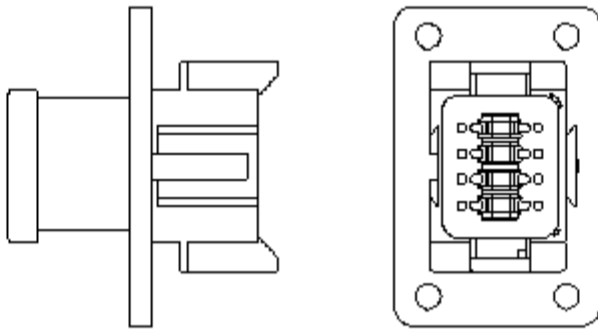


Illustration 36
194-4254 Receptacle Kit

g00781322

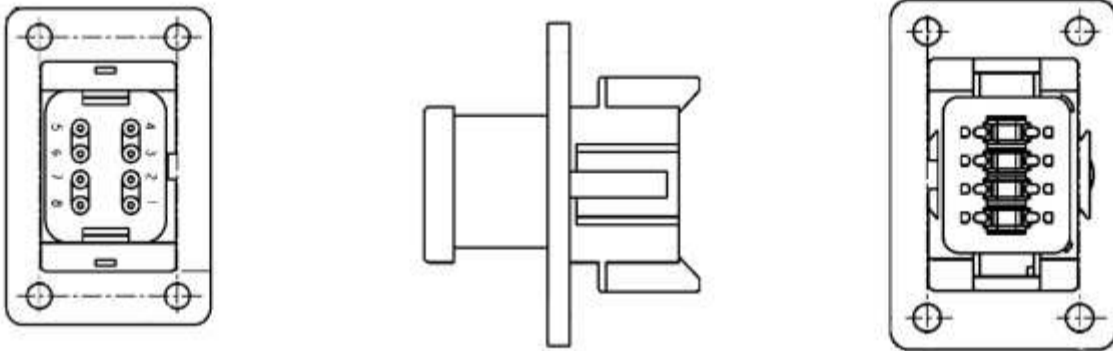
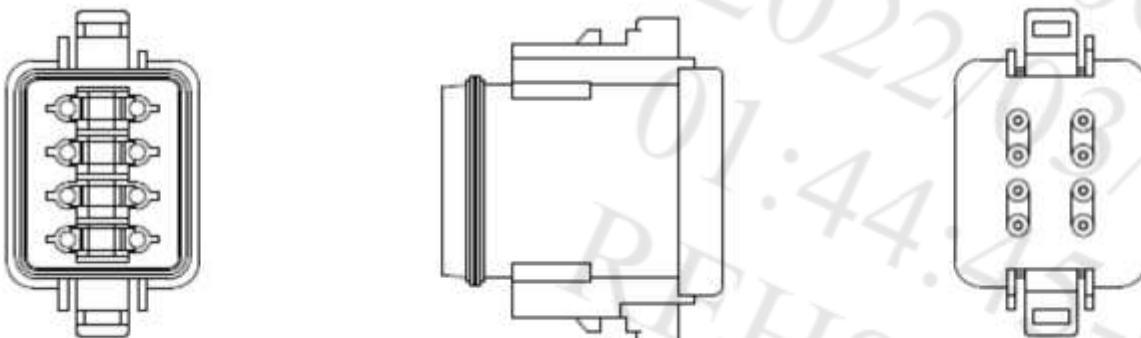
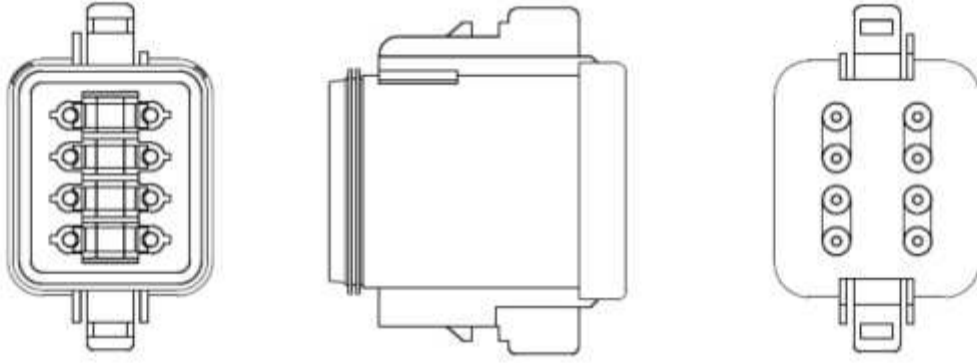
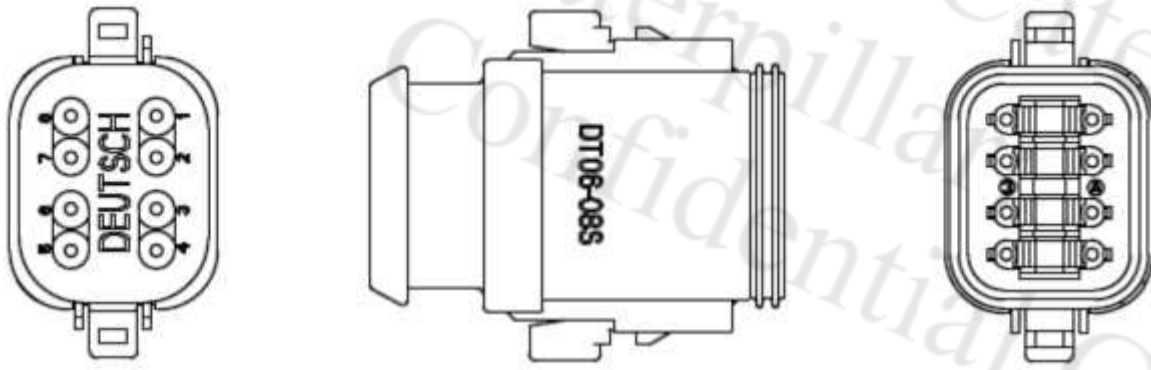


Illustration 37
195-0534 Receptacle As

g03152797





DT Type Connectors - 12-Pin

DT Type Connectors - 12 Pin				
Description	Insulation Size (mm ²)	Caterpillar Part Number	Service Replacement Part Number	Service Tool Part Number
12-pin receptacle	1.9 - 3.55	3E-5179	102-8801	3E-5180
12-pin receptacle	1.9 - 3.55	174-3089	174-3091	3E-5180
12-pin receptacle	1.9 - 3.55	290-8858	103-8134	3E-5180
12-pin receptacle	1.9 - 3.55	184-7035	N/A	3E-5180
12-pin receptacle	1.9 - 3.55	164-2336	166-5229	3E-5180
12-pin receptacle	1.9 - 3.55	3E-7990	103-8133	3E-5180
12-pin receptacle	1.9 - 3.55	3E-8969	103-8134	3E-5180
12-pin receptacle	1.9 - 3.55	420-8941	103-8134	3E-5180
12-pin receptacle	1.9 - 3.55	331-3583	331-4227	3E-5180
12-pin receptacle	1.9 - 3.55	331-3599	331-4237	3E-5180
12-pin receptacle	1.9 - 3.55	142-6258	N/A	3E-5180
12-pin receptacle	1.9 - 3.55	190-7612	190-7614	3E-5180
12-pin receptacle	1.9 - 3.55	271-2809	271-2811	3E-5180
12-pin receptacle	1.9 - 3.55	331-3589	331-4233	3E-5180
12-pin receptacle	1.9 - 3.55	382-2777	N/A	3E-5180

12-pin receptacle	1.9 - 3.55	184-7036	N/A	3E-5180
12-pin receptacle	1.9 - 3.55	190-7613	190-7615	3E-5180
12-pin receptacle	1.9 - 3.55	370-4060	370-4059	3E-5180
12-pin receptacle	1.9 - 3.55	155-2252	155-2255	155-2258
12-pin plug	1.9 - 3.55	382-2778	155-2255	155-2258
12-pin plug	1.9 - 3.55	282-7971	282-9886	155-2258
12-pin plug	1.9 - 3.55	500-0465	N/A	155-2258
12-pin plug	1.9 - 3.55	155-2253	155-2256	155-2258
12-pin plug	1.9 - 3.55	331-3578	331-4222	155-2258
12-pin plug	1.9 - 3.55	155-2254	155-2257	155-2258
12-pin plug	1.9 - 3.55	331-3579	331-4223	155-2258
12-pin plug	1.9 - 3.55	237-0164	237-0166	155-2258
12-pin plug	1.9 - 3.55	556-1075	237-0166	155-2258

Table 9

DT Type Connectors - 12 Pin (Model Views)

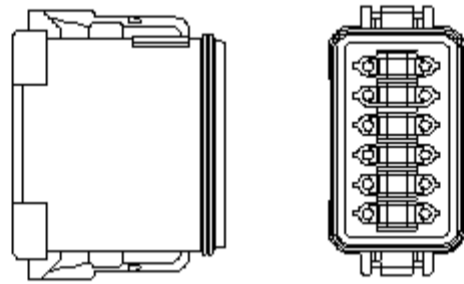


Illustration 41
155-2255 Connecting Plug Kit (12-PIN)

g00779300

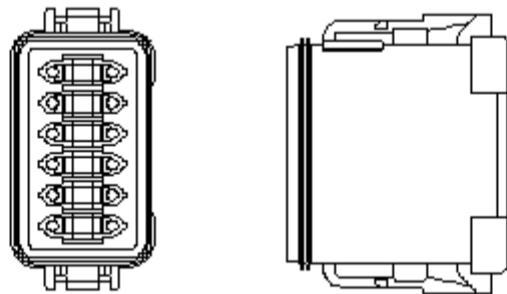


Illustration 42
155-2256 Connecting Plug Kit (12-PIN)

g00779303

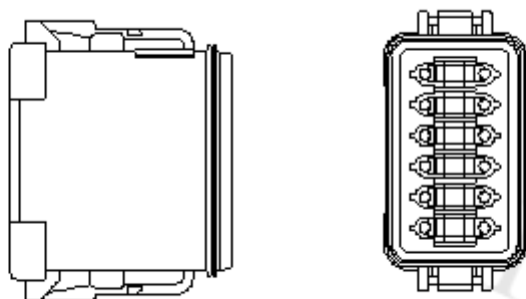


Illustration 43
155-2257 Connecting Plug Kit (12-PIN)

g00779306

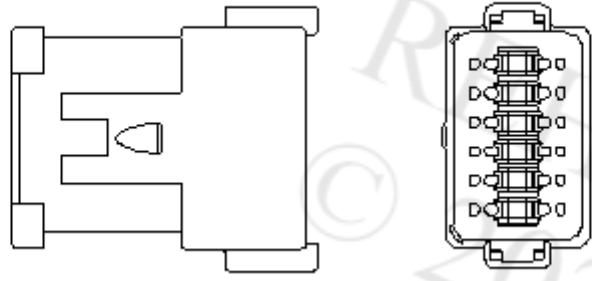


Illustration 44
102-8801 Receptacle Kit (12-PIN)

g00779311

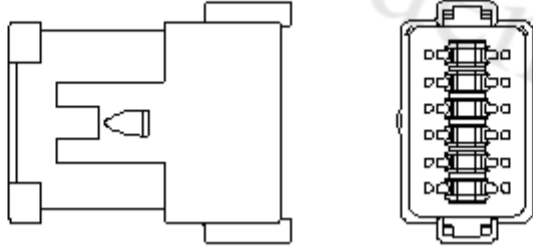


Illustration 45
190-7614 Receptacle Kit (12-PIN)

g00779350

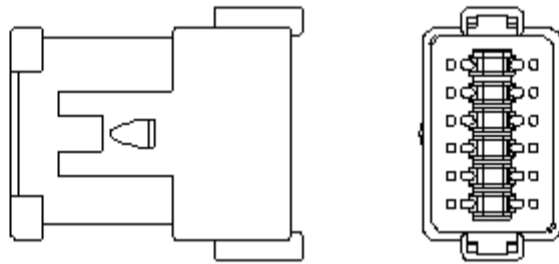


Illustration 46
190-7615 Receptacle Kit (12-PIN)

g00779362

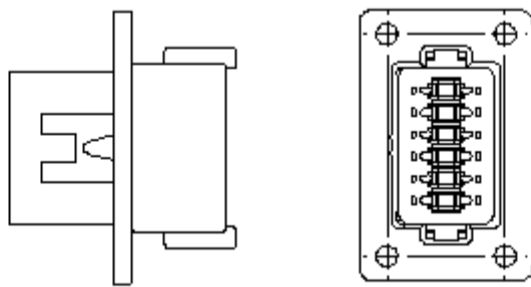


Illustration 47
166-5229 Receptacle Kit (12-PIN)

g00779374

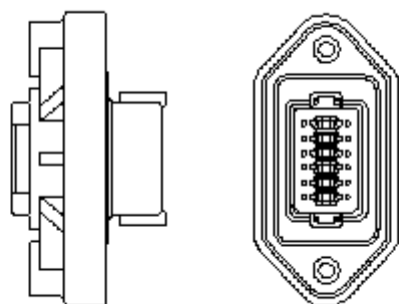


Illustration 48
103-8133 Receptacle Kit (12-PIN)

g00779377

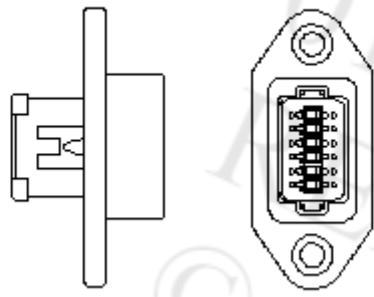


Illustration 49
103-8134 Receptacle Kit (12-PIN)

g00779381

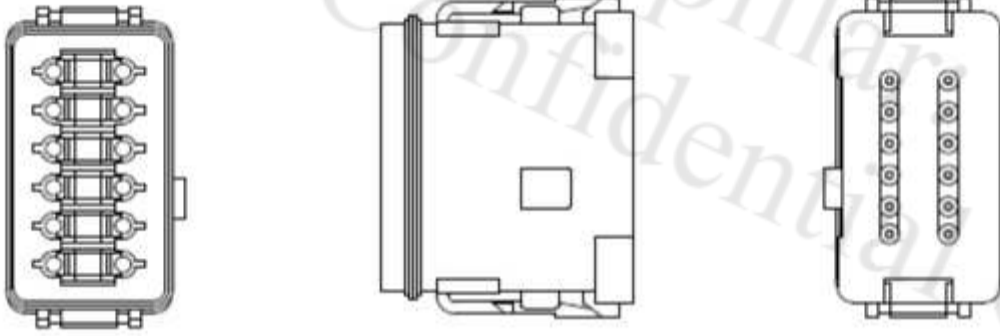


Illustration 50
331-4222 Connecting Plug Kit

g03159556

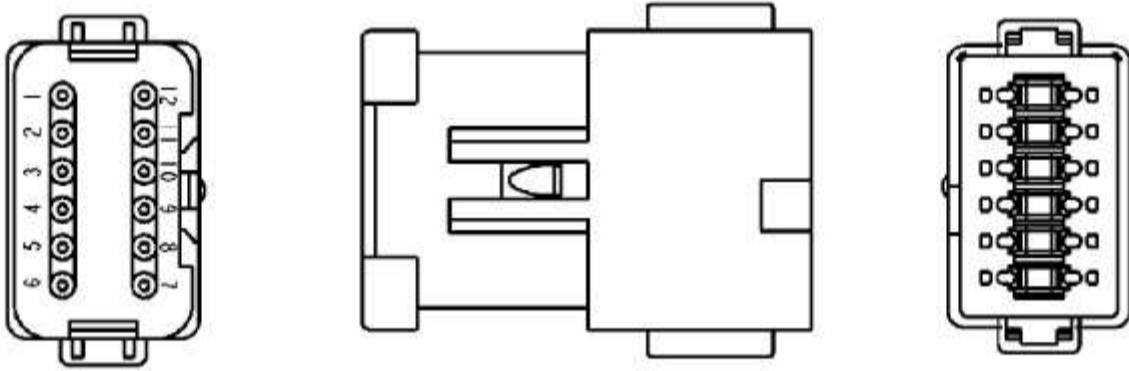


Illustration 51
331-4234 Receptacle Kit

g03159558

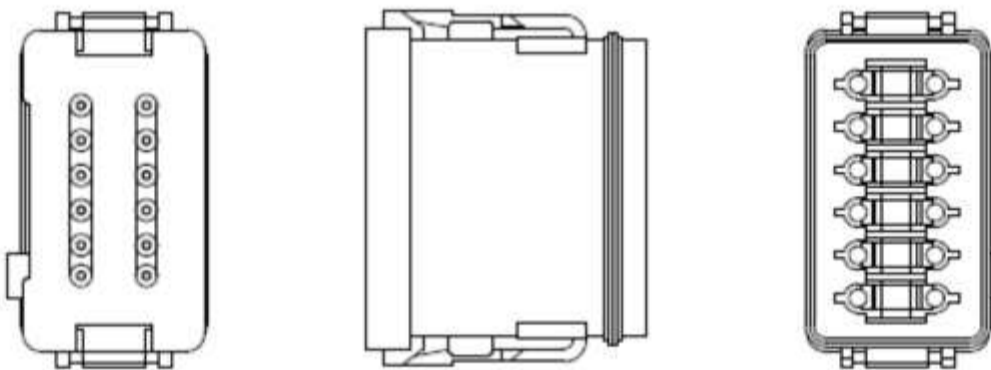


Illustration 52
331-4223 Connecting Plug Kit

g03159559

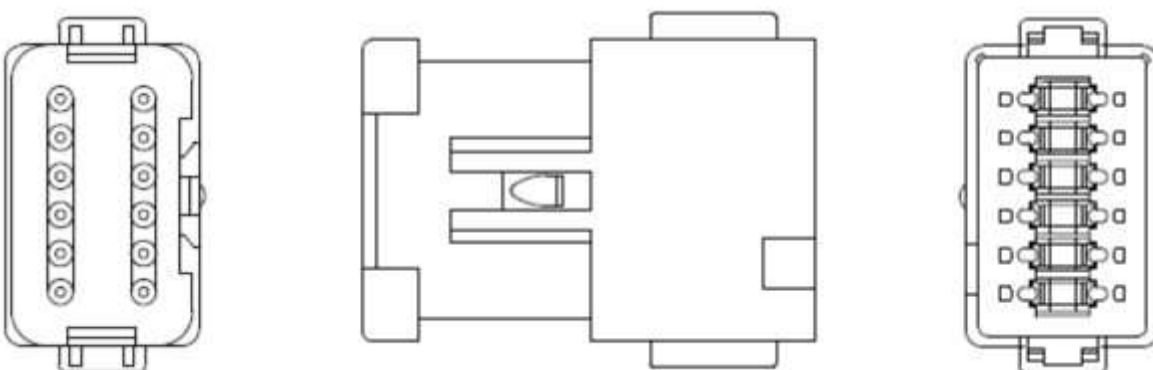


Illustration 53
331-4235 Receptacle Connector Kit

g03159560

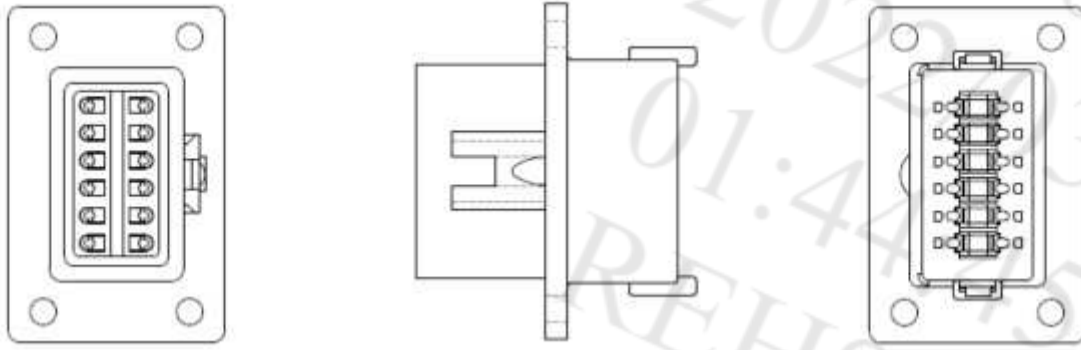


Illustration 54
331-4233 Receptacle Connector Kit

g03159561

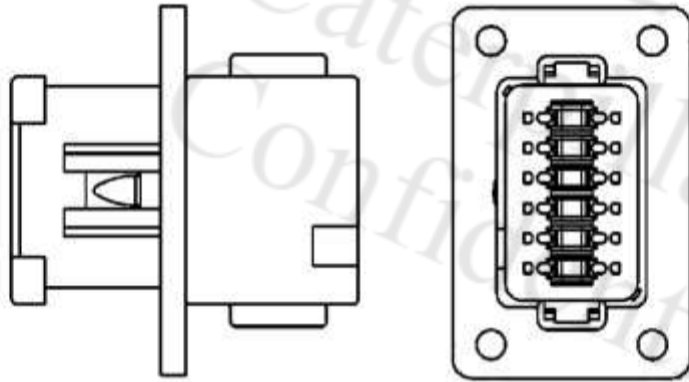


Illustration 55
227-6731 Receptacle Kit (12-PIN)

g03159562

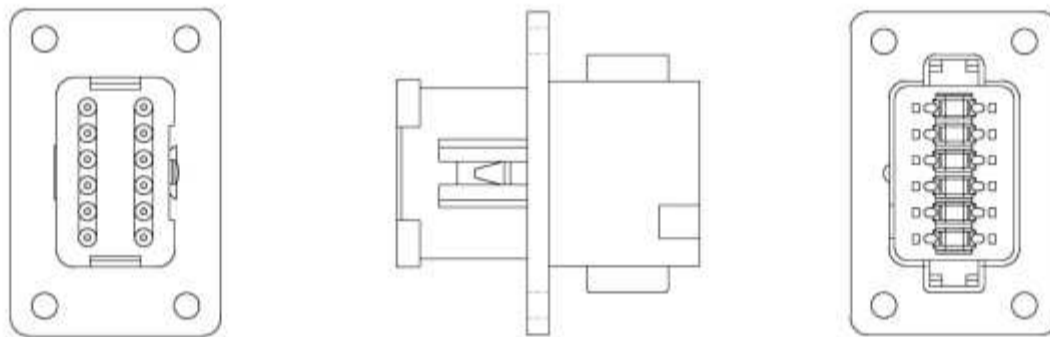


Illustration 56
331-4236 Receptacle Connector Kit

g03159563

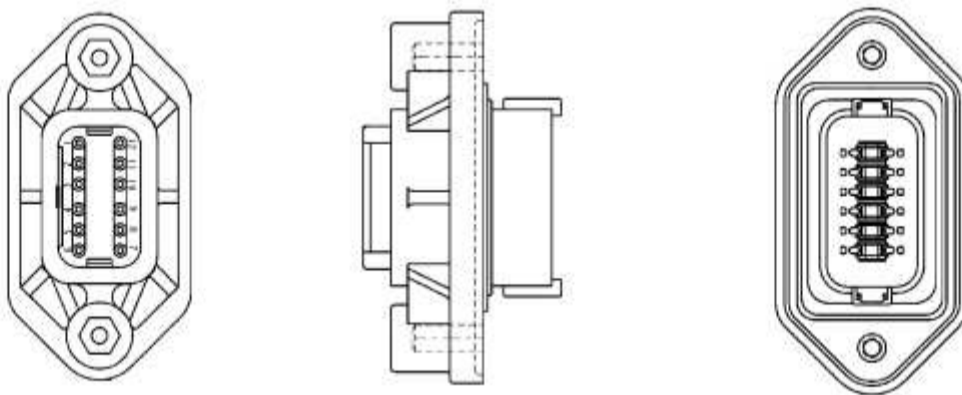
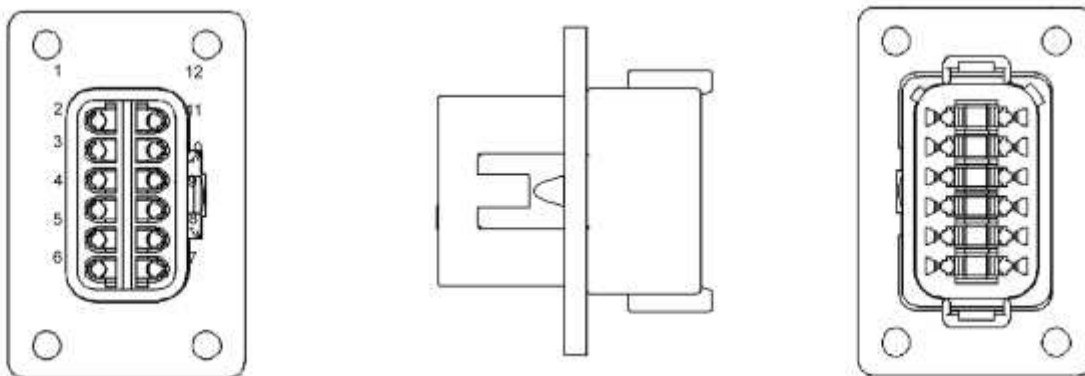
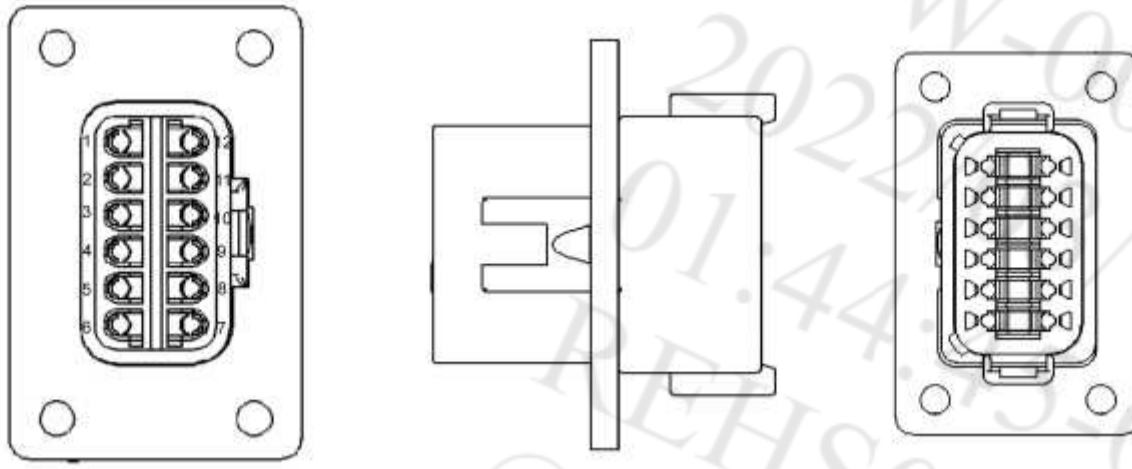


Illustration 57
331-4237 Receptacle Connector Kit

g03159564





DT Replacement Terminals

DT Replacement Terminals			
Description	Wire Size (AWG)	Contact Part Number	Crimp Tool Part Number
Gold Pin	16, 18, and 20	133-0967	1U-5804
Gold Pin	14	126-1767	1U-5804
Nickel Pin	16, 18, and 20	8T-8729	1U-5804
Nickel Pin	14	9W-0852	1U-5804
Gold Socket	16, 18, and 20	9X-3402	1U-5804
Gold Socket	14	126-1768	1U-5804
Gold Socket	16, 18, and 20	133-0969	1U-5804
Nickel Socket	16, 18, and 20	8T-8730	1U-5804
Nickel Socket	14	9W-0844	1U-5804

Table 10

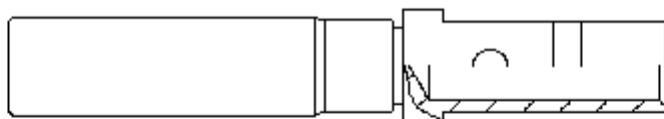
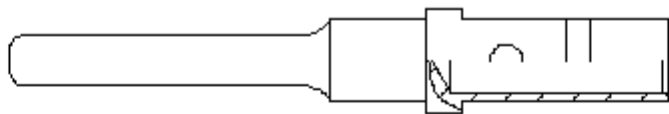




Illustration 62
133-0969 Socket Connector

g03326211



Illustration 63
133-0967 Connector Pin

g03177549

DT Sealing

DT Sealing		
Contact Part Number	Contact Part Name	Description
8T-8737	Seal Plug	Sealing plug
033-6034	O-Ring Seal	4-pin receptacle inside bulkhead mount O-Ring
5L-4019	Retaining Ring	4-pin DT, inside mounting ring (for 113-4630 Connector Receptacle As)
323-7347	O-Ring Seal	2-pin 90 degree receptacle O-Ring seal
6V-0128	Connector Seal	12-pin flange mount receptacle seal

Table 11

DT Service Tools

DT Service Tools		
Contact Part Number	Contact Part Name	Description
147-6456	Wedge Removal Tool	N/A
1U-5804	Crimp Tool (12-GA TO 18-GA)	Contact crimp tool (machined terminals only)

Table 12

DT Back Shells

DT Back Shells		
Contact Part Number	Contact Part Name	Description
311-8743	Connector Adapter	2-Pin DT straight backshell for NC12 conduit
311-8744	Connector Adapter	3-Pin DT straight backshell for NC12 conduit
311-8738	Connector Adapter	3-Pin DT 90 degree backshell for NC12 conduit
311-8745	Connector Adapter	4-Pin DT straight backshell for NC12 conduit
311-8739	Connector Adapter	4-Pin DT 90 degree backshell for NC12 conduit
311-8746	Connector Adapter	6-Pin DT straight backshell for NC12 conduit

311-8740	Connector Adapter	6-Pin DT 90 degree backshell for NC12 conduit
311-8747	Connector Adapter	8-Pin DT straight backshell for NC12 conduit
311-8748	Connector Adapter	12-Pin DT straight backshell for NC12 conduit

Table 13



Illustration 64
311-8743 Connector Adapter

g03178958

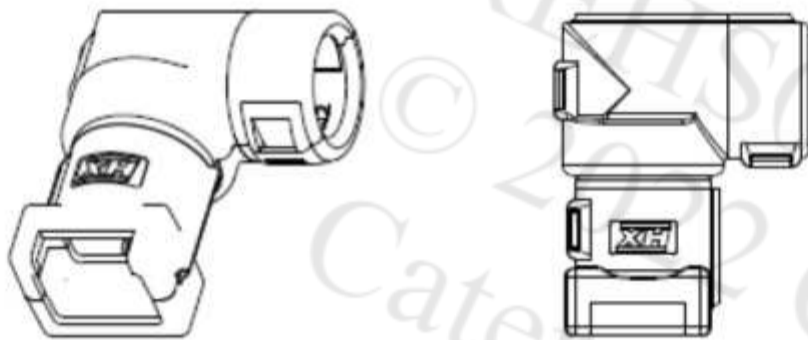


Illustration 65
311-8737 Connector Adapter

g03178976

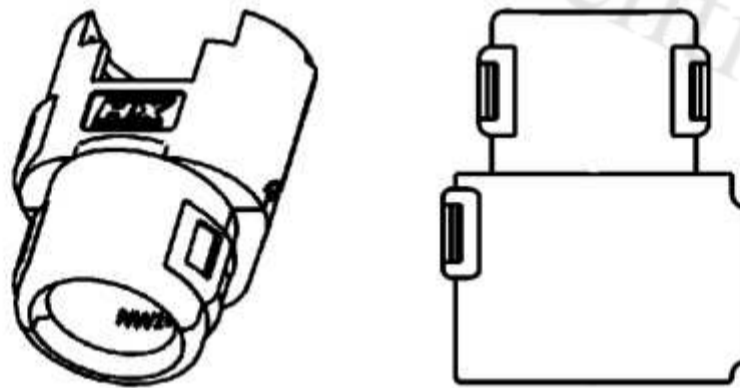


Illustration 66
311-8744 Connector Adapter

g03178996

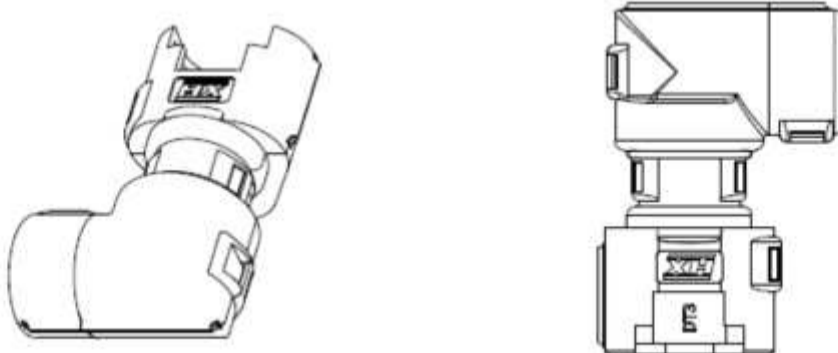


Illustration 67
311-8738 Connector Adapter

g03178999

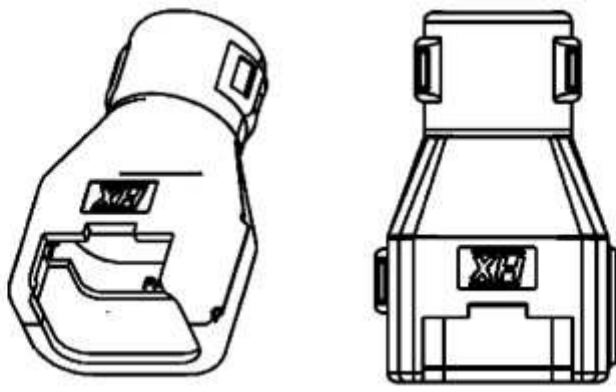


Illustration 68
311-8745 Connector Adapter

g03179016

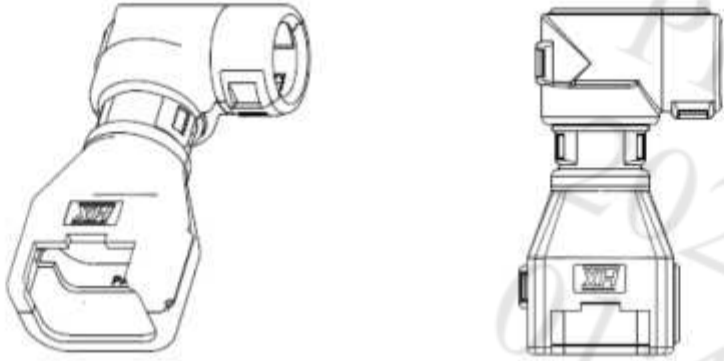


Illustration 69
311-8739 Connector Adapter

g03179018



Illustration 70
311-8746 Connector Adapter

g03179198

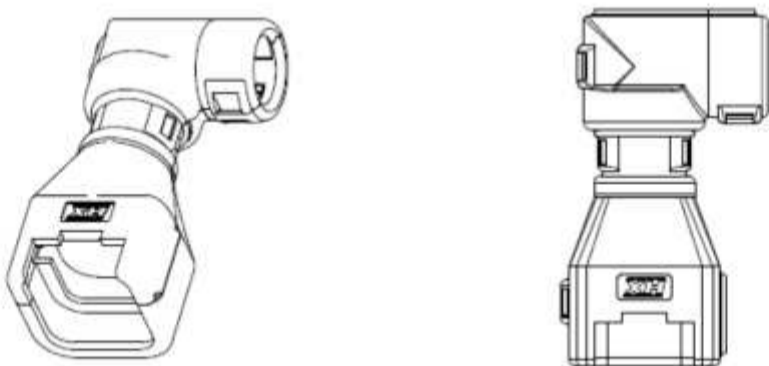


Illustration 71
311-8740 Connector Adapter

g03179221

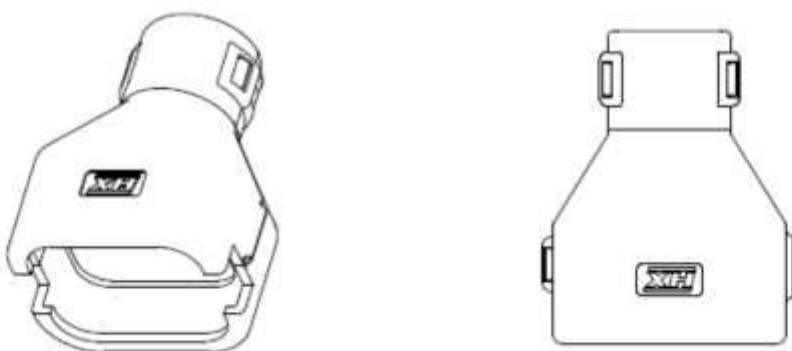


Illustration 72
311-8747 Connector Adapter

g03179231

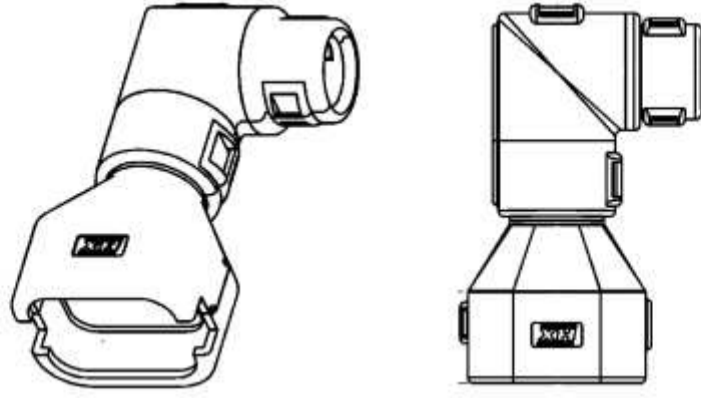


Illustration 73
311-8741 Connector Adapter

g03179238

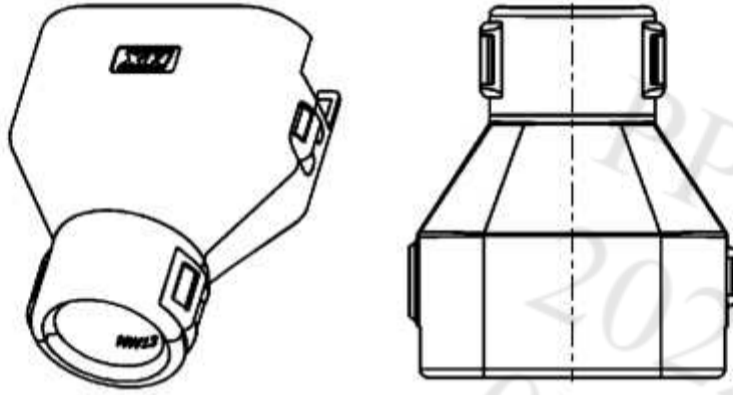


Illustration 74
311-8748 Connector Adapter

g03179248

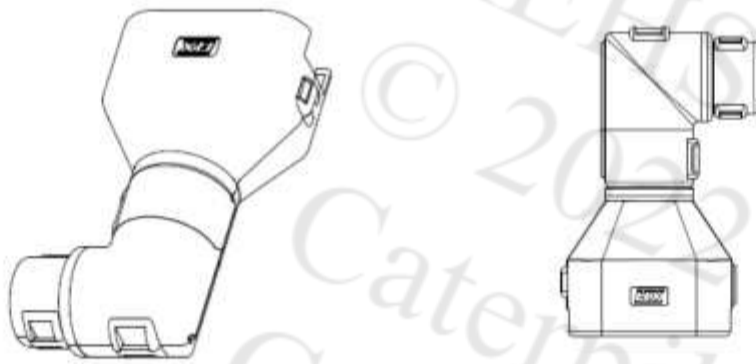


Illustration 75
311-8742 Connector Adapter

g03179277

DT Sealing Caps

DT Sealing Caps		
Contact Part Number	Contact Part Name	Description
274-3774	Connector Cap	2-pin plug sealing cap
274-3775	Connector Cap	3-pin plug sealing cap
274-3776	Seal Cap	4-pin plug sealing cap
274-3777	Connector Cap	6-pin plug sealing cap
274-3778	Seal Cap	8-pin plug sealing cap
274-3779	Seal Cap	12-pin plug sealing cap

Table 14



Illustration 76
274-3774 Connector Cap

g03192981



Illustration 77
274-3775 Connector Cap

g03192983

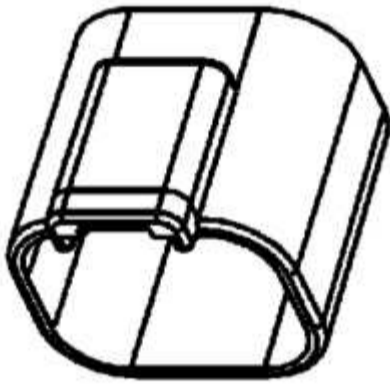


Illustration 78
274-3776 Seal Cap

g03193036

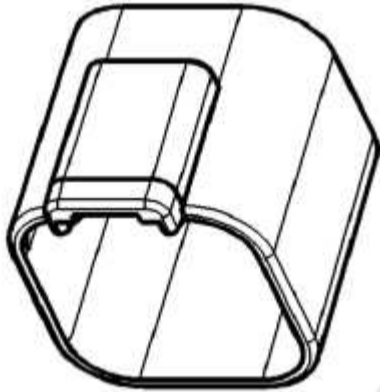


Illustration 79
274-3777 Connector Cap

g03193038

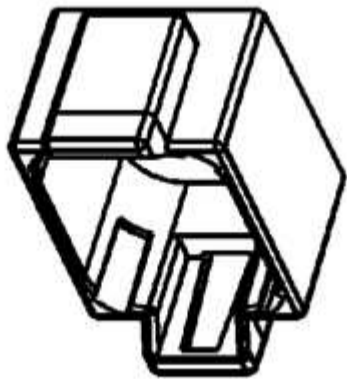


Illustration 80
274-3778 Seal Cap

g03193056

PPW-0000833F
2022/03/01
01:44:45-05:00
REHS0970
© 2022 Caterpillar Inc.
Caterpillar:
Confidential Green

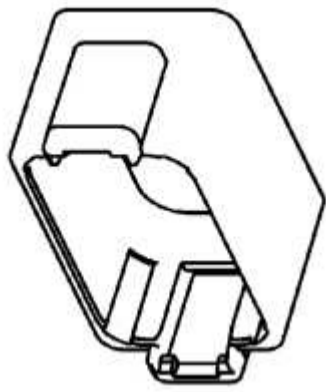


Illustration 81
274-3779 Seal Cap

g03193057

DT Miscellaneous

DT Miscellaneous		
Contact Part Number	Contact Part Name	Description
179-1500	Retainer As	2-pin plug retainer clip
178-0565	Retainer As	2-pin plug retainer clip
130-5300	Clip	Connector mounting clip (DT2, DT3, DT4, DT6, and DT12) - 0.375 inch bolt mount
130-5301	Clip	Connector mounting clip (DT2, DT3, DT4, DT6, and DT12) - 0.500 inch bolt mount
175-3700	Connector Repair Kit	Connector service kit
115-8109 ⁽¹⁾	Connector Socket	Wire splice ⁽²⁾

Table 15

- ⁽¹⁾ Uses the 8T-8729 Connector Pin and the 8T-8730 Connector Socket
⁽²⁾ Refer to Service Magazine, SEPD0342, January 1997, "Field Repair of Single Wire Breaks in Harnesses"

CE Type Connectors - 32 Pin

CE Type Connectors - 32 Pin				
Description	Insulation Size (mm ²)	Caterpillar Part Number	Service Replacement Part Number	Service Tool Part Number
CE 32-37 Receptacle (STD) ⁽¹⁾	1.99 - 3.43	8N-1513	8N-1522	147-6456
CE 32-37 Plug (STD)	1.99 - 3.43	8N-1514	N/A	147-6456
CE 32-37 Receptacle (REV) ⁽²⁾	N/A	3T-3410	561-7451	147-6456
CE 32-37 Plug (REV)	N/A	3T-3412	561-7450	147-6456
CE 32-25 Receptacle (STD)	1.99 - 3.43	8N-1517	8N-1522	147-6456
CE 32-25 Plug (STD)	1.99 - 3.43	8N-1518	N/A	147-6456
CE 32-25 Receptacle (REV)	N/A	3T-3043	561-7447	147-6456
CE 32-25 Plug (REV)	N/A	3T-3044	561-7448	147-6456
CE 32-24 Receptacle (STD)	1.99 - 3.43	8N-1515	8N-1522	147-6456
CE 32-24 Plug (STD)	1.99 - 3.43	8N-1516	N/A	147-6456
CE 32-12 Receptacle (STD)	2.72 - 4.57	8N-1519	8N-1522	147-6456
CE 32-12 Plug (STD)	2.72 - 4.57	8N-1520	N/A	147-6456

Table 16

- ⁽¹⁾ STD - Standard: Plugs (Sockets)/Receptacles (Pins)
⁽²⁾ REV - Reverse: Plug(Pins)/Receptacle(Sockets)

CE Type Connectors - 32 Pin (Model Views)



Illustration 82
8N-1513 Connector Receptacle As

g00916157

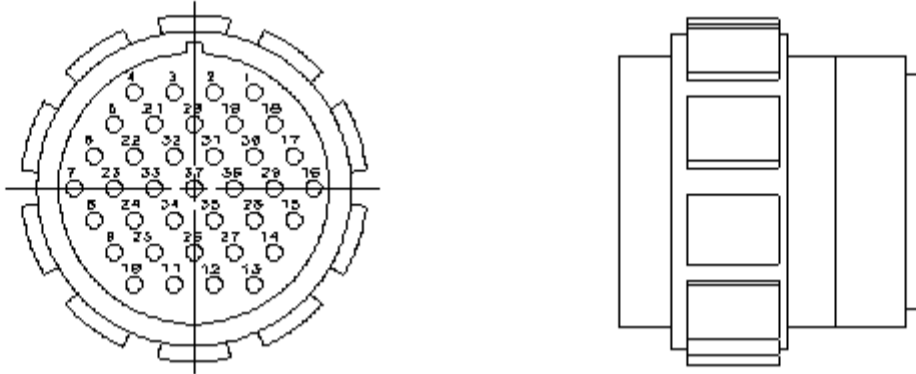


Illustration 83
8N-1514 Connector Plug As

g00916160



Illustration 84
3T-3410 Connector Receptacle As

g00916189

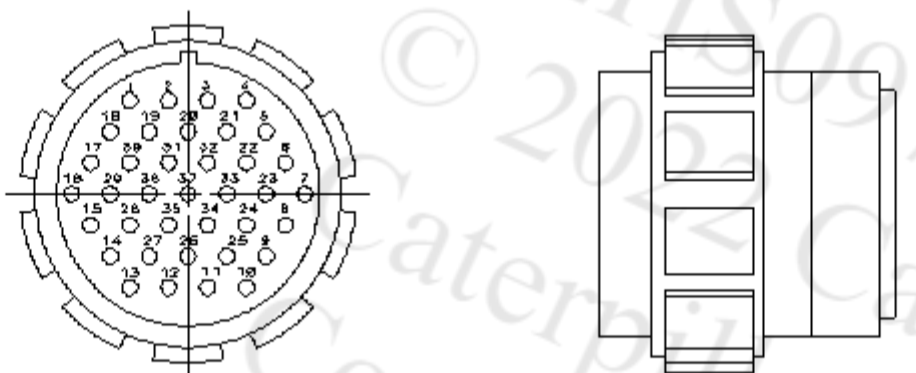


Illustration 85
3T-3412 Connector Plug As

g00916207



Illustration 86
3T-7407 Receptacle As

g00916212

01:44:45-05:00
REHS0970
© 2022 Caterpillar
Confidential Green
0000833F

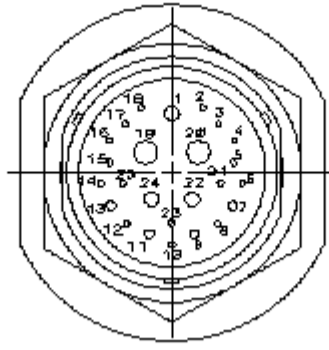
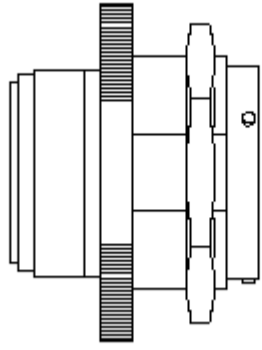


Illustration 87
8N-1517 Connector Receptacle As

g00916214

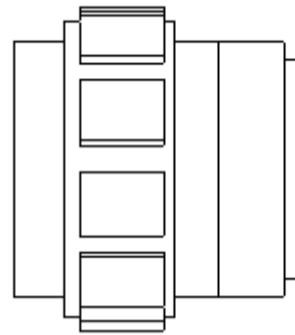
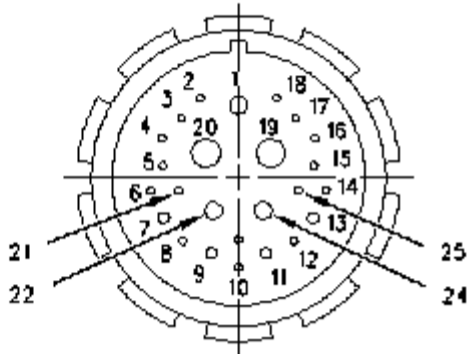


Illustration 88
8N-1518 Connector Plug As

g00925358

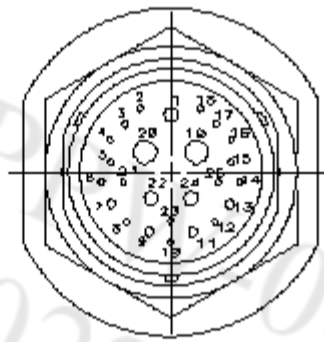
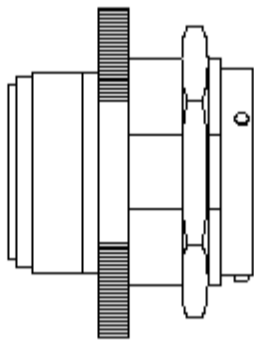


Illustration 89
3T-3043 Connector Receptacle As

g00916218

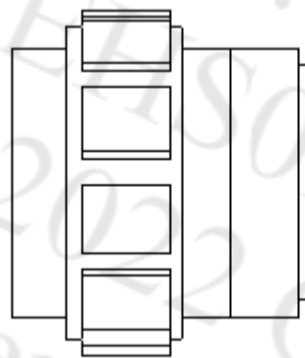
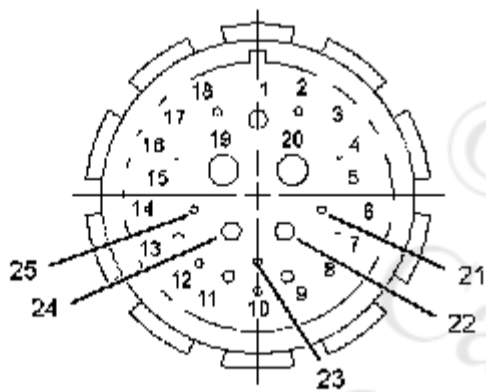
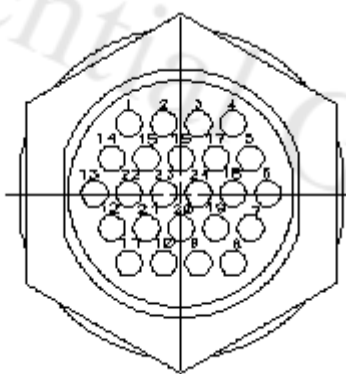
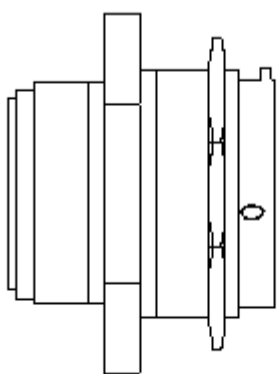


Illustration 90
3T-3044 Connector Plug As

g03326532



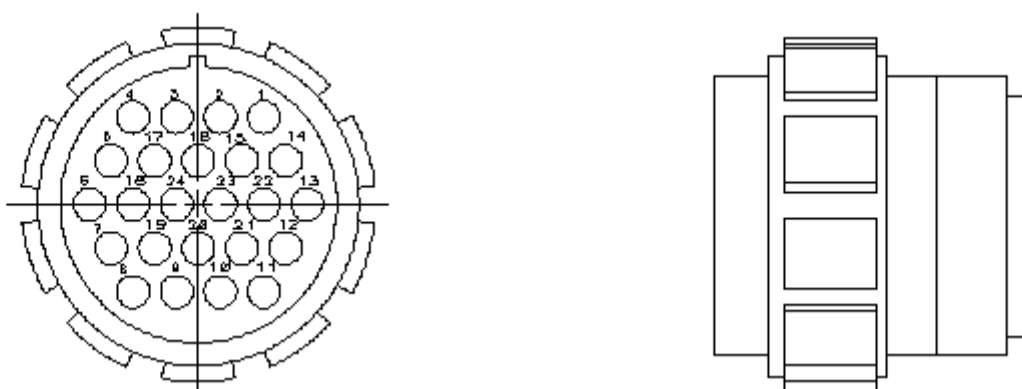


Illustration 92
8N-1516 Connector Plug As



Illustration 93
8N-1519 Connector Receptacle As

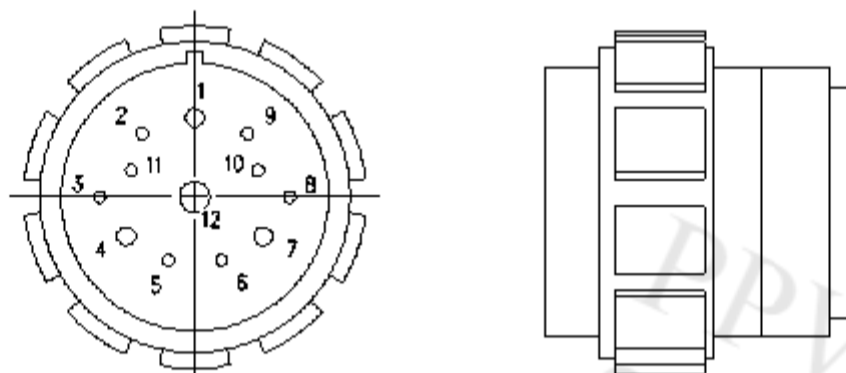


Illustration 94
8N-1520 Connector Plug As

CE Type Connectors - 24 Pin

CE Type Connectors - 24 Pin				
Description	Insulation Size (mm ²)	Caterpillar Part Number	Service Replacement Part Number	Service Tool Part Number
CE 24-20 Receptacle (STD) ⁽¹⁾	2.54 - 3.43	8N-1534	8N-1536	147-6456
CE 24-20 Receptacle (STD) ⁽²⁾	N/A	3T-3972	8N-1536	147-6456
CE 24-20 Receptacle (STD) ⁽²⁾	N/A	7X-1167	8N-1536	147-6456
CE 24-15 Receptacle (STD)	1.99 - 3.43	8N-1526	8N-1536	147-6456
CE 24-14 Receptacle (STD)	1.99 - 3.43	8N-1528	8N-1536	147-6456
CE 24-14 Receptacle (STD) ⁽²⁾	1.99 - 3.43	9X-9585	8N-1536	147-6456
CE 24-12 Receptacle (STD)	1.99 - 3.43	8N-1530	8N-1536	147-6456
CE 24-7 Receptacle (STD)	1.99 - 3.43	8N-1532	8N-1536	147-6456

CE 24-11 Receptacle (STD)	1.99 - 3.43	7G-8237	8N-1536	147-6456
---------------------------	-------------	---------	---------	----------

Table 17

- (1)
- (2) STD - Standard: Plugs (Sockets)/Receptacles (Pins)
Mates with 8N-1525 Connector Plug.

CE Type Connectors - 24 Pin (Model Views)

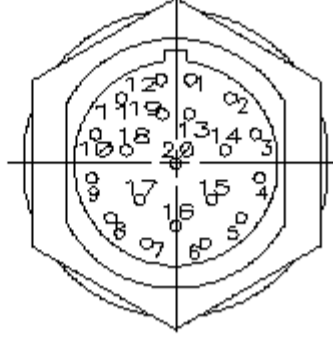
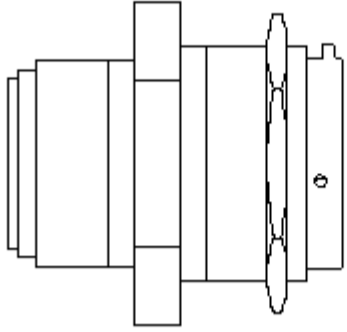


Illustration 95
8N-1534 Connector Receptacle As

g00916251

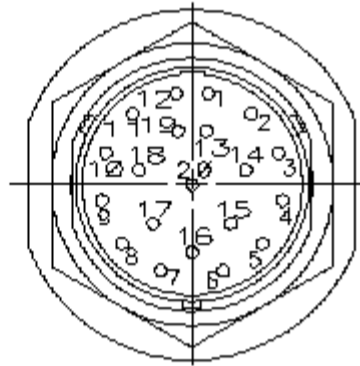
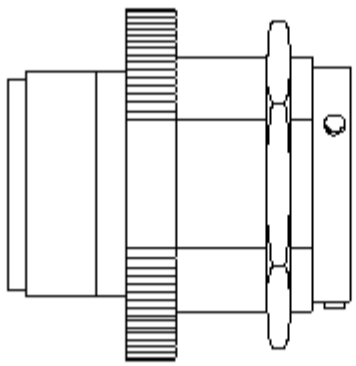


Illustration 96
3T-3972 Receptacle As

g00916272

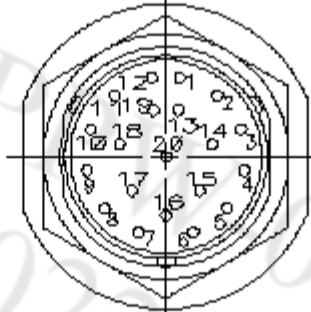
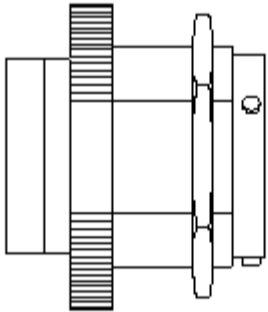


Illustration 97
7X-1167 Receptacle As

g00916275

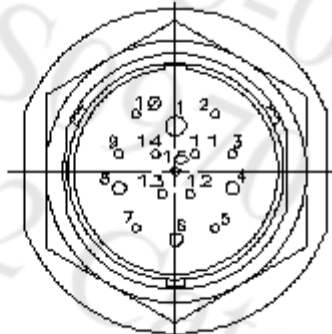
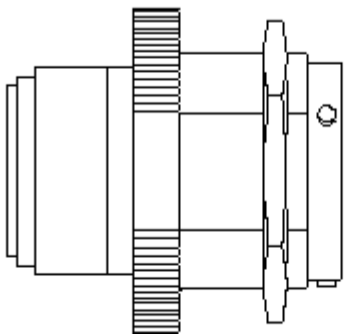


Illustration 98
8N-1526 Connector Receptacle As

g00916279

2022/03/01 01:44:45-05:00
 REHS
 © 2022 Caterpillar Inc.
 Confidential

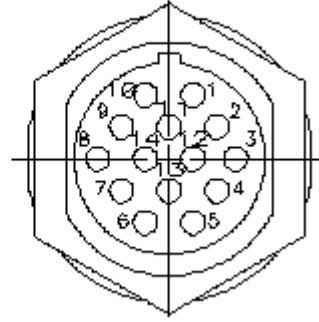
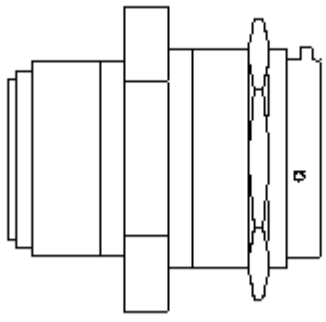


Illustration 99
8N-1528 Receptacle As

g00916294

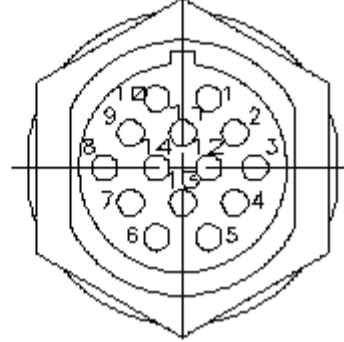
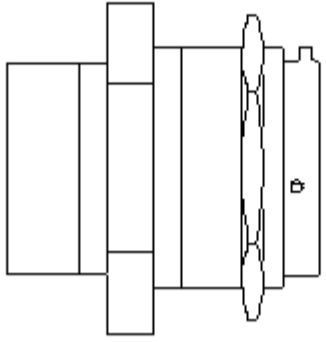


Illustration 100
9X-9585 Receptacle As

g00916303

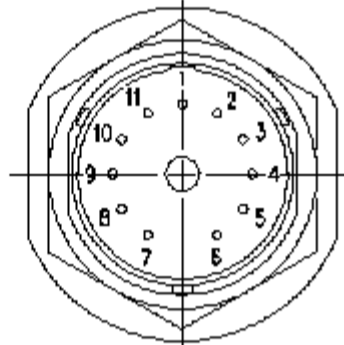
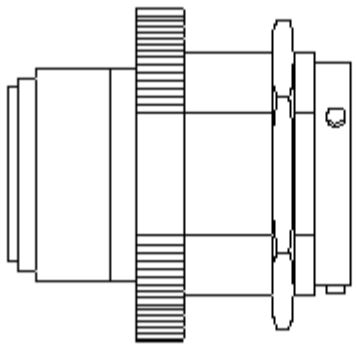


Illustration 101
8N-1530 Receptacle As

g00925462

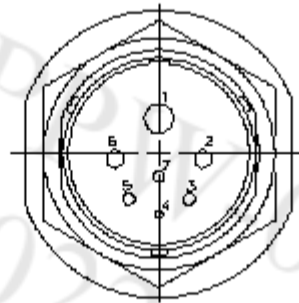
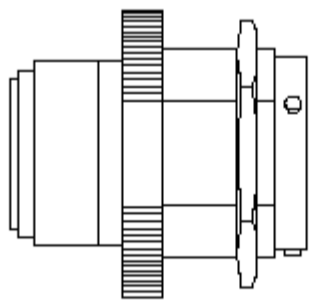


Illustration 102
8N-1532 Connector Receptacle As

g00916310

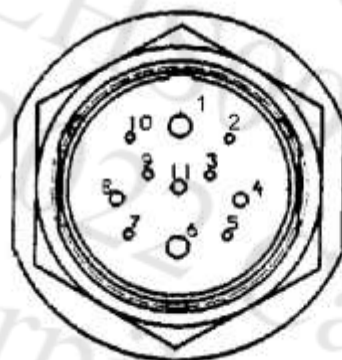
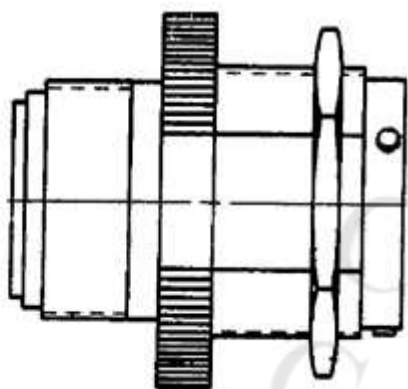


Illustration 103
7G-8237 Receptacle As

g03193198

CE Terminals, Plugs, and Caps

CE Terminals

CE Terminals		
Caterpillar Part Number	Caterpillar Part Name	Description
9X-6856	Connector Pin	CE 16-18 Pin (machined)
9X-6857	Connector Socket	CE 16-18 Socket (machined)
8N-1540	Connector Pin	CE 12-14 Pin
8N-1541	Connector Socket	CE 12-14 Socket
8N-1542	Connector Pin	CE 10 Pin
8N-1543	Connector Socket	CE 10 Socket
8N-1544	Connector Pin	CE 8 Pin
8N-1545	Connector Socket	CE 8 Socket
8N-1546	Connector Pin	CE 6 Pin
8N-1547	Connector Socket	CE 6 Socket
8N-1548	Connector Pin	CE 4 Pin
8N-1549	Connector Socket	CE 4 Socket

Table 18

CE Wire Cavity Sealing Plug

CE Wire Cavity Sealing Plug		
Caterpillar Part Number	Caterpillar Part Name	Description
7G-7917	Seal Plug	CE 16-18 Sealing Plug
7G-7918	Seal Plug	CE 12-14 Sealing Plug
7G-7919	Seal Plug	CE 8-10 Sealing Plug
7G-7920	Seal Plug	CE 4-6 Sealing Plug

Table 19

CE Caps

CE Caps		
Caterpillar Part Number	Caterpillar Part Name	Description
6V-1827	Protection Cap	Cap - Dust (CE 32 Receptacle)
5P-8922	Protection Cap	Cap - Dust (CE 32 Plug)
6V-1830	Protection Cap	Cap - Dust (CE 24 Receptacle)
6V-1824	Protection Cap	Cap - Dust (CE 24 Plug)
9G-4360	Connector Cap	Cap - Locking (CE 24 Receptacle)
9G-4361	Connector Cap	Cap - Locking (CE 24 Plug)
6T-0453	Gasket	Gasket (CE 24)
3T-3368	Gasket	Gasket (CE 32)

Table 20

CE Hardware and Service Tools

CE Hardware

CE Hardware		
Caterpillar Part Number	Caterpillar Part Name	Description
8N-1521	End Bell As	CE 32 Endbell
8N-1535	End Bell As	CE 24 Endbell
9X-6772	Cable Strap	CE Tie Strap

8N-1523	Lockwasher	CE 32 Lockwasher
8N-1537	Lockwasher	CE 24 Lockwasher
8N-1522	Nut	CE 32 Jam Nut
8N-1536	Nut	CE 24 Jam Nut
6V-2693	Washer	CE 32 Washer-Seal
6V-2694	Washer	CE 24 Washer-Seal

Table 21

CE Service Tools

CE Service Tools		
Caterpillar Part Number	Caterpillar Part Name	Description
4C-4074	Contact Removal Tool (16-GA TO 18-GA)	CE 16 Removal Tool
4C-4073	Contact Removal Tool (12-GA)	CE 12 Removal Tool
4C-4072	Contact Removal Tool (8-GA TO 10-GA)	CE 8 Removal Tool
4C-4071	Contact Removal Tool (4-GA TO 6-GA)	CE 4 Removal Tool
8T-5319	Connector Tool Group	CE Removal Tool Kit (includes 1 each of the above tools)
1U-5804	Crimp Tool (12-GA TO 18-GA)	Hand Crimp Tool (DT, HD10, DRC, CE12, CE14, and CE16)
4C-4075	Crimp Tool (4-GA TO 10-GA)	Hand Crimp Tool (CE4, CE6, CE8, and CE10)

Table 22

MS3100 Type Connectors

MS3100 Type Connectors			
Description	Insulation Size (mm ²)	Caterpillar Part Number	Wire Size (AWG)
3-pin Silver receptacle	0.8 - 1	434-1463	N/A
3-pin Silver receptacle	N/A	418-6706	12 - 14
3-pin Silver receptacle	N/A	418-6711	12 - 14
3-pin receptacle	N/A	418-6702	12 - 14
3-pin Silver receptacle	N/A	418-6717	12 - 14
4-pin receptacle	N/A	2G-0881	16
6-pin receptacle	N/A	122-1750	16
6-pin Silver receptacle	0.8 - 1	363-8983	N/A
7-pin Silver receptacle	N/A	418-6697	12 - 14
7-pin Silver receptacle	N/A	418-6691	12 - 14
9-pin receptacle	N/A	7D-4431	8 - 12
10-pin receptacle	N/A	9D-3977	16
16-pin receptacle	N/A	6D-8177	12 - 16
3-pin receptacle	N/A	135-3477	8
5-pin receptacle	N/A	9D-3374	16
6-pin connector	N/A	7R-7029	N/A
10-pin receptacle	N/A	118-2974	16

Table 23

MS 3101 Type Connectors

MS 3101 Type Connectors			
Description	Insulation Size (mm ²)	Caterpillar Part Number	Wire Size (AWG)
2-pin Silver receptacle	0.8 - 1	329-9468	N/A
4-pin receptacle	N/A	9X-0483	16
6-pin Silver receptacle	1	303-4244	N/A
7-pin Silver receptacle	N/A	574-1576	12 - 16
14-pin Silver receptacle	N/A	546-0907	16 - 18

14-pin receptacle	N/A	164-9304	16
14-pin Silver receptacle	1 - 3	307-7579	N/A
40-pin receptacle	N/A	9X-4186	12 - 16
2-pin receptacle	N/A	3E-7390	16
3-pin receptacle	N/A	152-6774	16

Table 24

MS 3102 Type Connectors

MS 3102 Type Connectors			
Description	Insulation Size (mm²)	Caterpillar Part Number	Wire Size (AWG)
2-position Silver receptacle	1	9X-3406	N/A
2-position Silver receptacle	3	131-4880	N/A
2-position Silver receptacle	50	131-4725	N/A
3-position Silver receptacle	N/A	467-2776	8
3-position Silver receptacle	N/A	418-6707	N/A
4-position Silver receptacle	1	117-9564	N/A
4-position Silver receptacle	1	9X-6987	N/A
4-position Silver receptacle	1	169-6807	N/A
4-position Silver receptacle	1	9D-5422	N/A
5-position Silver receptacle	1	3E-5136	N/A
6-position Silver receptacle	1	9X-0481	N/A
3-position Silver receptacle ⁽¹⁾	N/A	418-6689	4 - 6
3-position Silver receptacle ⁽²⁾	N/A	418-6689	16 - 18
7-position Silver receptacle	N/A	131-4881	16
8-position Silver receptacle	1	9X-4403	N/A
10-position Silver receptacle	1	5S-3657	N/A
10-position Silver receptacle	1	9D-5421	N/A
14-position Silver receptacle	1	9D-5423	N/A
14-position Silver receptacle	1	154-3187	N/A
26-position receptacle	1.99 - 3.43	104-6859	16 - 18
6-position Silver receptacle	3	9X-8062	20
24-position Silver receptacle	1	9X-8062	10
54-position Silver receptacle	1	140-2052	N/A

Table 25

- ⁽¹⁾ A, B, and C locations.
⁽²⁾ D, E, and F locations.

MS 3102 Type Connectors (Model Views)

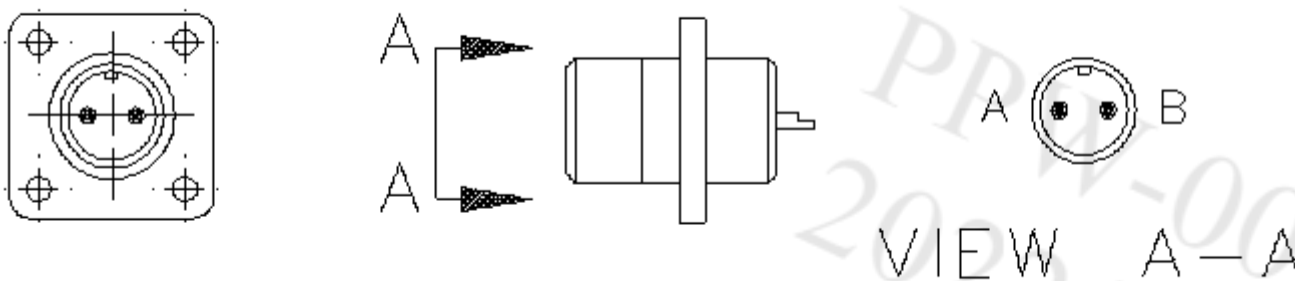


Illustration 104
 9X-3406 Connector Receptacle As

g00925525

MS 3106 Type Connectors

MS 3106 Type Connectors			
Description	Insulation Size (mm ²)	Caterpillar Part Number	Wire Size (AWG)
2-position Silver plug	N/A	6T-7364	16
2-position Silver plug	N/A	9X-4745	16
3-position Silver plug	N/A	6I-0755	16
3-position Silver plug	N/A	434-1467	8
3-pin Silver plug	N/A	418-6708	12 - 14
3-pin Silver plug	N/A	418-6712	12 - 14
3-pin Silver plug	N/A	418-6704	12 - 14
3-pin Silver plug	N/A	418-6718	12 - 14
4-pin Silver plug	N/A	9D-5424	16
5-pin Silver plug	N/A	6D-5457	16
5-pin Silver plug	N/A	9D-5426	16
6-pin Silver plug	N/A	9X-4385	16
7-pin Silver plug	N/A	306-5602	12
7-pin Silver plug	N/A	418-6693	12 - 14
7-pin Silver plug	N/A	418-6698	12 - 14
8-pin plug	N/A	9X-4402	16
7-pin Silver plug ⁽¹⁾	N/A	6D-5257	16
1-pin Silver plug ⁽²⁾	N/A	6D-5257	12
7-pin Silver plug ⁽¹⁾	N/A	3R-9965	16
1-pin Silver plug ⁽²⁾	N/A	3R-9965	12
9-pin plug ⁽³⁾	N/A	7D-4432	12
9-pin plug ⁽⁴⁾	N/A	7D-4432	8
10-pin Silver plug	N/A	6D-8149	16
10-pin Silver plug	N/A	288-2710	16
10-pin plug	N/A	3E-6486	N/A
12-pin Shell plug	N/A	2R-0790	N/A
14-pin Silver plug	N/A	154-3172	16
14-pin Silver plug	N/A	6D-5256	16
16-pin plug ⁽⁵⁾	N/A	6D-8151	16
16-pin plug ⁽⁶⁾	N/A	6D-8151	12
17-pin Silver plug	N/A	576-8851	16
26-pin plug	N/A	154-3185	16
30-pin plug ⁽⁷⁾	N/A	9X-9867	16
30-pin plug ⁽⁸⁾	N/A	9X-9867	12
30-pin plug ⁽⁷⁾	N/A	7N-7792	16
30-pin plug ⁽⁸⁾	N/A	7N-7792	12
47-pin plug ⁽⁹⁾	N/A	9X-4187	16
47-pin plug ⁽¹⁰⁾	N/A	9X-4187	12
2-pin Silver plug	N/A	5S-7433	16
2-pin Silver plug	N/A	131-4726	0
3-pin Silver plug	N/A	9D-3955	16
3-pin Silver plug	N/A	3E-1803	16
4-pin Silver plug	N/A	6N-4568	16
4-pin Silver plug	N/A	169-6808	16
6-pin Silver plug	0.8 - 1	363-8982	N/A
6-pin Silver plug	N/A	1Q-5094	16
7-pin Silver plug	N/A	3E-6493	16
10-pin plug	N/A	118-2967	16
37-pin Silver plug	N/A	3E-5412	16 - 20
54-pin Silver plug	N/A	3E-5414	16

2-pin connector	N/A	149-5926	16
2-pin plug	N/A	234-9722	16
5-pin plug	N/A	8C-6313	16
7-pin plug ⁽¹¹⁾	N/A	140-3064	16
7-pin plug ⁽¹²⁾	N/A	140-3064	12
8-pin connector	N/A	149-5925	16
10-pin plug	N/A	9D-5427	16
6-pin Silver plug	0.8 - 1	241-8153	N/A
6-pin Silver plug	0.8 - 1	253-2695	N/A
54-pin plug	N/A	101-3436	16

Table 26

- (1) A, B, C, D, E, F, and G locations.
(2) H location.
(3) 6 size with A-C and G-I locations.
(4) 3 size with D-F locations
(5) 14 size with A- M and O locations.
(6) 2 size with N and P locations.
(7) 24 size with A- L, T-Z, and a-e locations.
(8) 6 size with M-S locations.
(9) 40 size with A-Z, and a-s locations.
(10) 7 size with t-z locations.
(11) 5 size with B, C, E, F, and G locations.
(12) 2 size with A and D locations.

MS 3108 Type Connectors

MS 3108 Type Connectors			
Description	Insulation Size (mm ²)	Caterpillar Part Number	Wire Size (AWG)
2-pin Silver plug	N/A	7W-5193	16
2-pin plug	N/A	4P-3857	16
2-pin plug	N/A	131-4883	12
3-pin plug	N/A	4G-2544	16
3-pin Silver plug	N/A	418-6709	12 - 14
3-pin Silver plug	N/A	418-6705	12 - 14
3-pin Silver plug	N/A	418-6716	12 - 14
5-pin Silver plug	N/A	9X-9656	12
7-pin Silver plug	N/A	6T-4920	16
7-pin Silver plug	N/A	418-6714	12 - 14
10-pin Silver plug	N/A	7D-1962	16
17-pin Silver plug	N/A	7W-6619	16
24-pin Silver plug	N/A	290-5639	16
2-pin plug	N/A	8L-8422	16
3-pin plug	N/A	9X-0482	16
3-pin plug	N/A	116-4592	16
3-pin plug	3.85 - 6.22	105-9151	8 - 10
4-pin plug	N/A	131-4885	16
4-pin plug	N/A	8L-8424	16
6-pin plug	N/A	8T-9605	16
7-pin plug ⁽¹⁾	N/A	3E-1802	16
7-pin plug ⁽²⁾	N/A	3E-1802	12
10-pin connector	N/A	124-7374	16
10-pin plug	N/A	118-5472	16
14-pin plug	N/A	7W-6617	16
17-pin plug	N/A	4W-4293	16
42-pin plug	1.99 - 3.43	105-9154	16 - 18

Table 27

- (1) B, C, and E-G locations.
(2)

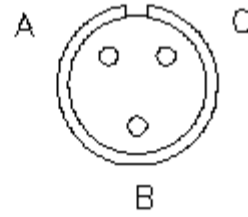
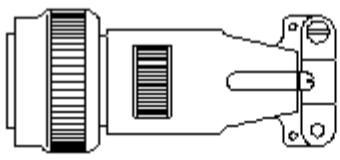
2 size with A and D locations.

Straight MS Plugs

Straight MS Plugs	
Caterpillar Part Number	Caterpillar Part Name
9D-3955	Connector Plug As
5S-7433	Connector Plug As
3E-6493	Connector Plug As
3E-6488	Connector Plug As
6T-7364	Connector As
9D-5424	Connector
6D-5457	Plug As
9D-5426	Connector
9X-4385	Connector Plug As
9X-4745	Connector Plug As
3E-6486	Connector Plug As
6D-8149	Connector Plug As
6D-5256	Plug

Table 28

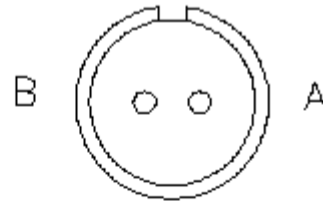
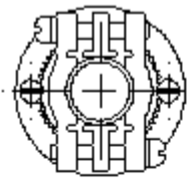
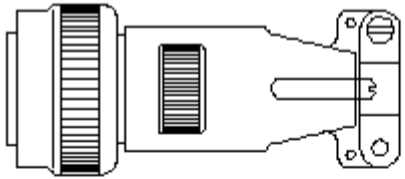
Straight MS Plugs (Model Views)



VIEW A-A

Illustration 105
9D-3955 Connector Plug As

g00914797



VIEW A-A

Illustration 106
5S-7433 Connector Plug As

g00914810

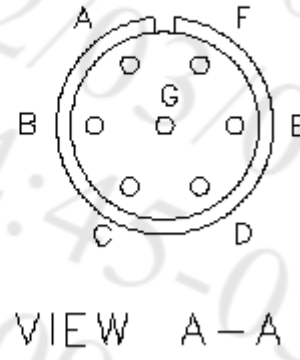
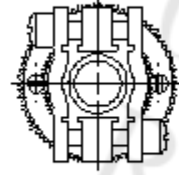
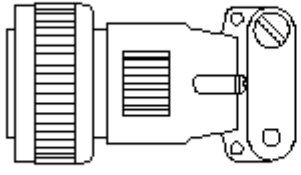


Illustration 107
3E-6493 Connector Plug As

g00914822

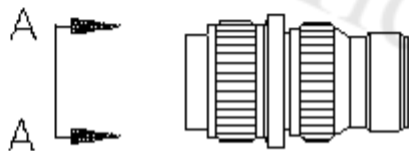
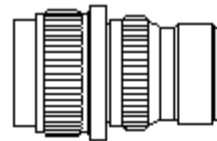
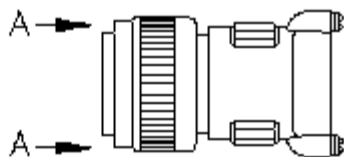


Illustration 108
3E-6488 Connector Plug As

g00915061



OPTIONAL DESIGN

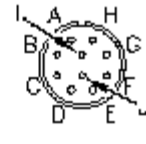
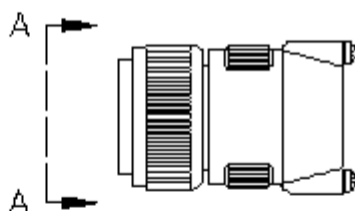


Illustration 109
6D-8149 Connector Plug As

g00915195



OPTIONAL DESIGN

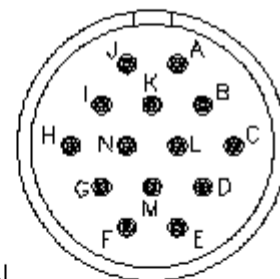


Illustration 110
6D-5256 Plug As

g00915207

Right Angle MS Plugs

Caterpillar Part Number	Caterpillar Part Number
7W-5193	Connector
9X-0482	Connector Plug As
8L-8424	Connector
7W-6617	Connector As
3E-1802	Connector Plug As

Table 29

Right Angle MS Plugs (Model Views)

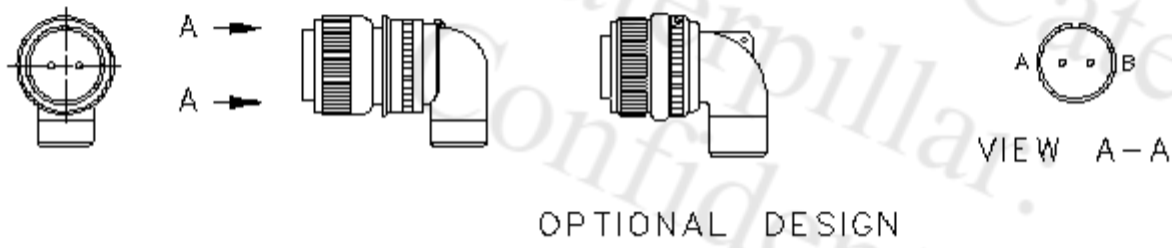


Illustration 111
7W-5193 Connector

g00915420

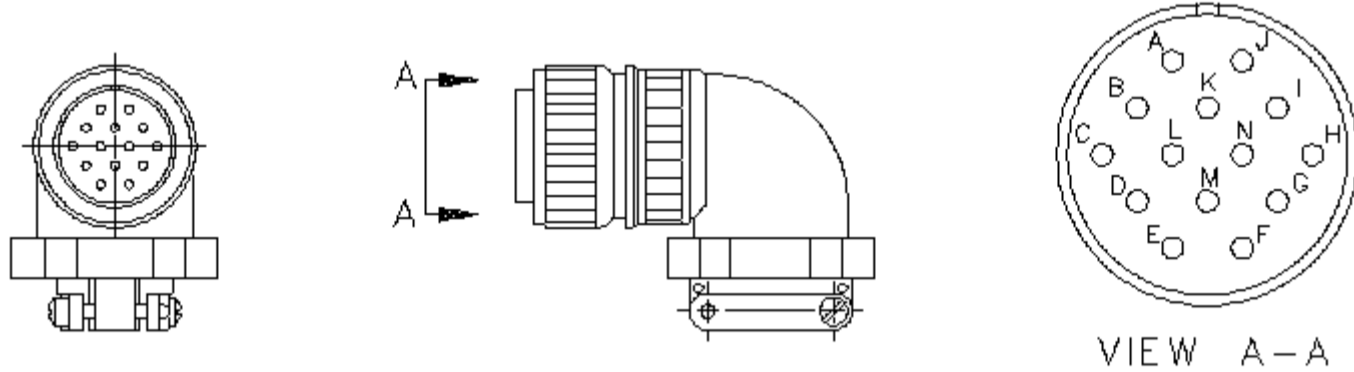


Illustration 112
7W-6617 Connector As

g00915671

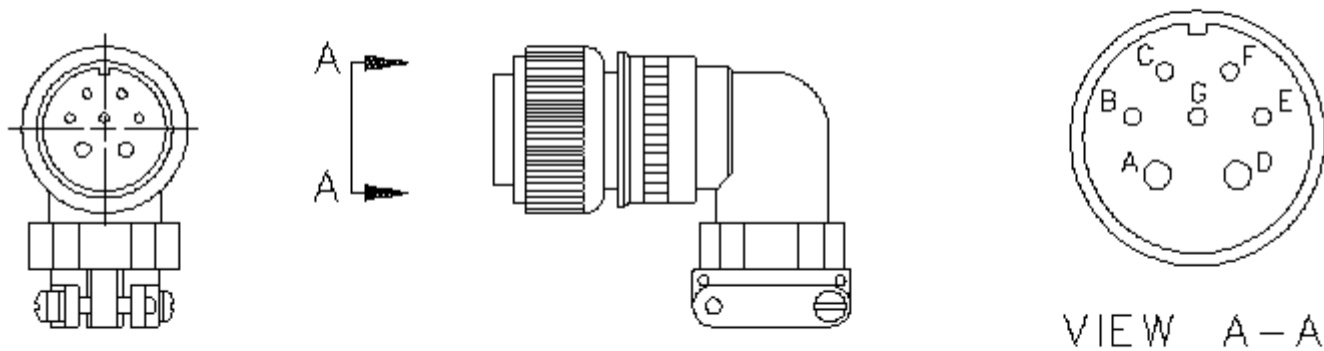


Illustration 113
3E-1802 Connector Plug As

g00915675

MS Receptacle Caps

MS Receptacle Caps	
Description	Caterpillar Part Number
Connector Cap	234-5895
Connector Cap	159-2927
Connector Cap	3E-5165
Connector Cap	135-5011
Connector Cap	7R-3029
Connector Cap	7R-3027
Connector Cap	449-5181
Connector Cap	449-5178
Connector Cap	159-2928
Connector Cap	449-5182
Connector Cap	449-5179
Connector Cap	104-6865
Connector Cap	104-6866
Connector Cap	449-5183
Connector Cap	449-5180
Connector Cap	246-6506
Connector Cap	131-4730
Connector Cap	105-9161

Table 30

MS Plug Caps

MS Plug Caps	
Caterpillar Part Number	Caterpillar Part Name
234-5896	Plug
243-5362	Dust Cap
275-1208	Connector Cap As
104-6868	Cap

Table 31

TYCO Electronics/AMP Inc. Contacts (ADEM III)

TYCO Electronics/AMP Inc. Contacts (ADEM III)				
Caterpillar Part Number	Description	Service Replacement Part Number	Insulation Size (mm ²)	Wire Size (AWG)
144-1636	14 / 16 / 18 Gold Connector Pin	9X-3401	1.95 - 3.94	18 - 14
9X-3401	16 / 18 Gold Connector Pin	N/A	N/A	20 - 16
9X-3402	16 / 18 Gold Connector Socket	N/A	N/A	20 - 16
126-1767	14 Gold Connector Pin	N/A	N/A	14
126-1768	14 Gold Connector Socket	N/A	N/A	14

Table 32

TYCO Electronics/AMP Inc. Contacts (ADEM III) (Model Views)

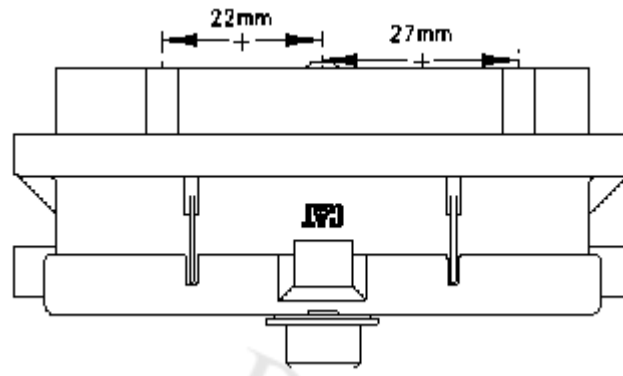
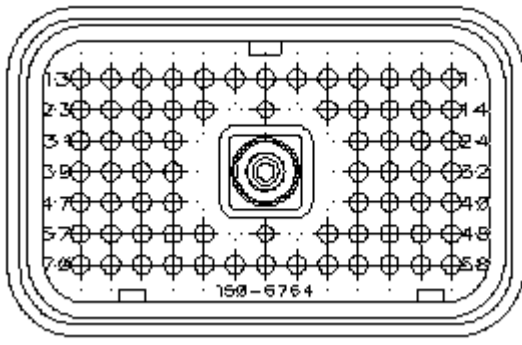


Illustration 114
150-6764 Connector Plug As

g00915865

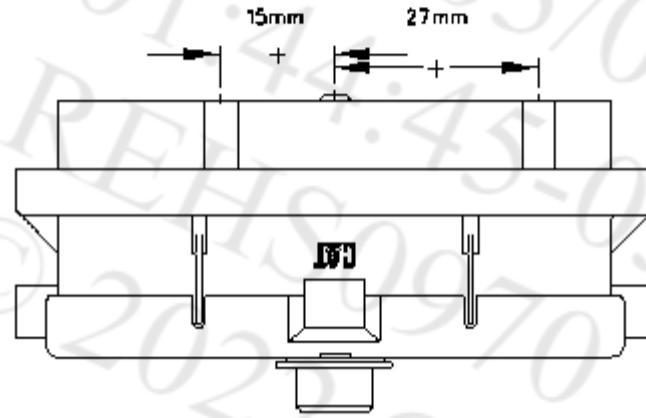
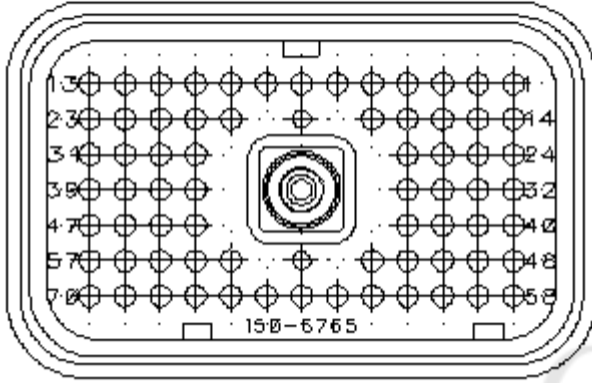


Illustration 115
150-6765 Connector Plug As

g00915884

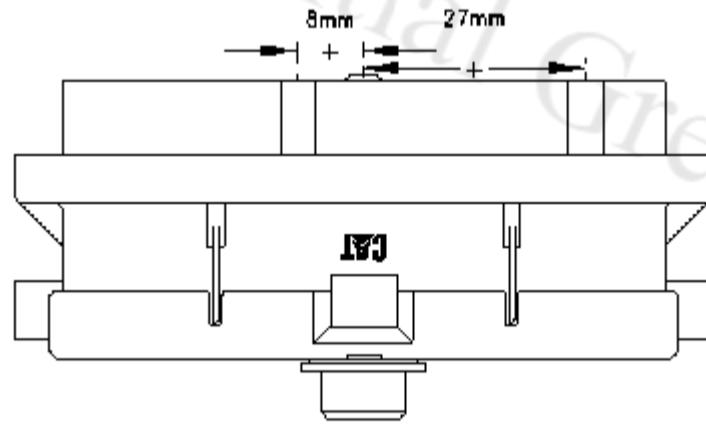
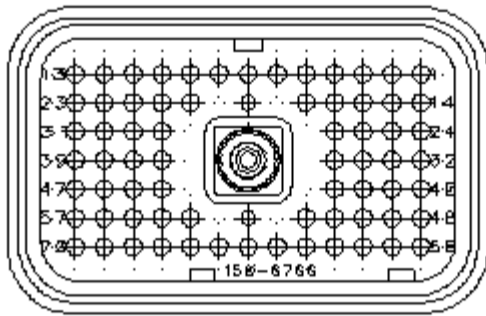


Illustration 116
150-6766 Connector Plug As

g00915924

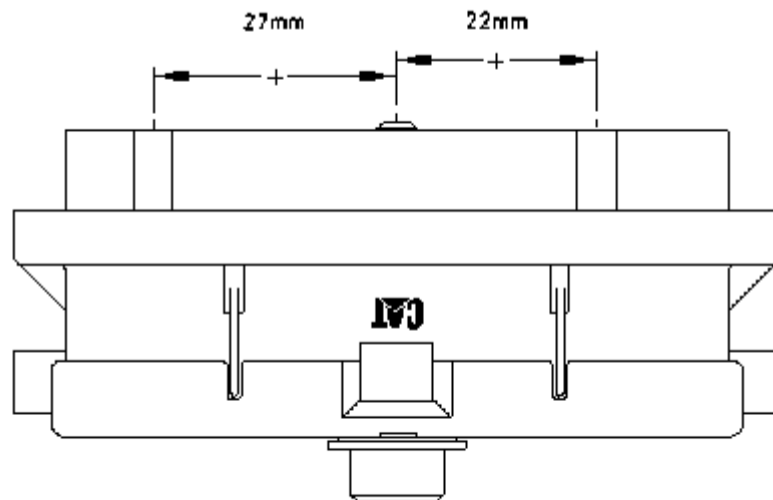
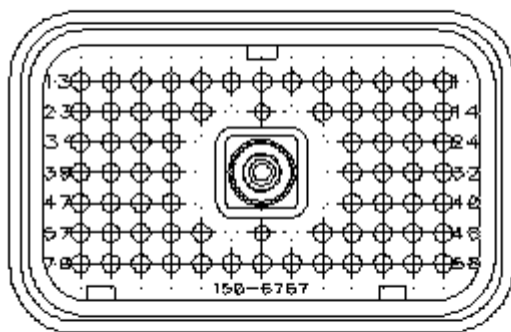


Illustration 117
150-6767 Connector Plug As

g00915954

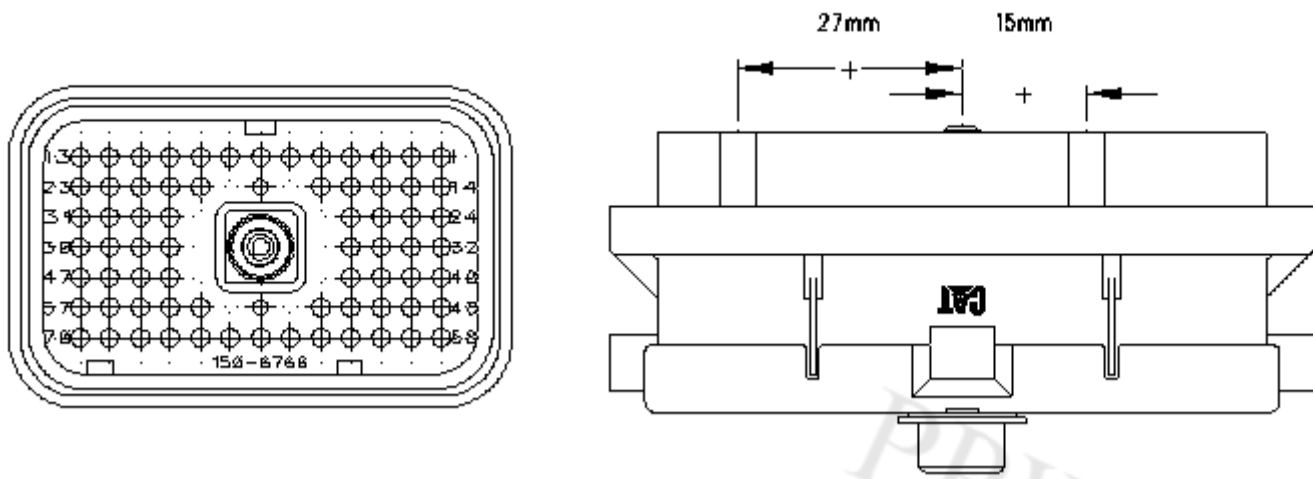


Illustration 118
150-6768 Connector Plug As

g00915962

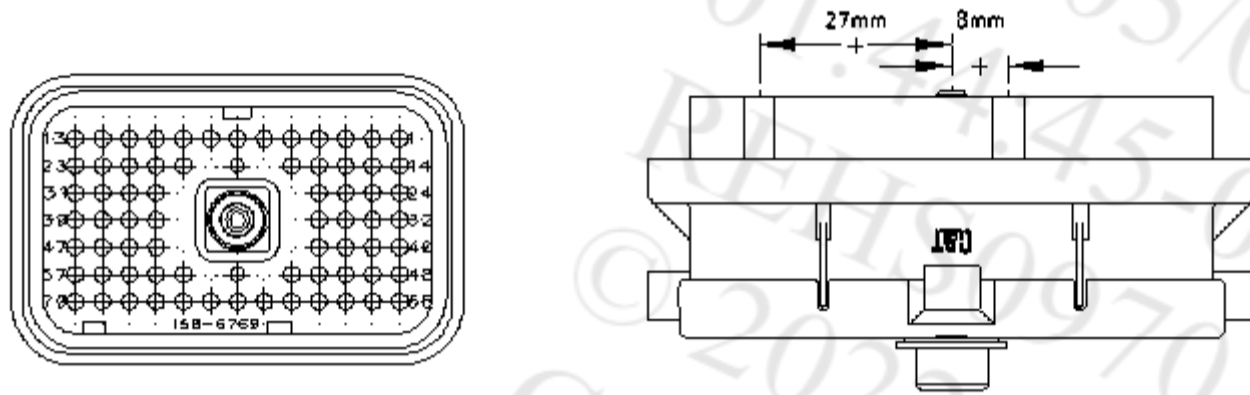


Illustration 119
150-6769 Connector Plug As

g00916448

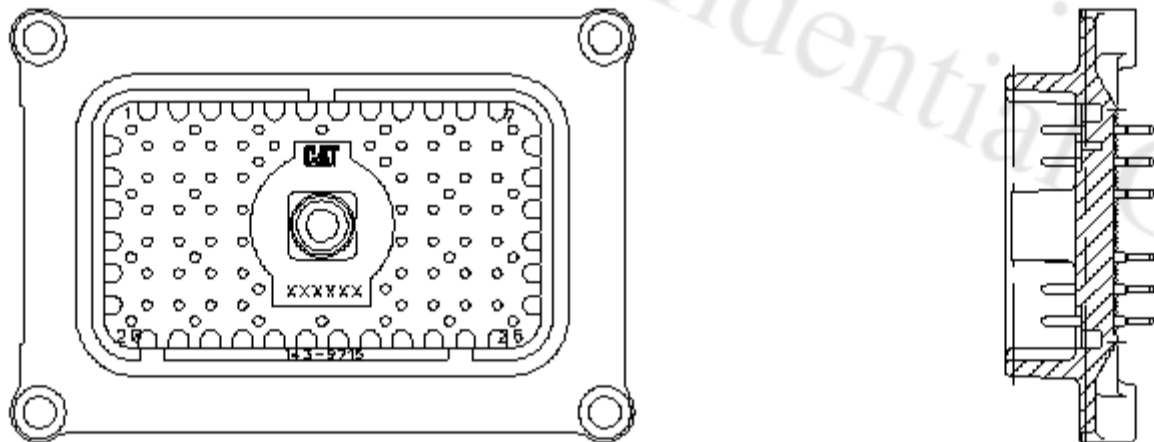


Illustration 120
143-9715 Receptacle As

g00915998

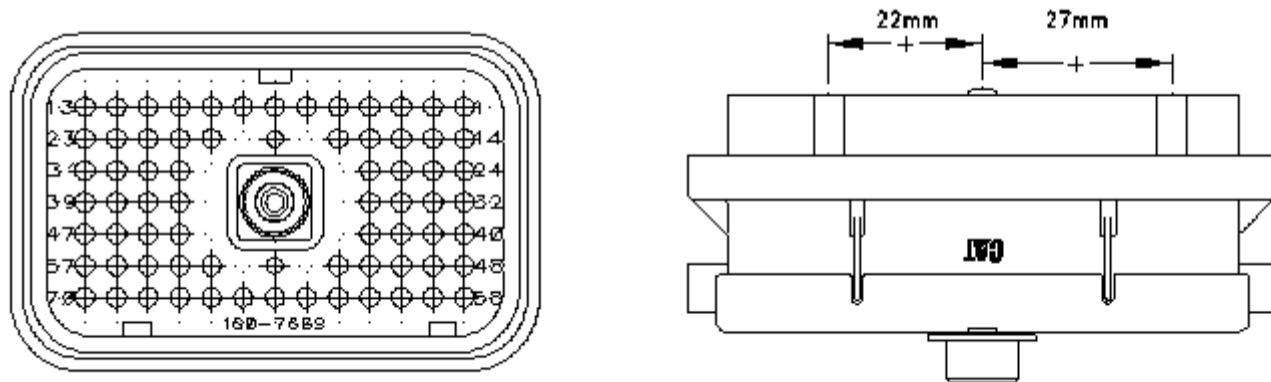


Illustration 121
160-7689 Connector Plug As

g00916454

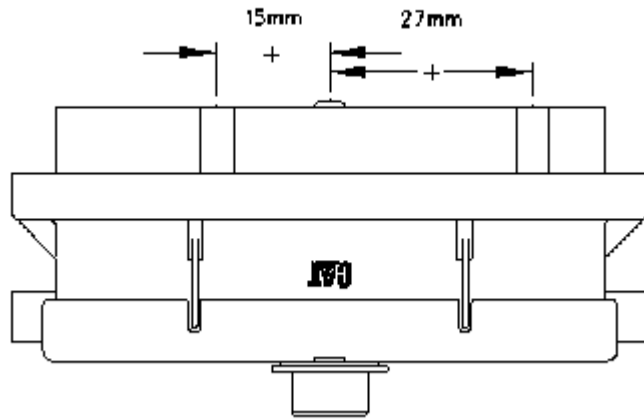
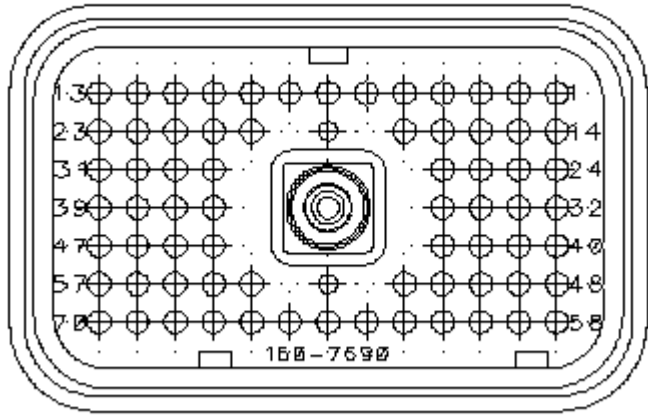


Illustration 122
160-7690 Connector Plug As

g00916019

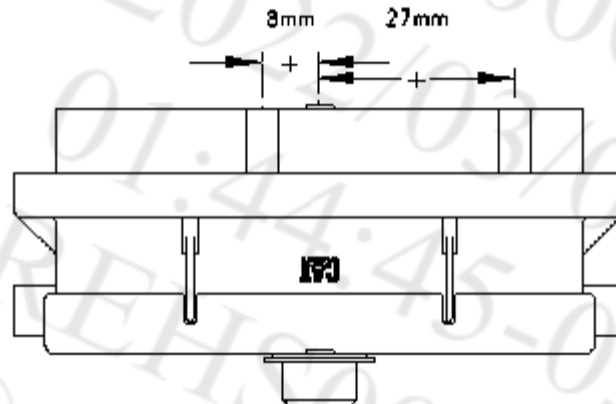
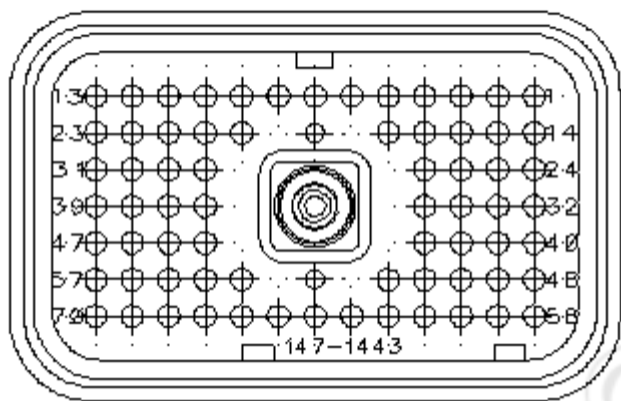


Illustration 123
147-1443 Connector Plug As

g00916031

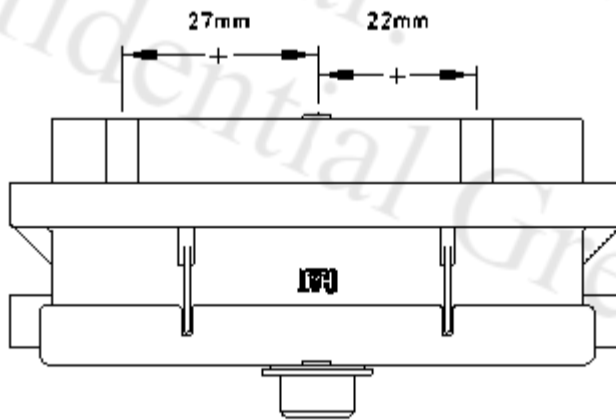
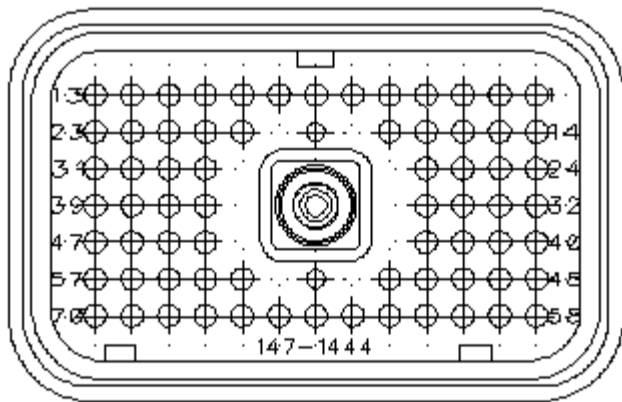


Illustration 124
147-1444 Connector Plug As

g00916047

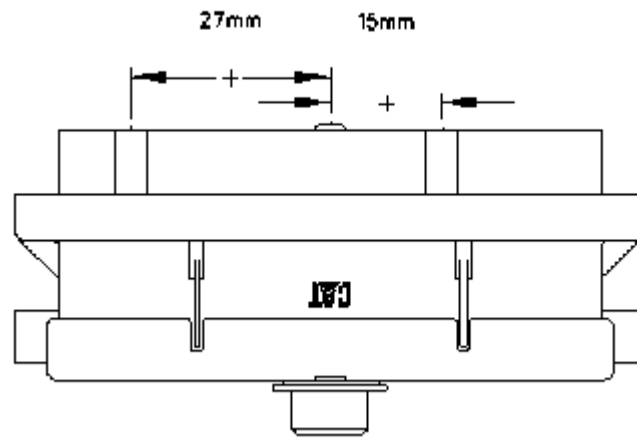
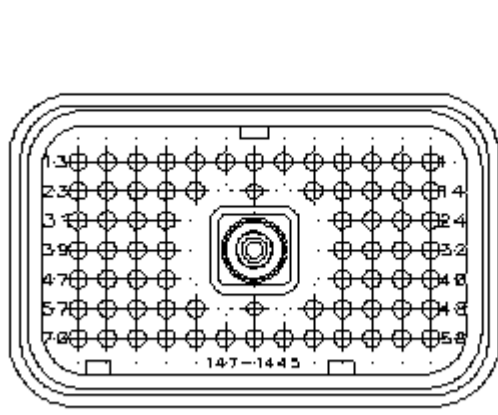


Illustration 125
147-1445 Connector Plug As

g00916054

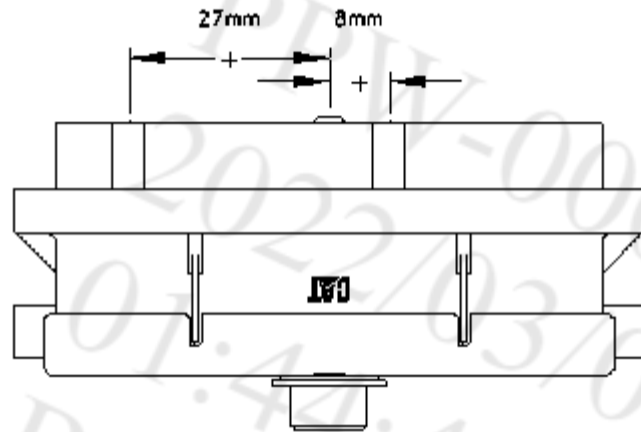
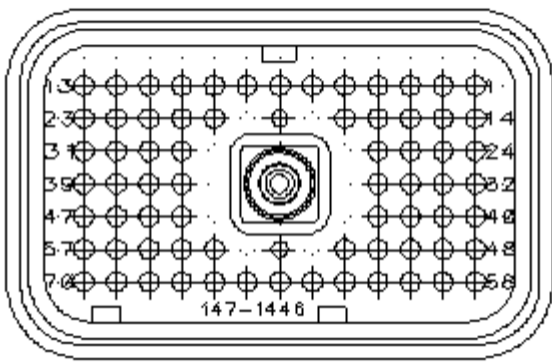


Illustration 126
147-1446 Connector Plug As

g00916065

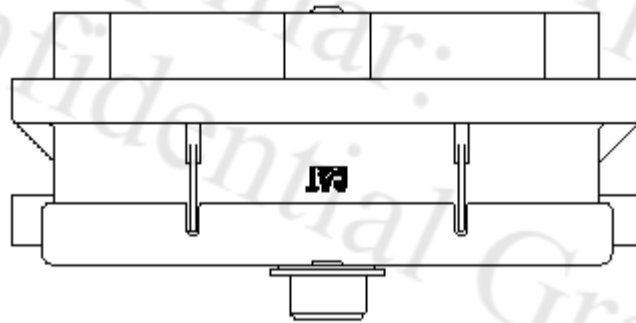
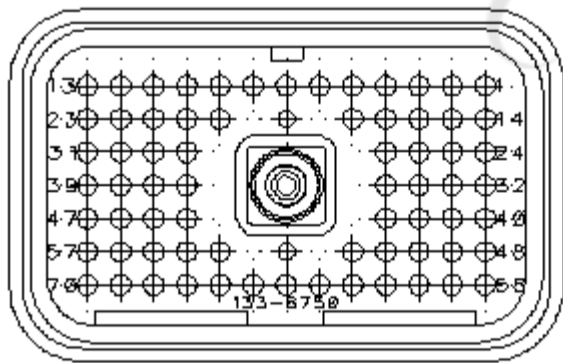


Illustration 127
133-8750 Connector Plug As

g00916072

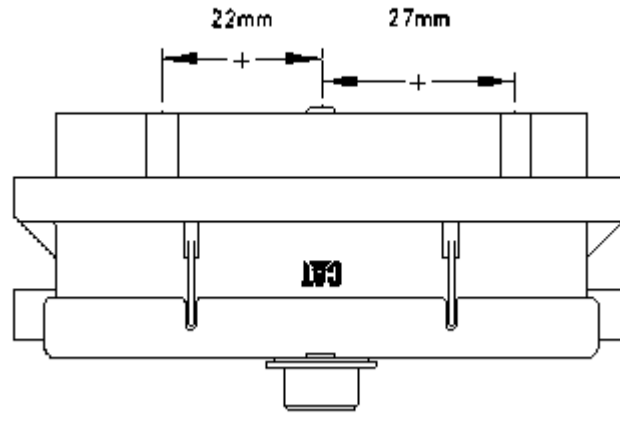
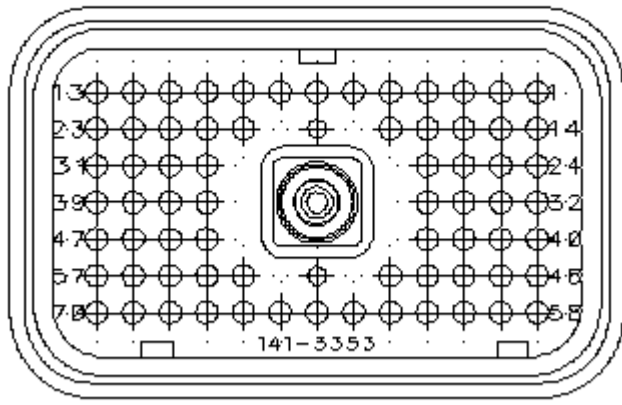


Illustration 128
141-3353 Connector Plug As

g00916076

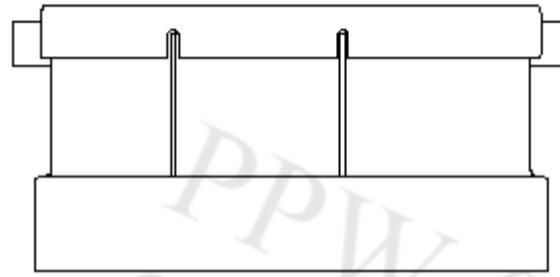
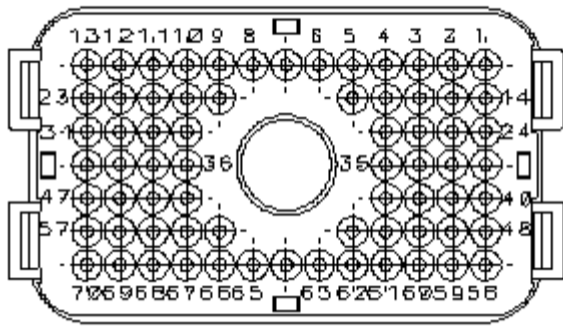


Illustration 129
133-8753 Connector Receptacle As

g00916085

TYCO Electronics/AMP Inc. Connector Accessories

TYCO Electronics/AMP Inc. Connector Accessories			
Caterpillar Part Number	Caterpillar Part Name	Description	
8T-8737	Seal Plug	14 / 16 / 18 Seal Plug	
159-9322	O-Ring Seal	O-Ring Seal - Blue	
151-6320	Wire Removal Tool	16 AWG Wire Removal Tool	
1U-5804	Crimp Tool (12-GA TO 18-GA)	Hand Crimp Tool (Machined Contacts Only)	
126-1774	Connector Cover	70-Pin Endbell Cover	
126-1773	Connector Cap	70-Pin Receptacle Connector Cap (Sealed)	
257-4907	Access Cover As	70-pin Receptacle Sealed Cover	
237-0336	Cover	70-pin Short Endbell Cover	
185-3599	Cover	70-pin Special Engine Endbell Cover	
234-5925	Gasket	70-pin Flange Gasket	

Table 33

Tyco Electronics/AMP Inc. Connectors (ADEM III/ADEM IV)

Tyco Electronics/AMP Inc. Connectors (ADEM III/ADEM IV)					
Caterpillar Part Number	Caterpillar Part Number	Service Replacement Part Number	Insulation Size (mm ²)	Wire Size (AWG)	Description
224-2734	Connector Receptacle As	126-1767	2.26 - 3.94	20 - 14	70 Pin Receptacle, Flange Mount, Key 1
224-2735	Connector Receptacle As	126-1767	2.26 - 3.94	20 - 14	70 Pin Receptacle, Flange Mount, Key 2
283-9493	Connector Receptacle As	126-1767	2.26 - 3.94	20 - 14	70 Pin Receptacle, Flange Mount, Key 3
283-9494	Connector Receptacle As	126-1767	2.26 - 3.94	20 - 14	70 Pin Receptacle, Flange Mount, Key 4

214-4208	Connector Receptacle As	126-1767	2.26 - 3.94	20 - 14	70 Pin Receptacle, Flange Mount, Universal
264-5732	Connector Plug As	126-1767	2.26 - 3.94	20 - 14	120 Pin Plug

Table 34

Tyco Electronics/AMP Inc. Connectors (ADEM III / ADEM IV) Model Views

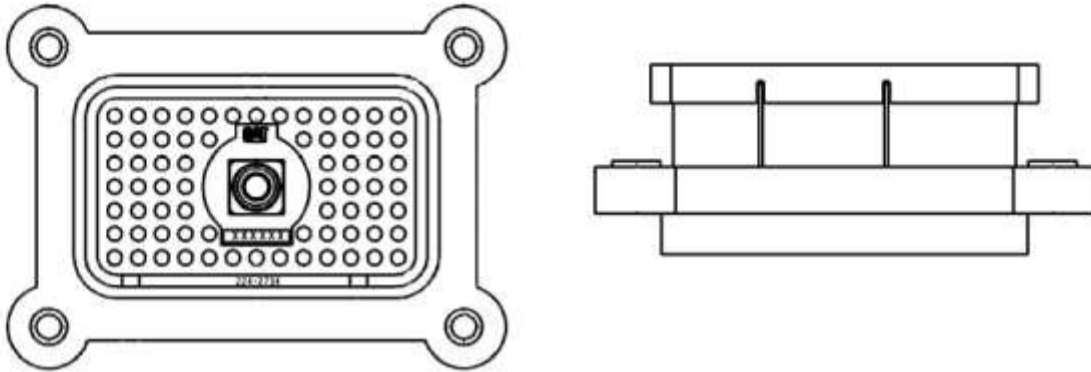


Illustration 130
224-2734 Connector Receptacle As

g01278724

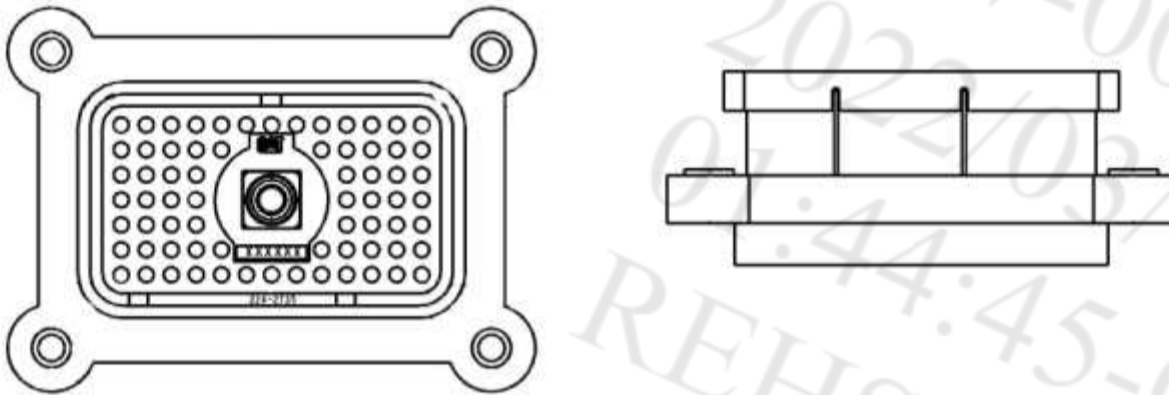


Illustration 131
224-2735 Connector Receptacle As

g01278730

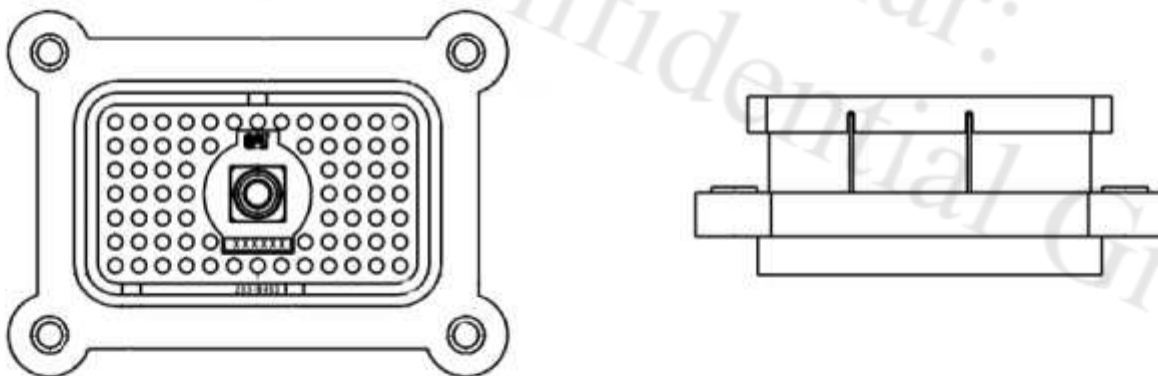


Illustration 132
283-9493 Connector Receptacle As

g01278732

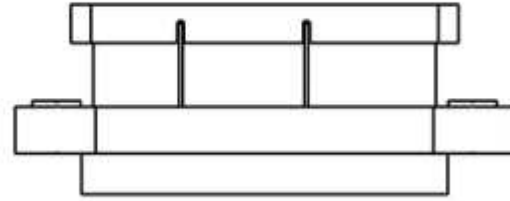
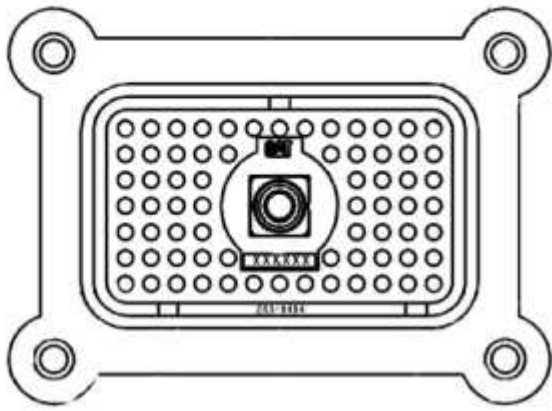


Illustration 133
283-9494 Connector Receptacle As

g01278735

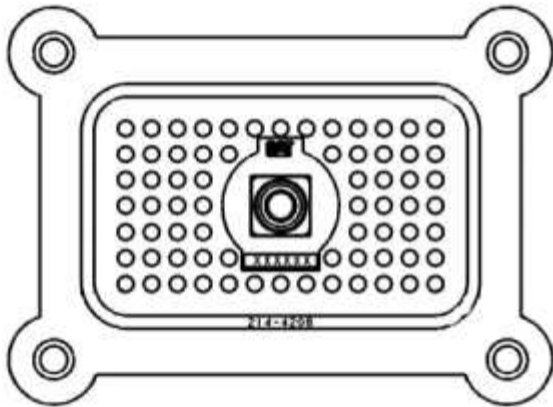


Illustration 134
214-4208 Connector Receptacle As

g01278736

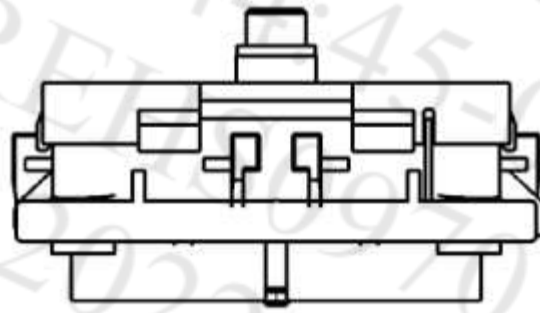
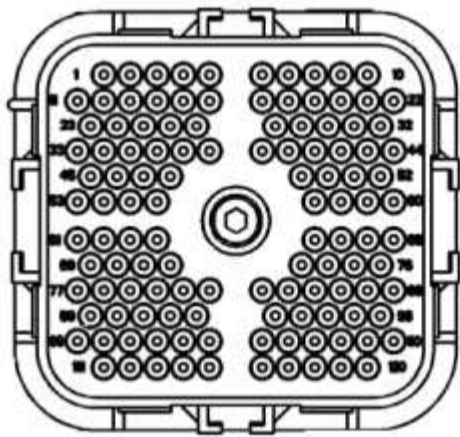


Illustration 135
264-5732 Connector Plug As

g01278737

Tyco Electronic/AMP Inc. Connectors (Ampseal 16) Reduced Wire Seals

Tyco Electronic/AMP Inc. Connectors (Ampseal 16) Reduced Wire Seals					
Caterpillar Part Number	Caterpillar Part Number	Service Replacement Part Number	Insulation Size (mm ²)	Wire Size (AWG)	Description
240-7874	Connector Plug As	455-0704	20 - 14	1.3 - 2.54	2-position connector plug (key 1)
240-7876	Connector Plug As	455-0704	20 - 14	1.3 - 2.54	2-position connector plug (key 2)
240-7877	Connector Plug As	455-0704	20 - 14	1.3 - 2.54	2-position connector plug (key 3)

281-3115	Connector Plug As (2-PIN)	455-0704	20 - 14	1.3 - 2.54	2-position connector plug (key 4)
264-7029	Connector Seal	455-0704	N/A	N/A	2-position connector seal
273-3288	Connector Receptacle As	240-7874	20 - 14	1.3 - 2.54	2-position connector receptacle (key 1)
281-3116	Connector Receptacle As (2-PIN)	240-7876	20 - 14	1.3 - 2.54	2-position connector receptacle (key 2)
281-3117	Connector Receptacle As (2-PIN)	240-7877	20 - 14	1.3 - 2.54	2-position connector receptacle (key 3)
281-3118	Connector Receptacle As (2-PIN)	281-3115	20 - 14	1.3 - 2.54	2-position connector receptacle (key 4)
240-7878	Connector Plug As	455-0705	20 - 14	1.3 - 2.54	3-position connector plug (key 1)
240-7879	Connector Plug As	455-0705	20 - 14	1.3 - 2.54	3-position connector plug (key 2)
281-3119	Connector Plug As (3-PIN)	455-0705	20 - 14	1.3 - 2.54	3-position connector plug (key 3)
281-3120	Connector Plug As (3-PIN)	455-0705	20 - 14	1.3 - 2.54	3-position connector plug (key 4)
281-3121	Connector Receptacle As	240-7878	20 - 14	1.3 - 2.54	3-position connector receptacle (key 1)
281-3122	Connector Receptacle As	240-7879	20 - 14	1.3 - 2.54	3-position connector receptacle (key 2)
281-3123	Connector Receptacle As (3-PIN)	281-3119	20 - 14	1.3 - 2.54	3-position connector receptacle (key 3)
281-3124	Connector Receptacle As (3-PIN)	281-3120	20 - 14	1.3 - 2.54	3-position connector receptacle (key 4)
261-0524	Connector Plug As	455-0706	20 - 14	1.3 - 2.54	4-position connector plug (key 1)
281-3125	Connector Plug As	455-0706	20 - 14	1.3 - 2.54	4-position connector plug (key 2)
281-3126	Connector Plug As (4-PIN)	455-0706	20 - 14	1.3 - 2.54	4-position connector plug (key 3)
281-3127	Connector Plug As (4-PIN)	455-0706	20 - 14	1.3 - 2.54	4-position connector plug (key 4)
264-7031	Connector Seal	455-0706	N/A	N/A	4-position connector seal
261-0525	Connector Receptacle As (4-PIN)	261-0524	20 - 14	1.3 - 2.54	4-position connector receptacle (key 1)
281-3128	Connector Receptacle As (4-PIN)	281-3125	20 - 14	1.3 - 2.54	4-position connector receptacle (key 2)
281-3129	Connector Receptacle As (4-PIN)	281-3126	20 - 14	1.3 - 2.54	4-position connector receptacle (key 3)
281-3130	Connector Receptacle As (4-PIN)	281-3127	20 - 14	1.3 - 2.54	4-position connector receptacle (key 4)
281-3132	Connector Plug As	455-0707	20 - 14	1.3 - 2.54	6-position connector plug (key 1)
281-3133	Connector Plug As (6-PIN)	455-0707	20 - 14	1.3 - 2.54	6-position connector plug (key 2)
281-3134	Connector Plug As (6-PIN)	455-0707	20 - 14	1.3 - 2.54	6-position connector plug (key 3)
264-7032	Connector Seal	455-0707	20 - 14	1.3 - 2.54	6-position connector seal
281-3136	Connector Receptacle As	281-3132	20 - 14	1.3 - 2.54	6-position connector receptacle (key 1)
281-3137	Connector Receptacle As	281-3133	20 - 14	1.3 - 2.54	6-position connector receptacle (key 2)
281-3139	Connector Receptacle As (6-PIN)	281-3134	20 - 14	1.3 - 2.54	6-position connector receptacle (key 3)
281-3388	Connector Plug As (6-PIN)	455-0708	20 - 14	1.3 - 2.54	8-position connector plug (key 1)
281-3389	Connector Plug As (8-PIN)	455-0708	20 - 14	1.3 - 2.54	8-position connector plug (key 2)
281-3390	Connector Plug As (8-PIN)	455-0708	20 - 14	1.3 - 2.54	8-position connector plug (key 3)

281-3391	Connector Plug As (8-PIN)	455-0708	20 - 14	1.3 - 2.54	8-position connector plug (key 4)
264-7033	Connector Seal	455-0708	N/A	N/A	8-position connector seal
260-6727	Connector Receptacle As	231-3388	20 - 14	1.3 - 2.54	8-position connector receptacle (key 1)
281-3392	Connector Receptacle As (8-PIN)	231-3389	20 - 14	1.3 - 2.54	8-position connector receptacle (key 2)
281-3393	Connector Receptacle As (8-PIN)	231-3390	20 - 14	1.3 - 2.54	8-position connector receptacle (key 3)
281-3394	Connector Receptacle As (8-PIN)	231-3391	20 - 14	1.3 - 2.54	8-position connector receptacle (key 4)
281-3395	Connector Plug As (12-PIN)	455-0709	20 - 14	1.3 - 2.54	12 position connector plug (key 1)
281-3396	Connector Plug As (12-PIN)	455-0709	20 - 14	1.3 - 2.54	12 position connector plug (key 2)
281-3397	Connector Plug As (12-PIN)	455-0709	20 - 14	1.3 - 2.54	12 position connector plug (key 3)
281-3398	Connector Plug As (12-PIN)	455-0709	20 - 14	1.3 - 2.54	12 position connector plug (key 4)
264-7034	Connector Seal	455-0709	N/A	N/A	12 position connector seal
260-6728	Connector Receptacle As	281-3395	20 - 14	1.3 - 2.54	12 position connector receptacle (key 1)
281-4033	Connector Receptacle As (12-PIN)	281-3396	20 - 14	1.3 - 2.54	12 position connector receptacle (key 2)
281-4034	Connector Receptacle As (12-PIN)	281-3397	20 - 14	1.3 - 2.54	12 position connector receptacle (key 3)
281-4035	Connector Receptacle As (12-PIN)	281-3398	20 - 14	1.3 - 2.54	12 position connector receptacle (key 4)

Table 35

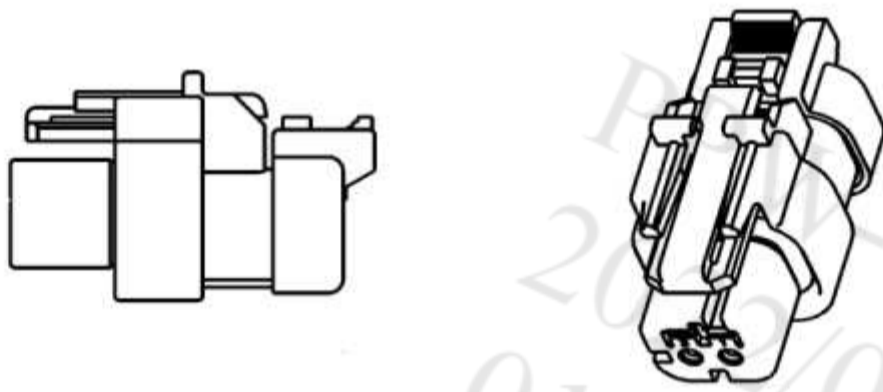


Illustration 136
Connector plug assembly

g01278857

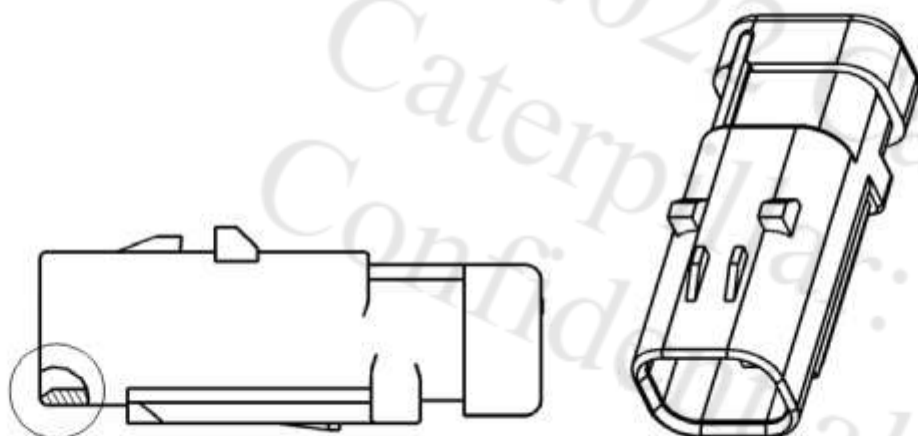


Illustration 137

g01278859

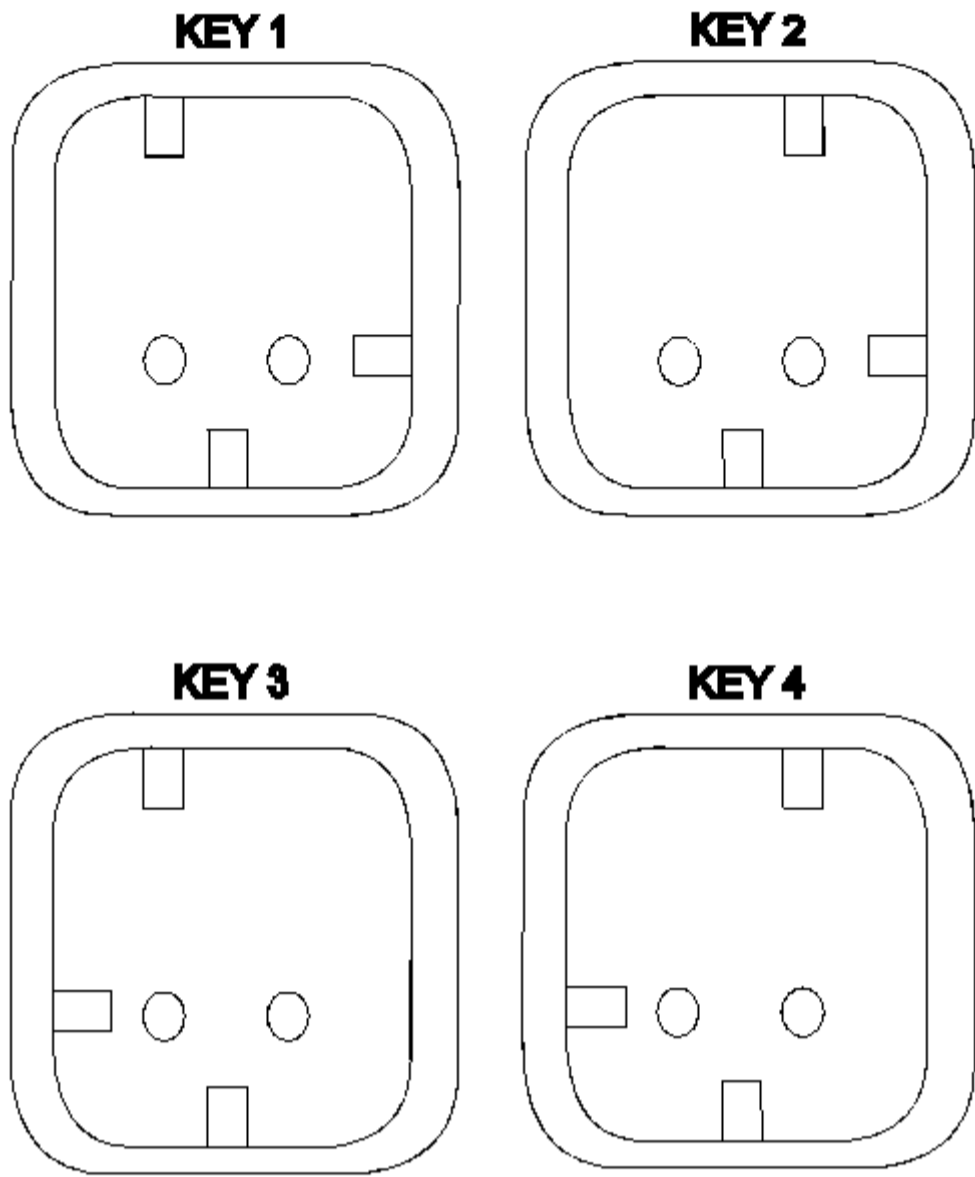


Illustration 138
Connector key positions

g03855745

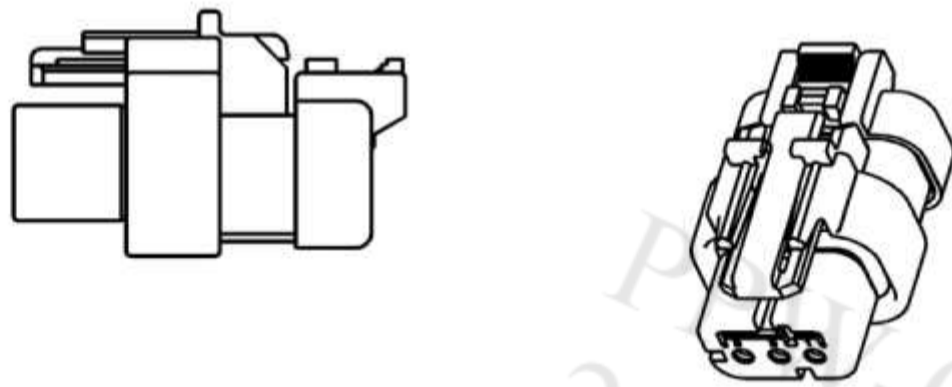
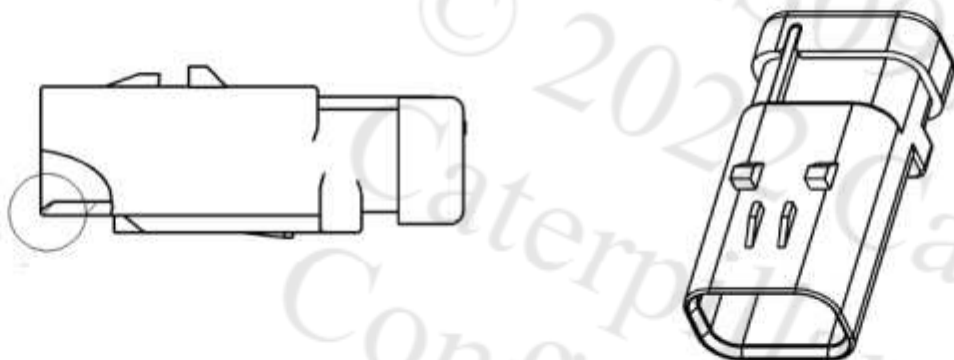


Illustration 139
Connector plug assembly

g01278861



2022/03/01 01:44:45-05:00
REHS00070
© 2022 Caterpillar Inc.
Confidential

Illustration 140
Connector receptacle assembly

g01278862

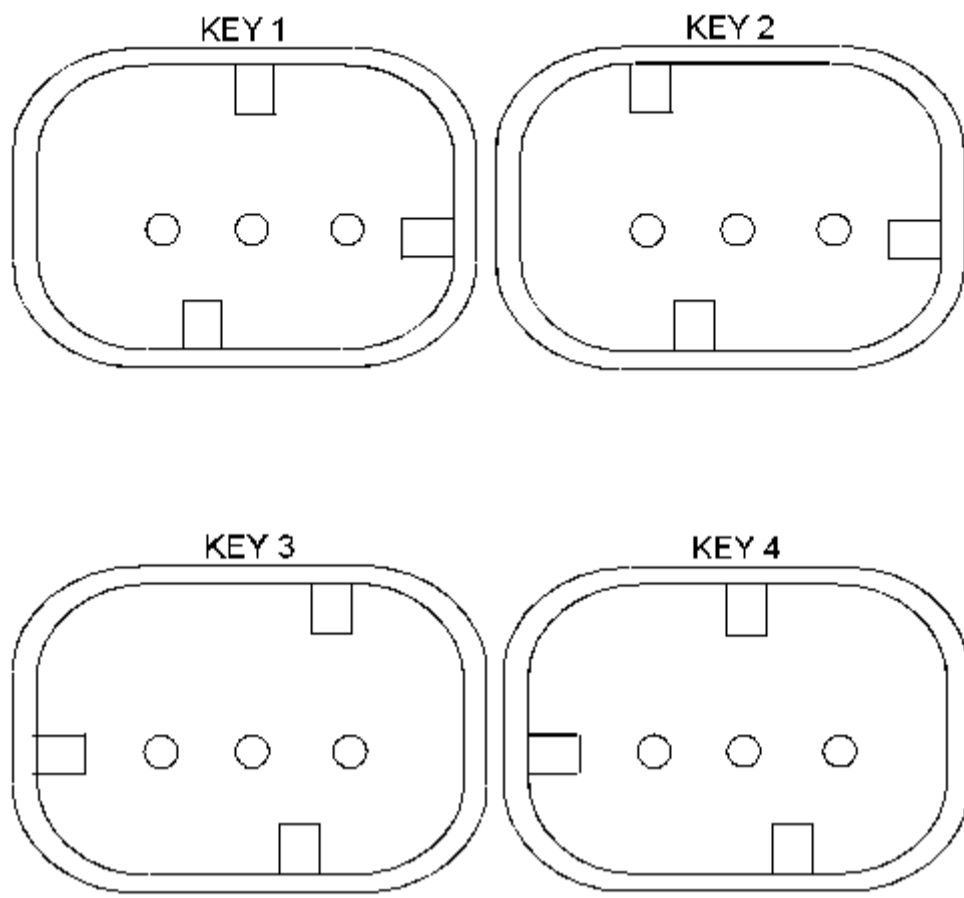


Illustration 141
Connector key positions

g03855762

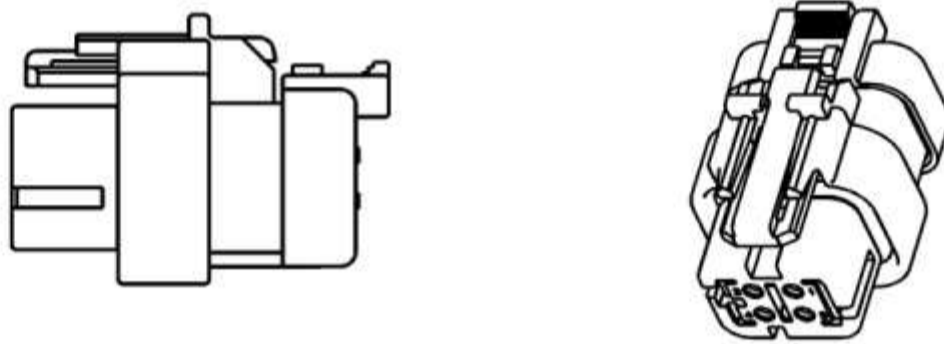


Illustration 142
Connector plug assembly

g01278865

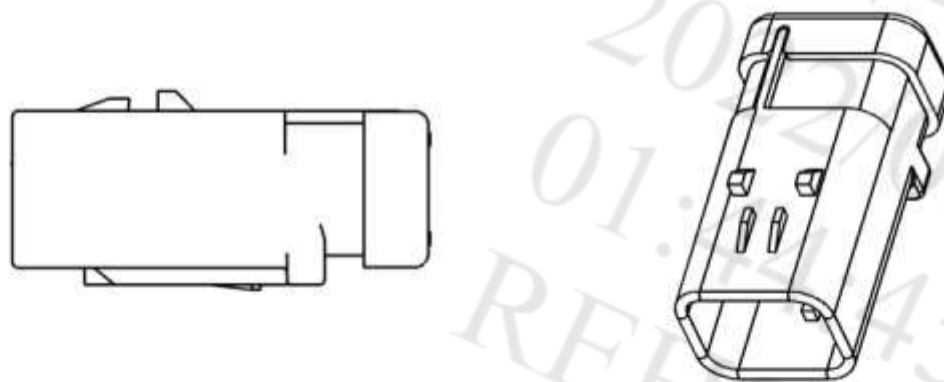


Illustration 143
Connector receptacle assembly

g01278878

PPW-00000833F
2022-03/01
01:45-05:00
REHS0970
© 2022 Caterpillar
Caterpillar
Conf

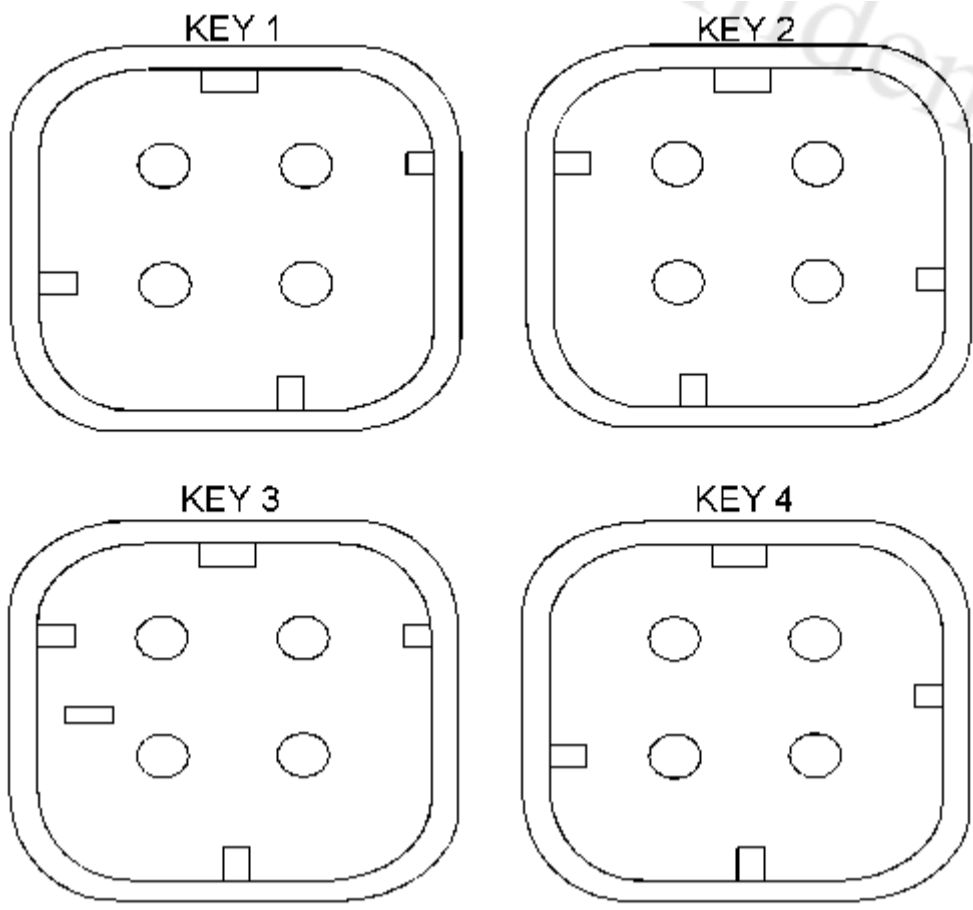


Illustration 144
Connector key positions

g03855770



Illustration 145
Connector plug assembly

g01278881

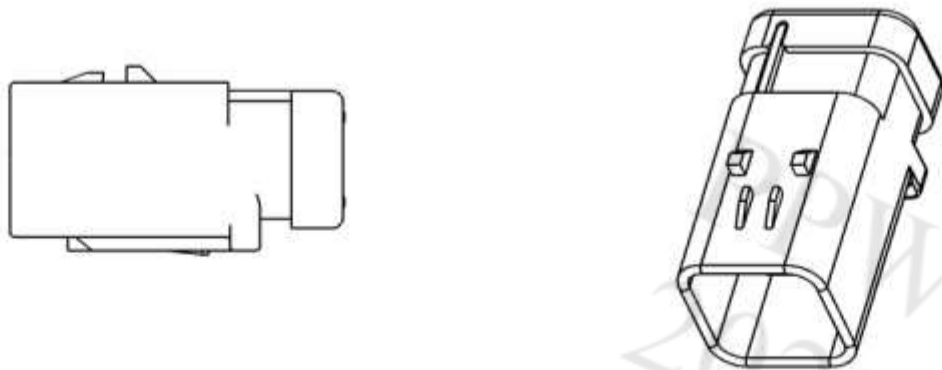


Illustration 146
Connector receptacle assembly

g01278882

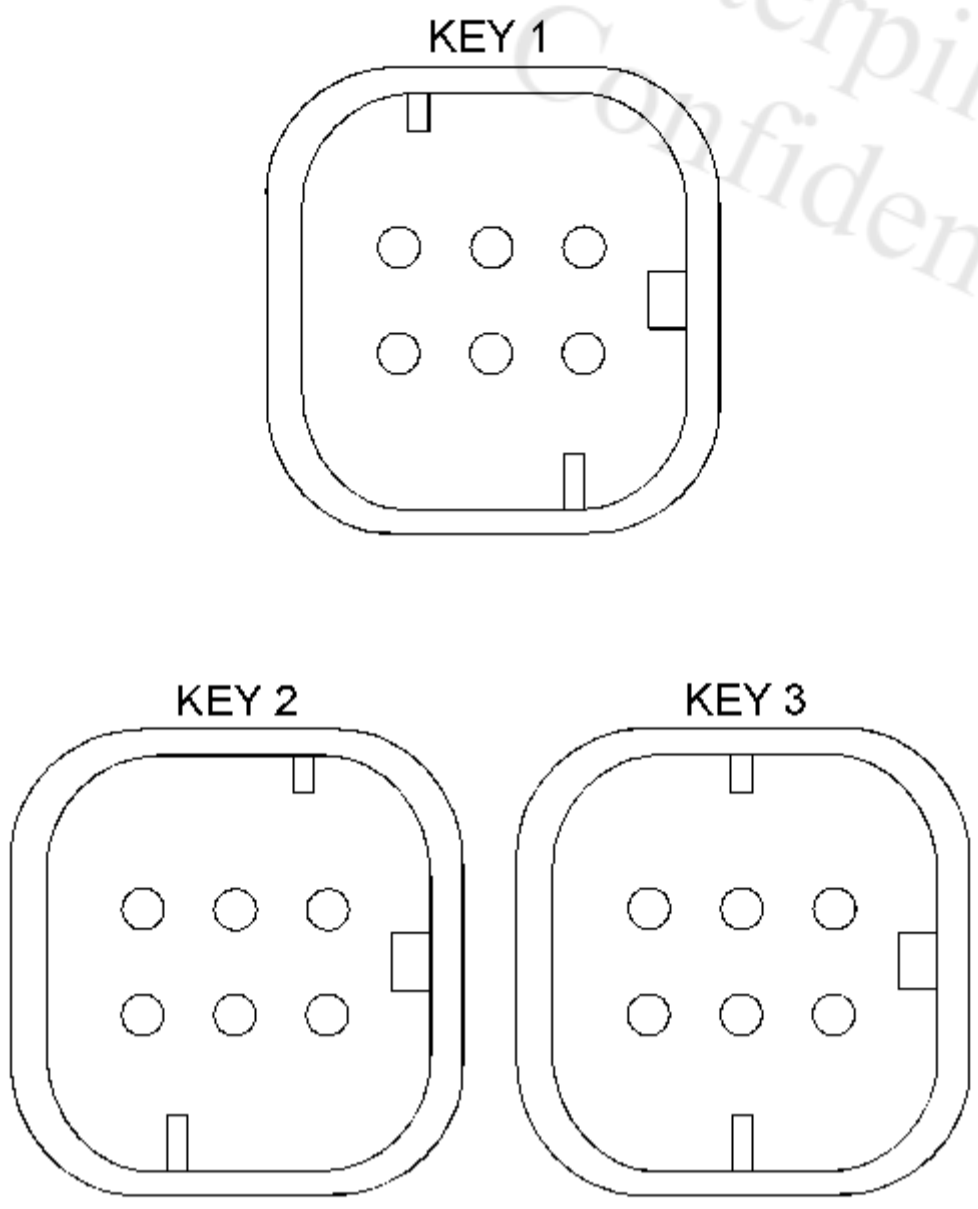


Illustration 147
Connector key positions

g03855809



Illustration 148
Connector plug assembly

g01278884

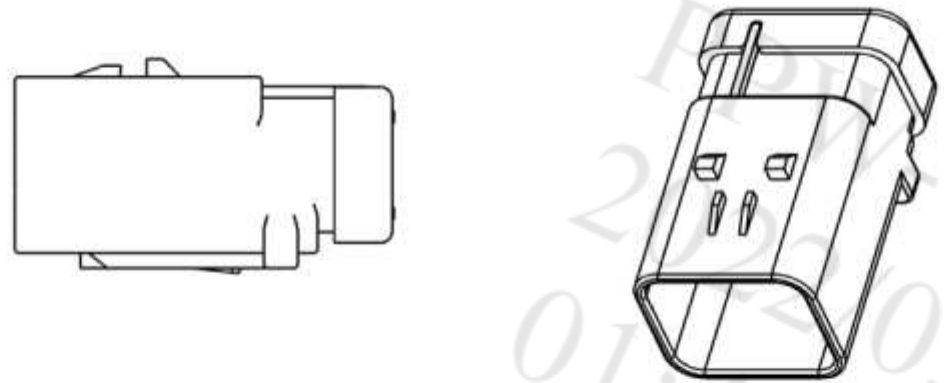


Illustration 149
Connector receptacle assembly

g01278886

Confidential
Copyright © 2003/01
01:44:45-05:00
REHS0970
© 2003/01
0000833F

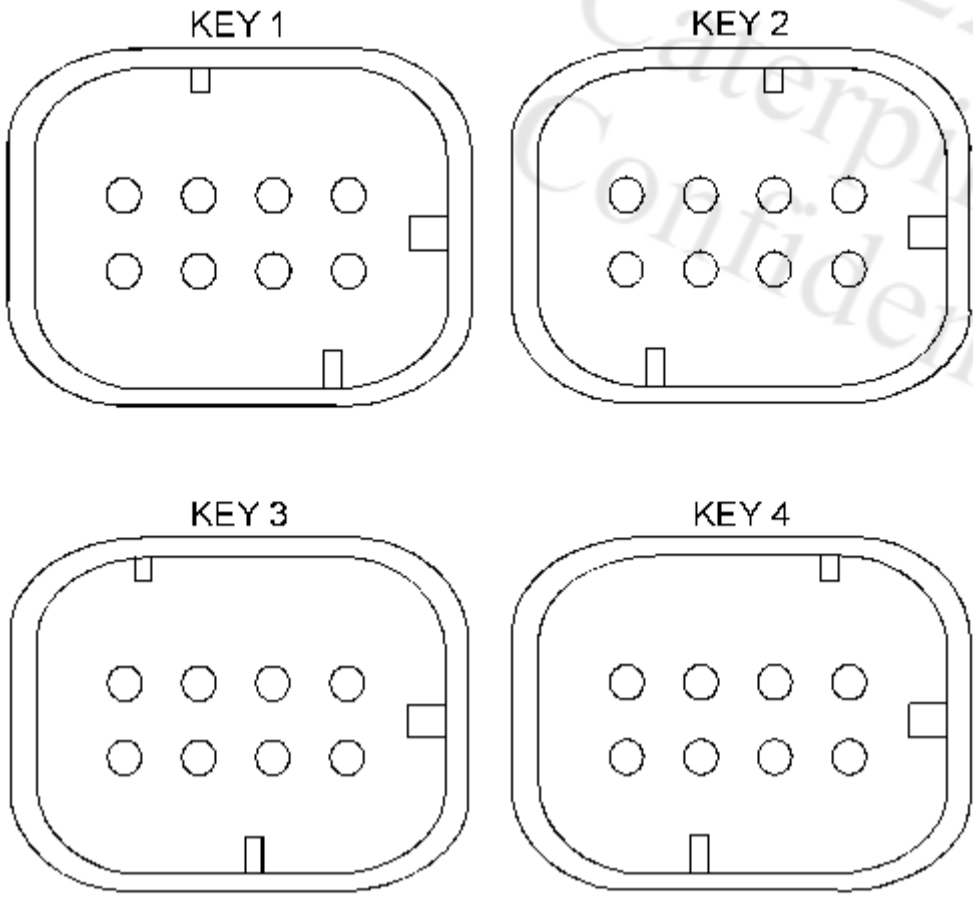


Illustration 150
Connector key positions

g03855821

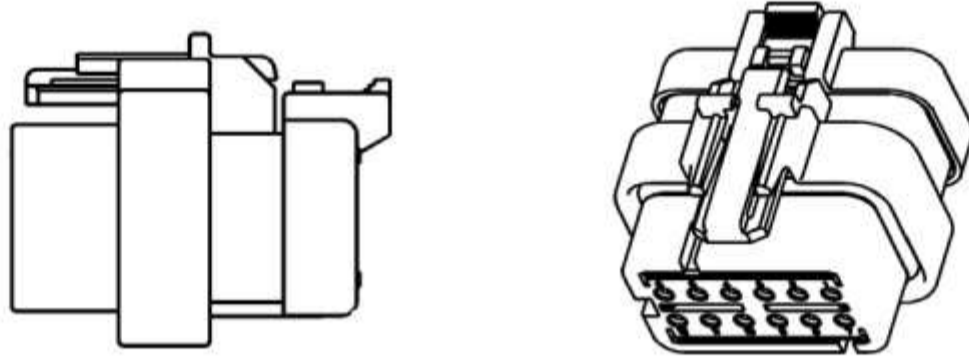


Illustration 151
Connector plug assembly

g01278887

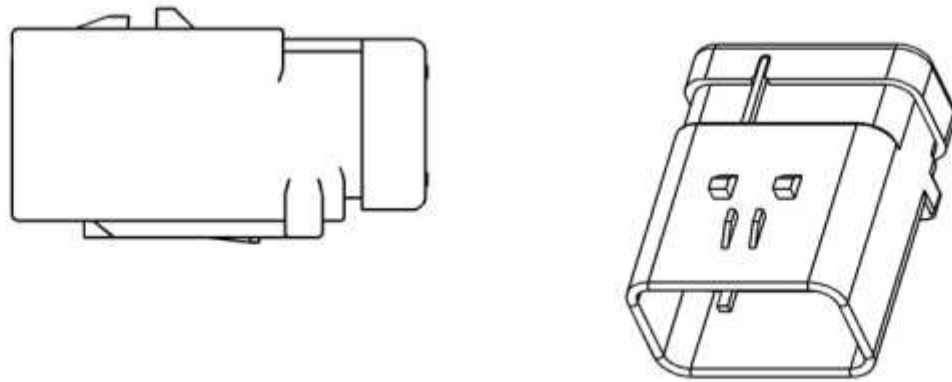


Illustration 152
Connector receptacle assembly

g01278892

PPW-0000833F
2022/03/01
01:44:45
REF

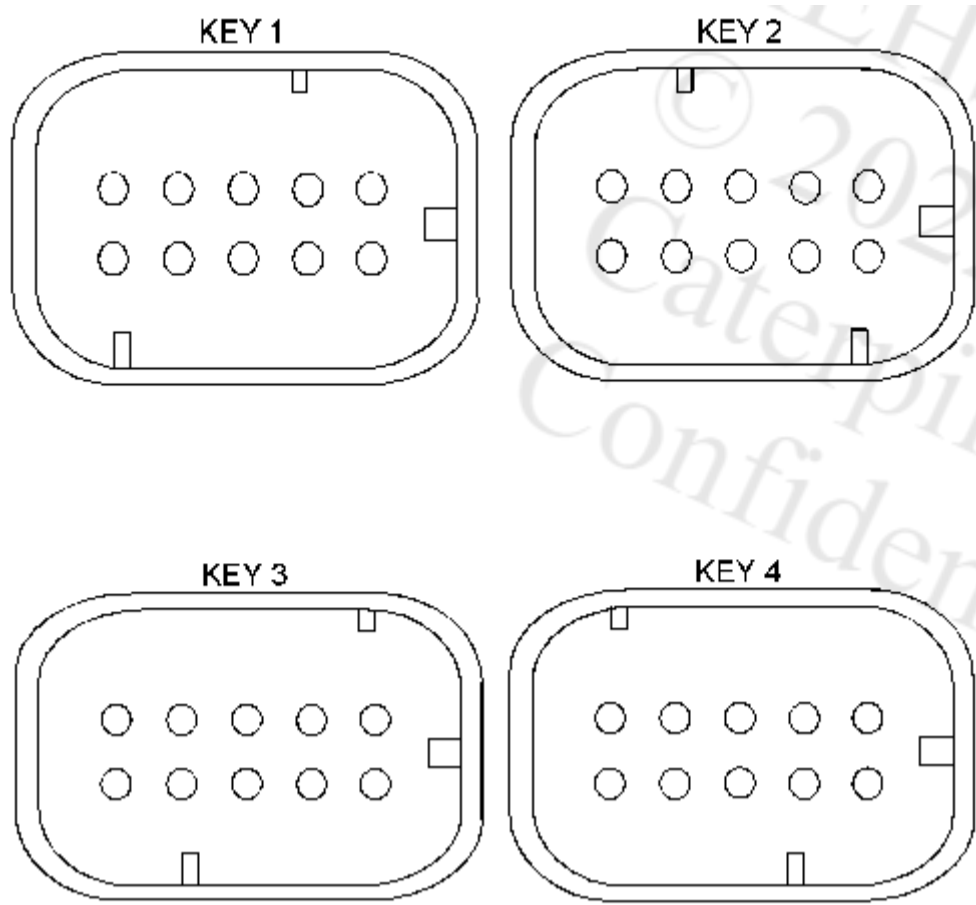


Illustration 153
Connector key positions

g03855822

Tyco Electronic/Amp Inc. Connectors (Ampseal 16) - Standard Wire Seals

Tyco Electronic/Amp Inc. Connectors (Ampseal 16) - Standard Wire Seals					
Caterpillar Part Number	Caterpillar Part Name	Service Replacement Part Number	Insulation Size (mm ²)	Wire Size (AWG)	Description
230-4011	Connector Plug As (2-PIN)	455-0704	2.18 - 3.67	20 - 14	2-position connector plug (key 1)
238-8245	Connector Plug As (2-PIN)	455-0704	2.18 - 3.67	20 - 14	2-position connector plug (key 2)
238-8247	Connector Plug As (2-PIN)	455-0704	2.18 - 3.67	20 - 14	2-position connector plug (key 3)
281-8801	Connector Plug As (2-PIN)	455-0704	2.18 - 3.67	20 - 14	2-position connector plug (key 4)
230-4012	Connector Receptacle As	230-4011	2.18 - 3.67	20 - 14	2-position connector receptacle (key 1)
238-8246	Receptacle As	238-8245	2.18 - 3.67	20 - 14	2-position connector receptacle (key 2)
238-8248	Connector Receptacle As	238-8247	2.18 - 3.67	20 - 14	2-position connector receptacle (key 3)
281-8802	Connector Receptacle As (2-PIN)	231-8801	2.18 - 3.67	20 - 14	2-position connector receptacle (key 4)
264-7029	Connector Seal	455-0704	N/A	N/A	2-position connector service seal
230-4013	Connector Plug As (3-PIN)	455-0705	2.18 - 3.67	20 - 14	3-position connector plug (key 1)
237-0227	Connector Plug As (3-PIN)	455-0705	2.18 - 3.67	20 - 14	3-position connector plug (key 2)
281-8803	Connector Plug As	455-0705	2.18 - 3.67	20 - 14	3-position connector plug (key 3)
281-8804	Connector Plug As (3-PIN)	455-0705	2.18 - 3.67	20 - 14	3-position connector plug (key 4)
264-7030	Connector Seal	455-0705	N/A	N/A	3-position connector seal
230-4014	Connector Receptacle As	230-4013	2.18 - 3.67	20 - 14	3-position connector receptacle (key 1)
237-0228	Connector Receptacle As	237-0227	2.18 - 3.67	20 - 14	3-position connector receptacle (key 2)
281-8805	Connector Receptacle As	281-8803	2.18 - 3.67	20 - 14	3-position connector receptacle (key 3)

281-8806	Connector Receptacle As (3-PIN)	281-8804	2.18 - 3.67	20 - 14	3-position connector receptacle (key 4)
230-5008	Connector Plug As (4-PIN)	455-0706	2.18 - 3.67	20 - 14	4-position connector plug (key 1)
239-7349	Connector Plug As	455-0706	2.18 - 3.67	20 - 14	4-position connector plug (key 2)
281-8807	Connector Plug As (4-PIN)	455-0706	2.18 - 3.67	20 - 14	4-position connector plug (key 3)
281-8808	Connector Plug As (4-PIN)	455-0706	2.18 - 3.67	20 - 14	4-position connector plug (key 4)
264-7031	Connector Seal	455-0706	N/A	N/A	4-position connector seal
230-5009	Connector Receptacle As	230-5008	2.18 - 3.67	20 - 14	4-position connector receptacle (key 1)
239-7350	Connector Receptacle As (4-PIN)	239-7349	2.18 - 3.67	20 - 14	4-position connector receptacle (key 2)
281-8809	Connector Receptacle As (4-PIN)	281-8807	2.18 - 3.67	20 - 14	4-position connector receptacle (key 3)
281-8810	Connector Receptacle As (4-PIN)	281-8808	2.18 - 3.67	20 - 14	4-position connector receptacle (key 4)
230-5010	Connector Plug As (6-PIN)	455-0707	2.18 - 3.67	20 - 14	6-position connector plug (key 1)
239-7352	Connector Plug As (6-PIN)	455-0707	2.18 - 3.67	20 - 14	6-position connector plug (key 2)
281-8811	Connector Plug As	455-0707	2.18 - 3.67	20 - 14	6-position connector plug (key 3)
264-7032	Connector Seal	455-0707	N/A	N/A	6-position connector seal
230-5011	Connector Receptacle As	230-5010	2.18 - 3.67	20 - 14	6-position connector receptacle (key 1)
239-7353	Connector Receptacle As	239-7352	2.18 - 3.67	20 - 14	6-position connector receptacle (key 2)
281-8812	Connector Receptacle As	281-8811	2.18 - 3.67	20 - 14	6-position connector receptacle (key 3)
231-2295	Connector Plug As	455-0708	2.18 - 3.67	20 - 14	8-position connector plug (key 1)
231-2296	Connector Plug As	455-0708	2.18 - 3.67	20 - 14	8-position connector plug (key 2)
231-2297	Connector Receptacle As	455-0708	2.18 - 3.67	20 - 14	8-position connector plug (key 3)
231-2298	Plug As	455-0708	2.18 - 3.67	20 - 14	8-position connector plug (key 4)
264-7033	Connector Seal	455-0708	N/A	N/A	8-position connector seal
231-2300	Connector Receptacle As	231-2295	2.18 - 3.67	20 - 14	8-position connector receptacle (key 1)
231-2301	Connector Receptacle As	231-2296	2.18 - 3.67	20 - 14	8-position connector receptacle (key 2)
231-2302	Connector Receptacle As (8-PIN)	231-2297	2.18 - 3.67	20 - 14	8-position connector receptacle (key 3)
231-2303	Connector Receptacle As (8-PIN)	231-2298	2.18 - 3.67	20 - 14	8-position connector receptacle (key 4)
230-4009	Connector Plug As (12-PIN)	455-0709	2.18 - 3.67	20 - 14	12-position connector plug (key 1)
239-7356	Connector Plug As (12-PIN)	455-0709	2.18 - 3.67	20 - 14	12-position connector plug (key 2)
241-8834	Connector Plug As	455-0709	2.18 - 3.67	20 - 14	12-position connector plug (key 3)
281-8813	Connector Plug As (12-PIN)	455-0709	2.18 - 3.67	20 - 14	12-position connector plug (key 4)
264-7034	Connector Seal	455-0709	N/A	N/A	12-position connector seal
230-4010	Connector Receptacle As	230-4009	2.18 - 3.67	20 - 14	12-position connector receptacle (key 1)
239-7357	Connector Receptacle As	239-7356	2.18 - 3.67	20 - 14	12-position connector receptacle (key 2)

241-8835	Connector Receptacle As	241-8834	2.18 - 3.67	20 - 14	12-position connector receptacle (key 3)
281-8814	Connector Receptacle As (12-PIN)	281-8813	2.18 - 3.67	20 - 14	12-position connector receptacle (key 4)

Table 36

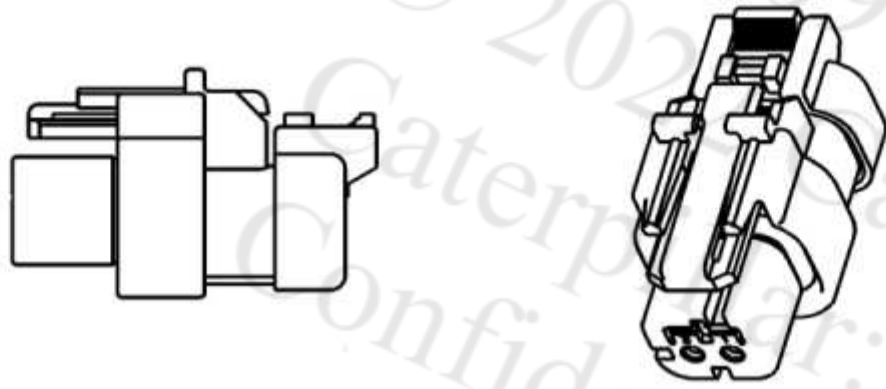


Illustration 154
Connector plug assembly

g01279094

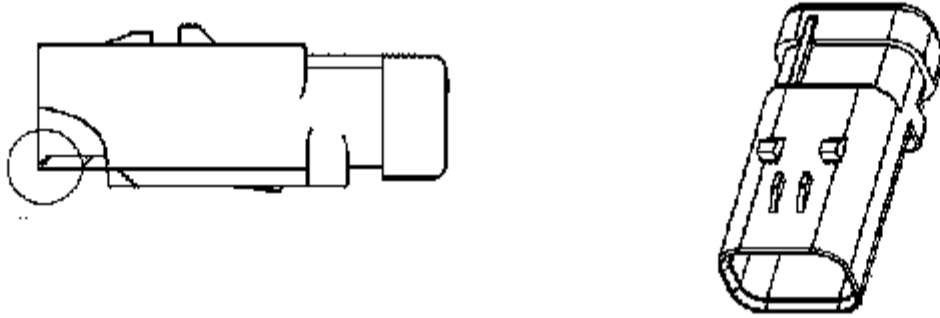


Illustration 155
Connector plug assembly

g03885385

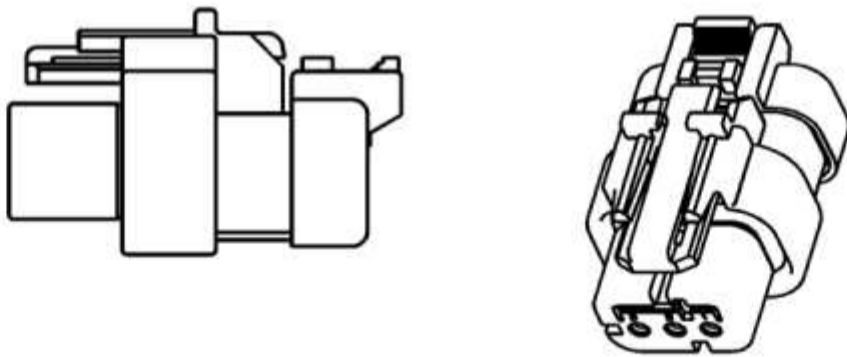


Illustration 156
Connector plug assembly

g01279098

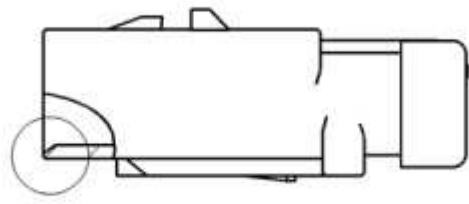


Illustration 157
Connector receptacle assembly

g01279102

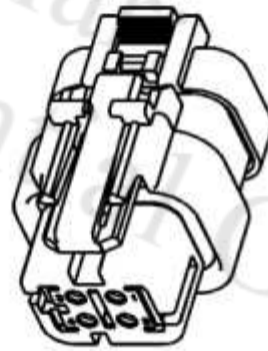
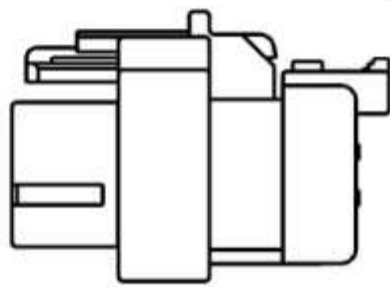


Illustration 158
Connector plug assembly

g01279107

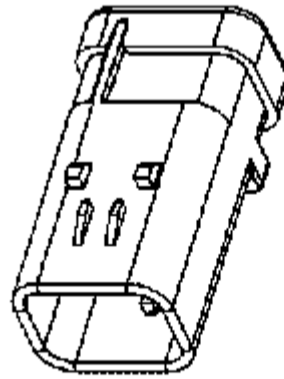
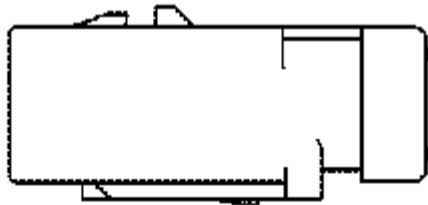


Illustration 159
Connector receptacle assembly

g01279110

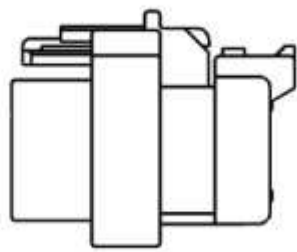


Illustration 160
Connector plug assembly

g01279111

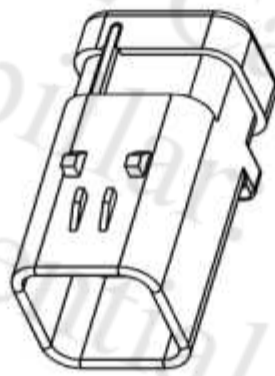
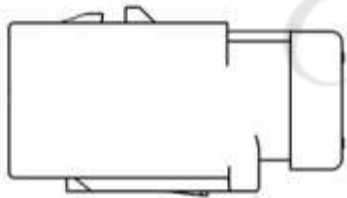


Illustration 161
Connector receptacle assembly

g01279126

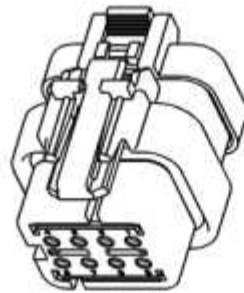
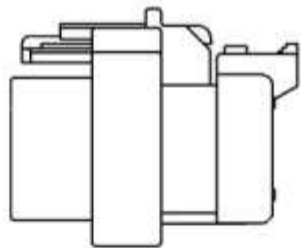


Illustration 162
Connector plug assembly

g01279133

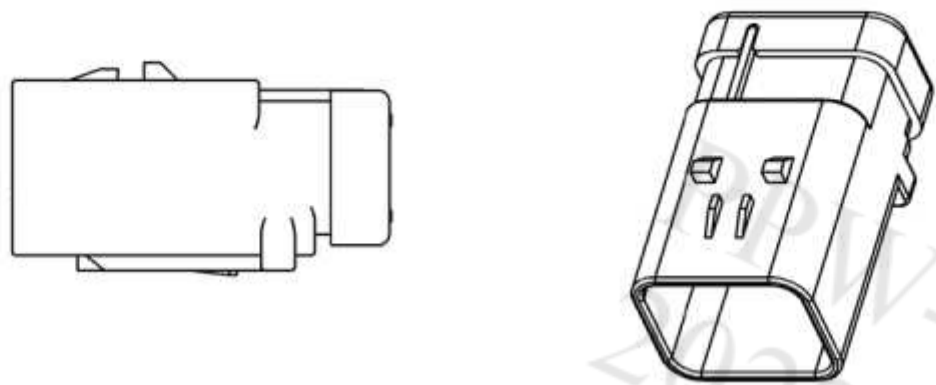


Illustration 163
Connector receptacle assembly

g01279134

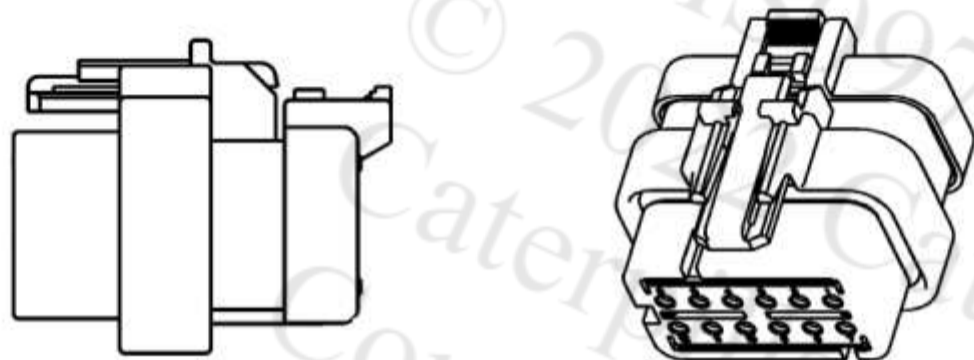


Illustration 164
Connector plug assembly

g01279135

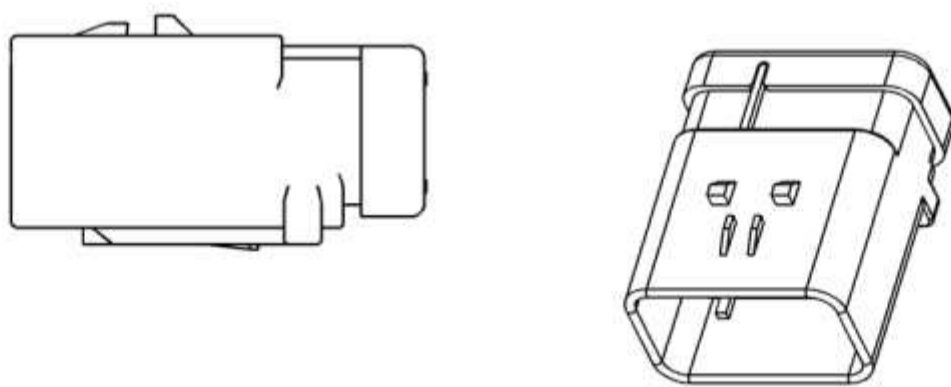


Illustration 165
Connector receptacle assembly

g01279138

Tyco Electronic/Amp Inc. Connectors (Ampseal 16) UL94 VO Related Material

Tyco Electronic/Amp Inc. Connectors (Ampseal 16) UL94 VO Related Material					
Caterpillar Part Number	Caterpillar Part Name	Service Replacement Part Number	Insulation Size (mm ²)	Wire Size (AWG)	Description
297-5475	Connector Plug As	455-0704	2.18 - 3.67	20 - 14	2-position connector plug (key 1)
297-5476	Connector Plug As	455-0704	2.18 - 3.67	20 - 14	2-position connector plug (key 2)

297-5477	Connector Plug As	455-0704	2.18 - 3.67	20 - 14	2-position connector plug (key 3)
297-5478	Connector Plug As	455-0704	2.18 - 3.67	20 - 14	2-position connector plug (key 4)
264-7029	Connector Seal	455-0704	N/A	N/A	2-position connector seal
297-5479	Connector Receptacle As	297-5475	2.18 - 3.67	20 - 14	2-position connector receptacle (key 1)
297-5480	Receptacle As	297-5476	2.18 - 3.67	20 - 14	2-position connector receptacle (key 2)
297-5481	Receptacle As	297-5477	2.18 - 3.67	20 - 14	2-position connector receptacle (key 3)
297-5482	Connector Receptacle As	297-5478	2.18 - 3.67	20 - 14	2-position connector receptacle (key 4)
297-5484	Connector Plug As	455-0705	2.18 - 3.67	20 - 14	3-position connector plug (key 1)
297-5485	Connector Plug As (3-PIN)	455-0705	2.18 - 3.67	20 - 14	3-position connector plug (key 2)
297-5486	Connector Plug As	455-0705	2.18 - 3.67	20 - 14	3-position connector plug (key 3)
297-5487	Connector Plug As	455-0705	2.18 - 3.67	20 - 14	3-position connector plug (key 4)
264-7030	Connector Seal	455-0705	N/A	N/A	3-position connector seal
297-5488	Connector Receptacle As	297-5484	2.18 - 3.67	20 - 14	3-position connector receptacle (key 1)
297-5489	Connector Receptacle As	297-5485	2.18 - 3.67	20 - 14	3-position connector receptacle (key 2)
297-5490	Receptacle As	297-5486	2.18 - 3.67	20 - 14	3-position connector receptacle (key 3)
297-5491	Connector Receptacle As	297-5487	2.18 - 3.67	20 - 14	3-position connector receptacle (key 4)

Table 37

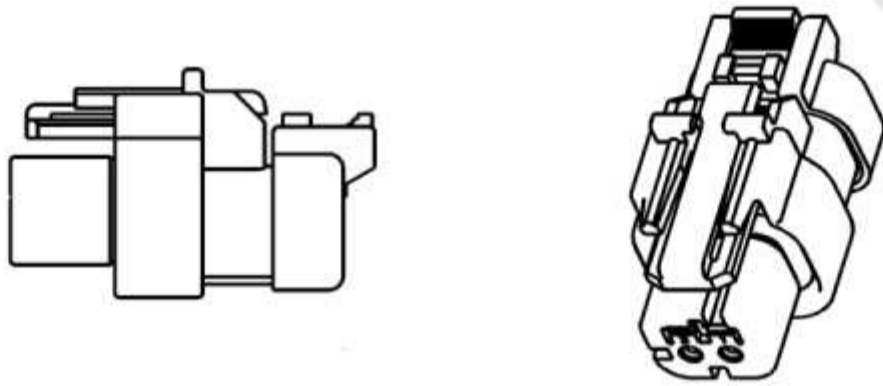
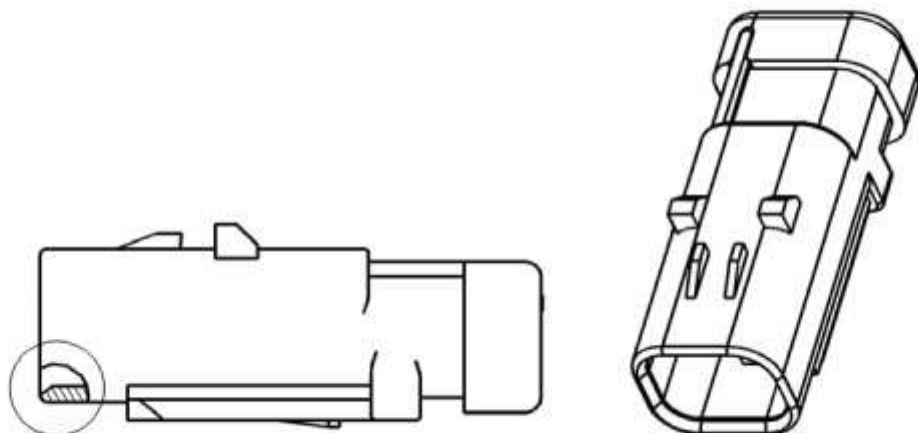
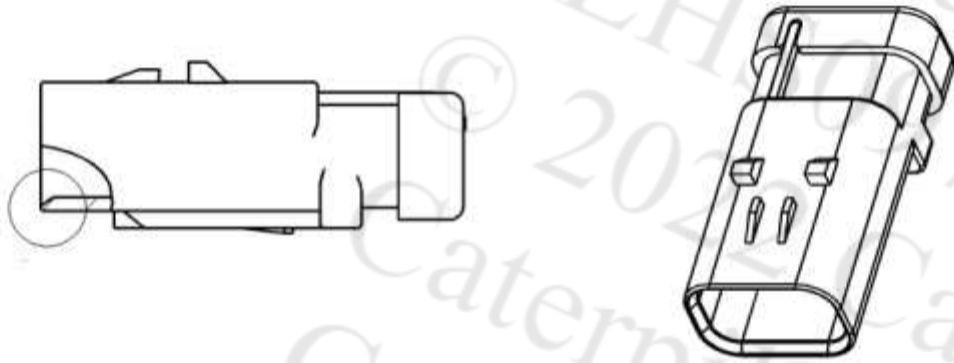
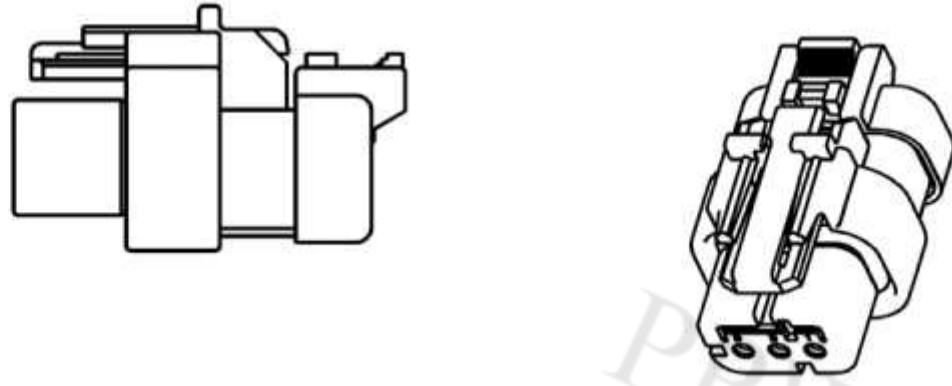


Illustration 166
Connector plug assembly

g01278857



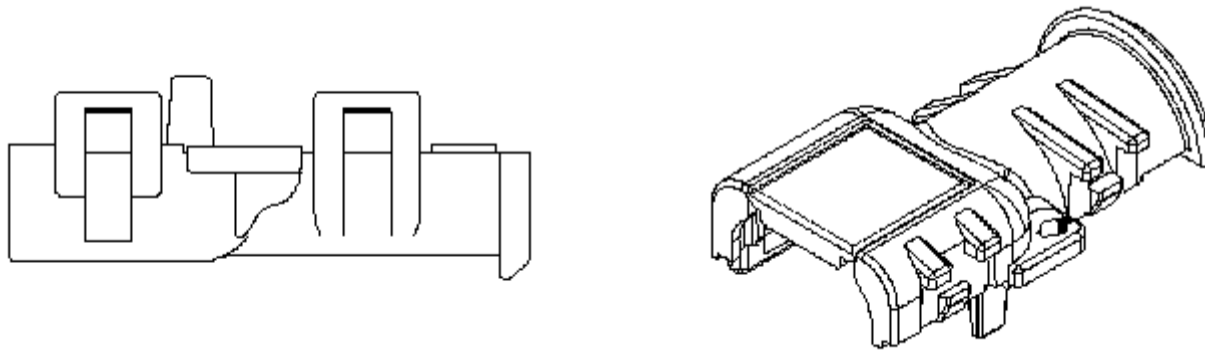


Tyco Electronic/Amp Inc.

Tyco Electronic/Amp Inc.		
Caterpillar Part Number ⁽¹⁾	Caterpillar Part Name	Description
283-0055	Connector Adapter	2-position connector adapter
283-0056	Connector Adapter	3-position connector adapter

Table 38

⁽¹⁾ two halves must be ordered for each connector



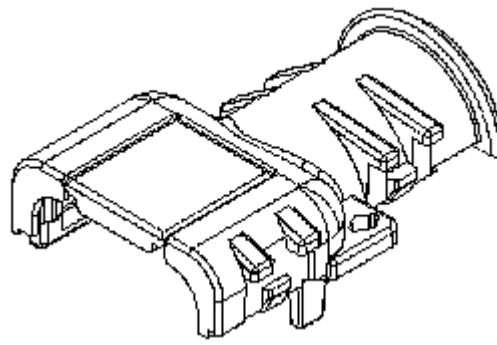
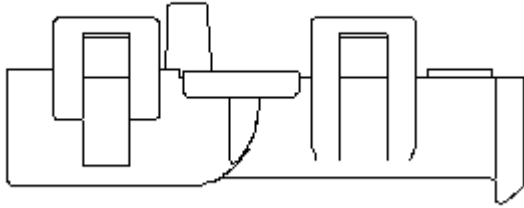


Illustration 171
283-0056 Connector Adapter

g01779953

Ampseal 16 Connectors

2-Pin Ampseal 16 Connectors

2-Pin Ampseal 16 Connectors				
Caterpillar Part Number	Caterpillar Part Name	Insulation Size (mm ²)	Service Replacement Part Number	Description
230-4011	Connector Plug As (2-PIN)	2.18 - 3.67	230-4012	2-pin Plug
238-8245	Connector Plug As (2-PIN)	2.18 - 3.67	238-8246	2-pin Plug
238-8247	Connector Plug As (2-PIN)	2.18 - 3.67	238-8248	2-pin Plug
281-8801	Connector Plug As (2-PIN)	2.18 - 3.67	281-8802	2-pin Plug
240-7874	Connector Plug As	1.3 - 2.54	273-3288	2-pin Plug
240-7876	Connector Plug As	1.3 - 2.54	281-3116	2-pin Plug
240-7877	Connector Plug As	1.3 - 2.54	281-3117	2-pin Plug
281-3115	Connector Plug As (2-PIN)	1.3 - 2.54	281-3118	2-pin Plug
230-4012	Connector Receptacle As	2.18 - 3.67	230-4011	2-pin Receptacle
238-8246	Receptacle As	2.18 - 3.67	238-8245	2-pin Receptacle
238-8248	Connector Receptacle As	2.18 - 3.67	238-8247	2-pin Receptacle
281-8802	Connector Receptacle As (2-PIN)	2.18 - 3.67	281-8801	2-pin Receptacle
273-3288	Connector Receptacle As	1.3 - 2.54	240-7874	2-pin Receptacle
281-3116	Connector Receptacle As (2-PIN)	1.3 - 2.54	240-7876	2-pin Receptacle
281-3117	Connector Receptacle As (2-PIN)	1.3 - 2.54	240-7877	2-pin Receptacle
243-4505	Connector Receptacle As	2.24 - 3.94	230-4011	2-pin Receptacle
296-3286	Connector Receptacle As	2.24 - 3.94	238-8245	2-pin Receptacle
296-3295	Connector Receptacle As	2.24 - 3.94	238-8247	2-pin Receptacle

Table 39

3-Pin Ampseal 16 Connectors

3-Pin Ampseal 16 Connectors				
Caterpillar Part Number	Caterpillar Part Name	Description	Insulation Size (mm ²)	Service Replacement Part Number
230-4013	Connector Plug As (3-PIN)	3-pin Plug	2.18 - 3.67	455-0705
237-0227	Connector Plug As (3-PIN)	3-pin Plug	2.18 - 3.67	455-0705
281-8803	Connector Plug As	3-pin Plug	2.18 - 3.67	455-0705
281-8804	Connector Plug As (3-PIN)	3-pin Plug	2.18 - 3.67	455-0705
240-7878	Connector Plug As	3-pin Plug	1.3 - 2.54	455-0705
240-7879	Connector Plug As	3-pin Plug	1.3 - 2.54	455-0705
281-3119	Connector Plug As (3-PIN)	3-pin Plug	1.3 - 2.54	455-0705
281-3120	Connector Plug As (3-PIN)	3-pin Plug	1.3 - 2.54	455-0705
230-4014	Connector Receptacle As	3-pin Receptacle	2.18 - 3.67	230-4013
237-0228	Connector Receptacle As	3-pin Receptacle	2.18 - 3.67	237-0227
281-8805	Connector Receptacle As	3-pin Receptacle	2.18 - 3.67	281-8803
281-8806	Connector Receptacle As (3-PIN)	3-pin Receptacle	2.18 - 3.67	281-8804
281-3121	Connector Receptacle As	3-pin Receptacle	1.3 - 2.54	240-7878

281-3122	Connector Receptacle As	3-pin Receptacle	1.3 - 2.54	240-7879
243-4506	Connector Receptacle As (3-PIN)	3-pin Receptacle	2.24 - 3.94	230-4013

Table 40

4-Pin Ampseal 16 Connectors

4-Pin Ampseal 16 Connectors				
Caterpillar Part Number	Caterpillar Part Name	Insulation Size (mm ²)	Service Replacement Part Number	Description
230-5008	Connector Plug As (4-PIN)	2.18 - 3.67	455-0706	4-pin plug
239-7349	Connector Plug As	2.18 - 3.67	455-0706	4-pin plug
281-8807	Connector Plug As (4-PIN)	2.18 - 3.67	455-0706	4-pin plug
261-0524	Connector Plug As	1.3 - 2.54	455-0706	4-pin plug
281-3125	Connector Plug As	1.3 - 2.54	455-0706	4-pin plug
281-3126	Connector Plug As (4-PIN)	1.3 - 2.54	455-0706	4-pin plug
281-3127	Connector Plug As (4-PIN)	1.3 - 2.54	455-0706	4-pin plug
230-5009	Connector Receptacle As	2.18 - 3.67	230-5008	4-pin receptacle
239-7350	Connector Receptacle As (4-PIN)	2.18 - 3.67	239-7349	4-pin receptacle
281-8809	Connector Receptacle As (4-PIN)	2.18 - 3.67	281-8807	4-pin receptacle
261-0525	Connector Receptacle As (4-PIN)	1.3 - 2.54	261-0524	4-pin receptacle
281-3128	Connector Receptacle As (4-PIN)	1.3 - 2.54	281-3125	4-pin receptacle
281-3129	Connector Receptacle As (4-PIN)	1.3 - 2.54	281-3126	4-pin receptacle
281-3130	Connector Receptacle As (4-PIN)	1.3 - 2.54	281-3127	4-pin receptacle
243-4507	Connector Receptacle As (4-PIN)	2.24 - 3.94	230-5008	4-pin receptacle
335-8849	Receptacle As	1.35 - 2.4	230-5008	4-pin receptacle

Table 41

6-Pin Ampseal 16 Connectors

6-Pin Ampseal 16 Connectors				
Caterpillar Part Number	Caterpillar Part Name	Insulation Size (mm ²)	Service Replacement Part Number	Description
230-5010	Connector Plug As (6-PIN)	2.18 - 3.67	455-0707	6-pin plug
239-7352	Connector Plug As (6-PIN)	2.18 - 3.67	455-0707	6-pin plug
281-8811	Connector Plug As	2.18 - 3.67	455-0707	6-pin plug
281-3132	Connector Plug As	1.3 - 2.54	455-0707	6-pin plug
281-3134	Connector Plug As (6-PIN)	1.3 - 2.54	455-0707	6-pin plug
230-5011	Connector Receptacle As	2.18 - 3.67	230-5010	6-pin receptacle
239-7353	Connector Receptacle As	2.18 - 3.67	239-7352	6-pin receptacle
281-8812	Connector Receptacle As	2.18 - 3.67	281-8811	6-pin receptacle
281-3136	Connector Receptacle As	1.3 - 2.54	281-3132	6-pin receptacle
281-3137	Connector Receptacle As	1.3 - 2.54	281-3133	6-pin receptacle
281-3139	Connector Receptacle As (6-PIN)	1.3 - 2.54	281-3134	6-pin receptacle
243-4508	Connector Receptacle As (6-PIN)	2.24 - 3.94	230-5010	6-pin receptacle
296-3307	Receptacle As	2.24 - 3.94	239-7352	6-pin receptacle
361-7886	Connector Receptacle As	1.35 - 2.4	230-5010	6-pin receptacle
247-2693	Connector Receptacle As (6-PIN)	1.35 - 2.4	281-3133	6-pin receptacle

Table 42

8-Pin Ampseal 16 Connectors

8-Pin Ampseal 16 Connectors				
Caterpillar Part Number	Caterpillar Part Name	Description	Insulation Size (mm ²)	Service Replacement Part Number
231-2295	Connector Plug As	8-pin plug	2.18 - 3.67	455-0708
231-2296	Connector Plug As	8-pin plug	2.18 - 3.67	455-0708

231-2297	Connector Receptacle As	8-pin plug	2.18 - 3.67	455-0708
231-2298	Plug As	8-pin plug	2.18 - 3.67	455-0708
231-2300	Connector Receptacle As	8-pin receptacle	2.18 - 3.67	231-2295
231-2301	Connector Receptacle As	8-pin receptacle	2.18 - 3.67	231-2296
260-6727	Connector Receptacle As	8-pin receptacle	1.3 - 2.54	281-3388
281-3392	Connector Receptacle As (8-PIN)	8-pin receptacle	1.3 - 2.54	281-3389
243-4509	Connector Receptacle As (8-PIN)	8-pin receptacle	2.24 - 3.94	231-2295
296-3309	Receptacle As	8-pin receptacle	2.24 - 3.94	231-2296
325-9571	Connector Receptacle As	8-pin receptacle	1.35 - 2.4	231-2295

Table 43

12-Pin Ampseal 16 Connectors

12-Pin Ampseal 16 Connectors				
Caterpillar Part Number	Caterpillar Part Name	Insulation Size (mm ²)	Service Replacement Part Number	Description
230-4009	Connector Plug As (12-PIN)	2.18 - 3.67	455-0709	12-pin plug
239-7356	Connector Plug As (12-PIN)	2.18 - 3.67	455-0709	12-pin plug
241-8834	Connector Plug As	2.18 - 3.67	455-0709	12-pin plug
281-3395	Connector Plug As (12-PIN)	1.34 - 2.54	455-0709	12-pin plug
281-3396	Connector Plug As (12-PIN)	1.34 - 2.54	455-0709	12-pin plug
281-3397	Connector Plug As (12-PIN)	1.34 - 2.54	455-0709	12-pin plug
230-4010	Connector Receptacle As	2.18 - 3.67	N/A	12-pin receptacle
239-7357	Connector Receptacle As	2.18 - 3.67	N/A	12-pin receptacle
241-8835	Connector Receptacle As	2.18 - 3.67	N/A	12-pin receptacle
260-6728	Connector Receptacle As	1.3 - 2.54	N/A	12-pin receptacle
281-4033	Connector Receptacle As (12-PIN)	1.3 - 2.54	N/A	12-pin receptacle
243-4510	Connector Receptacle As (12-PIN)	2.24 - 3.94	N/A	12-pin receptacle
272-5000	Connector Receptacle As	2.24 - 3.94	N/A	12-pin receptacle
247-2694	Connector Receptacle As (12-PIN)	1.3 - 2.54	N/A	12-pin receptacle
247-2695	Connector Receptacle As (12-PIN)	1.3 - 2.54	N/A	12-pin receptacle
417-2635	Receptacle As	1.3 - 2.54	N/A	12-pin receptacle

Table 44

Ampseal 16 Replacement Terminals

Ampseal 16 Replacement Terminals			
Caterpillar Part Number	Caterpillar Part Name	Description	Wire Size (AWG)
133-0967	Connector Pin	Gold Plated Pin	16, 18, and 20
126-1767	Connector Pin (14-GA TO 16-GA)	Gold Plated Pin	14
8T-8729	Connector Pin	Nickel Plated Pin	16, 18, and 20
9W-0852	Connector Pin	Nickel Plated Pin	14
9X-3402	Connector Socket (16-GA TO 18-GA)	Gold Plated Socket	16, 18, and 20
126-1768	Connector Socket (14-GA TO 16-GA)	Gold Plated Socket	14
133-0969	Socket Connector	Gold Plated Socket	16, 18, and 20
8T-8730	Connector Socket	Nickel Plated Socket	16, 18, and 20
9W-0844	Connector Socket	Nickel Plated Socket	14

Table 45

Ampseal 16 Reverse Mount Receptacles for 130-5300 Clip and 130-5301 Clip

Ampseal 16 Reverse Mount Receptacles for 130-5300 Clip and 130-5301 Clip		
Caterpillar Part Number	Caterpillar Part Number	Description
243-4505	Connector Receptacle As	2-position receptacle, reverse mount (key 1)
243-4506	Connector Receptacle As (3-PIN)	3-position receptacle, reverse mount (key 1)
243-4507	Connector Receptacle As (4-PIN)	4-position receptacle, reverse mount (key 1)
243-4509	Connector Receptacle As (8-PIN)	6-position receptacle, reverse mount (key 1)
243-4510	Connector Receptacle As	12 position receptacle, reverse mount (key 1)
296-3286	Connector Receptacle As	2-position receptacle, reverse mount (key 2)
296-3295	Connector Receptacle As	2-position receptacle, reverse mount (key 3)
296-3300	Receptacle As	2-position receptacle, reverse mount (key 4)
296-3301	Receptacle As	3-position receptacle, reverse mount (key 2)
296-3302	Receptacle As	3-position receptacle, reverse mount (key 3)
296-3303	Receptacle As	3-position receptacle, reverse mount (key 4)
296-3304	Receptacle As	4-position receptacle, reverse mount (key 2)
296-3305	Receptacle As	4-position receptacle, reverse mount (key 3)
296-3306	Receptacle As	4-position receptacle, reverse mount (key 4)
296-3307	Receptacle As	6-position receptacle, reverse mount (key 2)
296-3308	Connector Receptacle As	6-position receptacle, reverse mount (key 3)
296-3309	Receptacle As	8-position receptacle, reverse mount (key 2)
296-3310	Receptacle As	8-position receptacle, reverse mount (key 3)
296-3311	Receptacle As	8-position receptacle, reverse mount (key 4)
272-5000	Connector Receptacle As	12 position receptacle, reverse mount (key 2)
296-3318	Connector Receptacle As	12 position receptacle, reverse mount (key 3)
296-3319	Receptacle As	12 position receptacle, reverse mount (key 4)

Table 46

Ampseal 16 Reverse Mount Receptacles for 130-5300 Clip and 130-5301 Clip with Reduced Wire Seal Diameters

Ampseal 16 Reverse Mount Receptacles for 130-5300 Clip and 130-5301 Clip with Reduced Wire Seal Diameters		
Caterpillar Part Number	Caterpillar Part Name	Description
247-2693	Connector Receptacle As (6-PIN)	6-position receptacle (key 2), reverse mounting, reduced diameter wire seal
247-2694	Connector Receptacle As (12-PIN)	12 position receptacle (key 1), reverse mounting, reduced diameter wire seal
247-2695	Connector Receptacle As (12-PIN)	12 position receptacle (key 2), reverse mounting, reduced diameter wire seal
313-2495	Connector Receptacle As	2-position receptacle (key 1), reverse mounting, reduced diameter wire seal
359-5181	Receptacle As	2-position receptacle (key 2), reverse mounting, reduced diameter wire seal
335-8849	Receptacle As	4-position receptacle (key 2), reverse mounting, reduced diameter wire seal
361-7886	Connector Receptacle As	6-position receptacle (key 2), reverse mounting, reduced diameter wire seal
325-9571	Connector Receptacle As	8-position receptacle (key 1), reverse mounting, reduced diameter wire seal
417-2635	Receptacle As	12 position receptacle (key 3), reverse mounting, reduced diameter wire seal
417-2636	Receptacle As	12 position receptacle (key 4), reverse mounting, reduced diameter wire seal

Table 47

Ampseal Terminals for Repair

DT Replacement Terminals			
Sizes	DT Type Part Number Molded/Printed on Connector or Part	Service Replaced By Caterpillar Part Number	Description
18 AWG and 16 AWG	None	8T-8729 Connector Pin	Nickel Plated Pin
14 AWG	None	9W-0852 Connector Pin	
18 AWG and 16 AWG	None	9X-3401 Connector Pin	Gold Plated Pin
14 AWG	None	126-1767 Pin Connector	
18 AWG and 16 AWG	None	8T-8730 Connector Socket	Nickel Plated Socket
14 AWG	None	9W-0844 Connection Socket	
18 AWG and 16 AWG	None	9X-3402 Connector Socket	Gold Plated Socket
14 AWG	None	126-1768 Connector Socket	
18 AWG and 16 AWG	None	133-0969 Socket Connector	J1939 Extended Gold Plated Socket
18 AWG and 16 AWG	None	133-0967 Connector Pin	J1939 Extended Gold Plated Pin

Table 48

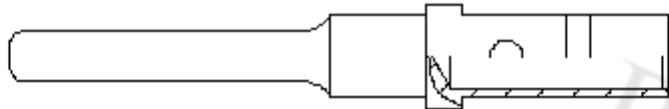


Illustration 172
126-1767 Pin Connector

g00780133

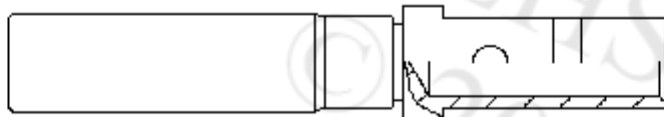


Illustration 173
126-1768 Connector Socket

g00780161



Illustration 174
133-0969 Socket Connector

g03326211

Ampseal 16 Service Tools

Ampseal 16 Service Tools		
Caterpillar Part Number	Caterpillar Part Name	Description
147-6456	Wedge Removal Tool	Wedge Removal Tool
1U-5804	Crimp Tool (12-GA TO 18-GA)	Contact crimp tool (machined terminals only)
369-4181	Tool Gp	Ampseal Service Kit
362-3555	Connector Repair Kit	Ampseal Service Kit

Table 49

Ampseal 16 Miscellaneous		
Caterpillar Part Number	Caterpillar Part Name	Description
8T-8737	Seal Plug	Sealing Plug
347-4734	Clip	Mounting Clip
347-4735	Clip	Mounting Clip
422-7164	Clip	Mounting Clip
484-1454	Retaining Clip	Mounting Clip

Table 50

DRC Connectors

DRC Connectors				
Caterpillar Part Number	Caterpillar Part Name	Insulation Size (mm ²)	Service Replacement Part Number	Description
9X-0146	Connector Receptacle As	2.24 - 3.4	7X-6222	24-pin Receptacle (Key A)
390-5202	Receptacle As	1.35 - 3.05	175-3360	24-pin Receptacle (Key A)
9X-0145	Connector Receptacle As	2.24 - 3.4	320-9861	24-pin Receptacle (Key A)
7X-6221	Receptacle As	2.24 - 3.4	320-9861	24-pin Receptacle (Key A)
7X-6222	Connector Plug As	2.24 - 3.4	9X-3265	24-pin Plug (Key A)
9X-7144	Connector Plug As	2.24 - 3.4	9X-3265	24-pin Plug (Key B)
9X-7146	Connector Plug As	2.24 - 3.4	9X-3265	24-pin Plug (Key C)
9X-1339	Connector Receptacle As	2.24 - 3.4	9X-0141	40-pin Receptacle (Key A)
9X-1343	Connector Receptacle As	2.24 - 3.4	9X-0141	40-pin Receptacle (Key A)
175-3362	Connector Receptacle As	1.35 - 3.05	9X-0141	40-pin Receptacle (Key A)
9X-7148	Connector Receptacle As	2.24 - 3.4	9X-7147	40-pin Receptacle (Key B)
175-3364	Receptacle As	1.35 - 3.05	9X-7147	40-pin Receptacle (Key B)
183-5785	Receptacle As	2.24 - 3.4	183-5784	40-pin Receptacle (Key C)
8T-9833	Connector Receptacle	2.24 - 3.4	8T-9834	40-pin Receptacle (Key U)
3E-9399	Receptacle As	2.24 - 3.4	8T-9834	40-pin Receptacle (Key U)
175-3361	Connector Plug As	1.35 - 3.05	9X-3490	40-pin Plug (Key A)
9X-0141	Connector Plug As	2.54 - 3.4	9X-3490	40-pin Plug (Key A)
9X-7147	Connector Plug As	2.54 - 3.4	9X-3490	40-pin Plug (Key B)
175-3363	Connector Plug As	1.35 - 3.05	9X-3490	40-pin Plug (Key B)
183-5784	Connector Plug As	2.54 - 3.4	9X-3490	40-pin Plug (Key C)

8T-9834	Connector Plug As	2.54 - 3.4	9X-3132	40-pin Plug (Key U)
270-1579	Receptacle As	N/A	N/A	50-pin Receptacle (Key 1)
253-8112	Plug	1.9 - 3.15	240-4590	50-pin Plug (Key 1)
103-0213	Connector Receptacle As	2.54 - 3.4	9X-4391	70-pin Receptacle (Key A)
175-3366	Receptacle As	1.35 - 3.05	9X-1200	70-pin Receptacle (Key A)
175-7061	Connector Receptacle As	2.54 - 3.4	9X-0347	70-pin Receptacle (Key B)
9X-4391	Connector Plug As	2.54 - 3.4	9X-5615	70-pin Plug (Key A)
175-3365	Connector Plug As	1.35 - 3.05	9X-5615	70-pin Plug (Key A)
9X-0347	Connector Plug As	2.54 - 3.4	9X-5615	70-pin Plug (Key B)
3E-6448	Connector Plug As	2.54 - 3.4	9X-5615	70-pin Plug (Key D)
245-8022	Receptacle As	1.35 - 3.05	9X-4391	70-pin Receptacle
245-8024	Plug As	1.35 - 3.05	9X-5615	70-pin Receptacle

Table 51

DRC Connectors (Model View)

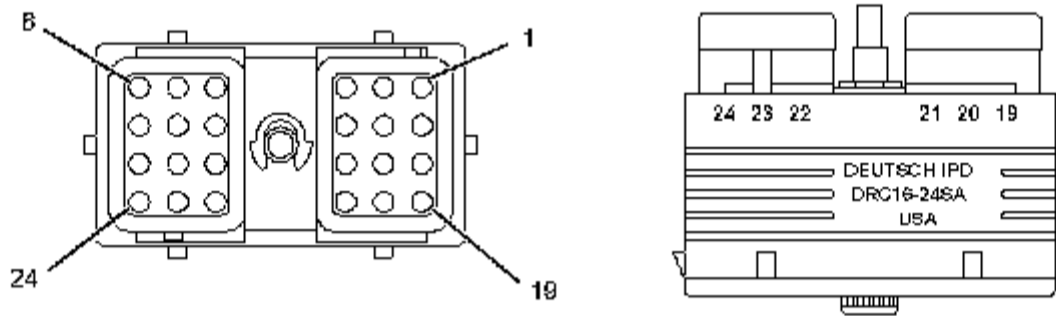


Illustration 175
7X-6222 Connector Plug

g03326536

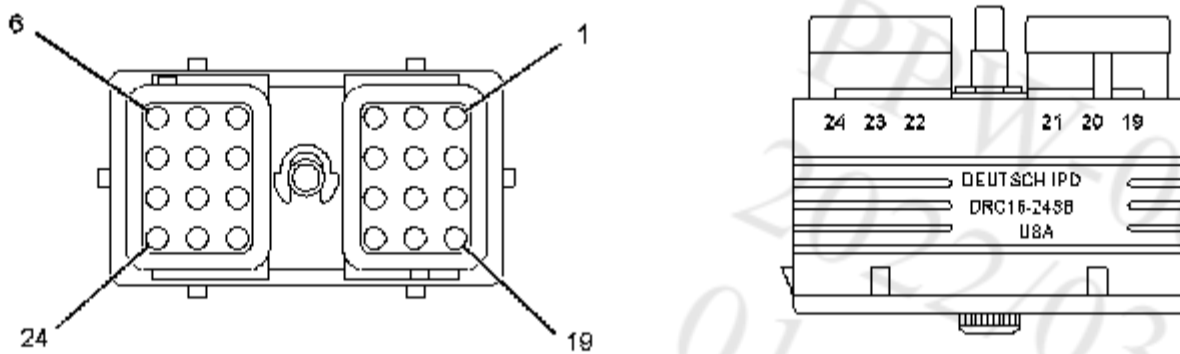


Illustration 176
9X-7144 Connector Plug

g03326539

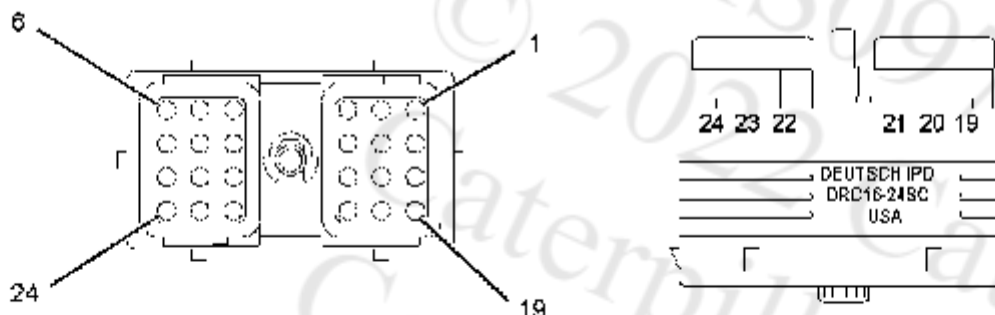


Illustration 177
9X-7146 Connector Plug

g03326544

01:44:45-05:00
REHS0970
© 2022 Caterpillar
Confidential Caterpillar Inc.

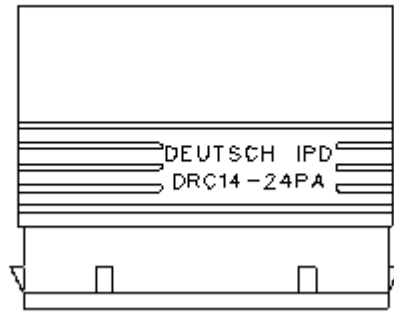
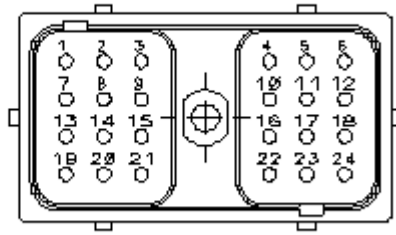


Illustration 178
9X-0146 Receptacle As

g00922807

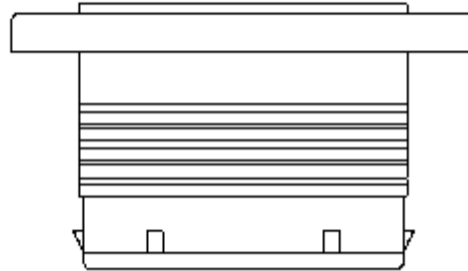
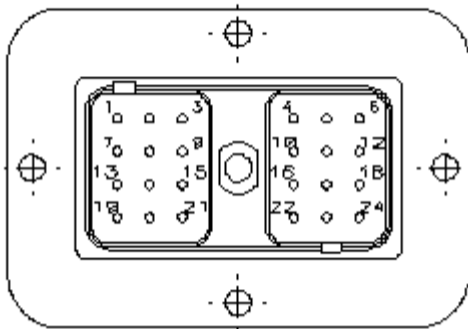


Illustration 179
9X-0145 Receptacle As

g00922810

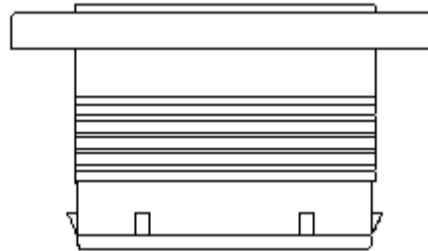
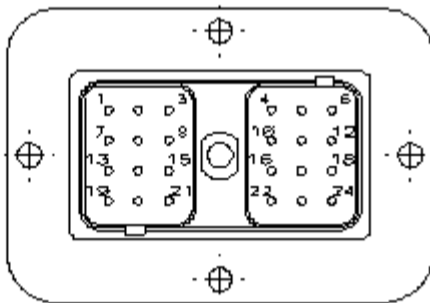


Illustration 180
9X-7143 Receptacle As

g00922813

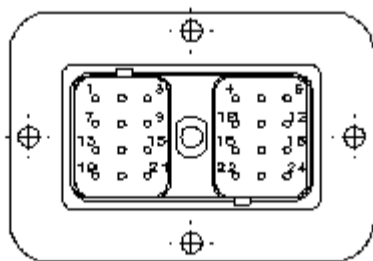


Illustration 181
9X-7145 Receptacle As

g00922814

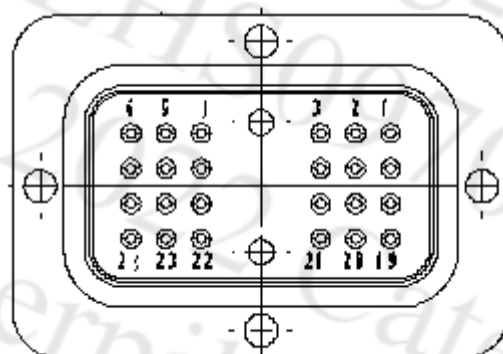
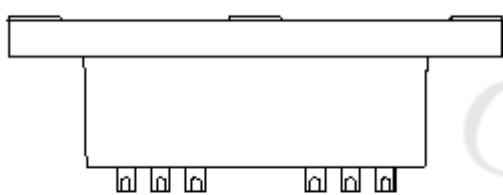


Illustration 182
7X-6221 Receptacle As

g01763838

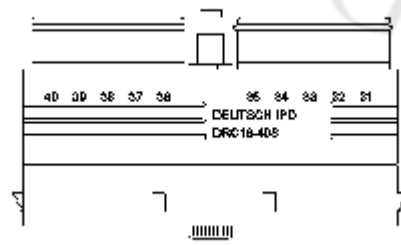
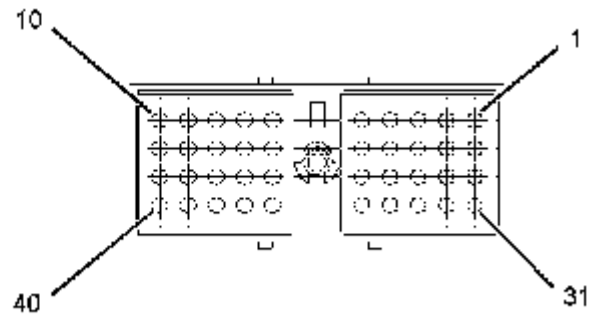


Illustration 183
8T-9834 Connector Plug

g03326547

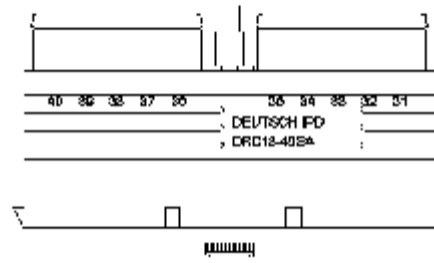
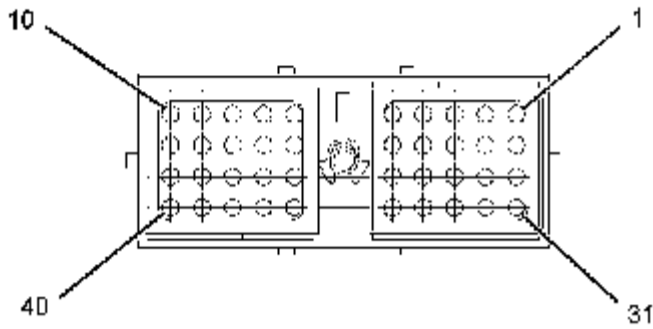


Illustration 184
9X-0141 Connector Plug

g03326549

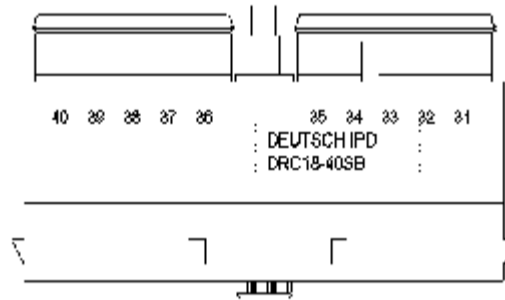
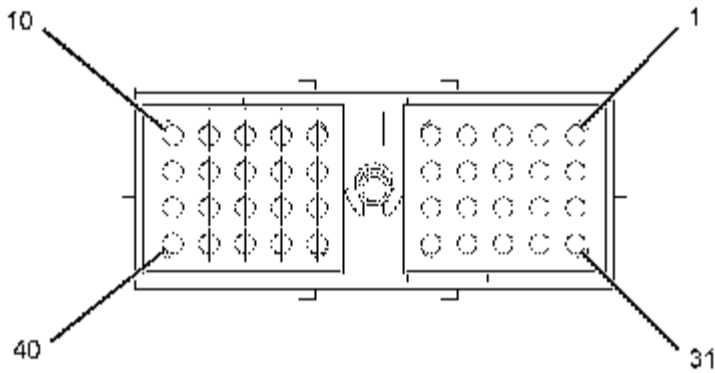


Illustration 185
9X-7147 Connector Plug

g03326550

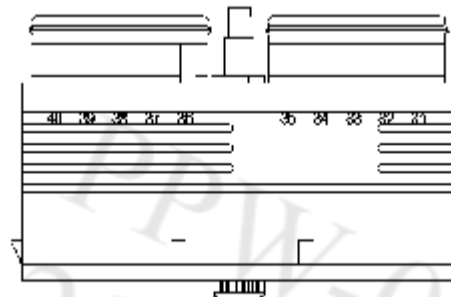
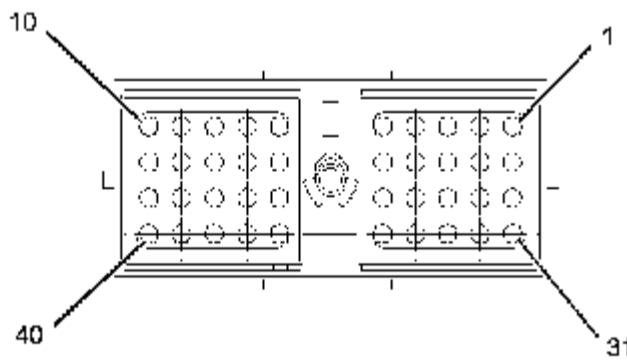
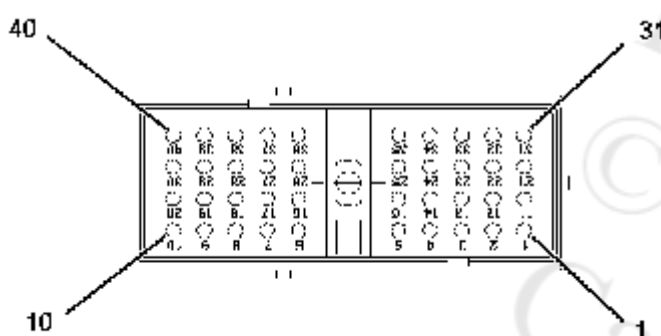


Illustration 186
183-5784 Connector Plug

g03326551



Initial Green LLC.
© 2022/03/01
01:44:45-05:00
REHS0970
© 2022 Caterpillar
PW-0000833F

Illustration 187
9X-1339 Receptacle As

g03326554

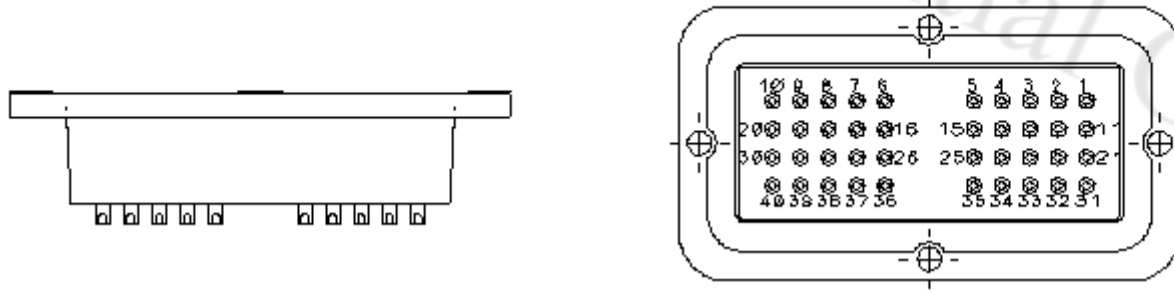


Illustration 188
8T-9833 Connector Receptacle

g00923427

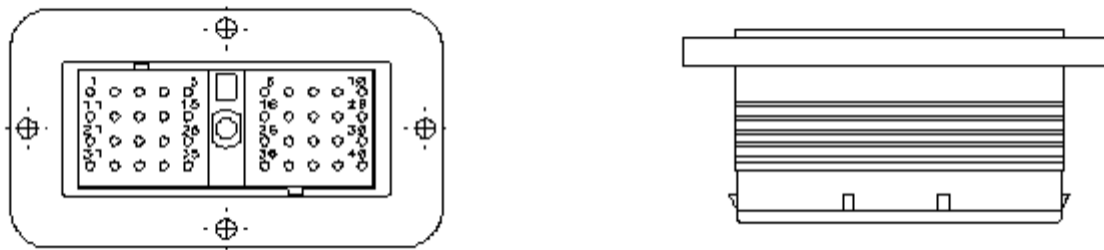


Illustration 189
9X-1343 Receptacle As

g00923443

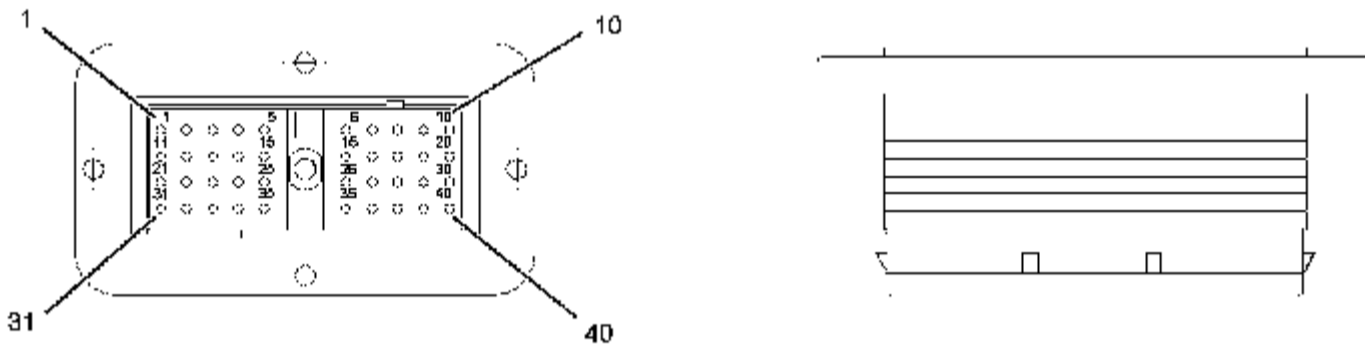


Illustration 190
9X-7148 Connector Receptacle As

g03205619

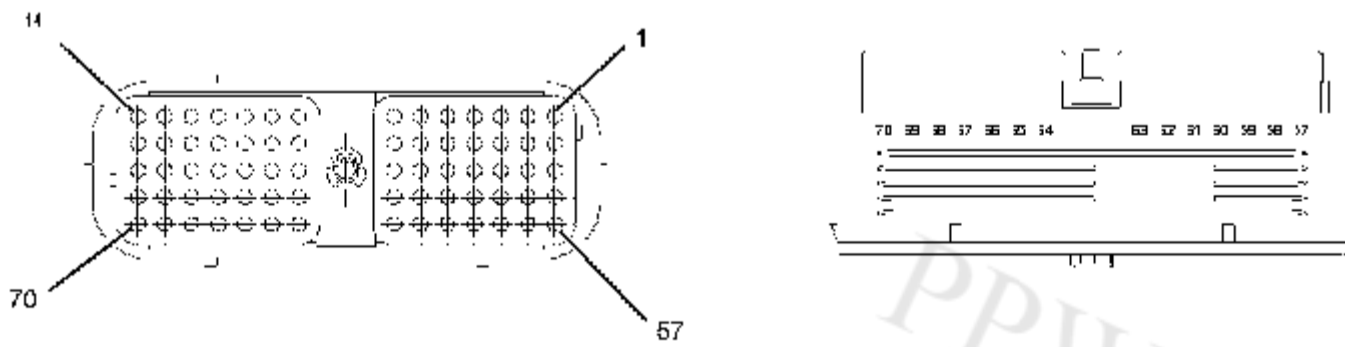


Illustration 191
9X-4391 Connector Plug

g03326528

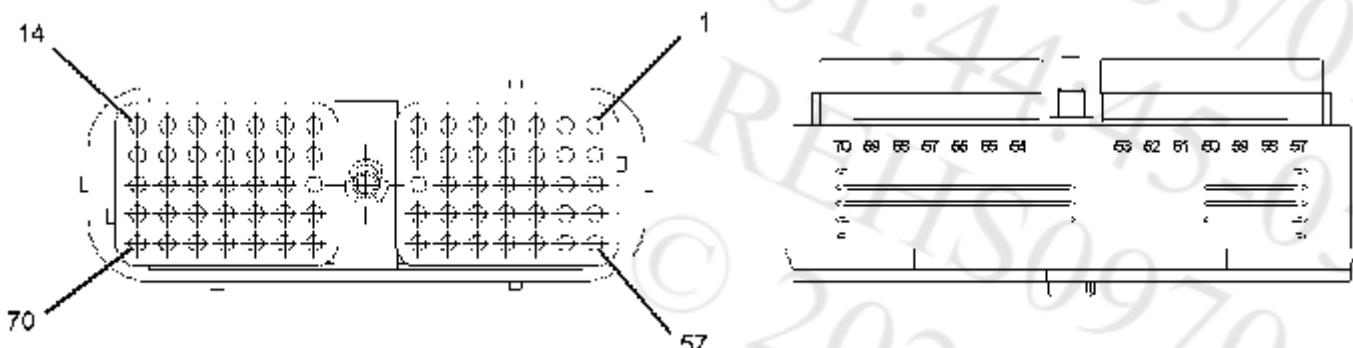


Illustration 192
9X-0347 Plug

g03326563

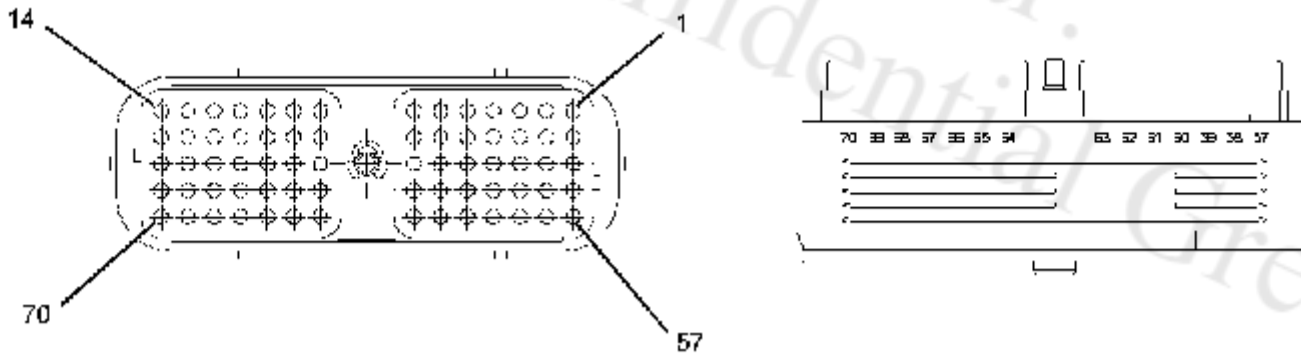


Illustration 193
3E-6448 Connector Plug

g03326567

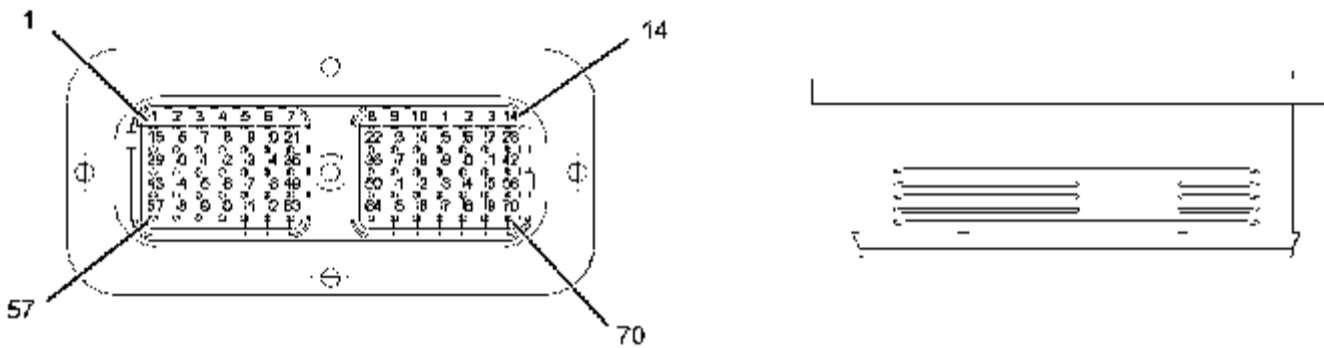


Illustration 194
103-0213 Receptacle As

g03326569

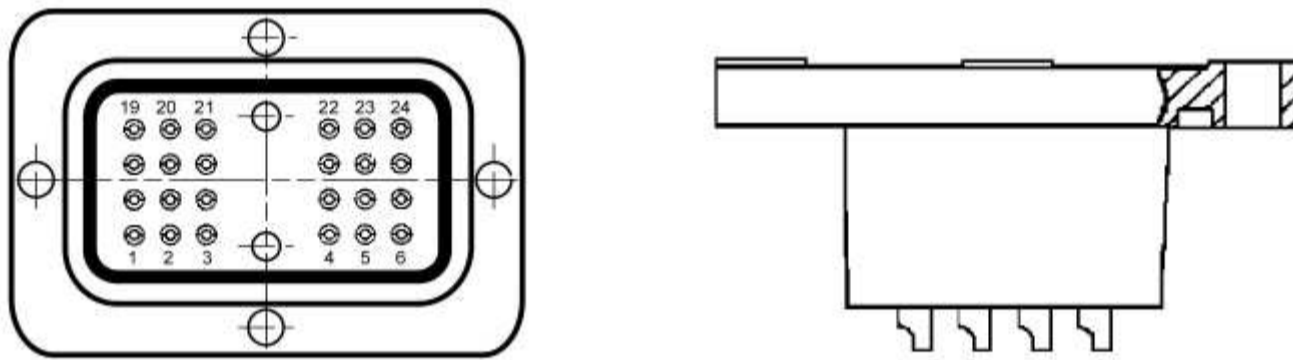


Illustration 195
3E-5312 Receptacle As

g03205617

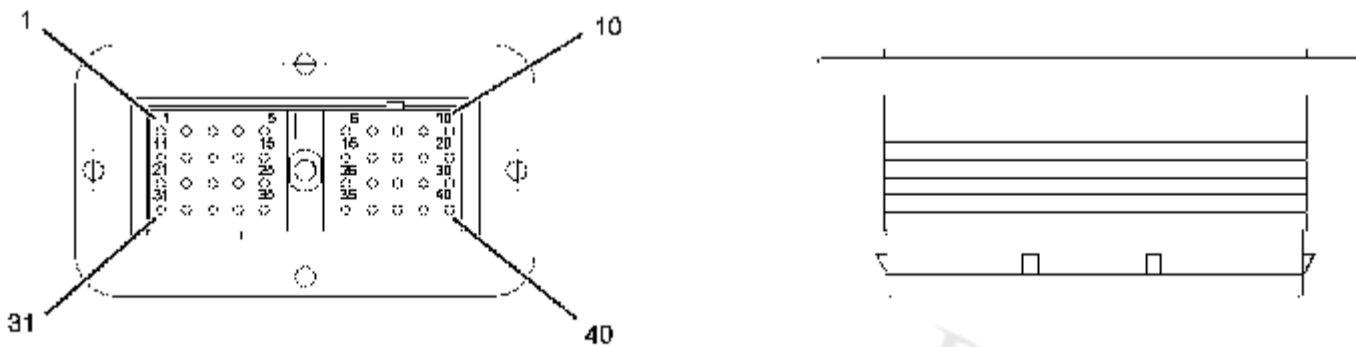


Illustration 196
9X-7148 Connector Receptacle As

g03205619



Caterpillar Confidential
Caterpillar Inc.
Green

PPW-0000833F
2022/03/01
01:44:45-05:00
REHS

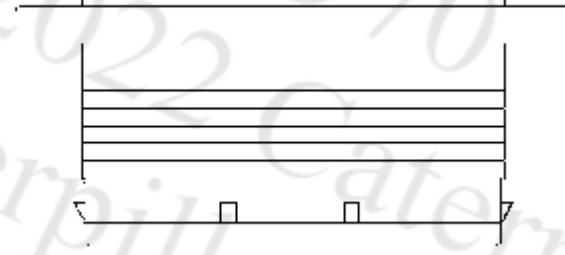
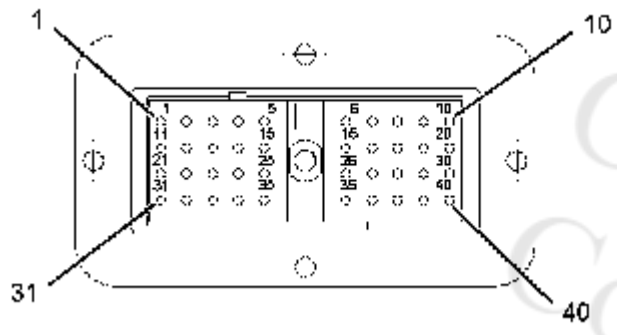


Illustration 197
183-5785 Receptacle As

g03205623

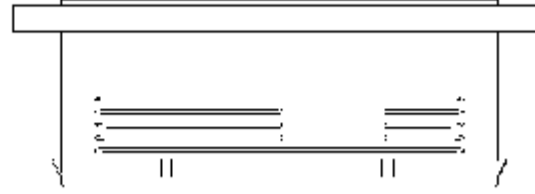
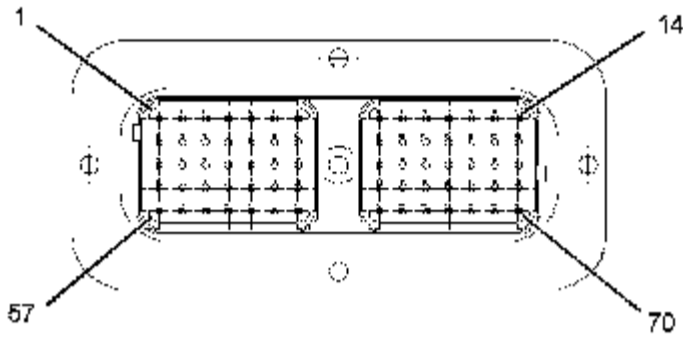


Illustration 198
175-7061 Connector Receptacle As

g03205636

DTCE Connectors

DTCE Connectors			
Caterpillar Part Number	Caterpillar Part Name	Service Tool Part Number	Description
127-5483	Connector Plug As	4C-4075	4/6 AWG Plug
127-5484	Connector Receptacle As	4C-4075	4/6 AWG Receptacle
127-5485	Connector Plug As	4C-4075	8/10 AWG Plug
127-5486	Connector Receptacle As	4C-4075	8/10 AWG Receptacle
129-7163	Connector Plug As	1U-5804	12 AWG Plug
129-7164	Connector Receptacle As	1U-5804	12 AWG Receptacle

Table 52

DTCE Connectors (Model View)

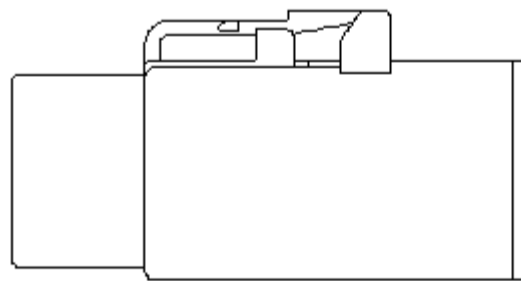
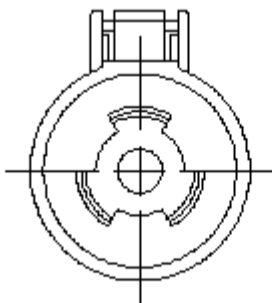


Illustration 199
127-5483 Connector Plug As

g00923737

PPW-00000833F
2022/03/01
01:44

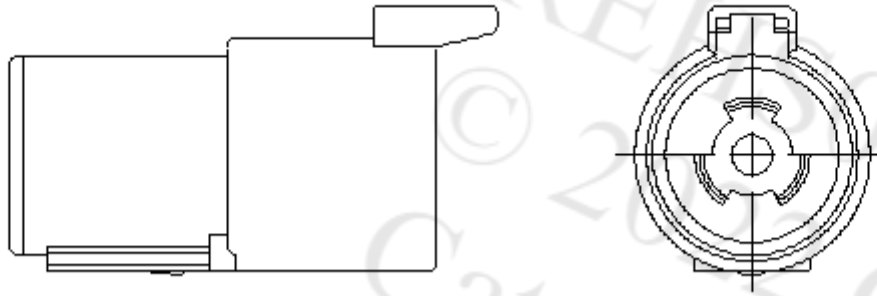


Illustration 200
127-5484 Connector Receptacle As

g00923740

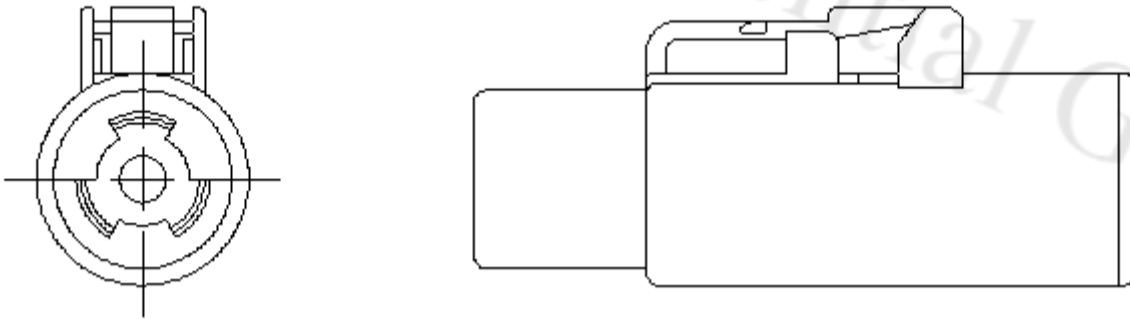


Illustration 201
127-5485 Connector Plug As

g00923742

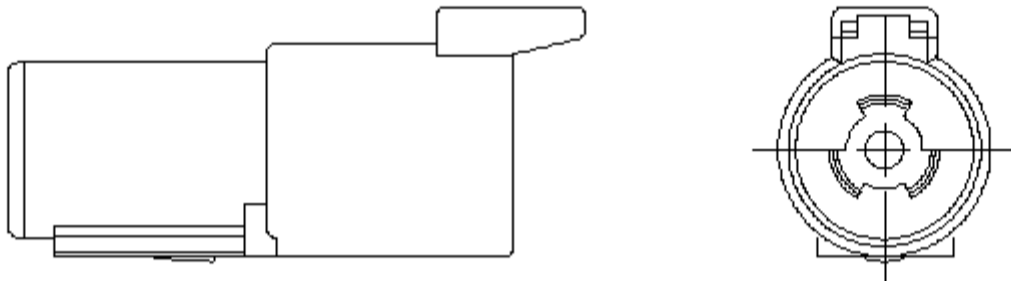


Illustration 202
127-5486 Connector Receptacle As

g00923758

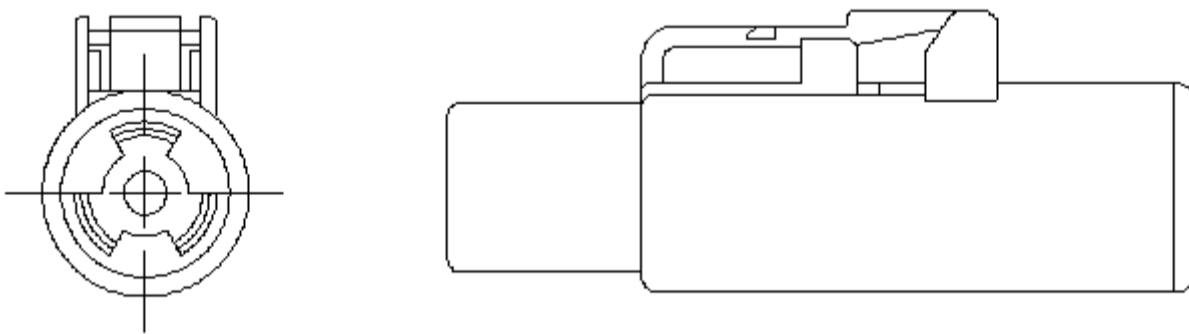


Illustration 203
129-7163 Connector Plug As

g00923774

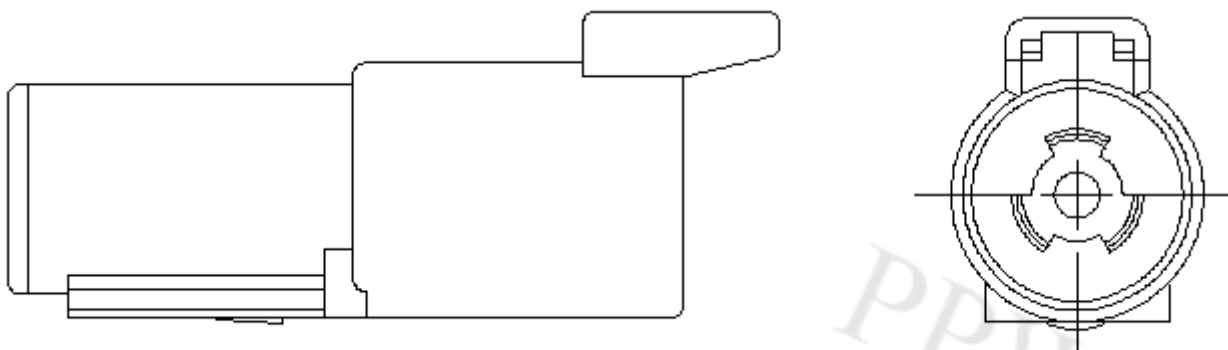


Illustration 204
129-7164 Connector Receptacle As

g00923792

AEC Connectors

AEC Connectors					
Caterpillar Part Number	Caterpillar Part Name	Service Tool Part Number	Service Replacement Part Number	Description	Insulation Size (mm ²)
324-6266	Connector Plug As	121-9588	110-6844	40-pin Plug	1.35 - 305
3E-6286	Connector Plug As	121-9588	110-6844	40-pin Plug	2.54 - 3.4
126-7127	Plug As	121-9588	110-6844	40-pin Plug	1.35 - 305
324-6267	Connector Receptacle As	121-9588	324-6266	40-pin Receptacle	1.35 - 305
113-0580	Connector Receptacle As	121-9588	106-4155	40-pin Receptacle	2.54 - 3.4
324-6268	Connector Plug As	121-9588	110-6844	40-pin Plug	1.35 - 3.05
324-6269	Receptacle As	121-9588	324-6268	40-pin Receptacle	1.35 - 3.05
113-0581	Connector Receptacle As	121-9588	106-4155	40-pin Receptacle	2.54 - 3.4
113-0582	Connector Receptacle As	121-9588	106-4155	40-pin Receptacle	2.54 - 3.4
113-0583	Connector Receptacle As	121-9588	106-4155	40-pin Receptacle	2.54 - 3.4
105-2081	Plug As	121-9588	110-6844	40-pin Plug	2.54 - 3.4
104-9655	Receptacle As	121-9588	106-4155	40-pin Receptacle	2.54 - 3.4
111-1562	Receptacle As	121-9588	6V-6703	40-pin Receptacle	2.25

Table 53

AEC Connectors (Model Views)

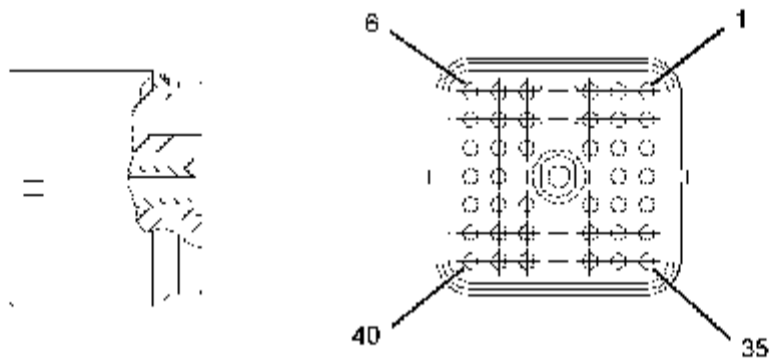


Illustration 205
105-2081 Plug As

g03326571

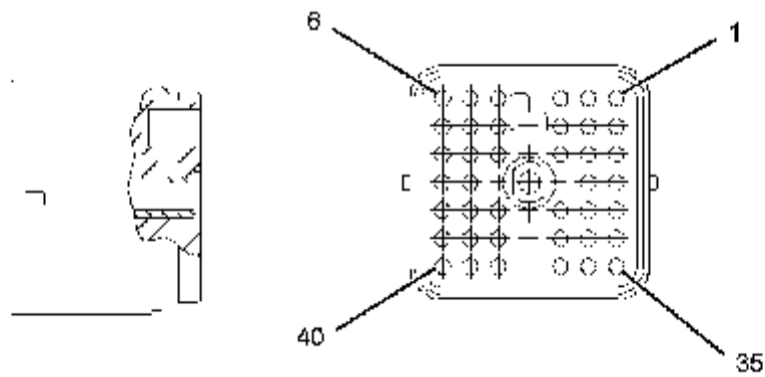


Illustration 206
114-4408 Connector Plug As

g03326572

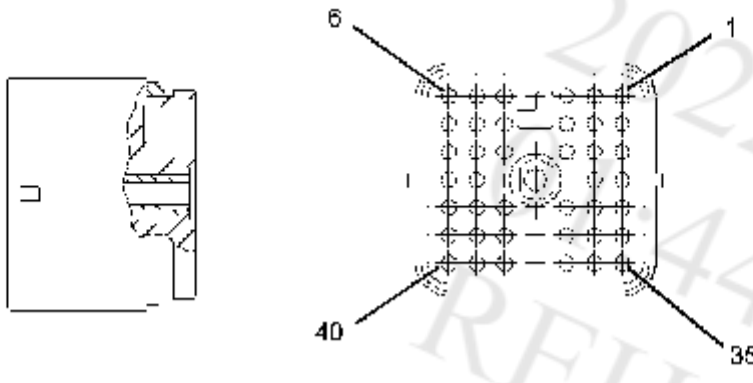


Illustration 207
126-7127 Plug As

g03326579

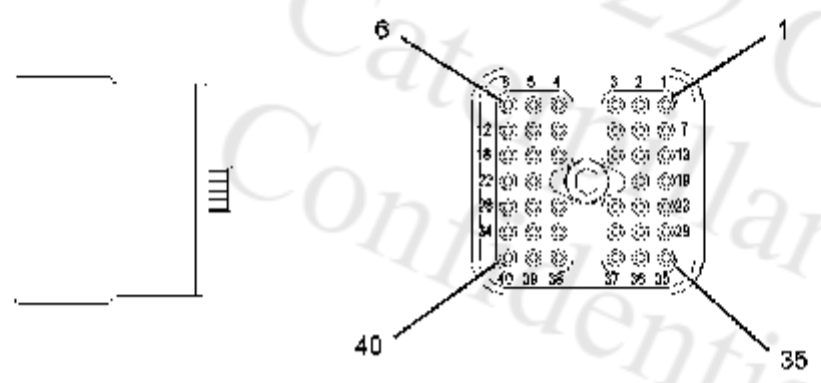


Illustration 208
113-0580 Connector Receptacle As

g03326586

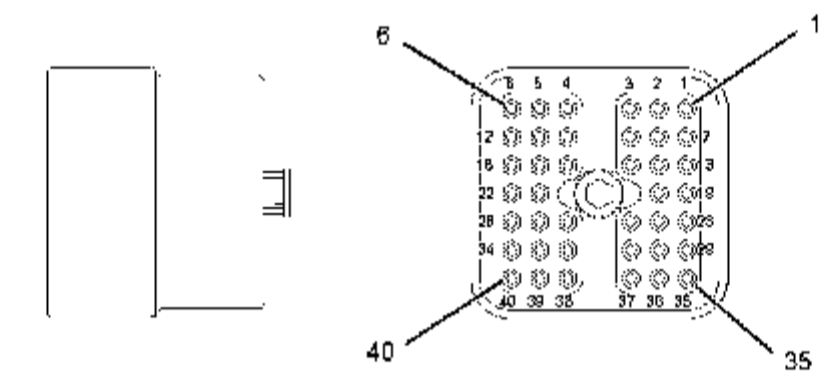


Illustration 209
113-0581 Connector Receptacle As

g03326587

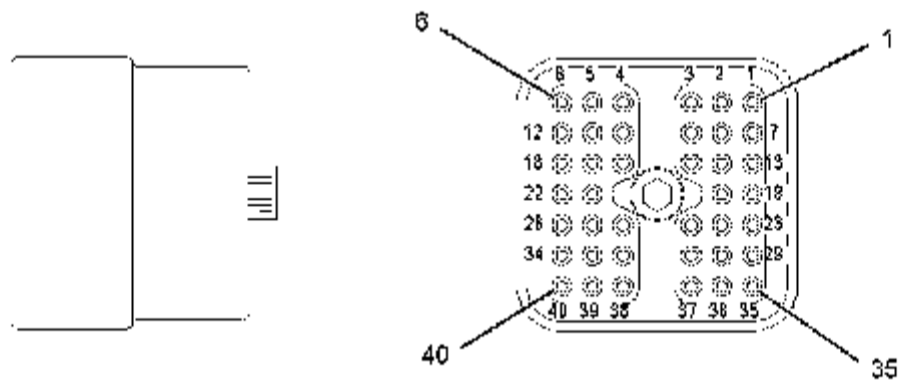


Illustration 210
113-0582 Connector Receptacle As

g03326591

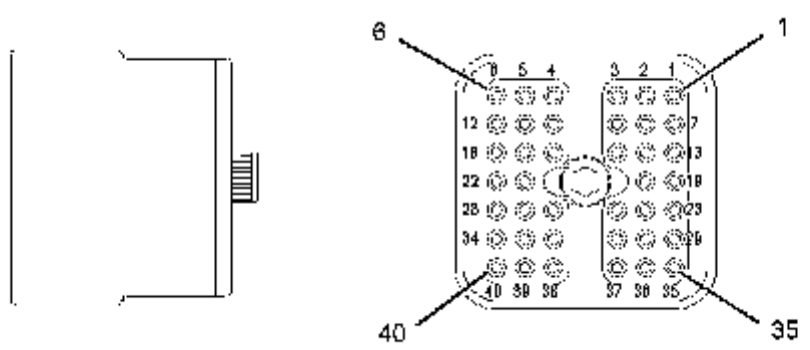


Illustration 211
104-9655 Receptacle As

g03326606

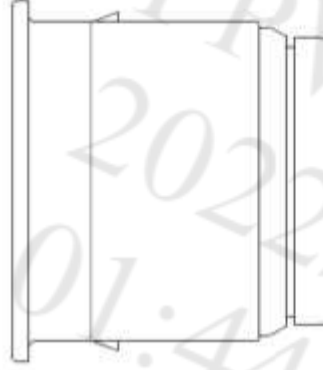


Illustration 212
324-6266 Connector Plug As

g03199578

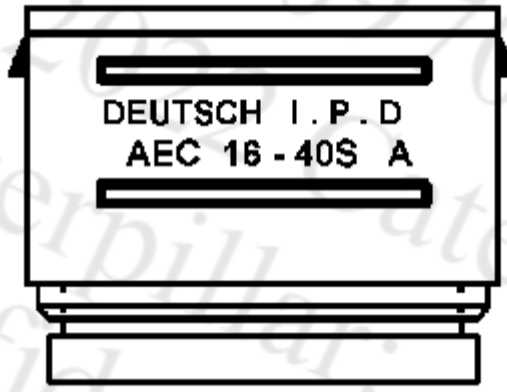
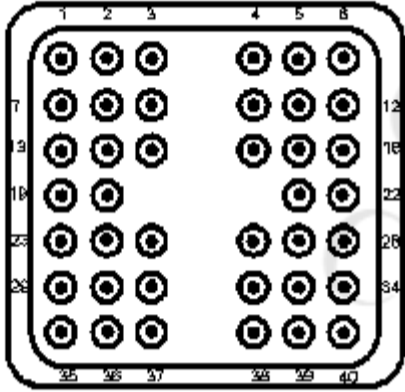


Illustration 213
3E-6286 Connector Plug As

g03199579

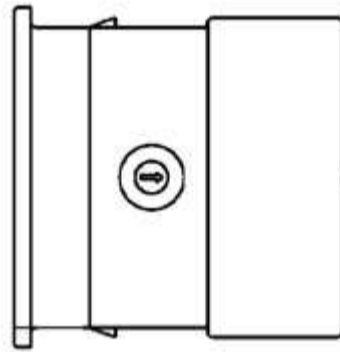
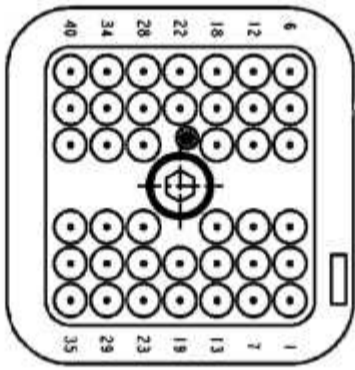


Illustration 214
324-6267 Connector Receptacle As

g03199580

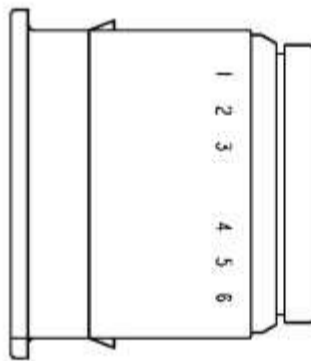
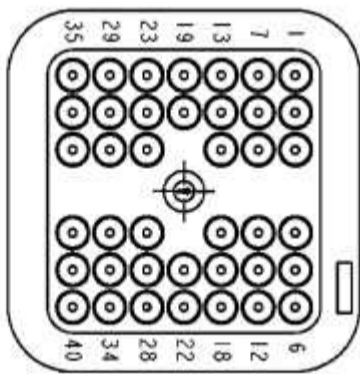
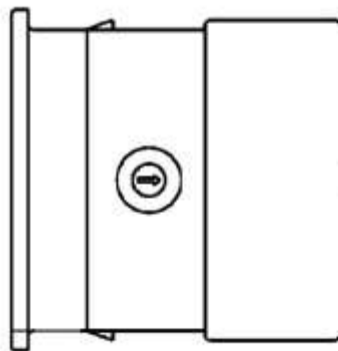
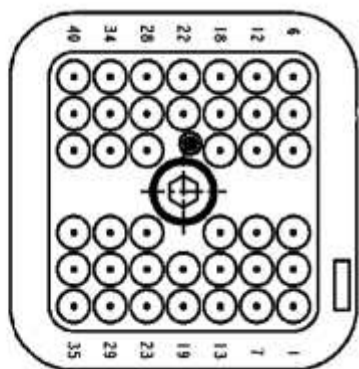


Illustration 215
324-6268 Connector Plug As

g03199581



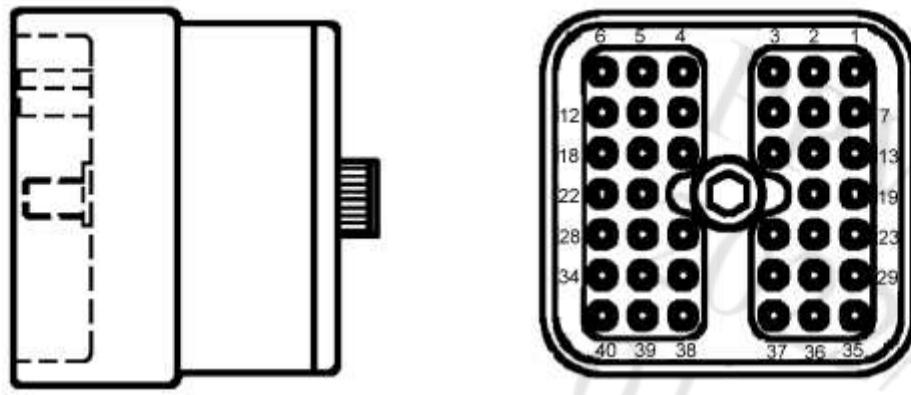


Illustration 217
113-0583 Connector Receptacle As

AEC Replacement Terminals

AEC Replacement Terminals				
Caterpillar Part Number	Caterpillar Part Name	Wire Size (AWG)	Crimp Tool Part Number	Description
133-0967	Connector Pin	16, 18, and 20	1U-5804	Gold Plated
126-1767	Connector Pin (14-GA TO 16-GA)	14	1U-5804	Gold Plated
8T-8729	Connector Pin	16, 18, and 20	1U-5804	Nickel Plated
9W-0852	Connector Pin	14	1U-5804	Nickel Plated
9X-3402	Connector Socket (16-GA TO 18-GA)	16, 18, and 20	1U-5804	Gold Plated
126-1768	Connector Socket (14-GA TO 16-GA)	14	1U-5804	Gold Plated
133-0969	Socket Connector	16, 18, and 20	1U-5804	Gold Plated
8T-8730	Connector Socket	16, 18, and 20	1U-5804	Nickel Plated
9W-0844	Connector Socket	14	1U-5804	Nickel Plated

Table 54

HD-10 Connectors

HD-10 Connectors				
Caterpillar Part Number	Caterpillar Part Name	Insulation Size (mm ²)	Service Replacement Part Number	Description
9X-4813	Connector Receptacle As	2.54 - 3.81	8T-8731	3-pin Receptacle
8T-8732	Connector Receptacle	2.54 - 3.81	8T-8731	3-pin Receptacle
8T-8731	Connector Plug	2.54 - 3.81	8T-8732	3-pin Plug
3E-5394	Receptacle	2.54 - 3.81	8T-8733	5-pin Receptacle
8T-8734	Connector Receptacle	2.54 - 3.81	8T-8733	5-pin Receptacle
8T-8733	Connector Plug	2.54 - 3.81	8T-8734	5-pin Plug
115-3518	Receptacle	3.4 - 4.31	N/A	6-pin Receptacle
9X-4814	Connector Receptacle As	2.54 - 3.81	N/A	6-pin Receptacle
7T-3272	Connector Receptacle	2.54 - 3.81	N/A	6-pin Receptacle
3E-5225	Plug As	3.4 - 4.31	N/A	6-pin Plug
7X-1873	Plug As	3.4 - 4.31	N/A	6-pin Plug
8C-3654	Connector Plug	2.54 - 3.81	N/A	6-pin Plug
7X-6195	Connector Receptacle	2.54 - 3.81	N/A	9-pin Receptacle
210-8950	Connector Receptacle	2.54 - 3.81	N/A	9-pin Receptacle

325-9568	Connector Receptacle	2.54 - 3.81	157-3584	9-pin Receptacle
9W-1951	Connector Receptacle As (SERVICE)	2.54 - 3.81	N/A	9-pin Receptacle
265-4123	Connector Receptacle As	2.54 - 3.81	8T-8735	9-pin Receptacle
317-3176	Connector Receptacle	1.35 - 3.05	8T-8735	9-pin Receptacle
7X-6217	Connector Receptacle	2.54 - 3.81	N/A	9-pin Receptacle
8T-8736	Connector Receptacle	2.54 - 3.81	N/A	9-pin Receptacle
270-1784	Connector Receptacle As	1.35 - 3.05	180-3399	9-pin Receptacle
245-8027	Receptacle As	1.35 - 3.05	N/A	9-pin Receptacle
9W-0847	Connector Plug	2.54 - 3.81	N/A	9-pin Plug
157-3584	Connector Plug	2.54 - 3.81	N/A	9-pin Plug
8T-8735	Connector Plug	2.54 - 3.81	N/A	9-pin Plug

Table 55

HD-10 Replacement Terminals

HD-10 Replacement Terminals				
Caterpillar Part Number	Caterpillar Part Name	Wire Size (AWG)	Crimp Tool Part Number	Description
133-0967	Connector Pin	20, 18, and 16	1U-5804	Gold Plated
126-1767	Connector Pin (14-GA TO 16-GA)	14	1U-5804	Gold Plated
8T-8729	Connector Pin	20, 18, and 16	1U-5804	Nickel Plated
9W-0852	Connector Pin	14	1U-5804	Nickel Plated
9X-3402	Connector Socket (16-GA TO 18-GA)	20, 18, and 16	1U-5804	Gold Plated
126-1768	Connector Socket (14-GA TO 16-GA)	14	1U-5804	Gold Plated
133-0969	Socket Connector	20, 18, and 16	1U-5804	Gold Plated
8T-8730	Connector Socket	20, 18, and 16	1U-5804	Nickel Plated
9W-0844	Connector Socket	14	1U-5804	Nickel Plated

Table 56

HD-10 Connectors (Model Views)

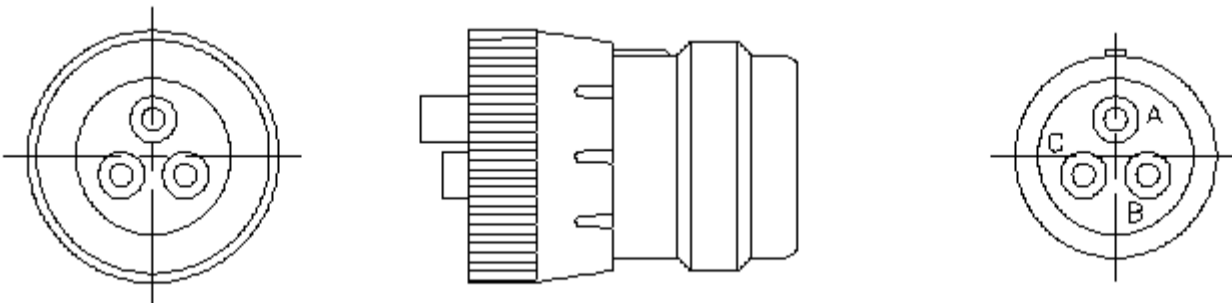


Illustration 218
8T-8731 Connector Plug

g00924281

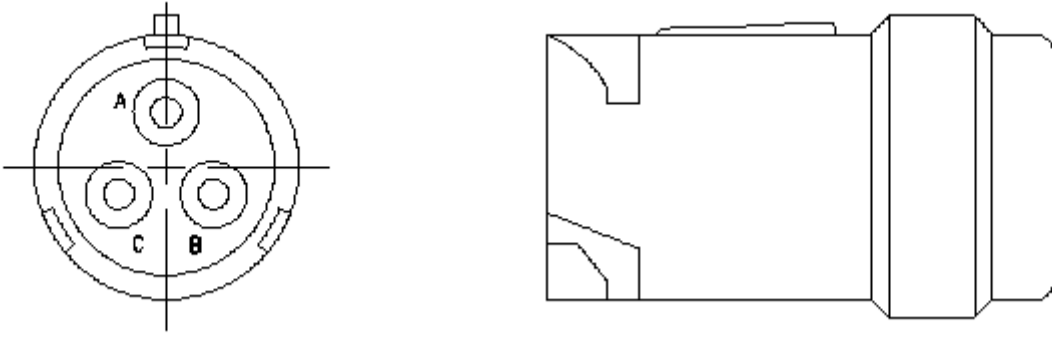


Illustration 219
8T-8732 Connector Receptacle

g00924484

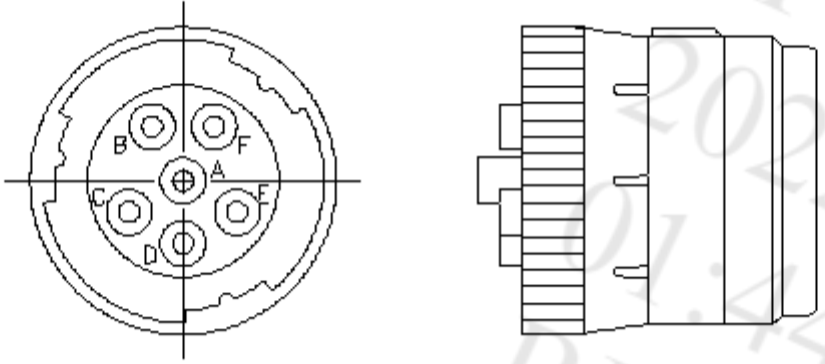


Illustration 220
8C-3654 Connector Plug

g00924327

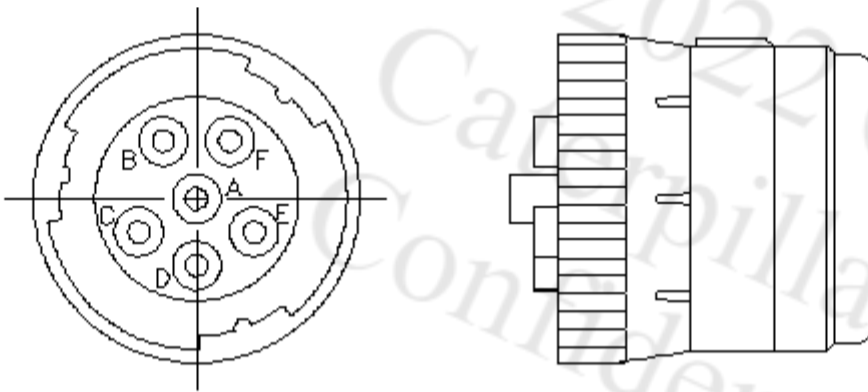


Illustration 221
7X-1873 Plug As

g00924329

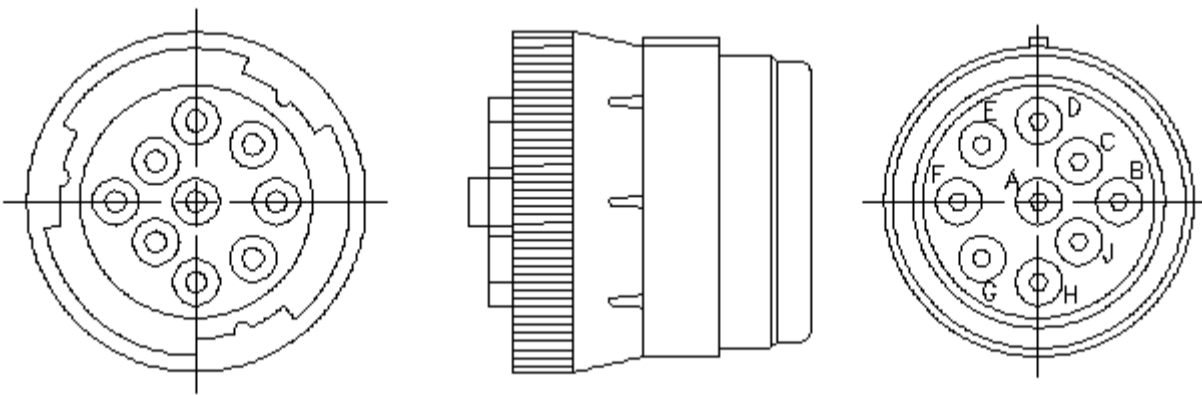


Illustration 222
8T-8735 Connector Plug

g00924341

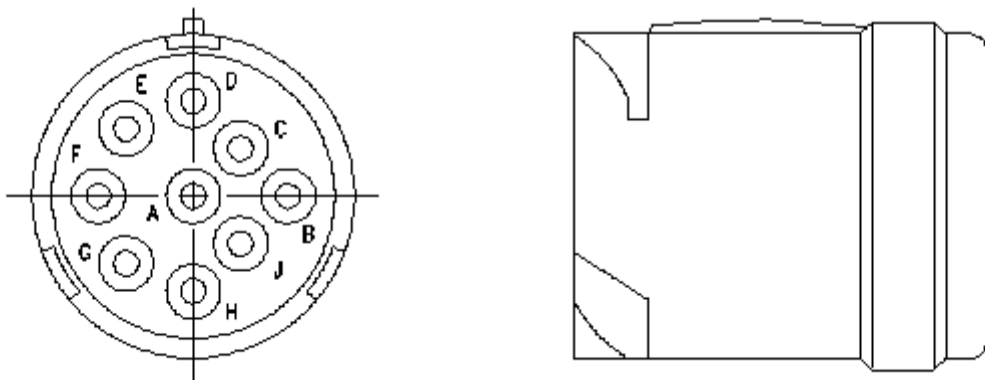


Illustration 223
8T-8736 Connector Receptacle

g00924349

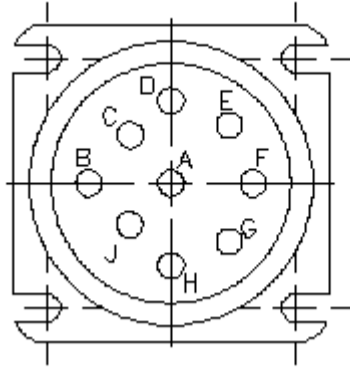
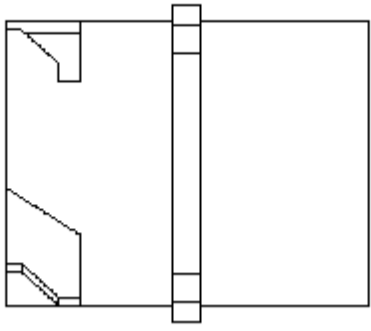


Illustration 224
9W-1951 Connector Receptacle As (SERVICE)

g00924353

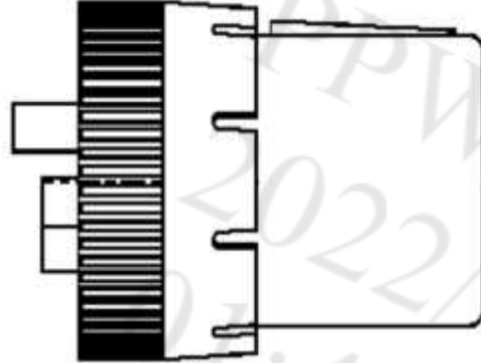
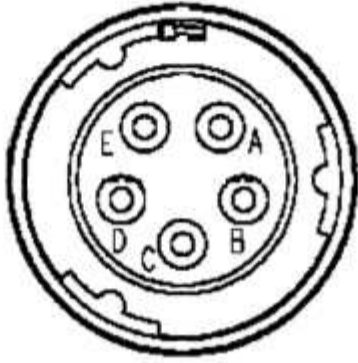


Illustration 225
8T-8733 Connector Plug

g03203536

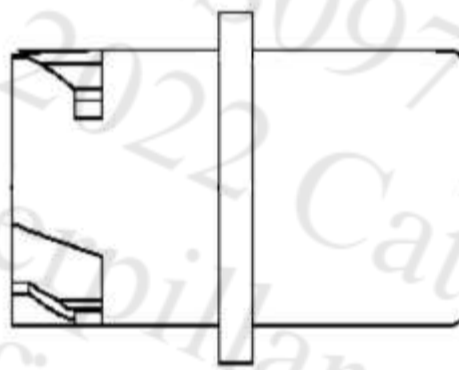
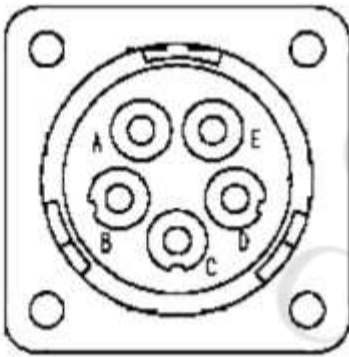


Illustration 226
3E-5394 Receptacle

g03203538

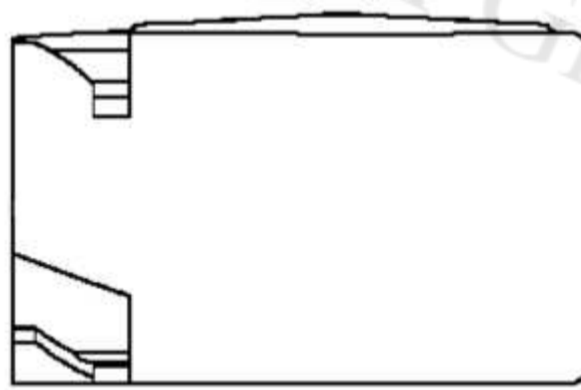
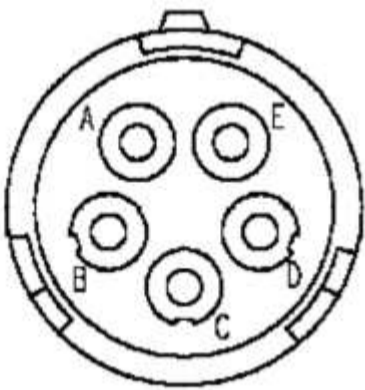
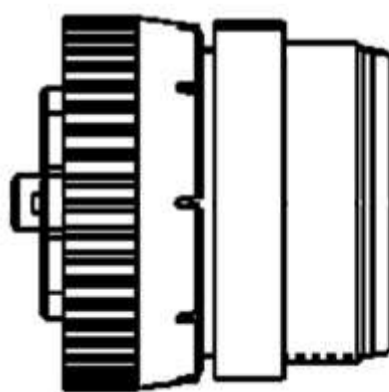
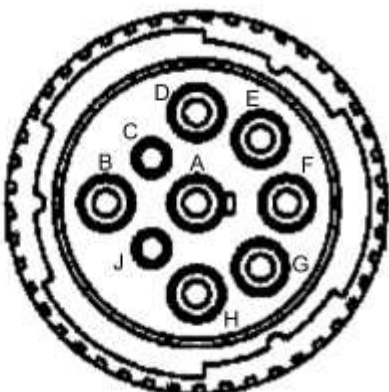
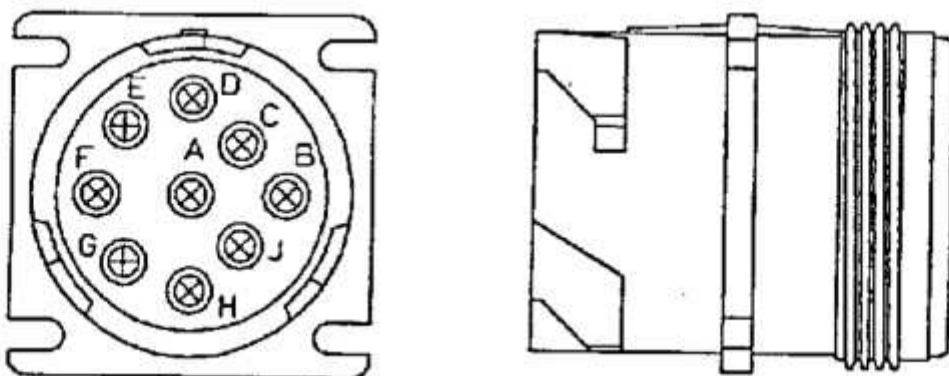
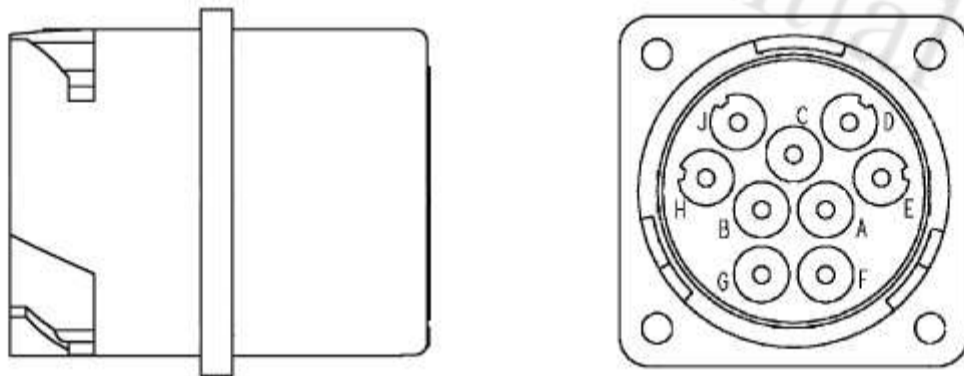
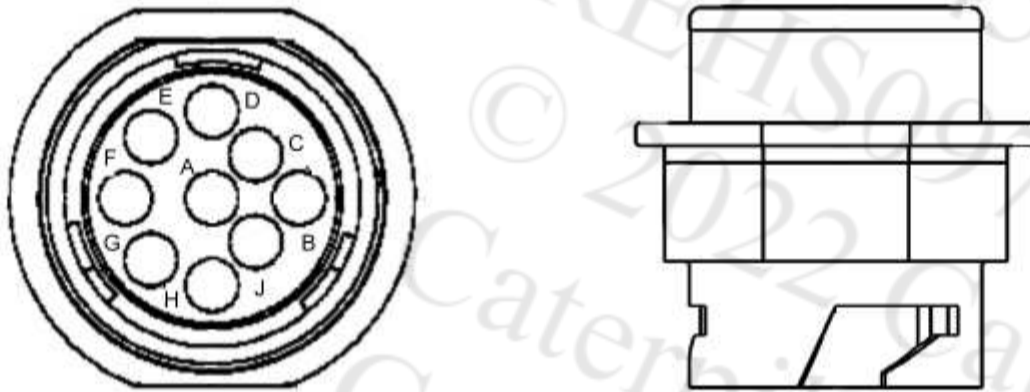
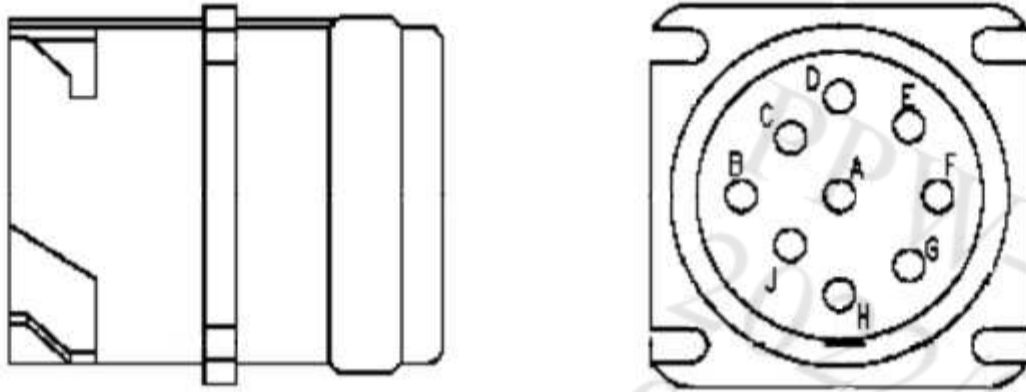
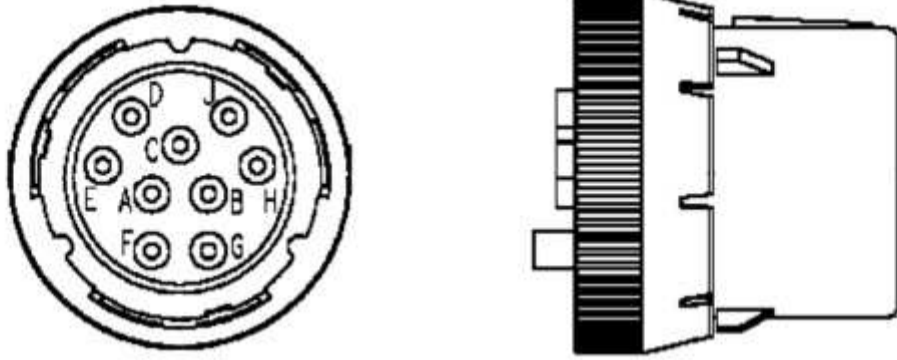
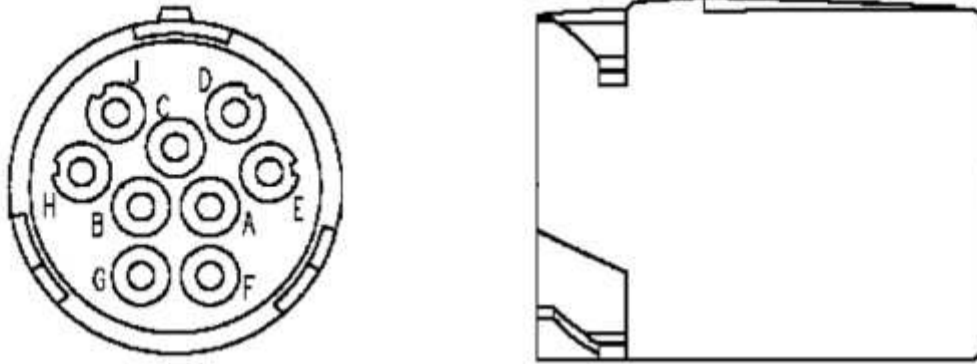


Illustration 227
8T-8734 Connector Receptacle

g03203539





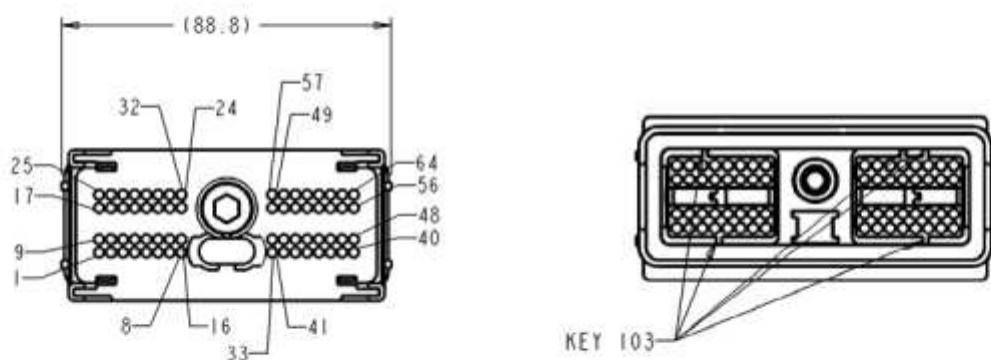
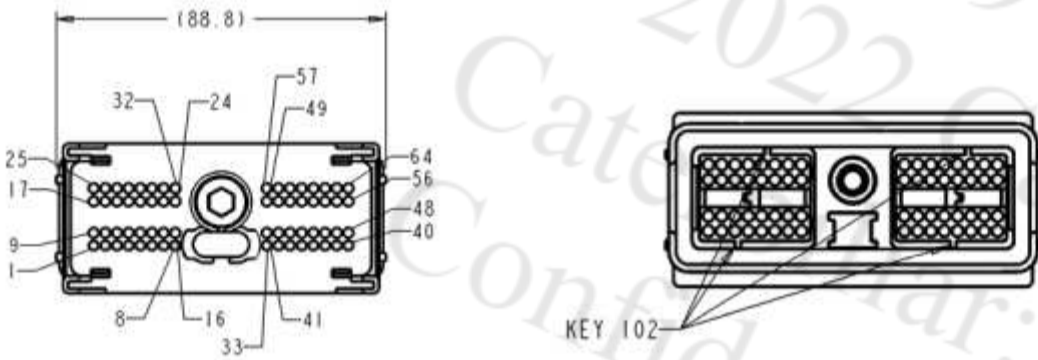


Delphi Packard Electric Systems

Delphi Packard Electric Systems - 150 Series		
Caterpillar Part Number	Caterpillar Part Name	Description
116-6158	Connector Plug As	2 Cavity Black Sealed Connector
276-3731	Receptacle As	2 Cavity Black Sealed Connector
116-6158	Connector Plug As	2 Cavity Light Gray Sealed Connector
124-5641	Connector As	3 Cavity Black Sealed Connector
122-4372	Plug Connector	3 Cavity Black Unsealed Connector

Table 57

Delphi Packard Electric Systems (A4E2) (Model Views)



Delphi Packard Electric Systems - 150 Series Terminals

Delphi Packard Electric Systems - 150 Series Terminals			
Caterpillar Part Number	Caterpillar Part Name	Wire Size (AWG)	Description
100-3317	Terminal Pin	20-18	Tin Plated Sealed Cable OD: 2.78 - 1.69
278-4910		18-16	Tin Plated Terminal Lock and Cable OD: 2.40-2.03
116-6159	Terminal Socket	18-16	Tin Plated Terminal Lock and Cable OD: 2.80-2.03
124-5640	Socket Terminal	18-16	Tin Plated Terminal Lock and Cable OD: 2.80-2.03
092-7557	Terminal	18-16	Tin Plated Terminal Lock and Cable OD: 2.40-1.70
122-4376	Terminal	18-16	Tin Plated Terminal Lock and Cable OD: 2.40-2.03

Table 58

Delphi Packard Electric Systems - 150.2 Series

Delphi Packard Electric Systems - 150.2 Series		
Caterpillar Part Number	Caterpillar Part Name	Description
122-4388	Plug Connector	2 Cavity Black Sealed Connector
217-5887	Connector Plug As	2 Cavity Black Sealed Connector
140-7339	Connector Plug	2 Cavity Blue Unsealed Connector
122-4389	Plug Connector	2 Cavity Medium Gray Sealed Connector
123-1197	Connector Plug As	2 Cavity Medium Gray Unsealed Connector

Table 59

Delphi Packard Electric Systems - 150.2 Series Terminals

Delphi Packard Electric Systems - 150.2 Series Terminals		
Caterpillar Part Number	Caterpillar Part Name	Wire Size (AWG)
118-8430	Terminal Socket	Tin Plated Unsealed Cable OD: 2.40 - 2.03
123-1198	Terminal Socket	Tin Plated Unsealed Cable OD: 2.40 - 2.03

Table 60

Delphi Packard Electric Systems - 56 Series

Delphi Packard Electric Systems - 56 Series		
Caterpillar Part Number	Caterpillar Part Name	Description
192-2111	Connector Plug	3 Cavity Gray Unsealed Connector
033-5776	Connector	4 Cavity Black Unsealed Connector

Table 61

Delphi Packard Electric Systems - 56 Series Terminals

Delphi Packard Electric Systems - 56 Series Terminals			
Caterpillar Part Number	Caterpillar Part Name	Wire Size (AWG)	Description
3E-7790	Blade Terminal	20-18	Tin Plated Terminal Lock and Cable OD: 3.13 - 2.69
005-8673	Terminal	16-14	Tin Plated Terminal Lock and Cable OD: 3.05 - 2.48
065-7187	Terminal	16-14	Unplated Terminal Lock and Cable OD: 3.97 - 3.36
008-3131	Terminal	16-14	Tin Plated Terminal Lock and Cable OD: 3.05 - 2.48
192-2112	Terminal Socket	12	Tin Plated Terminal Lock and Cable OD: 3.65 - 3.49
3E-7998	Blade Terminal	12	Tin Plated Terminal Lock and Cable OD: 3.65 - 3.49
3E-7999	Blade Terminal	10	Tin Plated Terminal Lock and Cable OD: 4.48 - 4.32

Delphi Packard Electric Systems Connector Accessories (A432)

Delphi Packard Electric Systems Connector Accessories (A432)		
Caterpillar Part Number	Caterpillar Part Name	Description
245-1044	Connector Lock	Terminal Lock (TPA)
245-1045	Cover	Connector Endbell
245-1048	Connector Plug	Sealing Plug Number 20
266-1683	Removal Tool	Terminal Removal Tool
267-7207	Special Bolt	Retaining Bolt

Table 63

Terminal-Wire Assemblies for Fuse Blocks



Illustration 237 g03204296
 RFRM (309-9886 Fuse Block As)

To add a fuse to the RFRM product line, refer to Illustration 237 for example. Use **196-2413** Terminal As for 12 AWG or 14 AWG wires, or **196-2412** Terminal As for 16 AWG or 18 AWG wires.

There are two versions of the RTMR family that look identical from the front. However, looking at the wire entry side, one end will always have 60 wire entry holes, and the other has 40 holes or less.

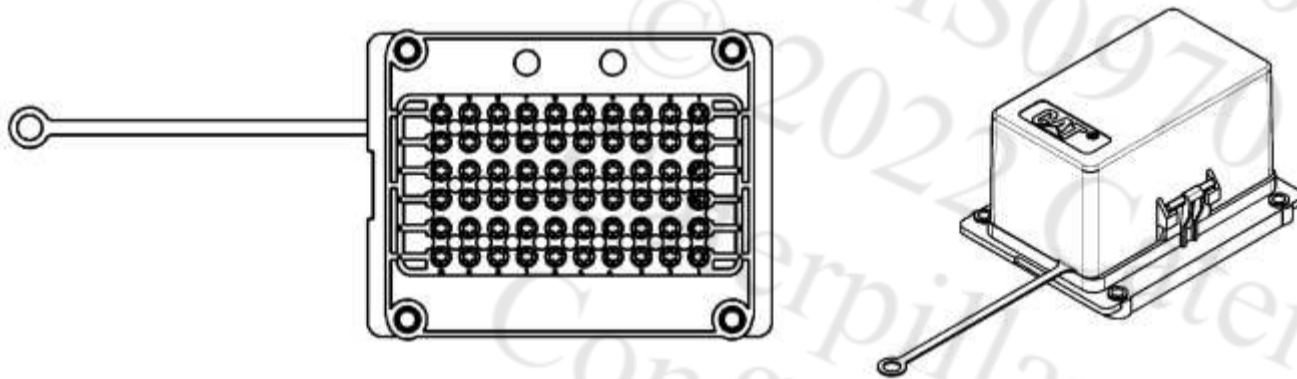


Illustration 238 g03205456
 374-6602 Fuse Block As

For the 60 hole RTMR (refer to Illustration 238 for example), there is no terminal wire assembly for service. The terminals should be obtained, hand crimped and the wire crimp spot soldered for reliability. Use **342-8419** Terminal for 14 to 16 AWG wires along with **342-8982** Wire Seal. Use **342-8441** Terminal for 18 AWG wires and the same **342-8982** Wire Seal.

Illustration 239 g03204297
 RTMR (273-1171 Fuse Block As)

For the 40 or less RTMR variety, refer to Illustration 239 for example. Use **202-0315** Terminal As for 12 AWG wire, use **202-0314** Terminal As for 14 to 16 AWG wire, or **202-0313** Terminal As for 18 AWG wire.

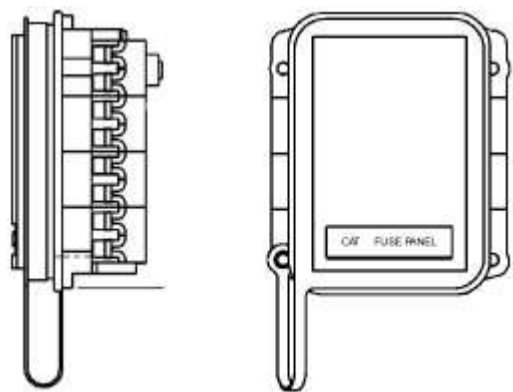


Illustration 240
174-7566 Fuse Block As

g03205517

The RTA product line comes in five sizes. Refer to Illustration 240 of **174-7566** Fuse Block As or **250-9819** Fuse Block As for examples. To add a fuse, use **9W-2033** Blade Terminal for 14 to 16 AWG wire.



Illustration 241
RTA

g03204298

Note: Some fuse blocks are operating near the maximum current requirements and extra loads would not be advised.

Reference: Refer to Special Instruction, REHS7215, "Repair Procedure for Damaged Harness Wiring" for the part numbers of the butt splices, repair tools, and other tools.

C9.3B Engine ECM Connectors

Illustration 242 g06211293

Locations of the components at the Engine ECM

- (1) J2 ECM Connector (harness side)
- (2) J1 ECM Connector (harness side)
- (3) J2 ECM Connector (ECM side)
- (4) J1 ECM Connector (ECM side)
- (5) Engine ECM
- (6) J3 Ethernet Connector (ECM side)
- (7) J3 Ethernet Connector (harness side)

Illustration 243 g06211439
Engine speed timing connector

Deutsch Connector Contacts

Deutsch Connector Contacts		
Caterpillar Part Number	Caterpillar Part Name	Description
369-9941	Connector Receptacle As	86 Pin Receptacle (Key A)
374-8331	Connector Plug As	86-Pin Plug (Key A)
369-9942	Connector Receptacle As	86 Pin Receptacle (Key B)
374-8332	Connector Plug As	86 Pin Plug (Key B)

Table 64

Illustration 244 g06211690
 369-9941 Connector Receptacle As (Key A)
 (8) 12 Size Pin
 (9) 20 Size Pin
 (A) 91.6 mm (3.61 inch)
 (B) 21.0 mm (0.83 inch)
 (C) 24.1 mm (0.95 inch)
 (D) 81.6 mm (3.21 inch)
 (E) 5.0 mm (0.20 inch)
 (F) 23.54 mm (0.927 inch)
 (G) 22.2 mm (0.87 inch)
 (H) 11.0 mm (0.43 inch)
 (J) 13.0 mm (0.51 inch)
 (K) 80.0 mm (3.15 inch)
 (L) 50.0 mm (1.97 inch)
 (M) 70.0 mm (2.76 inch)
 (N) 2.300 mm (0.0906 inch)
 (P) 56.3 mm (2.22 inch)

Illustration 245 g06211736
 374-8331 Connector Plug As (Key A)
 (10) Size 12 cavity
 (11) Size 20 cavity
 (12) Window for tie wrap
 (13) TPA shown in locked position
 (14) Hex. drive
 (Q) 30.4 mm (1.20 inch)
 (R) 19.0 mm (0.75 inch)

Illustration 246 g06211749
 369-9942 Receptacle As (Key B)
 (9) 20 Size Pin
 (A) 91.6 mm (3.61 inch)
 (B) 21.0 mm (0.83 inch)
 (D) 81.6 mm (3.21 inch)
 (E) 5.0 mm (0.20 inch)
 (F) 23.54 mm (0.927 inch)
 (H) 11.0 mm (0.43 inch)
 (J) 13.0 mm (0.51 inch)
 (K) 80.0 mm (3.15 inch)
 (L) 50.0 mm (1.97 inch)
 (M) 70.0 mm (2.76 inch)
 (N) 2.300 mm (0.0906 inch)
 (P) 56.3 mm (2.22 inch)
 (S) 16.2 mm (0.64 inch)

Illustration 247 g06211736
 374-8332 Connector Plug As (Key B)
 (10) Size 12 cavity
 (11) Size 20 cavity
 (12) Window for tie wrap
 (13) TPA shown in locked position
 (14) Hex. drive
 (Q) 30.4 mm (1.20 inch)
 (R) 19.0 mm (0.75 inch)

Deutsch Contacts/Covers		
Caterpillar Part Number	Caterpillar Part Name	Description
7T-0094	Connector Socket	Size 12-18 Nickel Plated Sockets
283-8106	Connector Socket	Size 20 Gold Plated Sockets
358-4099	Connector Socket	Size 16-20 Tin Plated Sockets
394-9569	Connector Socket	Size 16-18 Tin Plated Machined Sockets
358-4104	Connector Cover	Long Side Outlet Cover Connector
393-1993	Connector Cover	Short Side Outlet

Table 65

Deutsch Contacts		
Caterpillar Part Number	Caterpillar Part Number	Description
435-5222	Seal	Seal

435-5221	Special Bolt As	Kit-Bolt
8T-8737	Seal Plug	Plug Seal
169-0705	Seal	Plug Seal

Table 66

MCON/TE Connectivity Speed Timing Connector

MCON/TE Connectivity Speed Timing Connector		
Caterpillar Part Number	Caterpillar Part Name	Description
489-2271	Connector Plug As	3 Pin Speed Timing Connector Plug

Table 67

Illustration 248 g06211754
 489-2271 Connector Plug As (Speed Timing Connector)
 (T) 11.0 mm (0.43 inch)
 (U) 14.8 mm (0.58 inch)
 (V) 26.50 mm (1.043 inch)
 (W) 19.0 mm (0.75 inch)

MCON/TE/AMP Speed Timing Connector Contacts/Accessories		
Caterpillar Part Number	Caterpillar Part Name	Description
369-3774	Connector Seal	Seal
463-5533	Connector Socket	Size 18-20 Sockets Tin Plated
463-5534	Connector Socket	Size 18-20 Sockets Gold Plated
441-4825	Terminal	Size 16-18 Sockets Silver Plated Copper Alloy
369-3773	Connector Socket	Size 16-18 Sockets Silver Plated

Table 68

MCON 1.2 Connectors (Locking Lance Contacts)

MCON 1.2 Connectors (Locking Lance Contacts)				
Caterpillar Part Number	Caterpillar Part Name	Service Replacement Part Number	Insulation Size (mm ²)	Description
463-5456	Connector Plug As	561-8416	1.9 - 2.4	2-pin Plug
489-2271	Connector Plug As	536-7943	1.4 - 1.9	3-pin Plug
511-2135	Connector Plug As	536-7944	1.4 - 1.9	4-pin Plug
449-3141	Receptacle As	550-0160	1.4 - 1.9	5-pin Plug
541-7582	Connector Plug As	541-7583	1.4 - 2.4	5-pin Plug
521-4683	Connector Receptacle As	511-2135	1.9 - 2.4	4-pin Receptacle
511-0731	Connector Receptacle As	449-3141	1.4 - 1.9	5-pin Receptacle

Table 69

MCON 1.2 Connector Contacts/Accessories

MCON 1.2 Connector Contacts/Accessories			
Caterpillar Part Number	Caterpillar Part Name	Wire Size (AWG)	Description
463-5533	Connector Socket	18-20	Tin Plated Socket
506-9132	Connector Socket	14-16	Tin Plated Socket
463-5534	Connector Socket	18-20	Gold Plated Socket
511-0732	Connector Pin	18-20	Tin Plated Pin
369-3773	Connector Socket	14-16	Silver Plated Socket
369-3774	Connector Seal	N/A	Wire Seal

Table 70

MCON 1.2 Connectors (Clean Body Contacts)

MCON 1.2 Connectors (Clean Body Contacts)				
Caterpillar Part Number	Caterpillar Part Name	Service Replacement Part Number	Insulation Size (mm ²)	Description
387-0810	Connector Plug As	437-1451	1.9 - 2.4	2-Pin Plug
398-3794	Connector Plug As	N/A	N/A	2-Pin Plug

Table 71

MCON 1.2 Connector Contacts/Accessories

MCON 1.2 Connector Contacts/Accessories			
Caterpillar Part Number	Caterpillar Part Name	Wire Size (AWG)	Description
387-0812	Connector Socket	16	Silver Plated Socket
398-3793	Connector Socket	16	Tin Plated Socket
387-0811	Connector Seal	N/A	Wire Seal
441-4826	Wire Seal	16-18	Wire Seal
369-3774	Connector Seal	N/A	Wire Seal

Table 72

Bosch Injector Rail/Fuel Pump Connectors

Bosch Injector Rail/Fuel Pump Connectors				
Caterpillar Part Number	Caterpillar Part Name	Service Replacement Part Number	Insulation Size (mm ²)	Description
536-7946	Connector Plug As	368-4828	40	2-Pin Bosch Fuel Pump Plug

Table 73

Illustration 249 g06651495
536-7946 Connector Plug As (Bosch Fuel Pump Connector)

Bosch Connector Contacts/Accessories			
Caterpillar Part Number	Caterpillar Part Name	Insulation Size (mm ²)	Description
368-4831	Connector Socket	1.2 - 2.1	Size 17-20 Tin Plated Socket
372-6382	Connector Socket	1.2 - 2.1	Size 17-20 Gold Plated Sockets
185-1860	Wire Seal	1.2 - 2.1	Seal

Table 74

PPW-0000833F
2022/03/01
01:37:59-05:00
i01454827
© 2022 Caterpillar Inc.
Caterpillar:
Confidential Green

PPW-0000833F
2022/03/01
01:44:...