



SEMI-AUTOMATIC CASE ERECTOR/ PACK STATION

CE-563 Innovative Design!

- Folds the minor and major flaps and holds the case steady while packing.
- Adjustable leg supports.
- Improve safety by eliminating costly repetitive strain injury problems.
- Improve productivity and eliminate extra labor.
- Advances cases after packing.
- Can be attached to any top and bottom sealer!

Visit www.absealer.com, click on Case Erectors and see for yourself how easy the CE-563 is to operate!

Case Sizes:

Length: 7" min. - 23.5" max

Width: 7" min. - 17" max

Height: 4" min. - no maximum

90 PSI Air

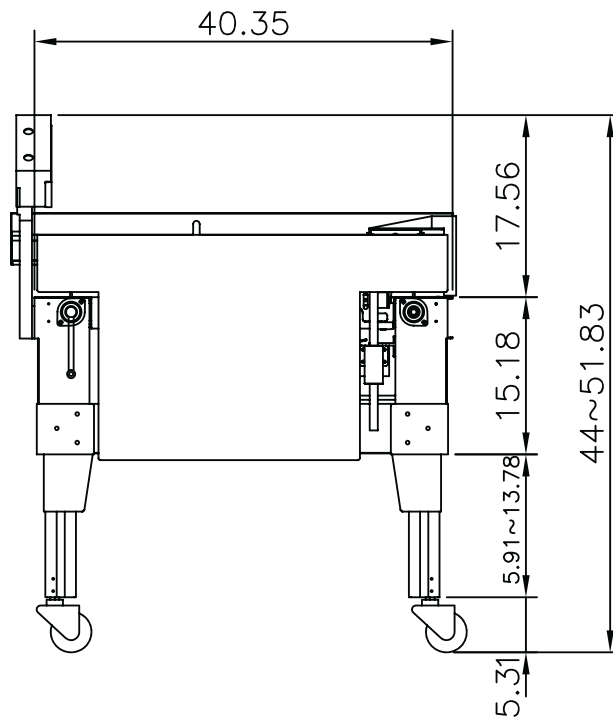
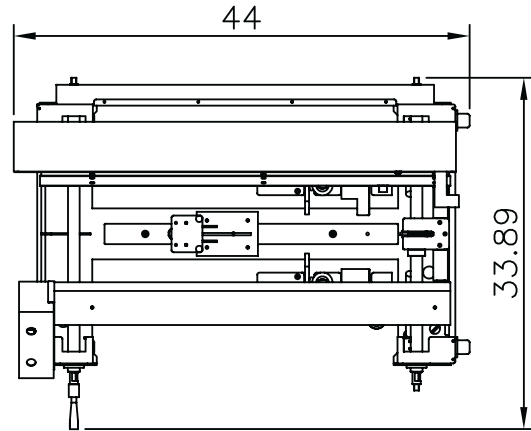
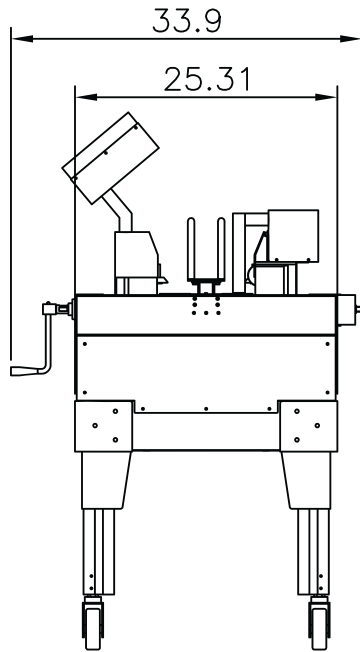
No Electrical Needed



P.O. Box 635 • N7212 FARWELL ROAD • BEAVER DAM, WI 53916

PHONE: 920-885-9299 • FAX: 920-885-0288 • SALES@ABSEALER.COM • WWW.ABSEALER.COM

CE-563 SEMI-AUTO CASE ERECTOR/ PACK STATION



P.O. Box 635 • N7212 FARWELL ROAD • BEAVER DAM, WI 53916
PHONE: 920-885-9299 • FAX: 920-885-0288
SALES@ABSEALER.COM • WWW.ABSEALER.COM