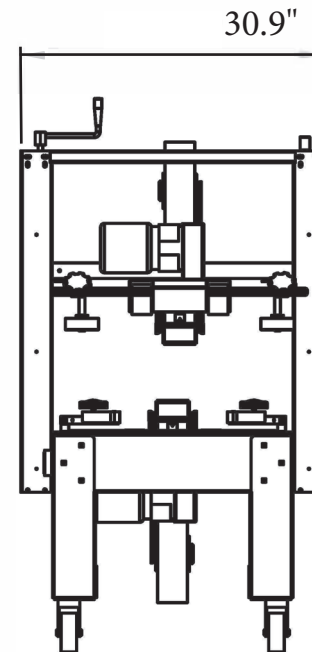
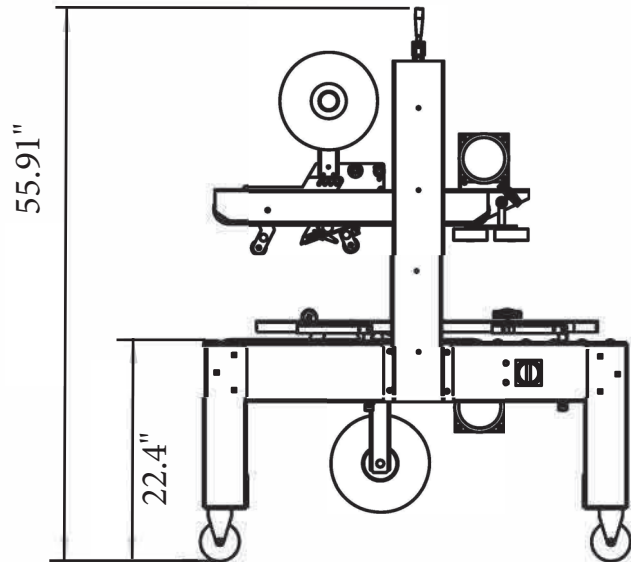


- TOP & BOTTOM DRIVEN CARTON SEALER
- MACHINE SIZE (L x W x H) : 43.5" x 30.9" x 55.91"
- WORKING TABLE HEIGHT : 22.44" ~ 30.31"
- 2" CARTON SIZE :
L = 5.9" ~ ∞ 、 W = 7.08" ~ 19.68" 、 H = 4.3" ~ 19.68"
- 3" CARTON SIZE :
L = 5.9" ~ ∞ 、 W = 7.08" ~ 19.68" 、 H = 4.3" ~ 19.68"
- CAPACITY : UP TO 40 CARTONS / MIN



DRAW	LIJU	DATA	980525	UNIT	INCH	A.B. SEALER, INC.	MODEL	TB-652	DRAWING NO.	
------	------	------	--------	------	------	-------------------	-------	--------	-------------	--