



Effortlessly Plug & Lock

A REVOLUTIONARY TWO-IN-ONE ROTARY SWITCH POWER OUTLET
革新的な二合一回転スイッチ付きコンセント

"Innovation in Rotation, Locking Safety"

The Elevon patented 2-in-1 switch and socket effectively prevents issues such as poor contact, sparks, and looseness, providing a stable and safe power experience. Suitable for various professional environments such as offices, factories, and server rooms, Elevon is the optimal choice for secure electrical connections.

"SERENDIPITY IN LIFE SPARKS INSPIRATION, AND AN UNYIELDING SPIRIT TURNS IT INTO REALITY."

On a spring evening in 2018, my wife was carrying our child while doing housework. As she attempted to unplug a power cord, it wouldn't come out easily, causing her to lose balance and nearly injure our child. This moment sparked the idea of designing a plug that can be easily removed with one hand.

As I delved deeper into research, I discovered that many household plugs tend to loosen after prolonged use. This led me to develop a solution—a plug that is both easy to remove and firmly secured. By September of the same year, I established the Zhun Hao Ba extension cord brand. In February 2019, we completed our first functional prototype, successfully realizing our vision.

Later, in November 2019, we launched the first-generation ELEVON through crowdfunding on Zeczec, raising 74,194 USD in support. Thanks to thousands of backers, we were able to share our design philosophy with the world. Their support strengthened our confidence in Zhun Hao Ba's mission, inspiring us to develop even better versions to meet the expectations of our growing community.

"AS DYSON'S CEO ONCE SAID, THE SECRET TO SUCCESS LIES IN IMAGINATION AND EXPERIENCE. HOWEVER, THE GREATEST OBSTACLE TO IMAGINATION IS EXPERIENCE ITSELF."

We are not a long-established company. We have no inherited techniques, only a relentless pursuit of innovation. When faced with challenges, we roll up our sleeves, explore through trial and error, and build our own experiences step by step. That is why we deeply cherish every small achievement we create with our own hands.

Our team comes from a background in product design, focusing on user experience while integrating technology, mechanics, and materials to solve product challenges. The average age of our team members is around 30, and we have no powerful backers or wealthy sponsors—only young individuals driven by passion and a vision for the future.

We believe there are no shortcuts in building a brand. The only path forward is to continuously cultivate, perfect our products, and provide the best possible service.

Written by ELEVON WAYNE

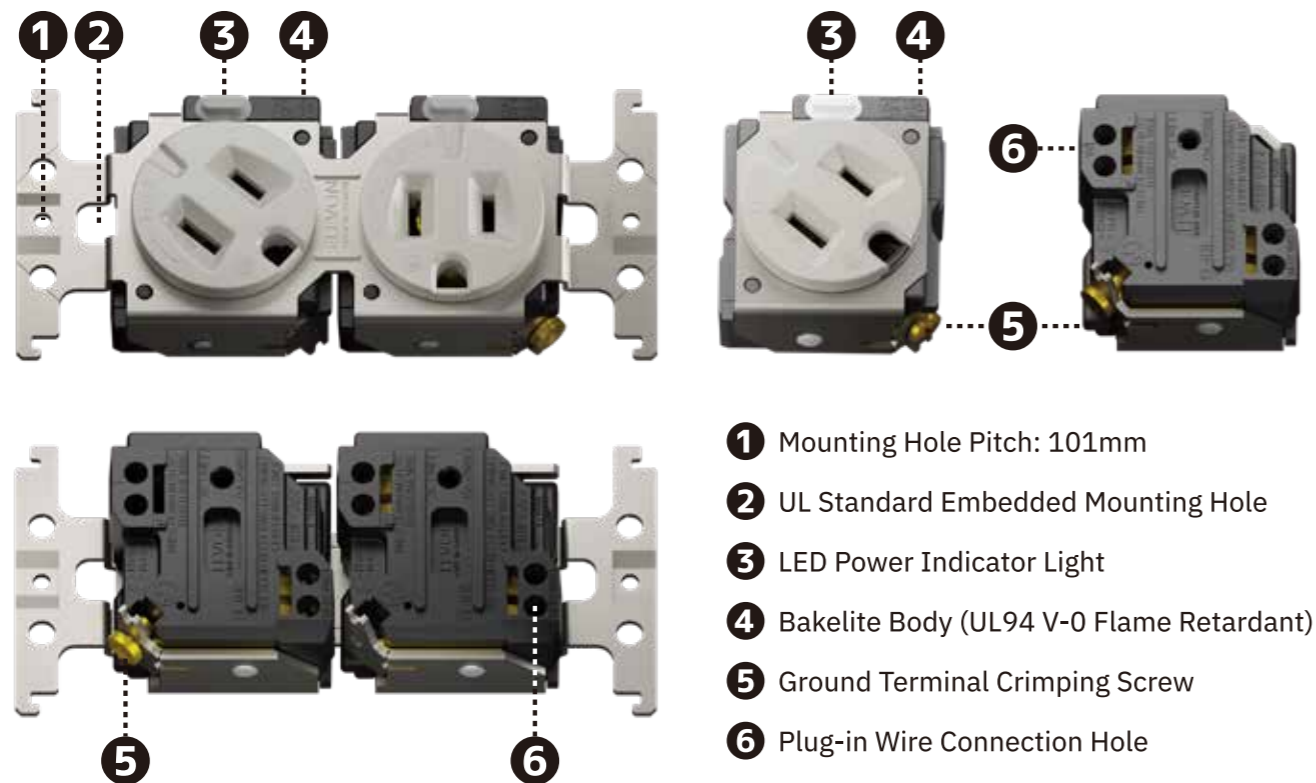


- BRAND ORIGINS 1
- PRODUCT FEATURES 2
- PRODUCT SPECIFICATIONS..... 4
- WALL OUTLET SERIES 6
- EXTENSION CORDS SERIES 8

ELEVON 2-IN-1 POWER SWITCH OUTLET / LOCKING FUNCTION



PARTS OVERVIEW



- ❶ Mounting Hole Pitch: 101mm
- ❷ UL Standard Embedded Mounting Hole
- ❸ LED Power Indicator Light
- ❹ Bakelite Body (UL94 V-0 Flame Retardant)
- ❺ Ground Terminal Crimping Screw
- ❻ Plug-in Wire Connection Hole

FEATURES AND FUNCTIONS

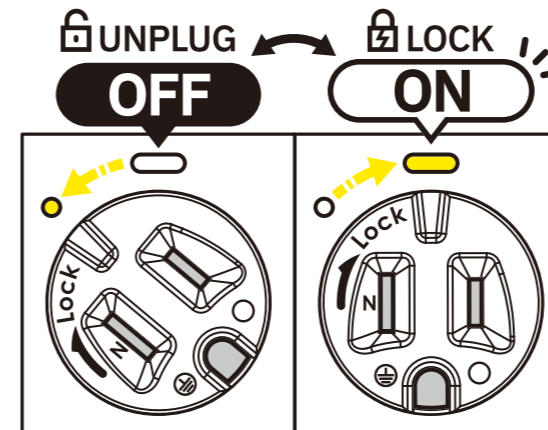


A NEW POWER SOLUTION! SAFE, DURABLE, AND EASY FOR ALL APPLICATIONS.

When powered on, the plug is securely locked, and when powered off, it can be smoothly unplugged!

1. **Built-in Independent Switch:** Smooth power switching.
2. **Power Indicator:** Easy to see power status.
3. **Standard Flat Blade Compatibility:** Fits a wide range of devices.
4. **Large Conduction Area:** Reduces heat buildup, enhances safety.
5. **Terminal Locking Structure:** Ensures secure and reliable connection.
6. **Modular Design:** Supports various products, shortens development time.
7. **Plug Lock When ON (45N Fixation):** Prevents accidental disconnection.
8. **Smooth Plug Release When OFF:** Ensures full power-off and easy removal.
9. **20,000+ Durability:** Designed for long-term stable use.
10. **Non-Contact Switch Design:** No contact wear, extended lifespan.
11. **Space-Saving Design:** Integrated switch and outlet for efficiency.
12. **High-Grade Flame-Resistant Material:** Fireproof design for safety.

OPERATING INSTRUCTIONS



HOLD THE PLUG, INSERT IT INTO THE SOCKET, AND ROTATE TO SWITCH THE POWER.

- LOCK/POWER ON**
Turn clockwise until the indicator light turns on. The plug locks securely and will not come loose.
- UNLOCK/POWER OFF**
Turn counterclockwise to align with the mark. The power shuts off completely, allowing smooth one-handed removal.

製品仕様表

Rating		Safety Certification	Socket Pattern	Catalog	NEMA Plug form	LED Power Indicator	Wire Gauge <small>Limited to Single-Core Wire</small>	Weight (Gram)	Dimension (mm)			Note	
Voltage & Current	Poles & Wires								White/Black	A	B		L
15A/125V Max 1875W 50~60Hz	2P, 2W	 PSE BSMI RoHS CNS 15767		EL02-2S	NEMA 1-15P	Cool White Light (5000k)	12 AWG (2.05mm)	46g	42.8	27.5	The smallest switch socket.		
	2P, 3W GND			EL02-3S	NEMA 5-15P			48g	—	—			
	2P, 2W			EL02-2S with FSQ50	NEMA 1-15P			52g	50	50		Suitable for 50 mm ² embedded cabinets.	
	2P, 3W GND			EL02-3S with FSQ50	NEMA 5-15P	54g	50	50					
	2P, 2W			 No Indicator Light		EL02-2D	NEMA 1-15P	14 AWG (1.63mm)	92g	43	42.8	27.5	Quick assembly with basic locking points.
	2P, 3W GND				EL02-3D	NEMA 5-15P	97g		—	—	—		
	2P, 2W				EL01-2D	NEMA 1-15P	95g		39	50	27.5	Usable for wall sockets and cabinets.	
	2P, 3W GND			EL01-3D	NEMA 5-15P	100g	—	—	—				

New **Rotate** **2-IN-1 INDEPENDENT SWITCH & SOCKET (LOCKING FUNCTION)**



Two-in-One Module NEMA 5-15P

Multi-Purpose Rotary Switch Power Outlet
High-expandability unit, independent switch, power indicator, plug-in wiring

EL02-3D01 Black Outlet (3P)
EL02-3D02 White Outlet (3P)

Electrical Specifications: AC 15A / 125V, Max 1875W, 60Hz
Product Certifications: Japan PSE, Taiwan CNS, UL498
Power Indicator: 2000K Warm Light, 5000K Daylight
Switch Type: 50° Rotation, Single-Pole Electric Switch

5.0mm² WIRING SPEC



Two-in-One Module NEMA 5-15P For 5.0mm²

Multi-Purpose Rotary Switch Power Outlet
High-expandability unit, independent switch, power indicator, plug-in wiring

EL02-3D03 Red Outlet (3P)

Electrical Specifications: AC 15A / 125V, Max 1875W, 60Hz
Product Certifications: Japan PSE, Taiwan CNS, UL498
Power Indicator: 2000K Warm Light, 5000K Daylight
Switch Type: 50° Rotation, Single-Pole Electric Switch



Two-in-One Module NEMA 1-15P

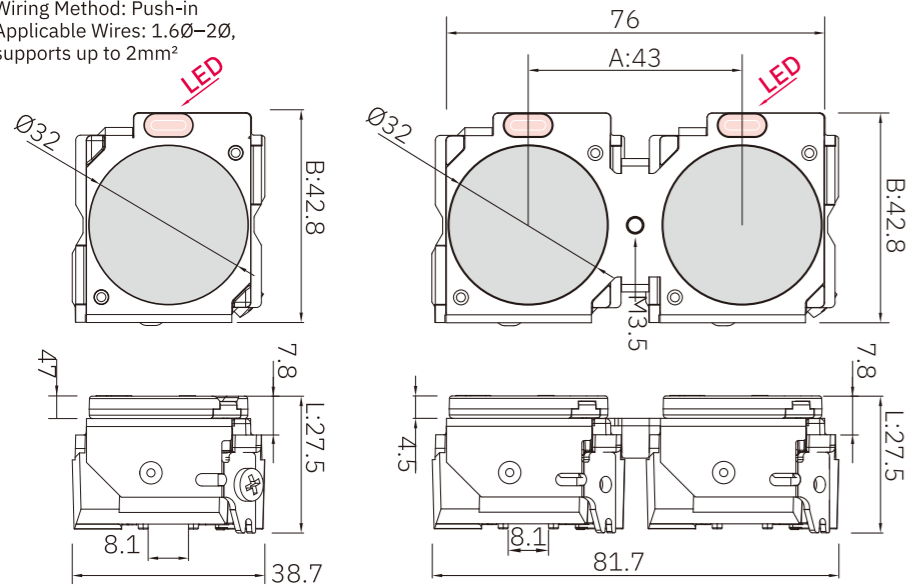
Multi-Purpose Rotary Switch Power Outlet
High-expandability unit, independent switch, power indicator, plug-in wiring

EL02-2D01 Black Outlet (2P)
EL02-2D02 White Outlet (2P)

Electrical Specifications: AC 15A / 125V, Max 1875W, 60Hz
Product Certifications: Japan PSE, Taiwan CNS, UL498
Power Indicator: 2000K Warm Light, 5000K Daylight
Switch Type: 50° Rotation, Single-Pole Electric Switch

DIMENSIONS

Wiring Method: Push-in
Applicable Wires: 1.6Ø-2Ø,
supports up to 2mm²



Single Module NEMA 1-15P NEMA 5-15P

Multi-Purpose Rotary Switch Power Outlet
High-expandability unit, independent switch, power indicator, plug-in wiring

EL02-2S01 Black Outlet (2P)
EL02-2S02 White Outlet (2P)
EL02-3S01 Black Outlet (3P)
EL02-3S02 White Outlet (3P)

Electrical Specifications: AC 15A / 125V, Max 1875W, 60Hz
Product Certifications: Japan PSE, Taiwan CNS, UL498
Power Indicator: 2000K Warm Light, 5000K Daylight
Switch Type: 50° Rotation, Single-Pole Electric Switch

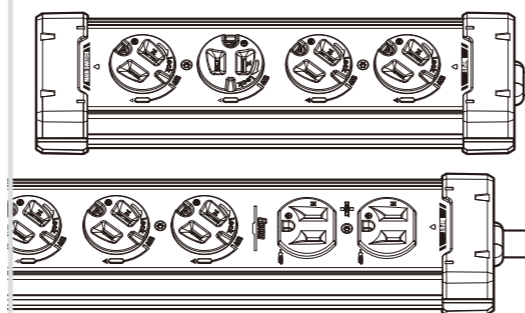
ACCESSORIES



50-Square Fire-Resistant Plastic Frame
Easy to install with an area of 50mm², suitable for use with outlet modules. Features a power indicator and compatible with various devices.

FSQ50W 50mm² Single Unit - White
FSQ50D 50mm² Single Unit - Black

APPLICATIONS



ARK Aluminum Alloy Extension Socket Series
Provides stable output and rapidly dissipates heat for optimal efficiency.
Supports various customization specifications.

ARK4E 4-lock socket
ARK4E2R 4-lock socket + 2 standard sockets
ARK6E2R 6-lock socket + 2 standard sockets
ARK8E4R 8-lock socket + 4 standard sockets

New **Outlet with Switch** **RECESSED LOCKING POWER OUTLET (WITH BRACKET)**



Universal Locking Type NEMA 5-15P

In-wall Rotating Switch Power Outlet (3P)
Independent Switch, Power Indicator, Metal Frame, Push-in Wiring

EL01-3D01 Black Outlet (3P)
EL01-3D02 White Outlet (3P)

Electrical Specifications: AC 15A / 125V, Maximum 1875W, 60Hz
Certifications: Japan PSE, Taiwan CNS, UL498
Power Indicator: 2000K Warm Light, 5000K Daylight
Switch Type: 50° Rotation, Single Pole Electric Switch

5.0mm² WIRING SPEC



Universal Locking Type NEMA 5-15P For 5.0mm²

In-wall Rotating Switch Power Outlet (3P)
Independent Switch, Power Indicator, Metal Frame, Push-in Wiring

EL01-3D03 Red Outlet (3P)

Electrical Specifications: AC 15A / 125V, Maximum 1875W, 60Hz
Certifications: Japan PSE, Taiwan CNS, UL498
Power Indicator: 2000K Warm Light, 5000K Daylight
Switch Type: 50° Rotation, Single Pole Electric Switch



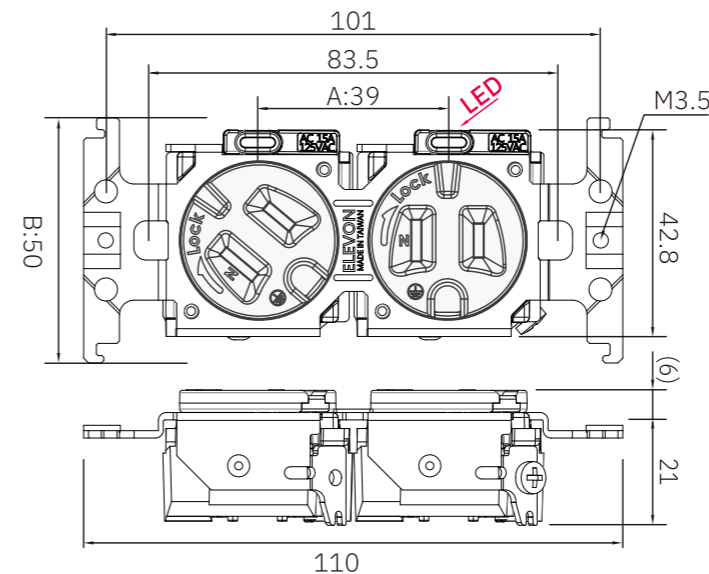
Universal Locking Type NEMA 1-15P

In-wall Rotating Switch Power Outlet (2P)
Independent Switch, Power Indicator, Metal Frame, Push-in Wiring

EL01-2D01 Black Outlet (2P)
EL01-2D02 White Outlet (2P)

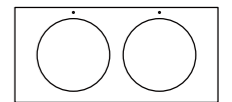
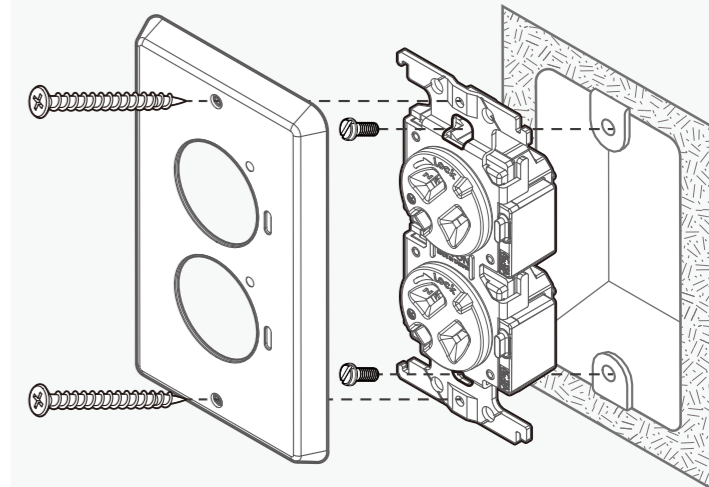
Electrical Specifications: AC 15A / 125V, Maximum 1875W, 60Hz
Certifications: Japan PSE, Taiwan CNS, UL498
Power Indicator: 2000K Warm Light, 5000K Daylight
Switch Type: 50° Rotation, Single Pole Electric Switch

DIMENSIONS

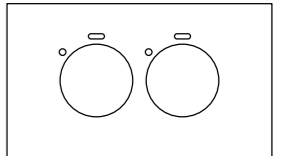


INSTALLATION

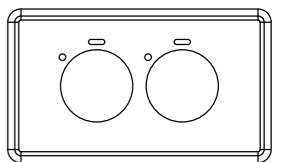
Wiring Method: Push-in
Applicable Wires: 1.6Ø-2Ø, supports up to 2mm²



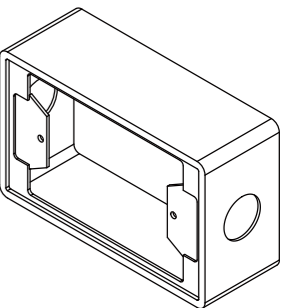
Japanese Standard Plate
Panasonic G Series Compatible
NIPPONG-MB Matte Black
NIPPONG-MW Matte White



Wood Series Plates
Embodying the natural charm of wood.
WOODPT01-RW Rosewood
WOODPT01-BW Black Walnut
WOODPT01-BCH Beech



Metal Series Plates
Industrial-inspired functional design.
METALPT01-SV Frost Silver
METALPT01-BK Matte Carbon Black
METALPT01-WH Ceramic White



120 Aluminum Wiring Box
Quick and safe wiring expansion
AL130-PB-BK Matte Black
AL130-PB-NA Raw Aluminum

Metal

Alloy Steel Wall Plate



Frosted Silver METALPT01-SV

A blend of Japanese minimalism and industrial aesthetics.



Wood

Solid Wood Wall Plate



Beech WOODPT001-BCH

Scandinavian style, with a soft elegance and warmth.



Ceramic White METALPT01-WH

Modern minimalism meets the warmth of Nordic design.



Rosewood WOODPT01-RW

Timeless American classic meets refined Eastern elegance.



Carbon Black METALPT01-BK

Sleek industrial functionality with a contemporary touch.



Black Walnut WOODPT01-BW

Modern luxury with serene sophistication.



Roamer

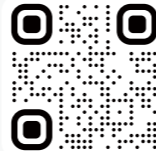
73W GaN Fast Charger

Fast Charging Series - Enhances heat dissipation with aluminum alloy, improving charging efficiency and protecting electrical equipment!



Roamer GXE210 Portable Version Aluminum Alloy Extension Socket
The perfect choice for urban digital roaming.

NT\$ 8,167,163
TAIWAN CROWDFUNDING TOTAL <https://r.zecz.ec/gZck>



Roamer GXE510 Standard Version Aluminum Alloy Extension Socket
Professional-grade, versatile high-speed charging socket.

NT\$ 8,167,163
TAIWAN CROWDFUNDING TOTAL <https://r.zecz.ec/gZck>



Accessories - Steel Hook Holder



Maghook



STEEL HOOK HOLDER

Equipped with adhesive tape on the back, easily attaches to extension cords with magnetic functionality.

MAGHOOK Magnetic Kit

Features non-slip rubber and a powerful magnet. Can be attached to any extension cord hook and securely sticks to metal surfaces. Maximum weight capacity: 5kg.

Power Guard

BeezBeez Power Protection Series

Current Detection Series – Triple Power Protection: Overload Beep Alert, 4-Stage Power Display, Overload Power Cutoff Protection



BB:PRO ARK-EVP6E2R
BeezBeez Extension Cord: PRO
Industrial-grade aluminum alloy, lightning surge protection compliant.

NT\$ 3,361,676
TAIWAN CROWDFUNDING TOTAL <https://r.zecz.ec/7CNU>



Power Guard EVE1130
BeezBeez Extension Cord
Triple Power Protection, Safety Audible Alerts.

NT\$ 5,669,785
TAIWAN CROWDFUNDING TOTAL <https://r.zecz.ec/oFPp>



Basic EVB1015
Classic Easy-Plug Extension Cord
First Generation Locking, Easy Plug and Unplug.

NT\$ 2,293,784
TAIWAN CROWDFUNDING TOTAL <https://r.zecz.ec/e8Xd>

