

Stud Hugger™

FAST, CLEAN DRYWALL INATALLATION



Leaf Spring Edge-Clips

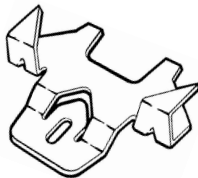
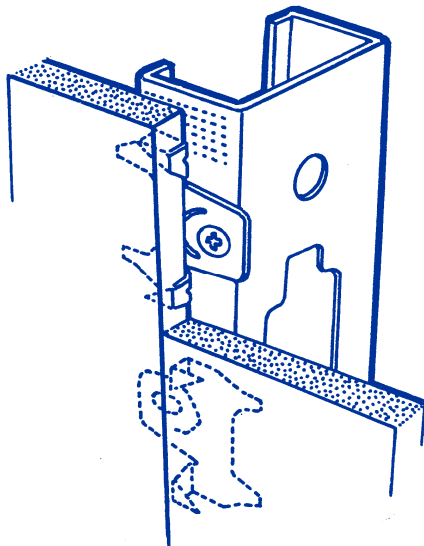
For use on:

DURASAN

TRADEMARK OF THE NATIONAL GYPSUM COMPANY

Vinyl or Unfinished Square-Edge Drywall

Millions of Stud Hugger Clips are now used with plain square-edge board or the assembly of "One-Day" partitions. The system is used in many commercial and industrial drywall installations where move in time and/or price is the major concern. Stud Huggers allow Fast, Clean, One-Day drywall Installation. The walls install without taping, joint compound or sanding. The paint crew follows close behind the hangers (two coats wet on wet) and a beautiful wall is finished in less than One Day. (Margins on these jobs often exceed those of high end jobs)



Stud Hugger Assembly Includes:

- Panels:** Square or Bevel-edge Gypsum or Fiber Wallboard.
Panels Prefinished with Vinyl, Fabric or Metallic Surface.
Plain Paper or Pre-Primed Paper Faced Drywall.
- Framing:** Any size, common Metal or Wood studs or furring.
- Hardware:** Commercial size Edge-Grip clips fastened with **Cymax Ultra-Thin** metal/wood screws.

Stud Hugger installation is **Screw-Gun Fast** and **Tongue & Groove Easy**. Simply drive a few clips into each panel edge, erect and screw one side only. Second panel clips slide behind without fasteners. Installed clips deflect so panels **Hug** the framing under **Spring-tension**. This hardware will never loosen or rattle with door slams or common wall partition abuse.

Cymax

(716) 662-7877

CYMAX SYSTEMS INC • 5370 CHESTNUT RIDGE RD • ORCHARD PARK NY 14127

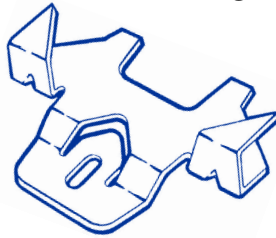
Stud Hugger™ LEAF SPRING EDGE-CLIPS

COMMERCIAL SIZE spring steel hardware, designed by and for the demanding journeyman installers.

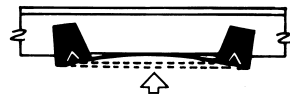
SCREW SLOT allows wallboard panels to automatically correct normal screw run-off. This guarantees **hair-line tight** joints.

LEAF-SPRING FLANGE distorts after installation, causing a **lock-washer** force that retains all panels under tension for **rock solid, rattle-proof walls**.

EXCLUSIVE ADVANTAGES

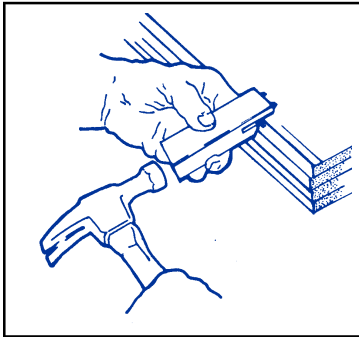


WIDE STANCE distributes holding power and **eliminates** panel fracture.

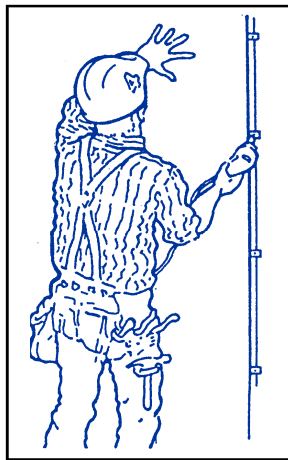


DIVERGENT POINTS make the clips **gull-wing** flat against the panel for perfect registry. All panels position absolutely flat, for **shadow proof** joints.

Simple as 1

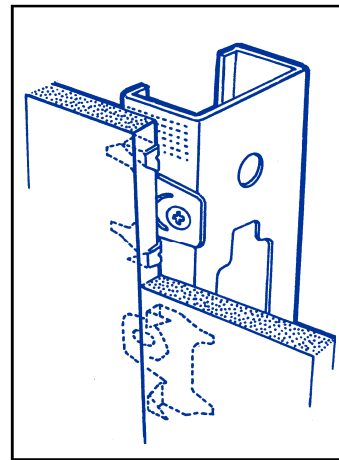


INSERT a few clips into each panel edge with the magnetic tool provided.



ERECT panels and fasten with Ultra-low Clip Screws. (Included with the Clips)

2



SLIDE the next panel clips behind for rock solid tongue & groove joints.

3

© 2013 CYMAX SYSTEMS INC

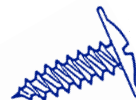


Work Smart
Building Ideas

PACKAGING

Stud Hugger Hardware is packaged 1000 or 250 Clips/Carton, The 1000 Box will install about 100 (4x8) Panels, the 250 Installs 25 Panels.

All Cartons include Cymax **Ultra-Thin Screws**, a Magnetic **Clip Driver** and Instructions.



Cymax