

## SPECIFICATIONS:

### 1. WALLS & PARTITIONS:

- A. **FRAMERS** shall eliminate unnecessary third studs in every corner possible. (Exterior walls shall be free of un-insulated corner boxes.)
- B. **FRAMERS** shall install Cymax **Stud-Claw™** GC-1.5 Corner Backer Springs (About 16" O.C.) wherever drywall panel backing is required.

### 2. JOIST FRAME CEILINGS:

- A. **FRAMERS** shall install Cymax **Stud-Claw™** GC-3.0 Ceiling Backer Springs (About 16" O.C.) wherever drywall ceiling backers are required.
- B. **DRYWALLERS** shall nail or screw all exterior drywall panels to the ceiling and floor plates of the structural outside walls.
- C. **DRYWALLERS** shall **FLOAT** all interior partition corners. (Omit ceiling fasteners within 8" of interior partition corners and omit wall fasteners within 8" of interior ceiling corners. Springs are installed before vapor barrier film)

### 3. TRUSS FRAME CEILINGS:

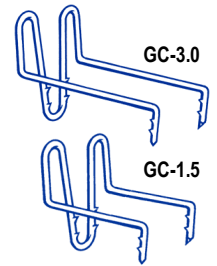
- A. **FRAMERS** shall secure trusses to exterior walls with appropriate framing brackets.
- B. **FRAMERS** shall NOT toe-nail lower truss chords to interior partition plates. (Toe-nailed trusses can lift partition walls off the floor with truss movement.)
- C. **FRAMERS** shall plumb interior partitions and secure to truss chords with Cymax TB-1 **Truss Float-R™** Brackets.
- D. **DRYWALLERS** shall nail or screw all exterior drywall panels to both ceiling and floor plates of the structural outside walls.
- E. **FRAMERS** or **DRYWALLERS** shall install **Stud-Claw™** Ceiling Backers (About 16" O.C.) wherever drywall ceiling backing is required. (Springs must be installed before vapor barrier film)
- F. **FRAMERS** shall install bridging between lower chords (when trusses run parallel to partitions) to accommodate **Truss Float-R™** Brackets.
- G. **DRYWALLERS** shall **FLOAT** all interior partition corners. (Omit ceiling truss chord fasteners within 12"-16" of interior walls and omit wall fasteners within 8" of interior ceiling corners)

May be reprinted if unabridged

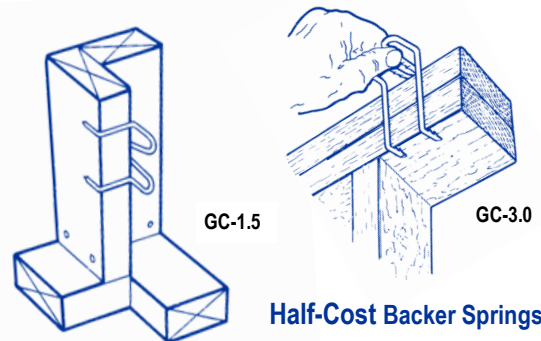
US PAT 4467579 • CAN PAT 1201566

## INSTALLATION:

**1/2** HALF the installed COST of any other BACKERS

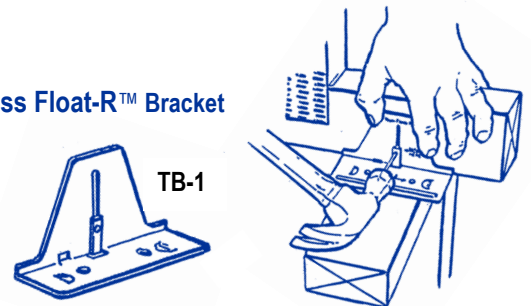


**Stud-Claw 1 1/2" Corner Backer Springs (GC-1.5)** and **3" Ceiling Backer Springs (GC-3.0)** are, by far, the worlds' fastest installing drywall backers. Sharp talons grip the wood without nails or tools. Installation is so simple any apprentice or even the coffee boy can be assigned this important task. No need to slow down your (expensive) skilled trades with nail-on backers.



**2 Stud Corners** with Drywall Backer Clips are recommended and specified by every modern building code and authority. The new specification saves a lot of framing lumber, permits full insulation and greatly reduces drywall corner joint cracks.

Truss Float-R™ Bracket



Cymax **Truss Float-R™** Brackets (TB-1) have a non binding plastic slider that allows trusses to "Float" when common truss-uplift occurs. Walls remain plumb and rigid. Flanges back the ceiling drywall and allow panels to flex when trusses uplift. Ceiling corner cracks are nearly impossible. Cymax **Truss Float-R™** brackets have been proven in over **52 Thousand Homes** without a single drywall ceiling crack reported.

May be reprinted if unabridged.

© 2012 Cymax Systems Inc

