

# WNK808B Micro Differential Pressure Transmitter

## Descriptions

WNK808B intelligent pressure transmitter is assembled with aluminum housing and stress isolation technology. Integrated structure design lead to compact layout. With intelligent compensation technology, it is suitable for wind pressure, wind speed & flow measurement. It is widely used in various industrial fields as well as intelligent building and other construction projects, such as power plant boiler primary air, secondary air measuring, mine ventilation, indoor ventilation, boiler air, pressure of fan, air duct pressure, Metro wind pressure and environment wind pressure test.

It is the best micro pressure measurement equipment for textile machinery, natural gas pipeline monitoring, dust removal system, HVAC, clean laboratory and medical equipment etc.



## Specifications

Pressure range	0-0.2~1000kPa
Power supply	24VDC / 12-30V DC
Stability	< 0.5%FS/RH YEAR

Characteristic	Parameter
Pressure Range	Min $\pm 100$ Pa, Max $\pm 100$ Kpa
Max Overload Pressure	200% of sensor range
Nonlinearity	0.5% FS
Hysteresis/Repeatability%FS	0.2 % FS
Grade of Accuracy%FS	0.5% FS
Overload Pressure	3 ~ 5X
Compensation Temperature:	-10~70°C
Operating Temperature:	-40~85°C
Output options	4~20 mA, 0~5 V DC, 1~5 V DC

Pressure Range	Max Overload Pressure	Static Pressure	Medium
$\leq 5$ kPa (Min. 100 Pa)	200% of sensor range	50 Kpa	Non-conductive or weak corrosive gas, Air
6~100 kPa	200% of sensor range	500 Kpa	
$\pm 100$ kPa	200% of sensor range	1 Mpa	

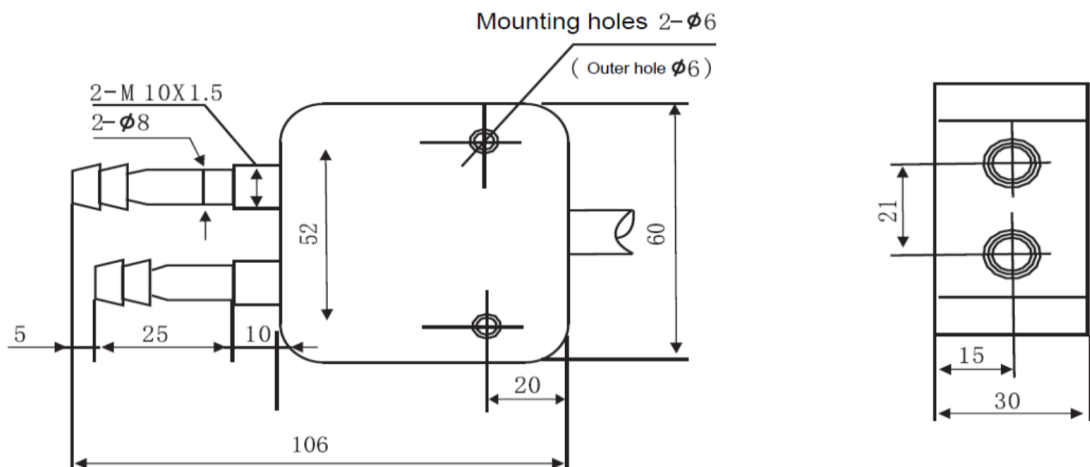
## Structure & Dimensions

### Material:

LY12  
1Cr18Ni9Ti

### Connector:

$\Phi 8$  Pagoda type head  
M20\*1.5



Hefei WNK Smart Technology Co., Ltd.