

# J-38125

## TERMINAL REPAIR KIT INSTRUCTION MANUAL



**SPX** SERVICE SOLUTIONS

# TABLE OF CONTENTS

ITEM .....	PAGE NUMBER
<b>GENERAL INSTRUCTIONS</b>	
Definition Of Terms And Abbreviations .....	2-3
Terminal Removal Instructions .....	4
Terminal Replacement Instructions .....	5-6
Crimp Tools .....	7-9
Ultratorch Usage Instructions .....	10
Visual Standards .....	11-12
Splice Instructions .....	13-15
Splice Crimp Matrix .....	16
Kit Contents, Re-Order Instructions .....	17-18
Tray Labels And Contents .....	19-47
J-38125 Tool Identification .....	48-50
<b>TERMINALS &amp; CONNECTORS</b>	
AFL/EPC .....	51
BOSCH .....	52-56
DELPHI .....	57-75
EMPIRE .....	76
FCI .....	77
JST .....	78-79
KOSTAL .....	80
MOLEX .....	81-82
SUMITOMO .....	83-89
TYCO .....	90-100
YAZAKI .....	101-111
<b>CRIMP MATRIX</b>	
AFL TRAY #21 .....	112
DELPHI TRAY #1 .....	113
DELPHI TRAY #2 .....	114
DELPHI TRAY #3 .....	115
DELPHI TRAY #4 .....	116
DELPHI TRAY #5 .....	117
DELPHI TRAY #8 .....	118
DELPHI TRAY #18 .....	119
DELPHI TRAY #19 .....	120
DELPHI TRAY #20 .....	121
DELPHI TRAY #23 .....	122
DELPHI TRAY #24 .....	123
LEAR TRAY #7 .....	124
LEAR TRAY #16 .....	125
LEAR TRAY #17 .....	126
LEAR TRAY #25 .....	127
LEAR TRAY #28 .....	128
SUMITOMO TRAY #6 .....	129
SUMITOMO TRAY #22 .....	130
SUMITOMO TRAY #26 .....	131
YAZAKI TRAY #9 .....	132
YAZAKI TRAY #10 .....	133
YAZAKI TRAY #11 .....	134
YAZAKI TRAY #12 .....	135
YAZAKI TRAY #13 .....	136
YAZAKI TRAY #14 .....	137
YAZAKI TRAY #15 .....	138
YAZAKI TRAY #27 .....	139

# DEFINITION OF TERMS

<b>Cable</b>	Another term for a bulk length of wire.
<b>Connector</b>	The molded plastic part which houses one or more terminals.
<b>Connector Position Assurance</b>	A lock designed to retain connectors when mated.
<b>Core</b>	Conductive portion of a wire, covered with insulation of various types - usually PVC or polyethylene.
<b>Crimp &amp; Seal Splice Sleeve</b>	A crimp only splice with an integral heat shrink shield used to make a sealed one to one splice.
<b>Lead</b>	Another term for a cut length of wire.
<b>Pick</b>	Removal tool for terminal, TPA, CPA or opening of secondary locks.
<b>Pigtail</b>	Terminated wires housed in a connector intended to be spliced into a harness when total harness replacement is not required.
<b>Secondary Lock</b>	Provides terminal retention in addition to lock tang, usually molded as part of the connector.
<b>Terminal</b>	Formed metal attached to the end of the wire that provides electrical connection.
<b>Terminal Lock Tangs</b>	Flexible portion of the terminal that locks terminal into connector cavity.
<b>Terminal Position Assurance</b>	A loose piece component that snaps on to a connector. It is designed to keep the terminal from backing out of the connector.
<b>Terminal Wings</b>	Portion of terminal that is used for attachment to wire. Typical terminal has core wings, attached to the conductive core of the wire and insulation wings, attached to the outside of the wire for strain relief.

# ABBREVIATIONS

<b>ACT</b>	Advanced Connection Technology, the next generation metri pack having lower terminal to terminal engage force
<b>CPA</b>	Connector Position Assurance lock
<b>MIC/P</b>	Micro Pack, a family of sealed and unsealed connection systems used primarily in low current (signal level) applications
<b>M/P</b>	Metri Pack, a family of sealed and unsealed connection systems of various sizes and current carrying capacities
<b>P2S</b>	Pull to Seat, a connection system where the terminal on a wire is actually inserted into the mating end of the connector, wire first, so that an unseated terminal does not push out the back of the connector and cause an electrical open circuit.
<b>TPA</b>	Terminal Position Assurance lock
<b>W/P</b>	Weather Pack, a family of sealed connection systems utilizing a pin and sleeve configuration

**Acknowledgement:** Technical Information provided courtesy of John Roberts  
*General Motors Service Engineering - Electrical Group, November 2007*



# TERMINAL REMOVAL INSTRUCTIONS

Terminal retention within the connector generally takes two forms:

1. A flexible primary lock, either part of the terminal or part of the connector
2. A hinged or loose piece secondary lock. To remove a terminal, both must be disengaged or removed.

First, locate and remove the secondary lock.

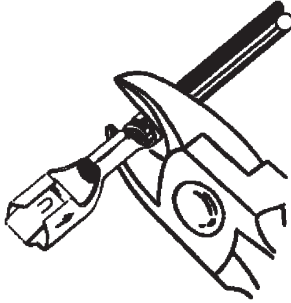
1. Most are located in the rear (non-mating end) of the connector. These can generally be removed using a small screwdriver.
2. The new GT series and 100W micropack styles have the secondary lock on the front (mating) end of the connector. 100W can be removed with a screwdriver, the GT requires the use of pick #15313892. It will allow you to “hook” the secondary lock and gently lift it out of place.

Now remove the terminal by disengaging the primary lock.

1. Determine the terminal part number or family, then get the appropriate removal tool using the crimp matrix section of this book.
2. Locate the area of the front of the connector where the removal tool is to be inserted. It will **NEVER** enter the portion of the terminal where the mating terminal would be located. Inserting the removal tool into this mating area will **RUIN** the terminal.
3. Position the terminal by using the attached wire. For push to seat, slide the terminal forward. For pull to seat, slide it rearward. This allows the lock tang to disengage from the lock shoulder.
4. Terminal locks which are flexible members in the connector are ACT, GT and 100W micropacks. All others have the lock tang as part of the terminal. Using appropriate tool from the matrix, flex the plastic lock member, then gently remove the terminal by pushing or pulling on the wire.
5. For families with the lock tang on the terminal, gently insert the removal tool and disengage the lock while holding the terminal in the position from step #3. The terminal can be removed by pushing or pulling on the wire.

# STANDARD TERMINAL REPLACEMENT

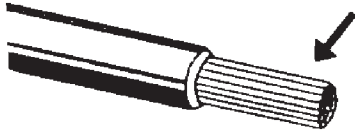
1



CUT OFF TERMINAL BETWEEN CORE AND INSULATION CRIMP.

(MINIMIZE WIRE LENGTH LOSS)

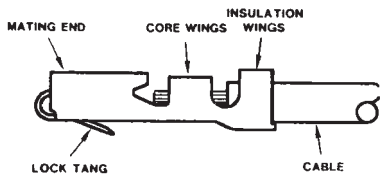
2



STRIP INSULATION APPROPRIATE TO THE TERMINAL BEING CRIMPED.

**USE CAUTION WHEN STRIPPING INSULATION BEING CAREFUL NOT TO CUT THROUGH THE WIRE STRANDS.**

3



POSITION WIRE IN TERMINAL AS SHOWN. CAUTION MUST BE USED NOT TO POSITION STRIP TOO FAR FORWARD. IT MAY INTERFERE WITH MATING PORTION OF TERMINAL.

4



HAND CRIMP CORE WINGS FIRST, THEN INSULATION WINGS USING ONE OF THE APPROVED CRIMPING TOOLS. USE CRIMP MATRIX SECTION TO DETERMINE CORRECT TOOL COMBINATION.

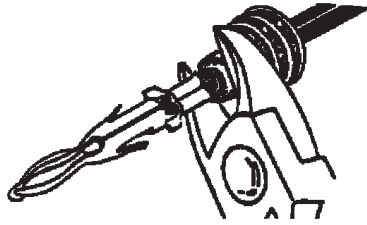
5



**DO NOT SOLDER SMALL 100 AND .64 TERMINALS AS SOLDERING WILL DESTROY THE TERMINAL. USING THE PROPER CRIMP TOOL WILL PROVIDE THE APPROVED REPAIR.**

# TERMINAL REPLACEMENT SEALED WEATHER PACK AND METRI-PACK

1



CUT OFF TERMINAL BETWEEN CORE AND INSULATION CRIMP.

(MINIMIZE WIRE LENGTH LOSS)

REMOVE SEAL

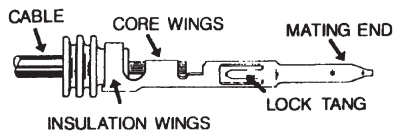
2



APPLY CORRECT SEAL PER GAUGE SIZE OF WIRE. SLIDE BACK TO ENABLE REMOVAL OF INSULATION. STRIP INSULATION APPROPRIATE TO THE TERMINAL BEING CRIMPED. ALIGN SEAL WITH CABLE INSULATION.

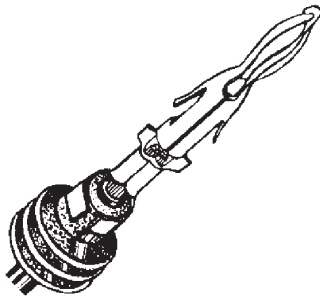
**USE CAUTION WHEN STRIPPING INSULATION BEING CAREFUL NOT TO CUT THROUGH THE WIRE STRANDS.**

3



POSITION STRIP AND SEAL IN TERMINAL AS SHOWN. CAUTION MUST BE USED NOT TO POSITION STRIP TOO FAR FORWARD. IT MAY INTERFERE WITH MATING PORTION OF TERMINAL.

4



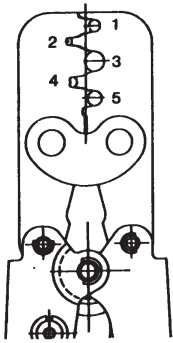
HAND CRIMP CORE WINGS FIRST, THEN INSULATION WINGS USING ONE OF THE APPROVED CRIMPING TOOLS. USE CRIMP MATRIX ON PAGES 45-67 TO DETERMINE CORRECT TOOL COMBINATION.

5

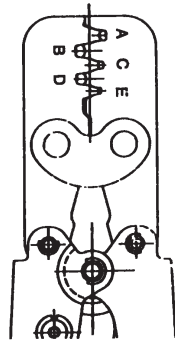


**DO NOT SOLDER TERMINALS AS SOLDERING WILL DESTROY THE TERMINAL. USING THE PROPER CRIMP TOOL WILL PROVIDE THE APPROVED REPAIR.**

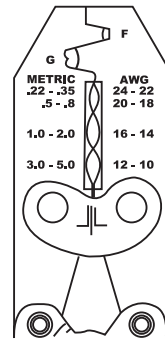
# TERMINAL CRIMP TOOL



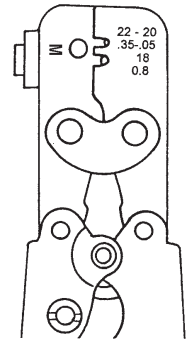
J-38125-6



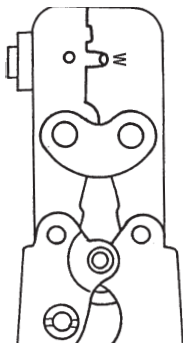
J-38125-7



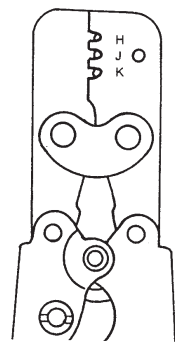
J-38125-8



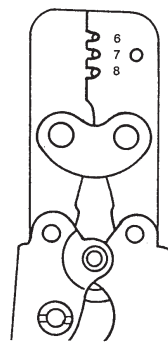
J-38125-64



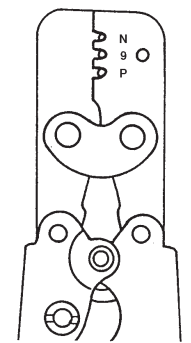
J-38125-101



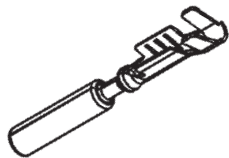
J-38125-641



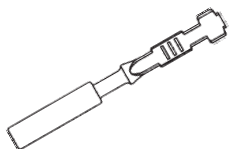
J-38125-642



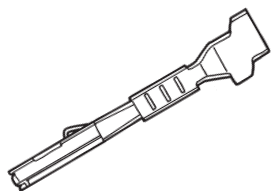
J-38125-643



J-38125-101 is used for Delphi 100W round terminals which use crimp jaw "W" in the crimp matrix.



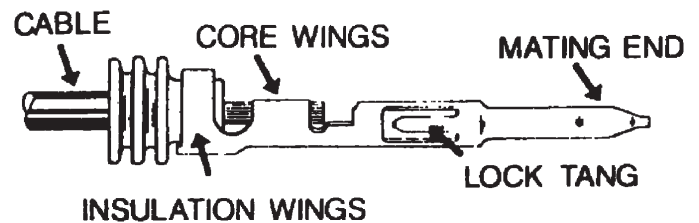
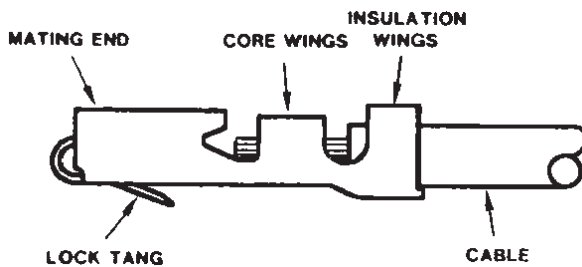
J-38125-64 is used for Delphi .64 round terminals which use crimp jaw "M" in the crimp matrix..



Both J-38125-641 and J-38125-642 are used for .64 square terminals with or without cable seals.

# TERMINAL CRIMP TOOL

1. COMPRESS HANDLES UNTIL RATCHET AUTOMATICALLY OPENS.
2. DETERMINE THE CORRECT HOLDER PER **CRIMP MATRIX SECTION**.
3. **CORE WINGS SHOULD BE CRIMPED FIRST.** LAY THE **BACK OF THE TERMINAL CORE WINGS** ON APPROPRIATE ANVIL. **BE SURE THE CORE WINGS ARE POINTING TOWARDS THE FORMING JAWS.**
4. **GENTLY** APPLY PRESSURE TO HANDLES UNTIL CRIMPERS SLIGHTLY SECURE THE TERMINAL CORE WINGS.
5. INSERT STRIPPED CABLE THROUGH CORE CRIMP WINGS OF TERMINAL AND POSITION PROPERLY.

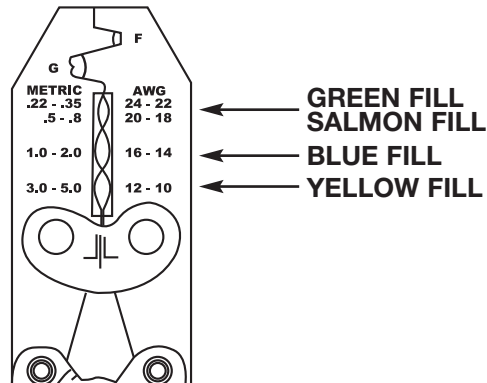


6. COMPRESS HANDLES UNTIL RATCHET AUTOMATICALLY RELEASES.
7. REPEAT STEPS 2 AND 3 FOR INSULATION CRIMP.
8. LOOK AT TERMINAL FOR DAMAGE PRIOR TO APPLYING SOLDER. IF TERMINAL APPEARS BENT AFTER CRIMPING, IT SHOULD BE GENTLY STRAIGHTENED BY HAND.

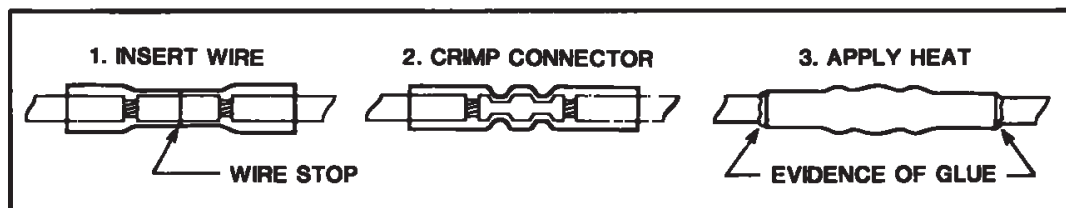


# SPLICE CRIMP TOOL

## J-38125-8 / P/N (F-G) 12085115



1. COMPRESS HANDLES UNTIL RATCHET AUTOMATICALLY OPENS.
2. DETERMINE THE CORRECT SPLICE HOLDER (NEST) PER **SPLICE CRIMP MATRIX** ON PAGE 20.
3. **GENTLY** APPLY PRESSURE TO HANDLES UNTIL CRIMPERS SLIGHTLY SECURE THE SPLICE SLEEVE BARREL. **NOTE: MUST BE CRIMPED IN TWO STAGES - LEFT AND RIGHT.**
4. INSERT STRIPPED CABLE THROUGH SLEEVE BARREL UNTIL **WIRE HITS THE STOP POSITION.**
5. COMPRESS THE HANDLES UNTIL RATCHET AUTOMATICALLY RELEASES.



6. REPEAT STEPS 3, 4 AND 5.
7. GENTLY TUG ON THE WIRES TO MAKE SURE THEY ARE SECURE BEFORE APPLYING HEAT TO SLEEVE.
8. APPLY HEAT FROM CENTER TO OUTSIDE OF SLEEVE WHILE ROTATING THE SLEEVE, TO PREVENT OVER HEATING THE SPLICE SLEEVE OR WIRE INSULATION.

# ULTRATORCH

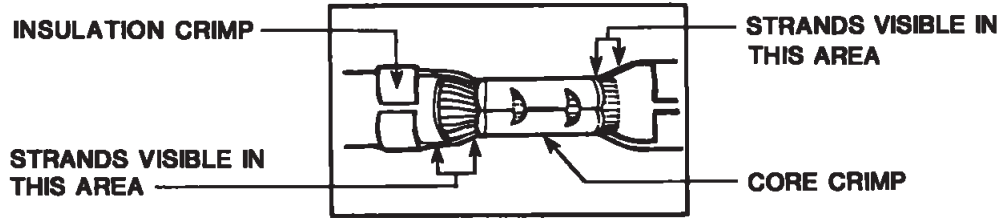
J-38125-5 / P/N 12085116

PLEASE **READ OPERATING INSTRUCTIONS** INCLUDED WITH THE ULTRATORCH. THE FOLLOWING ADDITIONAL INSTRUCTIONS WILL HELP IN MAKING QUALITY APPLICATIONS.

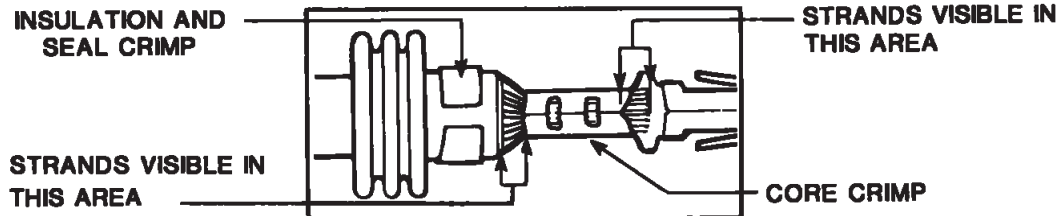
1. USE **CARE** IN REFILLING TORCH.
2. **MAXIMUM SETTING FOR GAS CONTROL LEVER** WHEN APPLYING HEAT TO SPLICE SLEEVES OR TERMINAL APPLICATIONS IS **3 1/2**.
3. **USE CARE IN CONFINED AREAS** SUCH AS ENGINE COMPARTMENT OR NEXT TO ANYTHING THAT CAN EASILY MELT (CARPET, PLASTIC COMPONENTS, ETC.) ADJUST GAS CONTROL LEVER TO APPROXIMATELY **2 TO 2 1/2** SETTING WHEN IN CONFINED AREAS.
4. WHEN USING THE SOLDERING TIP ATTACHMENT, ALLOW APPROXIMATELY **1 MINUTE** FOR TOOL TO HEAT UP. THIS WILL ALLOW THE SOLDER TO FLOW PROPERLY ON THE TERMINAL CORE CRIMP.

# VISUAL STANDARDS

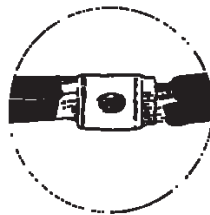
## TERMINAL APPLICATION



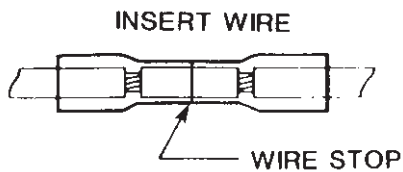
## TERMINAL WITH SEAL APPLICATION



## SPLICE APPLICATION



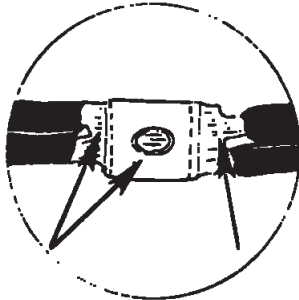
## CRIMP AND SEAL APPLICATION



# VISUAL STANDARDS

## SOLDER APPLICATION

### SPLICE CLIP



GOOD SOLDER APPLICATION

## GLUED HEAT SHRINK APPLICATION

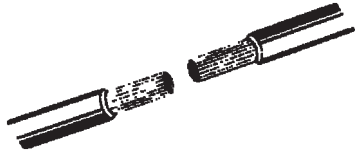
### APPLY HEAT



# SPLICE CLIP

P/N 821240, 05297428, 01839906

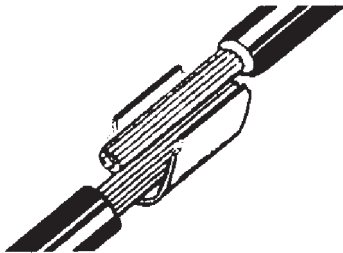
1



CUT OFF CLIP. STRIP INSULATION (1/2" LENGTH).  
(MINIMIZE WIRE LENGTH LOSS)

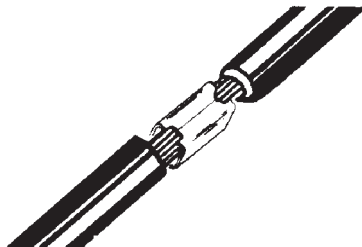
**USE CAUTION WHEN STRIPPING INSULATION  
BEING CAREFUL NOT TO CUT THROUGH THE  
WIRE STRANDS.**

2



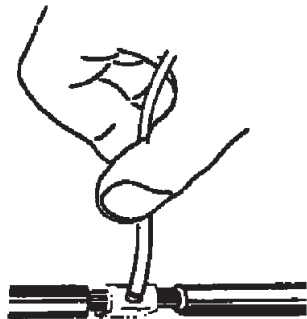
PREFERRED: LOCATE NEW SPLICE 40 MM  
(1.5") MINIMUM FROM AN OUTLET OR ANOTHER  
SPLICE. DETERMINE PROPER SPLICE CLIP  
FOR GAUGE SIZE OF WIRES. POSITION CLIP  
ON STRIPS.

3



SLIDE HEAT SHRINK TUBING OVER WIRE  
TO BE SPLICED. HAND CRIMP TO SECURELY  
CLOSE THE ENTIRE CLIP USING CRIMPERS  
OR PLIERS. (SEE CRIMP MATRIX)

4



**SOLDER SPLICE CLIP**

5



COVER ENTIRE SPLICE WITH HEAT SHRINK  
TUBING. TUBING MUST EXTEND ONTO THE  
INSULATION ON BOTH SIDES OF SPLICE.



# DURASEAL CRIMP SPLICE SLEEVE

THERE ARE NOW FOUR DURASEAL SOLDERLESS SPLICE SLEEVES AVAILABLE FOR WIRE REPAIR. IN 2004 A GREEN SLEEVE WAS ADDED TO ACCOMMODATE 24-22 AWG WIRE SIZES.



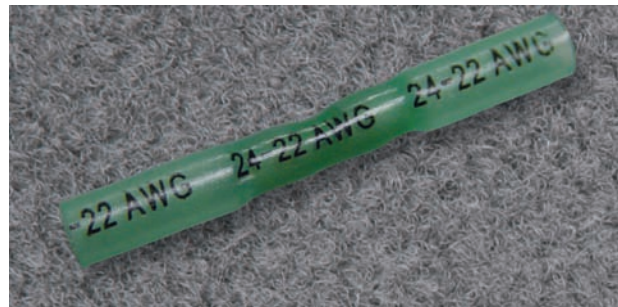
Yellow 12-10 AWG PN 12089191



Blue 16-14 AWG PN 12089190



Salmon 20-18 AWG PN 12089189



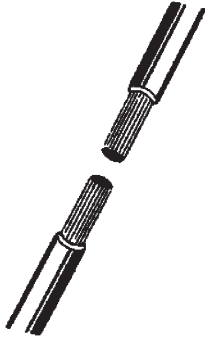
Green 24-22 AWG PN 88988379



# CRIMP AND SEAL SPLICE SLEEVE

P/N 12089189, 12089190, 12089191, 88988379

1

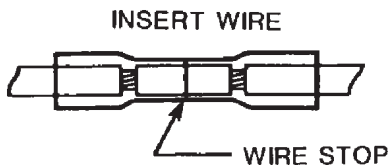


CUT OFF CLIP IF APPLICABLE. STRIP INSULATION. 3/16" LENGTH FOR 10 THRU 22 GA.

(MINIMIZE WIRE LENGTH LOSS)

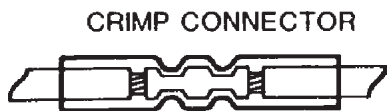
**USE CAUTION WHEN STRIPPING INSULATION BEING CAREFUL NOT TO CUT THROUGH THE WIRE STRANDS.**

2



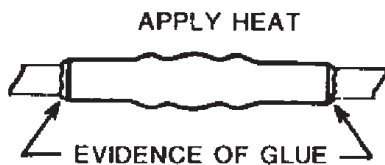
PREFERRED: LOCATE NEW SPLICE 40 MM (1.5") MINIMUM FROM AN OUTLET OR ANOTHER SPLICE. DETERMINE PROPER SLEEVE FOR GAUGE OF WIRE. POSITION STRIPPED ENDS OF WIRE INTO SLEEVE UNTIL WIRE HITS THE STOP.

3



HAND CRIMP USING CRIMPING TOOL J-38125-8. **GENTLY TUG** ON WIRE TO MAKE SURE THEY ARE SECURE BEFORE APPLYING HEAT TO SLEEVE.

4



APPLY HEAT USING ULTRATORCH OR OTHER DEVICE HEATING TO 175°C. REFER TO PG. 12.

**CAUTION: DO NOT USE MATCH OR OPEN FLAME TO APPLY HEAT TO SEAL**

5



IN SOME EXTREME HIGH TEMPERATURE APPLICATIONS (IE UNDER HOOD, NEAR EXHAUST SYSTEMS, ETC) HEAT SHRINK TUBE (J-38125-TUBE) MUST BE PLACED OVER THE COMPLETED CRIMP AND SEAL SPLICE TO PRESERVE THE INTEGRITY OF SPLICE SEAL.

# SEALED SPLICE CRIMP MATRIX

## SEALED SPLICE CRIMP MATRIX (one to one splice only)

Part Number	Color	0.22	0.35	0.5	0.8	1	2	3	5
88988379	Green	X	X						
12089189	Salmon			X	X				
12089190	Blue					X	X		
12089191	Yellow							X	X

The unsealed splice clips are designed to be crimped and soldered. Each clip may contain only a certain combination of wires, expressed in area. Use the table below to determine which clip works with your combination.

Wire size	.022	0.35	0.5	0.8	1	2	3	5
Area - sq mm	0.051	0.308	0.549	0.805	1.177	1.947	3.019	4.756

Splice clip P/N	Recommended area in crimp
821240	2.80 - 5.50 mm <sup>2</sup>
1839906	5.50 - 8.90 mm <sup>2</sup>
5297428	2.16 - 3.29 mm <sup>2</sup>

### ENGLISH/METRIC GAUGE CONVERSION TABLE

METRIC SIZE (SQ MM)	SAE SIZE (GAUGE)
0.22	24
0.35	22
0.5	20
0.75	N/A
0.8	18
1	16
1.50	N/A
2	14
2.50	N/A
3	12
5	10
8	8
13	6
19	4

# J-38125-H ESSENTIAL TOOL KIT

Description	Part No.	J-Number
Terminal tray #1 (Delphi)	12085267	J-38125-TRAY1
Terminal tray #2 (Delphi)	12085266	J-38125-TRAY2
Terminal tray #3 (Delphi)	12188910	J-38125-TRAY3
Terminal tray #4 (Delphi)	12188911	J-38125-TRAY4
Terminal tray #5 (Delphi)	12188912	J-38125-TRAY5
Terminal tray #6 (Sumitomo)	N/A	J-38125-TRAY6
Terminal tray #7 (Lear)	N/A	J-38125-TRAY7
Terminal tray #8 (Delphi)	N/A	J-38125-TRAY8
Terminal tray #9 (Yazaki)	N/A	J-38125-TRAY9
Terminal tray #10 (Yazaki)	N/A	J-38125-TRAY10
Terminal tray #11 (Yazaki)	N/A	J-38125-TRAY11
Terminal tray #12 (Yazaki)	N/A	J-38125-TRAY12
Terminal tray #13 (Yazaki)	N/A	J-38125-TRAY13
Terminal tray #14 (Yazaki)	N/A	J-38125-TRAY14
Terminal tray #15 (Yazaki)	N/A	J-38125-TRAY15
Terminal tray #16 (Lear)	N/A	J-38125-TRAY16
Terminal tray #17 (Lear)	N/A	J-38125-TRAY17
Terminal tray #18 (Delphi)	N/A	J-38125-TRAY18
Terminal tray #19 (Delphi)	N/A	J-38125-TRAY19
Terminal tray #20 (Delphi)	N/A	J-38125-TRAY20
Terminal tray #21 (AFL)	N/A	J-38125-TRAY21
Terminal tray #22 (Sumitomo)	N/A	J-38125-TRAY22
Terminal tray #23 (Delphi)	N/A	J-38125-TRAY23
Terminal tray #24 (Delphi)	N/A	J-38125-TRAY24
Terminal tray #25 (Lear)	N/A	J-38125-TRAY25
Terminal tray #26 (Sumitomo)	N/A	J-38125-TRAY26
Terminal tray #27 (Yazaki)	N/A	J-38125-TRAY27
Terminal tray #28 (Lear)	N/A	J-38125-TRAY28
Release Tool - Weather Pack - Yellow	12014012-1	J-38125-10A
Release Tool - Standard Large - Blue	12094430	J-38125-11A
Release Tool - Standard Small - Green	12094429	J-38125-12A
Release Tool - Micro Pack - Red	12031876-1	J-38125-13A
Release Tool - Micro .64 - Red	15381651-2	J-38125-21
Release Tool - Micro .64 male - Tan	15389891	J-38125-22
Release Tool - Tyco .64 MQS - Green	N/A	J-38125-24
Release Tool - Deutch 250 - Lt. Blue	0411-310-1605	J-38125-26
Release Tool - Deutch 150 - Orange	0411-337-1205	J-38125-27
Release Tool - Kostal - Round 150 - Green	N/A	J-38125-28
Release Tool - Delphi Flex Beam - Yellow	13558833-1	J-38125-29
Release Tool - Micro Pack 100W - Gray	12122523	J-38125-33



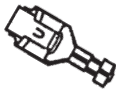


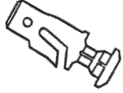


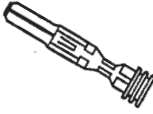

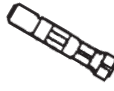
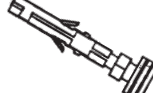
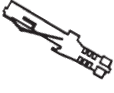
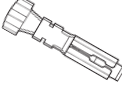

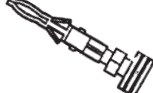



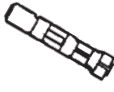

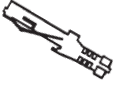

# J-38125-H ESSENTIAL TOOL KIT CONT.

Release Tool - Tyco - Lt. Blue	N/A	J-38125-36
Release Tool - JAE .64 - Blue	N/A	J-38125-211
Release Tool - Tyco 280 Male JPT - Black	N/A	J-38125-212
Release Tool - Molex .64 - Gray	N/A	J-38125-213
Release Tool - Tyco 100 - Black	N/A	J-38125-214
Release Tool - Yazaki Kaizen .64 - Purple	N/A	J-38125-215A
Release Tool - Round Hook TPA Removal Tool - Green	N/A	J-38125-216
Release Tool - Molex 150 - Black	N/A	J-38125-217
Release Tool - Tyco 480 - Orange	N/A	J-38125-218
Release Tool - Tyco 100 - Lt. Blue	N/A	J-38125-220
Release Tool - Tyco 950 - Green	N/A	J-38125-221
Release Tool - Tyco 250 female - Brown	N/A	J-38125-222
Release Tool - Round Hook - TPA Removal Tool - Blue	15313892	J-38125-552
Release Tool - Micro Pack 280, 480 - Black	15315247	J-38125-553
Release Tool - Molex Pin 280 - White	12152110	J-38125-554
Release Tool - Tyco 280 JPT/Mini-Timer - Yellow	12093647	J-38125-556
Release Tool - Tyco 150 Mini-Timer - White	12122378	J-38125-557
Release Tool - M/P 800 Maxi Fuse - Blue	12150860	J-38125-558
Pin Vise	12180559-1	J-38125-559
Release Tool - Bosch .64 BMK - White	15314260	J-38125-560
Release Tool - Bosch 280 BSK - White	N/A	J-38125-561
Crimper - 1 thru 5	12085270	J-38125-6
Crimper - A thru E	12085271	J-38125-7
Crimper - F&G - Sealed Splice	12085115	J-38125-8
Crimper - M	15397700	J-38125-64
Crimper - W	12125080	J-38125-101
Crimper - 6 thru 8	N/A	J-38125-641
Crimper - H thru K	N/A	J-38125-642
Crimper - N 9 & P	N/A	J-38125-643
Ultra Torch	12085116	J-38125-5
3.3MM Solder Tip	N/A	J-38125-18
Heat Tip	N/A	J-38125-19
Heat Shrink Attachment	N/A	J-38125-20
Connector Parts Tray	N/A	J38125-605
Cabinet (Holds 5 trays) 7 each	N/A	J-38125-610
Tool Tray	N/A	J-38125-615
Reference Guide	N/A	J-38125-620H
Crimp Tool Box	N/A	J-38126-625
SIR Tray	N/A	J-38125-SIR

All components listed above are available from Kent-Moore. Please call (800) 345-2233 for orders.



# TRAY #1 DELPHI AUTOMOTIVE



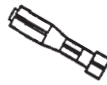

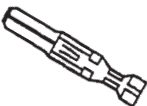
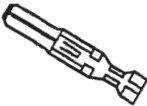


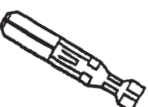
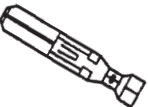

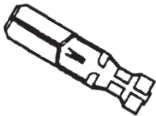
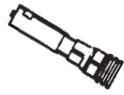





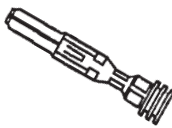
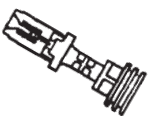




12124515		1	12034037	OBSOLETE (NO REPLACEMENT)	5	05297428		6	12020321		8
02971962		2	029622516		4	01839906		7	12129497		16
02973216		3	12033816		12	12124580		15	12089191		24
12191475		11	12004996		13	12124582		14	12089190		23
08911640		9	12048247		18	88988379	GREEN SPLICE SLEEVE	21	12089189	SALMON SPLICE SLEEVE	22
12020320		10	02984172		19	02984375	YELLOW SPLICE SLEEVE	24	12089191	YELLOW SPLICE SLEEVE	24
12089507		17	12089172		19	02984375	GREEN SPLICE SLEEVE	21	12089190	BLUE SPLICE SLEEVE	23
Tray 1		17			20			22			24

NOV. 2006

523276 REV D



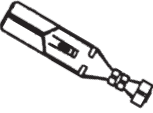
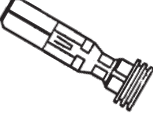
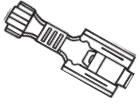















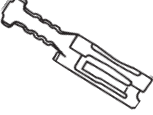
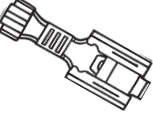
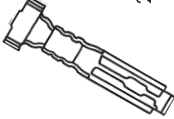
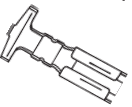
YOUR TRAY LABEL SHOULD MATCH THE LABEL SHOWN ABOVE. IF NOT, AN UPDATE IS REQUIRED.

# TRAY #2 DELPHI AUTOMOTIVE

15326030	12047581	12034046	12066214	12034047	12020116	12124304	12084595
							
1	2	3	4	5	6	7	8
12020120	12033820	12015870	12020126	12048074	12045773	12103881	12089340
							
9	10	11	12	13	14	15	16
12129493	12077411	12048159	12048451	12066132	12048087	12048441	12041351
							
17	18	19	20	21	22	23	24
Troy 2 523277 REV B							DEC 2007

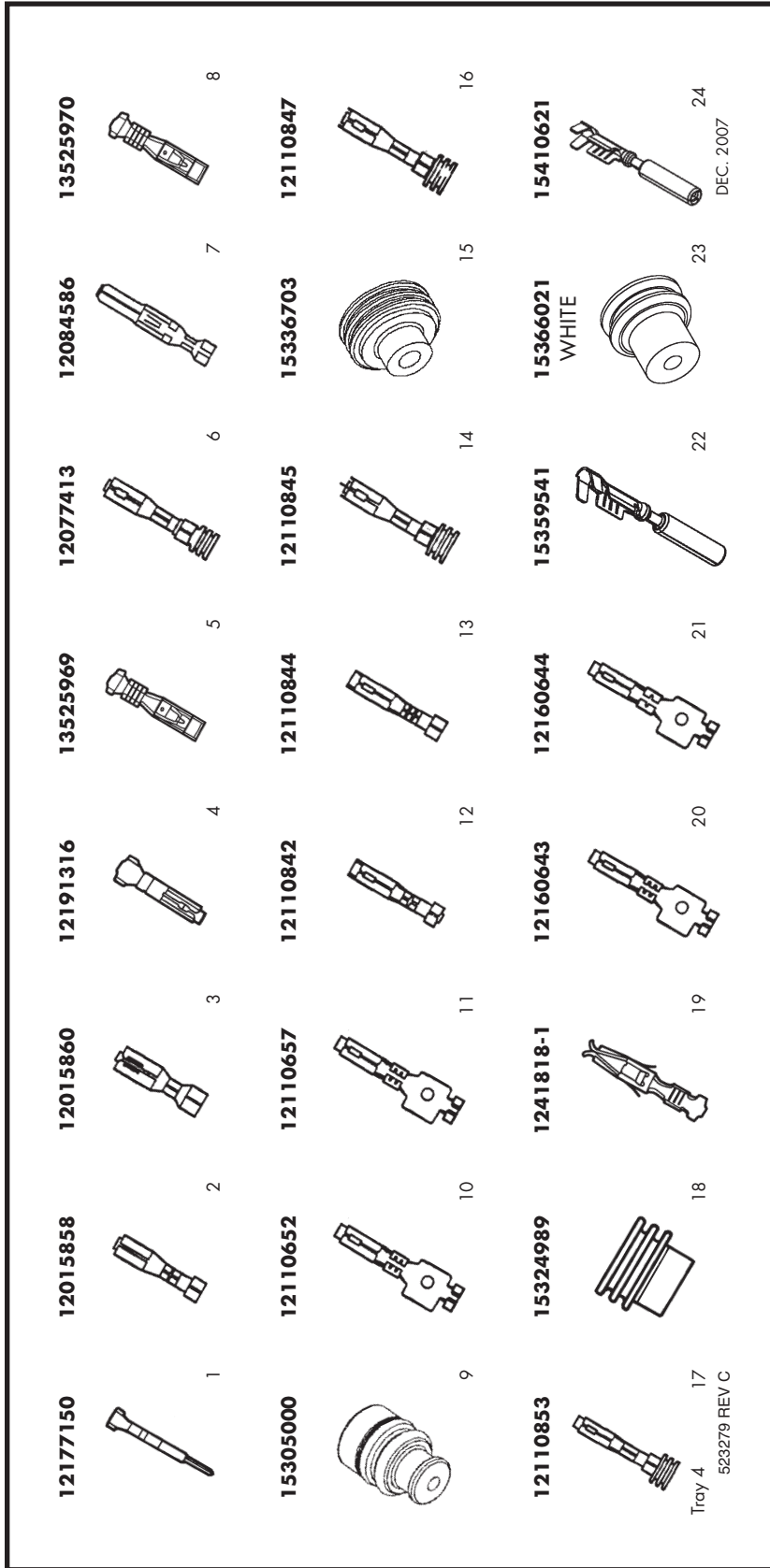
YOUR TRAY LABEL SHOULD MATCH THE LABEL SHOWN ABOVE. IF NOT, AN UPDATE IS REQUIRED.

# TRAY #3 DELPHI AUTOMOTIVE

12015869	12110502	12066493	12064736	12084590	12160223	12103325	12160776
							
1	2	3	4	5	6	7	8
12103114	12146447	12160551	12040502	12040511	12161184	12089040	12089188
							
9	10	11	12	13	14	15	16
12176860	12048086 DARK RED	12089678 WHITE	12059168 DARK RED	12020758	12084596	12176387	12191448
							
17	18	19	20	21	22	23	24
Tray 3							NOV. 2006
523278 REV C							






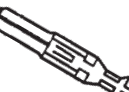
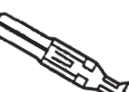









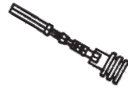





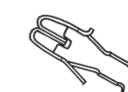

YOUR TRAY LABEL SHOULD MATCH THE LABEL SHOWN ABOVE. IF NOT, AN UPDATE IS REQUIRED.

# TRAY #4 DELPHI AUTOMOTIVE



YOUR TRAY LABEL SHOULD MATCH THE LABEL SHOWN ABOVE. IF NOT, AN UPDATE IS REQUIRED.

# TRAY #5 DELPHI AUTOMOTIVE

15326427	15326429	15373403	12064971	15393149	12092344	12092345	12110063
							
1	2	3	4	5	6	7	8
12110064	12124075	15393150	12124471	15476168	12186456	12186457	15489500
							
9	10	11	12	13	14	15	16
12084912	12084913	12066638	12065915	12089263	12089496	8905087	15496302
							
17	18	19	20	21	22	23	24

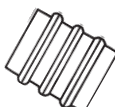
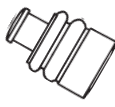






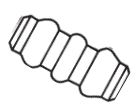
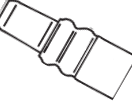
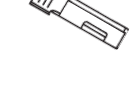





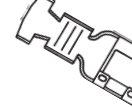






Tray 5  
523280 REV C

NOV. 2006

YOUR TRAY LABEL SHOULD MATCH THE LABEL SHOWN ABOVE. IF NOT, AN UPDATE IS REQUIRED.



# TRAY #6 SUMITOMO

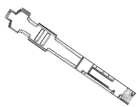
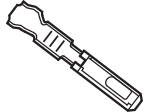
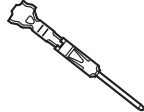
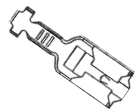

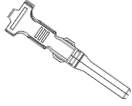
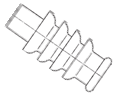

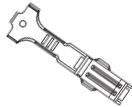
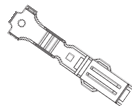



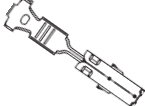
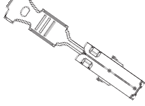
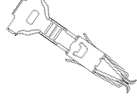




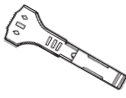

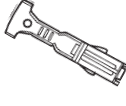
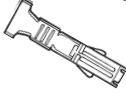
7160-9465		1	7165-0347		2	7165-0348		3	7165-0349		4	7165-0356		5	7165-0395		6	7165-0547		7	7165-0796		8
8100-0797		9	7165-0815		10	8100-0460	REPLACED WITH 7116-4025 TRAY 11	11	8100-0461		12	8100-0468		13	8100-0594		14	8100-1466		15	8100-1467		16
8100-1710		17	8100-2493		18	8100-2512		19	8100-0544		20	8230-4040		21	8230-4282		22	8240-4140		23	8240-4422		24

Tray 6 528440 REV C

DEC 2007

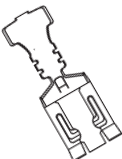
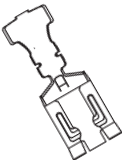
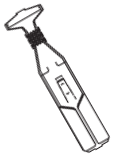
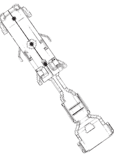



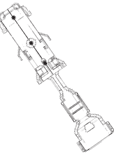
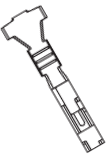

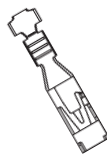
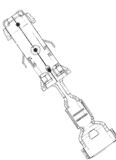
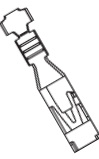
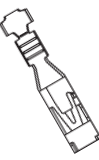
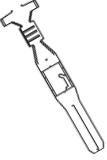
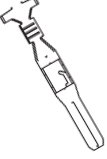

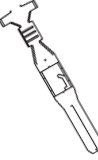
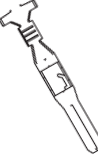

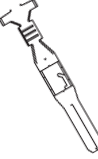

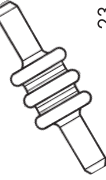

YOUR TRAY LABEL SHOULD MATCH THE LABEL SHOWN ABOVE. IF NOT, AN UPDATE IS REQUIRED.

# TRAY #7 LEAR

1123343-2	1719532-5	963716-2	154718-3	171631-2	171661-5	172748-1	173630-7
							
1	2	3	4	5	6	7	8
184030-1	184095-1	184139-1	184140-1	184141-1	1-968857-3	1-968859-3	2-927835-2
							
9	10	11	12	13	14	15	16
2-968037-4	771016-HK200	771416-HK200	771816-HK200	173716-1	280756-4	282224-1	282225-1
							
17	18	19	20	21	22	23	24
Tray 7							DEC 2007
	522370 REV C						

YOUR TRAY LABEL SHOULD MATCH THE LABEL SHOWN ABOVE. IF NOT, AN UPDATE IS REQUIRED.

# TRAY #8 DELPHI AUTOMOTIVE












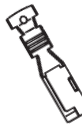












12020156	12033997	12064734	1928498054	12084449	12177068	12177069	1928498055
							
1	2	3	4	5	6	7	8
12191819	1928498056	15304711	1928498057	15304716	15304717	15304722	15304724
							
9	10	11	12	13	14	15	16
1928498058	15304728	15304729	1928498132	15304732	15305174	15305171	15496531
							
17	18	19	20	21	22	23	24

Tray 8  
523282 REV C

NOV. 2006

YOUR TRAY LABEL SHOULD MATCH THE LABEL SHOWN ABOVE. IF NOT, AN UPDATE IS REQUIRED.



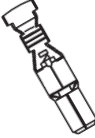
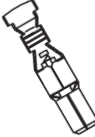
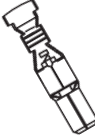









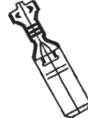









# TRAY #9 YAZAKI

7114-4100-08	7114-4101-08	7116-4100-08	7116-4101-08	7114-4102-08	7114-4103-08	7116-4102-08	7116-4103-08
							
1	2	3	4	5	6	7	8
7114-4110-02	7114-4111-02	7114-4112-02	7116-4110-02	7116-4111-02	7116-4112-02	7114-4150-02	7114-4151-02
							
9	10	11	12	13	14	15	16
7114-4152-02	7116-4150-02	7116-4151-02	7116-4152-02	7114-4120-02	7114-4121-02	7114-4122-02	7116-4120-02
							
17	18	19	20	21	22	23	24

Tray 9

YOUR TRAY LABEL SHOULD MATCH THE LABEL SHOWN ABOVE. IF NOT, AN UPDATE IS REQUIRED.


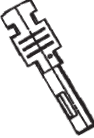
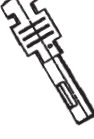





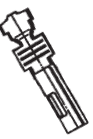
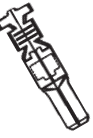
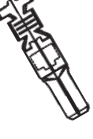













# TRAY #10 YAZAKI

7116-4121-02		7116-4122-02		7114-4140-02		7114-4141-02		7114-4142-02		7116-4140-02		7116-4141-02		7116-4142-02	
7116-1470		7114-1470		7114-1475		7116-1473		7116-1474		7114-2875		7114-2876		7114-2877	
7116-2875		7116-2876		7116-2877		7116-3250		7116-3251		7114-4020		7114-4021		7114-4022	

Tray 10

YOUR TRAY LABEL SHOULD MATCH THE LABEL SHOWN ABOVE. IF NOT, AN UPDATE IS REQUIRED.

# TRAY #11 YAZAKI

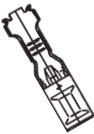















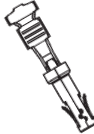
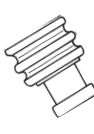

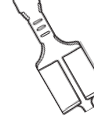
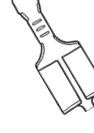
7116-4020	7116-4021	7116-4022	7114-4025	7114-4026	7114-4027	7116-4025	7116-4026
							
1	2	3	4	5	6	7	8
7116-4027	7114-4031	7114-4032	7116-4031	7116-4032	7114-6041	7114-6042	7116-6041
							
9	10	11	12	13	14	15	16
7116-6042	7114-1238	7114-1239	7116-1342	7114-1170	7116-1180	7116-1181	7116-1420
							
17	18	19	20	21	22	23	24

Tray 11

YOUR TRAY LABEL SHOULD MATCH THE LABEL SHOWN ABOVE. IF NOT, AN UPDATE IS REQUIRED.



# TRAY #12 YAZAKI

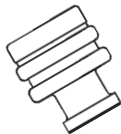





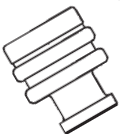
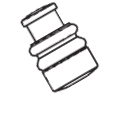






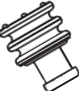


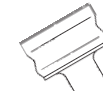



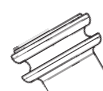


7116-1343		1	7114-1680-02		2	7116-1680-02		3	7114-1467-02		4	7114-1468-02		5	7116-1767-08		6	7116-1768-08		7	7116-1557-08		8
7116-1558-08		9	7116-2095		10	7116-2090		11	7116-2640-02		12	7114-1471		13	7114-1472		14	7116-1471		15	7116-1472		16
22124472200		17	10800444522		18	7116-2640	REPLACED WITH 7116-4640-02 THIS TRAY	19	7116-2640-02		20	7116-2641	REPLACED WITH 7116-4641-02 THIS TRAY	21	7116-2641-02		22	7116-2642	REPLACED WITH 7116-4642-02 THIS TRAY	23	7116-2642-02		24

DEC 2007

Tray 12  
107216 REV C


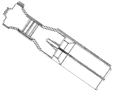
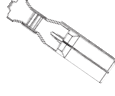





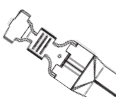
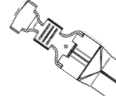






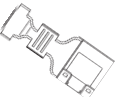
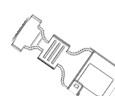
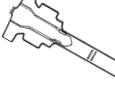





YOUR TRAY LABEL SHOULD MATCH THE LABEL SHOWN ABOVE. IF NOT, AN UPDATE IS REQUIRED.

# TRAY #13 YAZAKI

7157-3891	7157-3950-80	7157-3976-60	7157-3977-50	7157-7811-80	7157-7812	7157-7935	7158-3006-90
							
1	2	3	4	5	6	7	8
7158-3007-10	7158-3008-80	7158-3081-50	7158-3082-90	7158-3083	7158-3111-60	7158-3112-70	7158-3113-40
							
9	10	11	12	13	14	15	16
7157-3852	7157-3920-40	7158-3030-50	7158-3031-90	7157-3646	7157-3648	7158-3032-60	7158-3080-60
							
17	18	19	20	21	22	23	24
Tray 13	107217 REV C						DEC 2007



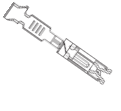

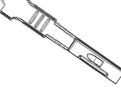
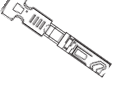
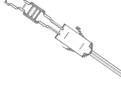
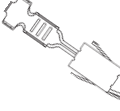



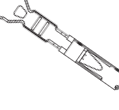





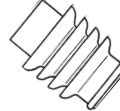
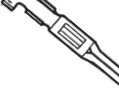

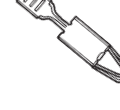
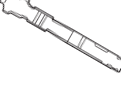
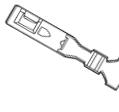
YOUR TRAY LABEL SHOULD MATCH THE LABEL SHOWN ABOVE. IF NOT, AN UPDATE IS REQUIRED.

# TRAY #14 YAZAKI

7114-1257-02	7114-3250	7114-3251	7114-4036	7114-4037	7114-4060-02	7114-4231-08	7114-4720-02
							
1	2	3	4	5	6	7	8
7114-6046	7114-6047	7116-1257-02	7116-4036	7116-4037	7116-4060-02	7116-4231-08	7116-4720-02
							
9	10	11	12	13	14	15	16
7116-6046	7116-6047	7114-1050	7114-4721-02	7116-4035	7116-4721-02	SAIT-A03T-M064	SAITS-A03T-M064
							
17	18	19	20	21	22	23	24
Tray 14							DEC 2007
522363							
REV D							

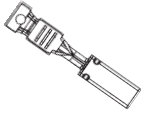


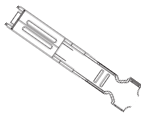
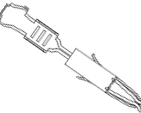
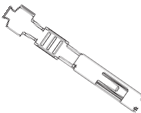
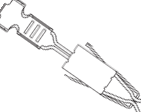
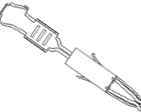


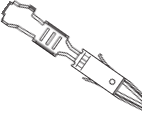
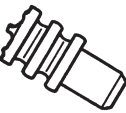







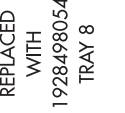
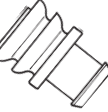
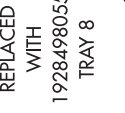
YOUR TRAY LABEL SHOULD MATCH THE LABEL SHOWN ABOVE. IF NOT, AN UPDATE IS REQUIRED.

# TRAY #15 YAZAKI

1393457-5		1	1393458-1		2	1411558-2		3	1-1411593-1		4	175266-5		5	2-1411578-2		6	1-929939-1	REPLACED WITH 4-964286-1 TRAY 16	7	1-962915-3		8
4-964273-1		9	828904-1		10	828922-1		11	928999-5		12	962885-5		13	963292-1		14	963293-1		15	967056-1		16
967067-1		17	967067-2		18	172749-2		19	173633-3		20	963143-1		21	964280-2		22	22124614200		23	50420-8000		24

YOUR TRAY LABEL SHOULD MATCH THE LABEL SHOWN ABOVE. IF NOT, AN UPDATE IS REQUIRED.

# TRAY #16 LEAR

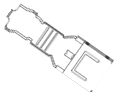


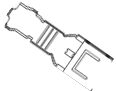



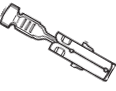
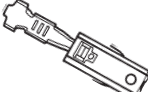
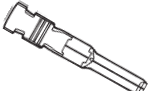
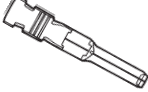
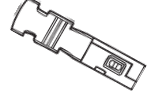
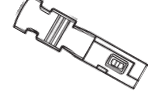

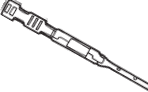
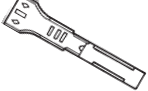




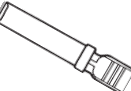


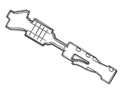
33119-0004		1	828985-1		8
100132-1		2	776001-1		7
964274-2		3	638551-1		6
4-964286-1		4	4-969005-1		5
963244-1		11	963294-1		13
962943-5		10	963531-1		15
828986-1		9	963530-1		14
964972-1		17	1928498060		21
967607-1		18	1928498061		22
967608-1		19	1928498062		23
828905-1		20	1928498063		24

Tray 16  
522365 REV C

YOUR TRAY LABEL SHOULD MATCH THE LABEL SHOWN ABOVE. IF NOT, AN UPDATE IS REQUIRED.

NOV. 2006

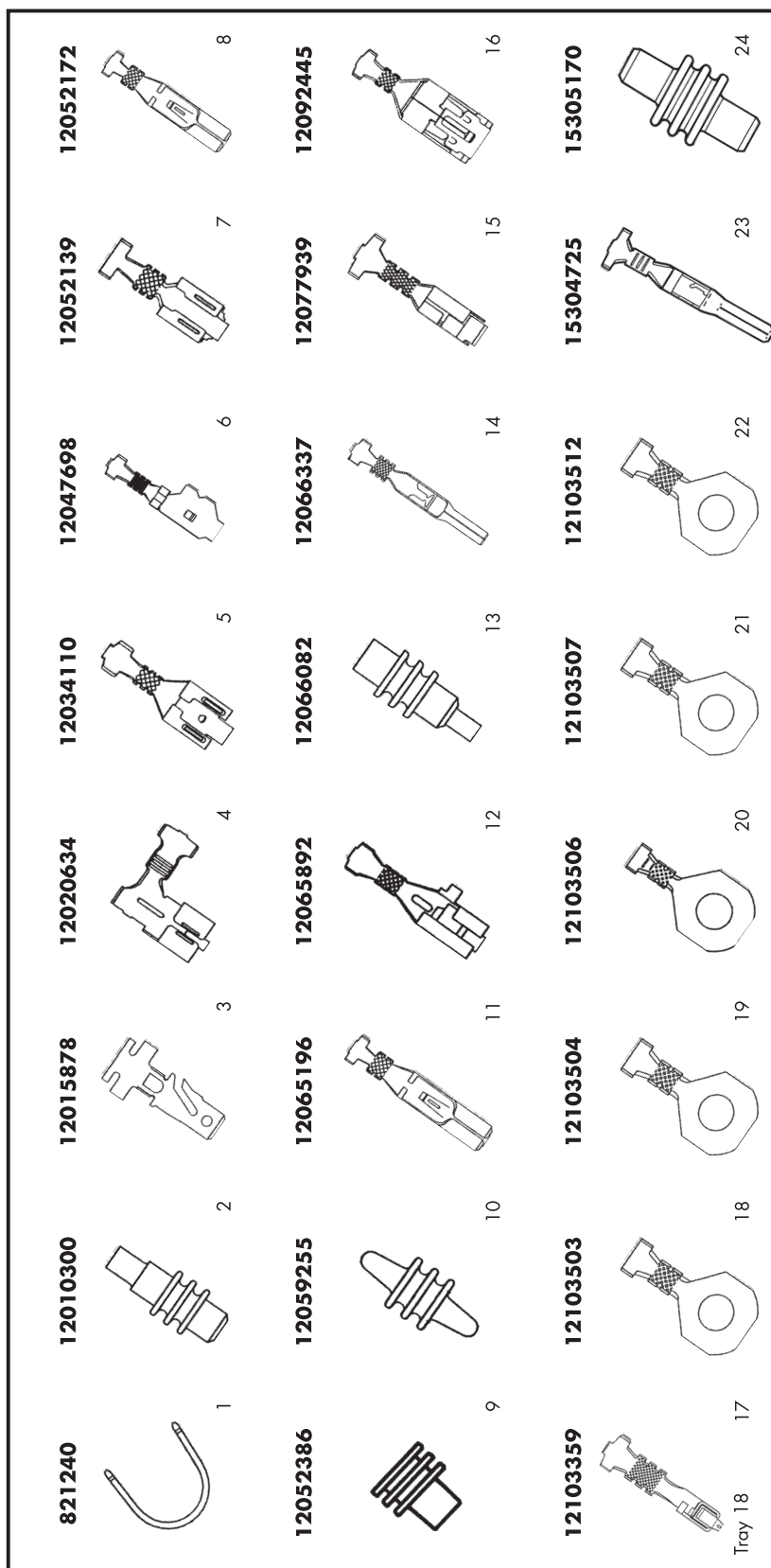
# TRAY #17 LEAR

968072-2	968074-2	968075-2	968121-2	968122-2	1241374-1	1241388-1	1241390-1
							
1	2	3	4	5	6	7	8
1241406-1	1326029-1	1326029-8	1326030-6	1326030-8	1456350-1	1488220-1	173681-2
							
9	10	11	12	13	14	15	16
344070-1	347707-1	62336-1	770678-1	776491-1	967652-1	1928498014	1928498016
							
17	18	19	20	21	22	23	24
Tray 17							
522366 REV D							DEC 2007

YOUR TRAY LABEL SHOULD MATCH THE LABEL SHOWN ABOVE. IF NOT, AN UPDATE IS REQUIRED.



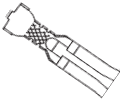




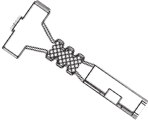
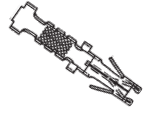
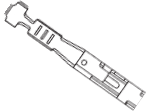
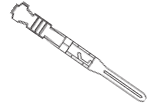
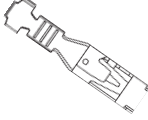
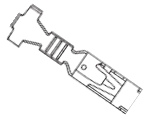
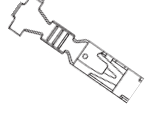
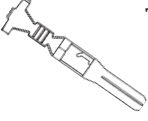

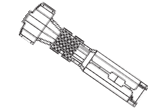
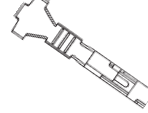
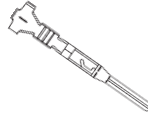
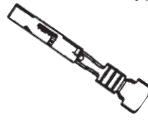
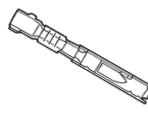


# TRAY #18 DELPHI AUTOMOTIVE



YOUR TRAY LABEL SHOULD MATCH THE LABEL SHOWN ABOVE. IF NOT, AN UPDATE IS REQUIRED.

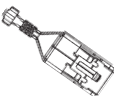


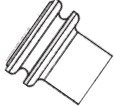
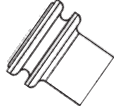
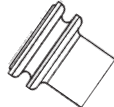
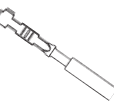




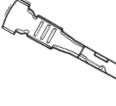
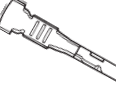
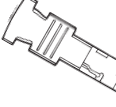
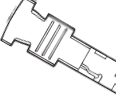
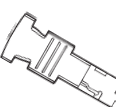

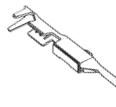
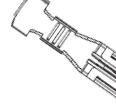

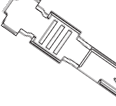

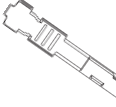
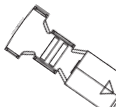
# TRAY #19 DELPHI AUTOMOTIVE

12103514		1	12110127		2	12124313		3	12129484		4	12129960	REPLACED WITH 8240-4892 TRAY 22	5	12146448		6	12147300		7	12147303		8
12176636		9	12177007		10	12191812		11	15304702		12	15304713		13	15304719		14	15304720		15	15304731		16
15305100		17	15305180	REPLACED WITH 7116-1181 TRAY 11	18	15324340		19	15326267		20	15326269		21	15326592		22	1928498135		23	1928498136	REPLACED WITH 1928498135 THIS TRAY	24

Tray 19 17  
522368 REV D

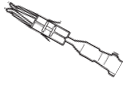
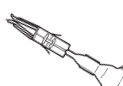


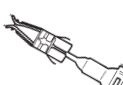














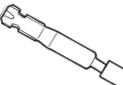
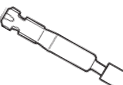
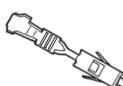


YOUR TRAY LABEL SHOULD MATCH THE LABEL SHOWN ABOVE. IF NOT, AN UPDATE IS REQUIRED.

# TRAY #20 DELPHI AUTOMOTIVE

15336748	15355438	15355486	15366022	15366065	15366067	15435885	16-02-1110
							
1	2	3	4	5	6	7	8
39-00-0077	44476-1111	IL-AG5-PC1-5000	SNAC3-A021T-M0.64	SNAC3-A031T-M0.64	SNAC-A061T-M2.8	SNAC-A081T-M2.8	SNAC-A091T-M2.8
							
9	10	11	12	13	14	15	16
08-50-0115	SAITW-A03T-064	43375-0001	IL-AG5-C1-5000	SHCM-A03T-P025	SHCMW-A03T-040	SNAC-A03T-M040	SVH-21T-PI.1
							
17	18	19	20	21	22	23	24
Tray 20							NOV. 2006
522369							REV D

YOUR TRAY LABEL SHOULD MATCH THE LABEL SHOWN ABOVE. IF NOT, AN UPDATE IS REQUIRED.

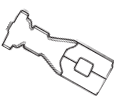

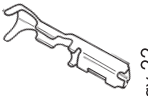
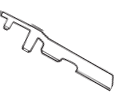
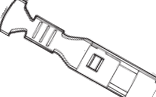
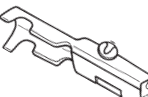
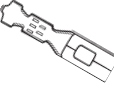
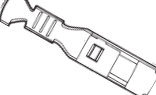
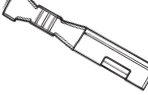
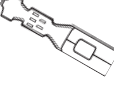
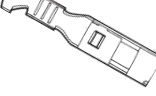
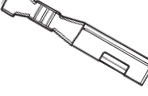
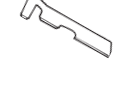
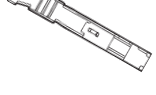


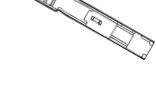





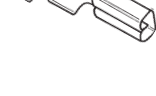

# TRAY #21 AFL

60000511		1	60000611		2	60000631		3	60012811		4	60012911		5	60012931		6	60012941		7	60040431		8
60040441		9	60040451		10	60040461		11	60993906		12	60993913		13	60993928		14	60994015		15	60994023		16
60994034		17	60992607		18	JW-1630-2		19	PG-1209-31		20	PG-1809-2		21	60000641		22	60992604		23	60993934		24

Tray 21

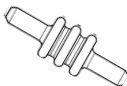
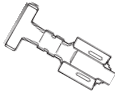
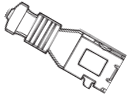
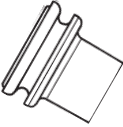
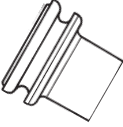
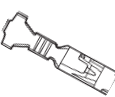
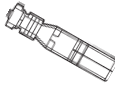

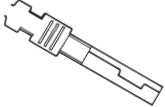
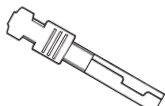
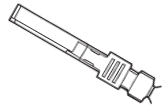
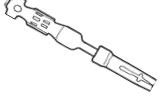
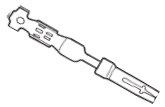
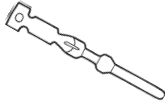
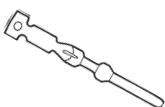

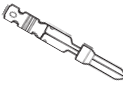
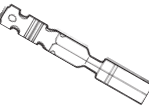
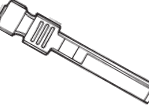
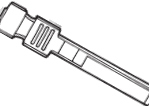
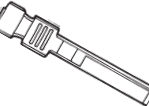
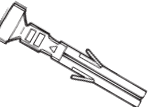
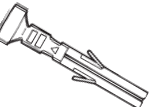
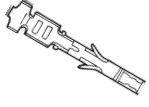
YOUR TRAY LABEL SHOULD MATCH THE LABEL SHOWN ABOVE. IF NOT, AN UPDATE IS REQUIRED.

# TRAY #22 SUMITOMO

54001004		1	8100-4339		9	54001804		17
54001202		2	8100-4443		10	54001807		18
54001400		3	8100-4444		11	54001807		19
54001800		4	8100-4445		12	54001807		20
54001807		5	8240-0127		13	54001807		21
8100-3426		6	8240-0128		14	54001002		22
8100-3427		7	8240-4412		15	54001401		23
8100-3455		8	8240-4652		16	54001404		24

YOUR TRAY LABEL SHOULD MATCH THE LABEL SHOWN ABOVE. IF NOT, AN UPDATE IS REQUIRED.

# TRAY #23 DELPHI AUTOMOTIVE

15305172		1	15305232		2	15344769		3	15366061		4	15366063		5	15392777		6	15410292		7	15445905		8
15455571		9	33001-1004		10	33012-1003		11	33468-0003		12	33088-0007		13	33088-0013		14	33093-0005		15	33093-0007		16
33116-0003		17	33118-0005		18	33467-0003		19	33467-0005		20	33468-0001		21	39-00-0038		22	39-00-0046		23	43030-0010		24

REPLACED WITH 15476168 TRAY 5


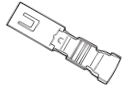
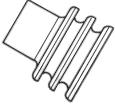
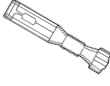
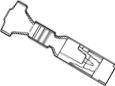
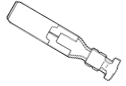
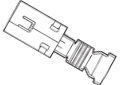
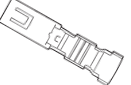
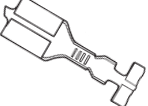

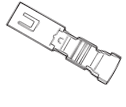
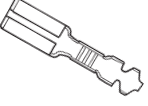
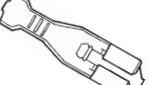

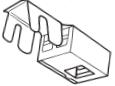
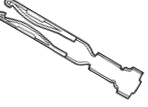
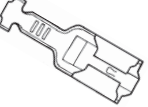
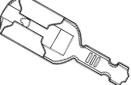


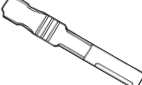
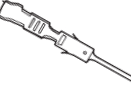
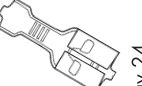
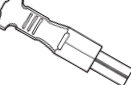
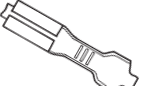
Tray 23  
528443 REV C

NOV. 2006

YOUR TRAY LABEL SHOULD MATCH THE LABEL SHOWN ABOVE. IF NOT, AN UPDATE IS REQUIRED.



# TRAY #24 DELPHI AUTOMOTIVE

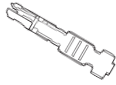
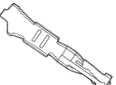


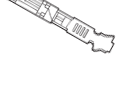



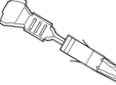


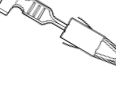
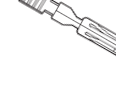



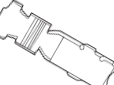
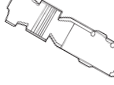






12033605		1	12147451		3	15324983		6	15484100		7	15491972		8
12110700		2	12147474		4	12158098		5	170089-1		13	172773-1		15
12147451		3	160366-2		12	170325-1		14	180351-2		16	2153-006		24
1438232-4		10	154717-3		11	927852-8		21	15324995		23			
1928498059		9	638187-2		18	963898-3		22						
60295-2		17	643221-2		20									
62050-1		18												

Tray 24  
532539 REV B

NOV. 2006




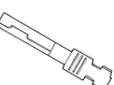
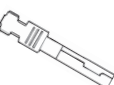
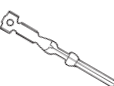
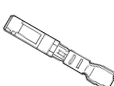

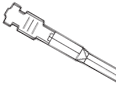
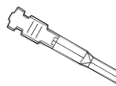

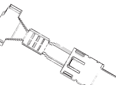





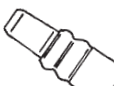



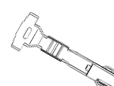
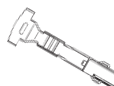

YOUR TRAY LABEL SHOULD MATCH THE LABEL SHOWN ABOVE. IF NOT, AN UPDATE IS REQUIRED.

# TRAY #25 LEAR

963720-3	104479-9	1241380-2	1411553-1	1411560-2	1411590-1	144969-1	170258-1	
								
1	2	3	4	5	6	7	8	
4-964274-1	2-964280-1	2-964284-1	4-965999-1	770520-1	770903-1	770904-1	771116-HK200	
								
9	10	11	12	13	14	15	16	
771316-HK200	771716-HK200	772216-HK200	927837-1	927837-7	962928-1	964328-1	967011-1	
								
17	18	19	20	21	22	23	24	
							532541 REV B	DEC 2007

YOUR TRAY LABEL SHOULD MATCH THE LABEL SHOWN ABOVE. IF NOT, AN UPDATE IS REQUIRED.

# TRAY #26 SUMITOMO

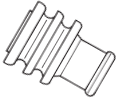

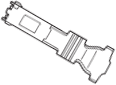


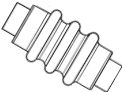
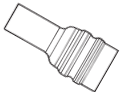
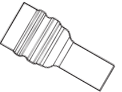

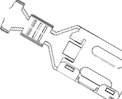


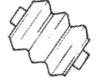
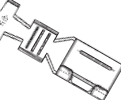
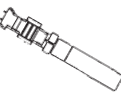
54001801	54001802	1500-0110	33001-1005	33012-1002	33093-0009	8100-2922	8100-2923
							
1	2	3	4	5	6	7	8
8230-4492	8230-4502	26365.213.011	26402.213.178	368083-1	7160-8234	7160-9786	7165-0342
							
9	10	11	12	13	14	15	16
7165-0385	7165-0851	8100-0457	8100-1427	8100-1429	8100-3420	8100-3421	8100-3456
							
17	18	19	20	21	22	23	24

Tray 26  
532543 REV B

NOV. 2006

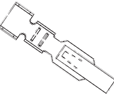
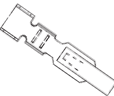
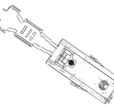

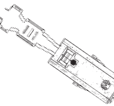

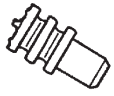

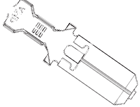

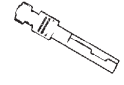


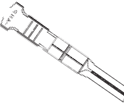

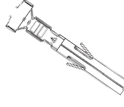
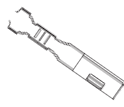
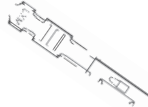
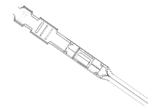





YOUR TRAY LABEL SHOULD MATCH THE LABEL SHOWN ABOVE. IF NOT, AN UPDATE IS REQUIRED.

# TRAY #27 YAZAKI

<b>1</b>	<b>0800 444523</b>	<b>2</b>	<b>2124 472970</b>	<b>7116-1261</b>	<b>7116-1531</b>	<b>7116-3252</b>	<b>7157-3580-60</b>	<b>7157-3791-60</b>	<b>7158-3374-90</b>
									
	<b>8</b>	<b>2</b>	<b>3</b>	<b>4</b>	<b>5</b>	<b>6</b>	<b>7</b>	<b>8</b>	<b>8</b>
		<b>7158-3503-50</b>	<b>7158-3504-80</b>	<b>7158-3505-40</b>	<b>7114-4618-02</b>	<b>7116-1050</b>	<b>7116-2033-02</b>	<b>7116-2951-02</b>	<b>7116-2952-02</b>
									
	<b>9</b>	<b>10</b>	<b>11</b>	<b>12</b>	<b>13</b>	<b>14</b>	<b>15</b>	<b>16</b>	<b>16</b>
		<b>SAIT-A03GF-M064</b>	<b>7157-8767</b>	<b>7158-3114-90</b>	<b>7158-3116-50</b>	<b>175091-1</b>	<b>2 2140 492060</b>	<b>1062-12-0166</b>	<b>1062-16-0622</b>
									
	<b>17</b>	<b>18</b>	<b>19</b>	<b>20</b>	<b>21</b>	<b>22</b>	<b>23</b>	<b>24</b>	<b>24</b>
	Tray 27								DEC 2007
	532545								
	REV D								

YOUR TRAY LABEL SHOULD MATCH THE LABEL SHOWN ABOVE. IF NOT, AN UPDATE IS REQUIRED.

# TRAY #28 LEAR

<b>08-50-0133</b>		<b>1</b>	<b>08-52-0071</b>		<b>2</b>	<b>1241402-1</b>		<b>3</b>	<b>1393457-1</b>		<b>4</b>	<b>1241408-1</b>		<b>5</b>	<b>1393457-2</b>		<b>6</b>	<b>1393457-3</b>		<b>7</b>	<b>1438299-4</b>		<b>8</b>
<b>170349-2</b>		<b>9</b>	<b>1743423-1</b>		<b>10</b>	<b>34083-1002</b>		<b>11</b>	<b>35421-6302</b>		<b>12</b>	<b>35421-6202</b>		<b>13</b>	<b>368087-1</b>		<b>14</b>	<b>368088-1</b>		<b>15</b>	<b>39-00-0059</b>		<b>16</b>
<b>49702-6702</b>		<b>17</b>	<b>50654-1001</b>		<b>18</b>	<b>50660-9001</b>		<b>19</b>	<b>57919-6802</b>		<b>20</b>	<b>57919-6702</b>		<b>21</b>	<b>57919-6902</b>		<b>22</b>	<b>927808-2</b>		<b>23</b>	<b>964265-2</b>		<b>24</b>

Tray 28  
539674 REV A

NOV. 2006

YOUR TRAY LABEL SHOULD MATCH THE LABEL SHOWN ABOVE. IF NOT, AN UPDATE IS REQUIRED.

# ADDITIONAL TRAYS

## Connector Parts Tray



CONTENTS:		
QTY/PKG	PART #	DESCRIPTION
5	15356665	TPA 50 Way Connector
5	15356810	TPA 64 Way Connector
5	15357143	TPA 73 Way Connector
5	15357161	TPA 56 Way Connector
5	15359061	TPA 56 Way Connector
5	15359196	TPA 16 Way Connector
5	15359537	TPA 52 Way Connector
5	15393131	TPA 72 Way Connector
5	15404970	TPA 8 Way Connector
5	15404997	TPA 48 Way Connector
5	15433830	TPA 10 Way Connector
5	15465038	TPA 14 Way Connector
12	J-38125-TUBE	Shrink Tube

## SIR Tray



CONTENTS:		
QTY/PKG	PART #	DESCRIPTION
1	526438	Yellow Tape
5	12020833	SIR CPA
5	12052834	SIR CPA
4	12085510	Terminated Lead
2	12085514	SIR Pigtail
3	12102725	Terminated Lead
3	12102726	Terminated Lead
5	12110299	SIR CPA
5	15393422	SIR CPA
5	15404224	SIR CPA
4	15435886	Terminated Lead
5	54590003	SIR CPA
4	1393365-2	Terminated Lead

## Tool Tray



**J-38125-615**

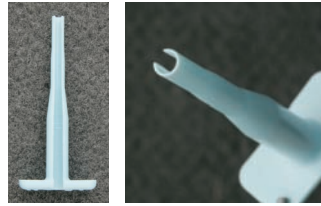
**Used to store release tools and Ultra Torch.**



# J-38125-H TOOLS



**RELEASE TOOL**  
**Weather Pack - Yellow**  
 Part #: 12014012-1  
 Order #: J-38125-10A



**RELEASE TOOL**  
**Deutch 250 - Lt. Blue**  
 Part #: 0411-310-1605  
 Order #: J-38125-26



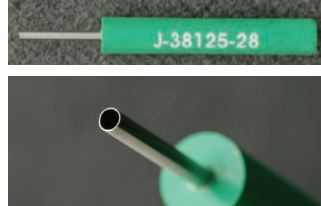
**RELEASE TOOL**  
**Standard Large - Blue**  
 Part #: 12094430  
 Order #: J-38125-11A



**RELEASE TOOL**  
**Deutch 150 - Orange**  
 Part #: N/A  
 Order #: J-38125-27



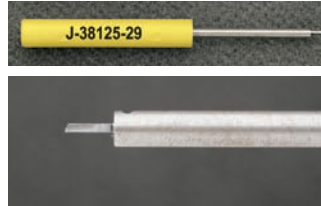
**RELEASE TOOL**  
**Standard Small - Green**  
 Part #: 12094429  
 Order #: J-38125-12A



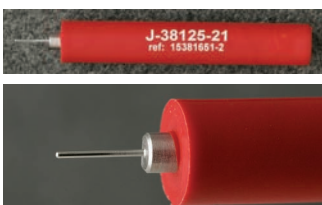
**RELEASE TOOL**  
**Kostal - Round 150 - Green**  
 Part #: 44411  
 Order #: J-38125-28



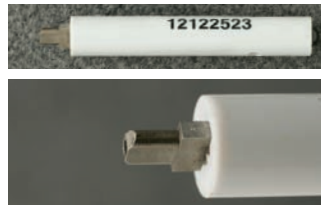
**RELEASE TOOL**  
**Micro Pack - Red**  
 Part #: 12031876-1  
 Order #: J-38125-13A



**RELEASE TOOL**  
**Delphi - Flex Beam - Yellow**  
 Part #: 13558833-1  
 Order #: J-38125-29



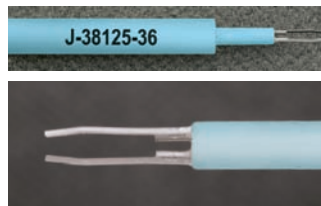
**RELEASE TOOL**  
**Micro .64 - Red**  
 Part #: 15381651-2  
 Order #: J-38125-21



**RELEASE TOOL**  
**Micro Pack 100W - Gray**  
 Part #: 12122523  
 Order #: J-38125-33



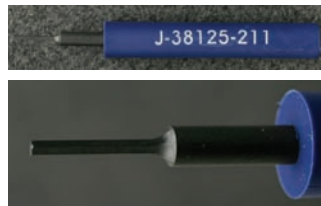
**RELEASE TOOL**  
**Micro .64 Male - Tan**  
 Part #: N/A  
 Order #: J-38125-22



**RELEASE TOOL**  
**Tyco - Light Blue**  
 Part #: N/A  
 Order #: J-38125-36

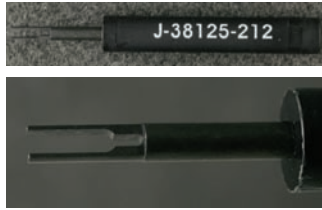


**RELEASE TOOL**  
**Tyco .64 MQS - Green**  
 Part #: N/A  
 Order #: J-38125-24

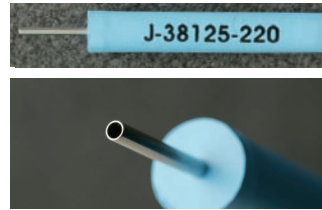


**RELEASE TOOL**  
**JAE .64 - Blue**  
 Part #: N/A  
 Order #: J-38125-211

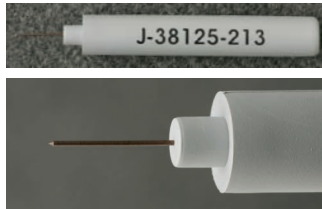
# J-38125-H TOOLS CONT.



**RELEASE TOOL**  
**Tyco 280 Male JPT - Black**  
 Part #: N/A  
 Order #: J-38125-212



**RELEASE TOOL**  
**Tyco 100 - Lt. Blue**  
 Part #: N/A  
 Order #: J-38125-220



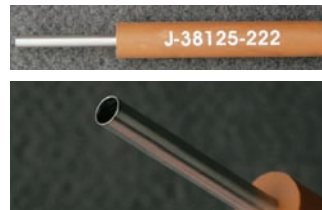
**RELEASE TOOL**  
**Molex .64 - Gray**  
 Part #: N/A  
 Order #: J-38125-213



**RELEASE TOOL**  
**Tyco 950 - Green**  
 Part #: N/A  
 Order #: J-38125-221



**RELEASE TOOL**  
**Tyco 100 - Black**  
 Part #: N/A  
 Order #: J-38125-214



**RELEASE TOOL**  
**Tyco 250 Female - Brown**  
 Part #: N/A  
 Order #: J-38125-222



**RELEASE TOOL**  
**Yazaki Kaizen .64 - Purple**  
 Part #: N/A  
 Order #: J-38125-215A



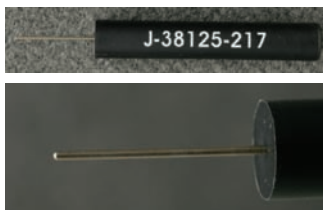
**RELEASE TOOL**  
**Round Hook - TPA Removal Tool - Blue**  
 Part #: 15313892  
 Order #: J-38125-552



**RELEASE TOOL**  
**Round Hook TPA Removal Tool - Brown**  
 Part #: N/A  
 Order #: J-38125-216



**RELEASE TOOL**  
**Micro Pack 280, 480 - Black**  
 Part #: 15315247  
 Order #: J-38125-553



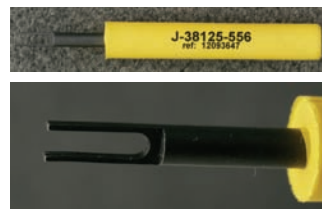
**RELEASE TOOL**  
**Molex 150 - Black**  
 Part #: N/A  
 Order #: J-38125-217



**RELEASE TOOL**  
**Molex Pin 280 - White**  
 Part #: 12152110  
 Order #: J-38125-554



**RELEASE TOOL**  
**Tyco 480 - Orange**  
 Part #: N/A  
 Order #: J-38125-218



**RELEASE TOOL**  
**Tyco 280 JPT/Mini-Timer - Yellow**  
 Part #: 12093647  
 Order #: J-38125-556

# J-38125-H TOOLS CONT.



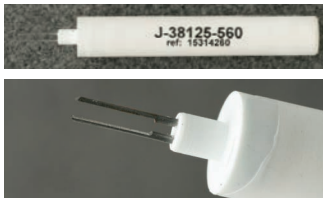
**RELEASE TOOL**  
**Tyco 150**  
**Mini-Timer - White**  
 Part #: 12122378  
 Order #: J-38125-557



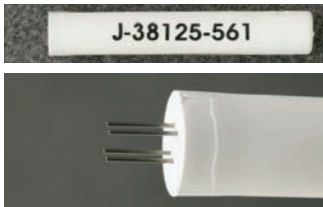
**RELEASE TOOL**  
**M/P 800 Maxi Fuse - Blue**  
 Part #: 12150860  
 Order #: J-38125-558



**Pin Vise**  
 Part #: 12180559-1  
 Order #: J-38125-559



**RELEASE TOOL**  
**Bosch .64 BMK - White**  
 Part #: 15314260  
 Order #: J-38125-560



**RELEASE TOOL**  
**Bosch 280 BSK - White**  
 Part #: N/A  
 Order #: J-38125-561



**CRIMPER - 1 thru 5**  
 Part #: 12085270  
 Order #: J-38125-6



**CRIMPER - A thru E**  
 Part #: 12085271  
 J-Number: J-38125-7



**CRIMPER - F&G - Sealed Splice**  
 Part #: 12085115  
 J-Number: J-38125-8



**CRIMPER - M**  
 Part #: 15397700  
 J-Number: J-38125-64



**CRIMPER- W**  
 Part #: 12125080  
 J-Number: J-38125-101



**CRIMPER - H, J, K**  
 Part #: N/A  
 Order #: J-38125-641



**CRIMPER - 6, 7, 8**  
 Part #: N/A  
 Order #: J-38125-642



**CRIMPER - N, 9, P**  
 Part #: N/A  
 Order #: J-38125-643



**Ultra Torch**  
 Part #: 12085116  
 Order #: J-38125-5

- INCLUDES:**
- 3.3MM Solder Tip
  - Heat Tip
  - Heat Shrink Attachment



**Cabinet (Holds 5 trays)**  
**7 each**  
 Order #: J-38125-610



**Reference Guide**  
 Order #: J-38125-620H



# TERMINALS AND CONNECTORS

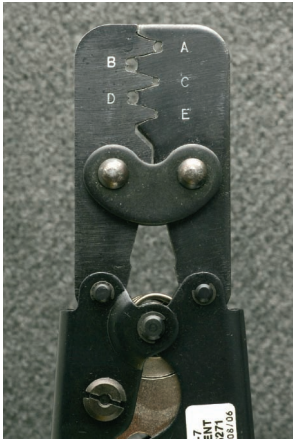
## AFL/EPC Connectors



Production connector design



Service connector design



12085271 / J-38125-7



12085270 / J-38125-6



12094429 / J-38125-12A



12094429 / J-38125-12A

# TERMINALS AND CONNECTORS

## Bosch

### Bosch Connector Identification

Bosch connectors can be identified by one of three possible markings:

1. The word “Bosch” may be molded into the connector.



2. The Bosch symbol may be located on the connector.



3. The letters “BK” may be visible on the connector.



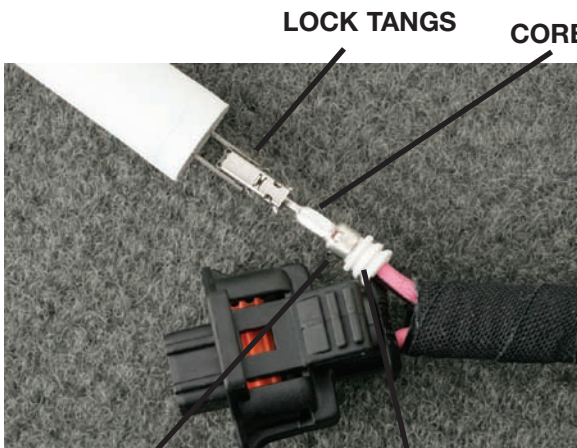


# TERMINALS AND CONNECTORS

## Bosch Sensor Connector (BSK)



280 BSK Sealed



INSULATION WINGS

CABLE SEAL



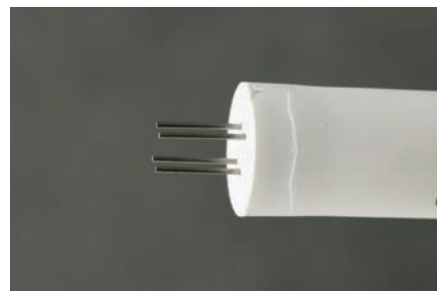
12085271 / J-38125-7



12085270 / J-38125-6



J-38125-561

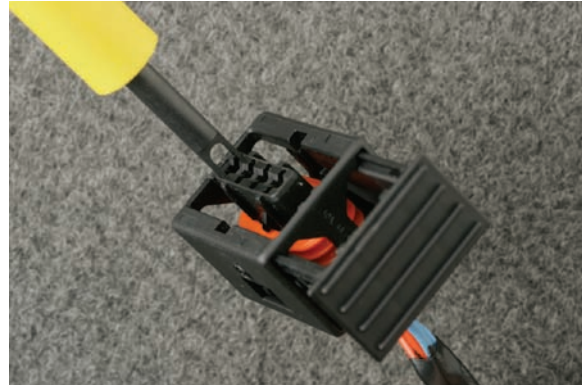
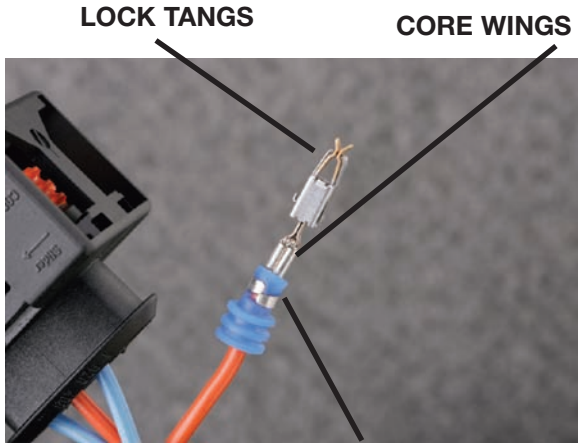


J-38125-561



# TERMINALS AND CONNECTORS

## Junior Power Timer (JPT)



12085271 / J-38125-7



12085270 / J-38125-6



12093647 / J-38125-556



12093647 / J-38125-556

# TERMINALS AND CONNECTORS

## .64 Connector



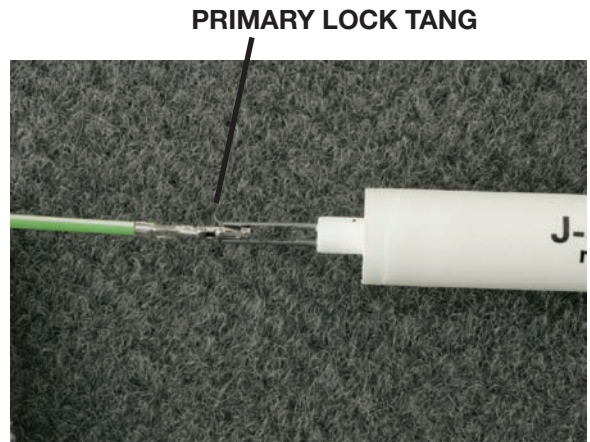
Connector w/ .64 round terminal



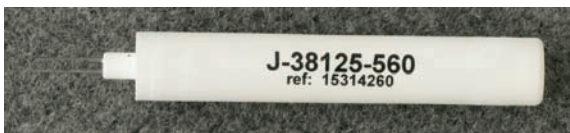
TPA



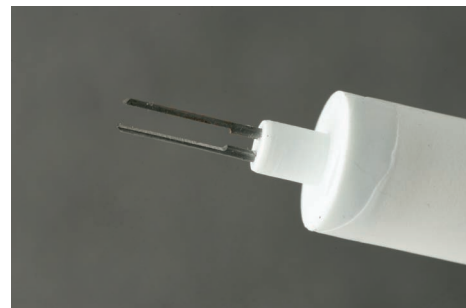
Terminal release tool inserted into connector



PRIMARY LOCK TANG



15314260 / J-38125-560

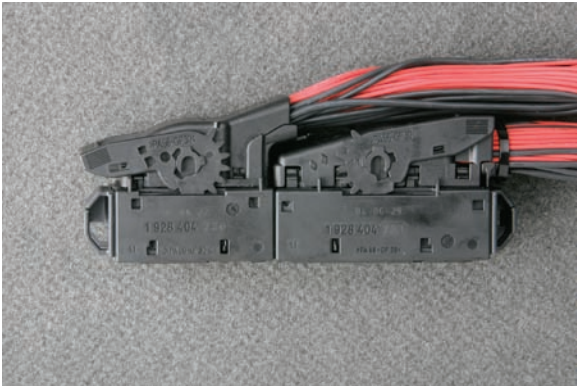


15314260 / J-38125-560



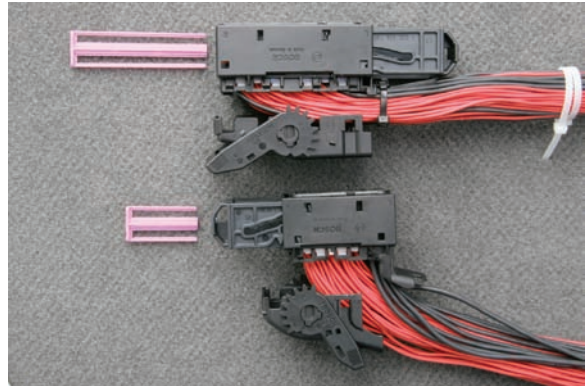
# TERMINALS AND CONNECTORS

## Bosch ECM Connector



Typical Configuration, **NOTE:** The connector shown on the left is removed first.

Remove cover with latch and TPA prior to removing terminal(s).

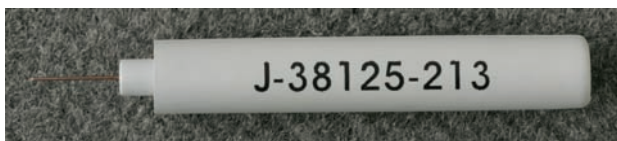


The cover with latch is "keyed" to the connector. Use caution when installing the cover, making sure the cover is properly indexed.

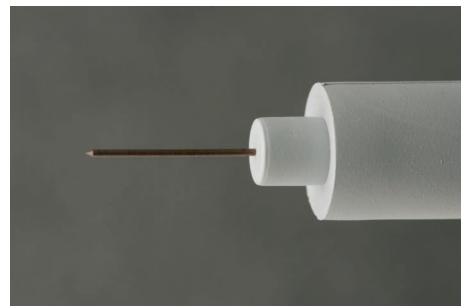
### ENTRY CANAL



J-38125-643



J-38125-213



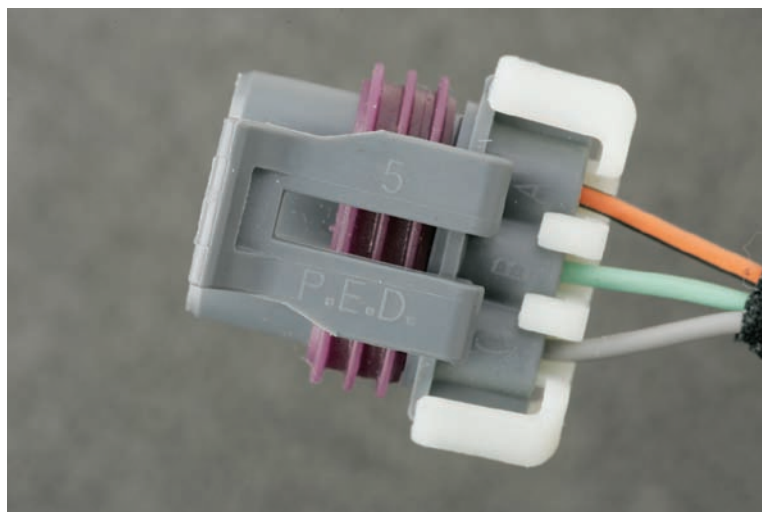
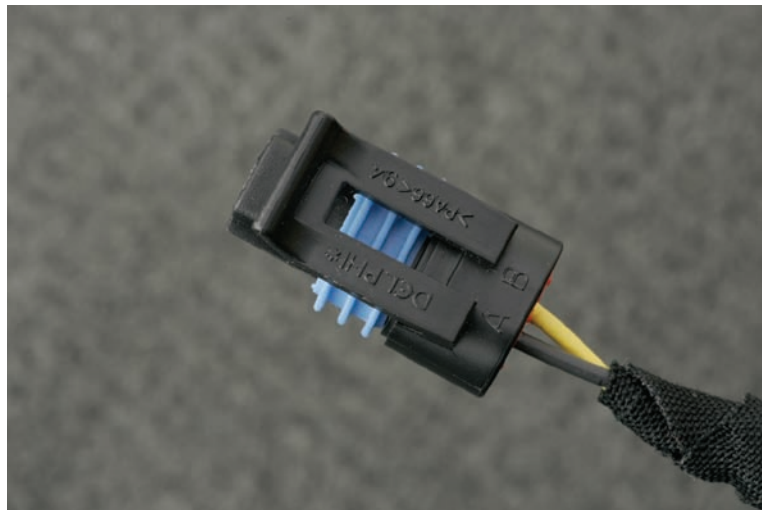
J-38125-213

# TERMINALS AND CONNECTORS

## Delphi Automotive Systems

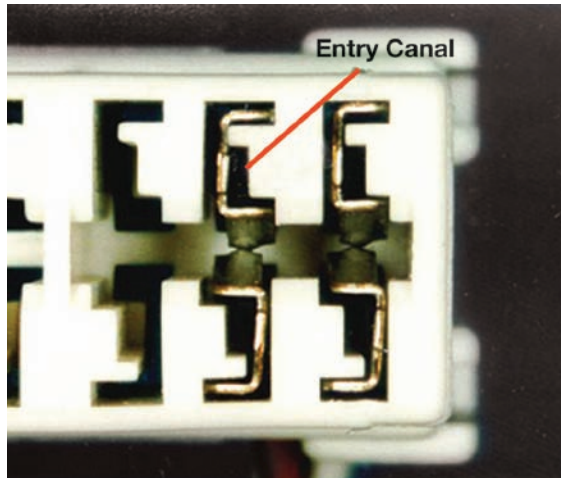
### Delphi Connector Identification

Delphi connectors can be identified by the letters PED (Packard Electric Division) or DELPHI molded into the connector body.

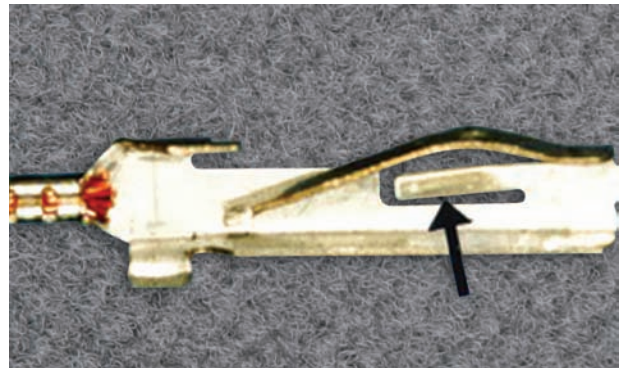


# TERMINALS AND CONNECTORS

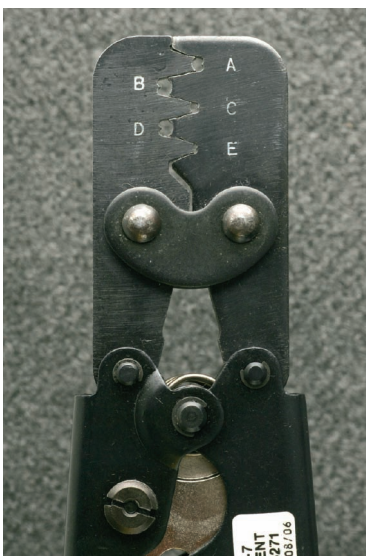
## Edgeboard



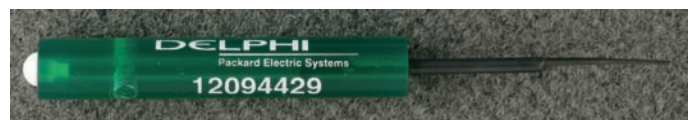
Edgeboard Female



PRIMARY LOCK  
TANG



12085271 / J-38125-7



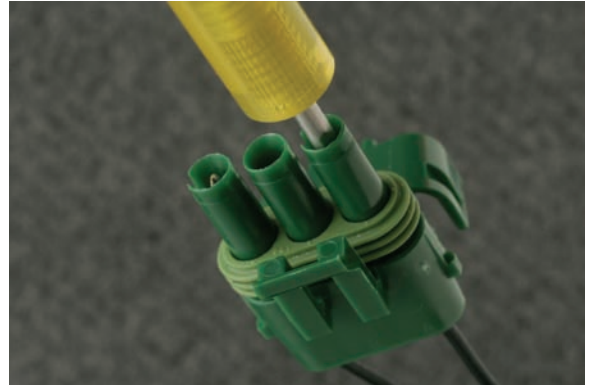
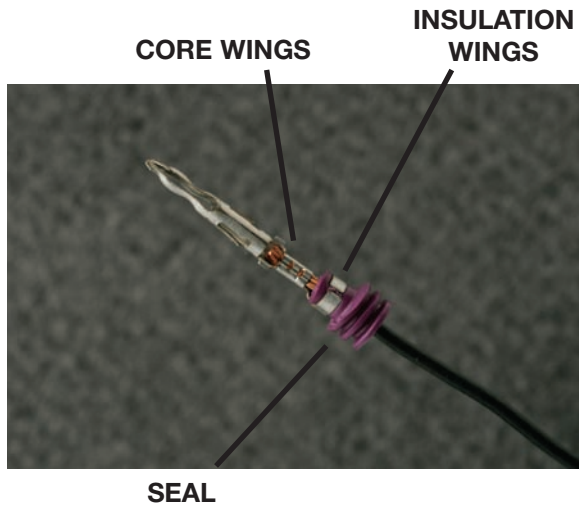
12094429 / J-38125-12A





# TERMINALS AND CONNECTORS

## Weather Pack



12085271 / J-38125-7



12014012-1 / J-38125-10A

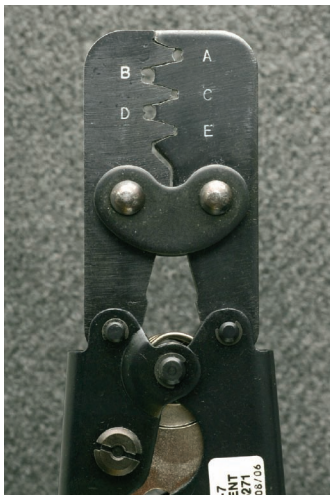
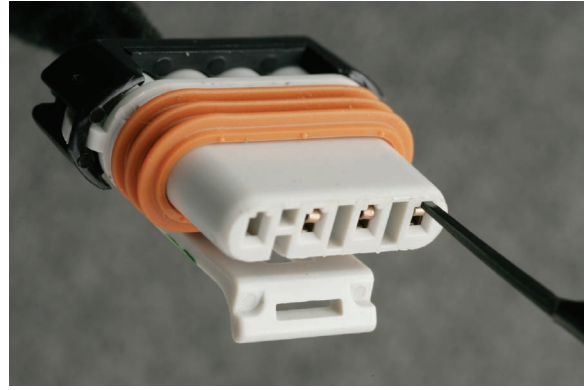
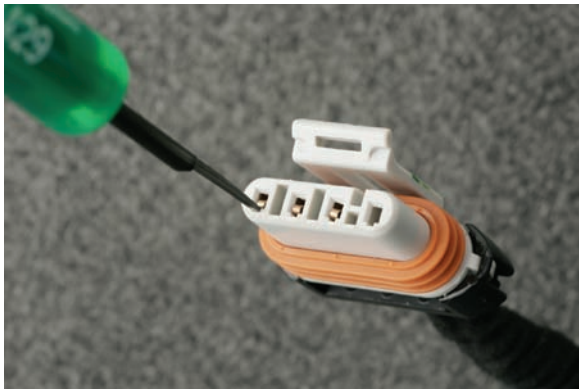
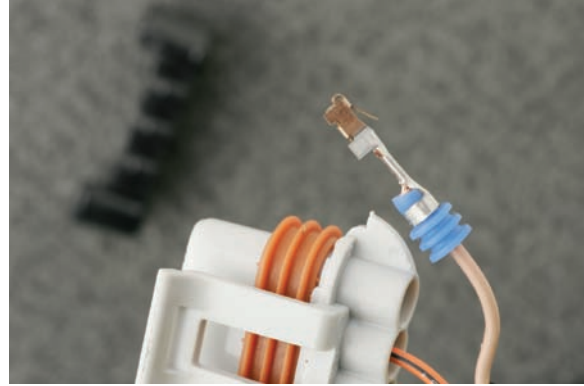
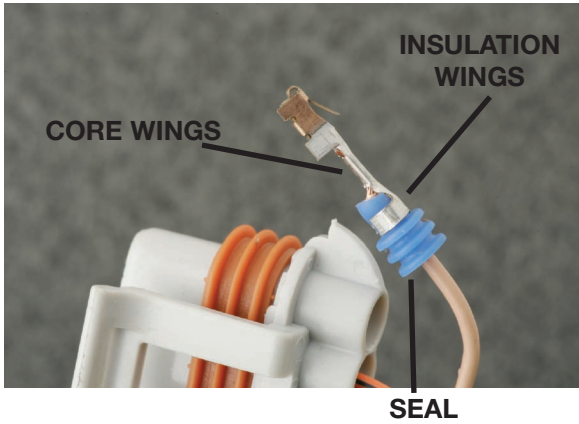


12014012-1 / J-38125-10A



# TERMINALS AND CONNECTORS

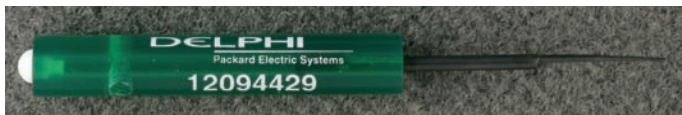
## Metri-Pack 150 Series



12085271 / J-38125-7



ENTRY CANAL



12094429 / J-38125-12A



12094429 / J-38125-12A

# TERMINALS AND CONNECTORS

## Metri-Pack 280 Series

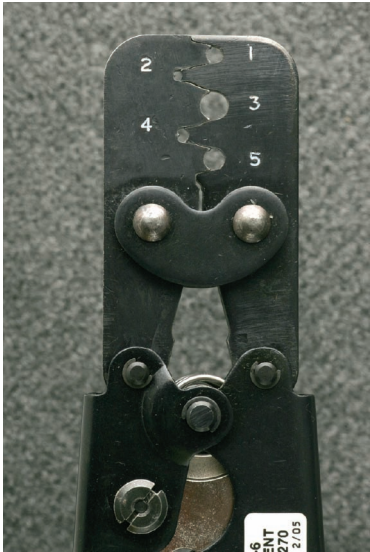
INSULATION  
WINGS



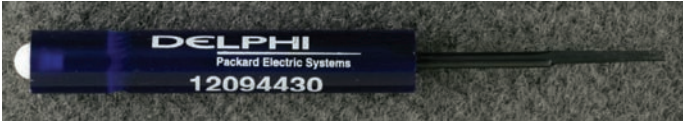
CORE WINGS



Metri-pack 280 Series Female Sealed



12085270 / J-38125-6



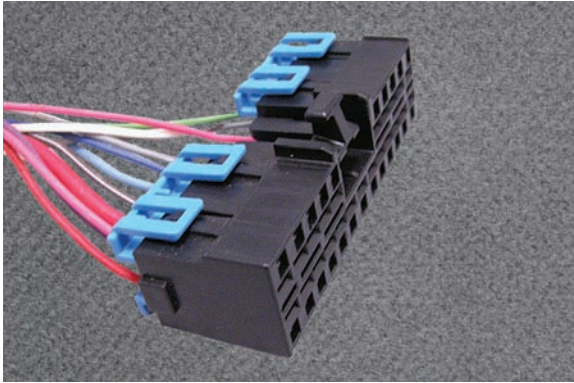
12094430 / J-38125-11A



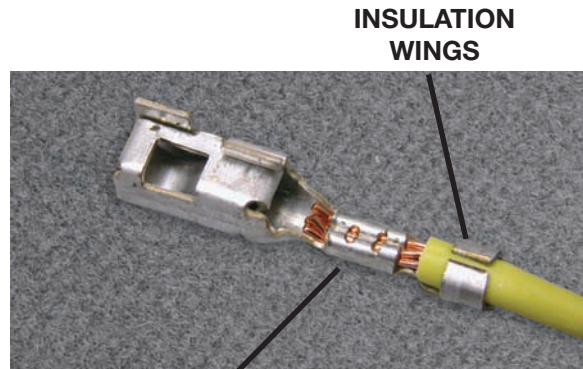


# TERMINALS AND CONNECTORS

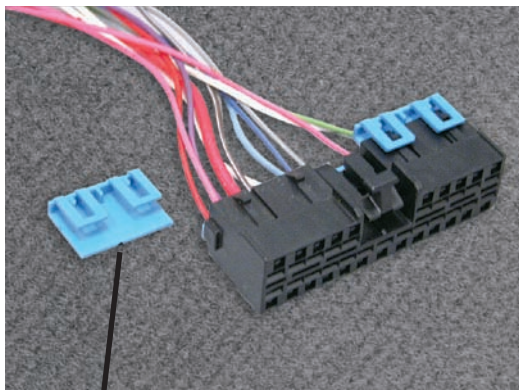
## Metri-Pack 280 Series (Tangless)



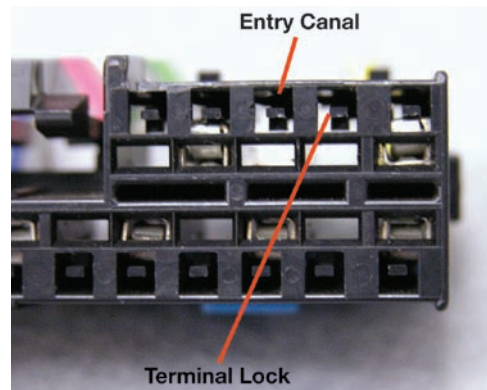
Metri-pack 280 Series Tangless



CORE WINGS

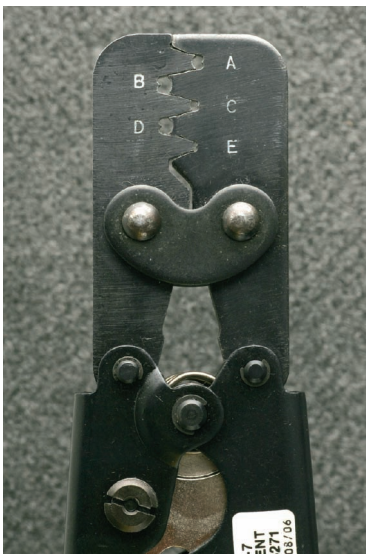


TPA



Entry Canal

Terminal Lock



12085271 / J-38125-7

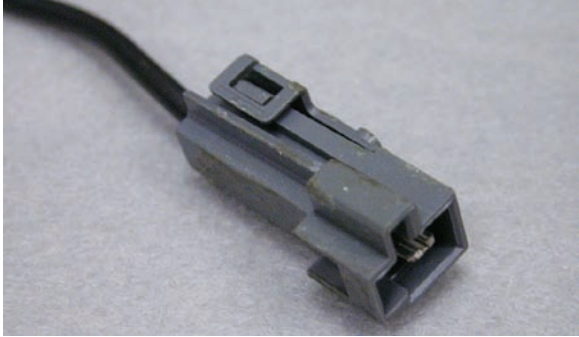


12094430 / J-38125-11A

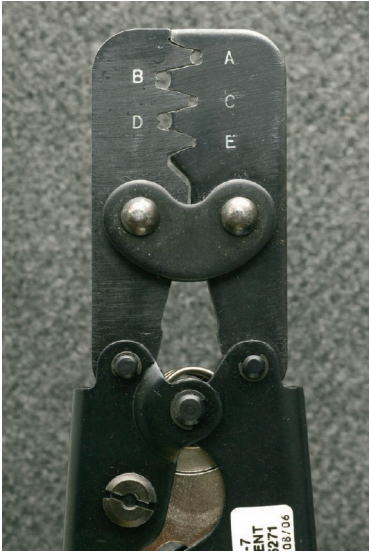
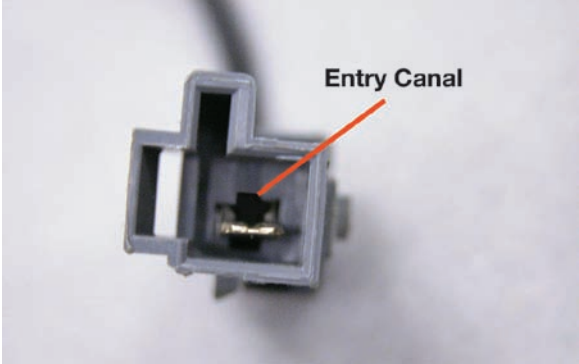
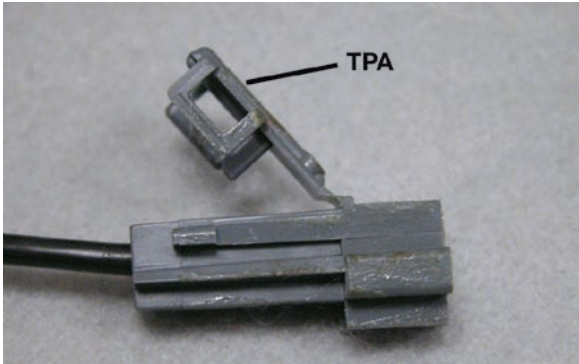
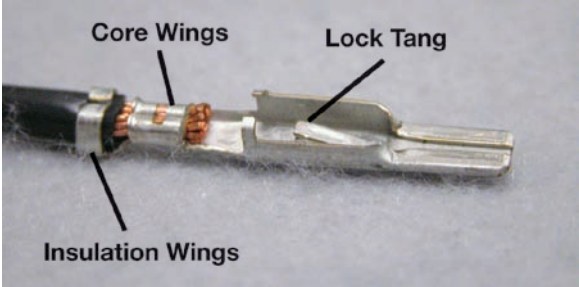


# TERMINALS AND CONNECTORS

## Metri-Pack 480 Series



Metri-pack 480 Series



12085271 / J-38125-7



12094430 / J-38125-11A



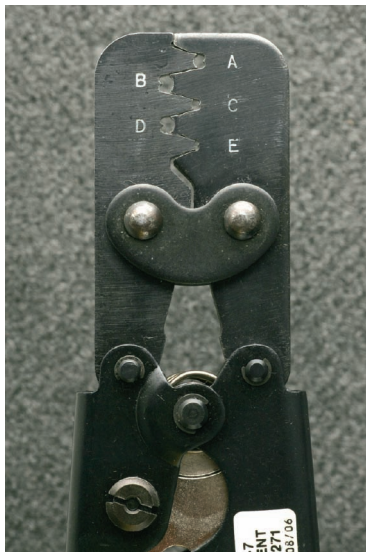
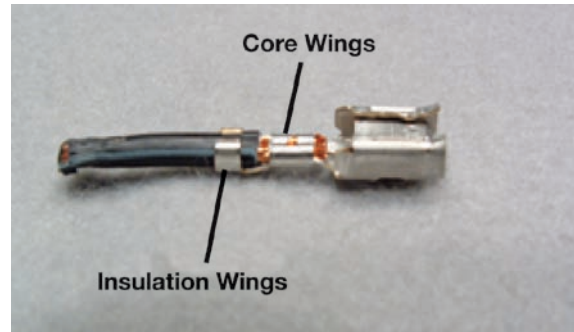


# TERMINALS AND CONNECTORS

## Metri-Pack 630 Series



Metri-pack 630 Series Female (pull to seat)



12085271 / J-38125-7

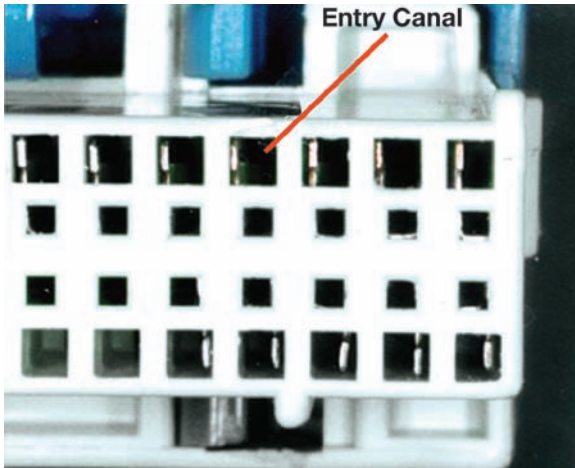


12094430 / J-38125-11A

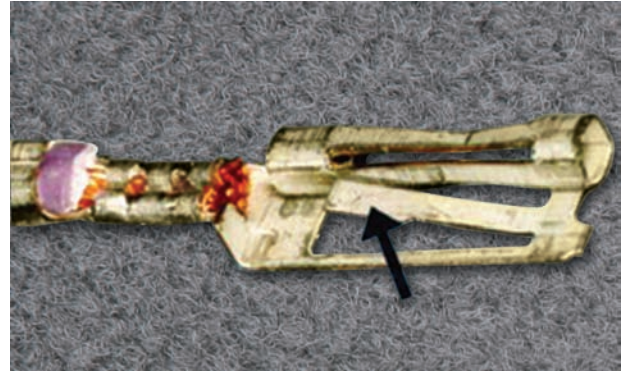


# TERMINALS AND CONNECTORS

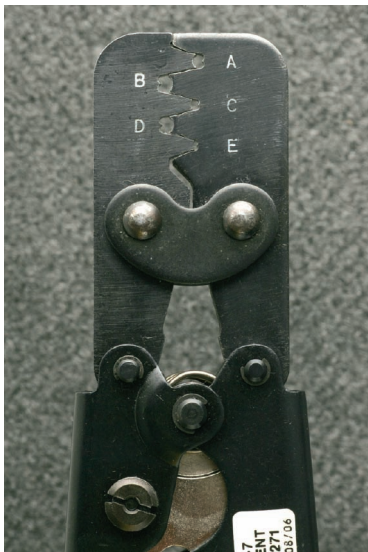
## Micro-Pack 100



M/P 100W Female



PRIMARY LOCK  
TANG



12085271 / J-38125-7



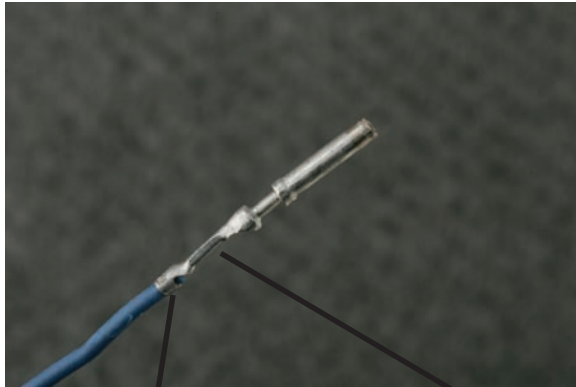
12031876-1 / J-38125-13A





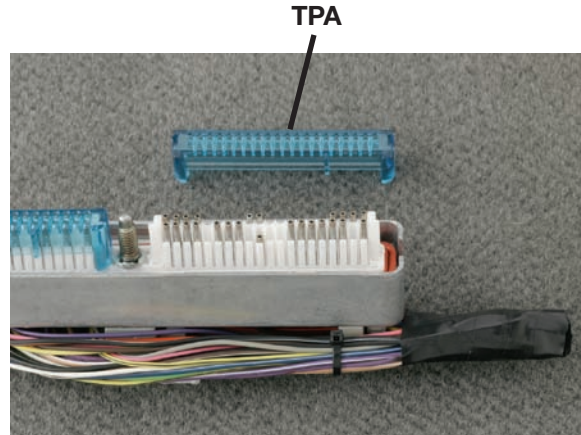
# TERMINALS AND CONNECTORS

## Micro-Pack 100W Tangless

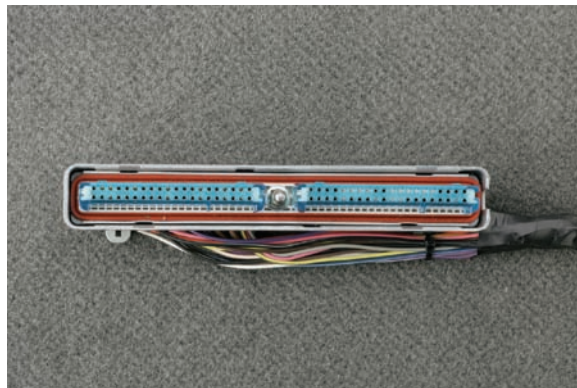


INSULATION  
WINGS

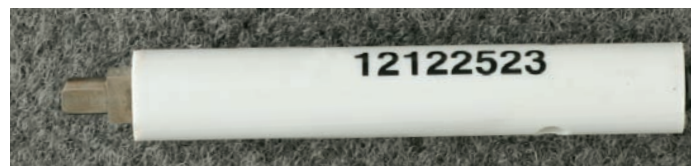
CORE WINGS



Tangless 100W Female Sealed



12125080 / J-38125-101

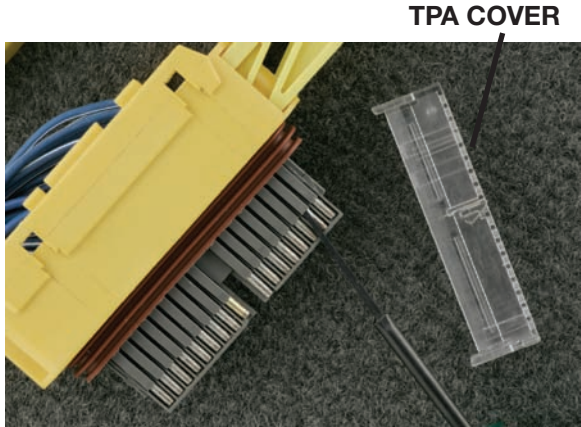
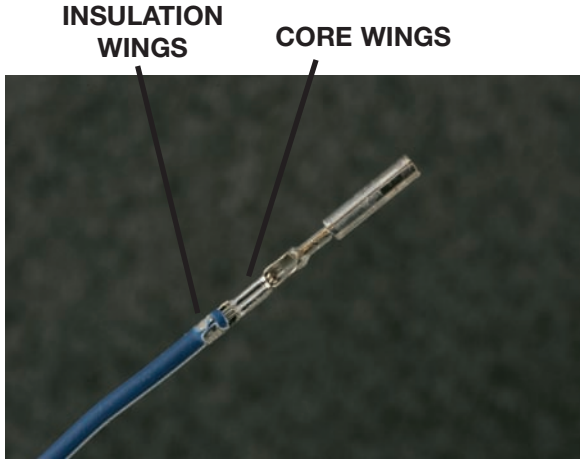


12122523 / J-38125-33



# TERMINALS AND CONNECTORS

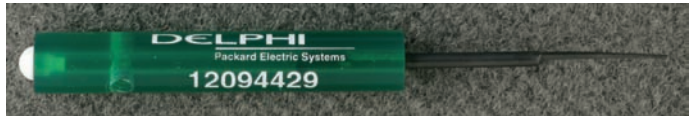
## Micro-Pack 100W Tangless (2.54mm Center Line [CL])



100W Series Female



12125080 / J-38125-101(W)



12094429 / J-38125-12A



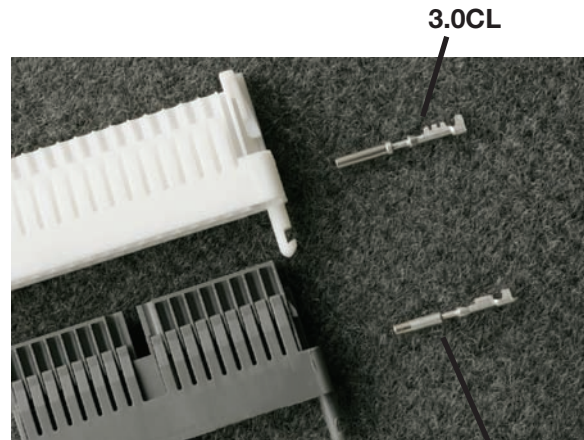


# TERMINALS AND CONNECTORS

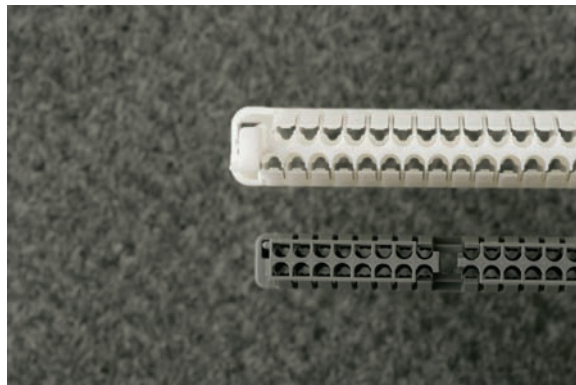
## Micro-Pack 100W Tangless Connectors/Terminals Compared



Terminals are of different lengths



2.54 CL

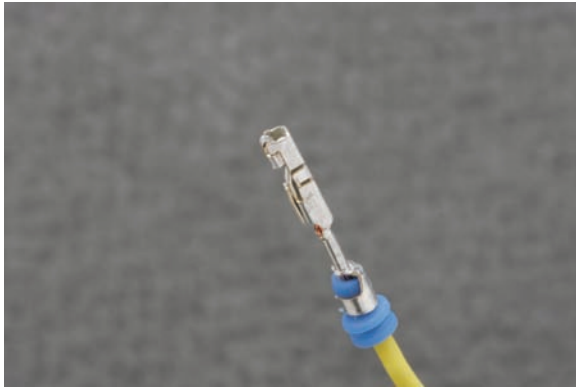


Grey TPA from 2.54mm CL Connector

# TERMINALS AND CONNECTORS

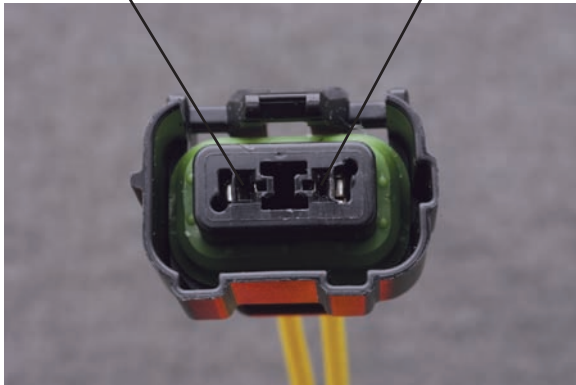
## Flexbeam

FBT Sealed Terminals



NOTE: Position of dot on tool faces away from the terminal being removed.

ENTRY CANAL                      ENTRY CANAL



12085271 / J-38125-7



12085270 / J-38125-6



J-38125-29

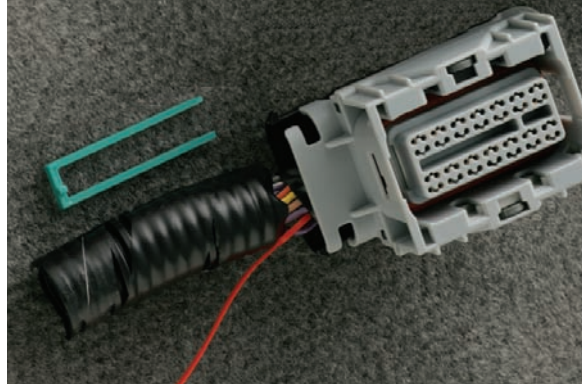
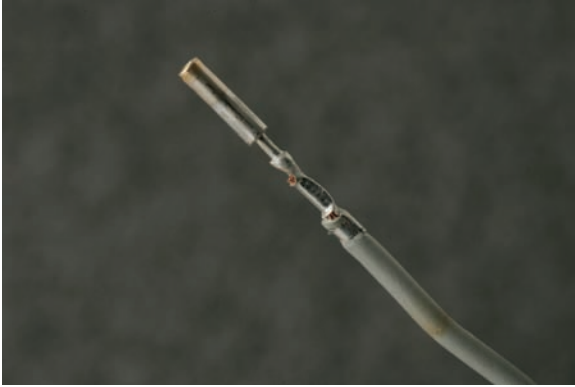


J-38125-29

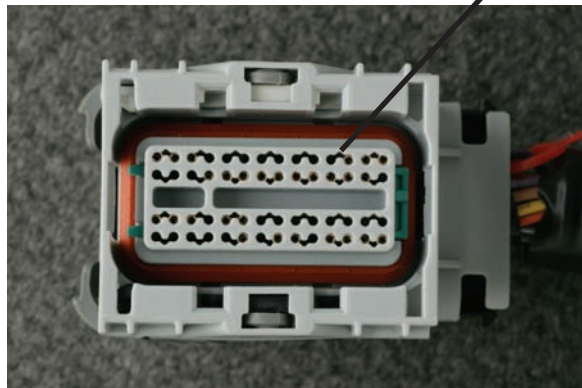
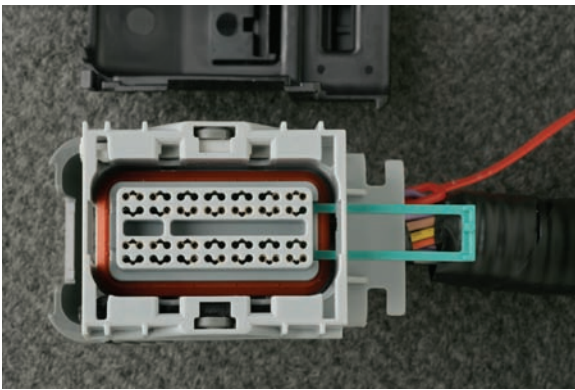


# TERMINALS AND CONNECTORS

## Micro .64



Micro .64



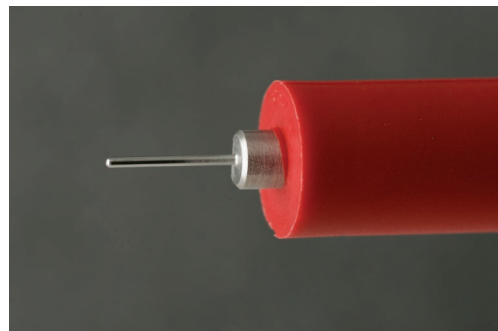
ENTRY CANAL



15397700 / J-38125-64

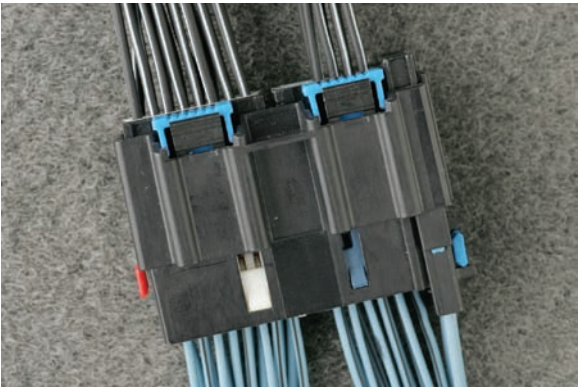
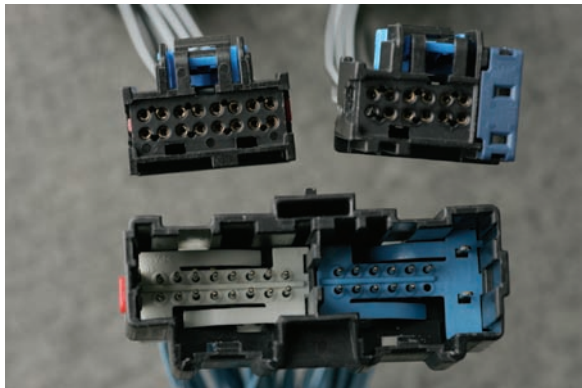
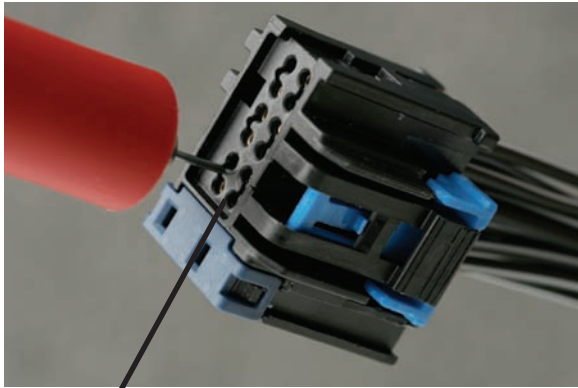
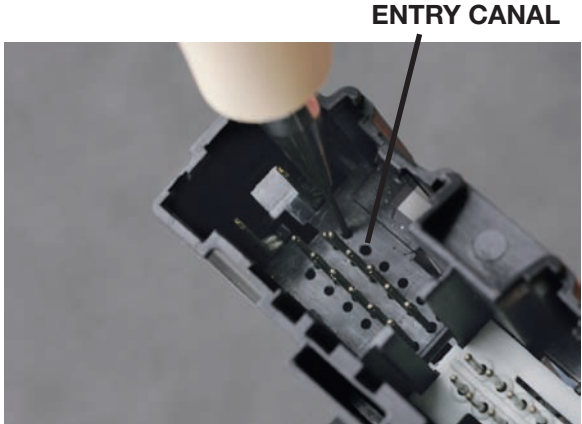
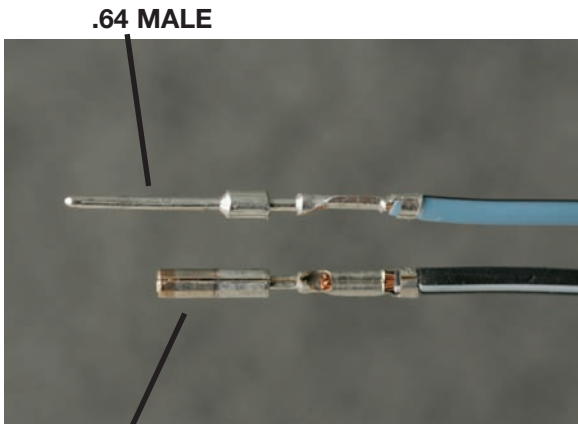


15381651-2 / J-38125-21

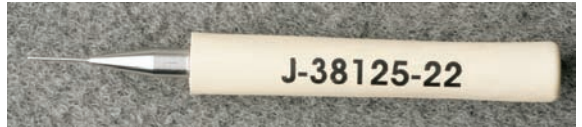


# TERMINALS AND CONNECTORS

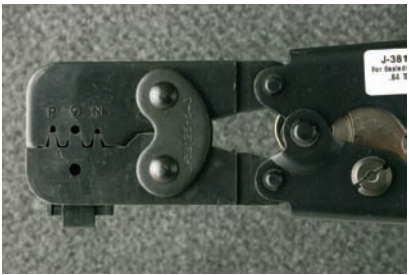
## Delphi In-Line .64 Connector System



15381651-2 / J-38125-21



15389891 / J-38125-22



J-38125-643



# TERMINALS AND CONNECTORS

## Terminal Probing

### ALWAYS USE THE CORRECT PROBE FOR TERMINAL TESTING

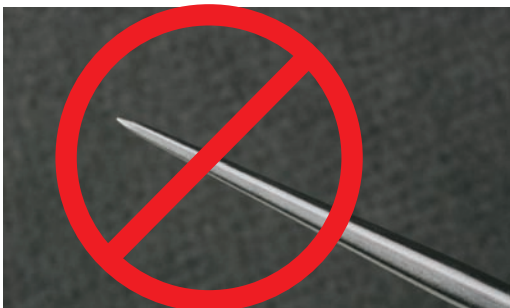
When probing a terminal for testing procedures it is imperative to use the J-35616-D Terminal Test Kit.

Not using the proper test kit probe may cause damage to the terminal(s) being probed. The terminal probes in the kit are sized to fit the various terminal sizes and shapes properly. Terminals are becoming increasingly smaller and more complex in design. Using an instrument other than the correct probe will, in most cases, cause irreversible damage to the terminal by enlarging it to the point that it will no longer mate correctly. This can lead to open circuit or intermittent concerns and the creation of a customer concerns that did not exist before testing began.

It is not recommended to use Digital Multi Meter probes directly on a terminal.

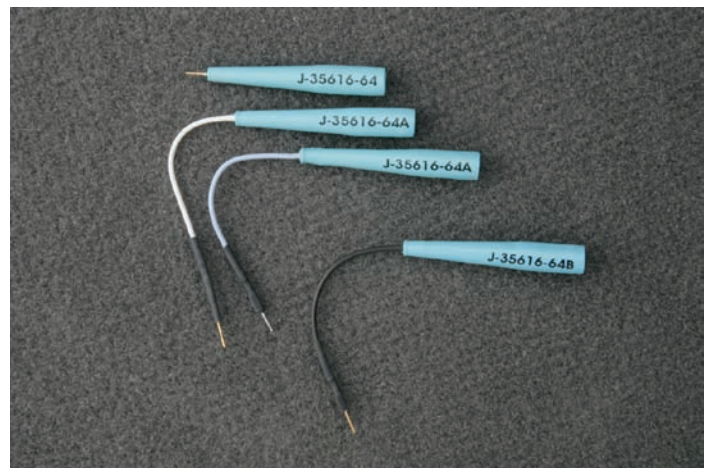


As shown above, the DMM probe is considerably larger than a typical terminal probe.



### HANDLING THE .64mm TERMINAL

The .64mm round terminal is the most prone to damage caused by incorrect probing because of its small size. The most common mistake made while testing the .64mm terminal is the use of the wrong probe. The J-35616-6 (Brown) probe is most widely mistaken for use in the .64mm terminals. The J-35616-6 probe is actually a 1.00mm probe, but from a distance looks similar in size to a .64mm probe. The correct probe for this size of terminal is the J-35616-64B.



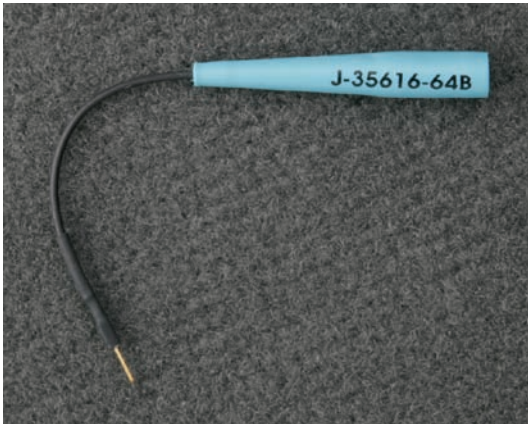
The .64mm probe has gone through a number of revisions. First was the J-35616-64, this probe was designed without a pigtail, making it too wide to allow probing of side by side terminals in the same connector. The second version was the J-35616-64A, and incorporated a white pigtail that allowed for side by side terminal probing. The third version was also J-35616-64A, which included a light blue pigtail and incorporated a more robust Male Terminal.

**ALL OF THE PREVIOUS PROBES SHOULD BE DISCARDED!**

# TERMINALS AND CONNECTORS

## Terminal Probing (continued)

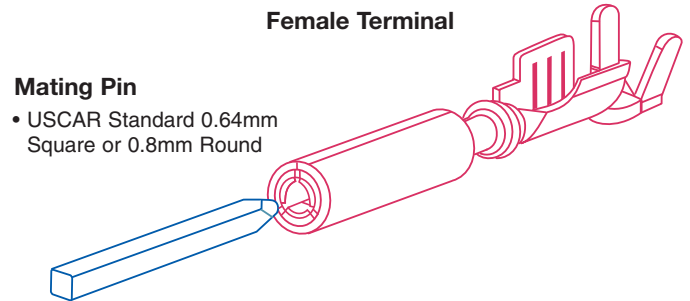
The current .64mm probe is the J-35616-64B, and can be easily identified by the Black pigtail and gold plated terminal.



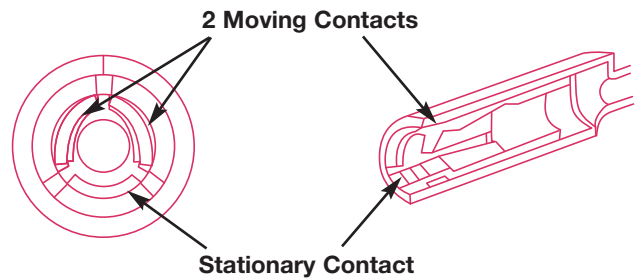
If a larger probe is used on any terminal, the terminal may be damaged beyond use. The damage may not be noticeable right away, however, when the connectors are re-connected the mating terminals may not fit together as designed. This will likely result in an open, or intermittent circuit condition. Always use the correct probe when testing a circuit at a terminal. The correct probe for any terminal can be found in the crimp matrix in this book located on pages 105-132, and in GM SI "Connector End View".



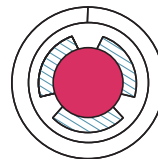
**NOTE:** Terminal damage caused by using the wrong test probe.



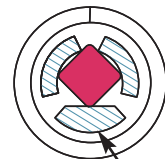
- USCAR Standard 0.64mm Square or 0.8mm Round



Standard Terminal Mated to a 0.64mm USCAR Pin

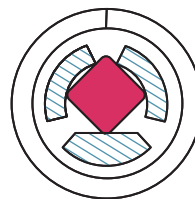


Orientation 1

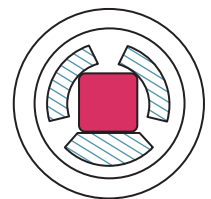


Orientation 2

Standard Terminal Mated to a 0.64mm BOSCH Pin



Orientation 1

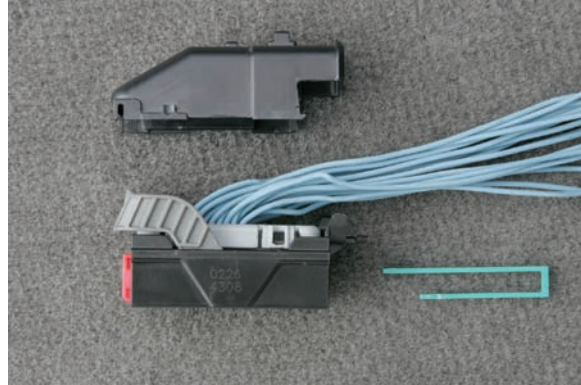
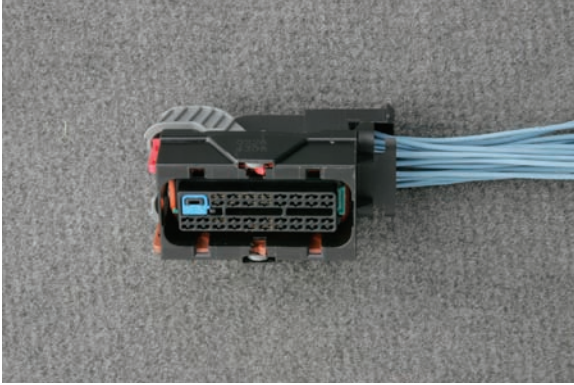


Orientation 2



# TERMINALS AND CONNECTORS

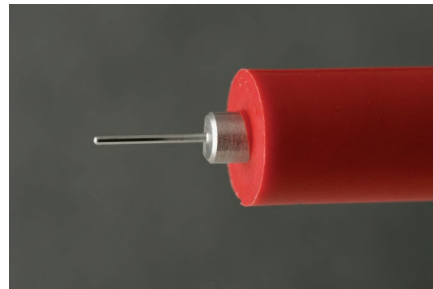
## Hybrid Connector



15397700 / J-38125-64



15381651-2 / J-38125-21

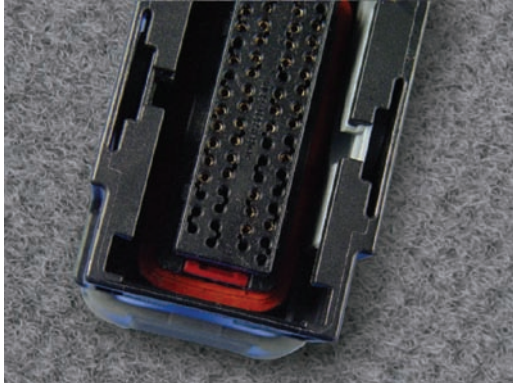


15381651-2 / J-38125-21

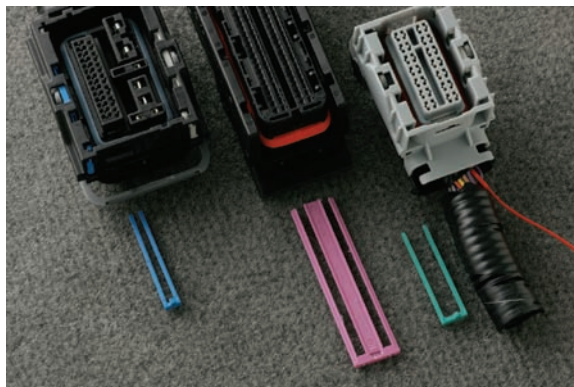
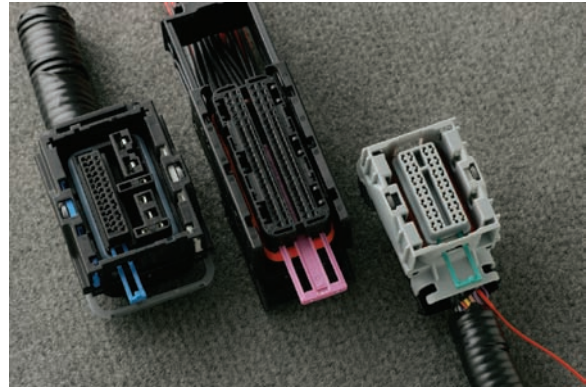
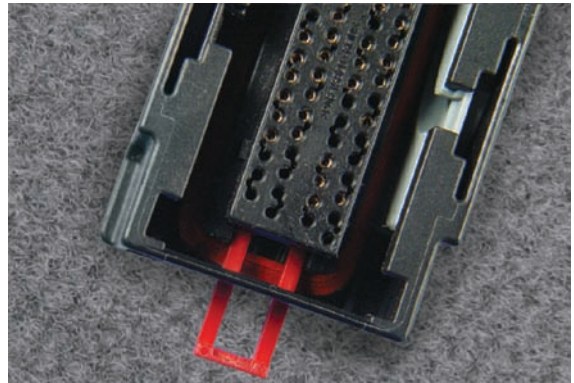
# TERMINALS AND CONNECTORS

## Comb Style TPA Handling

Both Bosch and Delphi utilize the comb style TPAs on some of the Micro .64 connectors. Handling these types of TPAs correctly is very important. If broken you can get a replacement (Delphi only) out of J-38125-605 Connector Parts Tray. If broken inside of the connector it can be very difficult to remove the pieces to remove a terminal.



Comb Style TPA in a .64 Connector





# TERMINALS AND CONNECTORS

## Empire Connectors

Empire connectors are molded using existing Delphi connector designs. Utilize a Delphi replacement connector, terminal and tools when servicing.



Note Empire logo



Empire Connector

Delphi Connector



Note Delphi logo



Empire has no entry canal

Delphi Entry Canal



TPA must be removed prior to releasing terminal

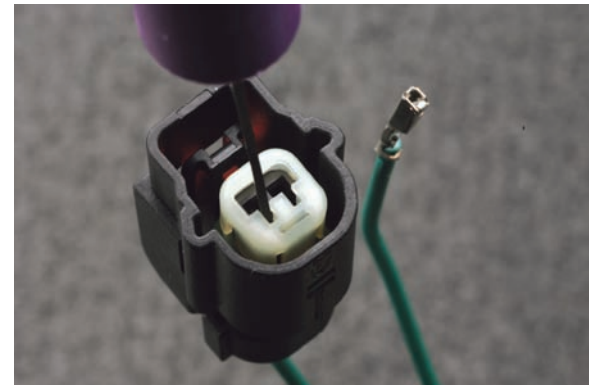


# TERMINALS AND CONNECTORS

## FCI Connectors



TPA is pulled up into the "preset" position using J-38125-216. Do not remove the TPA.



Use J-38125-215A to release terminal from connector



J-38125-643



J-38125-216



J-38125-215A





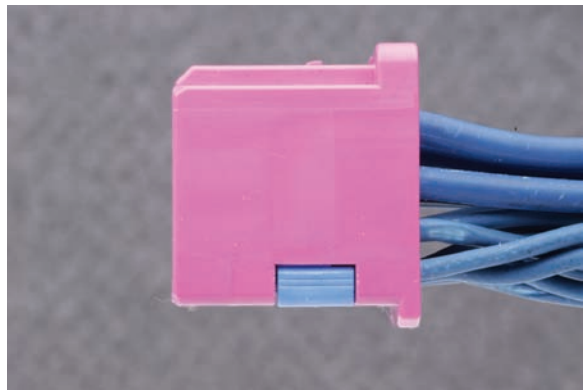
# TERMINALS AND CONNECTORS

## JST Connectors

Typical BCM Connectors

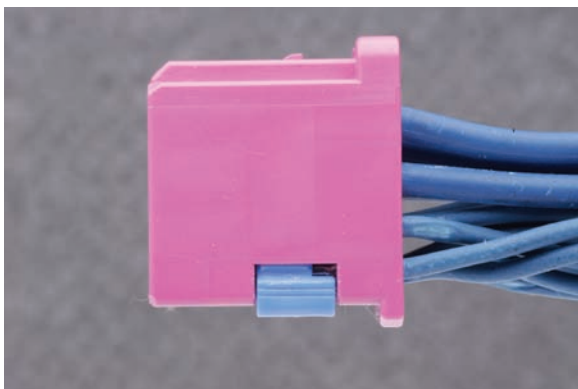


TPA locked



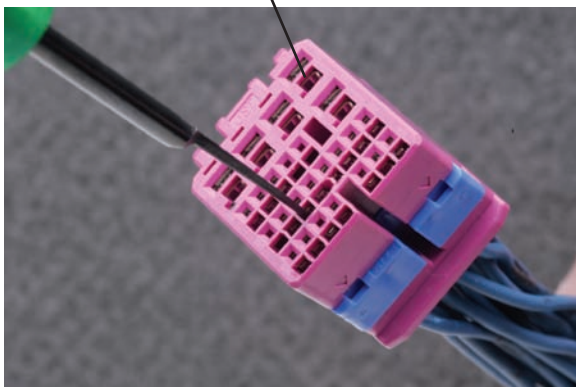
ENTRY CANAL

ENTRY CANAL

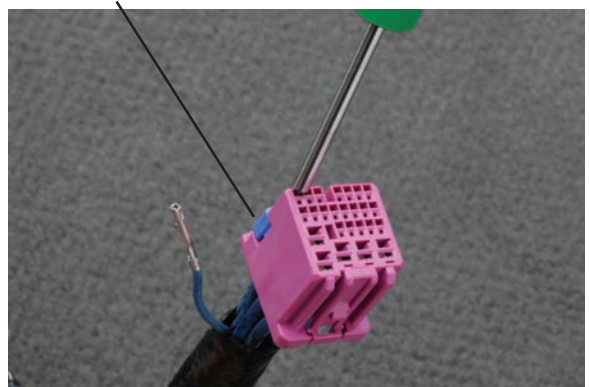


TPA in "staged" position

ENTRY CANAL



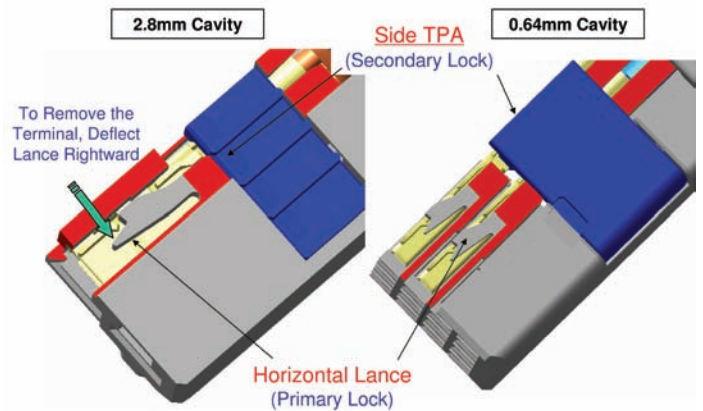
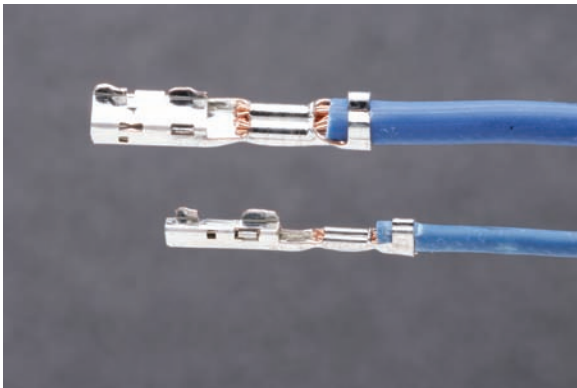
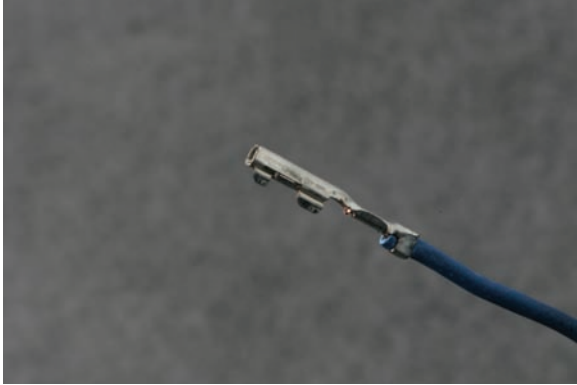
NOTE: TPA in staged position. TPA lifted approximately 1/16" prior to terminal being removed



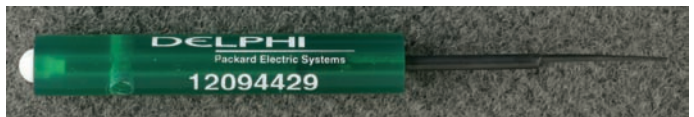
Terminal removed from connector

# TERMINALS AND CONNECTORS

## JST Connectors cont.



12085271 / J-38125-7



12094429 / J-38125-12A





# TERMINALS AND CONNECTORS

## Kostal Connectors



12085271 / J-38125-7



12085270 / J-38125-6



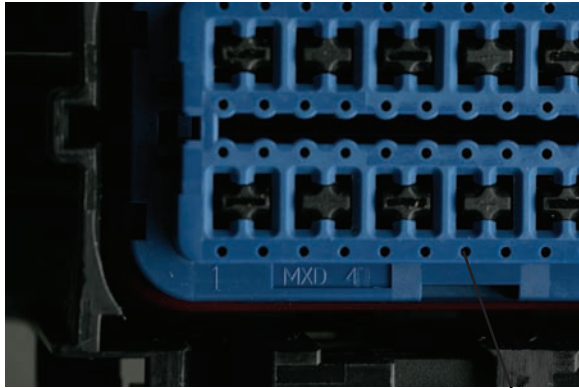
J-38125-28



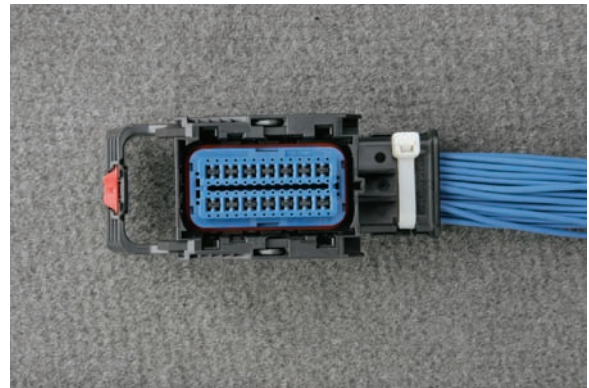
J-38125-28

# TERMINALS AND CONNECTORS

## Molex Connectors



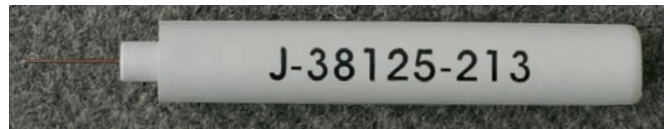
ENTRY CANAL



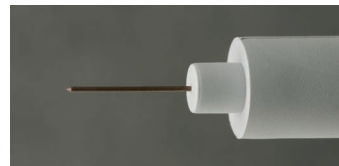
TPA must be pulled up into its staged position to allow terminal removal.



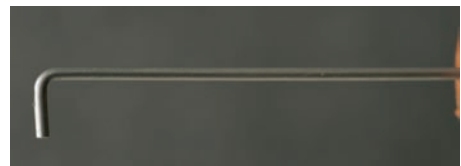
J-38125-641



J-38125-213



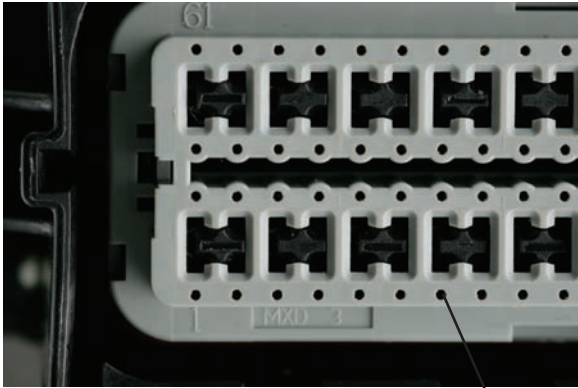
J-38125-216



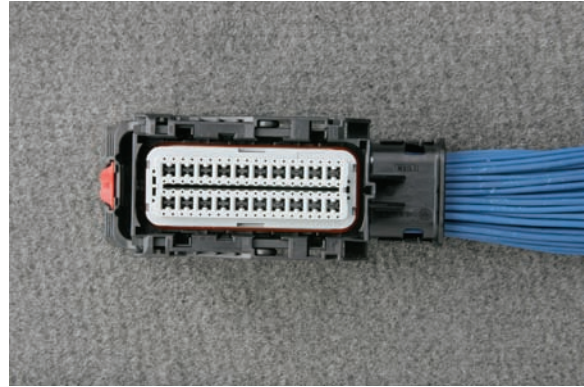


# TERMINALS AND CONNECTORS

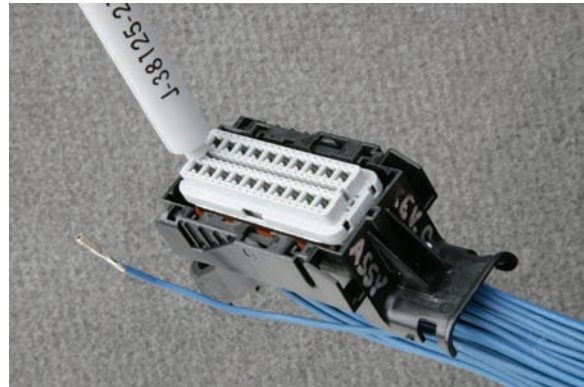
## Molex Connectors (continued)



ENTRY CANAL



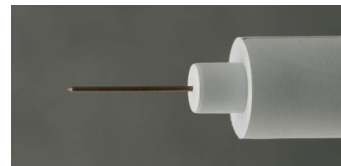
TPA must be pulled up into its staged position to allow terminal removal.



J-38125-641



J-38125-213



J-38125-216

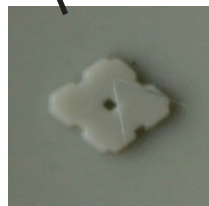
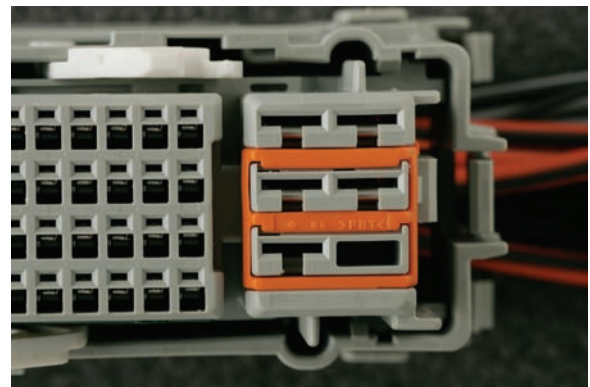


# TERMINALS AND CONNECTORS

## Sumitomo

### Sumitomo Connector Identification

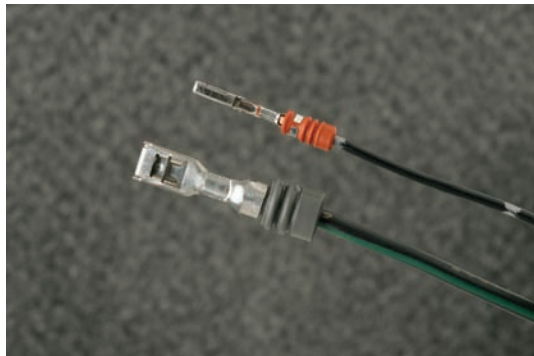
Sumitomo connectors can be identified by the Sumitomo TM symbol molded into all Sumitomo connectors.





# TERMINALS AND CONNECTORS

## ABS Connector



.500 and .64 Terminals



ENTRY CANAL



TPA



Hybrid (2-different size terminals) ABS Connector



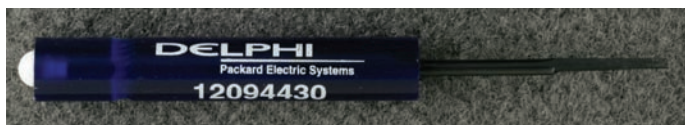
J-38125-642



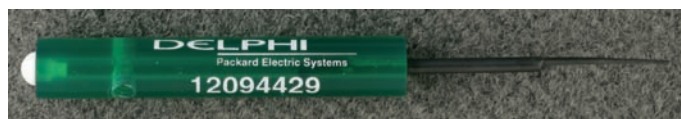
12085270 / J-38125-6



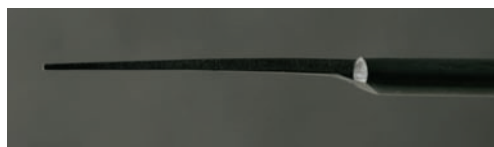
12085271 / J-38125-7



12094430 / J-38125-11A



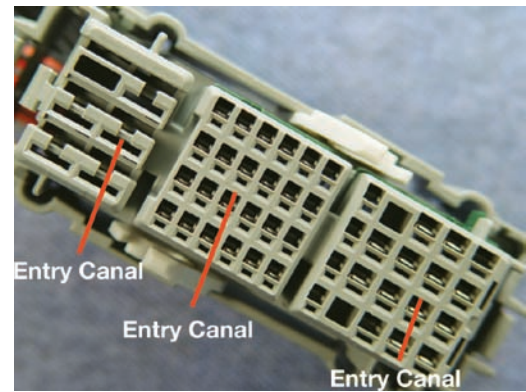
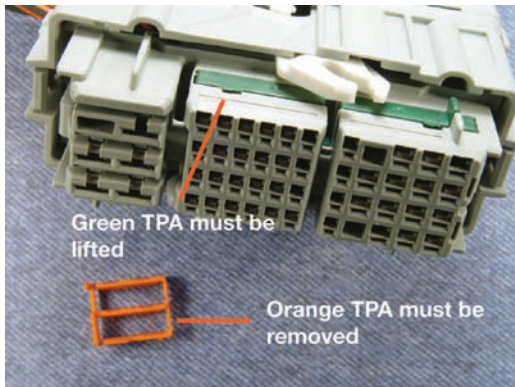
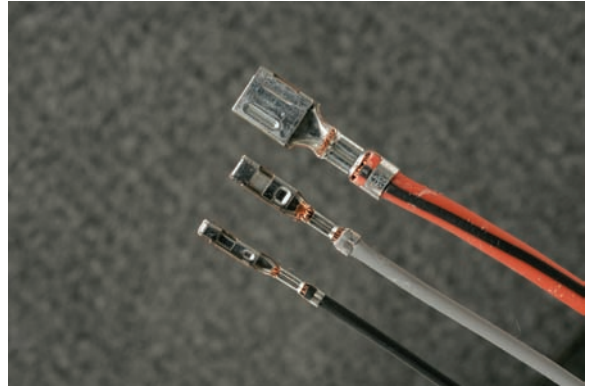
12094429 / J-38125-12A



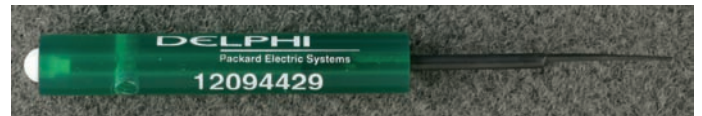


# TERMINALS AND CONNECTORS

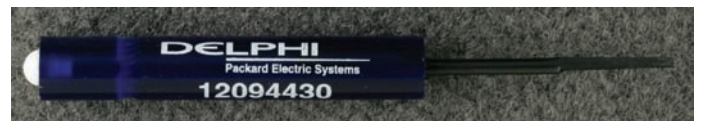
## Bussed Electrical Center (BEC) Connector



12085271 / J-38125-7



12094429 / J-38125-12A



12094430 / J-38125-11A



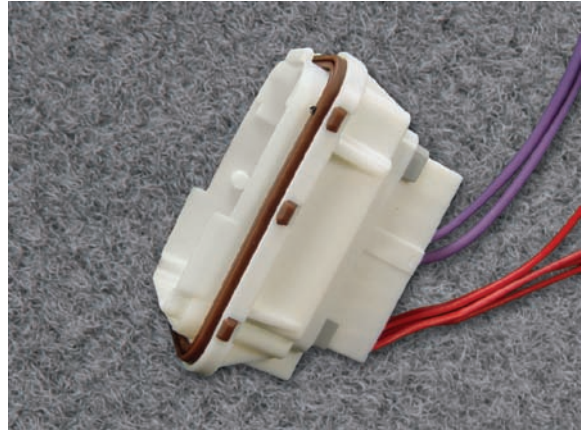


# TERMINALS AND CONNECTORS

## Door Connector



Pillar Half

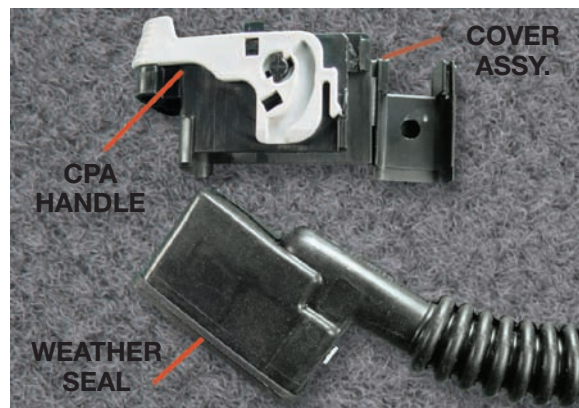


Door Half

Both have hybrid multiple size terminals 280 and 150.



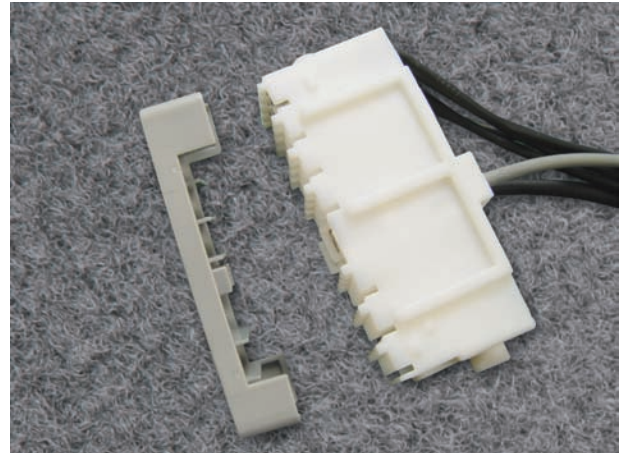
Remove cover for access to cable and rear of connector.



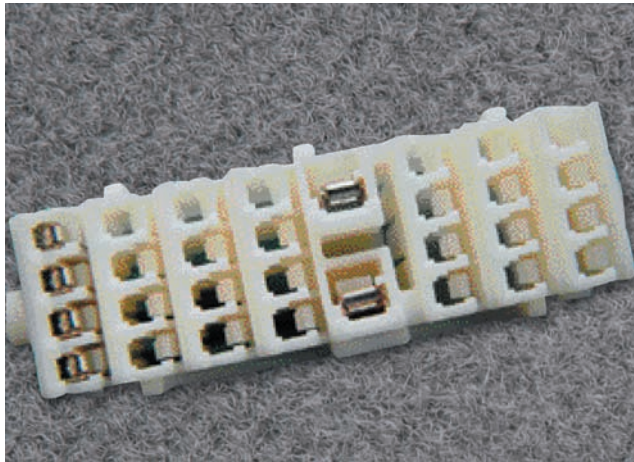


# TERMINALS AND CONNECTORS

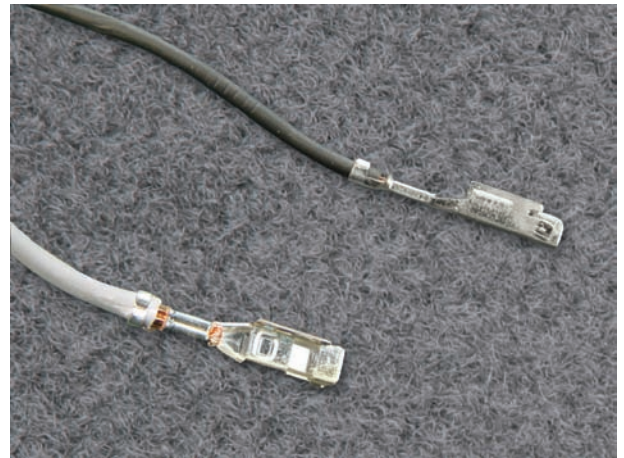
## Door Connector (continued)



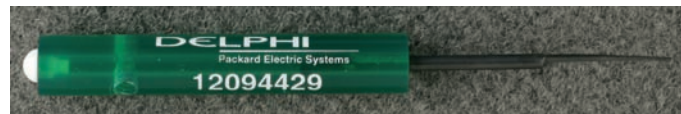
Pull TPA to remove



Use release tool to pry terminal lock tang away from terminal to release.



Hybrid Terminals



12094429 / J-38125-12A



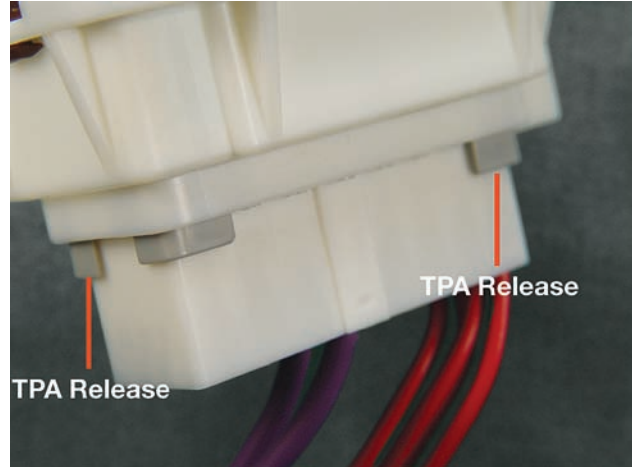


# TERMINALS AND CONNECTORS

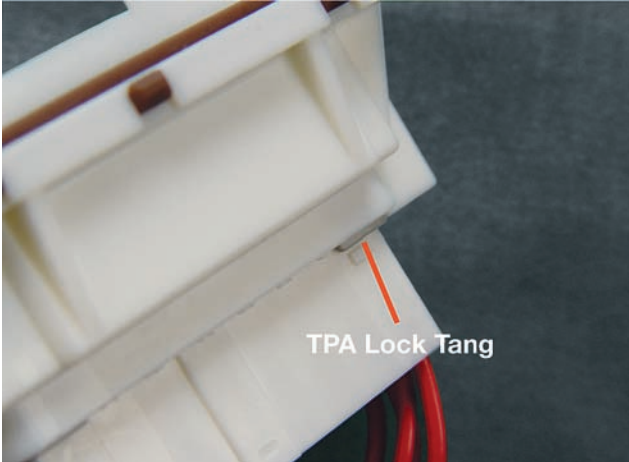
## Door Connector (continued)



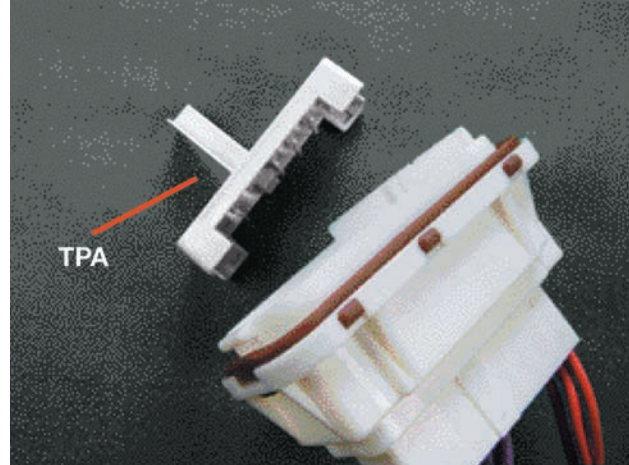
Connector half houses male terminals.



Push up on opposite corners of TPA to rock it loose and remove.

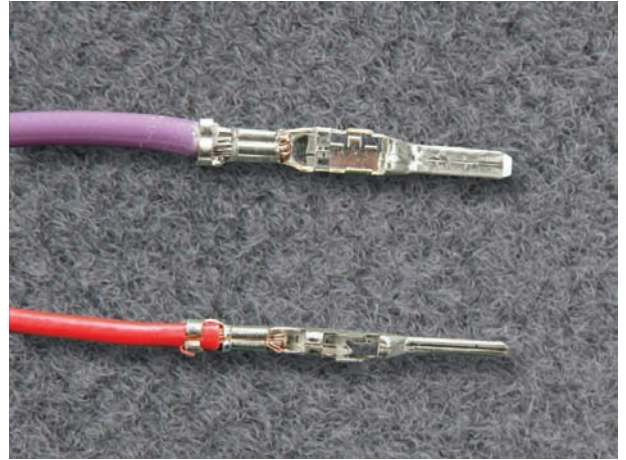
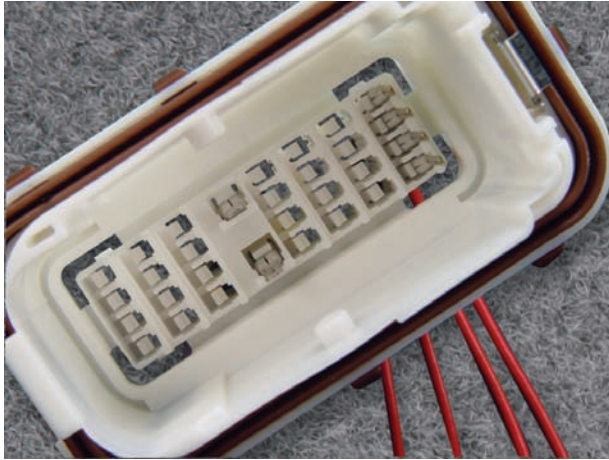


TPA lock tangs located on opposing corners.



# TERMINALS AND CONNECTORS

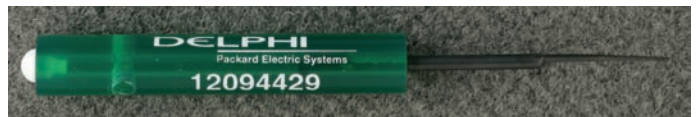
## Door Connector (continued)



280 Terminal



12085271 / J-38125-7



12094429 / J-38125-12A



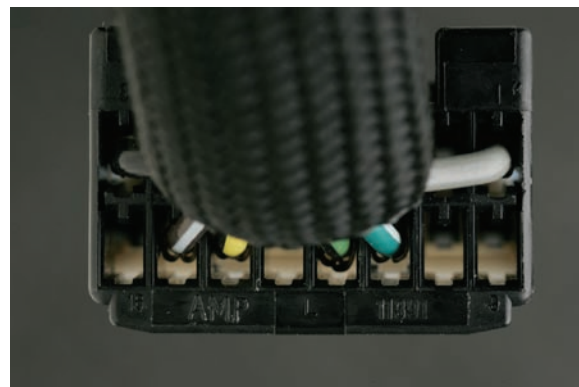


# TERMINALS AND CONNECTORS

## Tyco Connectors

### Tyco Connector Identification

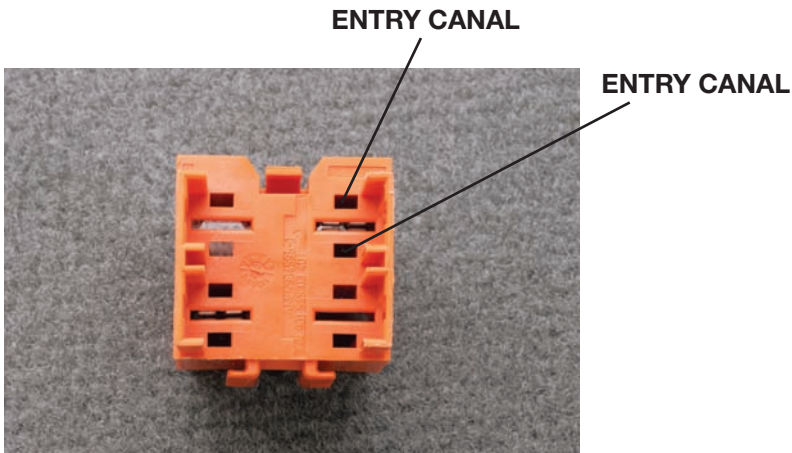
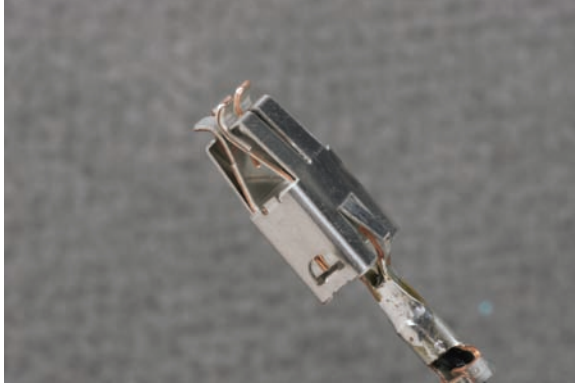
The name tyco or Amp can be found molded into the body of the connector or on the TPA.





# TERMINALS AND CONNECTORS

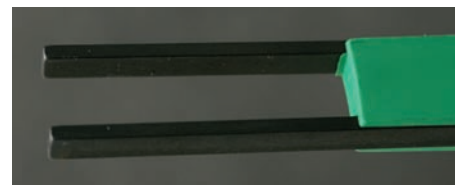
## Tyco JPT Connector



12085271 / J-38125-7

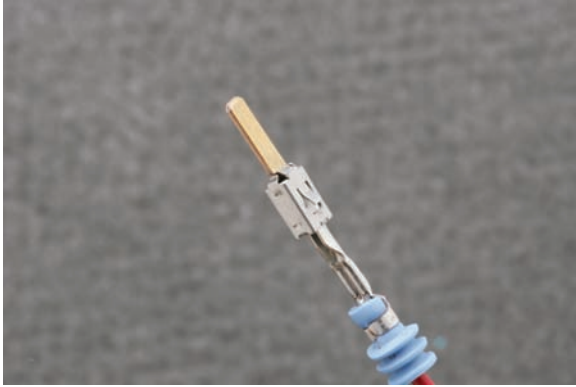


J-38125-221



# TERMINALS AND CONNECTORS

## Tyco Connector



ENTRY CANAL



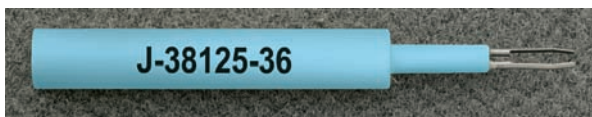
ENTRY CANAL



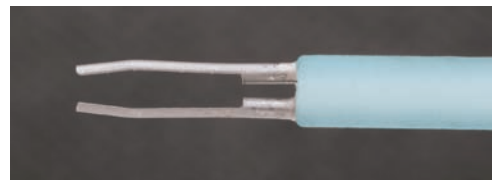
12085271 / J-38125-7



12085270 / J-38125-6



J-38125-36

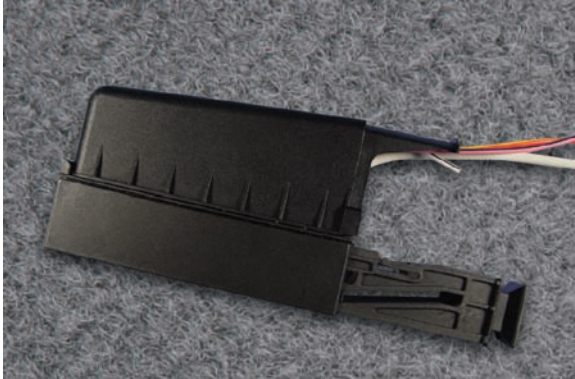


J-38125-36

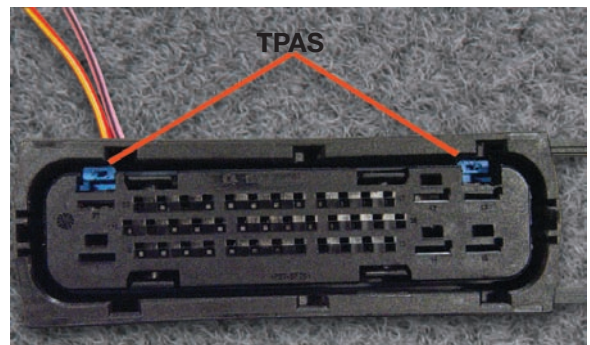
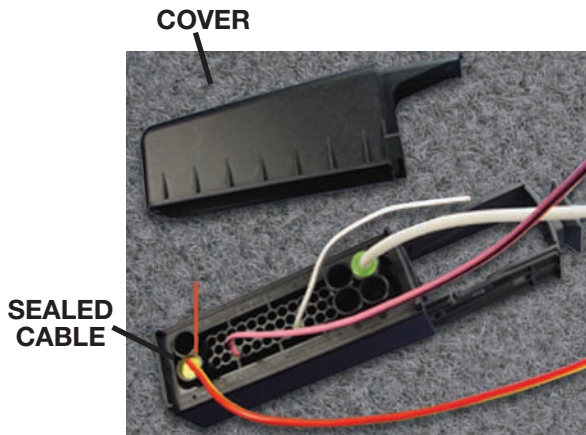
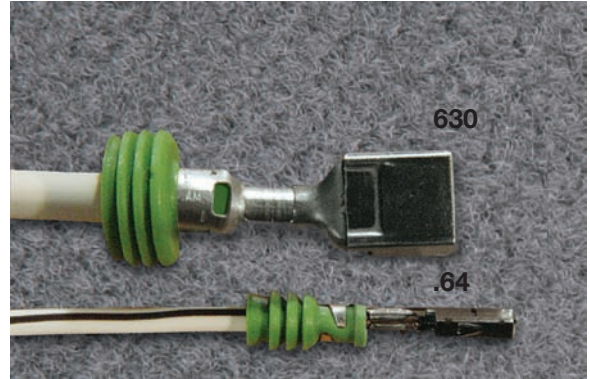


# TERMINALS AND CONNECTORS

## Tyco Hybrid Connector



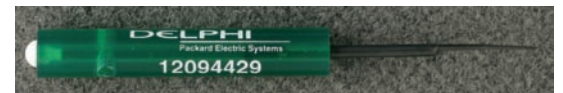
Hybrid Connector  
630 and .64mm terminals.



Both TPAs (blue) must be pryed up to release terminals.



12094430 / J-38125-11A



12094429 / J-38125-12A



J-38125-642



12085270 / J-38125-6

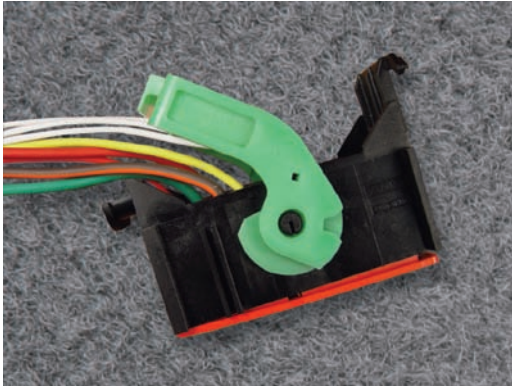


12085271 / J-38125-7

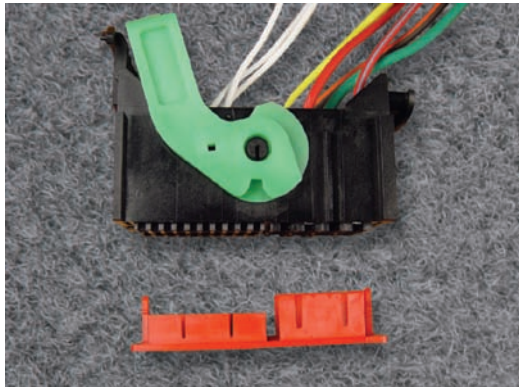
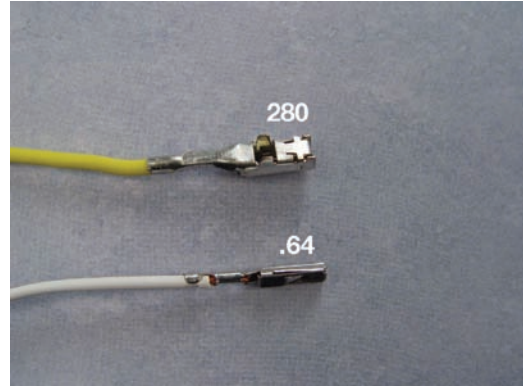


# TERMINALS AND CONNECTORS

## Tyco Hybrid Connector w/Lever CPA

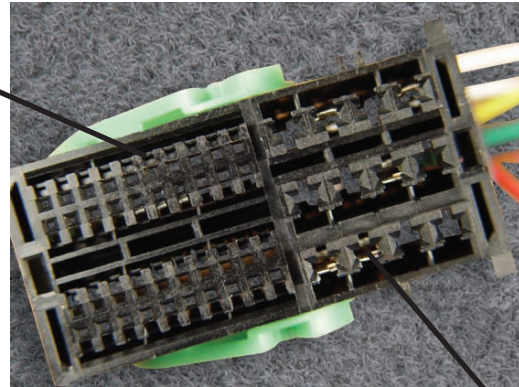


Hybrid Connector  
(cover is missing in pic)



TPA must be fully removed  
to remove terminals

RELEASE  
TOOL  
ACCESS



RELEASE  
TOOL  
ACCESS



J-38125-641



12085271 / J-38125-7



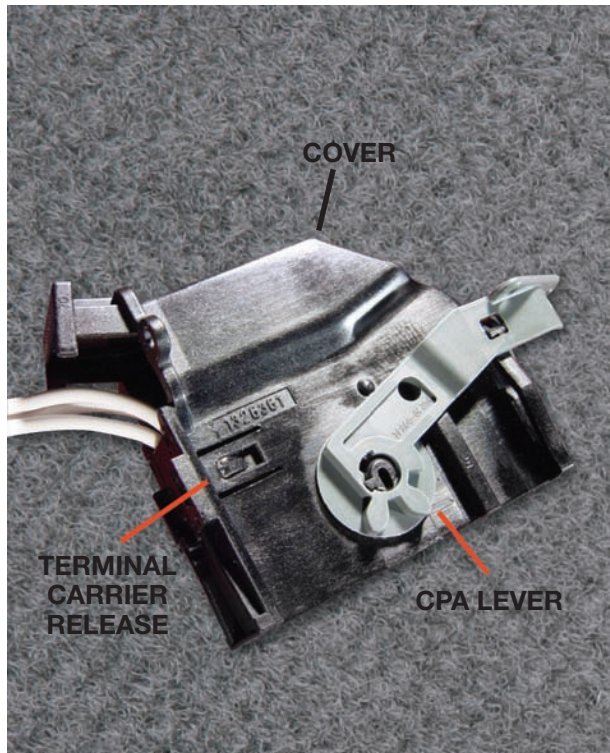
15315247 / J-38125-553



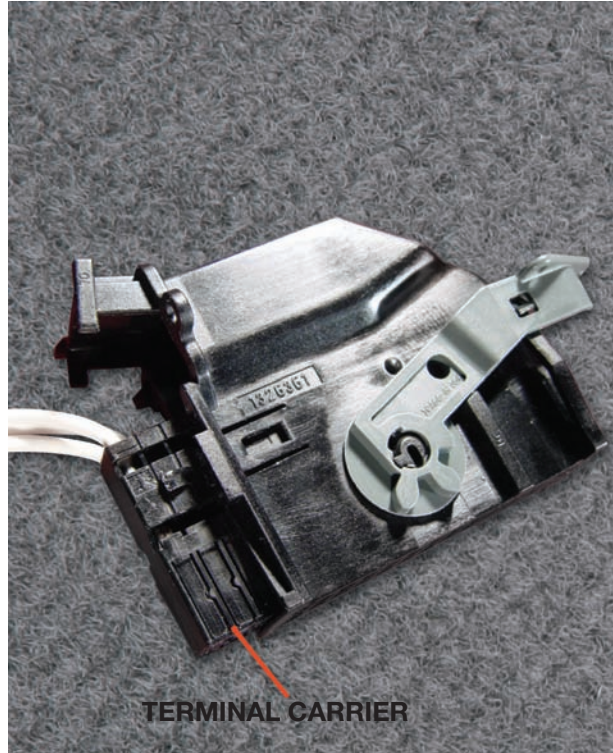


# TERMINALS AND CONNECTORS

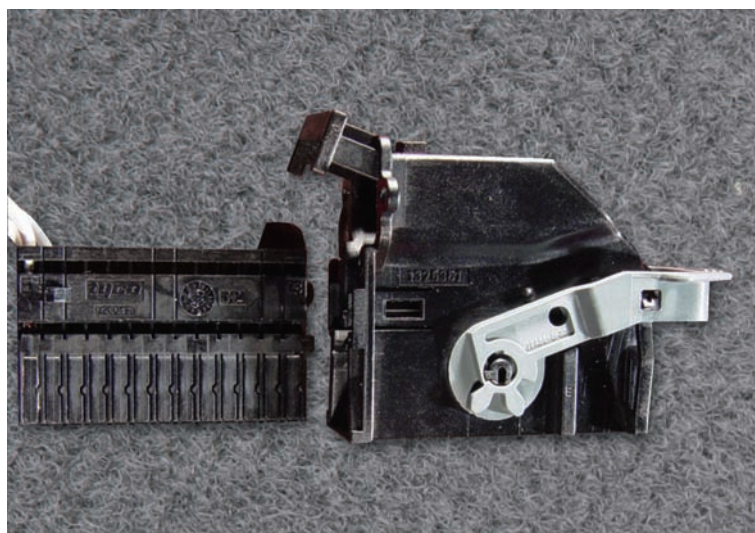
## Lever Assisted Connector



Connector with lever actuated CPA.



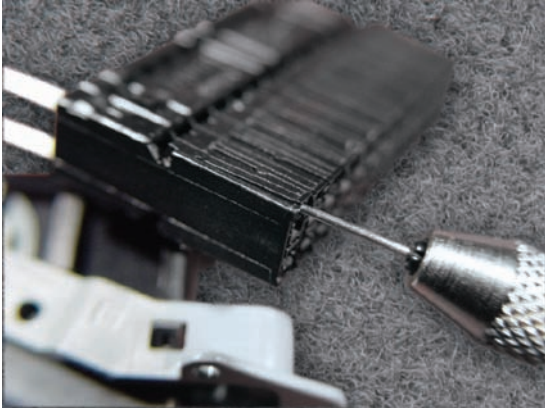
Once released the terminal carrier slides out from the rear of the connector.



The terminal carrier must be removed to disengage and remove the terminals.

# TERMINALS AND CONNECTORS

## Lever Assisted Connector (continued)



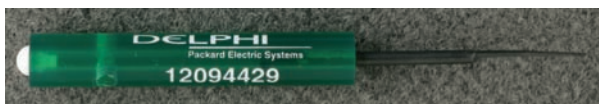
Lifting on the terminal lock tang releases the terminal



.64



J-38125-641



12094429 / J-38125-12A

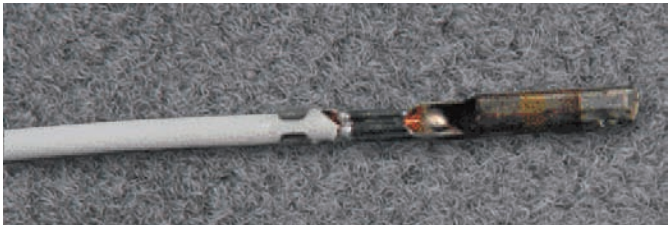
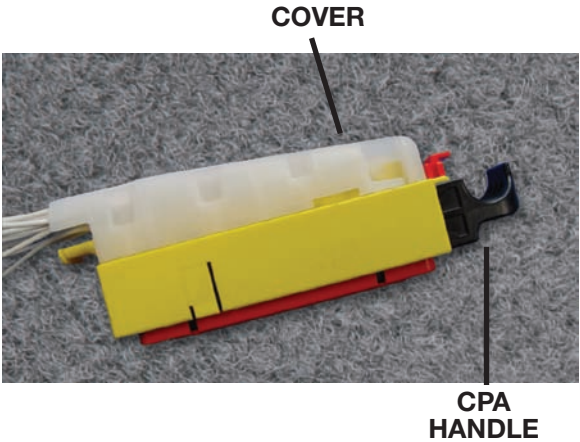


12094429 / J-38125-12A

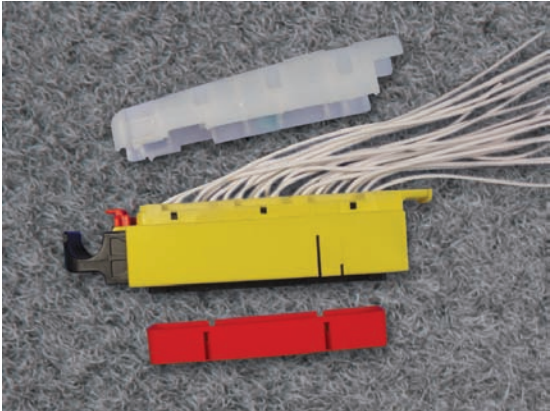


# TERMINALS AND CONNECTORS

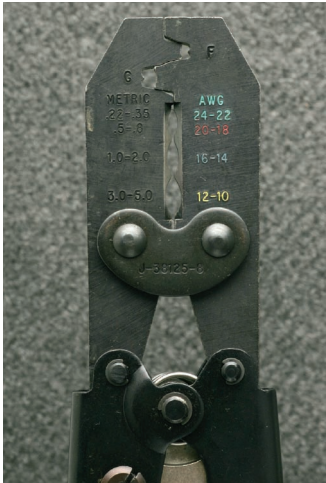
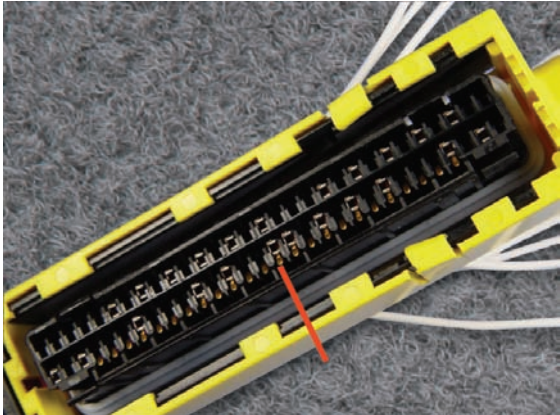
## SDM Connector



Terminal and cable come as a terminated lead which is spliced into the harness.



TPA is completely removed to access terminals.



12085115 / J-38125-8

Crimp and seal splice is used to apply terminated lead.

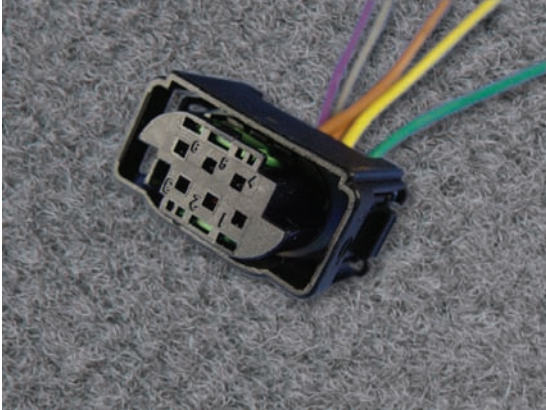


15315247 / J-38125-553

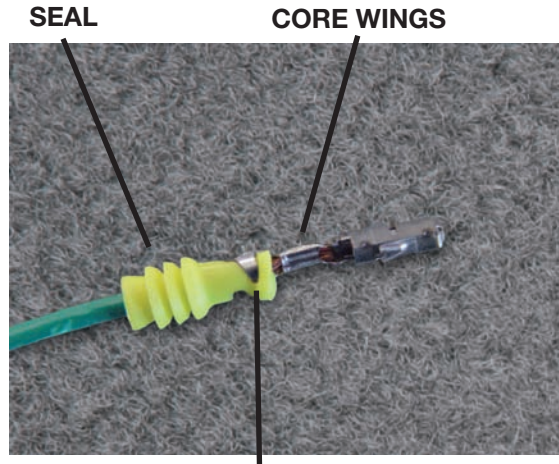


# TERMINALS AND CONNECTORS

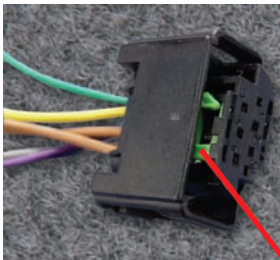
## 6-way Connector



6-way Connector



INSULATION WINGS

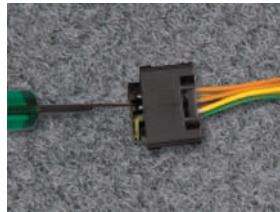


TPA in Locked Position

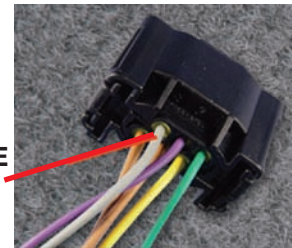
TPA



TPA in Open Position



Push in on the lock tab to remove terminal.

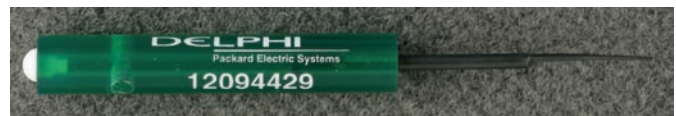


CABLE SEAL

NOTE: There is one TPA on each side of the connector. Both must be closed for the connector to be installed.



J-38125-642



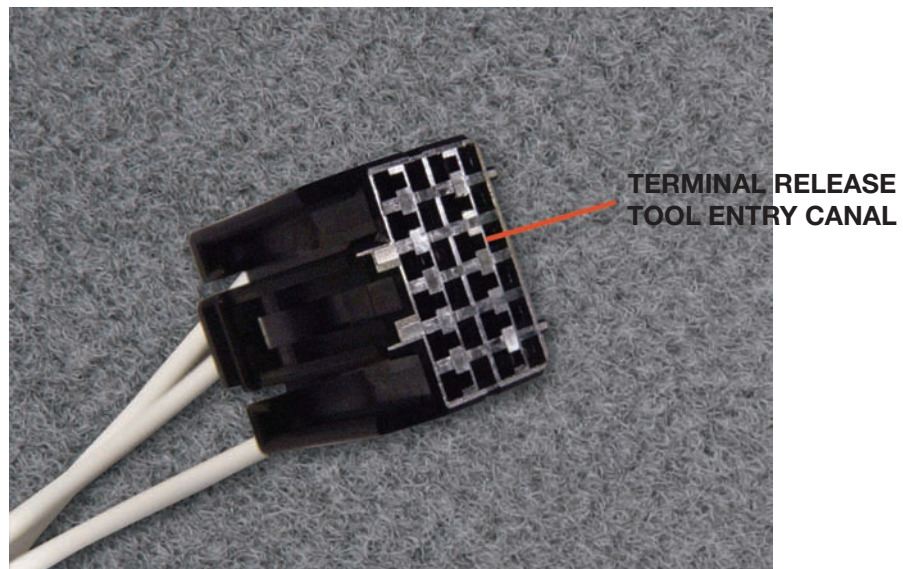
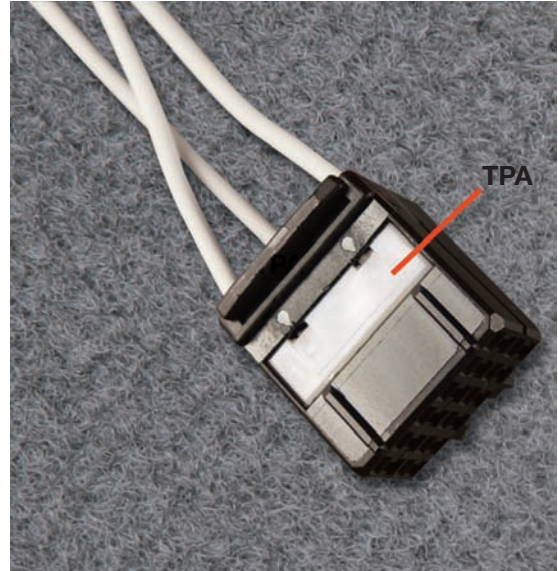
12094429 / J-38125-12A





# TERMINALS AND CONNECTORS

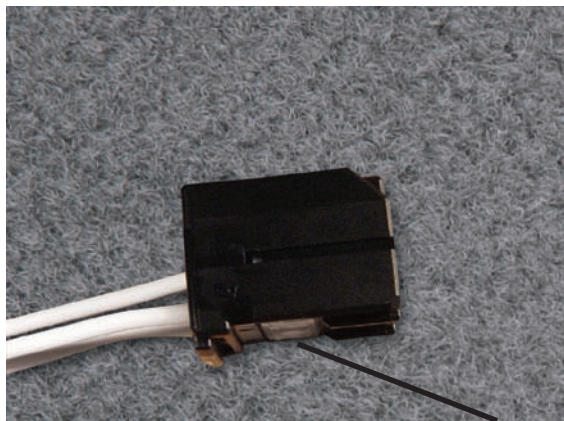
## Side Load TPA





# TERMINALS AND CONNECTORS

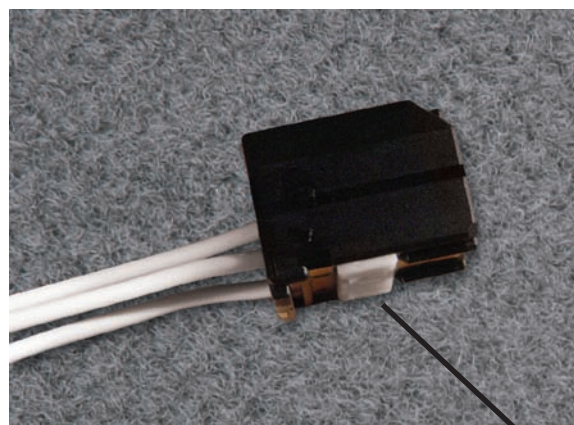
## Side Load TPA (continued)



TPA in locked position **TPA**



.64



TPA in released position, terminals can be removed **TPA**



J-38125-641



15315247 / J-38125-553

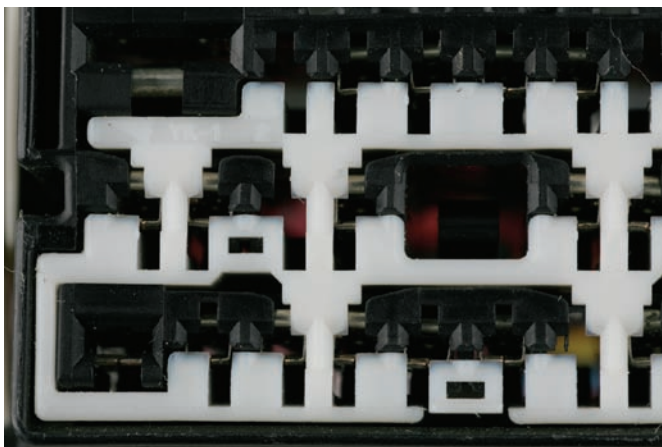
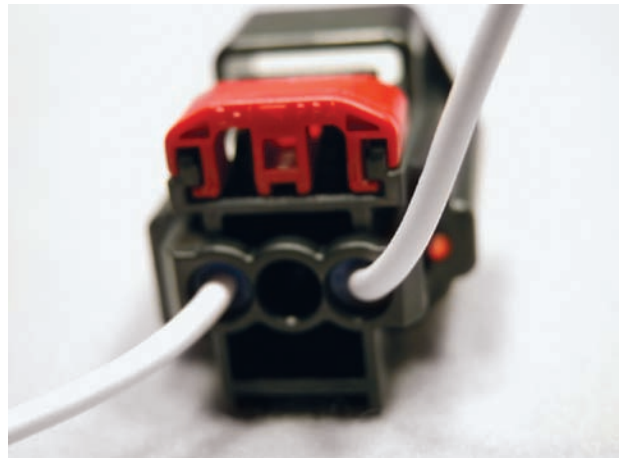
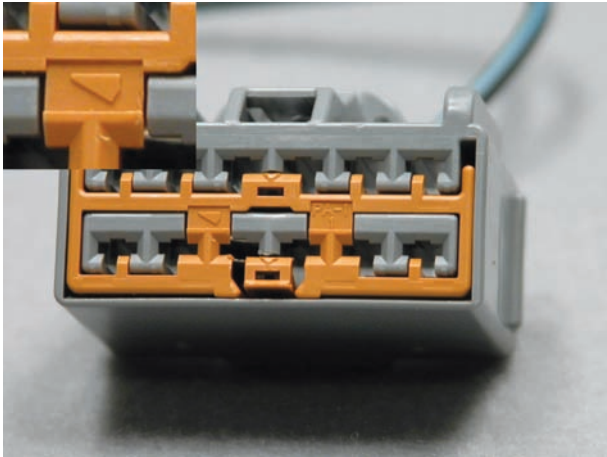


# TERMINALS AND CONNECTORS

## Yazaki

### Yazaki Connector Identification

Yazaki connectors can be identified by the Yazaki TM symbol that is molded into all Yazaki connectors or a connector's accompanying TPA.





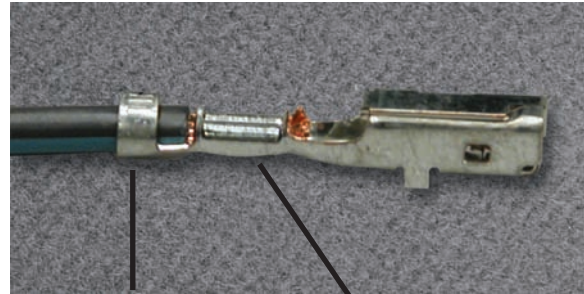
# TERMINALS AND CONNECTORS

## Type 1 Connectors

Yazaki connectors are designated by the type of Terminal Position Assurance (TPA) they utilize. There are three versions of connectors currently used by GM. Type 1 which uses a front loading TPA, type 2 which uses a side loaded TPA and type 3 which uses a locking device at the rear of the connector.



280 YESc Unsealed Female



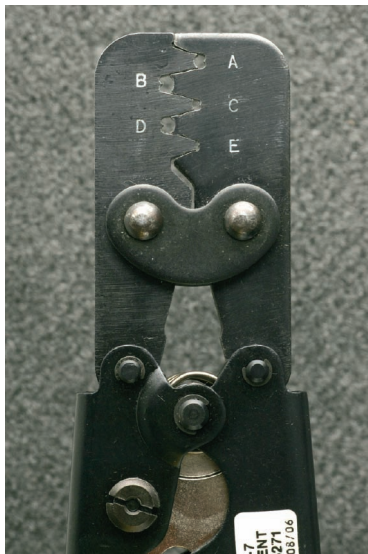
INSULATION  
WINGS

CORE  
WINGS



ENTRY  
CANAL

TPA



12085271 / J-38125-7



12094430 / J-38125-11A

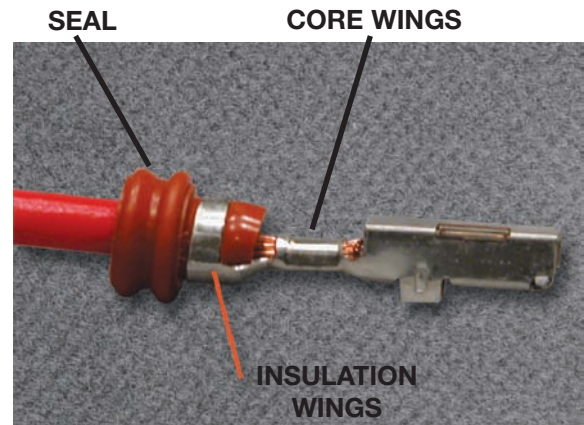
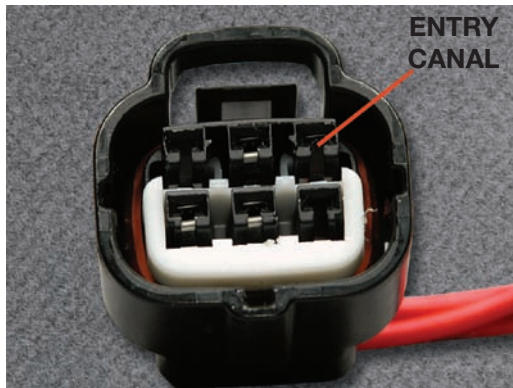




# TERMINALS AND CONNECTORS

## Type 1 Connectors (continued)

This style of Yazaki connector utilizes a seal at the rear of the connector body. Remember to apply the seal to the wire prior to crimping a new terminal on. Be sure that the seal is not damaged when crimping the insulation wings and be sure it has a good fit into the back of the connector body.



12085271 / J-38125-7



12085270 / J-38125-6



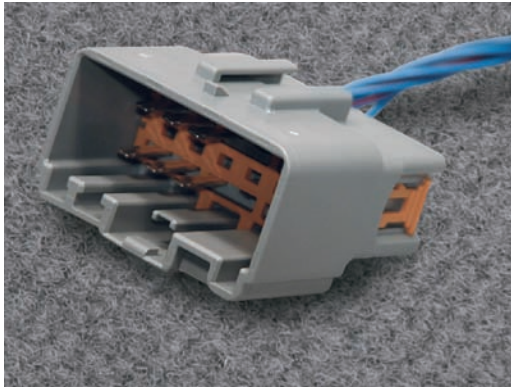
J-38125-216



# TERMINALS AND CONNECTORS

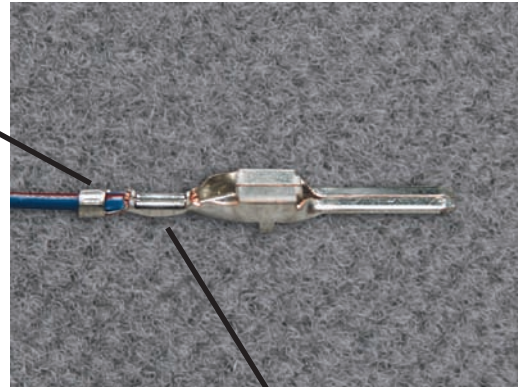
## Type 1 Connectors (continued)

The TPA on this style of Yazaki connector has a series of stops molded into the body of the connector along the side. The TPA should be removed completely to allow the release tool access to the terminal lock tang. As with all TPAs, always reposition the locking device when completing a repair.



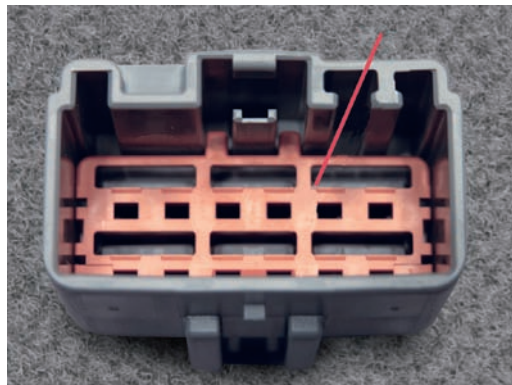
280 YESC Unsealed Male

INSULATION  
WINGS

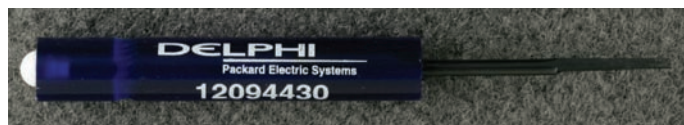


CORE WINGS

TPA



12085271 / J-38125-7



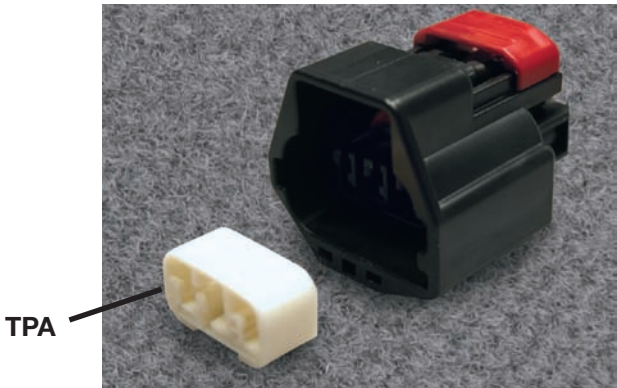
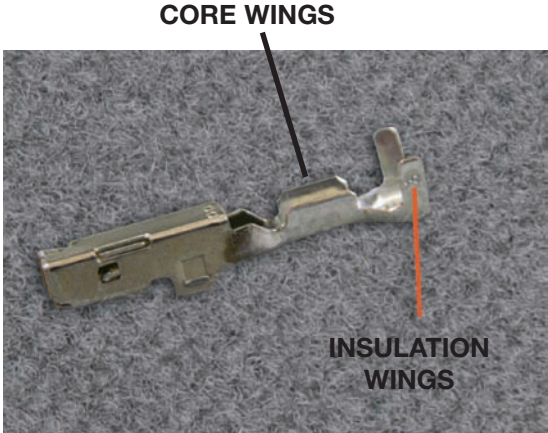
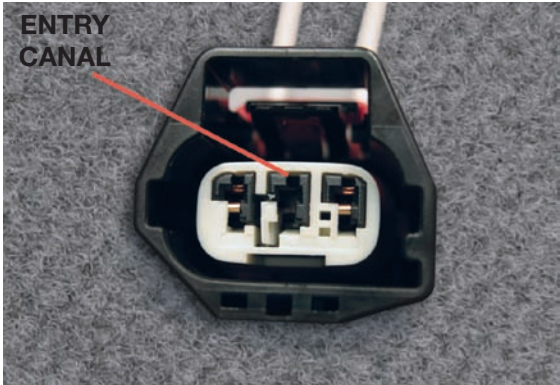
12094430 / J-38125-11A





# TERMINALS AND CONNECTORS

## Type 1 Connectors (continued)



12085271 / J-38125-7



12085270 / J-38125-6



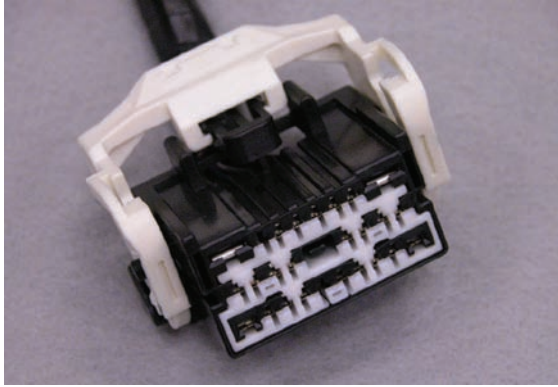
12094430 / J-38125-11A



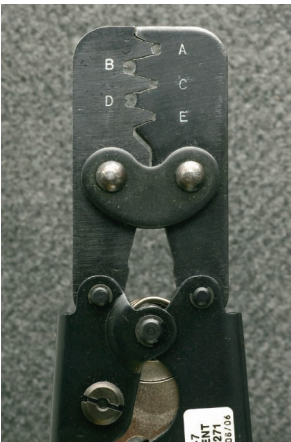
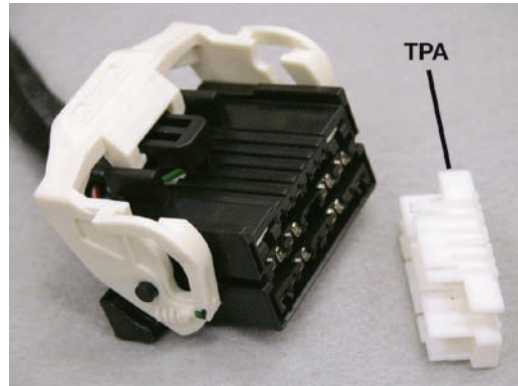
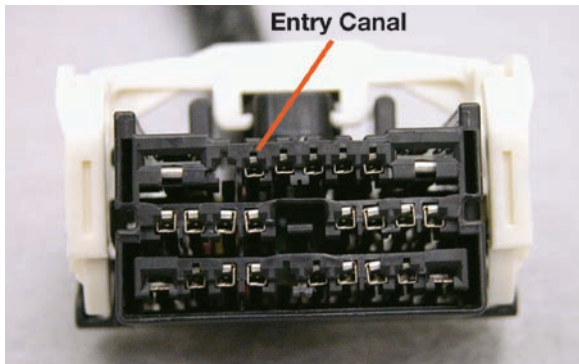
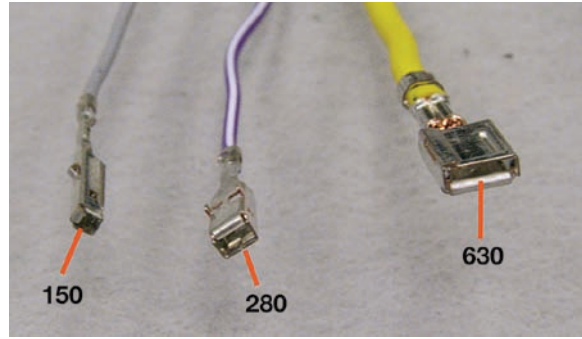


# TERMINALS AND CONNECTORS

## Type 1 Connectors (continued)



26 p 150+280+630 YESC Unsealed Female



12085271 / J-38125-7



12094430 / J-38125-11A

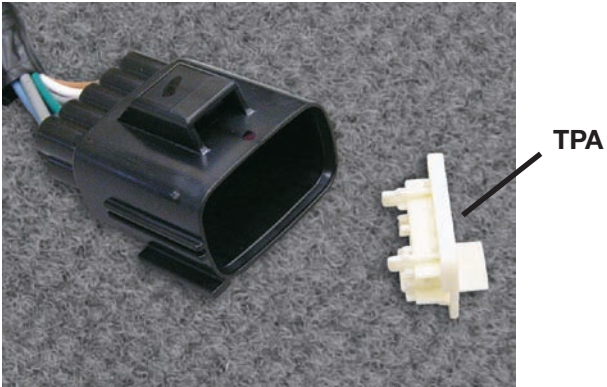
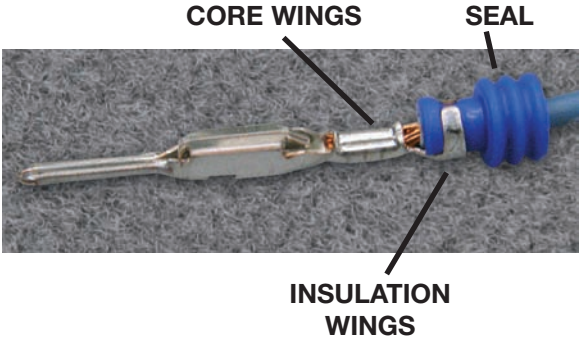


# TERMINALS AND CONNECTORS

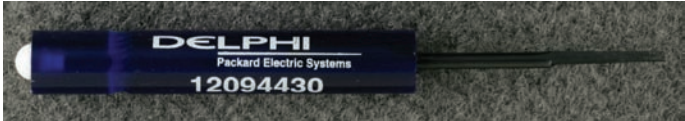
## Type 1 Connectors (continued)



10p 150 YESC Sealed Male



12085271 / J-38125-7



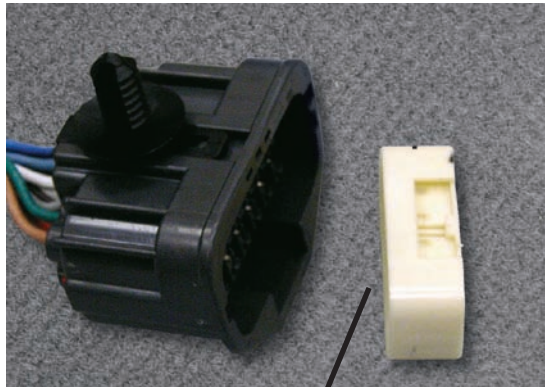
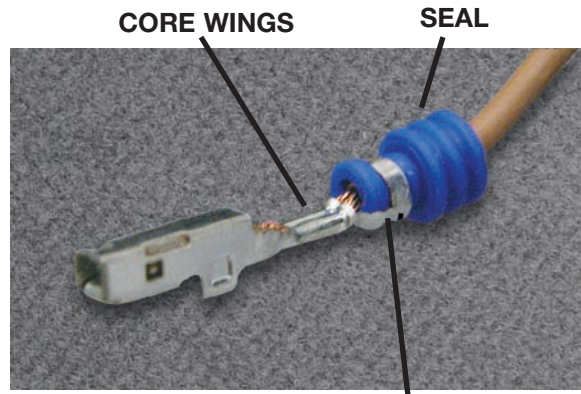
12094430 / J-38125-11A



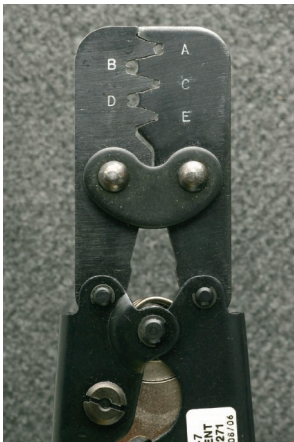
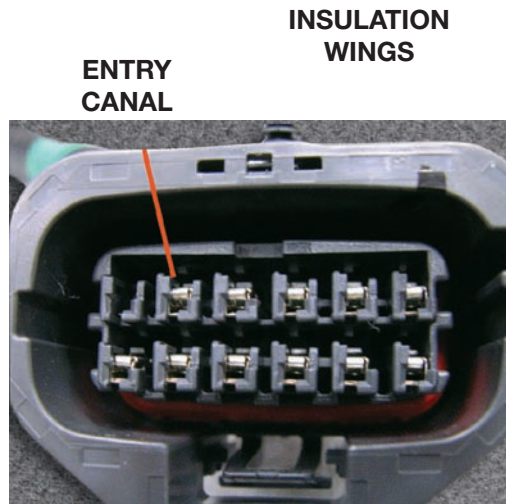


# TERMINALS AND CONNECTORS

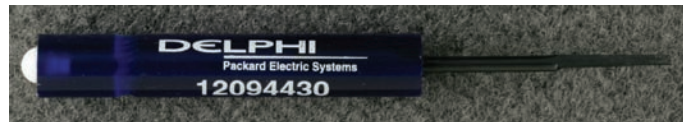
## Type 1 Connectors (continued)



TPA



12085271 / J-38125-7



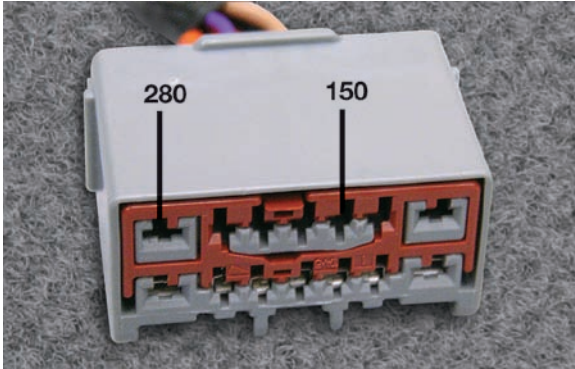
12094430 / J-38125-11A



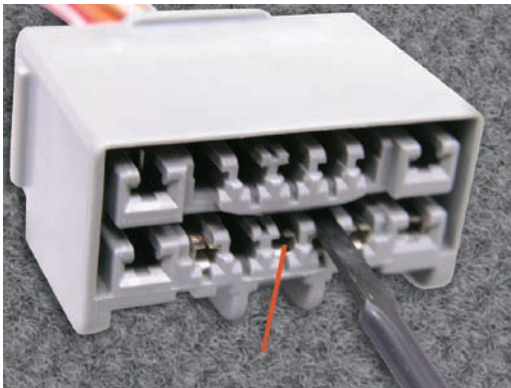
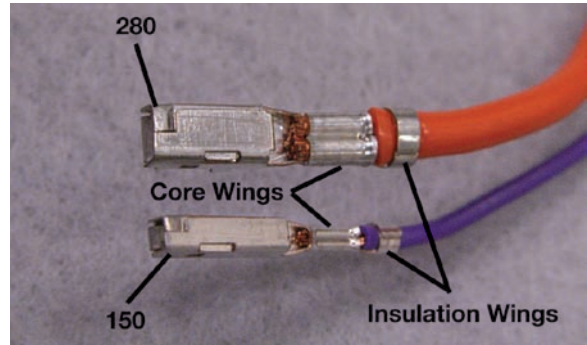


# TERMINALS AND CONNECTORS

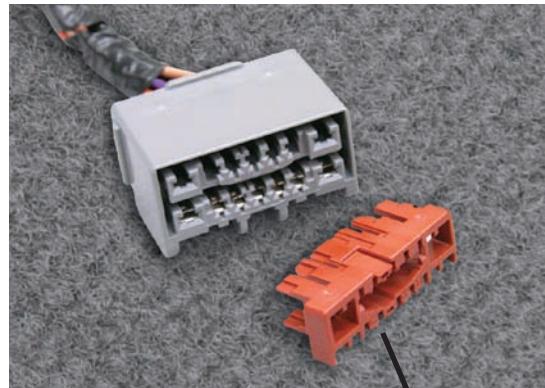
## Type 1 Connectors (continued)



14p 150+280 YESC Unsealed Female



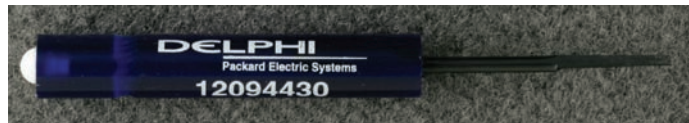
ENTRY  
CANAL



TPA



12085271 / J-38125-7

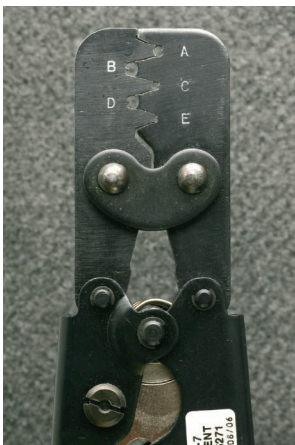
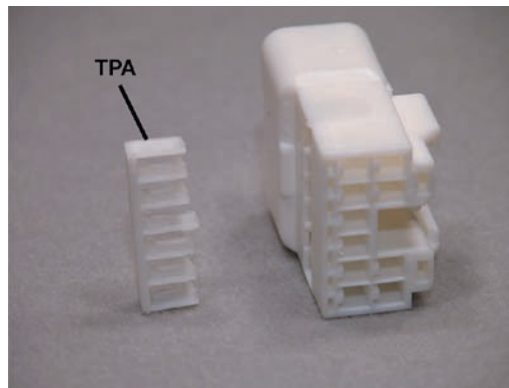
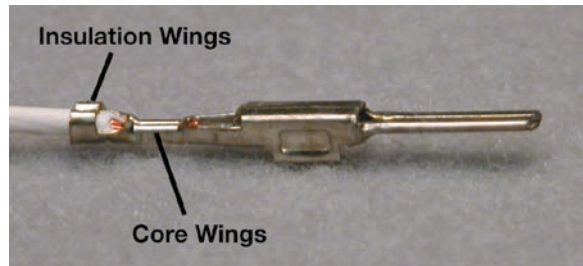
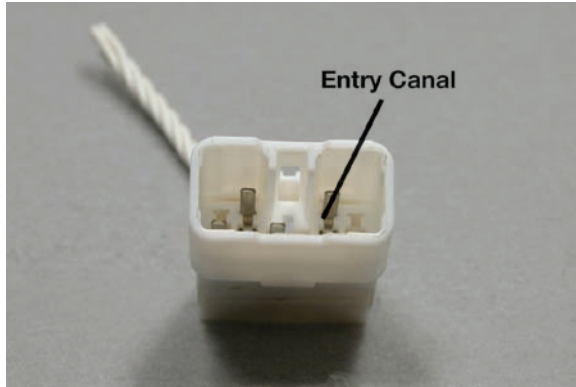


12094430 / J-38125-11A



# TERMINALS AND CONNECTORS

## Type 2 Connectors



12085271 / J-38125-7



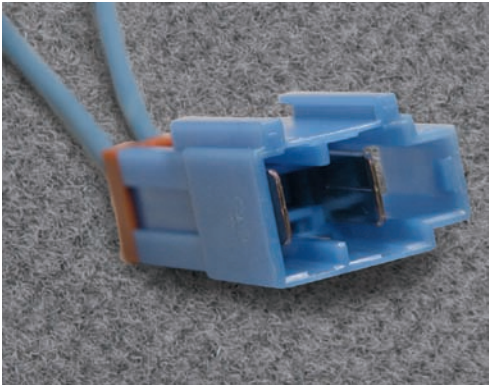
15315247 / J-38125-553



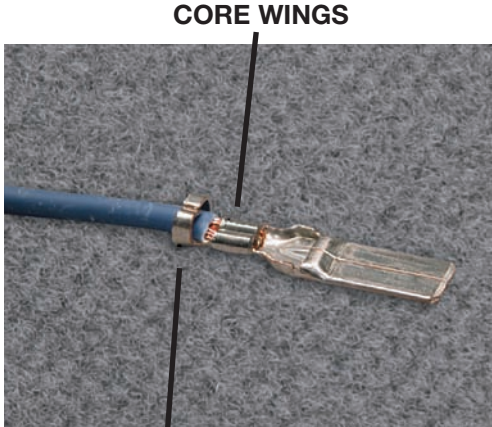


# TERMINALS AND CONNECTORS

## Type 3 Connectors

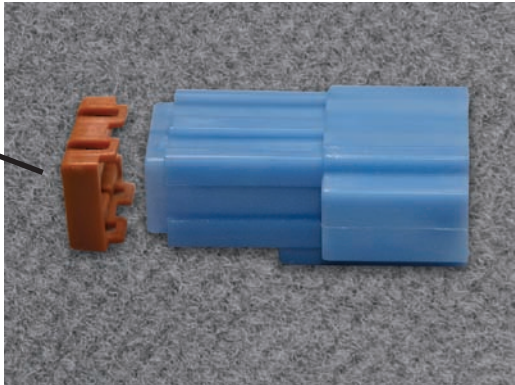


7114-3250

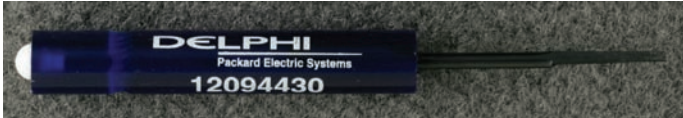


INSULATION WINGS

REAR HOLDER



12085271 / J-38125-7



12094430 / J-38125-11A





**AFL Tray 21**

**CRIMPING MATRIX**

Service Terminal Number	Description	Terminal Removal Tool	Core Crimp												Insulation Crimp												Test Probe
			.35		.50		.75		.80		1.0		1.5		2.0		2.5		3.0		4.0		5.0				
			E	C	E	C	E	C	E	C	E	C	E	C	E	C	E	C	E	C	E	C	E	C			
60000511	150 DCS II female	J-38125-560	E		E		E		E		E		E		E		E		E		E		E		J-35616-14 (GN)		
60000611	150 DCS II female sealed	15314260	8																							J-35616-14 (GN)	
60000631	150 DCS II female sealed	15314260		2	2	2	2																			J-35616-14 (GN)	
60000641	150 DCS II female sealed	J-38125-560									2															J-35616-14 (GN)	
60012811	280 DCS II female	12122378	C	C	C	C	C	C	C																	J-35616-4A (PU)	
60012911	280 DCS II female	J-38125-557	8																							J-35616-4A (PU)	
60012931	280 DCS II female sealed	J-38125-557			C	C	C																			J-35616-4A (PU)	
60012941	280 DCS II female sealed	J-38125-557									4															J-35616-4A (PU)	
60040431	480 DCS II female sealed	12093647																								J-35616-40 (BU)	
60040441	480 DCS II female sealed	12093647									4															J-35616-40 (BU)	
60040451	480 DCS II female sealed	12093647											A	A	A											J-35616-40 (BU)	
60040461	480 DCS II female sealed	12093647												D	D	D										J-35616-40 (BU)	
60992604	480 DCS II cable seal - Yel.	N/A																								N/A	
60992607	480 DCS II cable seal - Grn.	N/A																								N/A	
60993906	150 DCS II cavity plug - Wht.	N/A																								N/A	
60993913	150 DCS II cable seal - Red	N/A																								N/A	
60993928	150 DCS II cable seal - Gry.	N/A																								N/A	
60993934	150 DCS II cable seal - Yel.	N/A																								N/A	
60994015	280 DCS II cable seal - Blu.	N/A																								N/A	
60994023	280 DCS II cable seal - Red - Brn.	N/A																								N/A	
60994034	280 DCS II cable seal - Yel.	N/A																								N/A	
JW-1630-2	630 Faston female	12094430																								N/A	
PG-1209-31	250 round female	12152110							2	2																J-35616-42 (RD)	
PG-1809-2	250 round female	12152110																								J-35616-37 (L-BU)	
									E																	J-35616-37 (L-BU)	

## Delphi Tray 1

### CRIMPING MATRIX

Service Terminal Number	Description	Terminal Removal Tool	Core Crimp										Insulation Crimp										Test Probe			
			.35	.50	.75	.80	1.0	1.5	2.0	2.5	3.0	4.0	5.0	.35	.50	.75	.80	1.0	1.5	2.0	2.5	3.0		4.0	5.0	
01839906	Splice Clip - Unsealed	N/A																								N/A
02962516	Pin Grip female	12094430				A	A	A	A	F	F						D	D	D	D	G	G				J-35616-5 (PU)
02971962	56 series long male	12094430						A	A	F	F						F	F	F	F	G	G				J-35616-43 (RD)
02973216	59 series straight female	12094430				C	C	F	F	F	F						B	B	F	F	G	G				J-35616-42 (RD)
02984172	Ring Terminal Serrated - straight 6mm	N/A						A	A	F	F						D	D	G	G	G	G				N/A
02984375	Ring Terminal Serrated - straight 5mm	N/A						A	A	F	F						D	D	G	G	G	G				N/A
05297428	Splice Clip - Unsealed	N/A	F	F	F	F	F																			N/A
08911640	Pac/on I female	12094429	C	C	C	C	C	A	A	A	A						A	A	D	D	D	B	B			J-35616-4A (PU)
12004996	Pac/on II female	12094429	C	C	C	C	C	A	A	A	A						A	A	D	D	B	B	B			J-35616-4A (PU)
12020320	Pac/on I male	12094429	C	C	C	A	A	A	A								A	A	D	D	D					J-35616-41 (BU)
12020321	Pac/on III female	12094430	C	C	C	C	C	A	A								A	A	D	D	B	B				J-35616-4A (PU)
12033816	Pac/on I male	12094430				C	C	C	A	A	A						D	D	D	D	B	B	B			J-35616-41 (BU)
12034037	Obsolete	N/A	C	C	C	C	C										A	A	A							N/A
12048247	Mic/P 100 female	12031876-1	E	E	E	E	E										A	A	A							J-35616-6 (BN)
12089189	Splice Seal - Salmon	N/A	x	x	x																					N/A
12089190	Splice Seal - Blue	N/A						x	x	x	x															N/A
12089191	Splice Seal - Yellow	N/A										x	x													N/A
12089507	P/C Bow female	12094429	E	E	E	E	E										A	A	A	A						J-35616-4A (PU)
12124515	56 series female	12094430	C	C	C	C	C	C	A	A							D	D	D	D	D	D				J-35616-42 (RD)
12124580	W/P female sealed	12014012-1						2	2	2	4	4														J-35616-8 (OG)
12124582	W/P male sealed	12014012-1						2	2	2	4	4														J-35616-9 (OG)
12129497	M/P 280 series male	12094430						2	2	2	F	F														J-35616-5 (PU)
12191475	M/P 280 series female	12094429						4	4	4	A	A	A	A												J-35616-4A (PU)
88988379	Splice Seal - Green	N/A	x																							N/A

**Delphi Tray 2**

**CRIMPING MATRIX**

Service Terminal Number	Description	Terminal Removal Tool	Core Crimp										Insulation Crimp										Test Probe		
			.35	.50	.75	.80	1.0	1.5	2.0	2.5	3.0	4.0	5.0	.35	.50	.75	.80	1.0	1.5	2.0	2.5	3.0		4.0	5.0
12015870	M/P 630 series female	12094430					C	A	A								D	D					J-35616-42 (RD)		
12020116	M/P 280 series male	12094430	C	C	C	C	C	C	A	A		A	A	A	A	A	D	D					J-35616-5 (PU)		
12020120	M/P 480 series male	12094430					C	C	A	A							A	D	D				J-35616-41 (BU)		
12020126	M/P 630 series male	12094430	E	E	E	C	C	C	A	A		A	A	A	A	A	D	D					J-35616-43 (RD)		
12033820	M/P 480 series female	12094430									F	F	B							G	G		J-35616-40 (BU)		
12034046	M/P 280 series female	12094430	E	E	E	E	C							A	A	A	D						J-35616-4A (PU)		
12034047	M/P 280 series male	12094430	E	E	E	E	C							A	A	A	D						J-35616-5 (PU)		
12041351	M/P 280 series & W/P cable seal - Tan	N/A																					N/A		
12045773	M/P 150 series male sealed	12094429	E	E	E	E	2							1	1	1	1	1					J-35616-3 (GY)		
12047581	M/P 150 series male	12094429	E	E	E	E	E							C	C	C	A	A					J-35616-3 (GY)		
12048074	M/P 150 series female sealed	12094429	E	E	E	E	2							1	1	1	1	1					J-35616-14 (GN)		
12048087	M/P 150 series cable seal - Blue	N/A																					N/A		
12048159	M/P 280 series male sealed	12094430	2	2	2	2	2							5	5	5	5	5					J-35616-5 (PU)		
12048441	M/P 480 series cable seal - Wht.	N/A																					N/A		
12048451	M/P 480 series female sealed	12094430	C	C	C	C	F	F	4					5	5	5	3	3					J-35616-40 (BU)		
12066132	Mic/P 100 female sealed	12031876-1	E	E	E	E	E							E	E	E	E	E					J-35616-6 (BN)		
12066214	M/P 280 series female	12094430					F	A	A								D	B	B				J-35616-4A (PU)		
12077411	M/P 280 series female sealed	12094430	2	2	2	2	2							5	5	5	5	5					J-35616-4A (PU)		
12084595	M/P 480 series female	12094430									F	F	B							G	G		J-35616-40 (BU)		
12089340	M/P 150 series female	12180559-1	E	E	E	E	E							C	C	C	C						J-35616-14 (GN)		
12103881	M/P 150 series female pull to seat	12180559-1	E	E	E	E	E							C	C	C	C						J-35616-14 (GN)		
12124304	M/P 480 series female	12094430					F	A	A								D	B	B				J-35616-40 (BU)		
12129493	M/P 280 series female	12094430									4	4	4							5	5		J-35616-4A (PU)		
15326030	M/P 150 series female	12094429	E	E	E	E	E							C	A	A	A						J-35616-14 (GN)		







**Delphi Tray 5**

**CRIMPING MATRIX**

Service Terminal Number	Description	Terminal Removal Tool	Core Crimp										Insulation Crimp										Test Probe		
			.35	.50	.75	.80	1.0	1.5	2.0	2.5	3.0	4.0	5.0	.35	.50	.75	.80	1.0	1.5	2.0	2.5	3.0		4.0	5.0
			E	E	C	C	C	C	A	A				C	C	A	A	A	A	D	D	B		B	
12084971	M/P 150 series female	12094429																						J-35616-14 (GN)	
12065915	M/P 800 series female	12150860																							J-35616-44 (YE)
12066638	LP Socket sealed	12180559-1																							J-35616-4A (PU)
12084912	Mic/P 100W female	12122523																							J-35616-6 (BN)
12084913	Mic/P 100W female	12122523																							J-35616-6 (BN)
12089263	Ring & Washer - straight 6mm	N/A																							N/A
12089496	Ring & Washer - straight 6mm	N/A																							N/A
12092344	M/P 280 series male ACT	12094429																							J-35616-5 (PU)
12092345	M/P 280 series male ACT	12094429																							J-35616-5 (PU)
12110063	M/P 480 series female	15315247																							J-35616-40 (BU)
12110064	M/P 480 series female	15315247																							J-35616-40 (BU)
12124075	M/P 150 series female	12180559-1																							J-35616-14 (GN)
12124471	LP Socket sealed	12094430																							N/A
12186456	M/P 280 series female ACT	12094429																							J-35616-4A (PU)
12186457	M/P 280 series female ACT	12094429																							J-35616-4A (PU)
15326427	GT 150 series female sealed	15315247																							J-35616-2A (GY)
15326429	GT 150 series female sealed	15315247																							J-35616-2A (GY)
15373403	GT 150 series male sealed	15315247																							J-35616-3 (GY)
15393149	GT 150 series male	15315247																							J-35616-3 (GY)
15393150	GT 150 series female	15315247																							J-35616-2A (GY)
15476168	GT 630 series female sealed	15315247																							J-35616-2A (GY)
15489500	Micro .64 male	15389891																							J-35616-65B (L-BU)
15496302	GT 150 series female	15315247																							J-35616-2A (GY)
8905087	Pac/on I female	12094429																							J-35616-4A (PU)



## Delphi Tray 8

### CRIMPING MATRIX

Service Terminal Number	Description	Terminal Removal Tool	Core Crimp										Insulation Crimp										Test Probe		
			.35	.50	.75	.80	1.0	1.5	2.0	2.5	3.0	4.0	5.0	.35	.50	.75	.80	1.0	1.5	2.0	2.5	3.0		4.0	5.0
				E	E	C	C		A	D	D	B	B	A	A	D	D		B	B	B	B		G	G
12020156	M/P 630 series female pull to seat	12094430																						J-35616-42 (RD)	
12033997	M/P 630 series female	12094430																						J-35616-42 (RD)	
12064734	M/P 630 series male sealed	12094430																						J-35616-43 (RD)	
12084449	Mic/P 100 male	12094429																						J-35616-7 (BN)	
12177068	280 Mini-Timer female	12093647																						J-35616-4A (PU)	
12177069	280 Mini-Timer female	12093647																						J-35616-4A (PU)	
12191819	GT 150 series female sealed	15315247																						J-35616-2A (GY)	
15304711	GT 280 series female	15315247																						J-35616-4A (PU)	
15304716	GT 280 series female sealed	15315247																						J-35616-4A (PU)	
15304717	GT 280 series female sealed	15315247																						J-35616-4A (PU)	
15304722	GT 280 series male	15315247																						J-35616-5 (PU)	
15304724	GT 280 series male	15315247																						J-35616-5 (PU)	
15304728	GT 280 series male sealed	15315247																						J-35616-5 (PU)	
15304729	GT 280 series male sealed	15315247																						J-35616-5 (PU)	
15304732	GT 280 series male sealed	15315247																						J-35616-5 (PU)	
15305171	GT 150 series cavity plug Grn.	N/A																						N/A	
15305174	Mic/P 064 female sealed	12180559-1																						J-35616-64B (L-BU)	
15496531	GT 150 FBT series female sealed	J-38125-29																						J-35616-2A (GY)	
1928498054	280 BDK female sealed	J-38125-561																						J-35616-35 (VT)	
1928498055	280 BDK female sealed	J-38125-561																						J-35616-35 (VT)	
1928498056	280 BDK female sealed	J-38125-561																						J-35616-35 (VT)	
1928498057	280 BDK female sealed	J-38125-561																						J-35616-35 (VT)	
1928498058	280 BDK female sealed	J-38125-561																						J-35616-35 (VT)	
1928498132	120 MAT female	J-38125-213																						J-35616-16 (L-GN)	



## Delphi Tray 19

### CRIMPING MATRIX

Service Terminal Number	Description	Terminal Removal Tool	Core Crimp										Insulation Crimp										Test Probe		
			.35	.50	.75	.80	1.0	1.5	2.0	2.5	3.0	4.0	5.0	.35	.50	.75	.80	1.0	1.5	2.0	2.5	3.0		4.0	5.0
			A	A	A	A	A	A	F	F	F	F	F	B	B	B	B	B	B	G	G	G		G	G
12103514	Ring Terminal - straight 6mm	N/A																						N/A	
12110127	M/P 800 series female	12150860																							J-35616-44 (YE)
12124313	M/P 280 series female pull to seat	12094430																							J-35616-4A (PU)
12129484	M/P 150 series female	12094429																							J-35616-14 (GN)
12129960	220 090 series II female	12094429																							J-35616-18 (BK)
12146448	Mic/P 100 female	12031876-1																							J-35616-6 (BN)
12147300	150 Ducon male	12094429																							J-35616-3 (GY)
12147303	150 Ducon female	12094429																							J-35616-2A (GY)
12176636	M/P 150 series female	12094429																							J-35616-14 (GN)
12177007	Mic/P 064 female	12180559-1																							J-35616-64B (L-BU)
12191812	GT 150 series female	15315247																							J-35616-2A (GY)
15304702	GT 150 series male	15315247																							J-35616-3 (GY)
15304713	GT 280 series female	15315247																							J-35616-4A (PU)
15304719	GT 280 series female sealed	15315247																							J-35616-4A (PU)
15304720	GT 280 series female sealed	15315247																							J-35616-4A (PU)
15304731	GT 280 series male sealed	15315247																							J-35616-5 (PU)
15305100	220 090 series II male	12094429																							J-35616-19 (BK)
15305180	.64 090 series female	12094429																							J-35616-64B (L-BU)
15324340	M/P 280 series female	12094430																							J-35616-4A (PU)
15326267	GT 150 series female sealed	15315247																							J-35616-2A (GY)
15326269	GT 150 series male sealed	15315247																							J-35616-3 (GY)
15326592	.64 Ducon female	12094429																							J-35616-64B (L-BU)
1928498135	120 MAT female	J-38125-213																							J-35616-16 (L-GN)



## Delphi Tray 20

### CRIMPING MATRIX

Service Terminal Number	Description	Terminal Removal Tool	Core Crimp										Insulation Crimp										Test Probe		
			.35	.50	.75	.80	1.0	1.5	2.0	2.5	3.0	4.0	5.0	.35	.50	.75	.80	1.0	1.5	2.0	2.5	3.0		4.0	5.0
			E	E	E	E	E							C	C	C	C	C							
08-50-0115	280 KK female	J-38125-213																						J-35616-4A (PU)	
15336748	M/P 800 series female sealed	12150860																						3	
15355438	100 040III series female	15315247	E	E																				J-35616-16 (L-GN)	
15355486	100 040III series male	15315247	C/E	C/E																				J-35616-17 (L-GN)	
15366022	Mic/P 064 series cable seal - Grn.	N/A																						N/A	
15366065	GT 280 series cable seal - Org.	N/A																						N/A	
15366067	GT 280 series cable seal - Tan	N/A																						N/A	
15435885	Mic/P 100W female	12122523	W	W																				J-35616-6 (BN)	
16-02-1110	.64 SL female	J-38125-213	H																					J-35616-64B (L-BU)	
39-00-0077	130 Mini-Fit female	J-38125-560						K																J-35616-12 (BU)	
43375-0001	280 Mini-Fit female	12094429					C																	J-35616-4A (PU)	
44476-1111	130 Mini-Fit female	J-38125-560	K	K	K	K																		J-35616-12 (BU)	
IL-AG5-C1-5000	.64 female	J-38125-211	K	J																				J-35616-64B (L-BU)	
IL-AG5-PC1-5000	.64 male	J-38125-211	K	J																				J-35616-65B (L-BU)	
SAITW-A03T-064	.64 AIT-W male	J-38125-215A	J	J																				J-35616-65B (L-BU)	
SHCM-A03T-P025	.64 female	12094429	J	J																				J-35616-64B (L-BU)	
SHCMW-A03T-040	100 male	12094429	J	J																				J-35616-17 (L-GN)	
SNAC3-A021T-M0.64	.64 female	12094429	J	J																				J-35616-64B (L-BU)	
SNAC3-A031T-M0.64	.64 female	12094429	J	J	J	J																		J-35616-64B (L-BU)	
SNAC-A03T-M040	100 female	12094429	J	J																				J-35616-16 (L-GN)	
SNAC-A061T-M2.8	280 female	12094429	E	E	E	E	C																	J-35616-35 (VT)	
SNAC-A081T-M2.8	280 female	12094429																						J-35616-35 (VT)	
SNAC-A091T-M2.8	280 female	12094429																						J-35616-35 (VT)	
SVH-21T-P1.1	220 female	12094429	E	E	E	E																		J-35616-18 (BK)	

**Delphi Tray 23**

**CRIMPING MATRIX**

Service Terminal Number	Description	Terminal Removal Tool	Core Crimp										Insulation Crimp										Test Probe	
			.35	.50	.75	.80	1.0	1.5	2.0	2.5	3.0	4.0	5.0	.35	.50	.75	.80	1.0	1.5	2.0	2.5	3.0		4.0
15305172	GT 280 series cavity plug Tan	N/A																						N/A
15305232	M/P 630 series female sealed	12094430	B/4	B/4	B/4	B/4	F	F	F	F	B	B	B	3	3	3	3	3	3	3	3	3	3	J-35616-42 (RD)
15344769	RT 630 series female	12094430					F	F	F	F	F	F	F											J-35616-42 (RD)
15366061	GT 280 series cable seal - Dk. Red	N/A																						N/A
15366063	GT 280 series cable seal - Gry.	N/A																						N/A
15392777	GT 280 series female sealed	15315247																						
15410292	GT 630 series male	15315247									D	B	B											J-35616-4A (PU)
15445905	Micro 100 HVT female	12180559	J	J	K	K					G/F	G/F	G/F	G/F										J-35616-43 (RD)
33001-1004	150 MX female	J-38125-217	E	A/E	A/E																			J-35616-16 (L-GN)
33012-1003	150 MX female	J-38125-217	2/E	2/E																				J-35616-14 (GN)
33088-0007	150 Micro round female	12152110	E																					J-35616-66 (YE)
33088-0013	150 Micro round female	12152110				C																		J-35616-66 (YE)
33093-0005	150 Micro round male	12152110				C																		J-35616-67 (YE)
33093-0007	150 Micro round male	12152110	E																					J-35616-67 (YE)
33116-0003	280 Micro round male	12152110																						J-35616-55 (TN)
33118-0005	280 Micro round female	12152110																						J-35616-54 (TN)
33467-0003	.64 MX female	J-38125-213	H																					J-35616-64B (L-BU)
33467-0005	.64 MX female	J-38125-213	H	J	K	K																		J-35616-64B (L-BU)
33468-0001	.64 MX female	J-38125-213	H																					J-35616-64B (L-BU)
33468-0003	.64 MX female	J-38125-213		J	K	K																		J-35616-64B (L-BU)
39-00-0038	130 Mini-Fit female	J-38125-560	K	K	K	K																		J-35616-12 (BU)
39-00-0046	130 Mini-Fit female	J-38125-560	H																					J-35616-12 (BU)
43030-0010	.64 Micro-Fit female	J-38125-213	H																					J-35616-64B (L-BU)

## Delphi Tray 24

### CRIMPING MATRIX

Service Terminal Number	Description	Terminal Removal Tool	Core Crimp												Insulation Crimp												Test Probe
			.35	.50	.75	.80	1.0	1.5	2.0	2.5	3.0	4.0	5.0	.35	.50	.75	.80	1.0	1.5	2.0	2.5	3.0	4.0	5.0			
			E	E	E	E	G/F	G/F	G/F	G/F	G/F	G/F	G/F	C	C	C	C	C	C	C	C	C	C	C			
12033605	P/C Bow female	12094429																									J-35616-4A (PU)
12110700	M/P 800 series male sealed	12150860																									J-35616-45 (YE)
12147451	280 Ducon female	12094430																									J-35616-4A (PU)
12147474	630 Ducon female sealed	12094430																									J-35616-42 (RD)
12158098	280 Ducon female sealed	12094430																									J-35616-4A (PU)
1438232-4	180 Mini-blade female	12094429																									J-35616-33 (YE)
15324983	M/P 280 series cable seal - Dk. Red	N/A																									N/A
15324995	M/P 630 series cable seal - Dk Red	N/A																									N/A
154717-3	630 Posi-Lock MK I female	12094429																									J-35616-42 (RD)
15484100	M/P 280 series female	12094430																									J-35616-4A (PU)
15491972	GT 280 series female sealed	15315247																									J-35616-4A (PU)
160366-2	280 Faston female	12094429																									J-35616-4A (PU)
170089-1	630 Faston female	12094430																									J-35616-42 (RD)
170325-1	480 Posi-Lock female	J-38125-218																									J-35616-40 (BU)
172773-1	180 MIC female	15315247																									J-35616-33 (YE)
180351-2	630 Faston female	12094430																									J-35616-42 (RD)
1928498059	280 BDK female sealed	J-38125-561																									J-35616-35 (VT)
2153-006	500 Box Type female	12094430																									J-35616-31 (OG)
60295-2	630 Faston female	12094430																									J-35616-42 (RD)
62050-1	280 Faston female	12094429																									J-35616-4A (PU)
638187-2	.64 AMP female	12094429																									J-35616-64B (L-BU)
643221-2	280 JPT female	15315247																									J-35616-4A (PU)
927852-8	630 Posi-Lock female	12094429																									J-35616-42 (RD)
963898-3	150 Micro-Timer male	J-38125-560																									J-35616-3 (GY)



**Lear Tray 7**

**CRIMPING MATRIX**

Service Terminal Number	Description	Terminal Removal Tool	Core Crimp										Insulation Crimp										Test Probe	
			.35	.50	.75	.80	1.0	1.5	2.0	2.5	3.0	4.0	5.0	.35	.50	.75	.80	1.0	1.5	2.0	2.5	3.0		4.0
1123343-2	.64 Multi-Lock female	J-38125-24	J	K																				J-35616-64B (L-BU)
154718-3	630 Posi-Lock female	12094429				C	C	C	C									D	D	D				J-35616-42 (RD)
171631-2	180 Econoseal male sealed	12094429	E	E														D	D					J-35616-34 (YE)
171661-5	180 Econoseal male sealed	12094429	E	E	E	E	2											D	D	1				J-35616-34 (YE)
1719532-5	.64 MQS female	12094429	H	J	J	K												H	J	J	K			J-35616-64B (L-BU)
172748-1	180 Econoseal cavity plug - Blk.	N/A																						N/A
173630-7	180 Multi-Lock female	15315247	E	E	E	E	E											4	4	A	A			J-35616-33 (YE)
173716-1	100 Multi-Lock female	15315247	E	E														4	4					J-35616-16 (L-GN)
184030-1	180 AMP SSC female sealed	12094429			E	E	2	C	C									D	D	1	1			J-35616-33 (YE)
184095-1	180 AMP SSC female sealed	12094429	E	E	E	E	2											D	D	D	1			J-35616-33 (YE)
184139-1	180 AMP SSC cable seal - Lt Blu.	N/A																						N/A
184140-1	180 AMP SSC cable seal - Brn.	N/A																						N/A
184141-1	180 AMP SSC cable seal - Ppl.	N/A																						N/A
1-968857-3	280 MCP female sealed	12093647								C	C	C									1	1	5	J-35616-4A (PU)
1-968859-3	280 MCP female sealed	12093647											A	A									3	J-35616-4A (PU)
280756-4	950 Faston female	12094429											F	F									5	J-35616-22 (RD)
282224-1	180 Econoseal female sealed	12094429	E	E														D	D					J-35616-33 (YE)
282225-1	180 Econoseal female sealed	12094429					2	C	C											1	1	1		J-35616-33 (YE)
2-927835-2	480 SPT female sealed	12093647						C	A	A	4	4								3	3	3		J-35616-40 (BU)
2-968037-4	480 SPT female sealed	12093647											F	F									3	J-35616-40 (BU)
771016-HK200	280 series female	12094430											D	D								G	G	J-35616-4A (PU)
771416-HK200	280 series female	12094430					A	A	A												D	D		J-35616-4A (PU)
771816-HK200	280 series female	12094430			C	C	C													A	A			J-35616-4A (PU)
963716-2	.64 MQS male	12094429	H	J	J	K												H	J	J	K			J-35616-65B (L-BU)



**Lear Tray 17**

**CRIMPING MATRIX**

Service Terminal Number	Description	Terminal Removal Tool	Core Crimp										Insulation Crimp										Test Probe		
			.35	.50	.75	.80	1.0	1.5	2.0	2.5	3.0	4.0	5.0	.35	.50	.75	.80	1.0	1.5	2.0	2.5	3.0		4.0	5.0
				E	E	E	E	2								2	C	C	C	4	A	D		D	G
1241374-1	150 AMP MCP female	J-38125-560		E	E	E	2																	J-35616-14 (GN)	
1241388-1	280 MCP female	J-38125-557		E	E	E	2																	J-35616-4A (PU)	
1241390-1	280 MCP female	J-38125-557					C	C	F	F	F	F	F	F					A	D	D	D		J-35616-4A (PU)	
1241406-1	630 MCP female	J-38125-557																						J-35616-42 (RD)	
1326029-1	280 JPT male	J-38125-212	E																					J-35616-5 (PU)	
1326029-8	280 JPT male	J-38125-212					A	A	A	4	4	4	B	B										J-35616-5 (PU)	
1326030-6	280 Power Timer female	12094429	E	E	E	E	C												C	2	C	C	A	J-35616-4A (PU)	
1326030-8	280 Power Timer female	12094429					A	A	A	4	4	B	B											J-35616-4A (PU)	
1456350-1	100 USCAR female	J-38125-214		E	E	E																		J-35616-16 (L-GN)	
1488220-1	.64 AMP male	15315247	J	K	K	K													J	K	K	K		J-35616-65B (L-BU)	
173681-2	100 Multi-Lock female	15315247	E	E															4	4				J-35616-16 (L-GN)	
1928498014	.64 BMK female	J-38125-560	N	N	N	N													N	N	N	N		J-35616-64B (L-BU)	
1928498016	.64 BMK female	J-38125-560	N	N	N	N													N	N	N	N		J-35616-64B (L-BU)	
344070-1	630 female sealed	12094430	E	E	E	2	2													B	B	B		J-35616-42 (RD)	
347707-1	630 Econoseal cable seal - Org.	N/A																						N/A	
62336-1	280 Faston female	12094429	E	E	E	E													2	2	2	2		J-35616-4A (PU)	
770678-1	100 AMPSEAL cavity plug - Wht.	N/A																						N/A	
776491-1	150 round female	12094430				2	A	C	C															J-35616-66 (YE)	
967652-1	480 PQL cavity plug - Cir.	N/A																						N/A	
968072-2	480 PQL female	12031876-1					C	C	C	A	A									4	4	1	5	J-35616-40 (BU)	
968074-2	280 MPQ female sealed	12031876-1	E	E	E	2	2												C	C	C	4	4	J-35616-4A (PU)	
968075-2	280 MPQ female sealed	12031876-1							2	2	A											4	4	J-35616-4A (PU)	
968121-2	480 PQL female sealed	12031876-1					C	C	C											5	5	5		J-35616-40 (BU)	
968122-2	480 PQL female sealed	12031876-1							4	4												5	5	J-35616-40 (BU)	



**Lear Tray 25**

**CRIMPING MATRIX**

Service Terminal Number	Description	Terminal Removal Tool	Core Crimp										Insulation Crimp										Test Probe		
			.35	.50	.75	.80	1.0	1.5	2.0	2.5	3.0	4.0	5.0	.35	.50	.75	.80	1.0	1.5	2.0	2.5	3.0		4.0	5.0
			H	J	E	E	E	E	E	E	E	E	E	H	J	C	C	C	C	C	C	C		C	C
104479-9	.64 Modu female	J-38125-24	H	J																				J-35616-64B (L-BU)	
1241380-2	150 AMP MCP female sealed	J-38125-560		E	E	E	2																	J-35616-14 (GN)	
1411553-1	.64 ELO female	12094429	E	E	E	E																		J-35616-64B (L-BU)	
1411560-2	.64 ELO female	12094429	E	E	E	E																		J-35616-64B (L-BU)	
1411590-1	280 ELO female	15315247	E	E																				J-35616-4A (PU)	
144969-1	.64 MQS female	12094429	E	E																				J-35616-64B (L-BU)	
170258-1	630 Faston female	12094430																						J-35616-42 (RD)	
2-964280-1	280 JPT female	12093647	E	E																				J-35616-4A (PU)	
2-964284-1	280 JPT female	12093647		E	E	E	E																	J-35616-4A (PU)	
4-964274-1	160 Micro-Timer II female sealed	J-38125-560	E	E	E	C	C																	J-35616-14 (GN)	
4-965999-1	280 JPT female	12093647																						J-35616-4A (PU)	
770520-1	100 AMPSEAL round female	N/A		E	E	E	E																	J-35616-6 (BN)	
770903-1	100 Mini UMNL round male	J-38125-220	J																					J-35616-7 (BN)	
770904-1	100 Mini UMNL round female	J-38125-220	E	E	K	K																		J-35616-10 (GN)	
771116-HK200	280 series female	12094430																						J-35616-4A (PU)	
771316-HK200	280 series female	12094430																						J-35616-4A (PU)	
771716-HK200	280 series female	12094430	C	C	C	C																		J-35616-4A (PU)	
772216-HK200	280 series female	12094430	E	E																				J-35616-4A (PU)	
927837-1	480 SPT female	12093647																						J-35616-40 (BU)	
927837-7	480 SPT female	12093647																						J-35616-40 (BU)	
962928-1	950 Maxi-PT female	J-38125-221																						J-35616-22 (RD)	
963720-3	.64 Modu female	J-38125-24	J	J																				J-35616-64B (L-BU)	
964328-1	480 SPT female	12094429																						J-35616-42 (RD)	
967011-1	480 SPT cable seal - Grn.	N/A																						N/A	

**Lear Tray 28**

**CRIMPING MATRIX**

Service Terminal Number	Description	Terminal Removal Tool	Core Crimp										Insulation Crimp										Test Probe		
			.35	.50	.75	.80	1.0	1.5	2.0	2.5	3.0	4.0	5.0	.35	.50	.75	.80	1.0	1.5	2.0	2.5	3.0		4.0	5.0
08-50-0133	280 KK female	J-38125-213	H																						J-35616-4A (PU)
08-52-0071	280 KK female	J-38125-213	K	K	K	K																			J-35616-4A (PU)
1241402-1	630 MCP female	J-38125-557		2	2	2	C																		J-35616-42 (RD)
1241408-1	630 MCP female	J-38125-557					C	C	A	A	B	B													J-35616-42 (RD)
1393457-1	.64 ELO cable seal - Gry.	N/A																							N/A
1393457-2	.64 ELO cable seal - Red	N/A																							N/A
1393457-3	.64 ELO cavity plug - Whit.	N/A																							N/A
1438299-4	.64 GET male	15315247	E	E																					J-35616-65B (L-BU)
170349-2	630 Faston male	J-38125-212	E	E																					J-35616-43 (RD)
1743423-1	280 MCP male	J-38125-212	E	E	E	E	C																		J-35616-5 (PU)
34083-1002	150 MX female sealed	J-38125-217		E	A/E	A/E																			J-35616-14 (GN)
35421-6202	220 Uniconn female	12094429			E	E	E																		J-35616-18 (BK)
35421-6302	220 Uniconn female	12094429																							J-35616-18 (BK)
368087-1	220 Multi-lock male	15315247					2	C	C	C															J-35616-19 (BK)
368088-1	220 Multi-lock male	15315247	E	E																					J-35616-19 (BK)
39-00-0059	130 Mini-Fit female	J-38125-560	K	K	K	K																			J-35616-12 (BU)
49702-6702	220 LIF female	12094429	J	E																					J-35616-18 (BK)
50654-1001	100 SR female	12094429	J	J	K	K																			J-35616-16 (L-GN)
50660-9001	100 SR male	12094429	J	J	K	K																			J-35616-17 (L-GN)
57919-6702	220 LIF male	12094429	J	K																					J-35616-19 (BK)
57919-6802	220 LIF male	12094429					K	2																	J-35616-19 (BK)
57919-6902	220 LIF male	12094429																							J-35616-19 (BK)
927808-2	250 system round flag female	J-38125-222		E	E	E																			J-35616-37 (L-BU)
964265-2	150 Micro-Timer male	J-38125-560	E	E	E	E	C																		J-35616-34 (YE)





## Sumitomo Tray 22

### CRIMPING MATRIX

Service Terminal Number	Description	Terminal Removal Tool	Core Crimp										Insulation Crimp										Test Probe				
			.35	.50	.75	.80	1.0	1.5	2.0	2.5	3.0	4.0	5.0	.35	.50	.75	.80	1.0	1.5	2.0	2.5	3.0		4.0	5.0		
54001002	280 APEX female	12094429																					6	6	J-35616-4A (PU)		
54001004	630 APEX female	12094429																							1	1	J-35616-42 (RD)
54001202	280 APEX female	12094429																									J-35616-4A (PU)
54001400	280 APEX female	12094429																									J-35616-4A (PU)
54001401	280 APEX male	12094429																									J-35616-5 (PU)
54001404	280 APEX female	12094429																									J-35616-4A (PU)
54001800	280 APEX female	12094429																									J-35616-4A (PU)
54001807	280 APEX female	12094429																									J-35616-4A (PU)
8100-3426	.64 US series female	15315247	J																								J-35616-64B (L-BU)
8100-3427	.64 US series female	15315247	K																								J-35616-64B (L-BU)
8100-3455	.64 TS series female sealed	15315247	7	8																							J-35616-64B (L-BU)
8100-4339	150 female	15315247	E	E																							J-35616-14 (GN)
8100-4443	280 US series female	15315247	E	E	2	2																					J-35616-35 (VT)
8100-4444	280 US series female	15315247	E	E	2	2	2	C	C																		J-35616-35 (VT)
8100-4445	280 US series female	15315247																									J-35616-35 (VT)
8240-0127	150 US series female	15315247	E	E	C	C																					J-35616-2A (GY)
8240-0128	150 US series female	15315247	E	E	C	C	C	C																			J-35616-2A (GY)
8240-4412	150 MT series female	15315247	E	E																							J-35616-14 (GN)
8240-4652	150 MT series female	15315247																									J-35616-14 (GN)
8240-4862	220 HX series female sealed	15315247	E	E																							J-35616-18 (BK)
8240-4882	220 TS series female	15315247	E	E																							J-35616-18 (BK)
8240-4892	220 TS series female	15315247	E	E	E	E																					J-35616-18 (BK)
8240-4942	220 TS series female	15315247																									J-35616-18 (BK)
8240-4992	220 HX series female sealed	15315247																									J-35616-18 (BK)

**Sumitomo Tray 26**

**CRIMPING MATRIX**

Service Terminal Number	Description	Terminal Removal Tool	Core Crimp										Insulation Crimp										Test Probe		
			.35		.50		.75		.80		1.0		1.5		2.0		2.5		3.0		4.0			5.0	
1500-0110	220 MT series sealed female	15315247			E	E	E	E	E	E															J-35616-18 (BK)
26365-213.011	280 female	12094429			E	E	E	E	E																J-35616-4A (PU)
26402-213.178	280 MDK 3 female sealed	12094429			E	E	E	E	E																J-35616-4A (PU)
33001-1005	150 MX female	J-38125-217	2/E	2/E																					J-35616-14 (GN)
33012-1002	150 MX female	J-38125-217			E	A/E	A/E																		J-35616-14 (GN)
33093-0009	150 Micro round male	12152110			E	E	E	E	E																J-35616-67 (YE)
368083-1	220 MLC female	15315247	E	E	E	E	E	E	E	C	C	C	C	C											J-35616-18 (BK)
54001801	280 APEX male	12094429																							J-35616-5 (PU)
54001802	280 APEX female	12094429																							J-35616-4A (PU)
7160-8234	220 090 MT series cable seal - Blk.	N/A																							N/A
7160-9786	220 MT series cable seal - Blk.	N/A																							N/A
7165-0342	220 090 DL series cable seal - Brn.	N/A																							N/A
7165-0385	220 090 DL series cable seal - Lt Gry.	N/A																							N/A
7165-0851	.64 TS series cable seal - Dk. Grn.	N/A																							N/A
8100-0457	220 TS series male sealed	15315247	6	7																					J-35616-19 (BK)
8100-1427	220 DL series female sealed	15315247	7	7																					J-35616-18 (BK)
8100-1429	220 DL series female sealed	15315247																							J-35616-18 (BK)
8100-2922	.64 BS female	15315247	H	J																					J-35616-64B (L-BU)
8100-2923	.64 BS female	15315247																							J-35616-64B (L-BU)
8100-3420	100 HX series female sealed	15315247	7	7																					J-35616-16 (L-GN)
8100-3421	100 HX series female sealed	15315247																							J-35616-16 (L-GN)
8100-3456	.64 TS series female sealed	15315247	K	K																					J-35616-64B (L-BU)
8230-4492	220 TS series male	15315247	J	J																					J-35616-19 (BK)
8230-4502	220 SL series male	15315247	A	A																					J-35616-19 (BK)

**Yazaki Tray 9**

**CRIMPING MATRIX**

Service Terminal Number	Description	Terminal Removal Tool	Core Crimp										Insulation Crimp										Test Probe		
			.35	.50	.75	.80	1.0	1.5	2.0	2.5	3.0	4.0	5.0	.35	.50	.75	.80	1.0	1.5	2.0	2.5	3.0		4.0	5.0
7114-4100-08	150 YESC male	15315247	E	E																					J-35616-3 (GY)
7114-4101-08	150 YESC male	15315247			E	E	C	C	C									A	A	A					J-35616-3 (GY)
7114-4102-08	150 YESC male sealed	12094430	E	E														1	1						J-35616-3 (GY)
7114-4103-08	150 YESC male sealed	12094430			E	E	E	C	C									1	1	1					J-35616-3 (GY)
7114-4110-02	280 YESC male	12094430	E	E																					J-35616-5 (PU)
7114-4111-02	280 YESC male	12094430			E	E	C																		J-35616-5 (PU)
7114-4112-02	280 YESC male	12094430																							J-35616-5 (PU)
7114-4120-02	630 YESC male	12094430	E	E	E	E	E																		J-35616-5 (PU)
7114-4121-02	630 YESC male	12094430																							J-35616-43 (RD)
7114-4122-02	630 YESC male	12094430																							J-35616-43 (RD)
7114-4150-02	280 YESC male sealed	12094430	E	E																					J-35616-5 (PU)
7114-4151-02	280 YESC male sealed	12094430			E	E	C																		J-35616-5 (PU)
7114-4152-02	280 YESC male sealed	12094430																							J-35616-5 (PU)
7116-4100-08	150 YESC female	12094430	E	E																					J-35616-2A (GY)
7116-4101-08	150 YESC female	12094430			E	E	E	C	C																J-35616-2A (GY)
7116-4102-08	150 YESC female sealed	12094430	E	E																					J-35616-2A (GY)
7116-4103-08	150 YESC female sealed	12094430			E	E	E																		J-35616-2A (GY)
7116-4110-02	280 YESC female	12094430	E	E																					J-35616-4A (PU)
7116-4111-02	280 YESC female	12094430			E	E	C																		J-35616-35 (VT)
7116-4112-02	280 YESC female	12094430																							J-35616-35 (VT)
7116-4120-02	630 YESC female	12094430	E	E	E	E	E																		J-35616-42 (RD)
7116-4150-02	280 YESC female sealed	12094430	E	E																					J-35616-4A (PU)
7116-4151-02	280 YESC female sealed	12094430			E	E	C																		J-35616-4A (PU)
7116-4152-02	280 YESC female sealed	12094430																							J-35616-35 (VT)



**Yazaki Tray 10**

**CRIMPING MATRIX**

Service Terminal Number	Description	Terminal Removal Tool	Core Crimp										Insulation Crimp										Test Probe			
			.35	.50	.75	.80	1.0	1.5	2.0	2.5	3.0	4.0	5.0	.35	.50	.75	.80	1.0	1.5	2.0	2.5	3.0		4.0	5.0	
7114-1470	180 070 type male	15315247	E	E	E	E	E	E	E	E															J-35616-34 (YE)	
7114-1475	180 S-type male	15315247					E	E	C																	J-35616-34 (YE)
7114-2875	630 M-type male	12094430	E	E																						J-35616-43 (RD)
7114-2876	630 M-type male	12094430					C	C	C	4																J-35616-43 (RD)
7114-2877	630 M-type male	12094430									F											G				J-35616-43 (RD)
7114-4020	220 090-II type male	15315247	E	E																						J-35616-19 (BK)
7114-4021	220 090-II type male	15315247					E	2																		J-35616-19 (BK)
7114-4022	220 090-II type male	15315247								4																J-35616-19 (BK)
7114-4140-02	630 YESC mate sealed	12094430	E	E	E	E	E	C																		J-35616-43 (RD)
7114-4141-02	630 YESC mate sealed	12094430								4																J-35616-43 (RD)
7114-4142-02	630 YESC mate sealed	12094430									A	A	D													J-35616-43 (RD)
7116-1470	180 Y-type female	15315247	E	E	E	E	E	E																		J-35616-33 (YE)
7116-1473	180 070 type female	15315247	E	E	E	E	E	E																		J-35616-33 (YE)
7116-1474	180 S-type female	15315247						E	E	C																J-35616-33 (YE)
7116-2875	630 M-type HD female	12094430	E	E																						J-35616-42 (RD)
7116-2876	630 M-type HD female	12094430					C	C	4	4																J-35616-42 (RD)
7116-2877	630 M-type HD female	12094430																								J-35616-42 (RD)
7116-3250	950 L-type female sealed	12094430									F															J-35616-42 (RD)
7116-3251	950 L-type female sealed	12094430									F	G	G													J-35616-22 (RD)
7116-4121-02	630 YESC female	12094430									C															J-35616-22 (RD)
7116-4122-02	630 YESC female	12094430																								J-35616-42 (RD)
7116-4140-02	630 YESC female sealed	12094430	E	E	E	E	E	C																		J-35616-42 (RD)
7116-4141-02	630 YESC female sealed	12094430																								J-35616-42 (RD)
7116-4142-02	630 YESC female sealed	12094430																								J-35616-42 (RD)
										4																J-35616-42 (RD)
																										J-35616-42 (RD)
																										J-35616-42 (RD)
																										J-35616-42 (RD)
																										J-35616-42 (RD)
																										J-35616-42 (RD)
																										J-35616-42 (RD)
																										J-35616-42 (RD)
																										J-35616-42 (RD)
																										J-35616-42 (RD)
																										J-35616-42 (RD)
																										J-35616-42 (RD)

**Yazaki Tray 11**

**CRIMPING MATRIX**

Service Terminal Number	Description	Terminal Removal Tool	Core Crimp										Insulation Crimp										Test Probe		
			.35	.50	.75	.80	1.0	1.5	2.0	2.5	3.0	4.0	5.0	.35	.50	.75	.80	1.0	1.5	2.0	2.5	3.0		4.0	5.0
7114-1170	220 090 type male	15315247	E																					J-35616-19 (BK)	
7114-1238	280 S-type male	12094430	E	E																				J-35616-5 (PU)	
7114-1239	280 S-type male	12094430				C	C	A	A										B	B	B			J-35616-5 (PU)	
7114-4025	220 090-II type male sealed	15315247	E	E																				J-35616-19 (BK)	
7114-4026	220 090-II type male sealed	15315247					E	E																J-35616-19 (BK)	
7114-4027	220 090-II type male sealed	15315247							2												5			J-35616-19 (BK)	
7114-4031	480 187-type male	12094430	E	E	E	C	C	C																J-35616-19 (BK)	
7114-4032	480 187-type male	12094430							4	4	A										B	B	G	J-35616-41 (BU)	
7114-6041	800 312-type male	12094430							A	A	A													J-35616-41 (BU)	
7114-6042	800 312-type male	12094430																						J-35616-45 (YE)	
7116-1180	220 090 type female	15315247	C/E	C/E																				J-35616-18 (BK)	
7116-1181	220 090 type female	15315247					E	E																J-35616-18 (BK)	
7116-1342	280 S-type female	12094430	E	E																				J-35616-4A (PU)	
7116-1420	220 090-II female sealed	15315247	E	E																				J-35616-18 (BK)	
7116-4020	220 090-II female	15315247	E	E																				J-35616-18 (BK)	
7116-4021	220 090-II female	15315247					E	2																J-35616-18 (BK)	
7116-4022	220 090-II female	15315247								4														J-35616-18 (BK)	
7116-4025	220 090-II female sealed	15313892	E	E																				J-35616-18 (BK)	
7116-4026	220 090-II female sealed	15313892					E	E																J-35616-18 (BK)	
7116-4027	220 090-II female sealed	15313892							2															J-35616-18 (BK)	
7116-4031	480 187-type female	12094430	C/E	C/E	C	C	C	C																J-35616-40 (BU)	
7116-4032	480 187-type female	12094430							4	A	A													J-35616-40 (BU)	
7116-6041	800 312-type female	12094430							A	A	A													J-35616-44 (YE)	
7116-6042	800 312-type female	12094430																						J-35616-44 (YE)	





## Yazaki Tray 13

### CRIMPING MATRIX

Service Terminal Number	Description	Terminal Removal Tool	Core Crimp										Insulation Crimp										Test Probe					
			.35	.50	.75	.80	1.0	1.5	2.0	2.5	3.0	4.0	5.0	.35	.50	.75	.80	1.0	1.5	2.0	2.5	3.0		4.0	5.0			
7157-3646	220 cable seal - Gry.	N/A																									N/A	
7157-3648	220 090-ll cable seal - Blk	N/A																										N/A
7157-3852	480 cable seal - Blk.	N/A																										N/A
7157-3891	280 cable seal - Blk. Brn.	N/A																										N/A
7157-3920-40	100 cable seal - Gry.	N/A																										N/A
7157-3950-80	100 cable seal - Org. Blk.	N/A																										N/A
7157-3976-60	100 cable seal - Lt. Grn. Brn.	N/A																										N/A
7157-3977-50	100 cable seal - Pink Brn.	N/A																										N/A
7157-7811-80	180 SWP-type cable seal - Org. Brn.	N/A																										N/A
7157-7812	180 SWP-type cable seal - Blk. Brn.	N/A																										N/A
7157-7935	280 cable seal - Org. Blk.	N/A																										N/A
7158-3006-90	220 cable seal - Blu.	N/A																										N/A
7158-3007-10	220 cable seal - Gry.	N/A																										N/A
7158-3008-80	220 cable seal - Brn.	N/A																										N/A
7158-3030-50	150 YESC cable seal - Red	N/A																										N/A
7158-3031-90	150 LKS cable seal - Blu.	N/A																										N/A
7158-3032-60	150 YESC cavity plug - Grn.	N/A																										N/A
7158-3080-60	630 YESC cavity plug - Grn.	N/A																										N/A
7158-3081-50	630 YESC cable seal - Red	N/A																										N/A
7158-3082-90	630 YESC cable seal - Blu.	N/A																										N/A
7158-3083	630 YESC cable seal - Blk.	N/A																										N/A
7158-3111-60	280 cable seal - Grn.	N/A																										N/A
7158-3112-70	280 cable seal - Lt. Org.	N/A																										N/A
7158-3113-40	280 cable seal - Wht.	N/A																										N/A

**Yazaki Tray 14**

**CRIMPING MATRIX**

Service Terminal Number	Description	Terminal Removal Tool	Core Crimp										Insulation Crimp										Test Probe		
			.35	.50	.75	.80	1.0	1.5	2.0	2.5	3.0	4.0	5.0	.35	.50	.75	.80	1.0	1.5	2.0	2.5	3.0		4.0	5.0
			E	E	E	C	C							A	A	A	A	A							
7114-1050	280 PA-type male	12094430																						J-35616-5 (PU)	
7114-1257-02	130 050-type male	15315247	E																					J-35616-13 (BU)	
7114-3250	950 L-type male	12094430								F	G	G								3	3	3		J-35616-21 (RD)	
7114-3251	950 L-type male sealed	12094430								F										3				J-35616-21 (RD)	
7114-4036	480 187 type male sealed	12094430				E	C																	J-35616-41 (BU)	
7114-4037	480 187 type male sealed	12094430						4	A	A										5	5	5		J-35616-41 (BU)	
7114-4060-02	130 050-type male sealed	15315247	E	E																				J-35616-13 (BU)	
7114-4231-08	100 040-III type female	15315247	K	E																				J-35616-16 (L-GN)	
7114-4720-02	.64 YESC male	15315247	H	J																				J-35616-65B (L-BU)	
7114-4721-02	.64 YESC male	15315247				J	K																	J-35616-65B (L-BU)	
7114-6046	800 312-type male sealed	12094430						A	A	A														J-35616-45 (YE)	
7114-6047	800 312-type male sealed	12094430																						J-35616-45 (YE)	
7116-1257-02	130 050-type female	15315247	E	E																				J-35616-12 (BU)	
7116-4035	480 187-type female	12094430				E	E																	J-35616-40 (BU)	
7116-4036	480 187-type female sealed	12094430																						J-35616-40 (BU)	
7116-4037	480 187-type female sealed	12094430																						J-35616-40 (BU)	
7116-4060-02	130 050-type female sealed	15315247	E	E																				J-35616-12 (BU)	
7116-4231-08	100 040-III type female	15315247	K	E																				J-35616-16 (L-GN)	
7116-4720-02	.64 YESC female	15315247	H	J																				J-35616-64B (L-BU)	
7116-4721-02	.64 YESC female	15315247				J	K																	J-35616-64B (L-BU)	
7116-6046	800 312-type female sealed	12094430						A	A	A														J-35616-44 (YE)	
7116-6047	800 312-type female sealed	12094430																						J-35616-44 (YE)	
SAIT-A03T-M064	.64 AIT female	J-38125-215A	P	P																				J-35616-64B (L-BU)	
SAITS-A03T-M064	.64 AIT female sealed	J-38125-215A	9	9																				J-35616-64B (L-BU)	

**Yazaki Tray 15**

**CRIMPING MATRIX**

Service Terminal Number	Description	Terminal Removal Tool	Core Crimp										Insulation Crimp										Test Probe		
			.35	.50	.75	.80	1.0	1.5	2.0	2.5	3.0	4.0	5.0	.35	.50	.75	.80	1.0	1.5	2.0	2.5	3.0		4.0	5.0
1-1411593-1	280 ELO female sealed	15315247				E	E																	J-35616-4A (PU)	
1393457-5	280 cavity plug - Wht.	N/A																						N/A	
1393458-1	280 ELO cable seal - Blu.	N/A																						N/A	
1411558-2	.64 ELO female	12094429	J	J	K	K													J	J	K	K		J-35616-64B (L-BU)	
172749-2	630 cavity plug - Gry.	N/A																						N/A	
173633-3	180 Multi-Lock male	15315247	E	E	E	E	2												4	4	4	A	A	J-35616-34 (YE)	
175266-5	100 Multi-Lock female	15315247	J	K	K	K	E												J	K	K	K	4	J-35616-16 (L-GN)	
1-962915-3	280 JPT male sealed	J-38125-212	E	E	E	E	E												1	1	1	1	1	J-35616-5 (PU)	
2 21 24 61420 0	120 MLK female	15381651-2					K																	J-35616-16 (L-GN)	
2-1411578-2	.64 ELO female sealed	12094429	7	7															7	7				J-35616-64B (L-BU)	
4-964273-1	280 JPT female sealed	12093647					E	E	C	C	C								1	1	5	5	5	J-35616-4A (PU)	
50420-8000	150 OBD female	12094429	H																H					J-35616-2A (GY)	
828904-1	280 JPT cable seal - Lt. Blu.	N/A																						N/A	
828922-1	280 MCP cavity plug - Clr.	N/A																						N/A	
928999-5	.64 MQS female	12094429	H	J	J	K													H	J	J	K		J-35616-64B (L-BU)	
962885-5	.64 MQS female sealed	12094429	6	6	7	7													6	6	7	7		J-35616-64B (L-BU)	
963143-1	.64 MQS cavity plug - Wht.	N/A																						N/A	
963292-1	280 JPT cable seal - Yel.	N/A																						N/A	
963293-1	280 JPT cable seal - Brn.	N/A																						N/A	
964280-2	280 JPT female	12093647	E	E															2	C				J-35616-4A (PU)	
967056-1	.64 MQS cavity plug - Lt. Blu.	N/A																						N/A	
967067-1	.64 MQS cable seal - Grn.	N/A																						N/A	
967067-2	.64 MQS cable seal - Yel.	N/A																						N/A	

**Yazaki Tray 27**

**CRIMPING MATRIX**

Service Terminal Number	Description	Terminal Removal Tool	Core Crimp										Insulation Crimp										Test Probe		
			.35	.50	.75	.80	1.0	1.5	2.0	2.5	3.0	4.0	5.0	.35	.50	.75	.80	1.0	1.5	2.0	2.5	3.0		4.0	5.0
1 08 00 44452 3	280 SLK cable seal - Red	N/A																							N/A
1062-12-0166	250 round female	J-38125-26								A										D					J-35616-37 (L-BU)
1062-16-0622	150 round female	J-38125-27			E	C											C	C							J-35616-66 (YE)
175091-1	480 Econoseal female sealed	15315247						A	4	4	4									5	5	5			J-35616-40 (BU)
2 21 24 47297 0	280 SLK female	15314260					4/C														1				J-35616-4A (PU)
2 21 40 49206 0	280 SLK female sealed	12093647			E	E																			J-35616-4A (PU)
7114-4618-02	.64 Kiazen male	J-38125-215A	P	P																					J-35616-65B (L-BU)
7116-1050	280 PA-type female	12094430	E	E	C	C														A	A	A			J-35616-4A (PU)
7116-1261	100 120 SP-type female	12152110	J	K																					J-35616-16 (L-GN)
7116-1531	220 E-Type female sealed	15315247					E	C	C											1	1	1			J-35616-18 (BK)
7116-2033-02	630 250 type female	12094430								A													B		J-35616-42 (RD)
7116-2951-02	630 SEL 250 type female	12094430					C	C	C	C										A	D	D	B		J-35616-42 (RD)
7116-2952-02	630 SEL 250 type female	12094430	E	C																					J-35616-42 (RD)
7116-3252	950 L-type female sealed	12094430							E													3			J-35616-22 (RD)
7157-3580-60	950 Y-type cable seal - Grn	N/A																							N/A
7157-3791-60	280 E-Type cable seal - Grn.	N/A																							N/A
7157-8767	220 090-II cavity plug - Blk.	N/A																							N/A
7158-3114-90	280 cavity plug - Blu.	N/A																							N/A
7158-3116-50	280 cable seal - Red	N/A																							N/A
7158-3374-90	150 YESC cable seal - Blu.	N/A																							N/A
7158-3503-50	.64 Kaizen cavity plug - Red Org.	N/A																							N/A
7158-3504-80	.64 Kaizen cable seal - Brn.	N/A																							N/A
7158-3505-40	.64 Kaizen cable seal - Grey	N/A																							N/A
SAIT-A036F-M064	.64 AIT female	J-38125-215A	P	P																					J-35616-64B (L-BU)



**TO ORDER CALL  
1-800-GMTOOLS (800-468-6657)**

