



Retractable & X-Banner Stands

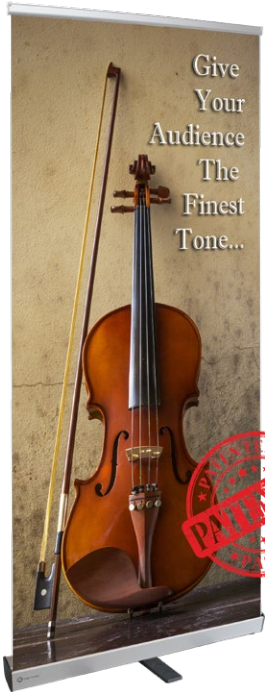
**SINGLE-SIDED/ DOUBLE-SIDED/
DELUXE & EXCLUSIVE BANNER STANDS**

RETRACTABLE BANNER STANDS

Retractable banner stands are the most common method of portable advertising in this industry. Our choices of banner stands range from price to style based on your budget and design in mind.

Cube - Economy Banner Stands

The Cube retractable is an exclusive, favorable model with optional accessories available to conveniently design or maneuver the stands suitable for your layout.



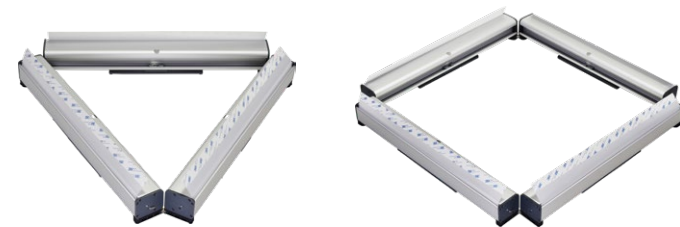
- Resourceful and Sleek Design
- Available in sizes 24, 31.5 and 33.5 inches wide
- Reinforced with End Caps and Footing
- Clamp Top Profile
- Canvas Bag included



Item No.	Qty./Carton	Carton Weight	Carton Dimensions	Graphic Trim Size
BT-CUBE-24-SLV	9	33 Lbs.	11" x 11" x 26"	23.62" x 80.30"
BT-CUBE-31.5-SLV	9	39 Lbs.	11" x 11" x 34"	31.50" x 80.30"
BT-CUBE-33.5-SLV	9	41 Lbs.	11" x 11" x 36"	33.46" x 80.30"

Cube Link - Link your Cubes

Create new environments for your banner stands by using the new Cube Link. The connectors link and swivel Cube stands up to 180 degrees. Link a pair or more; the choices are endless.



Examples of Linking Options



RETRACTABLE BANNER STANDS

Doppio - Double-sided Banner Stands

Create a double-sided banner stand out of 2 Cube stands.

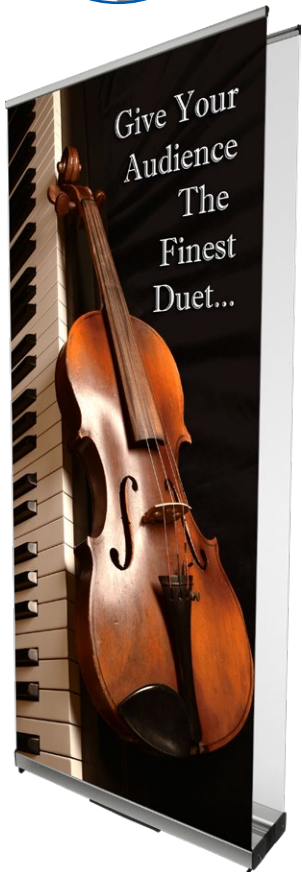


Arch Profile Connector

- Package includes 2 Cubes and a set of Cube-Connectors
- Available in sizes 24, 31.5 and 33.5 inches wide
- Tool-free Installation



ACC-CUBE-CON



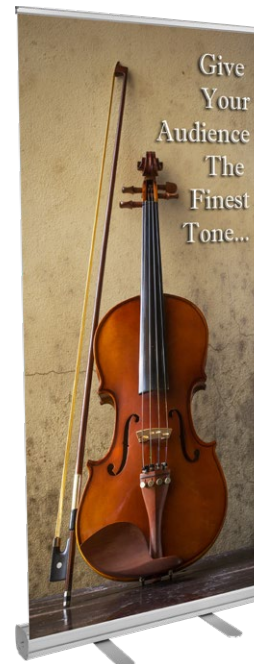
Item No.	Included	Item Weight
BT-DOPPIO-24-SLV	2 CUBE-24, 1 set CUBE-CON	8 lbs
BT-DOPPIO-31.5-SLV	2 CUBE-31.5, 1 set CUBE-CON	9 lbs
BT-DOPPIO-33.5-SLV	2 CUBE-33.5, 1 set CUBE-CON	10 lbs

Item No.	Qty./Carton	Carton Weight	Carton Dimensions
ACC-CUBE-CON	1	0.625 lb.	8.25" x 3.25" x 3.25"

Persto - Economy Banner Stands

The Persto is our most popular retractable banner stand. It comes with 2 solid feet and a variety of sizes. Choose from available sizes below.

- Clamp Top Profile
- Silver Finish:
24", 31.5", 33.5", 36", 39", 48"
- Black Finish:
24", 31.5" and 33.5"
- Double Swing Feet
- Padded Canvas Bag included



Optional Halogen Light
ACC-L-RBS



Item No.	Qty./Carton	Carton Weight	Carton Dimensions	Graphic Trim Size
BT-2E-24-BLK	6	34 Lbs.	13" x 9" x 27"	23.62" x 80.30"
BT-2E-24-SLV	6	33 Lbs.	13" x 9" x 27"	23.62" x 80.30"
BT-2E-31.5-BLK	6	40 Lbs.	13" x 9" x 35"	31.5" x 80.30"
BT-2E-31.5-SLV	6	39 Lbs.	13" x 9" x 35"	31.5" x 80.30"
BT-2E-33.5-BLK	6	42 Lbs.	13" x 9" x 37"	33.46" x 80.30"
BT-2E-33.5-SLV	6	41 Lbs.	13" x 9" x 37"	33.46" x 80.30"
BT-2E-36-SLV	6	43 Lbs.	13" x 9" x 39"	35.43" x 80.30"
BT-2E-39-SLV	6	46 Lbs.	13" x 9" x 43"	39.37" x 80.30"
BT-2E-48-SLV	6	56 Lbs.	13" x 9" x 50"	47.24" x 80.30"

RETRACTABLE BANNER STANDS

Le Plus - Deluxe Banner Stands

The Le Plus features a full face graphic and unique characteristics that sets it apart from its competition. Magnets are embedded in the base and top profile, allowing the user to attach multiple units to create a continuous display.

- Available in Sizes 33.5", 36", 60" and 90"
- Twist Telescopic Pole Extending up to 96" High
- Tension Control
- Magnetic Base & Clamp Top Profile
- Padded Canvas Bag with a Horizontal Opening included



BT-QS-90-SLV



BT-QS-36-SLV
BT-QS-33.5-SLV



BT-QS-60-SLV

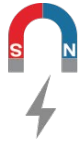


Optional
Halogen Light
ACC-L-RBS

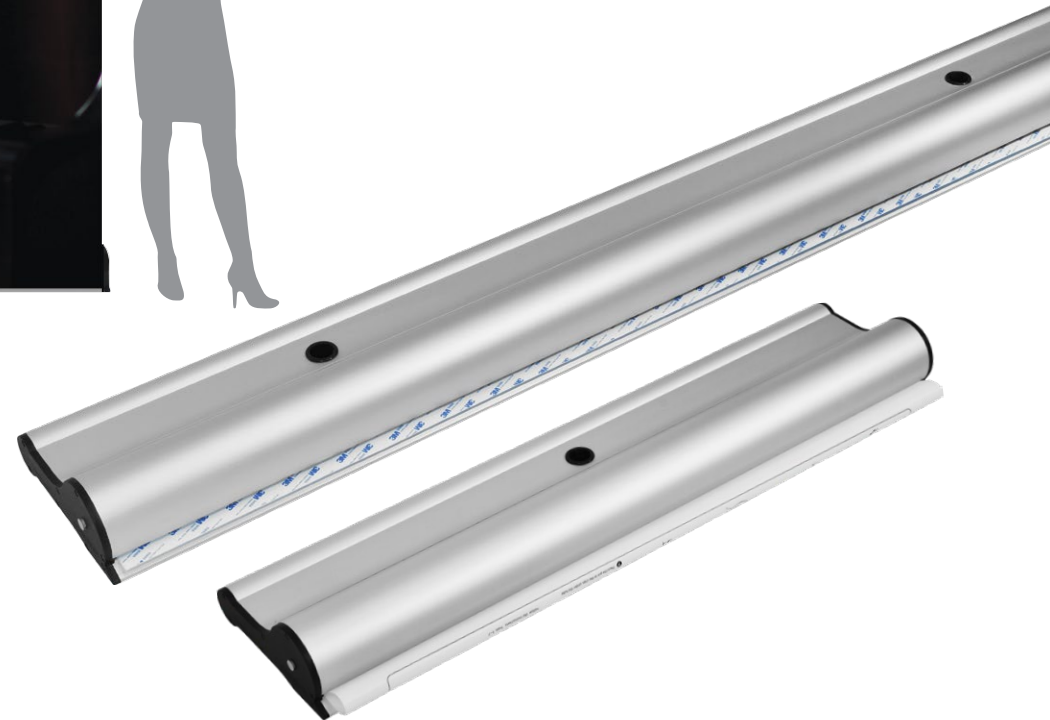
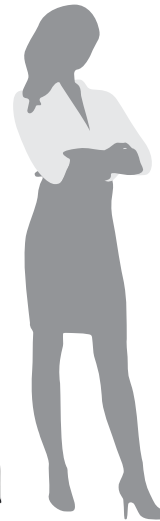
Item No.	Qty./Carton	Carton Weight	Carton Dimensions	Graphic Trim Size
BT-QS-33.5-SLV	2	25 Lbs.	9" x 9" x 37"	33.5" x (36.25"~ 96")
BT-QS-36-SLV	2	26 Lbs.	9" x 9" x 38"	36" x (36.25"~ 96")
BT-QS-60-SLV	2	45 Lbs.	10" x 9" x 63"	60" x (36.25"~ 96")
BT-QS-90-SLV	1	28 Lbs.	10" x 5" x 93"	90" x (36.25"~ 96")

RETRACTABLE BANNER STANDS

Le Plus - Deluxe Banner Stands (continued)



Embedded magnets to connect multiple units



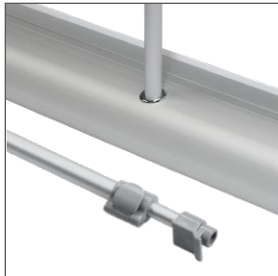
RETRACTABLE BANNER STANDS

Shermo Lite - Deluxe Banner Stands

The Shermo Lite is one of our top retractable banner bases. It is sturdy and comes in the most popular size of 33.5 inches.



- Clamp Top Profile
- Clip Telescopic Pole Extending up to 88" High
- Deluxe Chrome Finish End Caps
- Padded Canvas Bag with a Horizontal Opening included



Item No.	Qty./Carton	Carton Weight	Carton Dimensions	Graphic Trim Size
BT-K1E-33.5-SLV	4	40 Lbs.	19" x 10" x 38"	33.46" x (64.50"~ 88.06")

Insegna - Deluxe Banner Stands

The Insegna is our higher-end retractable banner stand. It has a heavy-duty base and comes with a gray hard case for travel and storage.



- Clamp Top Profile
- Clip Telescopic Pole Extending up to 93" High
- Deluxe Chrome Finish End Caps
- Gray Hard Case included
- Available in Silver & Black



Item No.	Qty./Carton	Carton Weight	Carton Dimensions	Graphic Trim Size
BT-04-2-24-SLV	4	49 Lbs.	25" x 10" x 30"	24" x (85.45"~ 93.45")
BT-04-2-36-BLK	4	66 Lbs.	25" x 10" x 41"	36" x (70.45"~ 93.45")
BT-04-2-36-SLV	4	65 Lbs.	25" x 10" x 41"	36" x (70.45"~ 93.45")
BT-04-2-48-BLK	2	44 Lbs.	13" x 10" x 53"	48" x (70.45"~ 93.45")
BT-04-2-48-SLV	2	43 Lbs.	13" x 10" x 53"	48" x (70.45"~ 93.45")

RETRACTABLE BANNER STANDS

Minuto - Tabletop Banner Stands

The Minuto is a desktop retractable banner stand with the same look of a general stand. Available in 2 sizes; made to rest on table tops and counters.

- Mini Table Top Profile
- Aluminum Base
- 2-Section Mini Pole
- Deluxe Chrome Finished End Caps



BT-MINUTO-A3



BT-MINUTO-A4



Item No.	Qty./Carton	Carton Weight	Carton Dimensions	Graphic Trim Size
BT-MINUTO-A3	50	39 Lbs.	19" x 9" x 28"	11.7" x 17.75"
BT-MINUTO-A4	50	29 Lbs.	18" x 9" x 21"	8.30" x 13.15"

Vela - Wind Resistant, Double-sided Stand

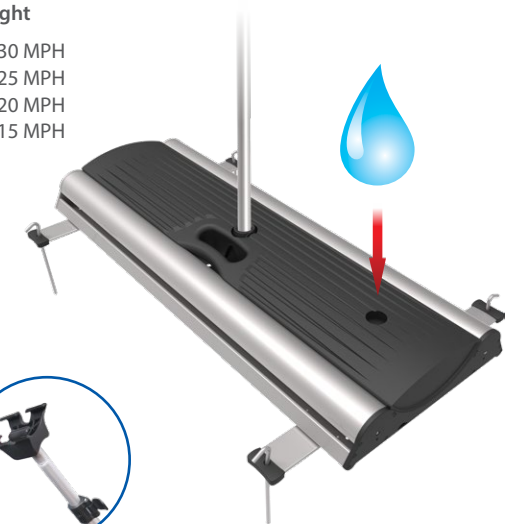
This specialty retractable banner comes with a removable water filler center for extra, natural support. The finished petal footing extends the balance on the stand in heavier weather conditions. Also comes with ground spikes to hold your message in place within softer platforms. Don't forget, it's double-sided!

- Heavy Duty Base Made for the Outdoors
- Water Filler Base Capacity: 8.6L
- Graphic Height Extends up to 80"
- Single or Double-sided Graphics
- Canvas Bag included



Wind Resistance by Height

- 63"H: 30 MPH
- 67"H: 25 MPH
- 71"H: 20 MPH
- 80"H: 15 MPH

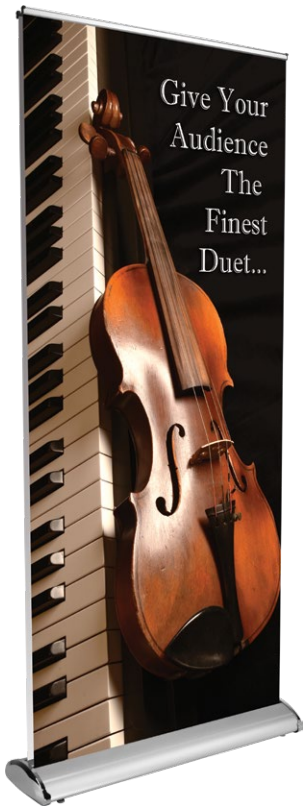


Item No.	Qty./Carton	Carton Weight	Carton Dimensions	Graphic Trim Size
BT-VELA	1	20 Lbs.	40" x 6" x 15"	33.46" x (40"-80.30")

RETRACTABLE BANNER STANDS

Duo - Double-sided Banner Stands

A double-sided stand capable of showcasing duo graphics. The design has a space saving base and Magnetic End Caps, while having a similar design to our deluxe banner stand, Shermo Lite.



- Clamp Top Profile
- 3-Section Pole
- Double-sided Banner Presentation
- Chrome Caps w/Magnetic Closure
- Padded Canvas Bag included



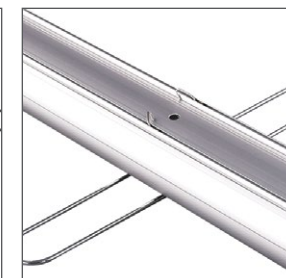
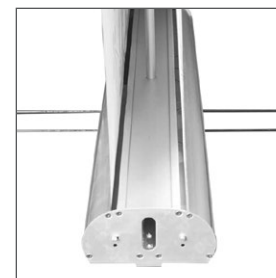
Item No.	Qty./Carton	Carton Weight	Carton Dimensions	Graphic Trim Size
BT-DUO-33.5-SLV	4	65 Lbs.	20" x 10" x 38"	33.46" x 80.30"

Unda - Double-sided Banner Stands

The Unda is our original double-sided retractable banner stand. This stand is an ideal choice to showcase 2 banners at the same time. It comes in the most popular size of 33.5" and a specialty framed base.



- Clamp Top Profile
- 3-Section Pole
- Double-sided Banner Presentation
- Padded Canvas Bag included



Item No.	Qty./Carton	Carton Weight	Carton Dimensions	Graphic Trim Size
BT-7-33.5-SLV	3	36 Lbs.	13" x 8" x 36"	33.46" x 80.30"

The Sigtific® series of retractable banner stands is our exclusive patented design. These designs offer a replaceable roll up cartridge and interchangeable MAG system leader that allow the user to easily switch between banners.



Tinta - Exclusive Banner Stands

Our Tinta model in our exclusive Sigtific® series features a magnetic removable cartridge with a sharp design. Available in silver and black, this high-end stand can be merchandised in various settings.

- Interchangeable MAG System Leader
- **Interchangeable Cartridge**
- Clip Telescopic Pole Extending **up to 88" High**
- Tension Control
- Deluxe Padded Canvas Bag included
- Available in **Silver & Black**



Item No.	Qty./Carton	Carton Weight	Carton Dimensions	Graphic Trim Size
STF-50-2-33.5-BLK	4	49 Lbs.	11" x 9" x 37"	33.46" x (64.50"~ 88.06")
STF-50-2-33.5-SLV	4	49 Lbs.	11" x 9" x 37"	33.46" x (64.50"~ 88.06")



RETRACTABLE BANNER STANDS

SIGNTIFIC®

Di Base - Exclusive Banner Stands

The Di Base model stands alone while exposing its unique replaceable magnetic cartridge. This is the first of its kind to have a simplified, yet exquisite design.

- Interchangeable MAG System Leader
- Clip Telescopic Pole Extending up to 96" High
- Tension Control
- Deluxe Padded Canvas Bag included



Item No.	Qty./Carton	Carton Weight	Carton Dimensions	Graphic Trim Size
STF-41-2-33.5-SLV	2	17 Lbs.	9" x 7" x 38"	33.46" x (34.52" ~ 95.94")

De Luxe - Exclusive Banner Stands

The De Luxe model is a display within a display. Not only does this stand contain a replaceable magnetic cartridge, the base also provides a front slot to insert an additional graphic or logo.

- Any Graphic Material applicable for **Front Slot**
- **Interchangeable Cartridge**
- Interchangeable MAG System Leader
- Clip Telescopic Pole Extending up to 96" High
- Tension Control
- Deluxe Padded Canvas Bag included



Insert Graphic Logo Here (34.05" x 3.6")



Item No.	Qty./Carton	Carton Weight	Carton Dimensions	Graphic Trim Size
STF-38-33.5-SLV	2	29 Lbs.	11" x 10" x 38"	33.46" x (34.52" ~ 95.94")



SIGNTIFIC®

Passade - Exclusive Banner Stands

The Passade model is designed to own the platform it stands on and maintain its stability. Easily switch between banner graphics with the replaceable magnetic cartridge.

- Clip Telescopic Pole Extending up to 96" High
- Tension Control
- **Interchangeable Cartridge**
- Interchangeable MAG System Leader
- Deluxe Padded Canvas Bag included



Item No.	Qty./Carton	Carton Weight	Carton Dimensions	Graphic Trim Size
STF-40-33.5-SLV	2	31 Lbs.	10" x 9" x 38"	33.46" x (34.52" ~ 95.94")

Sosie - Exclusive Banner Stands

Our Sosie model is an inspiration branching from our Di Base model. This design was built as a double-sided version and also functions with the interchangeable magnetic leader.

- **Double-sided** Banner Stand
- Interchangeable MAG System Leader
- Clip Telescopic Pole Extending up to 96" High
- Tension Control
- Deluxe Padded Canvas Bag included



Item No.	Qty./Carton	Carton Weight	Carton Dimensions	Graphic Trim Size
STF-42-33.5-SLV	2	27 Lbs.	9" x 9" x 38"	33.46" x (34.52" ~ 95.94")

X-BANNER STANDS

X-Banners are the most economical option of portable advertising. Our stands are lightweight and provide an easy set up for travel friendliness.

Exto - X-Banner Stand

The Exto X-Banner is one of the leading ways to display a sign. Its simple set up makes this stand a traditional, yet everyday sign holder.

- Available in 24", 31.5" and 48"
- Lightweight & Portable for Easy Transport
- Carry Bag included



BT-X-48-BLK

BT-X-24-BLK
BT-X-31.5-BLK

Item No.	Qty./Carton	Carton Weight	Carton Dimensions	Graphic Trim Size
BT-X-24-BLK	10	27 Lbs.	10" x 9" x 42"	23.62" x 66.99"
BT-X-31.5-BLK	10	29 Lbs.	10" x 9" x 46"	31.50" x 74.87"
BT-X-48-BLK	10	37 Lbs.	10" x 9" x 55"	47.24" x 82.74"

Ragno - Adjustable X-Banner Stand

Our Ragno display stand is our latest addition to our X-banner selection. This unit comes together by connecting the legs to the vertebrae of the stand. The adjustable body of the frame provides more options to this classic display.

- Adjustable Graphic in Height & Length
- Upgraded Contemporary Design
- Easy Transport
- Carry Bag included



Item No.	Qty./Carton	Carton Weight	Carton Dimensions	Graphic Trim Size
BT-RAGNO	25	41 Lbs.	13" x 9" x 39"	(24"~31") x (63"~71")