

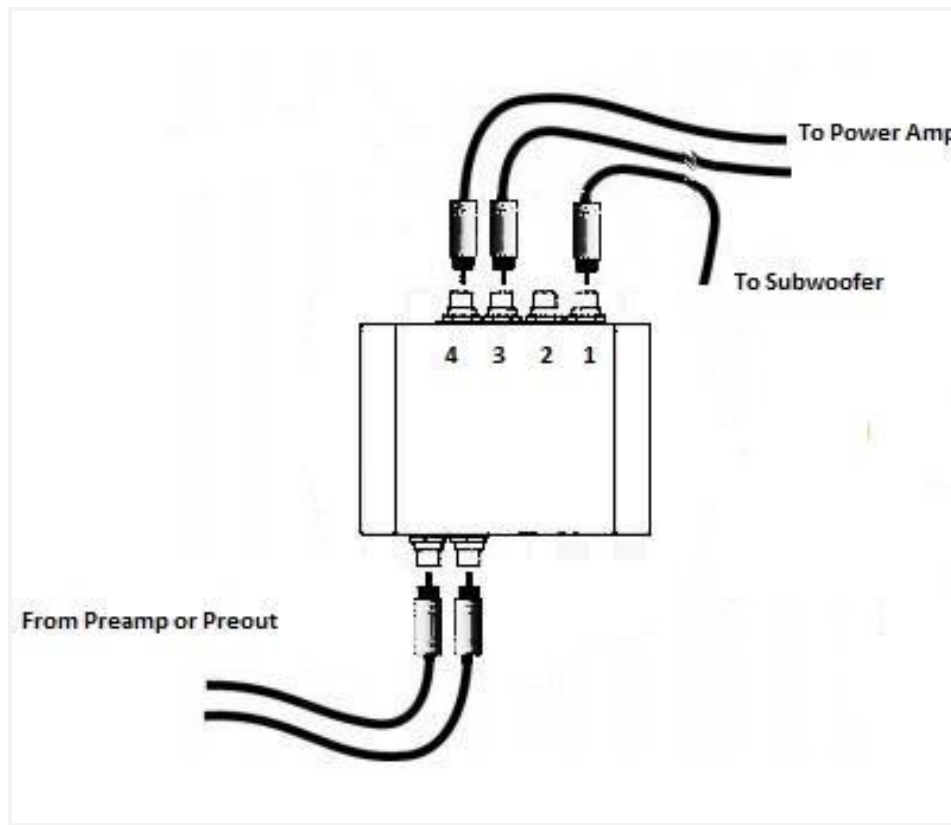


# EQ901PS

## EQ901 PS Setup

Your EQ901 PS equalizer is set to the 0.9 Vrms setting and should be compatible with most pre-amplifier / amplifier installations. If you are experiencing excessive signal level or distortion, you may need to switch the unit to the 2.0 Vrms setting. See the User Guide for instructions.

This EQ901 PS equalizer is set to install on your pre-amplifier output (input 1, 2) and then connect to your power amplifier input (output 3, 4) and to your powered subwoofer (output 1 and / or 2).



**Please contact us with any questions or comments:**

[deercreekaudio.com](http://deercreekaudio.com) / [staff@deercreekaudio.com](mailto:staff@deercreekaudio.com) / 720.726.9272