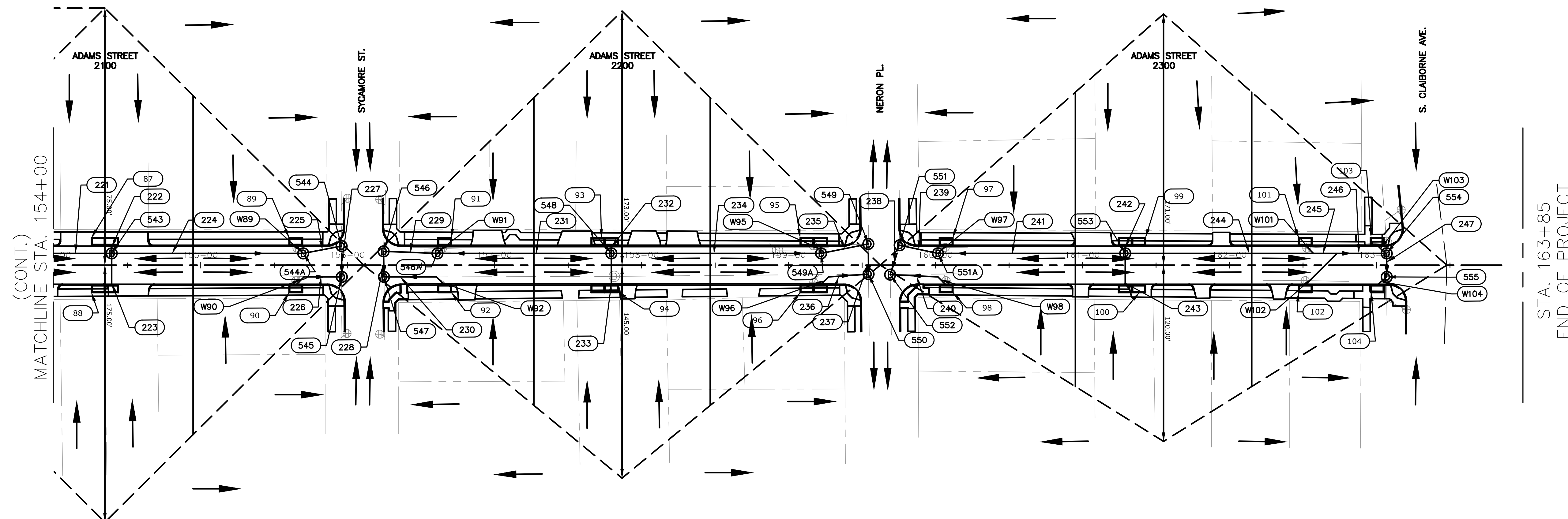


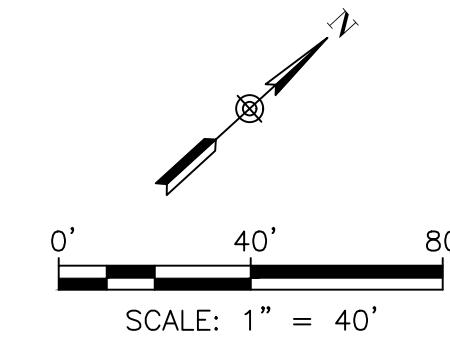
PROPOSED DRAINAGE MAP: ADAMS STREET (STA. 144+00 THRU STA. 154+00)

SCALE : 1" = 40'



PROPOSED DRAINAGE MAP: ADAMS STREET (STA. 154+00 THRU STA. 163+85)

SCALE : 1" = 40'



SHEET NUMBER 47 OF 127	
NO.	DATE
REVISION	DESCRIPTION
BY	
BCG ENGINEERING & CONSULTING	
3012, 26TH STREET, METAIRIE, LA 70002	
DESIGNED	BCG
CHECKED	BCG
DATE	7/18/2022
SHEET	RR034-C30-DRAINAGE-PRO
SCALE	AS SHOWN
PROJECT	RR216 - EAST CARROLLTON GROUP B & C
CITY OF NEW ORLEANS, DEPARTMENT OF PUBLIC WORKS	
PROJECT NO.	RR-216
DRAINAGE MAPS - DRAINAGE-PRO	STA. 144+00 - STA. 163+85