

Bolt Set for Spike Everflex™

Compatible with the following:

Power-Pole standard 6' 2008

Power-Pole XL 8' 2008

Power-Pole Pro Series 6' or 8'
2009

Sportsman Series 6' or 8' 2009

Signature Series 4', 6', & 8' 2010

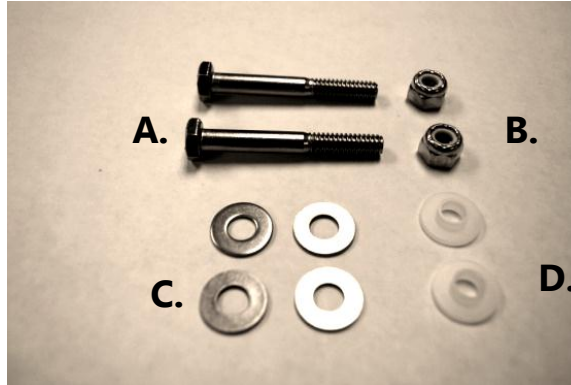
Hardware

A. Qty (2) 1/4" x 2" Spike Everflex Bolt

B. Qty (2) 1/4" Tall nylon lock brass nut

C. Qty (4) 1/4" Washer

D. Qty (2) 1/4" White bushing



Installation Tools

- 7/16" Socket with Ratchet
- 7/16" Wrench
- Small Rubber Mallet hammer

Installation Bolt Set

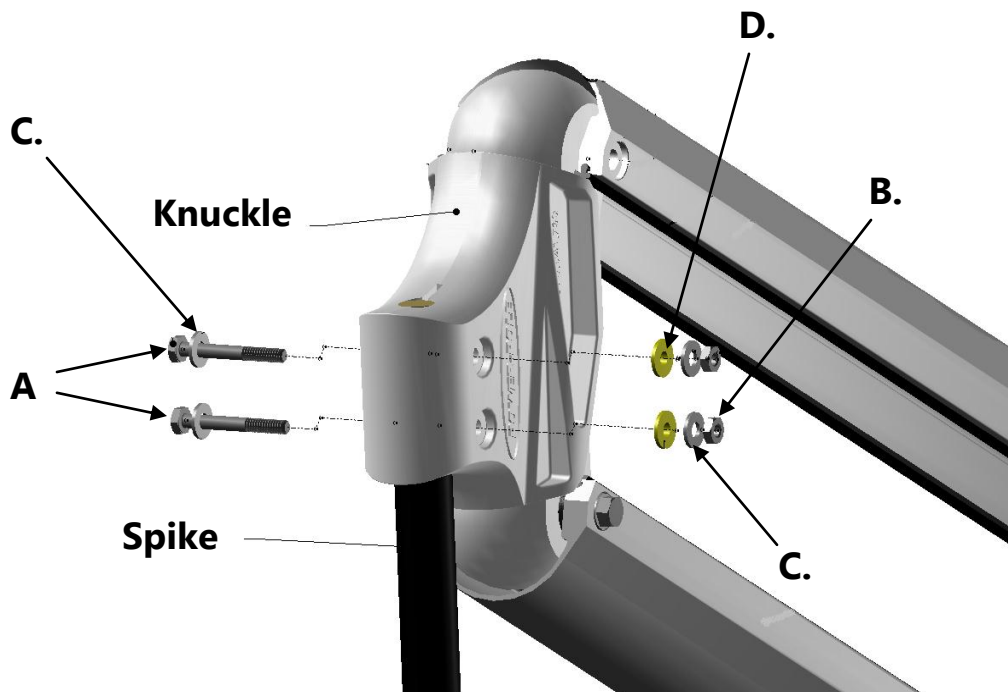
Step 1 Insert spike Everflex™ up into knuckle with grooves aligning the holes.

Step 2 Insert each bolt A through washer C.

Step 3 Insert dressed bolts A through knuckle and spike Everflex™. *Note:* May require a small rubber mallet hammer to hammer bolt on through knuckle and Everflex™ spike.

Step 4 Insert each white bushing D onto both bolt ends A with small flange facing inward towards knuckle.

Step 5 Place washers C onto both bolt ends A followed by threading lock nuts B on and tighten.



For technical support please call 813-689-9932 opt 2.