

# IMPORTANT! REGISTER YOUR NEW DOWNRIGGER



To validate your warranty, register your new product online at [www.power-pole.com](http://www.power-pole.com)  
or fill out and submit this registration card.

Name \_\_\_\_\_  
Address \_\_\_\_\_  
City \_\_\_\_\_ State \_\_\_\_\_ Zip \_\_\_\_\_  
Email address \_\_\_\_\_  
Date of purchase \_\_\_\_\_ Age \_\_\_\_\_  
Place of purchase \_\_\_\_\_  
Type of boat \_\_\_\_\_ Length \_\_\_\_\_  
*I have read and understand the warranty of this product.*  
Signature \_\_\_\_\_

## One (1) year warranty

### Conditions of warranty

The Downrigger accessory is manufactured by JL Marine Systems Inc., is warranted against defects in material and workmanship to the original owner according to the following stipulations.

1. The Downrigger warranty is activated on the date of purchase by JL Marine Systems, Inc. **You may register your Downrigger on our web site** or send in the registration card. Please retain your sales receipt as proof of purchase.
2. Install Genuine Power-Pole Merchandise ONLY. This warranty is void if any non authorized parts are used or installed.
3. This warranty is void if the Downrigger is used commercially structurally altered or subject to stress beyond the physical limits of the manufactured material.
  1. Parts which prove defective within (90) days from the date of purchase, JL Marine Systems, Inc. will pay for the replacement product shipping and handling fees to and from the JL Marine Systems, Inc. manufacturing plant or some other place which JL Marine Systems, Inc. might designate. Warranty shipping procedures only apply in the continental USA.
  2. Parts which prove defective after (90) days but before (12) months from the date of purchase will also be repaired or replaced free of charge, but there may be a shipping charge to JL Marine Systems, Inc. manufacturing plant or some other place which JL Marine Systems, Inc. might designate. Warranty shipping procedures only apply in the continental USA.

THE WARRANTY CONTAINED HEREIN IS THE EXCLUSIVE WARRANTY MADE BY JL Marine Systems, Inc. AND THERE ARE NO OTHER WARRANTIES, EXPRESSED OR IMPLIED, INCLUDING A WARRANTY OF FITNESS FOR A PARTICULAR PURPOSE OR OF MERCHANTABILITY MADE WITH RESPECT TO SUCH ANCHORS. JL MARINE SYSTEMS, INC. IS NOT LIABLE FOR ANY INJURY OR MISHAPS SUSTAINED IN THE USE OF THIS PRODUCT. THE USER OF THIS PRODUCT ACKNOWLEDGES ASSUMED RISKS AND WAIVES ANY AND ALL CLAIMS AGAINST JL Marine Systems, Inc. AND ANY OF IT'S AGENTS.

This warranty applies under conditions of normal use. The warranty does not cover:

- 1) defects caused by improper assembly or disassembly;
- 2) defects occurring after purchase due to product modification, intentional damage, accident, misuse, abuse, negligence or exposure to corrosive elements;
- 3) cosmetic damage and
- 4) labor or assembly costs.

Except as provided herein, JL Marine Systems, Inc. makes no express warranties, and any implied warranty, including without limitation any implied warranty of merchantability or fitness for a particular purpose, is limited in its duration to the duration of the written limited warranty set forth herein.

Except as provided herein, JL Marine Systems, Inc. shall have no liability or responsibility to the purchaser or any other person or entity with respect to any liability, loss or damage caused or alleged to be caused directly or indirectly by use of the product, including, but not limited to, any incidental or consequential damages. Some states do not allow limitation on how long an implied warranty lasts or the exclusion of limitation of incidental or consequential damages, so the above limitation and exclusion may not apply to you. This warranty gives you specific legal rights. You may also have other rights which vary from state to state.

## Downrigger Installation Instructions

### Step 1 Install the mounting stirrup

Remove the 2, 1/4" bolts from the knuckle of the Power-Pole. (Figure 1)

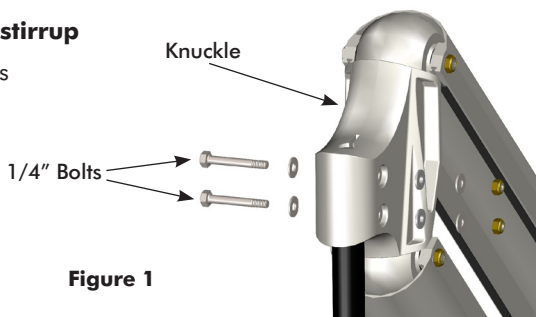


Figure 1

Place  
First-Class  
Postage  
Post office will not  
deliver without  
proper postage.



**JLMarine**  
SYSTEMS, INC.

9208 Palm River Road  
Suite 303  
Tampa, FL 33619

## Installation Instructions – Continued

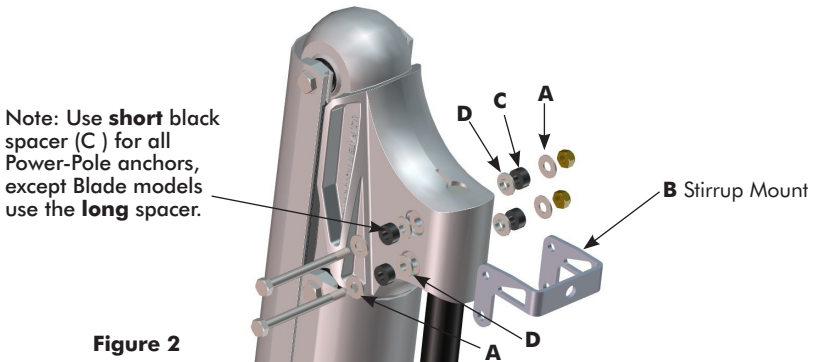
**Step 2 Attach the Downrigger Stirrup** mount to the knuckle using the supplied hardware. This hardware needs to go in the correct order to ensure the stirrup mount does not damage the knuckle or vice versa. (Figure 2)

**NOTE:** If attaching to a Power-Pole Blade use long plastic spacer (C) for all other Power-Pole models use the short spacer.

Proper hardware order:

- Flat Washer **A**
- Stirrup Mount **B**
- Plastic Spacer **C**
- White Bushing **D**

Slide the bolt through the knuckle then repeat for the other side. Tighten the bolts down until they are snug, there is no need to over-tighten bolts.



**Step3 Attach the Carabiner Clip** to the Stirrup Strap as illustrated in Figure 3.1

**Step 4 Finish** by sliding the Downrigger spike clamp up onto the Power-Pole spike and screw black wing screw tight. Figure 3.2

**NOTE:** Before tightening wing screw, make sure to keep Downrigger cables tight as shown in Figure 3.3

