

## Reversing Relay Module (Modification) 2010

The reversing relay module has recently been changed for the Power-Pole Pro Series 6' and 8'.

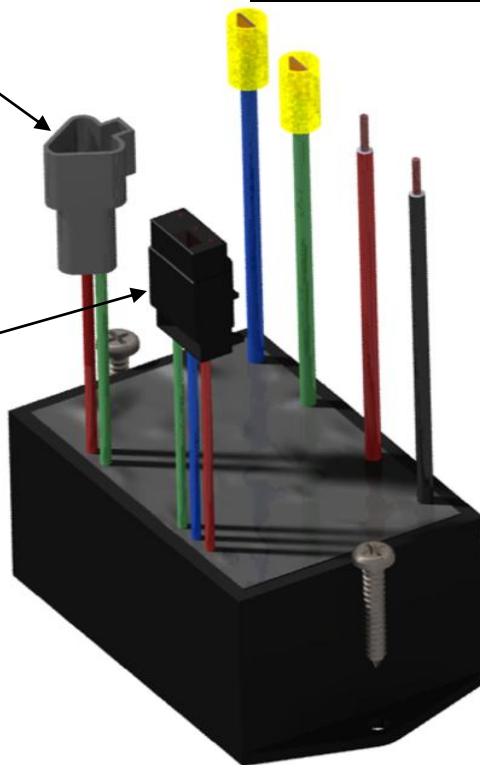
It no longer uses the two wire triangle plug for the optional remote control.

It now comes with a three wire flat rectangle plug to connect the optional remote control as seen below.

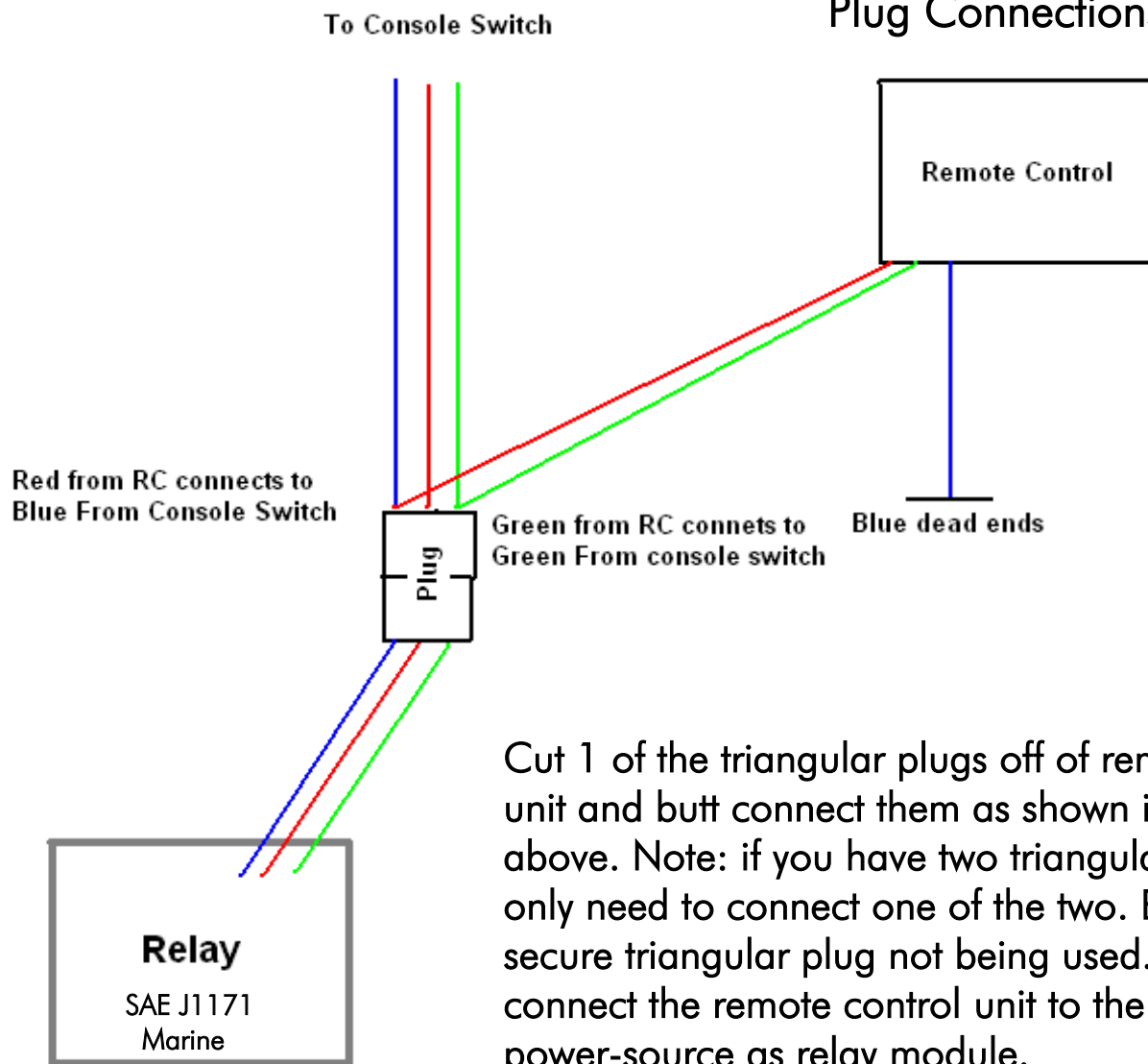
Two wire triangle plug for optional remote control has been discontinued.

Note: If your remote control has a triangle plug connection please see page 2 on back.

Three wire flat rectangle plug for console switch, optional remote control and optional foot switch connection.



## 2005 to 2007 Remote Control with Triangular Plug Connections



Cut 1 of the triangular plugs off of remote control unit and butt connect them as shown in diagram above. Note: if you have two triangular plugs you only need to connect one of the two. Be sure to secure triangular plug not being used. Next connect the remote control unit to the same power-source as relay module.

Note: Be sure to mount Remote Control box up on a wall with wires exiting bottom.

**Warning: Disconnect all Power before Installation.**

If you need assistance please call the technical support line at 813-689-9932 opt 2.