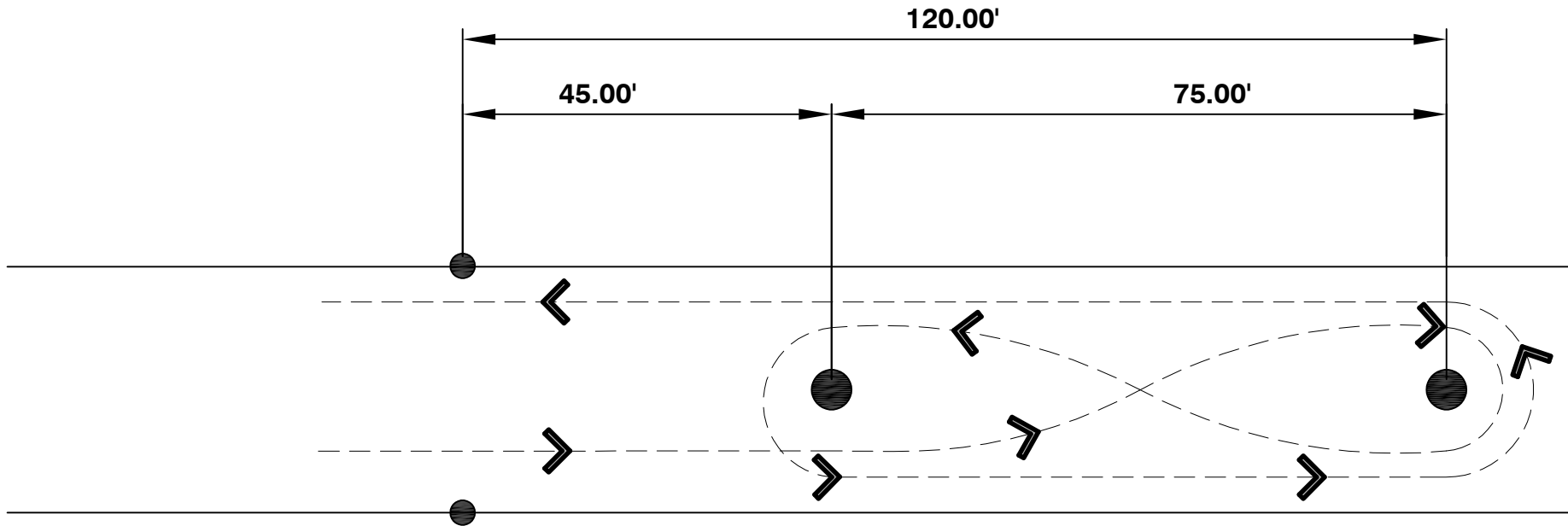


# LANE BARRELS



A barrel is centered on the turning line with a second barrel set 75 feet toward starting line and centered in the lane. Contestant races between barrels before making a right or left turn around barrel on the running line, then races to second barrel making an opposite turn and returns to the turning line barrel and makes a turn in the same direction as the second turn, then races back across finish line. Disqualifications for breaking the pattern and knocking over barrel.