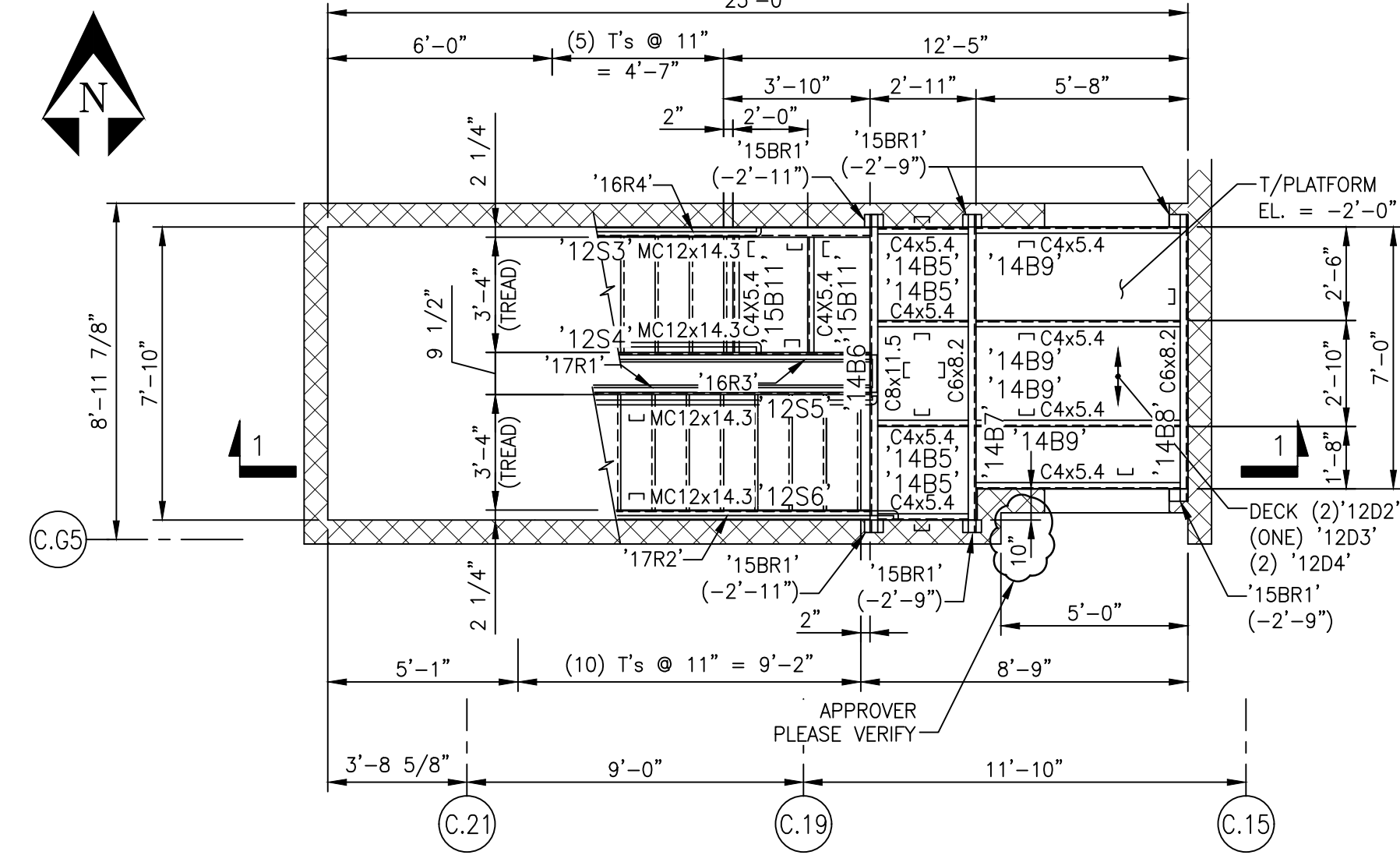
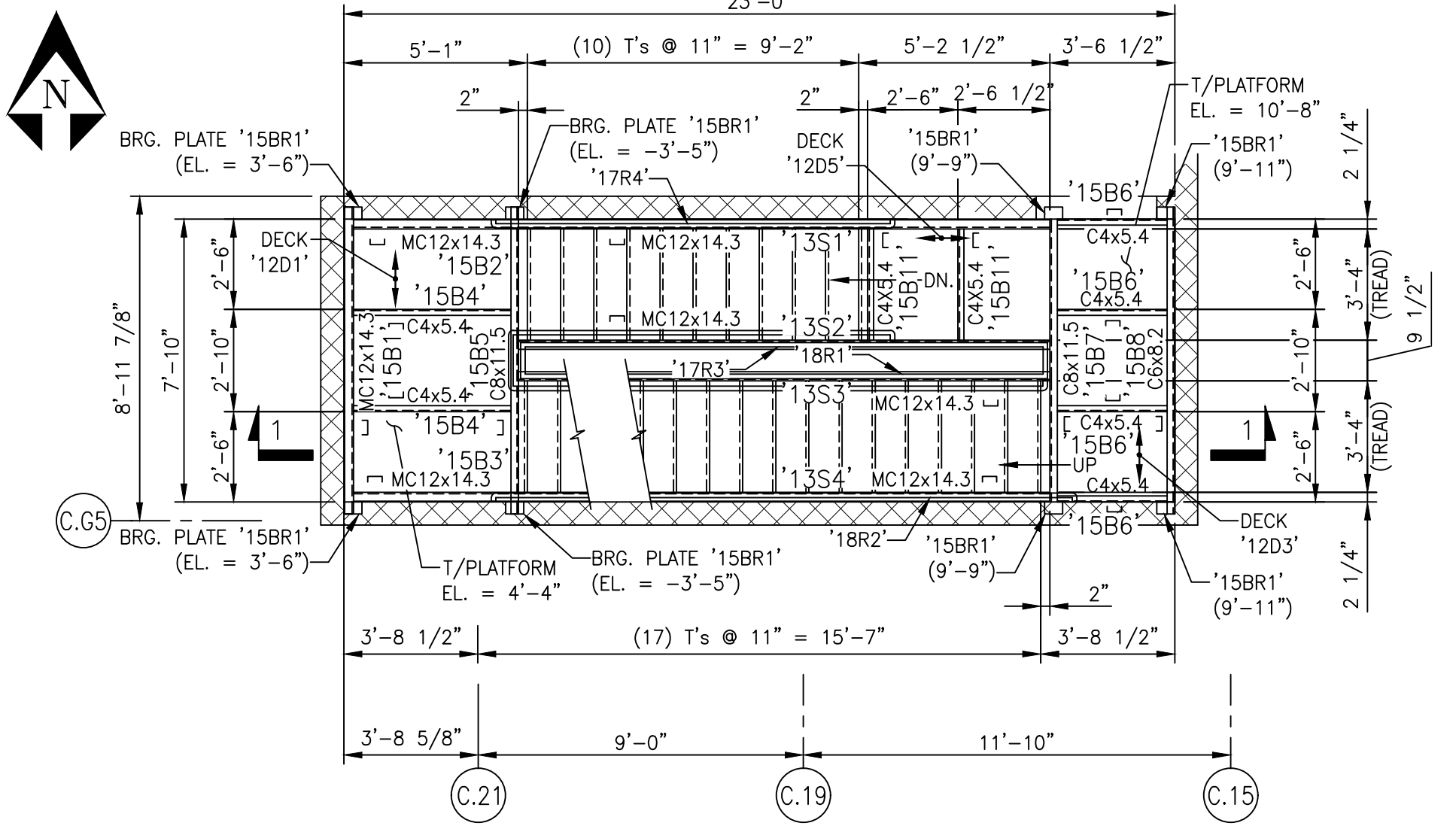


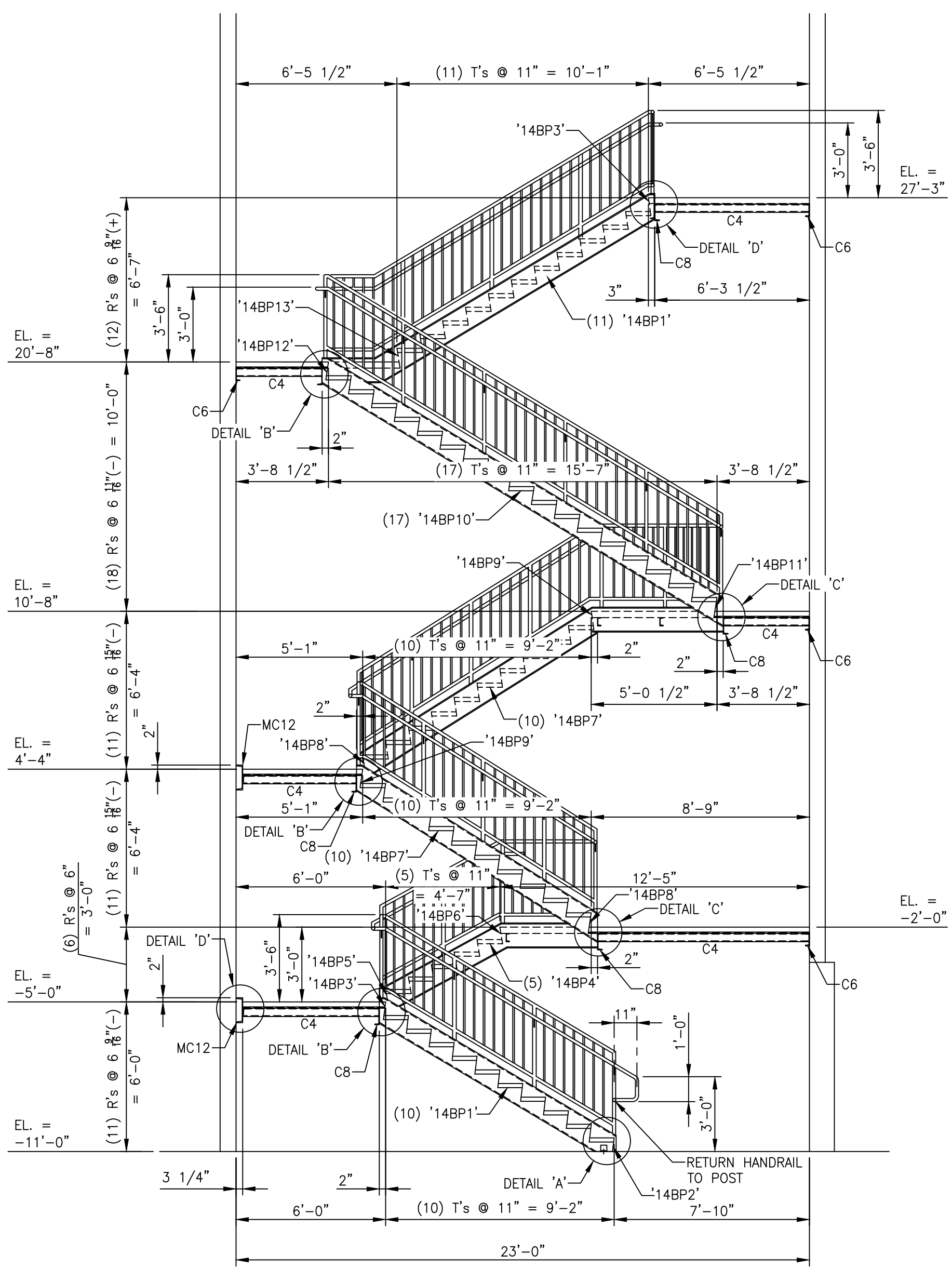
STAIR PLAN  
SCALE: 1/4"=1'-0"



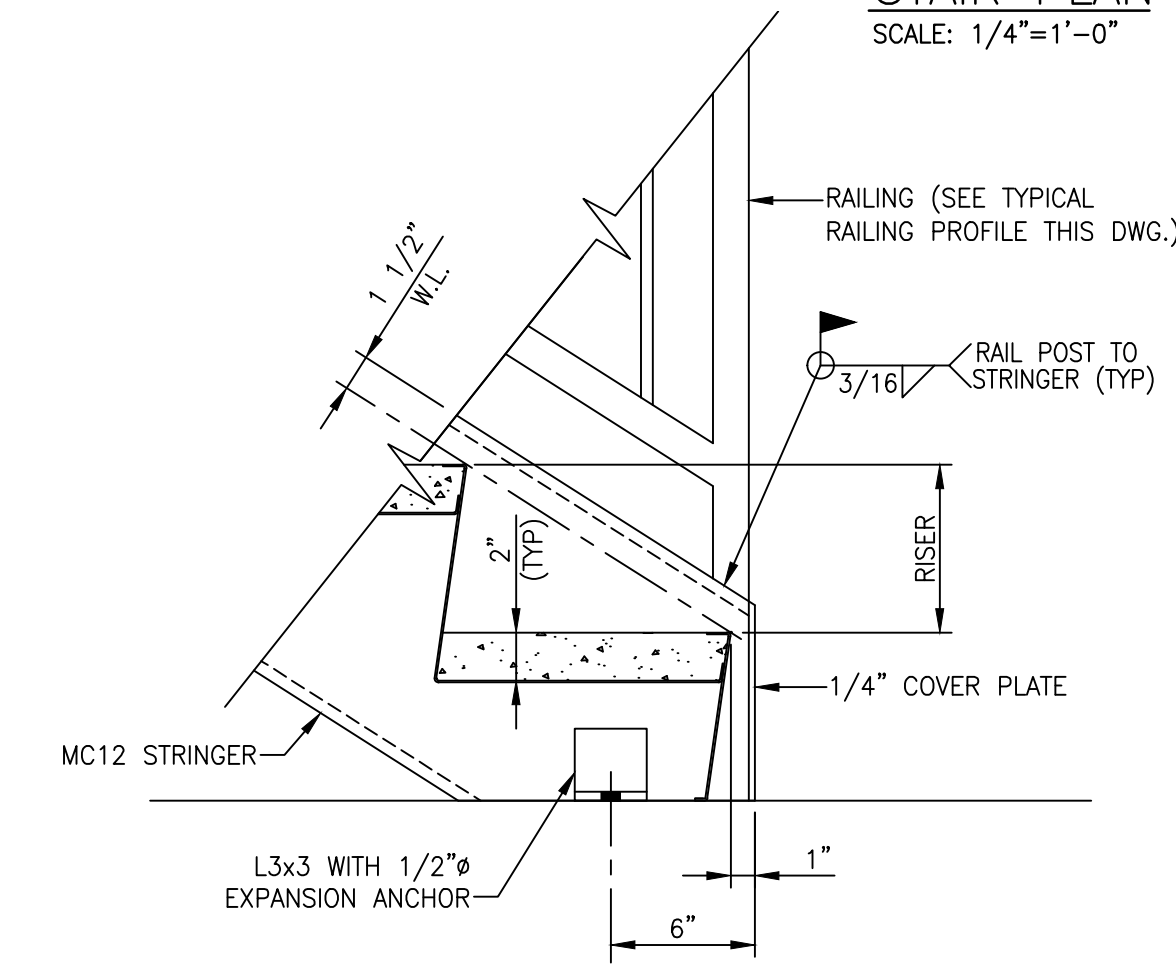
STAIR PLAN  
SCALE: 1/4"=1'-0"



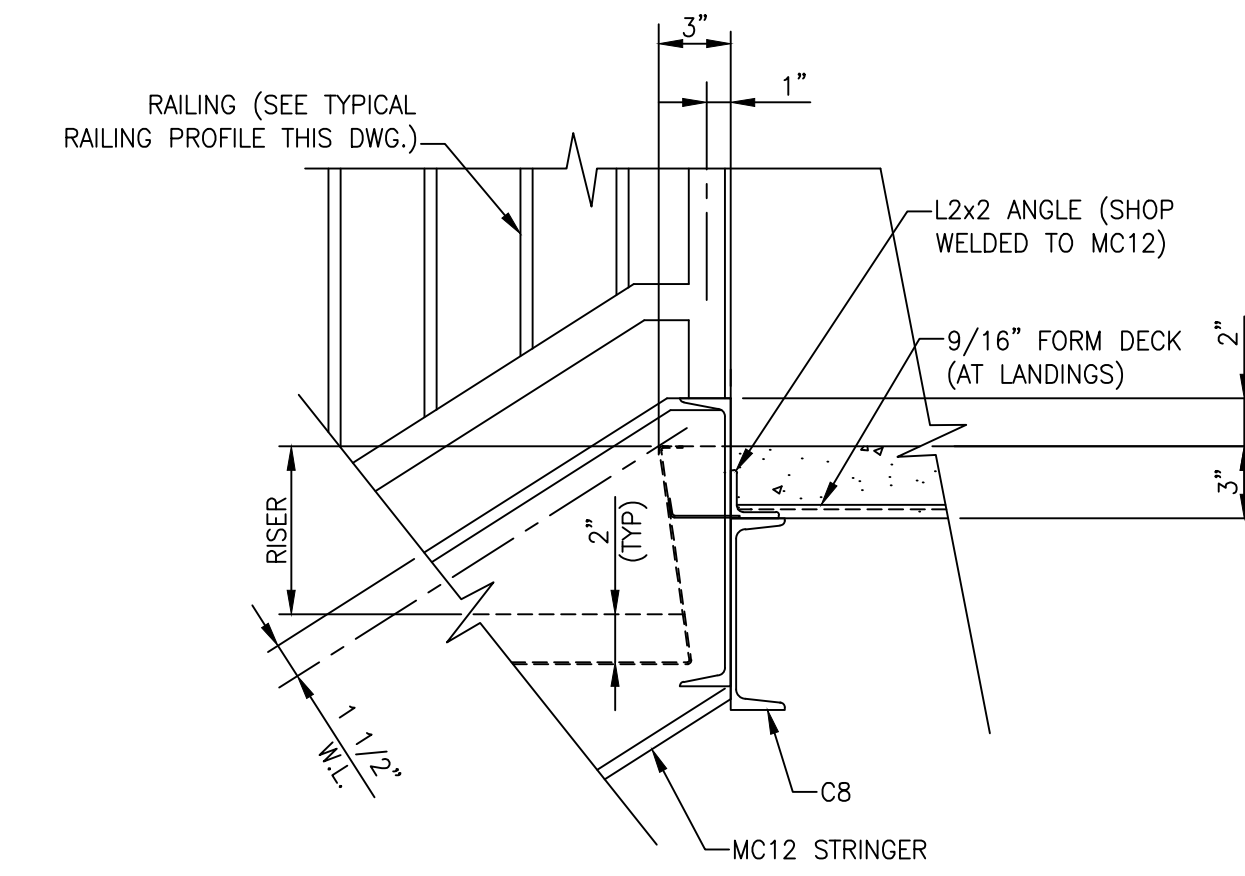
STAIR PLAN  
SCALE: 1/4"=1'-0"



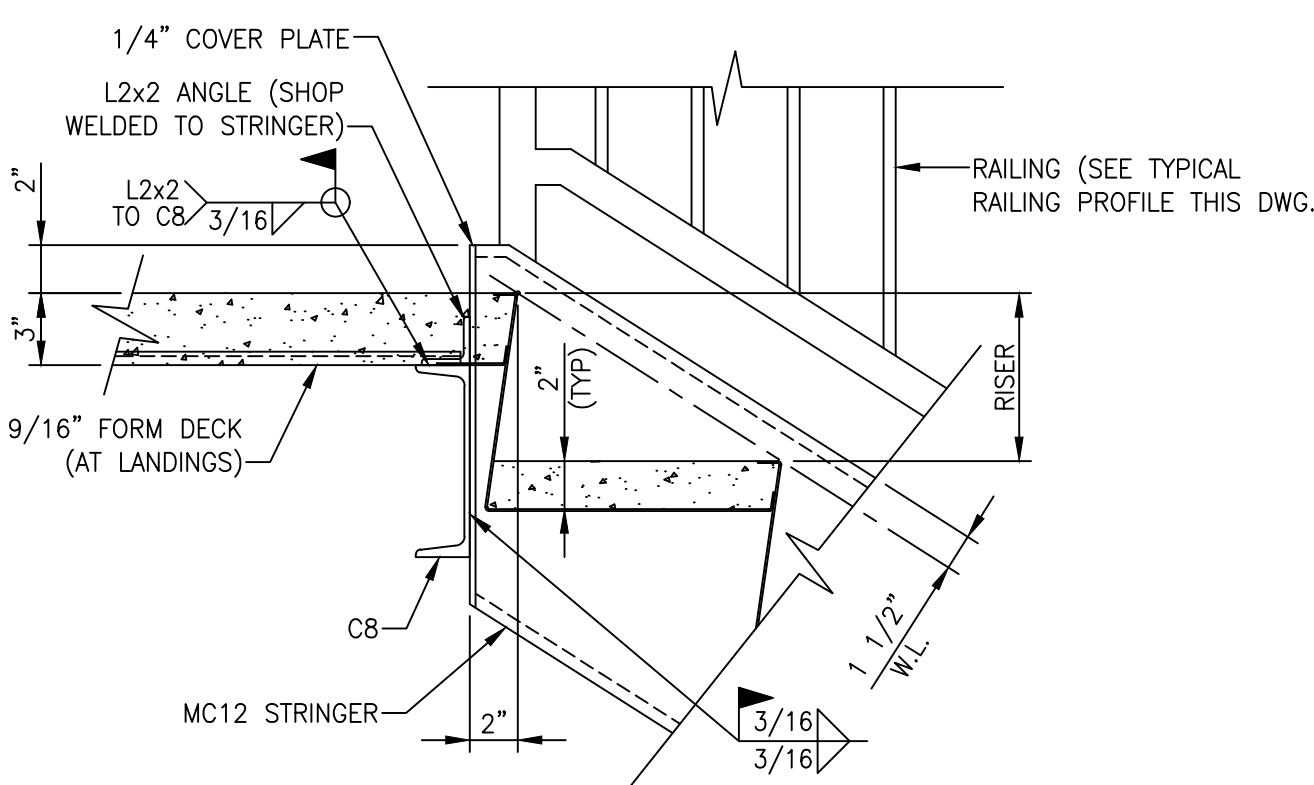
SECTION '1-1'  
SCALE: 1/4"=1'-0"



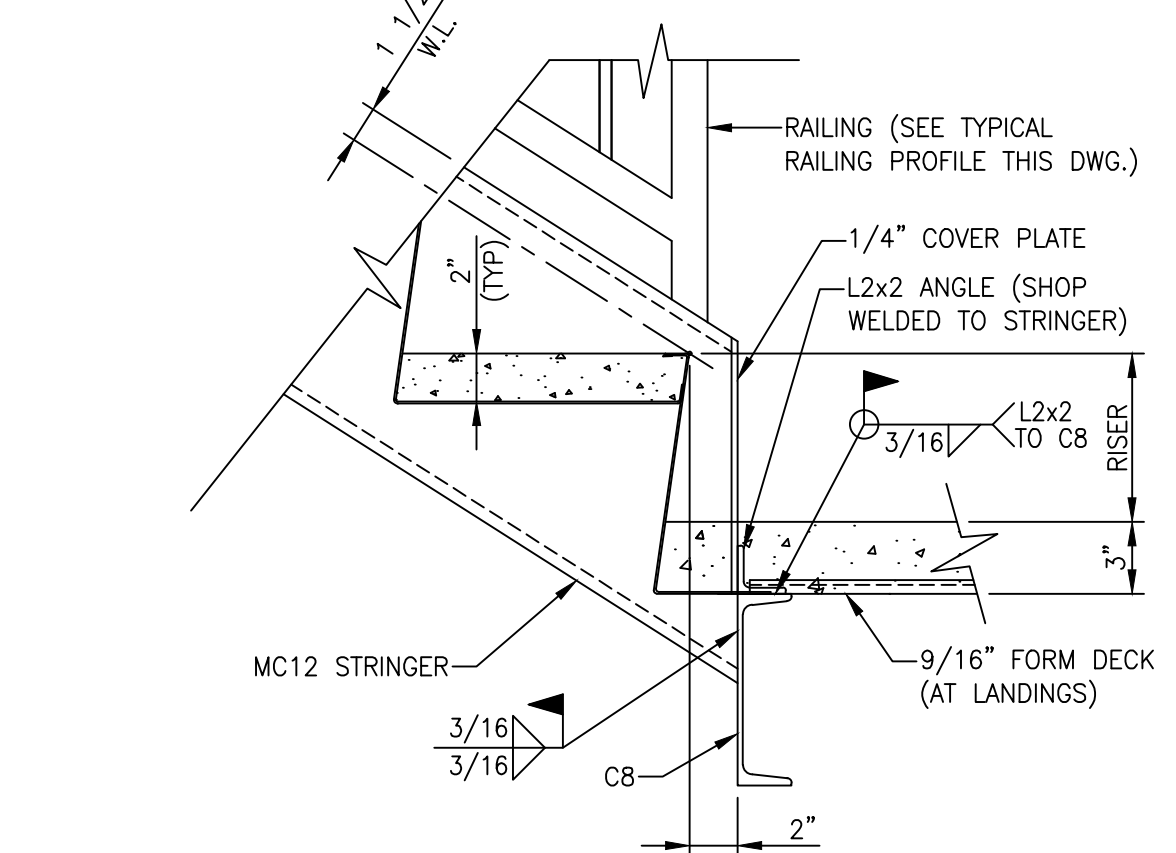
DETAIL 'A'  
SCALE: 1 1/2"=1'-0"



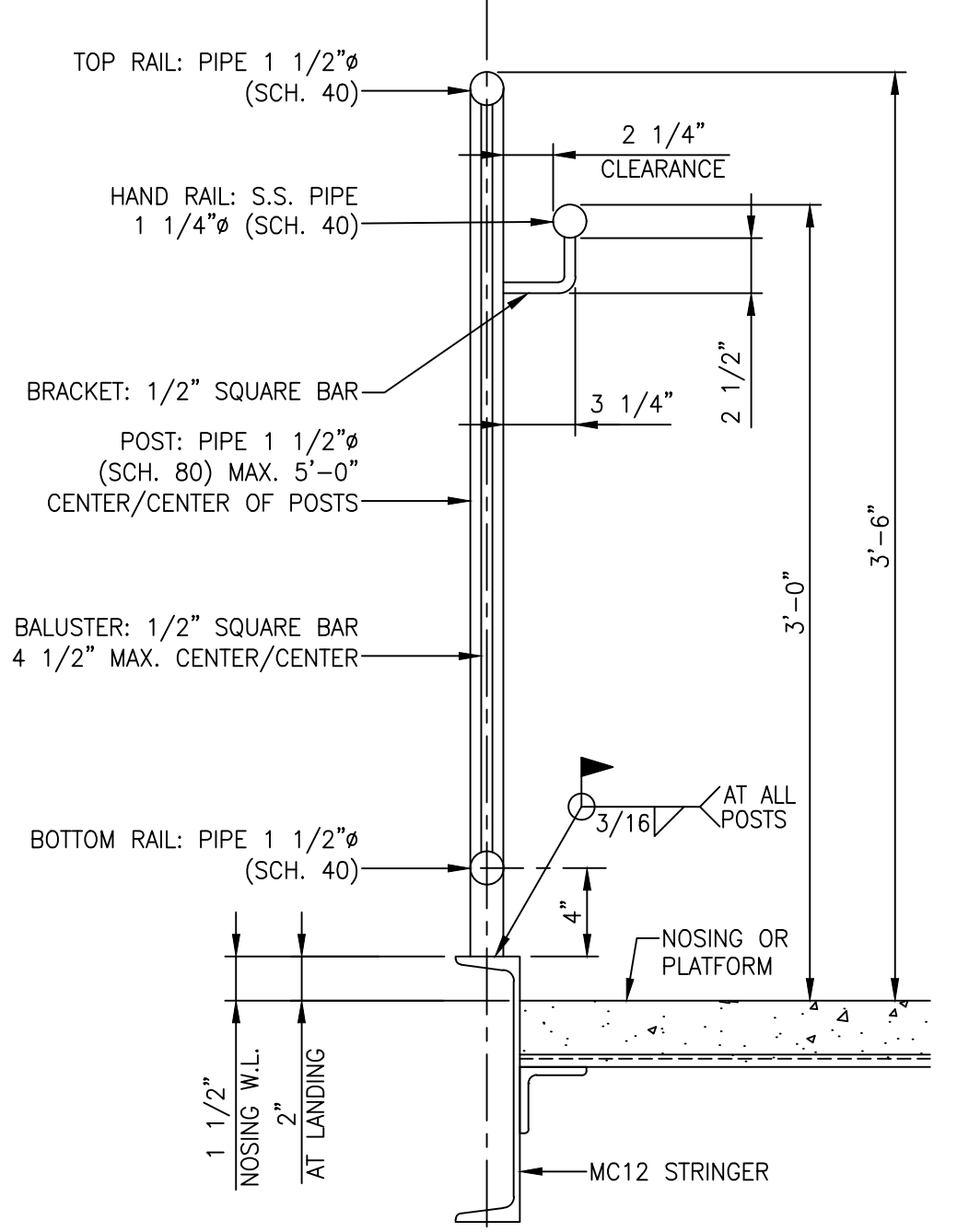
DETAIL 'D'  
SCALE: 1 1/2"=1'-0"



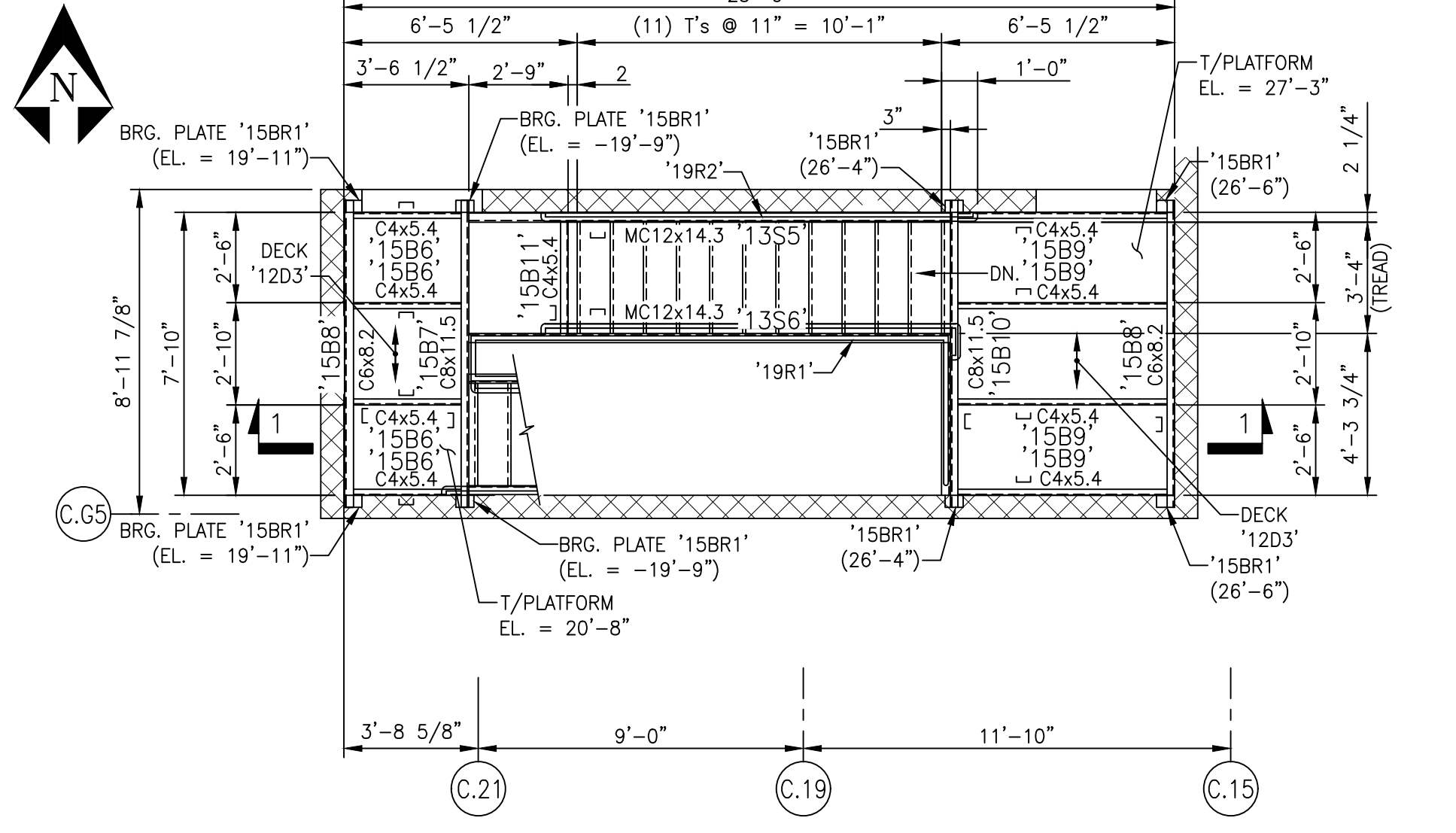
DETAIL 'B'  
SCALE: 1 1/2"=1'-0"



DETAIL 'C'  
SCALE: 1 1/2"=1'-0"



TYPICAL RAILING PROFILE  
SCALE: 1 1/2"=1'-0"



STAIR PLAN  
SCALE: 1/4"=1'-0"

CUSTOMER		LOCATION		JOB NO	
PROJECT					
DESCRIPTION					
SCALE	DRAWN BY	DATE	DWG NO		
REV	DATE	REVISION	CHECKED BY	DATE	