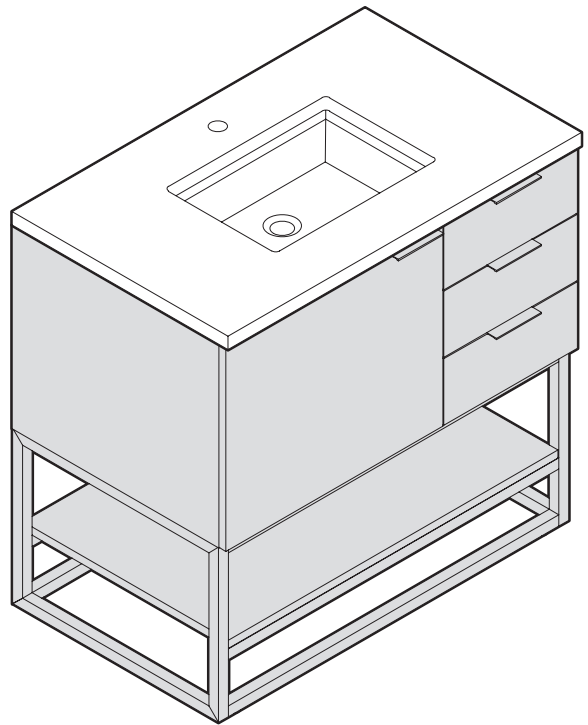
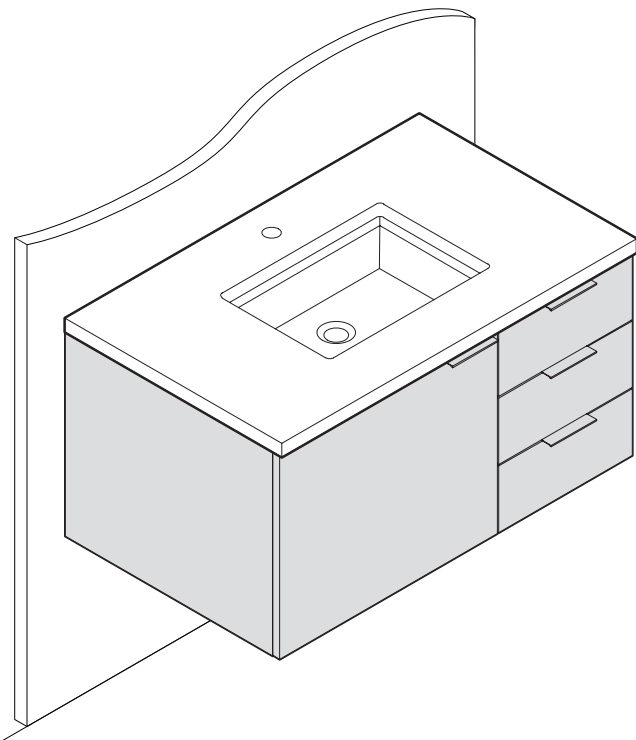


# USE AND CARE GUIDE

---

## BRENLYN VANITY



# Safety Information

Please read and understand all instructions before assembly and use.

## WARNING

- Unit must be placed on a level surface or leveled with included hardware (when applicable).
- Do not sit or stand on or allow children to climb, sit, or stand on the assembled product.
- For safety reasons, this unit must be mounted to the wall.
- Unit can tip over causing severe injury or death.
- Do not exceed the recommended weight limits.
- Before cutting, drilling, or hammering into any wall or floor surface, verify the location of electrical, plumbing, and gas lines. Cutting may cause serious injury.



**CAUTION:** For your safety and to achieve the best possible installation of this cabinet, Home Decorators Collection always recommends you consult with a professional contractor.



**IMPORTANT:** Two or more people are required for the assembly and installation of this vanity.



**IMPORTANT:** Please review all pages prior to attaching the vanity to the wall.

## CALIFORNIA RESIDENTS



**WARNING:** This product can expose you to styrene/wood dust which is known to the state of California to cause cancer. Go to [www.p65warnings.ca.gov/products](http://www.p65warnings.ca.gov/products).

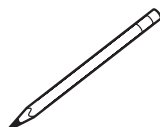
## Pre-Installation

Open contents and place on a smooth, soft surface.

### TOOLS REQUIRED



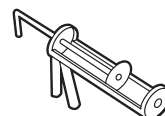
Safety goggles



Pencil



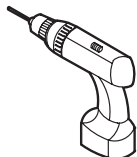
Level



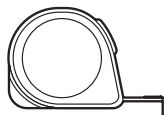
Caulk gun



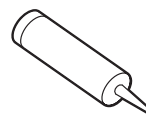
Claw hammer



Drill



Tape measure



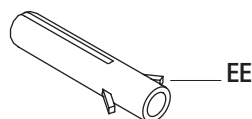
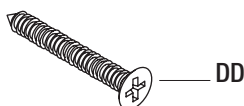
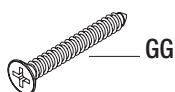
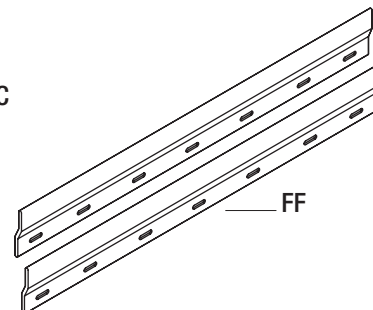
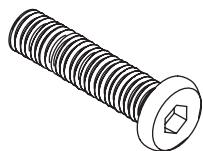
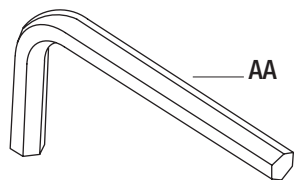
Silicone adhesive

# Pre-Installation (continued)

## HARDWARE INCLUDED



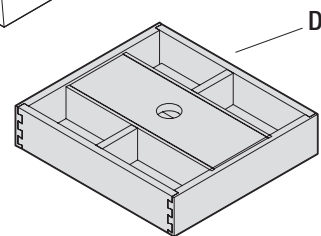
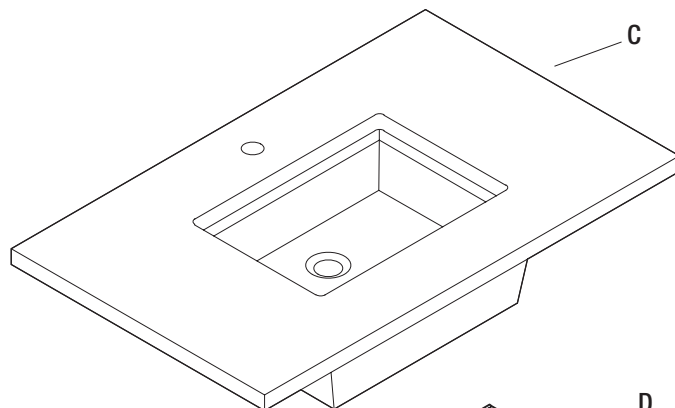
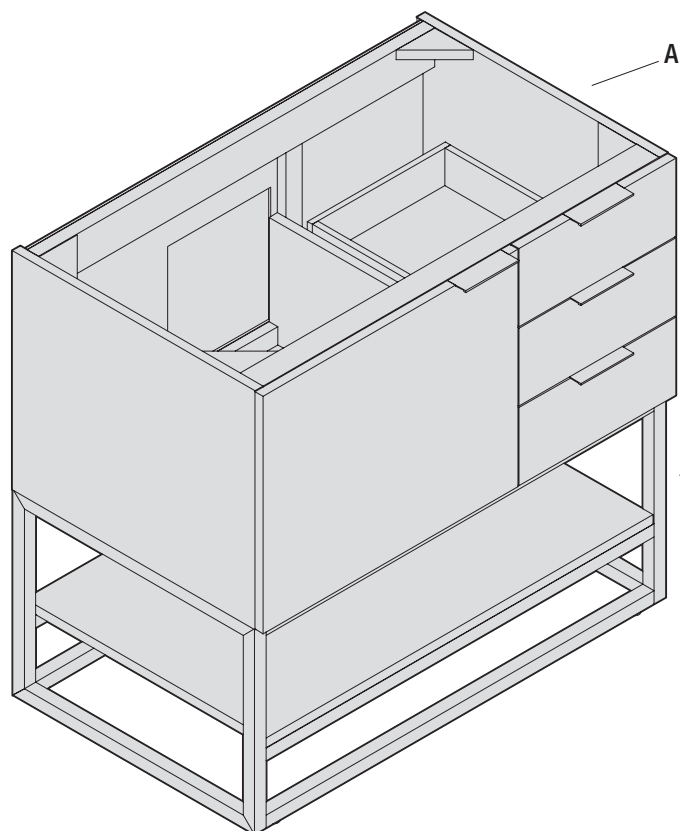
**NOTE:** Hardware not shown to actual size.



Part	Description	Quantity
AA	Hex wrench	1
BB	1/4 x 1-1/4 in. bolts	6
CC	Electrical cord clamp	4
DD	Screws	7

Part	Description	Quantity
EE	Drywall anchor	7
FF	1 set of 2 French cleats (Attached to back of cabinet. Do not remove until instructed.)	1
GG	Clamp screws	4

## PACKAGE CONTENTS

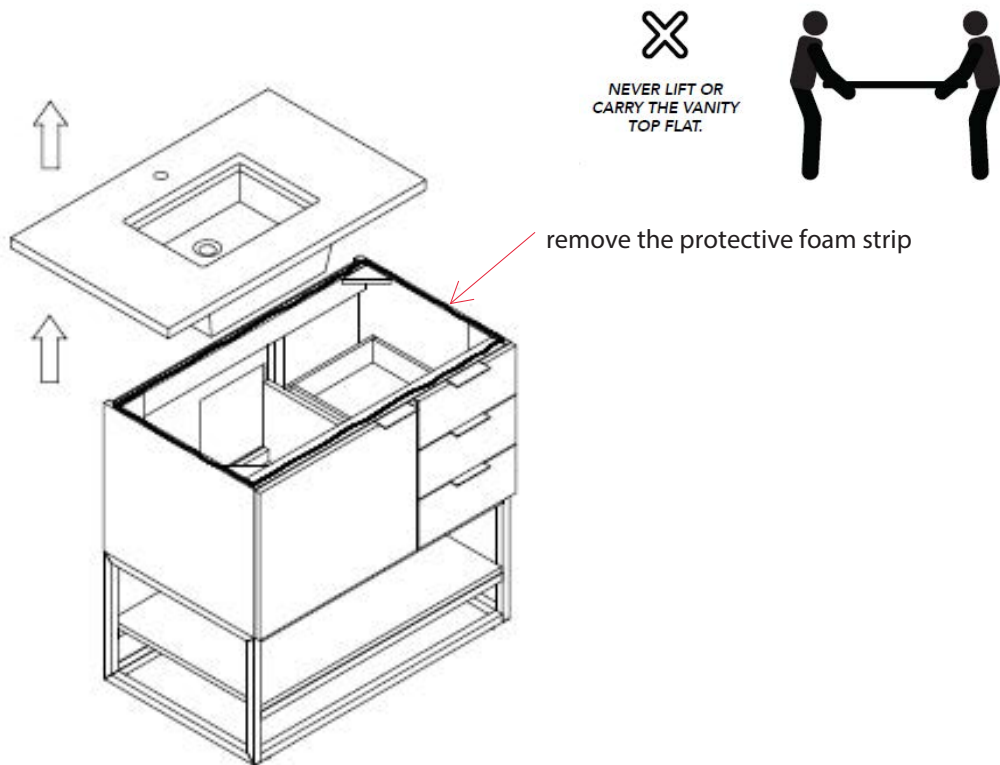


Part	Description	Quantity
A	Vanity cabinet	1
B	Removable metal base	1
C	Quartz top with sink	1
D	Removable organizer	1

# Pre-Installation (continued)

REMOVING THE TOP AND SINK(S) -requires at least two people

1. Carefully begin to lift the top with sink(s)
2. The top must be lifted and set down gently, at an angle and never carried flat
3. Gently set the top, sink side down on a soft surface
4. Remove the black foam strip from the top of the cabinet frame
5. Gently remove any residue

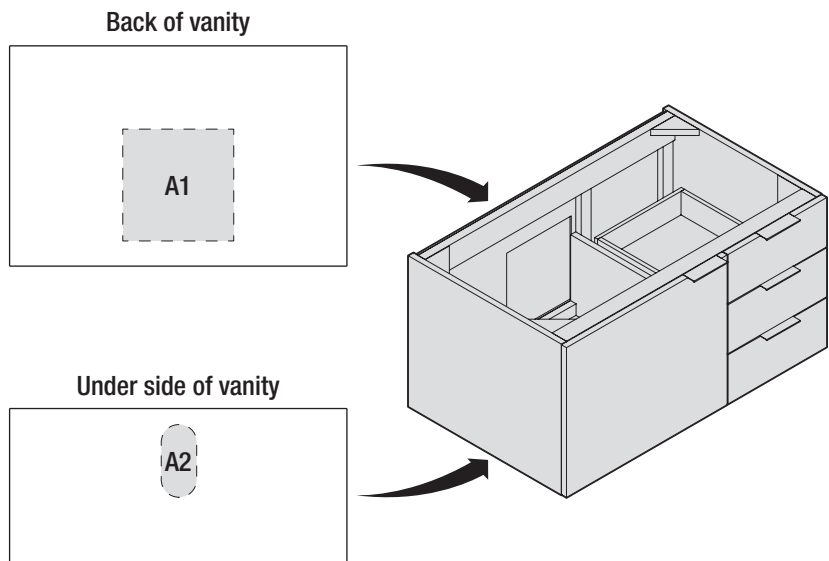


# Planning Installation

## DETERMINING WALL PLACEMENT

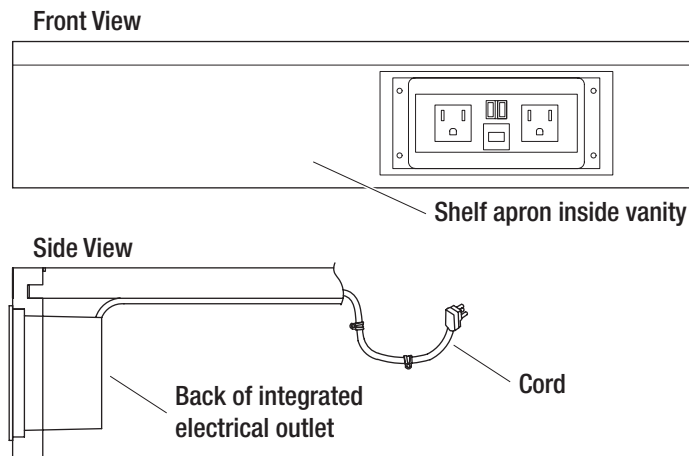
- Determine the position of the vanity cabinet prior to installation. Verify location of plumbing relative to existing allowances in the vanity cabinet.
  - A1 — Allowance for drain and water supply
  - A2 — Allowance for P-trap
- Available plumbing cutouts can be found on the back and under side of the vanity cabinet.

**CAUTION:** For your safety and to achieve the best possible installation of this cabinet, Home Decorators Collection always recommends you consult with a professional contractor.



# Planning Installation (continued)

## INTEGRATED ELECTRICAL OUTLET



## ELECTRICAL OUTLET SPECIFICATIONS



Intertek  
5011080

**Specifications:** 125 V, 15 A, 60 Hz

**Required Electrical Service:** One dedicated circuit required, protected with a Class A ground-fault circuit interrupter (GFCI) or residual current device (RCD).



**NOTE:** This equipment has been tested and found to comply with the limit for a Class B digital device, pursuant to part 15 of the FCC Rules. These limits are designed to provide reasonable protection against harmful interference in a residential installation. This equipment generates, uses, and can radiate radio frequency energy and if not installed and used in accordance with the instructions, may cause harmful interference to radio communication. However, there is no guarantee that interference will not occur in a particular installation. If this equipment does cause harmful interference to radio or television reception, which can be determined by turning the equipment off and on, the user is encouraged to try to correct the interference by one or more of the following:

- Reorient or relocate the receiving antenna
- Increase the separation between the equipment and receiver.
- Connect the equipment into an outlet on a circuit different from that to which the receiver is connected.
- Consult the dealer or experienced radio/TV technician for help.

This device complies with Part 15 of the FCC Rules. Operation is subject to the following two conditions:

- 1) This device may not cause harmful interference.
- 2) This device must accept any interference received, including interference that may cause undesired operation.

Modifications not approved by the party responsible for compliance could void the user's authority to operate the equipment.

## WALL OUTLET

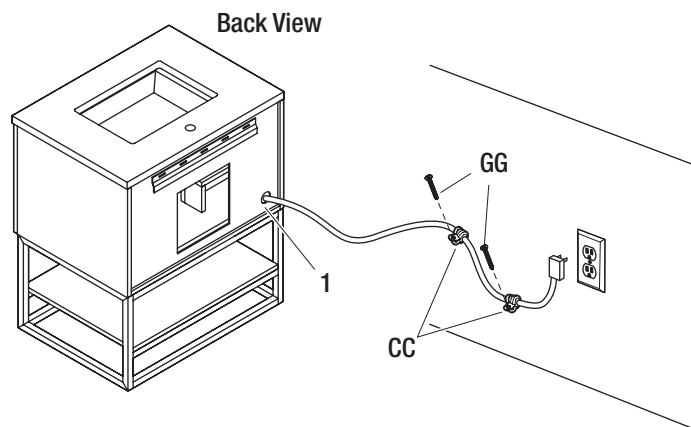


**NOTE:** Prior to installing the vanity, ensure location of wall outlet is in line with the plug from the integrated electrical box once fed through the back panel in the provided opening (1).



**CAUTION:** For your safety and to achieve the best possible installation of this cabinet, we recommend you consult with a professional contractor for electrical outlet placements and specifications.

- Use a pencil to mark the desired location for the two
- Place cord clamps (CC) around cord.
- Attach the cord clamps (CC) to the wall using screws (GG)

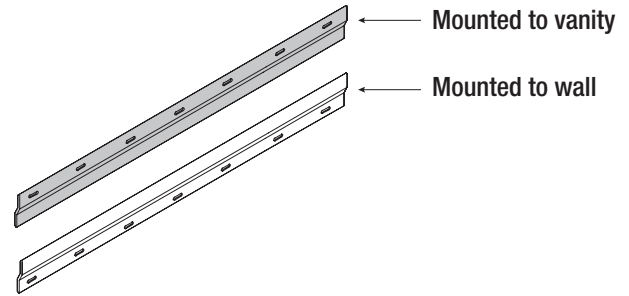


**NOTE:** Cord length for the integrated electrical device is 6 ft. 6 in. (201 cm)

# Preparing for Installation

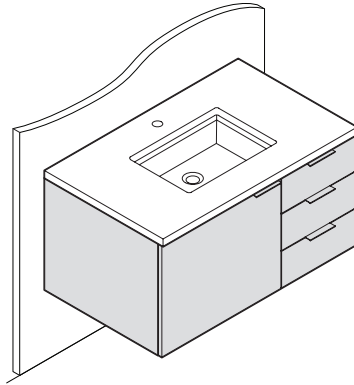
## 1 Locating French cleats

- Locate the pair of French cleats (FF) on the back of the vanity cabinet (A) and remove the cleat with the mounting holes on the bottom. The remaining cleat should have the mounting holes at the top.

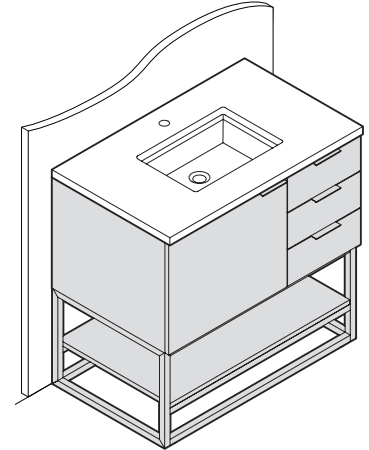


## 2 Determine mounting type

- For Wall Mount, move to step 3.

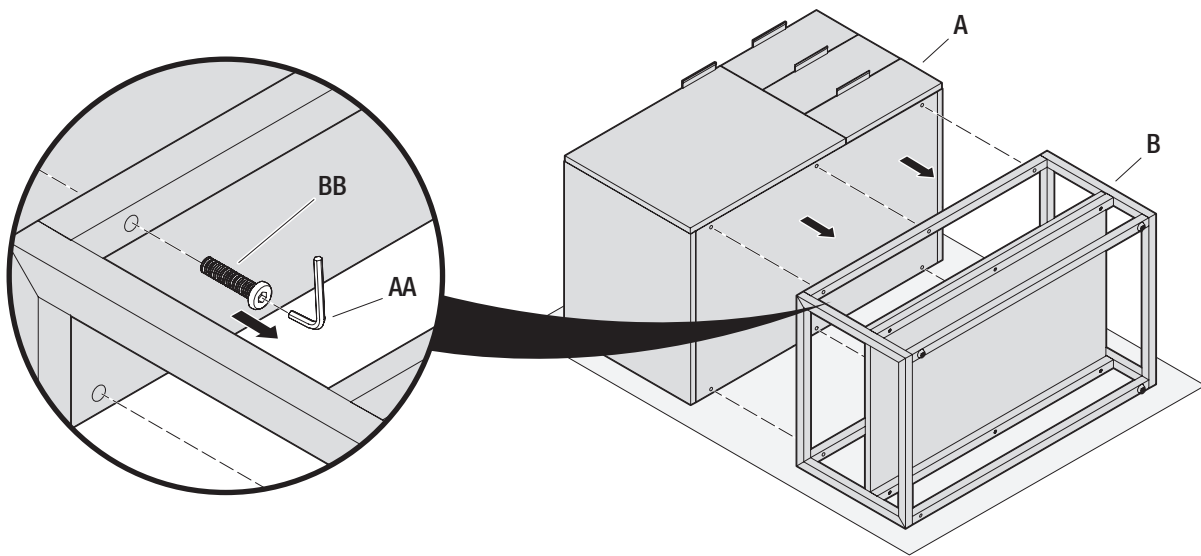


- For Floor Standing, move to step 4.



## 3 Preparing the vanity for wall mounting

- Place blanket or other soft material on the floor and place the vanity on the soft surface.
- Remove the metal base (B) from the vanity cabinet (A) by removing the 1/4 x 1-1/4 in. bolts (BB) using the hex wrench (AA).



# Preparing for Installation (continued)

## 4 Preparing for French cleat installation

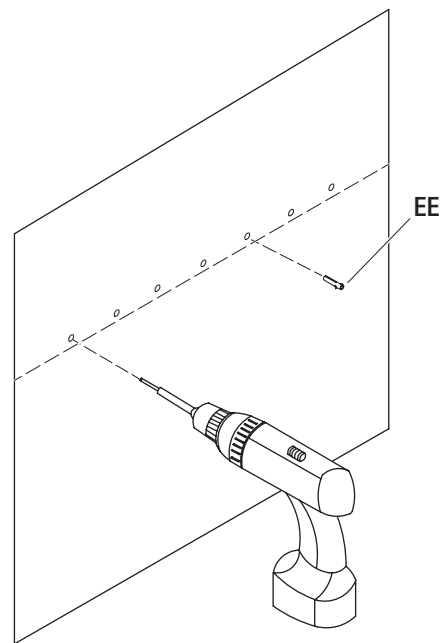
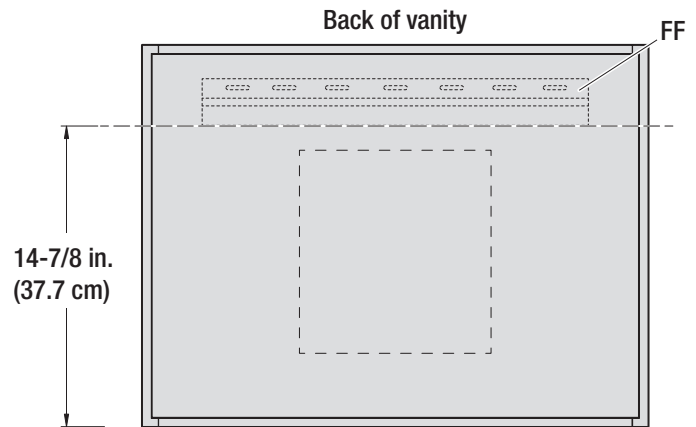
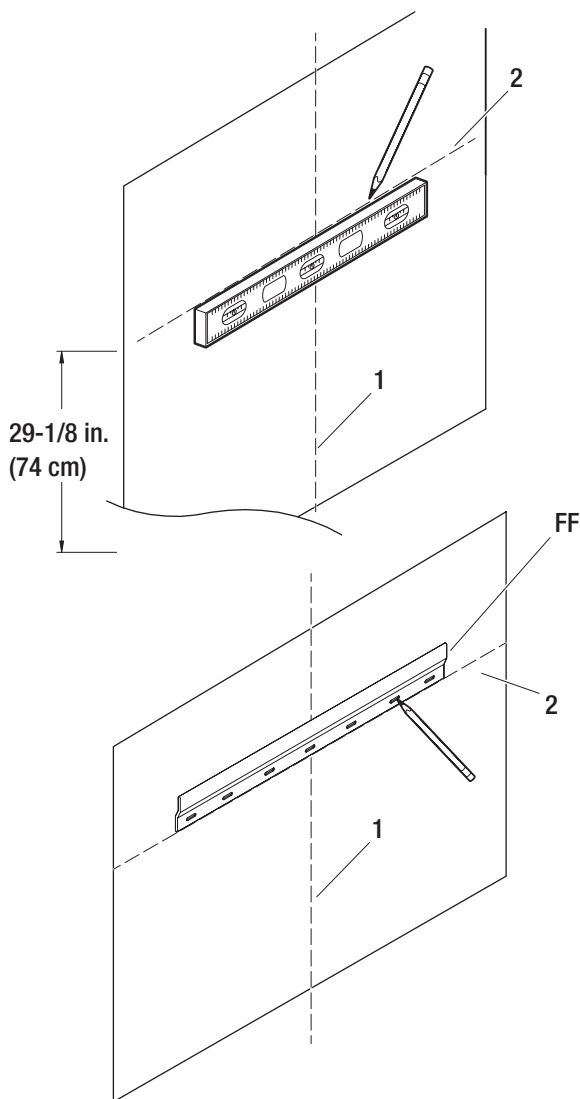


**WARNING:** Before cutting, drilling, or hammering into any wall surface, verify the location of electrical, plumbing, and gas lines. Cutting any of these may cause serious injury.



**NOTE:** If you are unable to use wall studs, use drywall anchors (EE). Use a 3/16 in. drill bit to drill pilot holes into the marked locations. Screw anchors into the holes, turning clockwise until flush with the wall.

- Carefully place the vanity cabinet (A) against the wall in the desired location and mark a center line (1) on the wall with a pencil.
- Remove the vanity cabinet (A) from the wall until ready for installation.
- Draw a horizontal line 29-1/8 in. from the floor, across the center line (2).
- Moving left and right of the center line (1), along the horizontal line (2) locate the wall studs.
- Place the French cleat (FF) along the horizontal line (2), as shown, and mark the holes on the wall with a pencil.
- Drill holes in each marked location with a depth no less than 1/2 in.



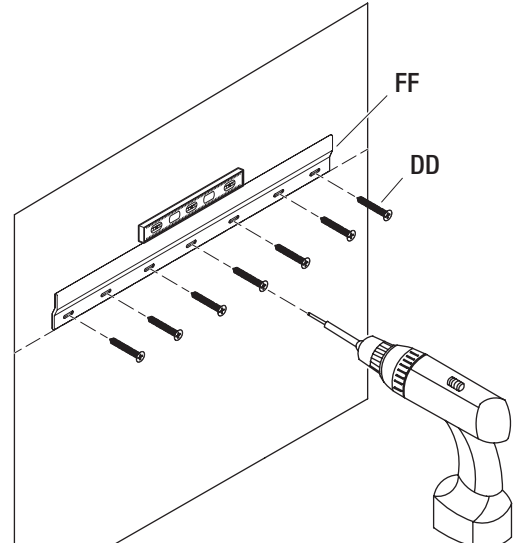
# Attaching the Vanity to the Wall

## 1 Attaching the French cleat to the wall



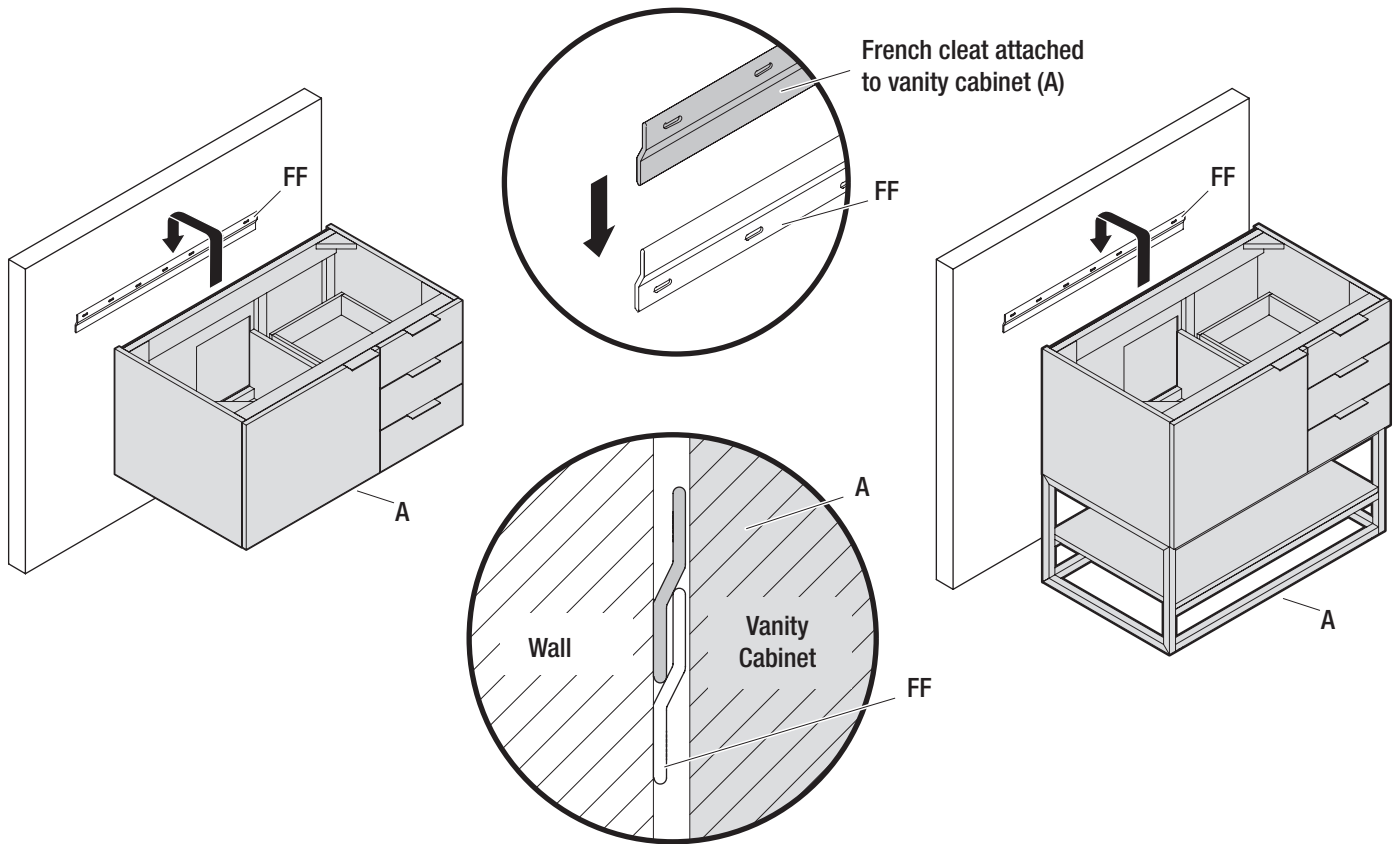
**WARNING:** Before cutting, drilling, or hammering into any wall surface, verify the location of electrical, plumbing, and gas lines. Cutting any of these may cause serious injury.

- Attach the French cleat (FF) to the wall using the screws (DD).



## 2 Securing the vanity to the wall with the French cleat

- Using two people, lift the vanity cabinet (A) so the French cleat (FF) on the back of the vanity slides over and rests on the French cleat (FF) on the wall.





## Installing the Top with Sink

- Align and secure the quartz top (C) to the vanity cabinet (A) using a high-quality adhesive and caulk gun.
- Allow adhesive to dry in accordance with manufacturer's instruction before installing plumbing and using the vanity.

