

Water Slide Operating Manual

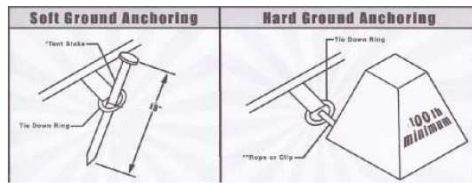
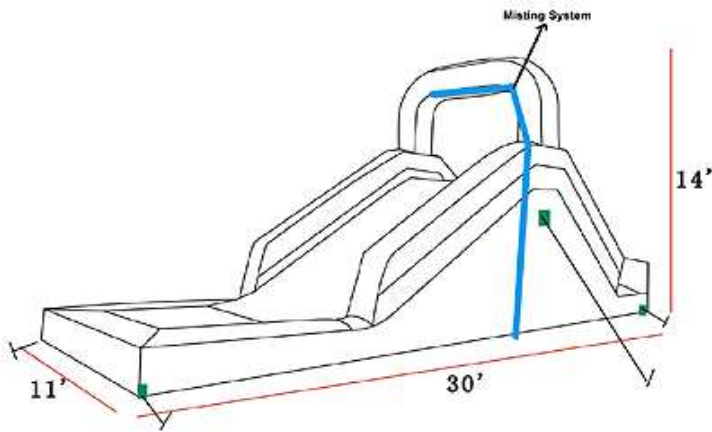
Description:

This unit is slide with the pool at the bottom part. In each session 2 riders can play at the same time.

The rides climb up the stairs from the back side of the unit and slide down to the water basin at the bottom of the slide. 2nd rider waits for the 1st rider to climb and slide down before starting the climb.

Setup Instructions:

1. When selecting a site, make sure it is level and large enough for the device and tethers.
2. The ideal site is a firm grassed area.
3. If possible, try to face the Water Slide away from direct sun so that the sliding surface does not get too hot.
4. Place a ground tarp on the selected site
5. Align the Water Slide and unroll it on the tarp.
6. Attach upper tie ropes.
7. Do not stake down the unit until it is inflated.
8. Attach the blowers to the ducts and secure with Velcro strip.
9. Minimum clearances around Water Slide are 6' preside and 10' in front. Overhead clearances to any moving object (tree branches for example) shall be 4'.
10. Clearance to power lines shall be at least 20' form the top point of the game in any direction.
11. Inflate the unit making sure the blower is on high setting and that all deflation vents are closed.
12. Connect 1.5 HP blower (1080 CFM) to power source, check that the Water Slide has been properly unfolded and switch on the blowers. The blowers should be directly connected to the power supply.
13. If an extension cord is to be used, it must be 14Ga minimum and should not exceed 50ft length.
14. Most household extension cords are 16Ga and should not be used. Longer cords will reduce the power of the blower and will not maintain full inflation of the unit.
15. Lightly stake the lower attachment points using steel stakes, min 5/8" dia x 12" long.
16. Minimum of 6 anchors (4 lower & 2 upper tethers). Each side of the game shall be secured by means of 3, 12:" steal anchor stakes driven into firm ground (grassed area is preferred). If ground stakes cannot be used, then attach minimum 100lb weights to each anchor point
17. Adjust the Water Slide by grabbing hold of the walls and stabilize as necessary.
18. Check blowers are sitting firmly and that the air ducts are not kinked.
19. Adjust base supports if necessary and drive into ground fully
20. Drive in the upper restraint anchors, attach the upper ties and tension evenly.
21. Look at Water Slide from a slight distance to ensure it is sitting square and that the tethers are equally tensioned.
22. Climb the Water Slide and check that the sliding mat is properly attached and generally inspect the Water Slide to make sure it is serviceable. Check condition of the sliding surface and apply Armor-All if necessary.
23. Erect signs and establish a no-walk zone around the blowers and upper tethers.



Rider numbers and sizes:

We recommend a maximum rider height of 6', and a maximum rider weight of 150lb. We also recommend that children younger than 5 years or less than 42" tall not use the Water Slide. When leading riders onto the Water Slide, make sure that you group riders by size so that smaller riders are not intimidated by larger ones.

The maximum number of people of each group that play at the time: 2 persons with max weight of 600lbs total:

Operation

1. Two (2) operators are needed to operate this device. Adult operators shall be on duty at all times the unit is being used at to assist riders the entrance and at the exit points.
2. Group children by size and age, do not allow a small child on at the same time as larger and more boisterous children
3. 2nd rider waits for the 1st rider to climb and slide down before starting the climb.
4. 2nd rider allowed to slide only after 1st rider exits the pool area.
5. Patrons are shall only ride feet first. They shall be instructed to sit down first before moving down the Water Slide.
6. Riding head-first is dangerous and can lead to neck injuries. On no account allow any rider to jump or dive onto the Water Slide
7. Wearing of shoes is not allowed. Remove any hard or sharp objects, e.g. Pens, buckles, glasses, jewelry, baseball caps etc.
8. Do not allow somersaults or backflips, No climbing of walls or netting
9. Do not allow children to deliberately collide with each other.
10. Waiting children should stand at least 3ft (1m) from the front of the unit
11. Do not allow a new batch of patrons onto the unit until the previous group has exited.
12. Maximum wind speed for safe operation is 20 km/hr (15 mph). If wind speed gets higher assist the riders to exit the ride. Immediately stop the operation and deflate the unit. If the power fails, assist the children off the unit immediately and do not allow them to re-enter until power is restored and the unit fully inflated.

Important Note: If the fan is restarted following power failure, or accidental switching off, be sure to verify that the fan is running correctly. If the flapper valve does not close properly, or is missing, the deflation of the unit may cause the fan to spin in the opposite direction when restarted. If this happens, the blower will not inflate the unit properly.

Emergency Evacuation:

In the event of power failure of the fan, the bouncer will remain substantially erect for at least one minute. This will allow plenty of time to evacuate the riders. The operator shall guide riders off the bouncer and not allow anyone back on until it is fully inflated again.

1. Stop riders from entering the device, including parents.
1. Riders in the bouncer shall be told to leave through the entrance in an orderly manner, there is no need to rush, there is plenty of time and rushing may intimidate smaller and more timid riders.
2. Riders on the lower sections of the climb shall be advised to climb back down and exit through the bouncer. Riders on the upper part of the climb and the Water Slide itself shall be instructed to proceed to the Water Slide and exit in the normal way. Again, there is plenty of time and riders should not be rushed, especially on the Water Slide. Apply the normal Water Slide rules of one person on the ride at a time.

Scheduled Inspection and Maintenance Log

The following checklist is to be performed before each set up and operation of each inflatable ride and game manufactured by Jingo Jump, Inc., and as noted in the ASTM F-24 Standards on Amusement Rides and Devices. Failure to read, understand, and follow these rules could result in injury.

Jingo Jump Game :								
Serial Number:								
Name of person performing inspection:								
	Date	MON	TUE	WED	THUR	FRI	SAT	SUN
1. Inflatable Exterior								
• Vinyl Patterns clean and free of stains								
• Outside seams are strong and in good condition								
• Mesh is strong, stable and intact								
• *Proper stakes are being used for the intended soil composition								
• *Proper sand bags and weight are being used								
• Tie down straps are strong with no breakage								
• Entrance/Exits are clear of obstructions								
• Entrance Ramp is secure and attached								
• Warning signs and rules are clear and visible								
2. Inflatable Interior								
• Vinyl Patterns clean and free of stains								
• Inside seams are strong and in good condition								
• Mesh is strong, stable and intact								
• Entrance safety net is secure and intact								
• *Internal air pressure is sufficient to give a firm footing								
• No debris or sharp objects are present								
• Passageways are clear of obstructions								
• Ropes and footholds are strong and intact								
• Warning signs are clear and visible								
• Water Slide overhang cover is attached with no rips or tears								

Jingo Jump Game :								
Serial Number:								
Name of person performing inspection:								
	Date	MON	TUE	WED	THUR	FRI	SAT	SUN
3. Blowers								
• *Proper blower is being used for this unit								
• *Intended electrical outlet is a (GFCI) 110v outlet								
• Motor is free of dust and is working								
• Air intake and output are clean and free of debris								
• Blower is free of rust								
• Inflatable air tube and blower hose are securely attached								
• Electrical cords are not more than 25' from the GFCI outlet								
• Electrical cords are encased and free from wear								
• Electrical cords are secure and do not pose a trip hazard								
• No utility lines within 20 feet								
• Plugs sockets, and switches are not damaged								
4. Accessories (if applicable)								
• Wind Anemometer is working								
• Misters are firmly attached and free of debris and odor								
• Water source is clean and free of debris								
• Surrounding water run off area will drain and not pool								
• Boxing gloves are clean inside and out								
• Jousting poles are clean, strong, and secure								
• If using a generator, use all manufacturer's guidelines for operation								

Jingo Jump Game :								
Serial Number:								
Name of person performing inspection:								
	Date	MON	TUE	WED	THUR	FRI	SAT	SUN
List all maintenance and repairs below								
1. Inflatable Exterior								
•								
•								
•								

•							
•							
•							
•							
2. Inflatable Interior							
•							
•							
•							
•							
•							
•							
•							