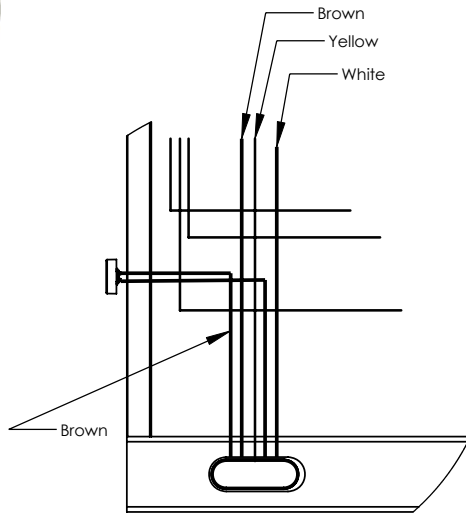
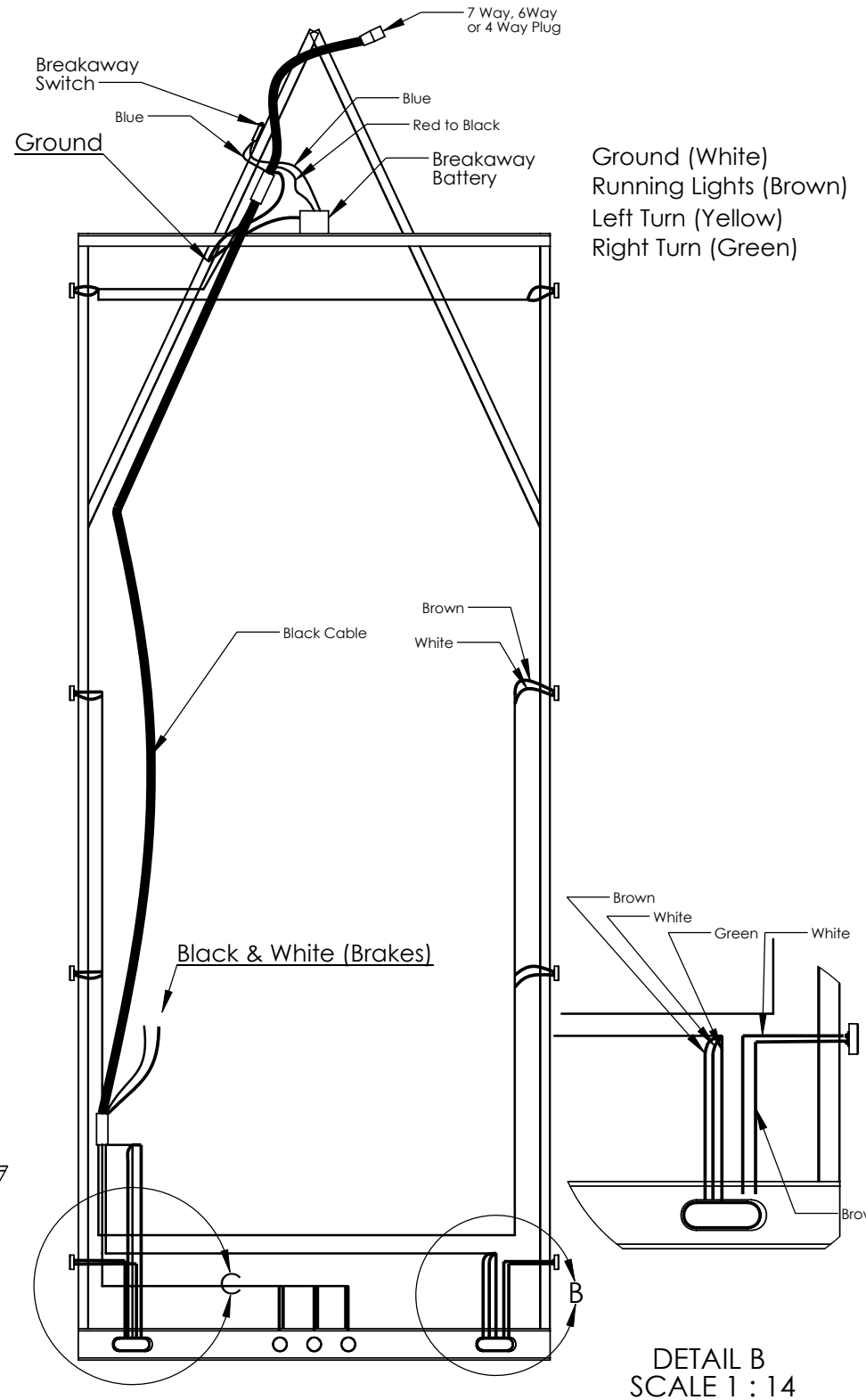
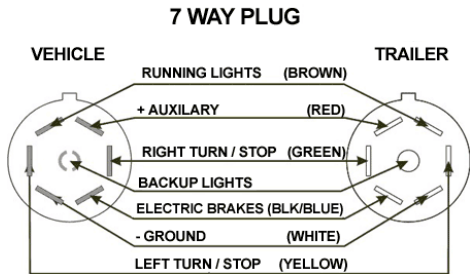
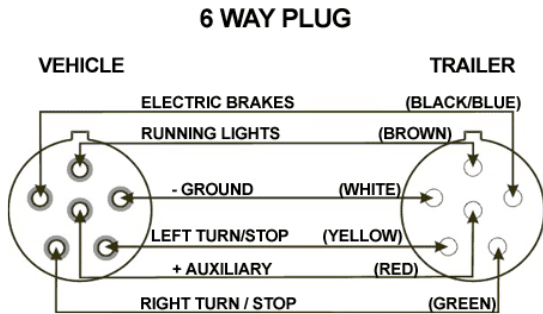
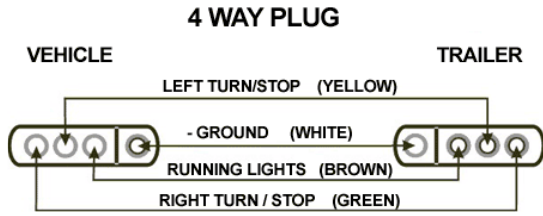
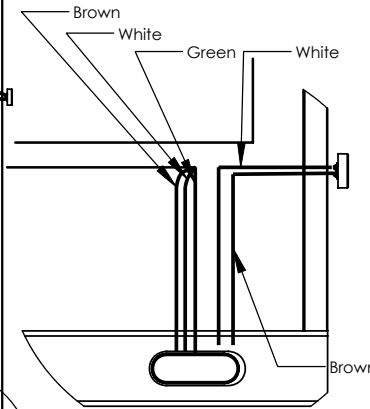


PJ TRAILERS - UTILITY TRAILER WIRING DIAGRAM



DETAIL C
SCALE 1 : 14



DETAIL B
SCALE 1 : 14